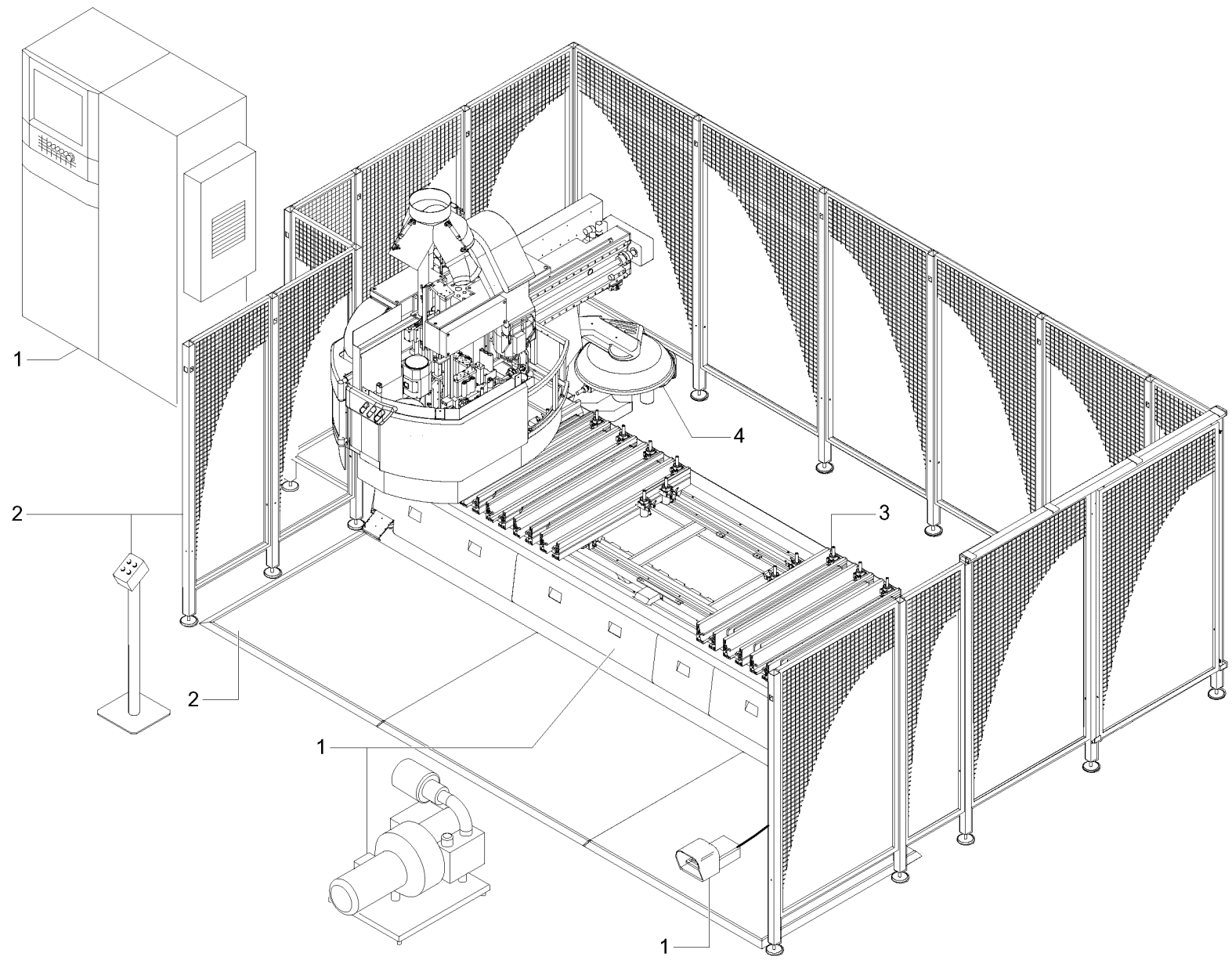
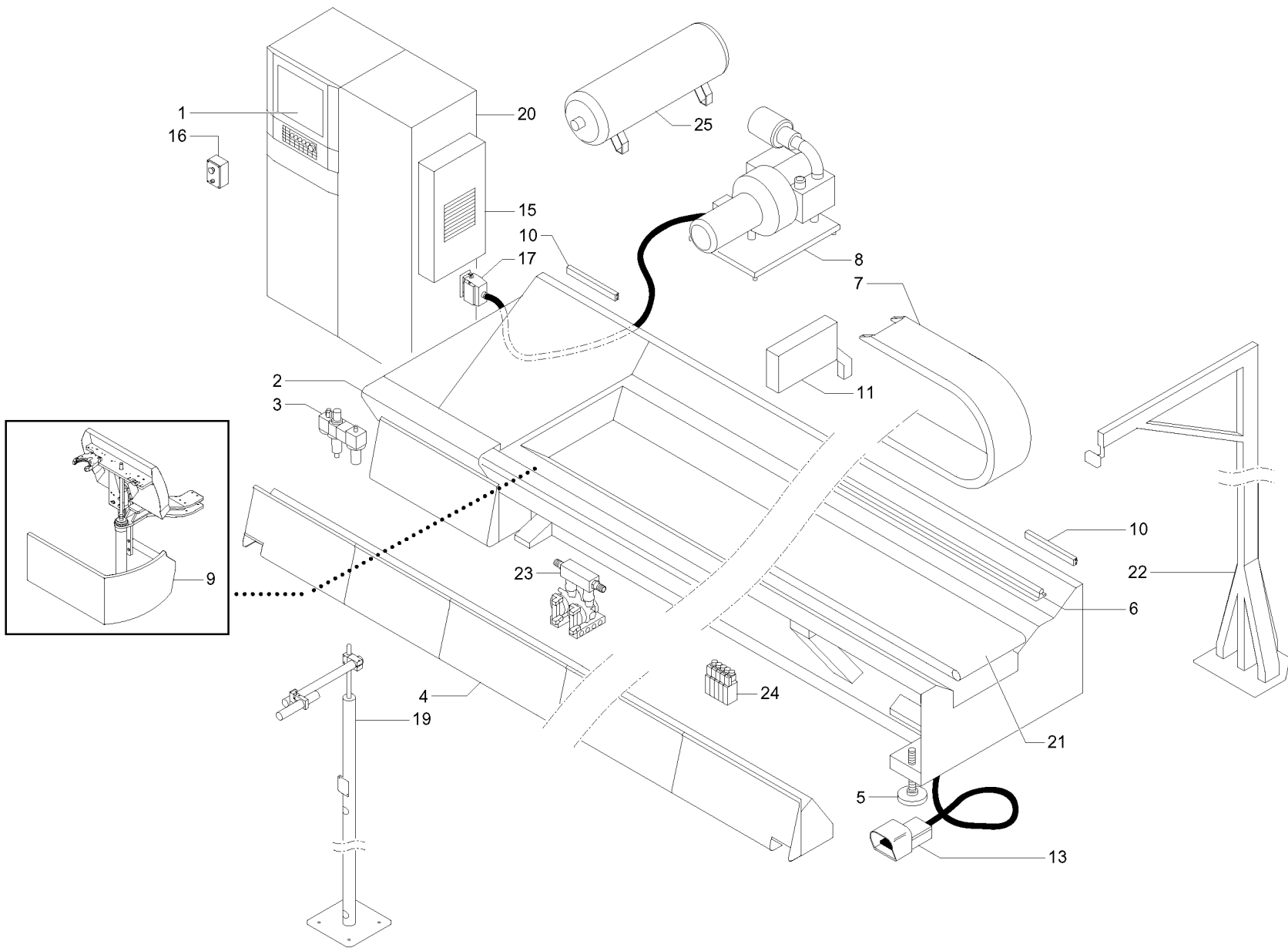


- 1 03210A13
- 2 03213A02
- 3 03219A06
- 4 03237A01



02041A01 - GENERAL FIGURE INDEX - 40190 - ROVER 22/24

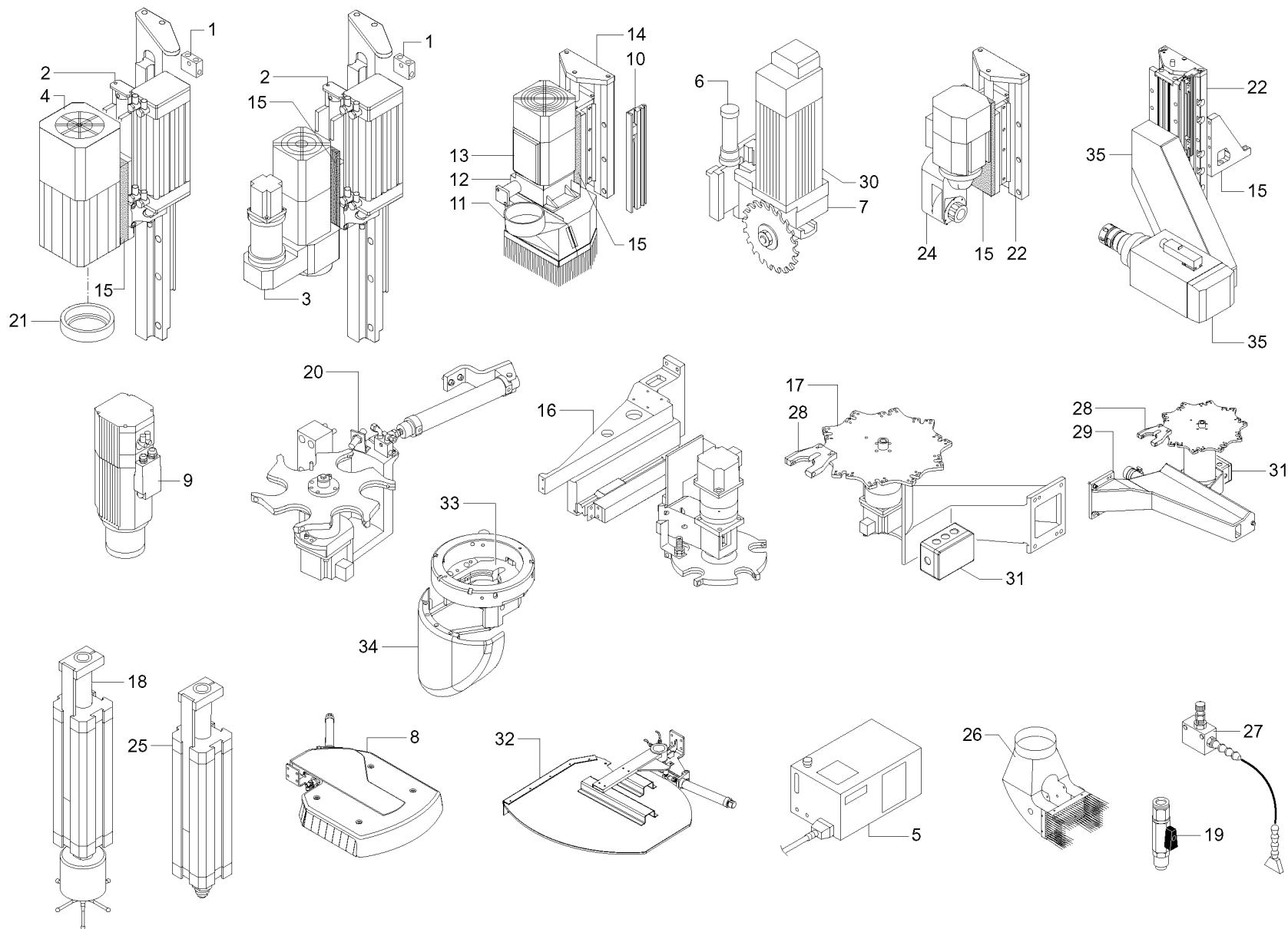
POSITION	DRAWING/COMPONENT	DESCRIPTION
1	03210A13	BASE ASSEMBLY
2	03213A02	GUARDS ASSEMBLY
3	03219A06	WORK TABLES ASSEMBLY
4	03237A01	OPERATING SECTION



- 1 P0021A05
- 2 A0224A02
- 3 N0157A01
- 4 A0164A07
- 5 A0135A00
- 6 A0225A00 - ATS
- 6 A0230A00 - EPS
- 7 B0383A00
- 8 N0211A00
- 9 C0668A00 - PICK-UP
- 10 B0303A01
- 11 B0299A02
- 13 M0105A00
- 15 P0050A00
- 16 H0165A00
- 17 P0028A01
- 19 M0125A02
- 21 D0139A02
- 22 M0126A01
- 23 N0226A00 - 90 M3/H
- 23 N0227A00 - 250 M3/H
- 24 N0219A02
- 25 N0231A01

03210A13 - BASE ASSEMBLY - 40190 - ROVER 22/24

POSITION	DRAWING/COMPONENT	DESCRIPTION
1	P0021A05	CONTROL MODULE UNIT
2	A0224A02	BASE
3	N0157A01	MAIN FILTER
4	A0164A07	CASING
5	A0135A00	FOOT
6	A0225A00	WORK TABLE DRIVE - ATS
6	A0230A00	WORK TABLE DRIVE - EPS
7	B0383A00	X AXIS CABLE-HOLDER CHAIN
8	N0211A00	VACUUM PUMP
9	C0668A00	TOOL MAGAZINE - PICK-UP
10	B0303A01	X AXIS LIMIT SWIT
11	B0299A02	X AXIS CABLE-HOLDER CHAIN
13	M0105A00	CONTROL PEDAL
15	P0050A00	AIR CONDITIONER
16	H0165A00	OVERRIDE
17	P0028A01	CONNECTOR
19	M0125A02	LASER
21	D0139A02	CHIP CONVEYOR
22	M0126A01	LASER
23	N0226A00	VACUUM SYSTEM - 90 M3/H
23	N0227A00	VACUUM SYSTEM - 250 M3/H
24	N0219A02	ELECTROVALVE
25	N0231A01	AIR TANK



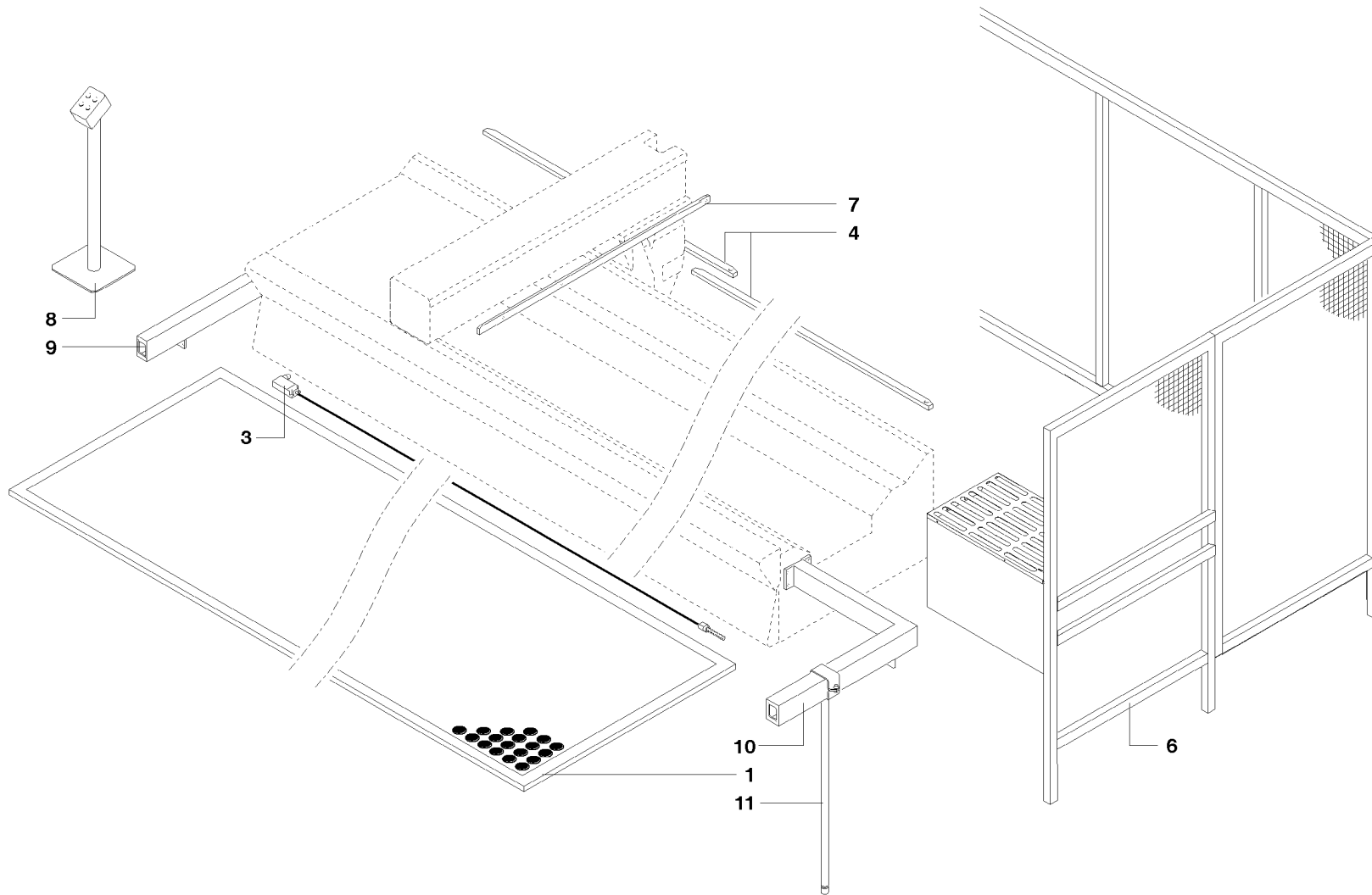
1	L0128A01
2	C0493A06 - 165+165+77
3	C0404A05
4	C0491A04
5	N0201A00
6	C0558A01
7	C0494A02
8	A0167A03
9	C0516A03
10	C0466A00
11	G0063A01
12	C0600A00 - D=180 mm
13	C0273A06 - D=180 mm
14	C0275A08
15	C0530A02
16	C0532A06
17	C0524A03
18	N0159A03
19	N0178A02
20	C0526A03
21	C0603A02
22	C0398A04
23	C0437A01
24	N0029A07
25	G0097A00
26	N0110A01
27	N0110A01
28	C0518A01
29	C0525A04
30	C0092A02
31	M0188A00
32	A0243A01
33	B0415A00
34	G0146A00
35	C0664A00

03212A19 - OPERATING SECTION DEVICES - 40190 - ROVER 22/24

POSITION	DRAWING/COMPONENT	DESCRIPTION
1	L0128A01	DISTRIBUTOR
2	C0493A06	SLIDING UNIT - 165+165+77
3	C0404A05	AGGREGATE ORIENTATION DEVICE
4	C0491A04	ELECTROSPINDLE
5	N0201A00	REFRIGERATOR
6	C0558A01	VERTICAL MOVEMENT
7	C0494A02	AGGREGATE
8	A0167A03	TOOL MAGAZINE CASING
9	C0516A03	ELECTROSPINDLE
10	C0466A00	SENSOR CONTROL UNIT
11	G0063A01	SUCTION
12	C0600A00	MILLING UNIT - D=180 MM
13	C0273A06	ELECTROSPINDLE - D=180 MM
14	C0275A08	SLIDE UNIT
15	C0530A02	PLATE
16	C0532A06	TOOL MAGAZINE
17	C0524A03	TOOL MAGAZINE
18	N0159A03	RENISHAW THICKNESS TRACER
19	N0178A02	BLOWER
20	C0526A03	TOOL MAGAZINE
21	C0603A02	FLANGE
22	C0398A04	SLIDE UNIT
24	C0437A01	HORIZONTAL ELECTROSPINDLE UNIT
25	N0029A07	THICKNESS TRACER
26	G0097A00	SUCTION
27	N0110A01	BLOWER
28	C0518A01	TOOL HOLDER COLLET
29	C0525A04	TOOL MAGAZINE
30	C0092A02	MOTOR UNIT
31	M0188A00	CONNECTOR BLOCK
32	A0243A01	TOOL MAGAZINE CASING

03212A19 - OPERATING SECTION DEVICES - 40190 - ROVER 22/24

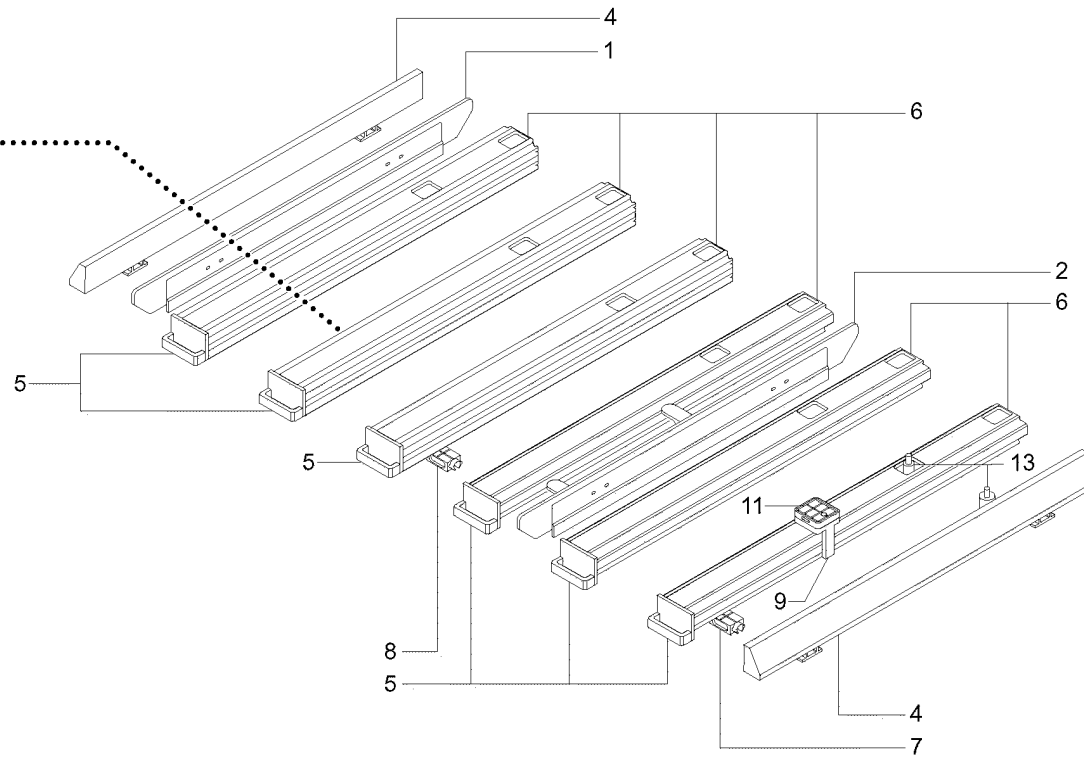
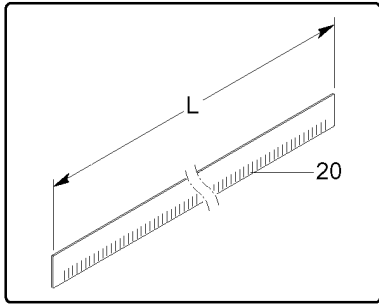
POSITION	DRAWING/COMPONENT	DESCRIPTION
33	B0415A00	COLLET
34	G0146A00	CHIP DEFLECTOR
35	C0664A00	HORIZONTAL MILLING UNIT



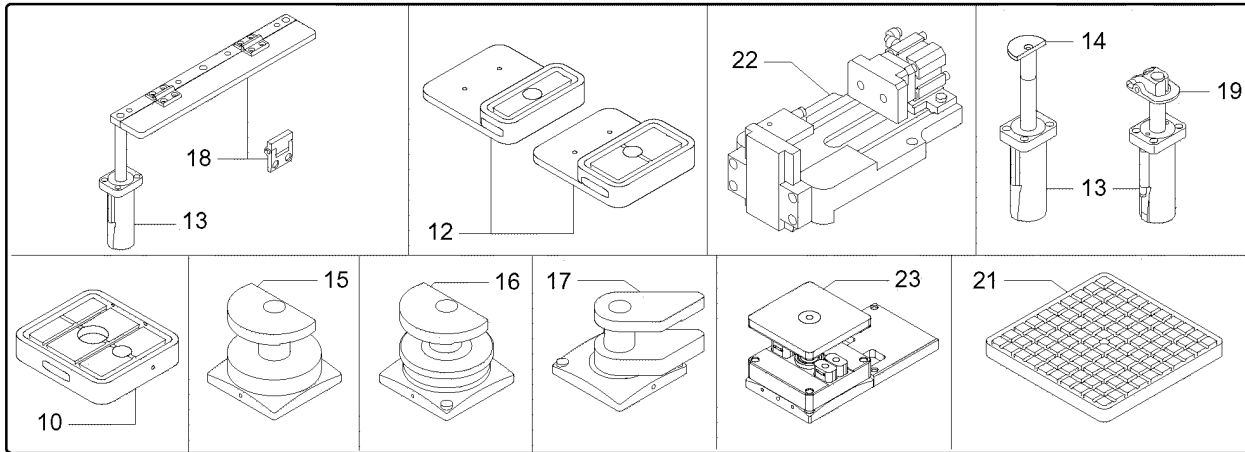
- 1 H0226A00 - S
- 1 H0242A00 - L
- 1 H0243A00 - XL
- 3 H0003A04
- 4 H0157A01
- 6 H0164A02 - S
- 6 H0169A00 - XL
- 6 H0173A00 - L
- 6 H0222A00 - CE S
- 6 H0237A00 - CE L
- 6 H0238A00 - CE XL
- 7 H0153A02
- 8 H0141A03
- 9 H0159A03
- 10 H0160A02
- 11 B0355A00

03213A02 - GUARDS ASSEMBLY - 40190 - ROVER 22/24

POSITION	DRAWING/COMPONENT	DESCRIPTION
1	H0226A00	CONTACT MAT - S
1	H0242A00	CONTACT MAT - L
1	H0243A00	CONTACT MAT - XL
3	H0003A04	EMERGENCY DEVICE
4	H0157A01	SAFETY LIMIT SWITCH
6	H0164A02	PERIMETER GUARD - S
6	H0169A00	PERIMETER GUARD - XL
6	H0173A00	PERIMETER GUARD - L
6	H0222A00	PERIMETER GUARD - CE S
6	H0237A00	GUARDS ASSEMBLY - CE L
6	H0238A00	GUARDS ASSEMBLY - CE XL
7	H0153A02	LIMIT SWITCH
8	H0141A03	BUTTON PAD
9	H0159A03	PHOTOELECTRIC CELL BARRIER
10	H0160A02	PHOTOELECTRIC CELL BARRIER
11	B0355A00	SUPPORT

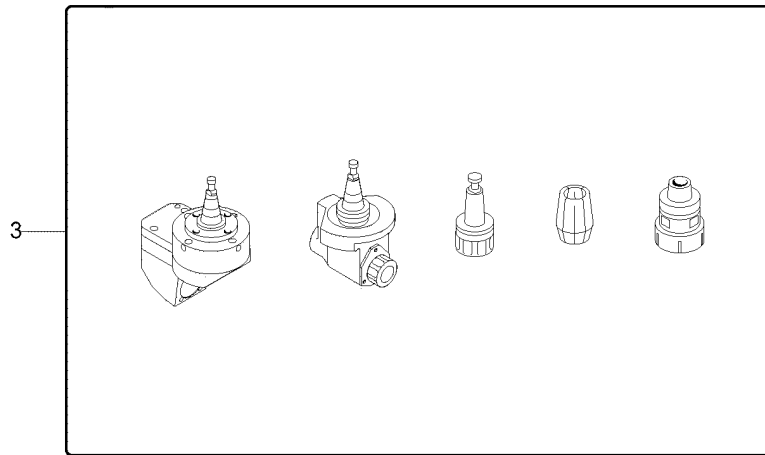
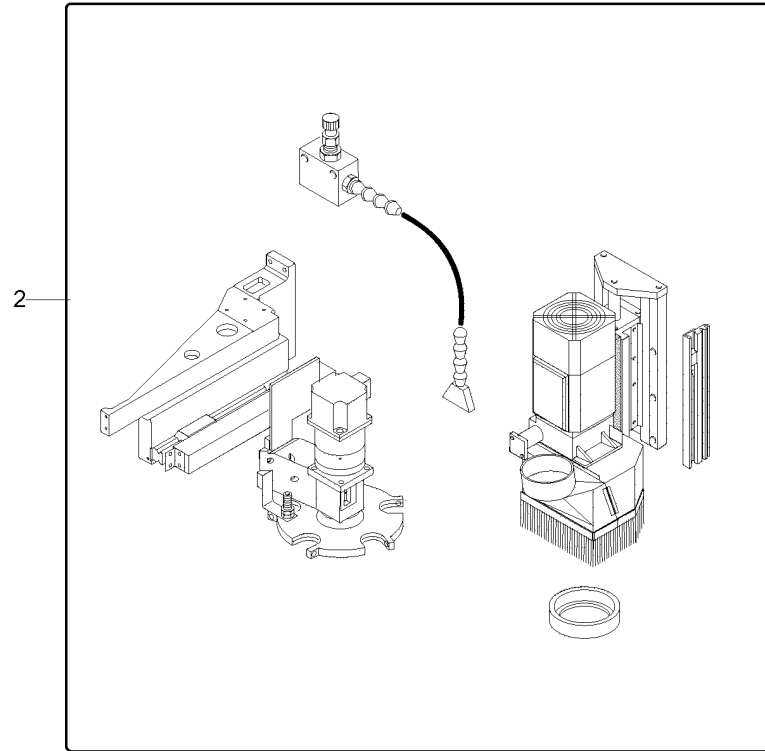
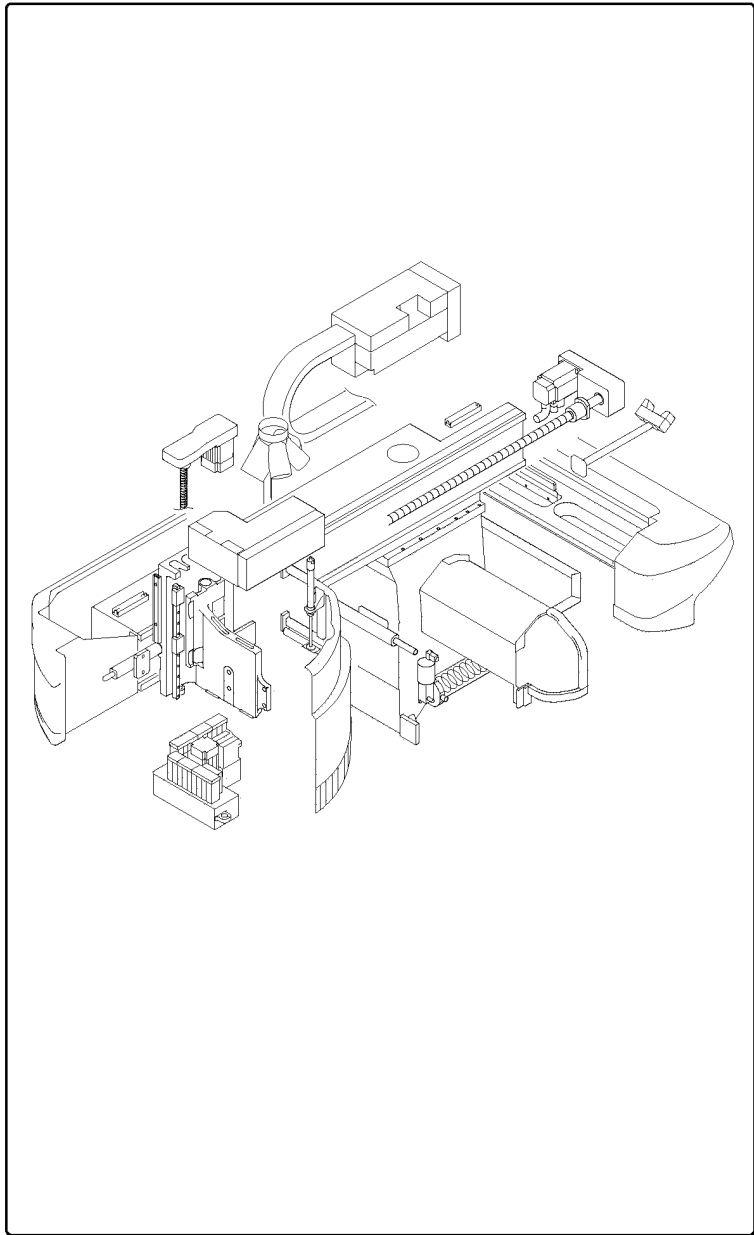


- 1 D0134A01 - RV22
- 1 D0155A00 - RV24
- 2 D0135A02 - RV22
- 2 D0156A00 - RV24
- 4 E0192A05
- 5 E0270A02
- 6 E0278A01 - EPS
- 6 E0279A01 - ATS
- 7 E0237A02
- 7 E0256A02 - ATS
- 8 E0238A01 - EPS
- 8 E0257A03 - ATS
- 9 E0259A02
- 10 E0198A02
- 11 E0199A02
- 12 E0200A02
- 13 E0210A03
- 14 E0202A02
- 15 E0203A03
- 16 E0204A04
- 17 E0247A01
- 18 E0206A02
- 19 E0258A00
- 20 E0273A00
- 21 E0232A00
- 22 E0233A01
- 23 E0281A01



03219A06 - WORK TABLES ASSEMBLY - 40190 - ROVER 22/24

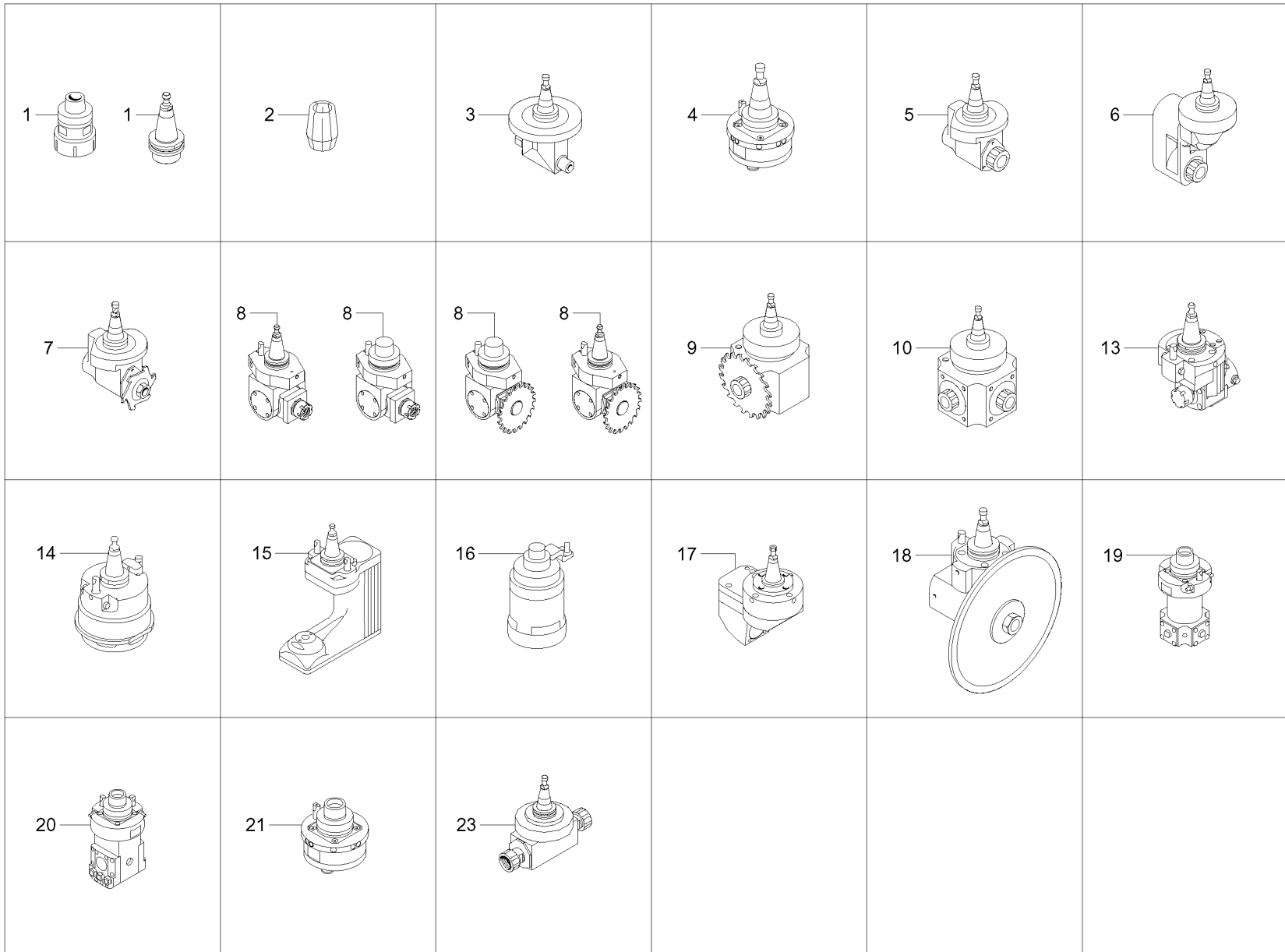
POSITION	DRAWING/COMPONENT	DESCRIPTION
1	D0134A01	LOADING-UNLOADING DEVICE - RV22
1	D0155A00	LOADER/UNLOADER ASSEMBLY - RV24
2	D0135A02	LOADING-UNLOADING DEVICE - RV22
2	D0156A00	LOADER/UNLOADER ASSEMBLY - RV24
4	E0192A05	SIDE WORK TABLE
5	E0270A02	HANDLE
6	E0278A01	WORK TABLE - EPS
6	E0279A01	WORK TABLE - ATS
7	E0237A02	WORK TABLE LOCKING
7	E0256A02	WORK TABLE LOCKING - ATS
8	E0238A01	WORK TABLE LOCKING - EPS
8	E0257A03	WORK TABLE LOCKING - ATS
9	E0259A02	SHAPEABLE SUCTION CUP
10	E0198A02	SHAPEABLE SUCTION CUP
11	E0199A02	SHAPEABLE SUCTION CUP
12	E0200A02	SHAPEABLE SUCTION CUP
13	E0210A03	STOP
14	E0202A02	STOP
15	E0203A03	STOP
16	E0204A04	CLAMP
17	E0247A01	STOP
18	E0206A02	STOP
19	E0258A00	STOP
20	E0273A00	MILLIMETRE RULE
21	E0232A00	SHAPEABLE SUCTION CUP
22	E0233A01	STOP
23	E0281A01	CLAMP



- 1 03254A01
- 2 03212A19
- 3 03250A03

03237A01 - OPERATING SECTION - 40190 - ROVER 22/24

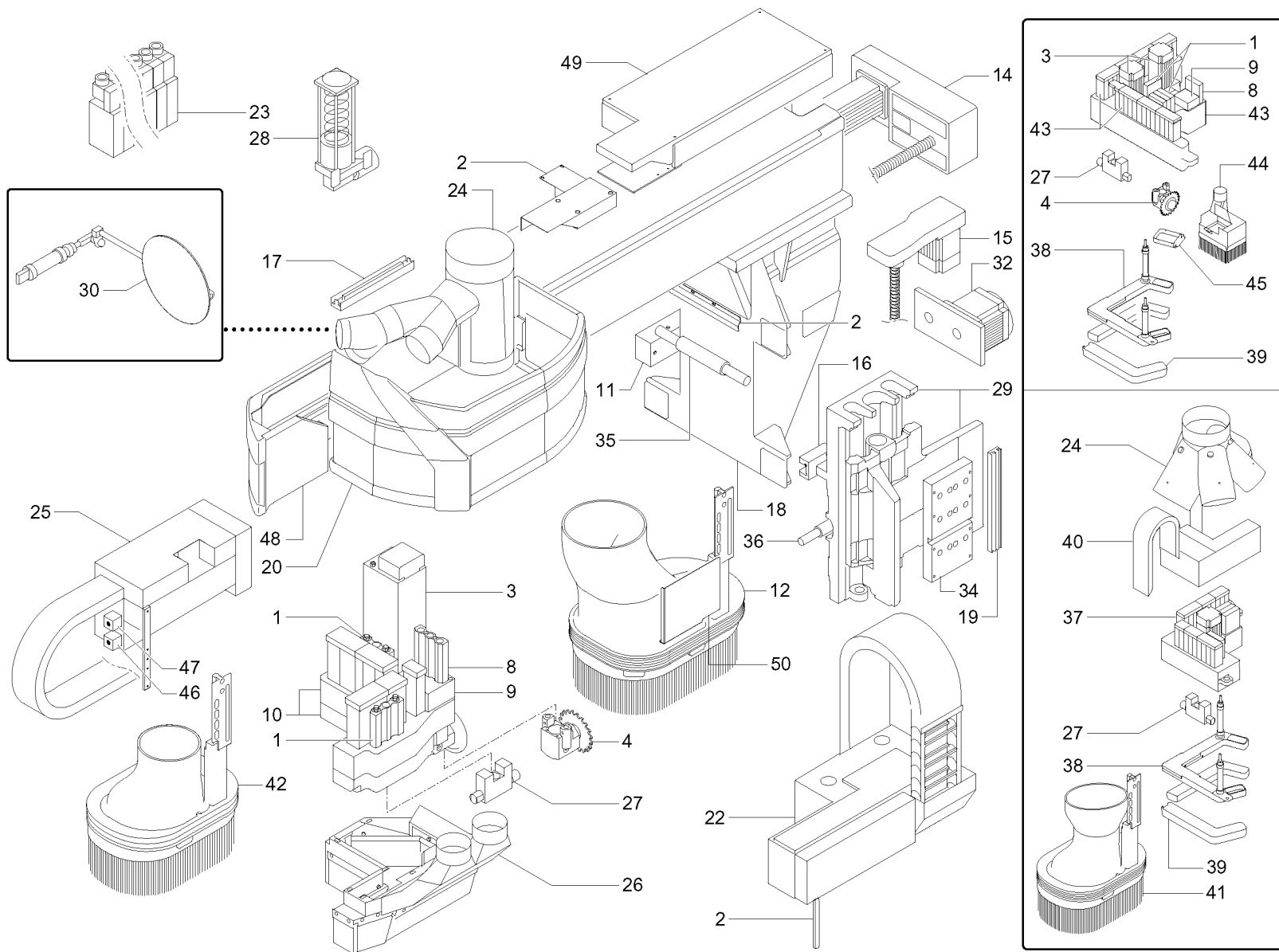
POSITION	DRAWING/COMPONENT	DESCRIPTION
1	03254A01	OPERATING SECTION
2	03212A19	OPERATING SECTION DEVICES
3	03250A03	OPERATING SECTION DEVICES



- 1 C0597A02
- 2 C0270A01
- 3 C0260A05 - HSK F63
- 4 C0262A07 - ISO 30
- 5 C0271A06
- 6 C0394A07
- 7 C0259A04 - D=120
- 7 C0396A06 - D=150
- 8 C0631A00
- 9 C0427A06
- 10 C0428A06
- 13 C0599A00 - HSK F63
- 13 C0601A00 - ISO 30
- 14 C0587A01 - ISO 30
- 14 C0588A01 - HSK F63
- 15 C0585A00 - ISO 30
- 15 C0586A00 - HSK F63
- 16 C0569A01
- 17 C0528A00 - ISO 30
- 17 C0529A00 - HSK F63
- 18 C0458A03 - D=250
- 18 C0552A01 - HSK F63
- 19 C0624A00
- 20 C0627A00
- 21 C0630A00 - HSK F63

03250A03 - OPERATING SECTION DEVICES - 40190 - ROVER 22/24

POSITION	DRAWING/COMPONENT	DESCRIPTION
1	C0597A02	COLLET SPINDLE
2	C0270A01	ELASTIC COLLET
3	C0260A05	AGGREGATE - HSK F63
4	C0262A07	AGGREGATE - ISO 30
5	C0271A06	AGGREGATE
6	C0394A07	AGGREGATE
7	C0259A04	AGGREGATE - D=120
7	C0396A06	AGGREGATE - D=150
8	C0631A00	AGGREGATE
9	C0427A06	AGGREGATE
10	C0428A06	AGGREGATE
13	C0599A00	AGGREGATE - HSK F63
13	C0601A00	AGGREGATE - ISO 30
14	C0587A01	COPIER - ISO 30
14	C0588A01	COPIER - HSK F63
15	C0585A00	AGGREGATE - ISO 30
15	C0586A00	AGGREGATE - HSK F63
16	C0569A01	COPIER
17	C0528A00	AGGREGATE - ISO 30
17	C0529A00	AGGREGATE - HSK F63
18	C0458A03	AGGREGATE - D=250
18	C0552A01	AGGREGATE - HSK F63
19	C0624A00	AGGREGATE
20	C0627A00	AGGREGATE
21	C0630A00	AGGREGATE - HSK F63



1	C0446A01
2	A0208A01
3	C0092A02
4	C0334A04
8	C0465A05
9	C0464A01
10	C0502A04 - BH20
10	C0612A00
11	N0180A01
12	G0124A02
14	M0160A00
15	M0161A00
16	B0298A02
17	B0302A00
18	B0356A01
19	B0289A00
20	A0226A00 - NO REVOLVE..
20	A0231A00 - REVOLVER 7P
22	B0371A00
23	N0219A02
23	N0272A00 - BALLUFF
24	G0110A02
25	B0372A00 - ATS
25	B0403A01 - EPS
26	G0092A01
27	C0108A07
28	N0139A07
29	B0314A01
30	G0087A03
32	M0159A01
34	C0507A00
35	B0310A00
36	B0311A00
37	C0450A03 - BH28
37	C0611A00
38	C0423A03
39	G0074A00
40	B0292A05
41	G0114A02
42	G0113A02
43	C0463A03
44	G0075A00
46	H0246A00
47	H0247A00
48	A0227A00
49	B0404A01
50	A0244A00

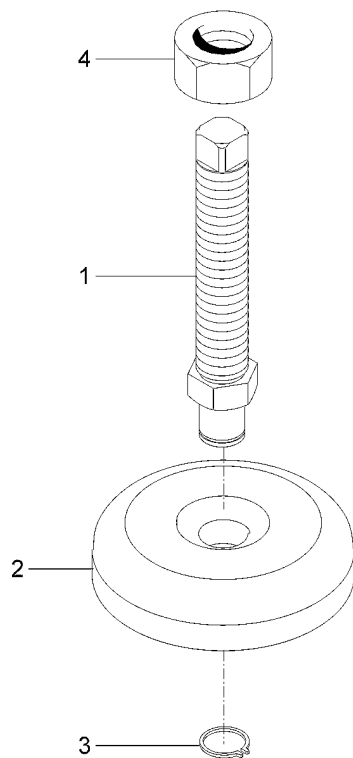
03254A01 - OPERATING SECTION - 40190 - ROVER 22/24

POSITION	DRAWING/COMPONENT	DESCRIPTION
1	C0446A01	SLIDING UNIT
2	A0208A01	CASING
3	C0092A02	MOTOR UNIT
4	C0334A04	MILLING CUTTER
8	C0465A05	SLIDING UNIT
9	C0464A01	BORING UNIT
10	C0502A04	BORING UNIT - BH20
10	C0612A00	SPINDLE BOX
11	N0180A01	DISTRIBUTOR
12	G0124A02	SUCTION MANIFOLD
14	M0160A00	AXIS Y DRIVE
15	M0161A00	AXIS Z DRIVE
16	B0298A02	Y-Z AXIS DRIVE
17	B0302A00	Y AXIS LIMIT SWITCH
18	B0356A01	CARRIAGE UNIT
19	B0289A00	Z-AXIS LIMIT SWITCH
20	A0226A00	HEAD CASING - NO REVOLVER 7P
20	A0231A00	HEAD CASING - REVOLVER 7P
22	B0371A00	Z AXIS CABLE-HOLDER CHAIN
23	N0219A02	ELECTROVALVE
23	N0272A00	ELECTROVALVE - BALLUFF
24	G0110A02	SUCTION
25	B0372A00	Y AXIS BOX - ATS
25	B0403A01	Y AXIS BOX - EPS
26	G0092A01	SUCTION
27	C0108A07	HORIZONTAL BORING CHUCK
28	N0139A07	LUBRICATION SYSTEM
29	B0314A01	CARRIAGE UNIT
30	G0087A03	SUCTION
32	M0159A01	X AXIS DRIVE
34	C0507A00	PLATE

03254A01 - OPERATING SECTION - 40190 - ROVER 22/24

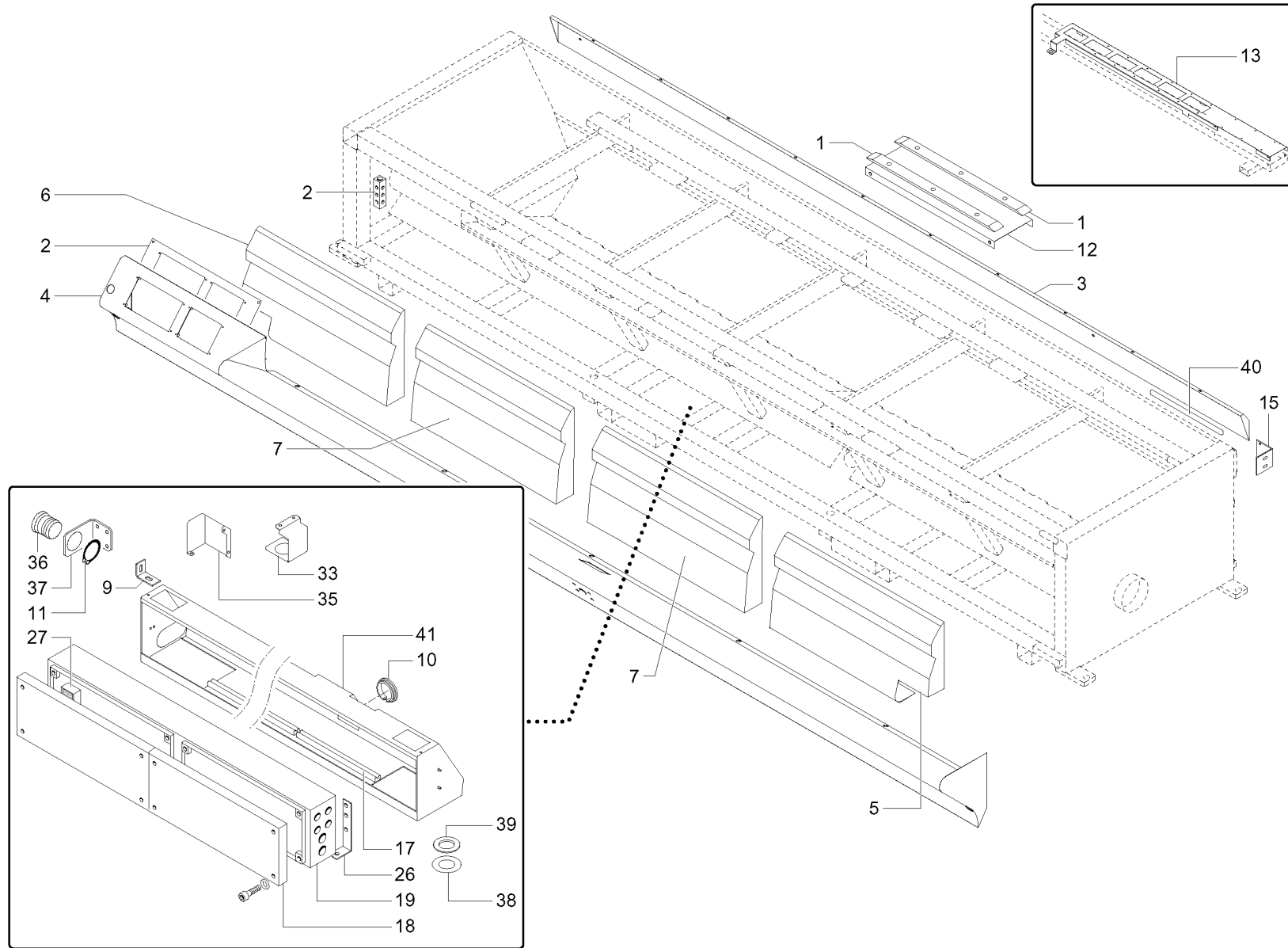
POSITION	DRAWING/COMPONENT	DESCRIPTION
35	B0310A00	DECELERATOR
36	B0311A00	DECELERATOR
37	C0450A03	BORING UNIT - BH28
37	C0611A00	SPINDLE BOX
38	C0423A03	SUCTION
39	G0074A00	SUCTION
40	B0292A05	CABLE RACEWAYS
41	G0114A02	SUCTION
42	G0113A02	SUCTION
43	C0463A03	BORING UNIT
44	G0075A00	SUCTION
46	H0246A00	BUTTON PAD
47	H0247A00	BUTTON PAD
48	A0227A00	SIDE GUARD
49	B0404A01	CONNECTOR BLOCK
50	A0244A00	CASING

- 1 0814A0612 - L=120
- 2 0814A0055
- 3 302901100 - E 14
- 4 301620900 - M24X2



A0135A00 - FOOT - 40190 - ROVER 22/24

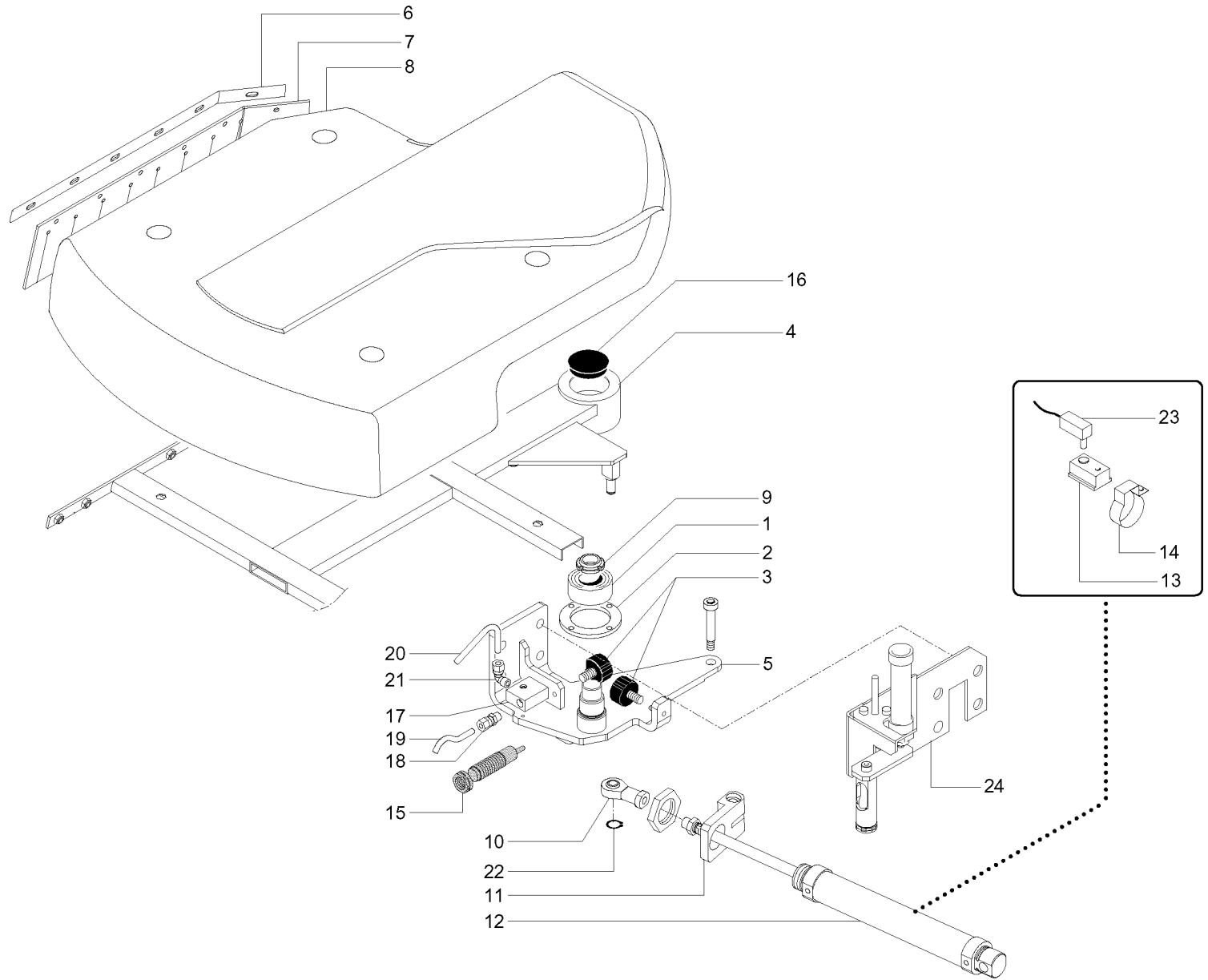
POSITION	DRAWING/COMPONENT	DESCRIPTION
1	0814A0612	SCREW - L=120
2	0814A0055	PLATE
3	302901100	SNAP RING - E 14
4	301620900	NUT - M24X2



2	N0240A00
3	1208A1035V - S
4	1208A1051V - S
5	1408A0232 - L=1000
6	1408A0233 - L=1000
7	1408A0234 - L=1000
7	1408A0236 - L=1100
9	1214A0550
10	1417A0016
11	302903200 - E 35
12	1208A0708V - S-L
15	1214A0319V
17	1212A0428V - S
18	1212A0179V - L=1050
19	1208A0586V - L=1040
26	131477902
27	0102D270A
27	P0037A01
36	0817A0088
37	1205A0688

A0164A07 - CASING - 40190 - ROVER 22/24

POSITION	DRAWING/COMPONENT	DESCRIPTION
2	N0240A00	DISTRIBUTOR
3	1208A1035V	CASING - S
4	1208A1051V	CASING - S
5	1408A0232	COVER - L=1000
6	1408A0233	COVER - L=1000
7	1408A0234	COVER - L=1000
7	1408A0236	COVER - L=1100
9	1214A0550	BRACKET
10	1417A0016	BUSHING
11	302903200	SNAP RING - E 35
12	1208A0708V	COVER - S-L
15	1214A0319V	PLATE
17	1212A0428V	BOX - S
18	1212A0179V	CONNECTOR BLOCK - L=1050
19	1208A0586V	COVER - L=1040
26	131477902	BRACKET
27	0102D270A	CARD
27	P0037A01	ELECTRONIC CARD
36	0817A0088	BUSHING
37	1205A0688	SUPPORT

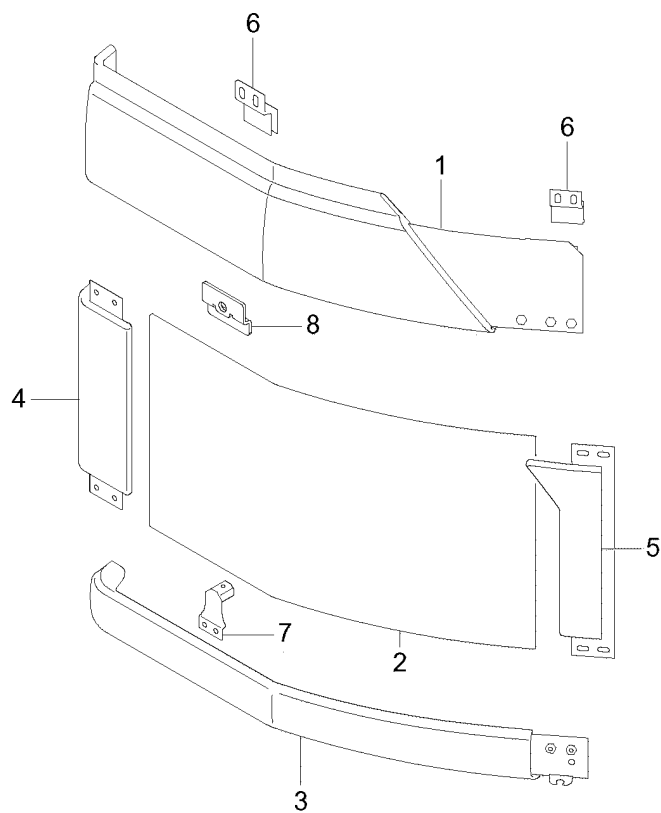


- 1 290400600 - 25-52-20,6
- 2 0801A0165
- 3 2018A0007
- 4 1203A0014 - 10 P
- 5 1205A0933 - 10P
- 6 1214A0508 - L=405
- 7 1408A0276 - L=403
- 8 1408A0275 - 10P
- 9 301700200 - M20X1
- 10 291901500 - RF10-M10X1,...
- 11 0905A1029
- 12 2420A0183
- 13 2164A0320
- 14 216405300
- 15 2164A0076
- 16 2403A0021 - D=44,5 DP-1..
- 17 091302800 - ISO 30
- 18 245050200 - D=6 F=1/8
- 19 2408A0012 - 10P
- 20 2408A0013 - 10P
- 21 245056200 - D=6 F=1/8
- 22 302900700 - E 10
- 23 C0665A00

A0167A03 - TOOL MAGAZINE CASING - 40190 - ROVER 22/24

POSITION	DRAWING/COMPONENT	DESCRIPTION
1	290400600	BEARING - 25-52-20,6
2	0801A0165	FLANGE
3	2018A0007	BUFFER
4	1203A0014	FRAME - 10 P
5	1205A0933	SUPPORT - 10P
6	1214A0508	PLATE - L=405
7	1408A0276	CURTAIN GUARD - L=403
8	1408A0275	CASING - 10P
9	301700200	RING NUT - M20X1
10	291901500	ARTICULATED JOINT - RF10-M10X1,25 DIN24335
11	0905A1029	SUPPORT
12	2420A0183	CYLINDER
13	2164A0320	SENSOR
14	216405300	HOSE CLAMP
15	2164A0076	PHOTOCELL
16	2403A0021	PLUG - D=44,5 DP-1750
17	091302800	BLOCK - ISO 30
18	245050200	CONNECTOR - D=6 F=1/8
19	2408A0012	PIPE - 10P
20	2408A0013	PIPE - 10P
21	245056200	CONNECTOR - D=6 F=1/8
22	302900700	RING - E 10
24	C0665A00	SUPPORT

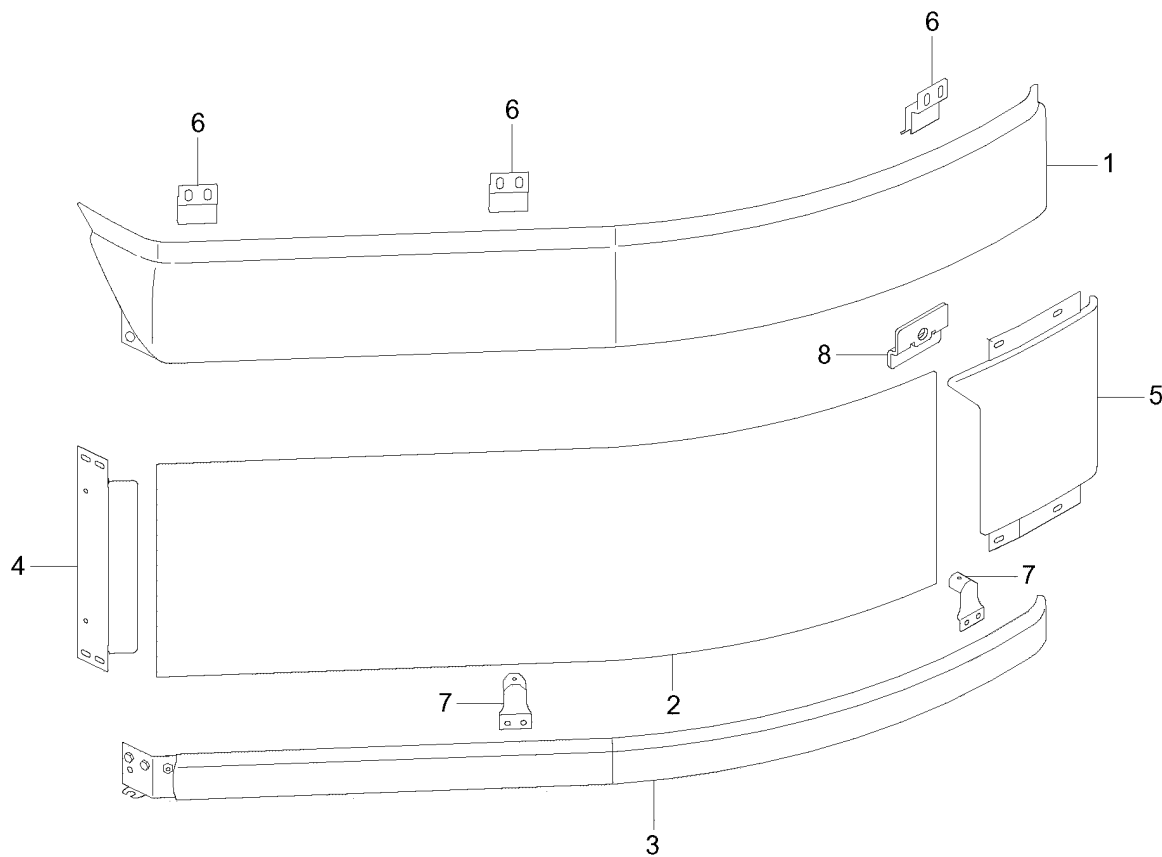
- 1 1605A0077
- 2 1408A0433
- 3 1605A0078
- 4 1605A0062
- 5 1605A0063
- 6 1214A0596
- 7 1214A0595
- 8 1214A0919V



A0198A01 - HEAD CASING - 40190 - ROVER 22/24

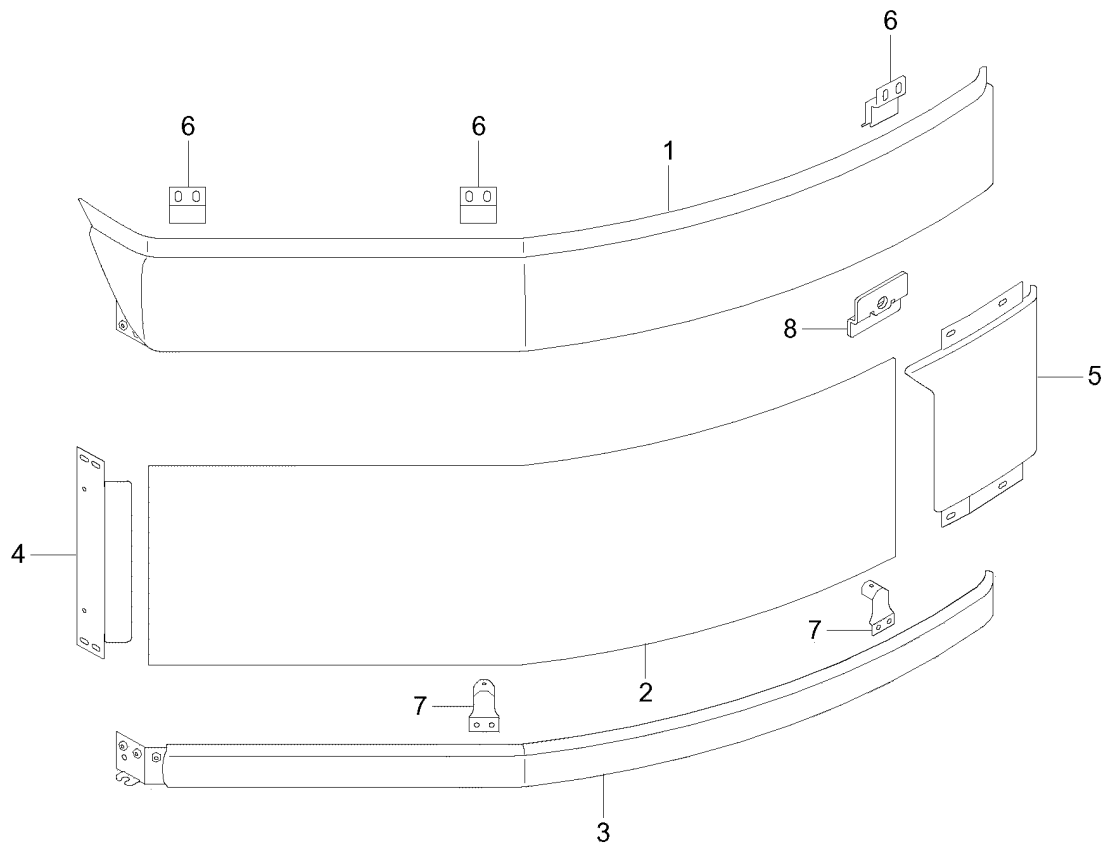
POSITION	DRAWING/COMPONENT	DESCRIPTION
1	1605A0077	SUPPORT
2	1408A0433	GUARD PANEL
3	1605A0078	SUPPORT
4	1605A0062	SUPPORT
5	1605A0063	SUPPORT
6	1214A0596	FIXING PLATE
7	1214A0595	FIXING PLATE
8	1214A0919V	PLATE

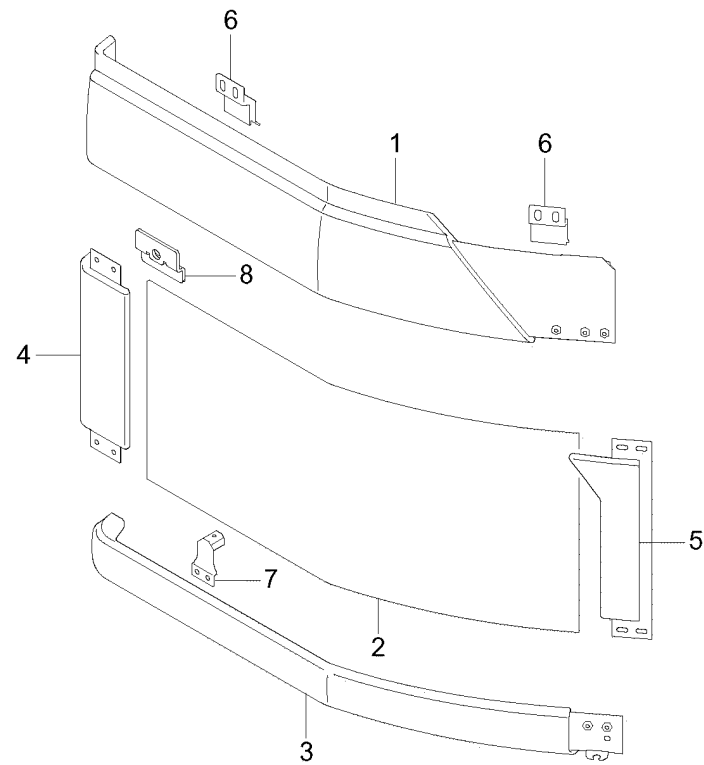
- 1 1605A0079
- 2 1408A0432
- 3 1605A0080
- 4 1605A0066
- 5 1605A0067
- 6 1214A0596
- 7 1214A0595
- 8 1214A0919V



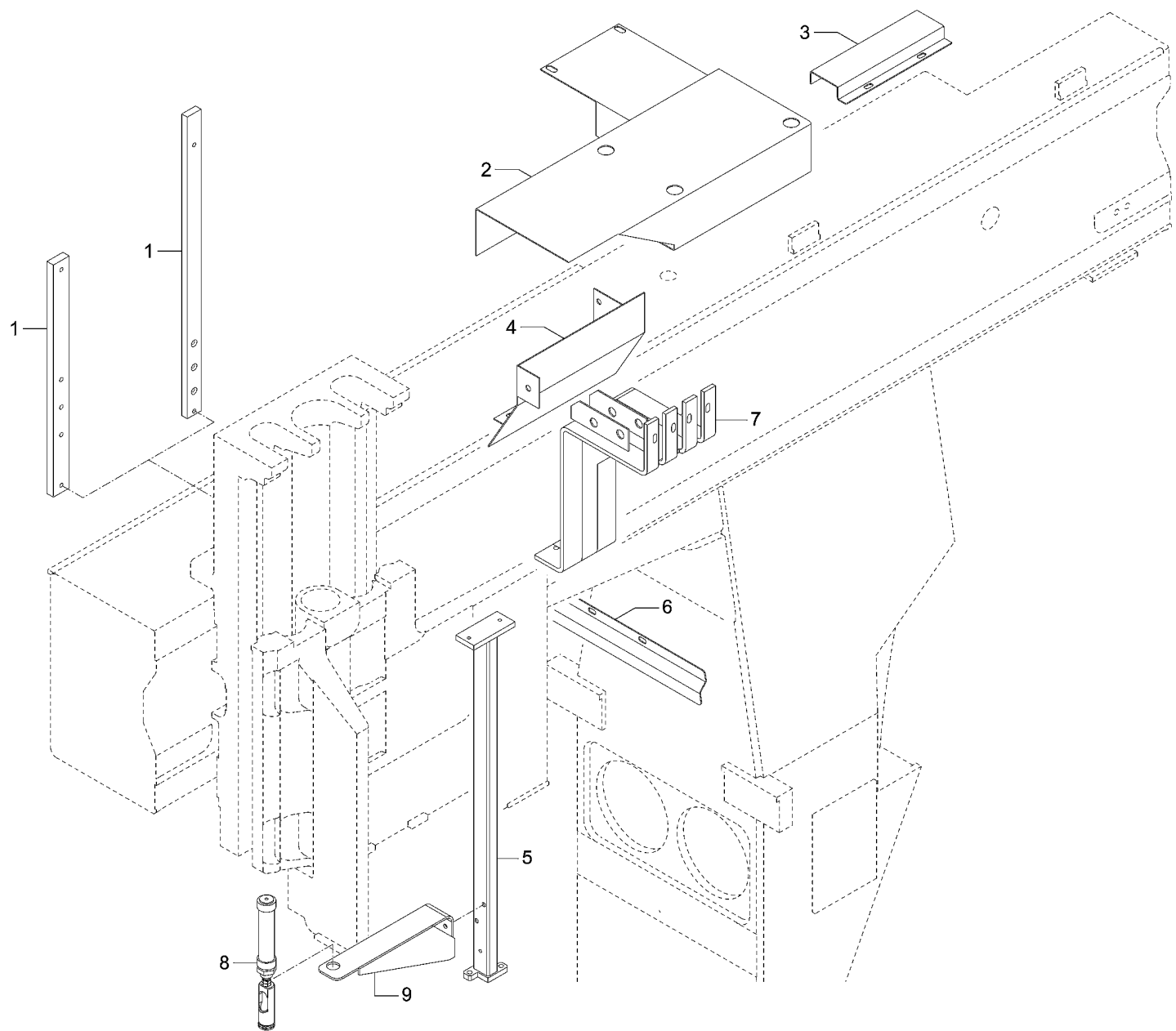
A0199A01 - HEAD CASING - 40190 - ROVER 22/24

POSITION	DRAWING/COMPONENT	DESCRIPTION
1	1605A0079	SUPPORT
2	1408A0432	GUARD PANEL
3	1605A0080	SUPPORT
4	1605A0066	SUPPORT
5	1605A0067	SUPPORT
6	1214A0596	FIXING PLATE
7	1214A0595	FIXING PLATE
8	1214A0919V	PLATE



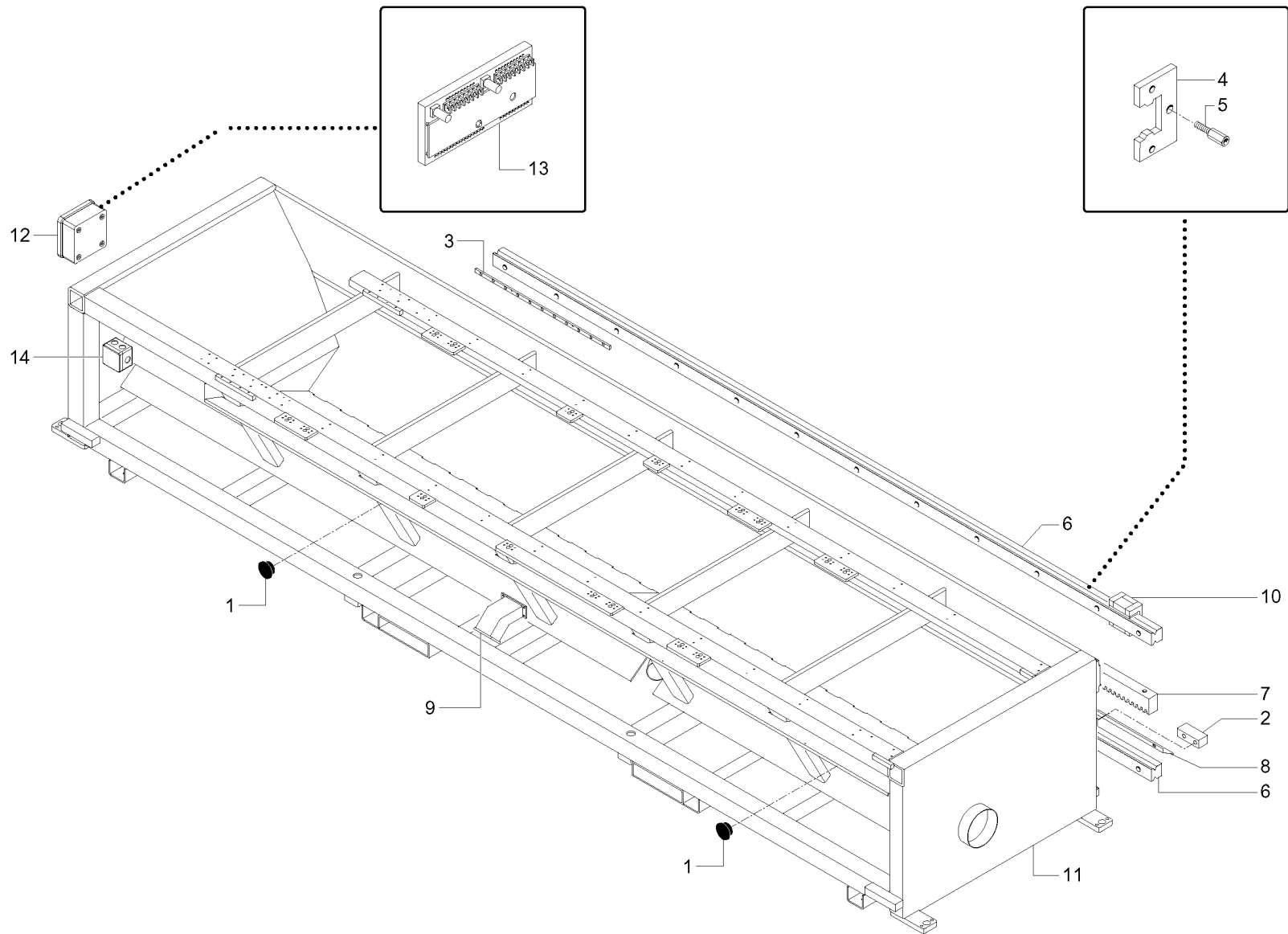


- 1 1214A0337 - ATS
- 2 1208A0930V
- 3 1208A0981V
- 4 1208A1082V
- 6 1208A0940V - L=450
- 8 C0666A00



A0208A01 - CASING - 40190 - ROVER 22/24

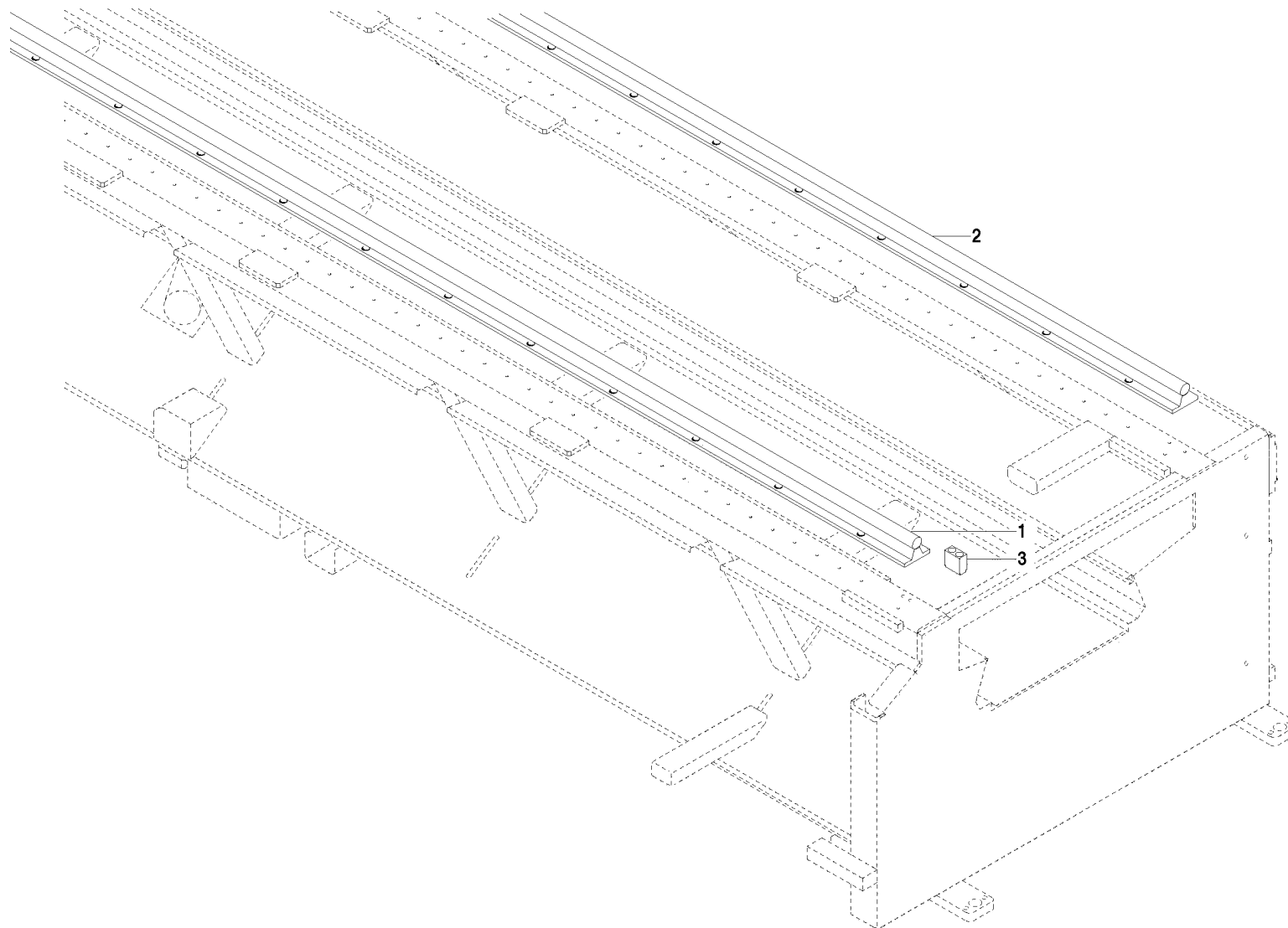
POSITION	DRAWING/COMPONENT	DESCRIPTION
1	1214A0337	BRACKET - ATS
2	1208A0930V	COVER
3	1208A0981V	CASING
4	1208A1082V	CASING
6	1208A0940V	CASING - L=450
8	C0666A00	BALLUFF DEVICE



- 1 140100210 - D=58mm
- 2 0814A0903
- 3 0802A0025
- 4 3120A0010 - H=25 mm
- 5 080662500 - H=23
- 6 2914A0415 - L=4095
- 7 081809300 - L=1320
- 9 1205A0644V
- 9 1208A1033V - S
- 10 2914A0142
- 11 1303A0165V - S-ATS

A0224A02 - BASE - 40190 - ROVER 22/24

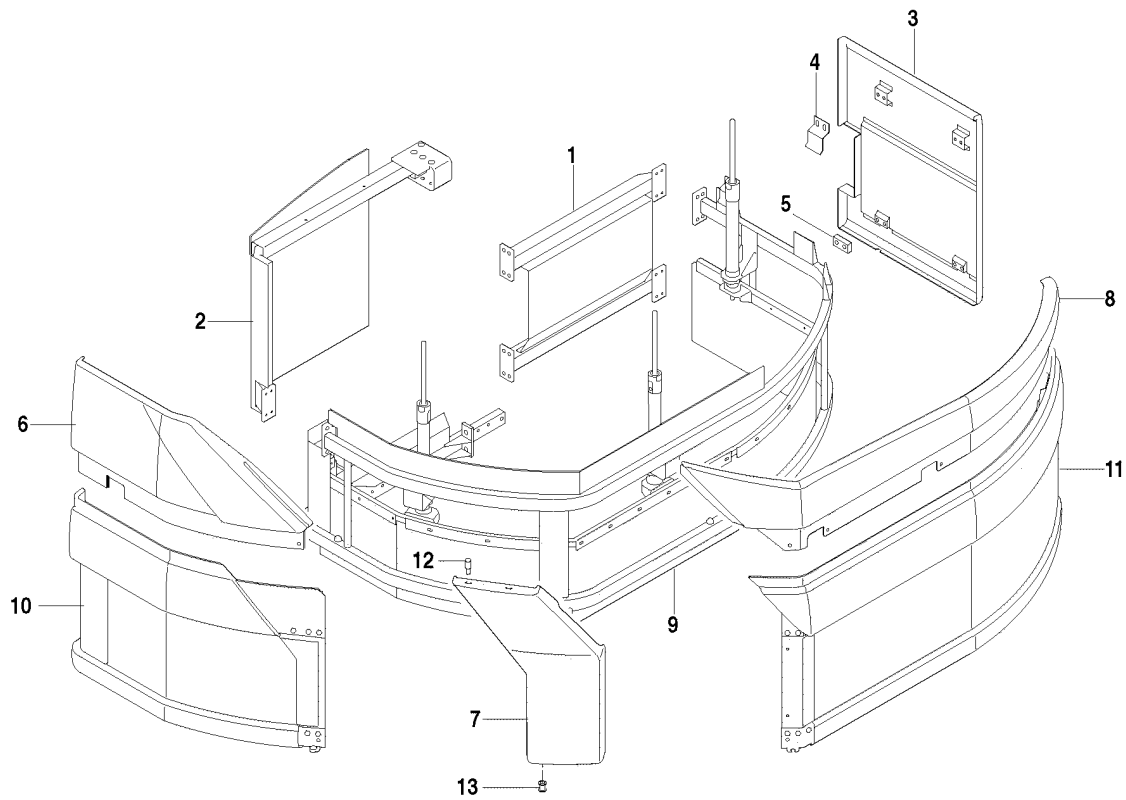
POSITION	DRAWING/COMPONENT	DESCRIPTION
1	140100210	PLUG - D=58MM
2	0814A0903	PLATE
3	0802A0025	GIB
4	3120A0010	SCRAPER - H=25 MM
5	080662500	SPACER - H=23
6	2914A0415	GUIDE - L=4095
7	081809300	RACK - L=1320
9	1205A0644V	SUPPORT
9	1208A1033V	COVER - S
10	2914A0142	SLIDE BLOCK
11	1303A0165V	BASE - S-ATS



- 1 1705A0143 - L=3018
- 2 1705A0091 - L=3018
- 3 0814A0774

A0225A00 - WORK TABLE DRIVE - ATS - 40190 - ROVER 22/24

POSITION	DRAWING/COMPONENT	DESCRIPTION
1	1705A0143	GUIDE - L=3018
2	1705A0091	GUIDE - L=3018
3	0814A0774	PLATE

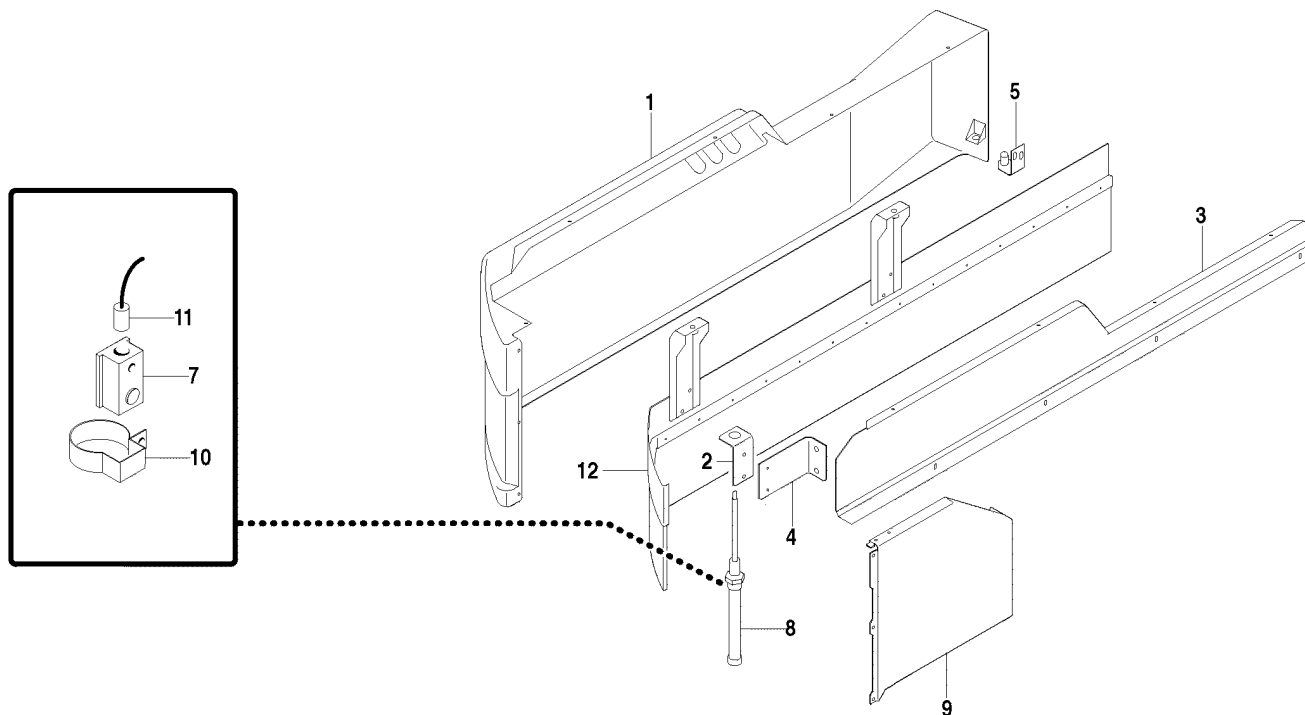


- 1 1205A0592V
- 2 1205A1058V
- 3 1208A1430V
- 4 1214A0596
- 5 0814A1042
- 6 1408A0325
- 7 1408A0312
- 8 1408A0326
- 9 A0232A00
- 10 A0198A01
- 11 A0199A01
- 12 0804A0235
- 13 0804A0236

A0226A00 - HEAD CASING - NO REVOLVER 7P - 40190 - ROVER 22/24

POSITION	DRAWING/COMPONENT	DESCRIPTION
1	1205A0592V	SUPPORT
2	1205A1058V	SUPPORT
3	1208A1430V	CASING
4	1214A0596	FIXING PLATE
5	0814A1042	BLOCK
6	1408A0325	CASING
7	1408A0312	CASING
8	1408A0326	CASING
9	A0232A00	SIDE GUARD
10	A0198A01	HEAD CASING
11	A0199A01	HEAD CASING
12	0804A0235	PIN
13	0804A0236	WASHER

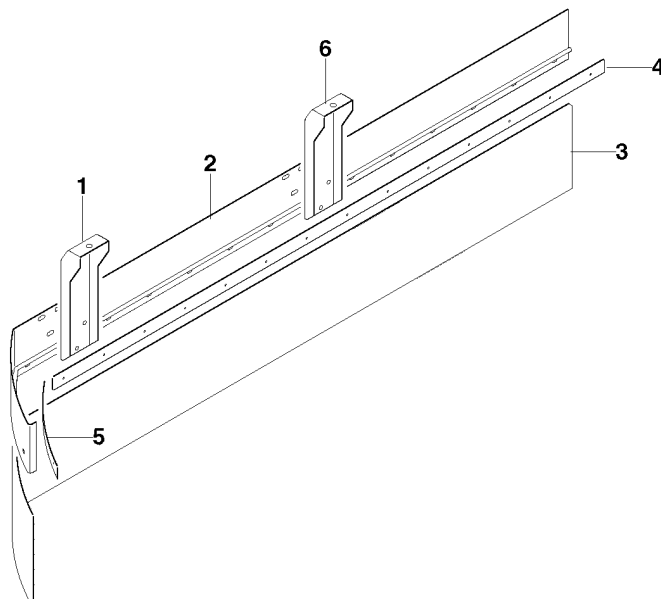
- 1 1408A0241V - ATS
- 2 1205A0606
- 3 1205A0797V - L=1626
- 4 1205A0608 - NO ASSE C
- 5 1214A0294
- 7 2164A0320
- 8 2420A1341
- 9 1205A0653V
- 10 2440A0232 - D=25
- 12 A0228A00



A0227A00 - SIDE GUARD - 40190 - ROVER 22/24

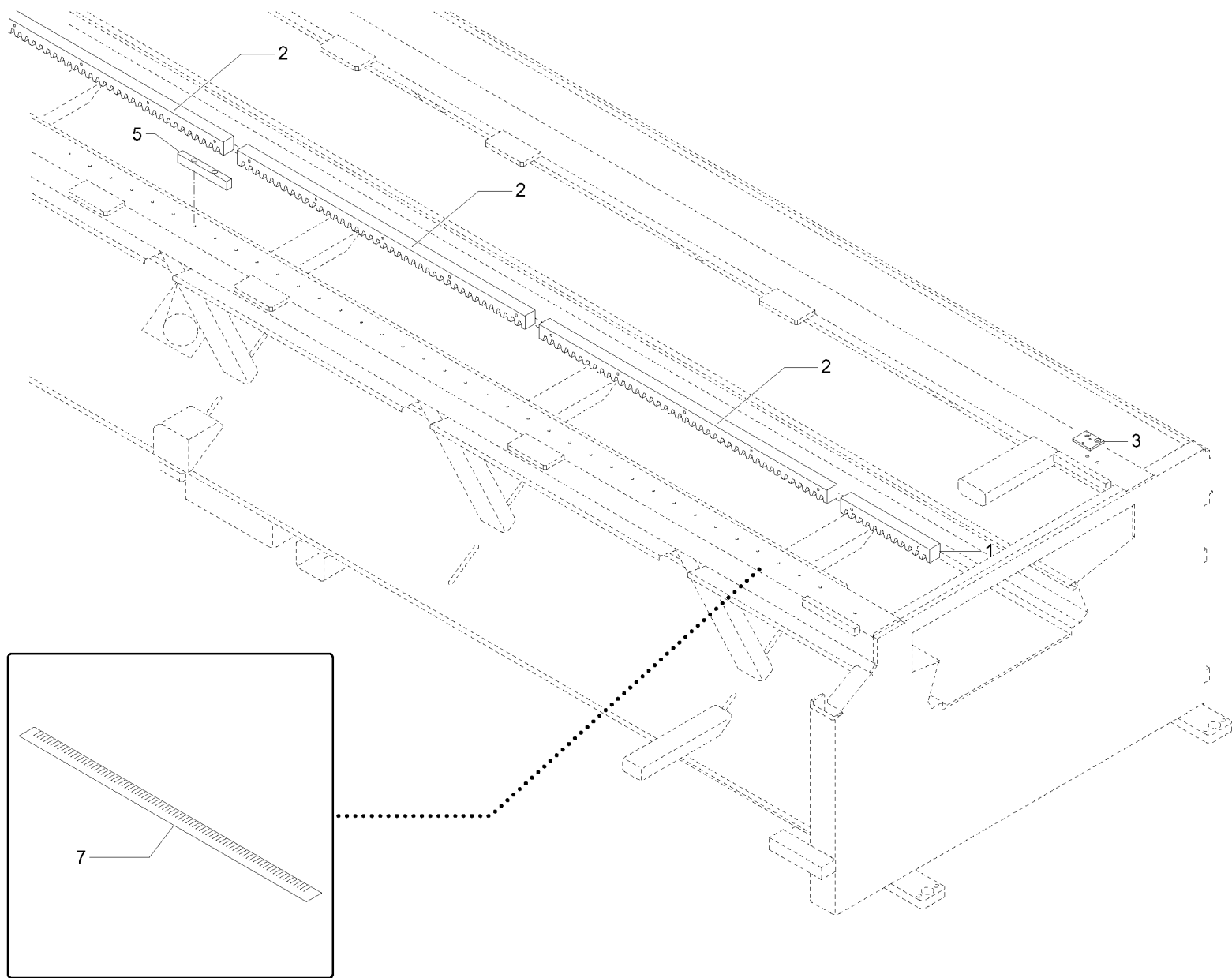
POSITION	DRAWING/COMPONENT	DESCRIPTION
1	1408A0241V	CASING - ATS
2	1205A0606	SUPPORT
3	1205A0797V	SUPPORT - L=1626
4	1205A0608	SUPPORT - NO ASSE C
5	1214A0294	PLATE
7	2164A0320	SENSOR
8	2420A1341	CYLINDER
9	1205A0653V	SUPPORT
10	2440A0232	HOSE CLAMP - D=25
12	A0228A00	SIDE GUARD

- 1 1214A0288V
- 2 1205A0796V
- 3 1708A0061 - L=1896
- 4 1214A0496V
- 5 1214A0457V
- 6 1214A0692V



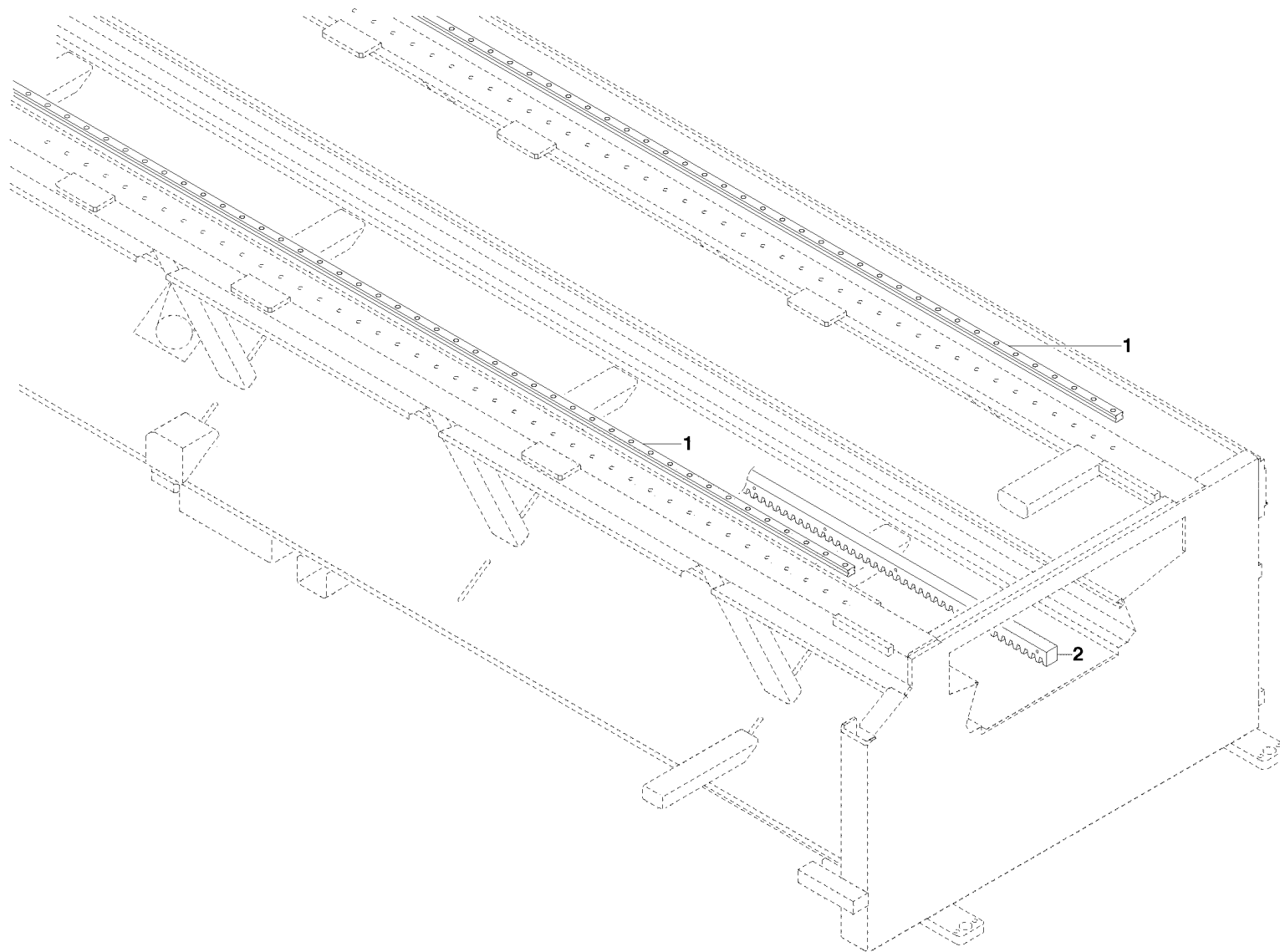
A0228A00 - SIDE GUARD - 40190 - ROVER 22/24

POSITION	DRAWING/COMPONENT	DESCRIPTION
1	1214A0288V	PLATE
2	1205A0796V	SUPPORT
3	1708A0061	CURTAIN GUARD - L=1896
4	1214A0496V	FIXING PLATE
5	1214A0457V	PLATE
6	1214A0692V	PLATE



A0229A01 - WORK TABLE DRIVE - 40190 - ROVER 22/24

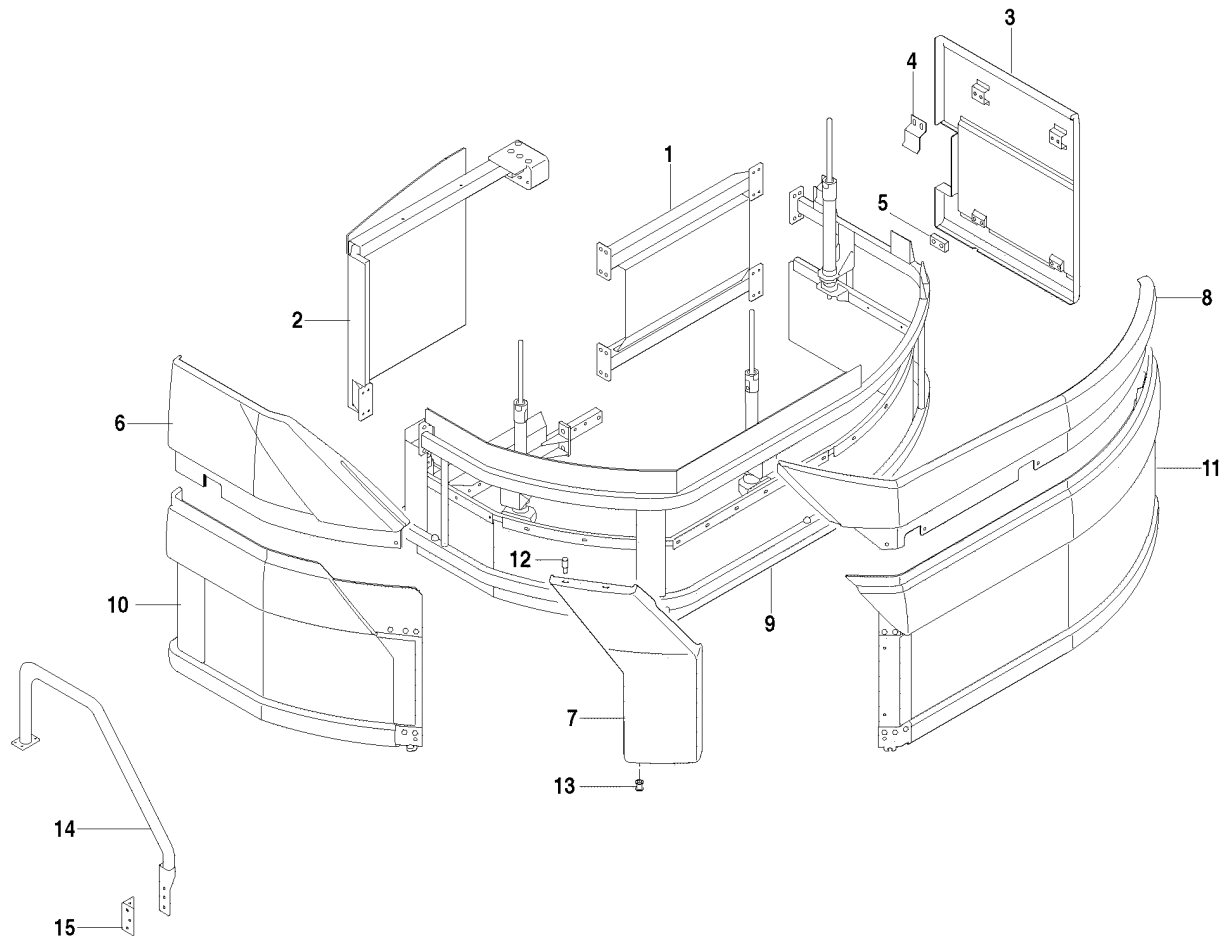
POSITION	DRAWING/COMPONENT	DESCRIPTION
7	E0273A00	MILLIMETRE RULE



A0230A00 - WORK TABLE DRIVE - EPS - 40190 - ROVER 22/24

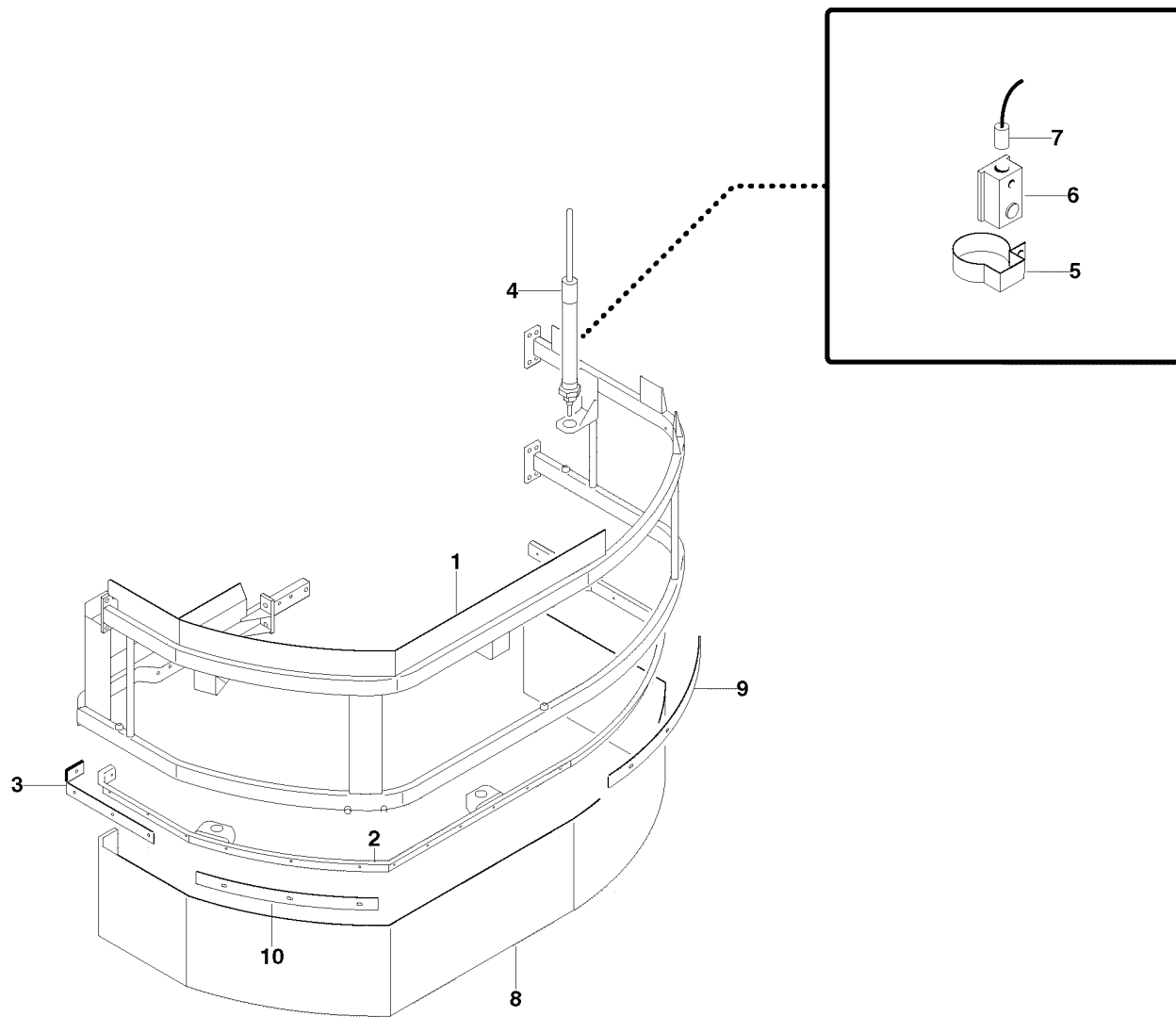
POSITION	DRAWING/COMPONENT	DESCRIPTION
2	A0229A01	WORK TABLE DRIVE

9 A0233A00
10 A0203A01
11 A0204A01



A0231A00 - HEAD CASING - REVOLVER 7P - 40190 - ROVER 22/24

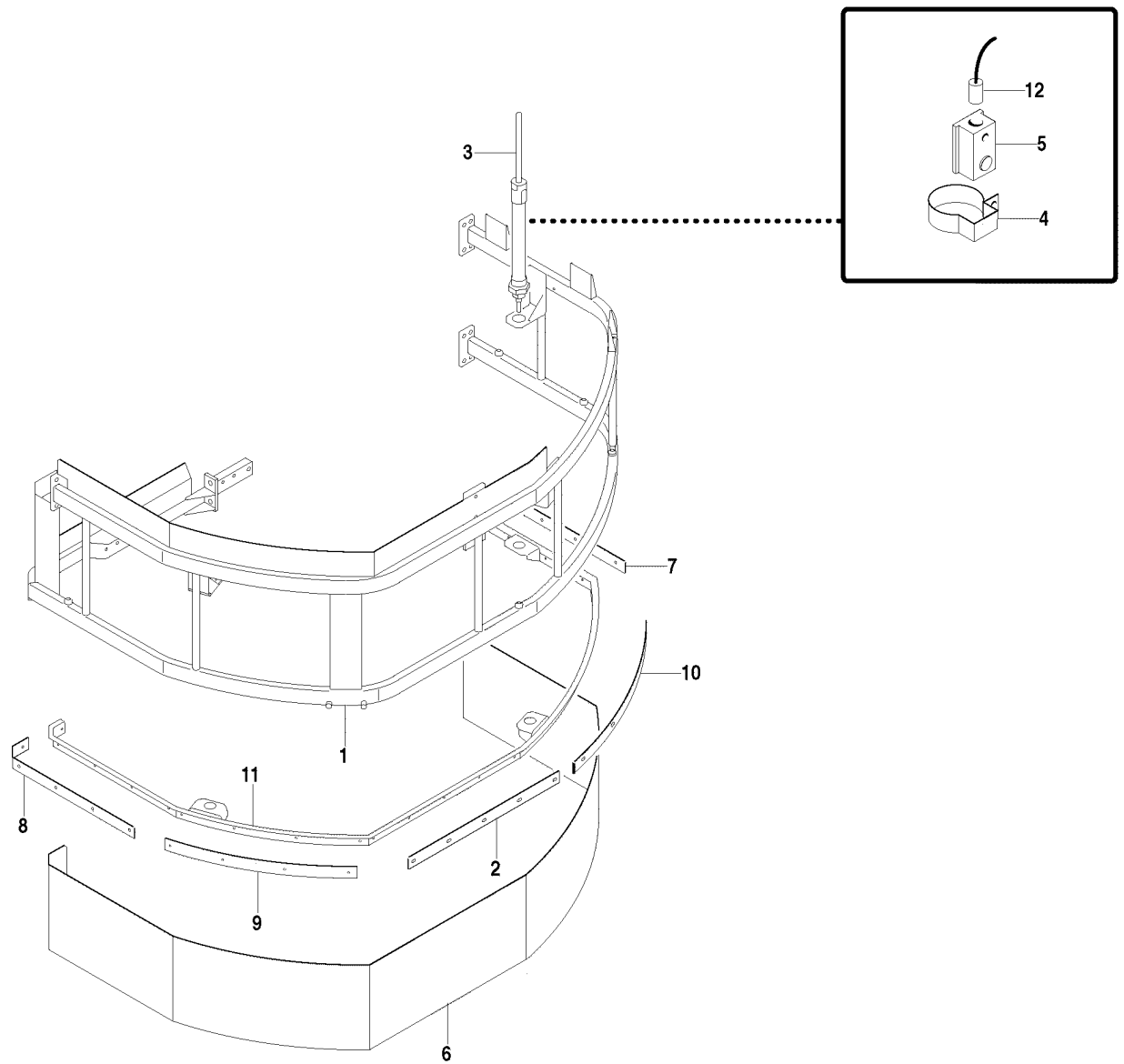
POSITION	DRAWING/COMPONENT	DESCRIPTION
9	A0233A00	SIDE GUARD
10	A0203A01	HEAD CASING
11	A0204A01	HEAD CASING

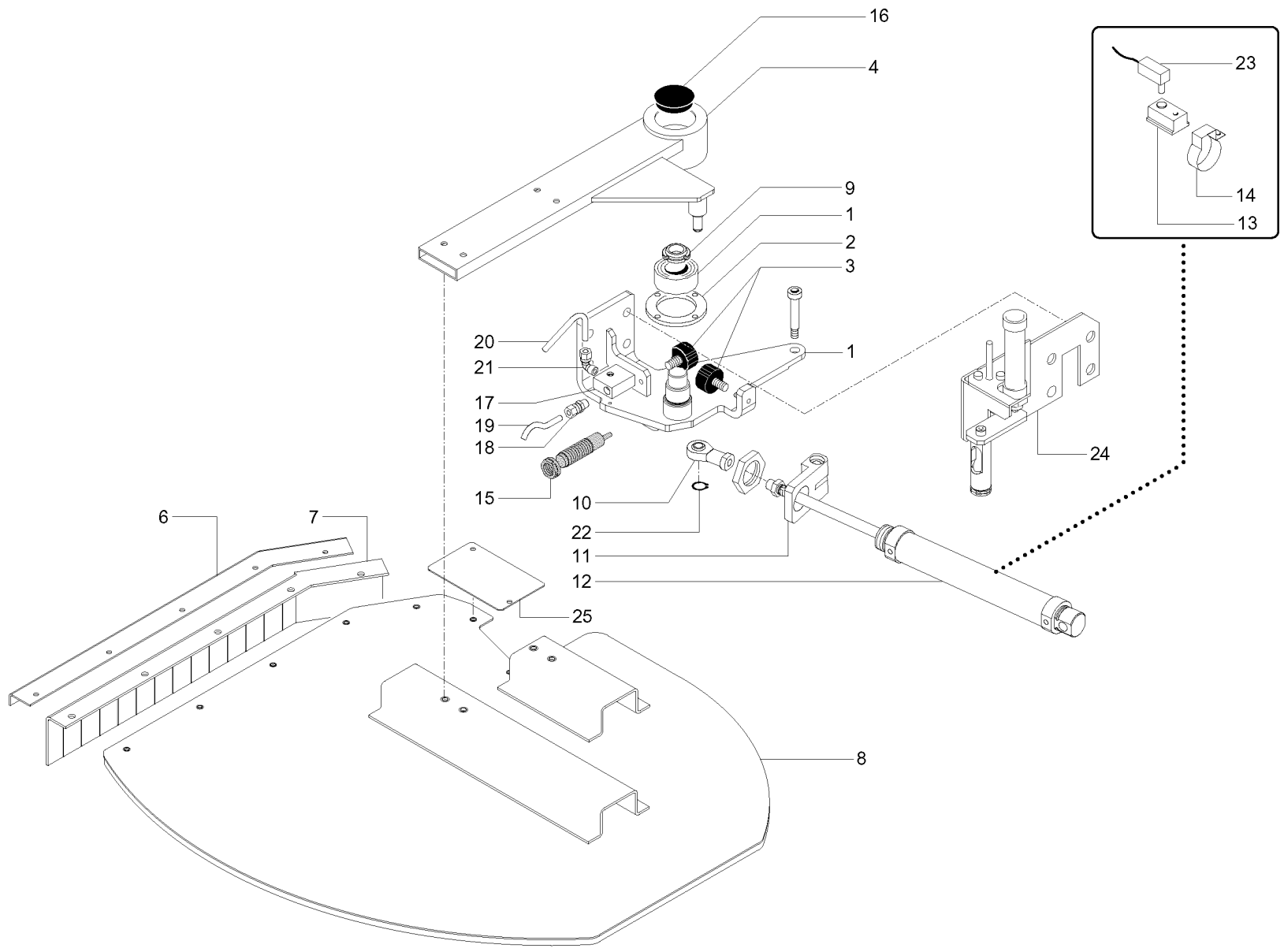


- 1 1203A0038V
- 2 1205A1100V
- 3 1214A0640V
- 4 2420A1340
- 5 2440A0232 - D=25
- 6 2164A0320
- 8 1708A0074 - L=2330
- 9 1214A0642V
- 10 1214A0641V

A0232A00 - SIDE GUARD - 40190 - ROVER 22/24

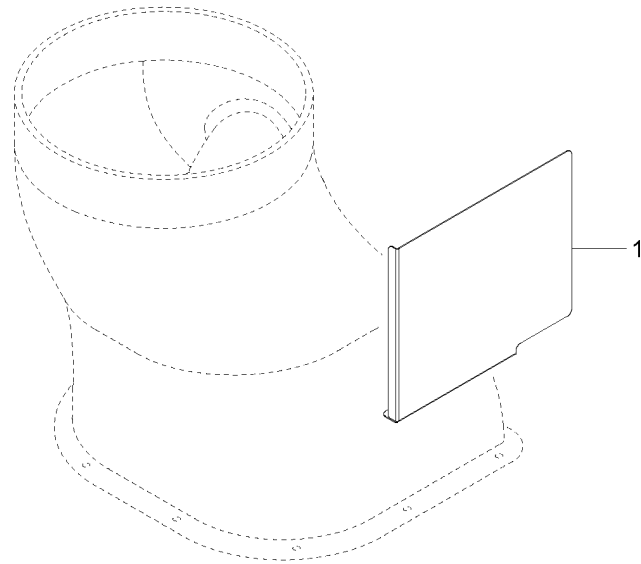
POSITION	DRAWING/COMPONENT	DESCRIPTION
1	1203A0038V	FRAME
2	1205A1100V	SUPPORT
3	1214A0640V	FIXING PLATE
4	2420A1340	CYLINDER
5	2440A0232	HOSE CLAMP - D=25
6	2164A0320	SENSOR
8	1708A0074	CURTAIN GUARD - L=2330
9	1214A0642V	FIXING PLATE
10	1214A0641V	FIXING PLATE

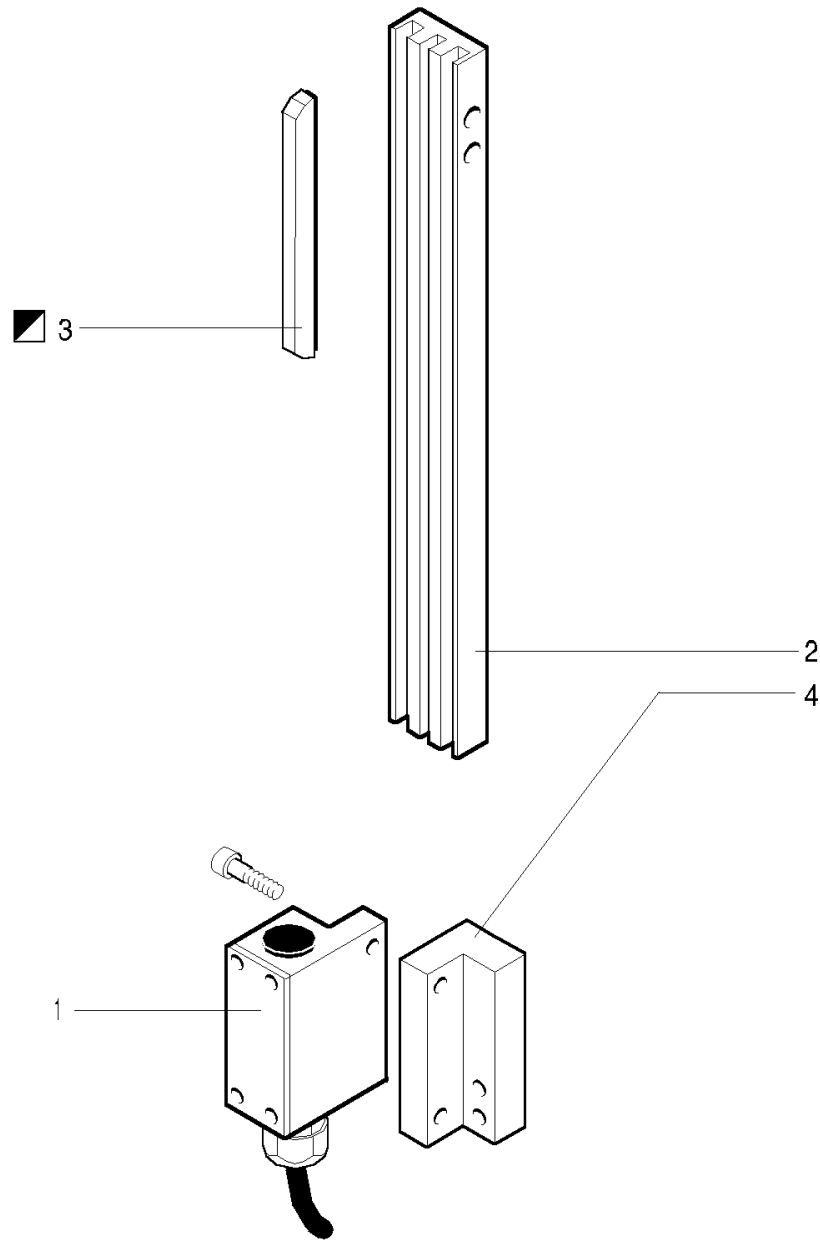




A0243A01 - TOOL MAGAZINE CASING - 40190 - ROVER 22/24

POSITION	DRAWING/COMPONENT	DESCRIPTION
24	C0665A00	SUPPORT



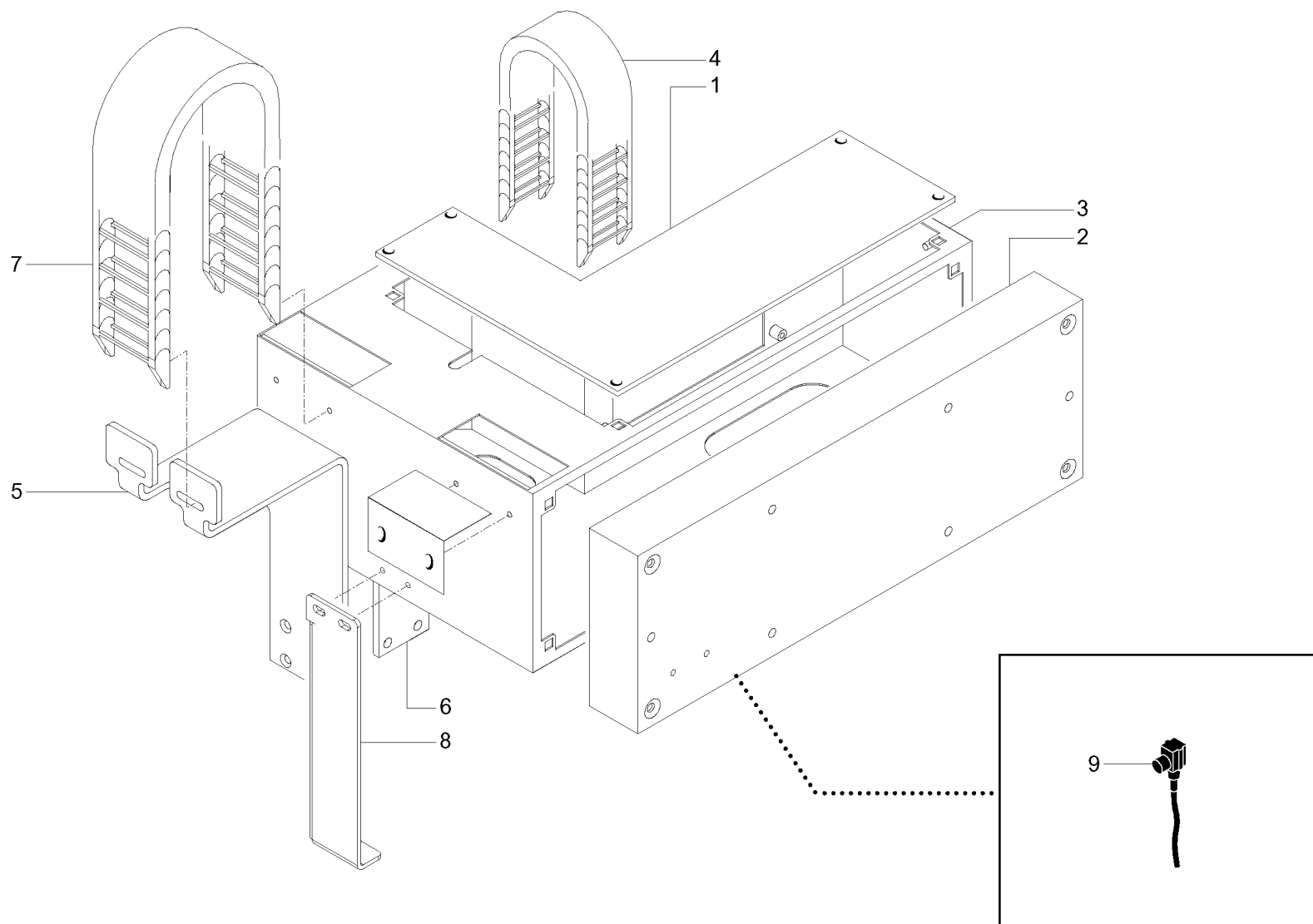


- 1 H0249A01
- 2 0911A0276
- 3 161402601 - L=40
- 4 0905A0679

B0289A00 - Z-AXIS LIMIT SWITCH - 40190 - ROVER 22/24

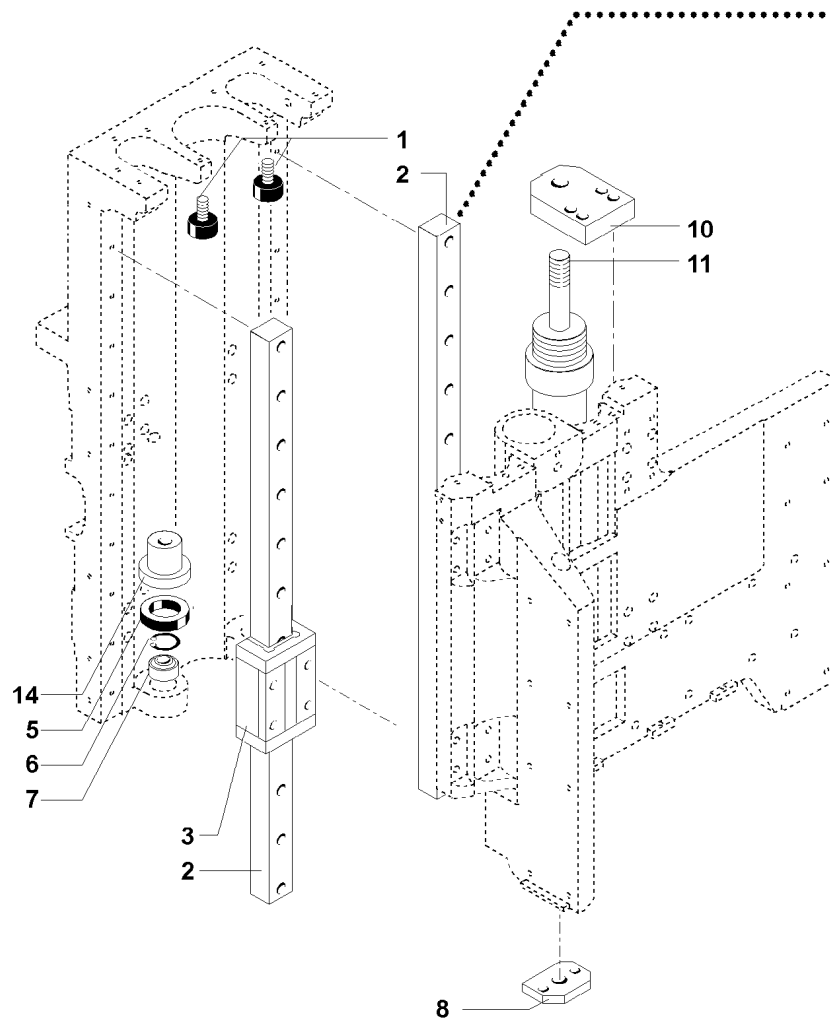
POSITION	DRAWING/COMPONENT	DESCRIPTION
1	H0249A01	SAFETY LIMIT SWITCH
2	0911A0276	GUIDE
3	161402601	CAM ASSEMBLY - L=40
4	0905A0679	SUPPORT

4 M0162A00 - KS 0650.180
7 M0139A00



B0292A05 - CABLE RACEWAYS - 40190 - ROVER 22/24

POSITION	DRAWING/COMPONENT	DESCRIPTION
4	M0162A00	CABLE-HOLDER CHAIN - KS 0650.180
7	M0139A00	CABLE-HOLDER CHAIN

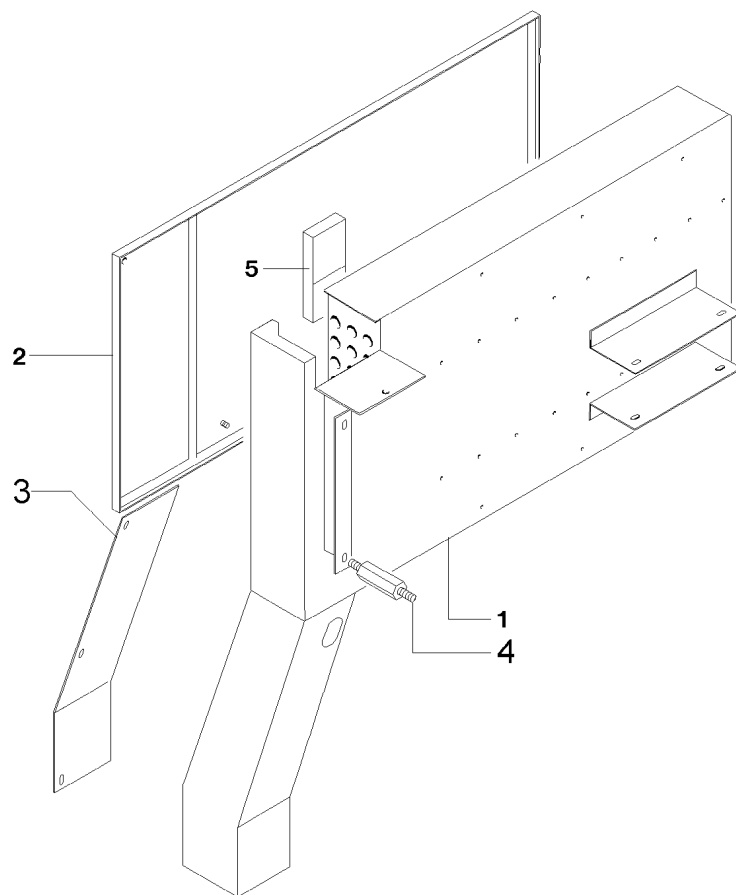


- 1 201800600 - 20x8,5
- 2 2914A0547
- 3 291403000 - 1622-223-20
- 5 1406A0023
- 6 302914500 - I 26
- 7 291901300 - K-S10-DIN 64..
- 8 0814A0413
- 10 0814A0533
- 11 2419A0064
- 13 3120A0010 - H=25 mm
- 14 0804A0138

B0298A02 - Y-Z AXIS DRIVE - 40190 - ROVER 22/24

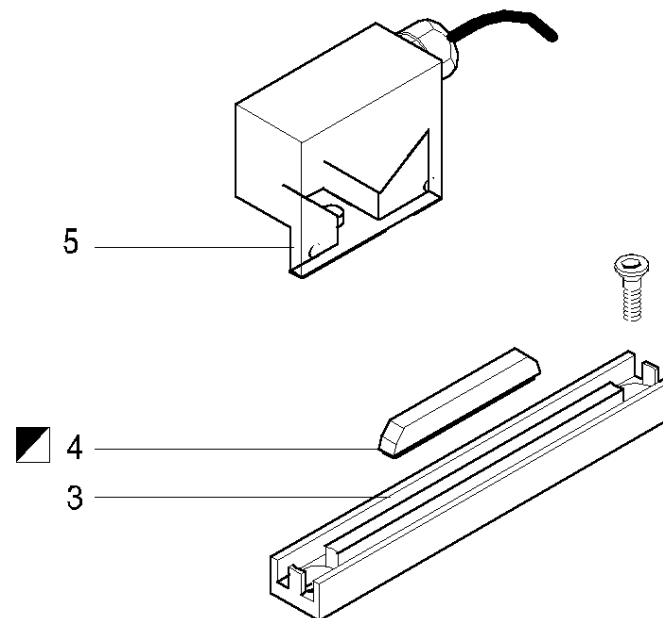
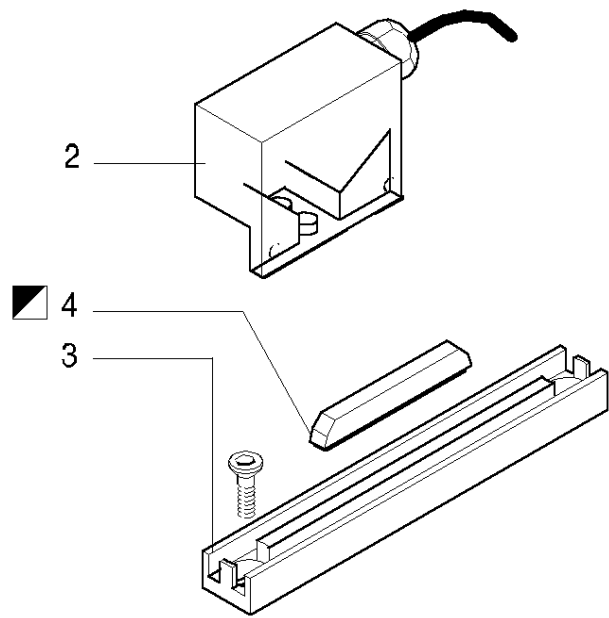
POSITION	DRAWING/COMPONENT	DESCRIPTION
1	201800600	BUMPER - 20X8,5
2	2914A0547	GUIDE
3	291403000	SLIDE BLOCK - 1622-223-20
5	1406A0023	RING
6	302914500	SNAP RING - I 26
7	291901300	ARTICULATED JOINT - K-S10-DIN 648 ASKUBAL
8	0814A0413	PLATE
10	0814A0533	PLATE
11	2419A0064	CYLINDER
13	3120A0010	SCRAPER - H=25 MM
14	0804A0138	WASHER

- 1 1212A0375V
- 2 1208A0863V
- 3 1208A0896V
- 4 080669500
- 5 P0037A00



B0299A02 - X AXIS CABLE-HOLDER CHAIN - 40190 - ROVER 22/24

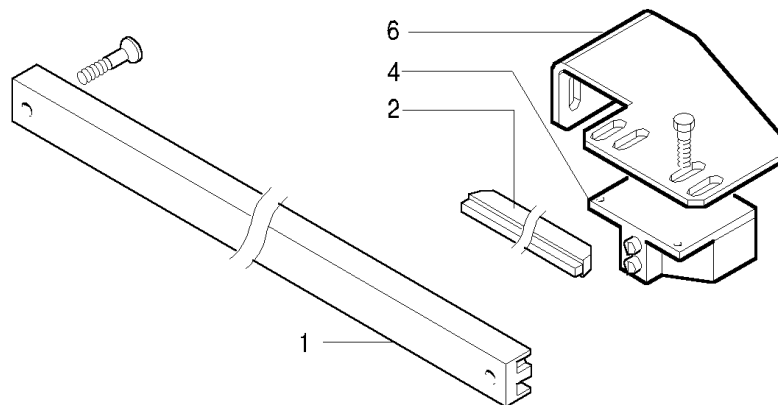
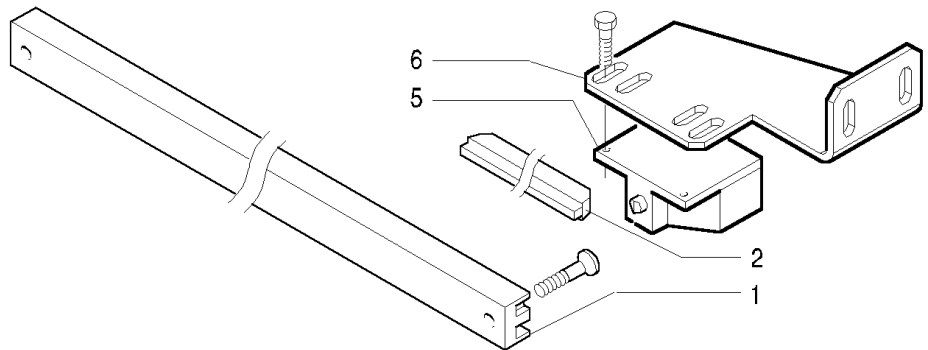
POSITION	DRAWING/COMPONENT	DESCRIPTION
1	1212A0375V	BOX
2	1208A0863V	COVER
3	1208A0896V	COVER
4	080669500	SPACER
5	P0037A00	CONNECTOR



- 2 H0249A01
- 3 0911A0232
- 4 161402701 - L=105
- 5 H0249A01

B0302A00 - Y AXIS LIMIT SWITCH - 40190 - ROVER 22/24

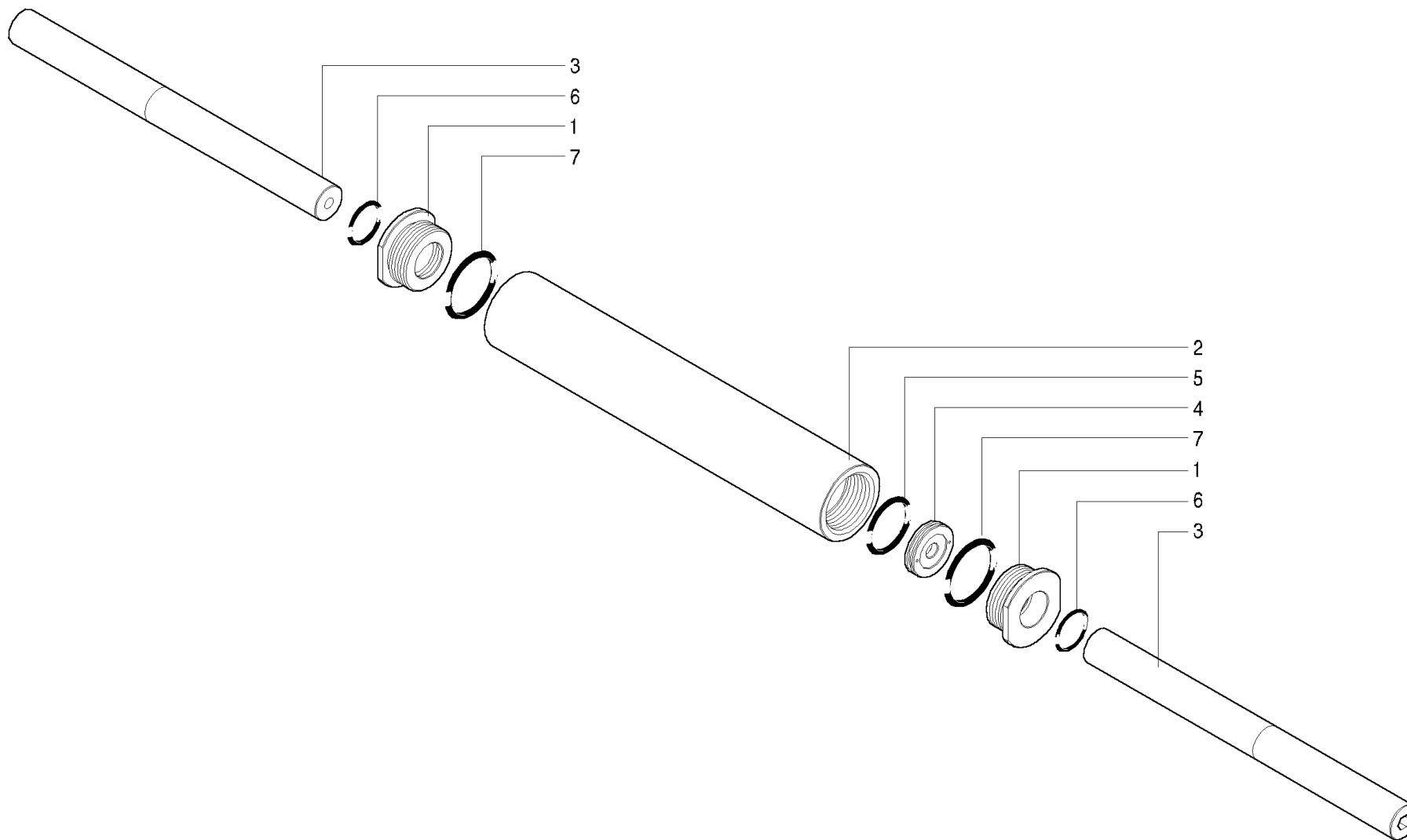
POSITION	DRAWING/COMPONENT	DESCRIPTION
2	H0249A01	SAFETY LIMIT SWITCH
3	0911A0232	GUIDE
4	161402701	CAM - L=105
5	H0249A01	SAFETY LIMIT SWITCH



- 1 0911A0112 - L=7190
- 2 1709A0001 - L=200
- 4 H0249A01
- 5 H0249A01
- 6 1205A0682

B0303A01 - X AXIS LIMIT SWIT - 40190 - ROVER 22/24

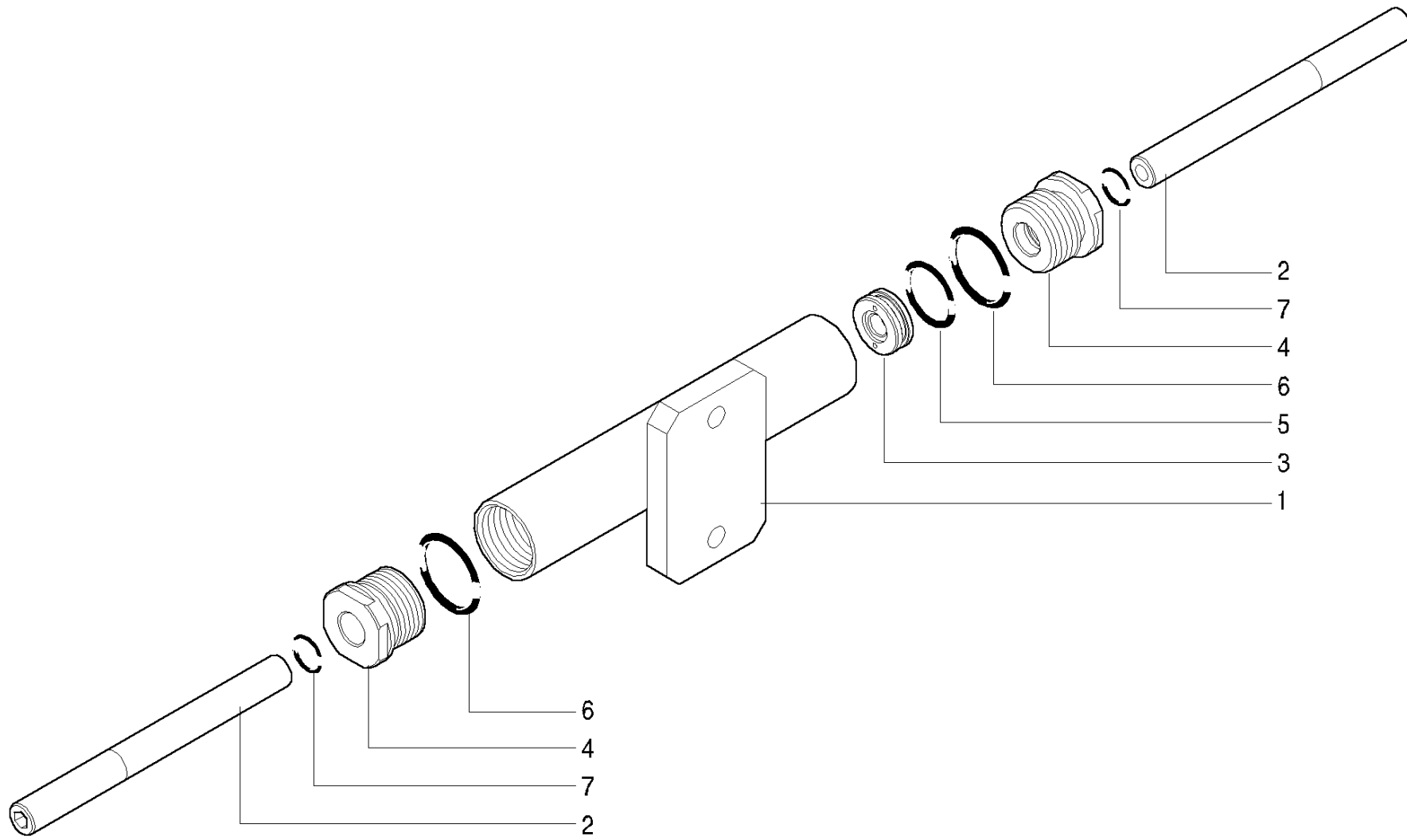
POSITION	DRAWING/COMPONENT	DESCRIPTION
1	0911A0112	GUIDE - L=7190
2	1709A0001	CAM ASSEMBLY - L=200
4	H0249A01	SAFETY LIMIT SWITCH
5	H0249A01	SAFETY LIMIT SWITCH
6	1205A0682	SUPPORT



- 1 0701A0011
- 2 1316A0005
- 3 0815A0176
- 4 0815A0200
- 5 311002600
- 6 311008100 - OR 4087
- 7 311005400 - OR 3131

B0310A00 - DECELERATOR - 40190 - ROVER 22/24

POSITION	DRAWING/COMPONENT	DESCRIPTION
1	0701A0011	PLUG
2	1316A0005	CYLINDER
3	0815A0176	ROD
4	0815A0200	PISTON
5	311002600	SEAL RING
6	311008100	GASKET - OR 4087
7	311005400	GASKET - OR 3131

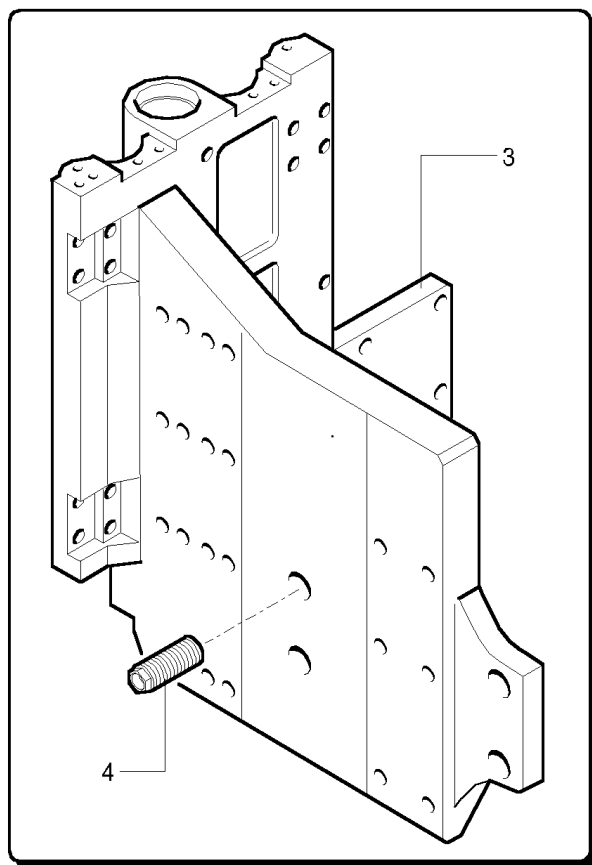
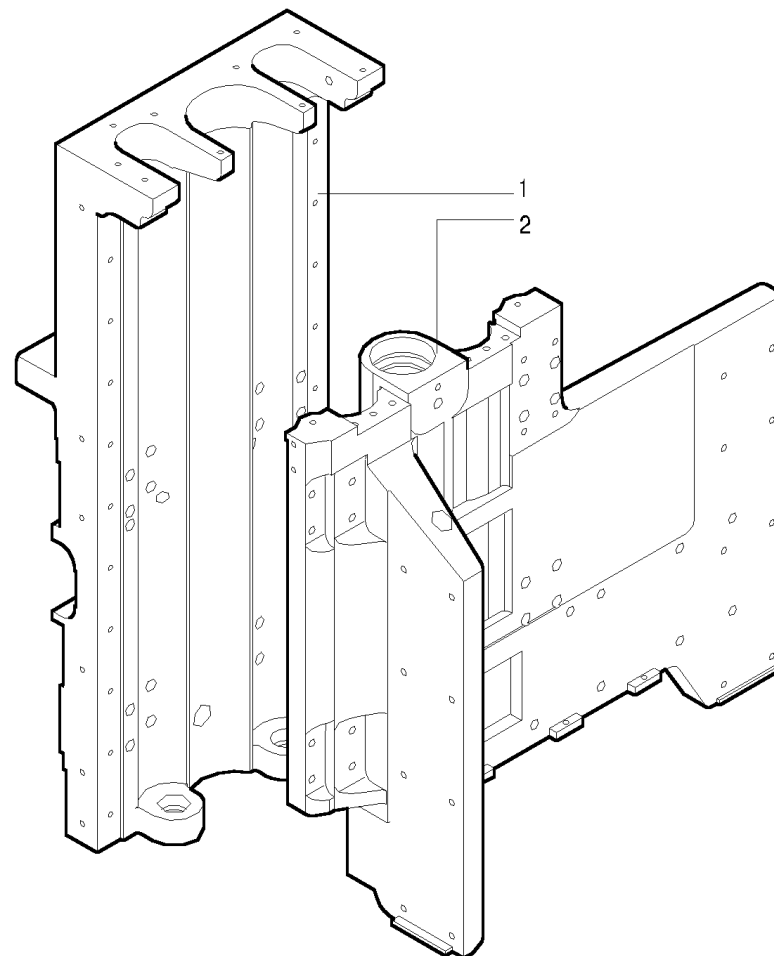


- 1 1316A0006
- 2 0815A0177
- 3 0915A0021
- 4 0701A0013
- 5 311001500
- 6 311003900 - OR 121
- 7 311001100 - OR 2037

B0311A00 - DECELERATOR - 40190 - ROVER 22/24

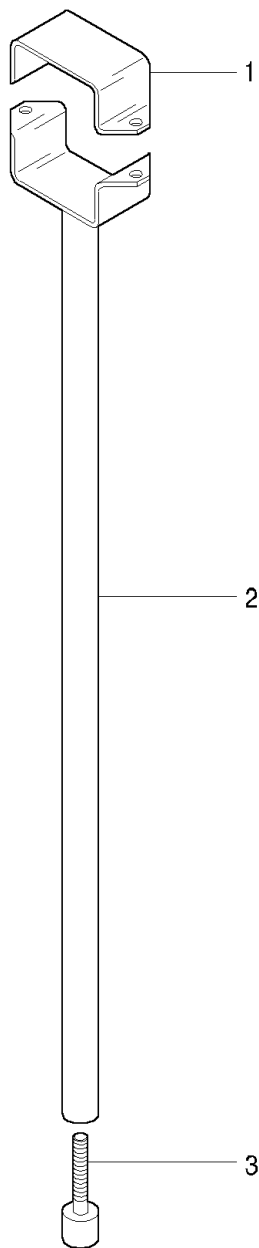
POSITION	DRAWING/COMPONENT	DESCRIPTION
1	1316A0006	CYLINDER
2	0815A0177	ROD
3	0915A0021	PISTON
4	0701A0013	PLUG
5	311001500	SEAL RING
6	311003900	RING - OR 121
7	311001100	RING - OR 2037

- 1 0911A0275
- 2 0911A0273



B0314A01 - CARRIAGE UNIT - 40190 - ROVER 22/24

POSITION	DRAWING/COMPONENT	DESCRIPTION
1	0911A0275	CARRIAGE
2	0911A0273	CARRIAGE

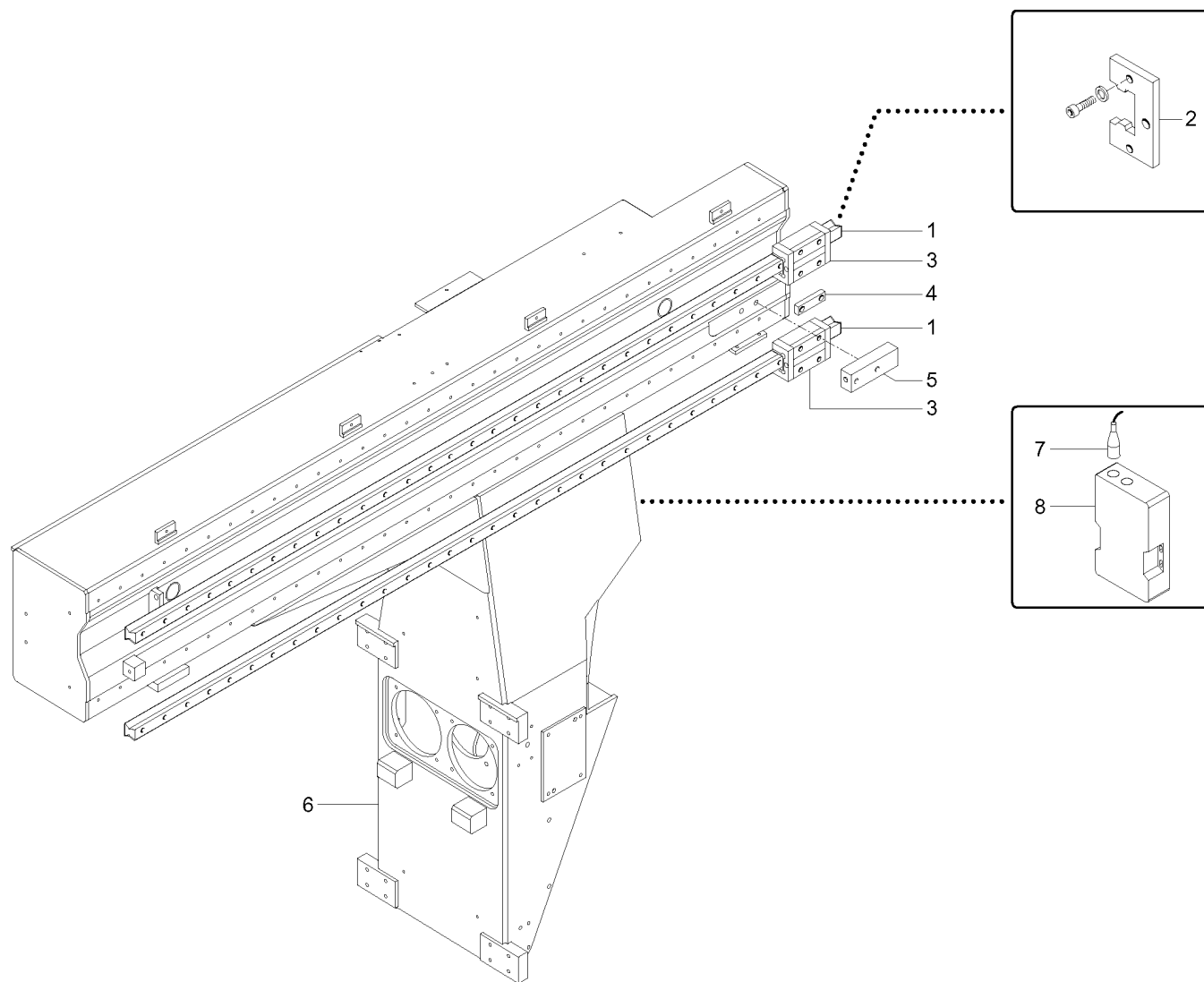


- 1 1214A0624V
- 2 1205A1075V
- 3 0806A0410

B0355A00 - SUPPORT - 40190 - ROVER 22/24

POSITION	DRAWING/COMPONENT	DESCRIPTION
1	1214A0624V	BRACKET
2	1205A1075V	SUPPORT
3	0806A0410	SPACER

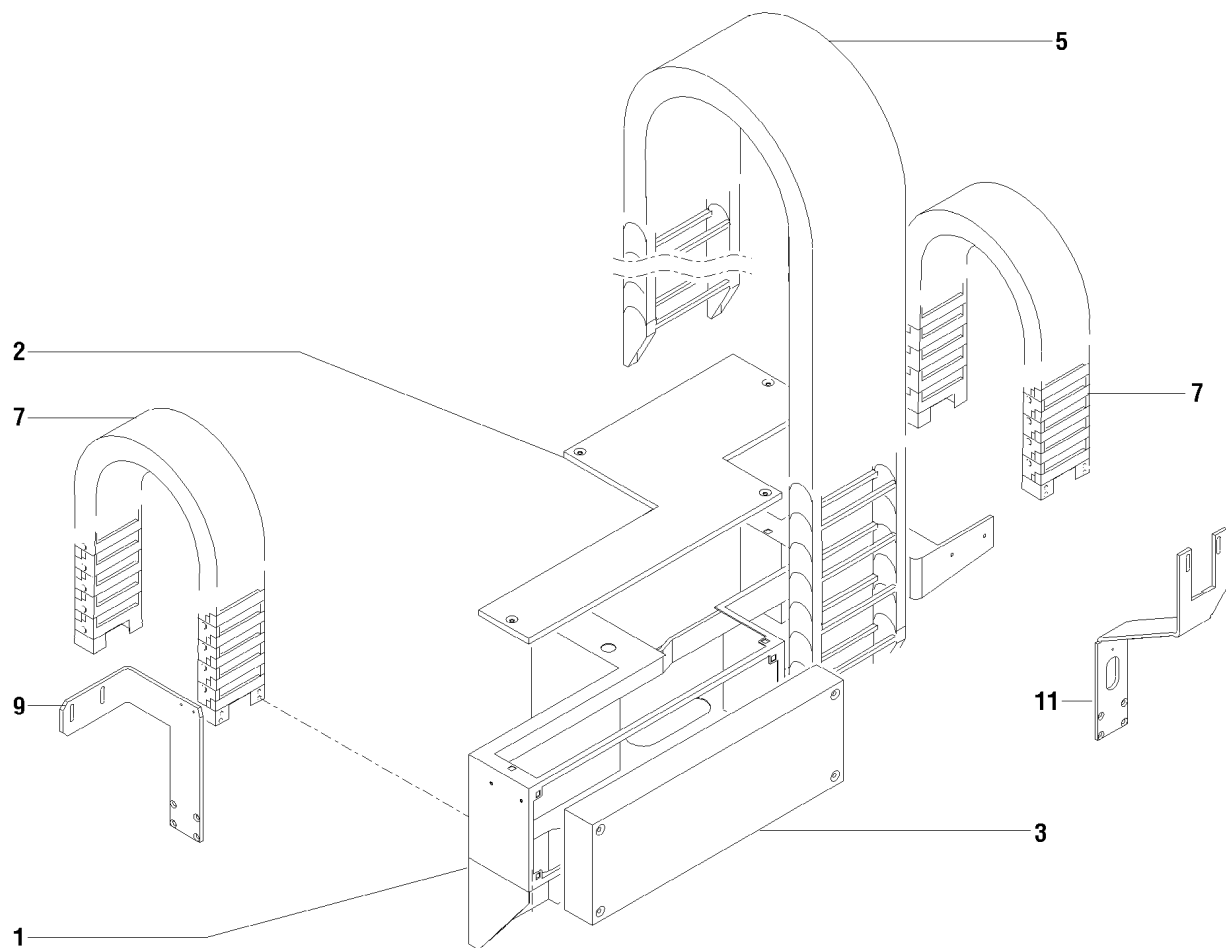
- 1 2914A0534
- 2 3120A0010 - H=25 mm
- 3 291403000 - 1622-223-20
- 4 0814A0367
- 5 0814A0904
- 6 1311A0038V



B0356A01 - CARRIAGE UNIT - 40190 - ROVER 22/24

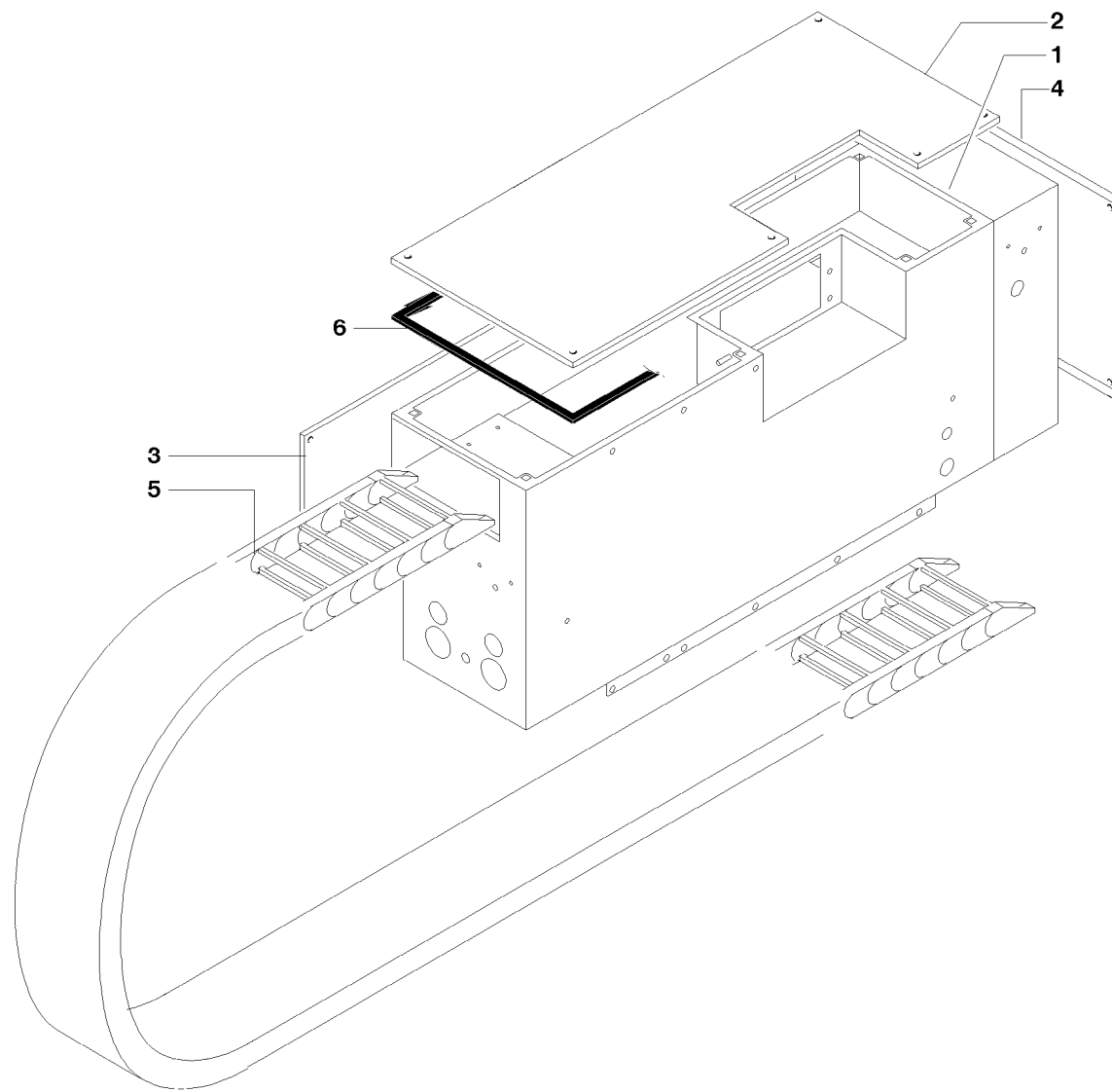
POSITION	DRAWING/COMPONENT	DESCRIPTION
1	2914A0534	GUIDE
2	3120A0010	SCRAPER - H=25 MM
3	291403000	SLIDE BLOCK - 1622-223-20
4	0814A0367	PLATE
5	0814A0904	PLATE
6	1311A0038V	CARRIAGE

- 1 1212A0622V
- 2 1208A0984V
- 3 1208A0910V
- 5 M0162A00 - KS 0650.180
- 7 M0139A00
- 9 1205A1109



B0371A00 - Z AXIS CABLE-HOLDER CHAIN - 40190 - ROVER 22/24

POSITION	DRAWING/COMPONENT	DESCRIPTION
1	1212A0622V	WIRING BOX
2	1208A0984V	COVER
3	1208A0910V	COVER
5	M0162A00	CABLE-HOLDER CHAIN - KS 0650.180
7	M0139A00	CABLE-HOLDER CHAIN
9	1205A1109	SUPPORT

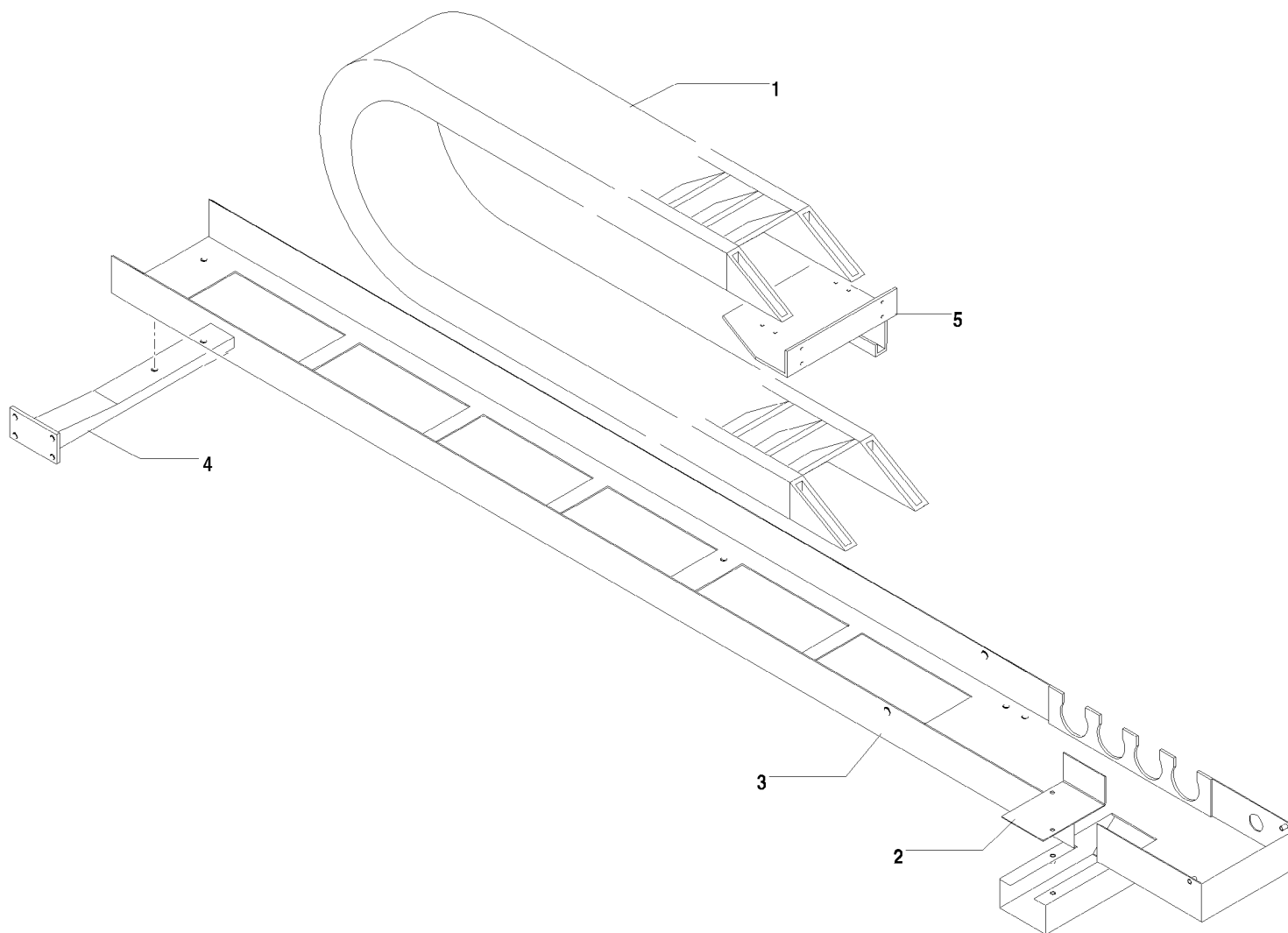


- 1 1212A0389V
- 2 1208A0932V
- 3 1208A0912V
- 4 1208A0933V
- 5 M0162A00 - KS 0650.180
- 6 2022A0010

B0372A00 - Y AXIS BOX - ATS - 40190 - ROVER 22/24

POSITION	DRAWING/COMPONENT	DESCRIPTION
1	1212A0389V	BOX
2	1208A0932V	COVER
3	1208A0912V	COVER
4	1208A0933V	COVER
5	M0162A00	CABLE-HOLDER CHAIN - KS 0650.180
6	2022A0010	GASKET

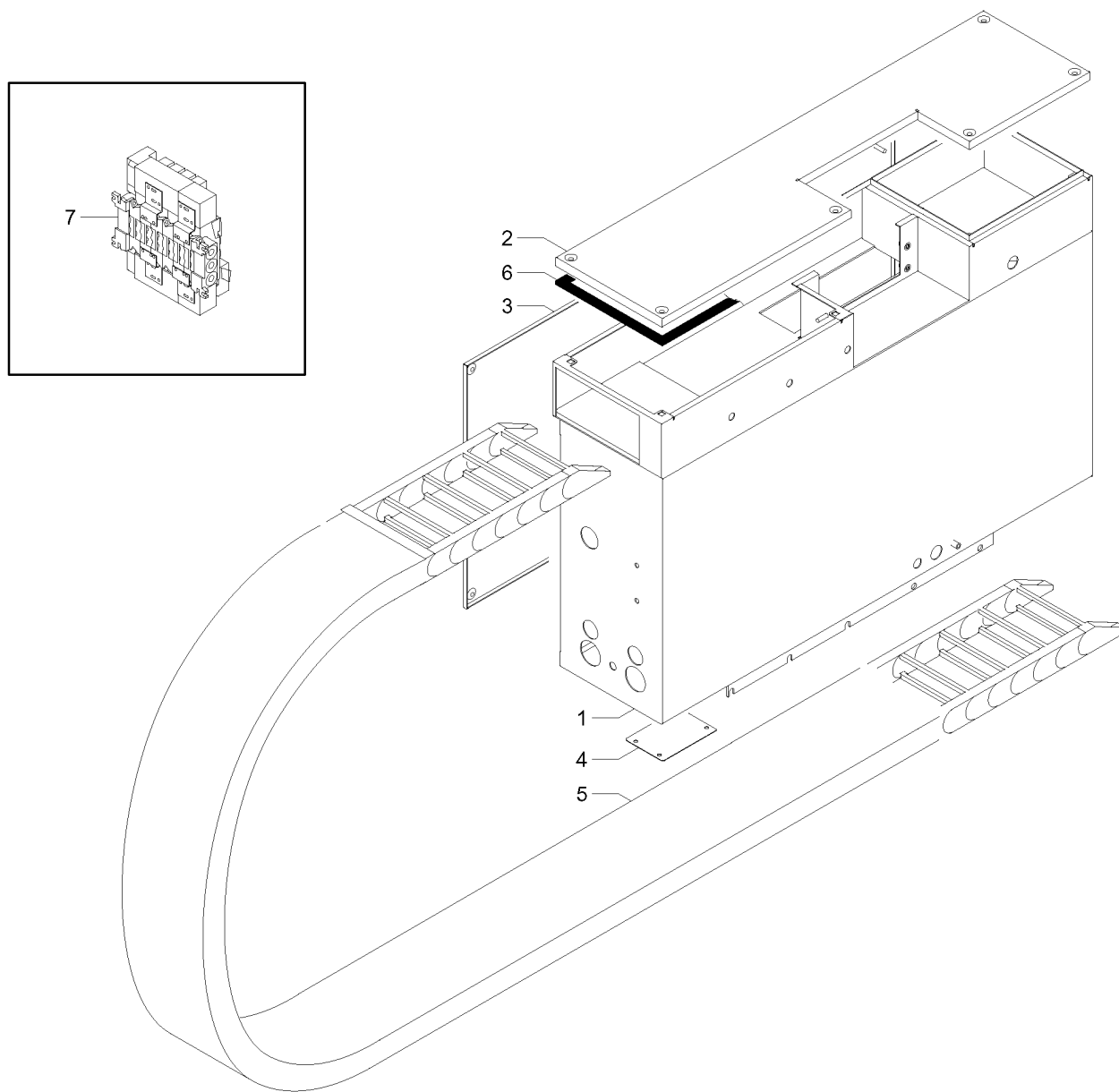
- 1 M0152A00
- 2 1208A1774V
- 3 1205A0467V - S
- 4 1205A0466V
- 5 1205A0581V



B0383A00 - X AXIS CABLE-HOLDER CHAIN - 40190 - ROVER 22/24

POSITION	DRAWING/COMPONENT	DESCRIPTION
1	M0152A00	CABLE-HOLDER CHAIN
2	1208A1774V	COVER
3	1205A0467V	SUPPORT - S
4	1205A0466V	SUPPORT
5	1205A0581V	SUPPORT

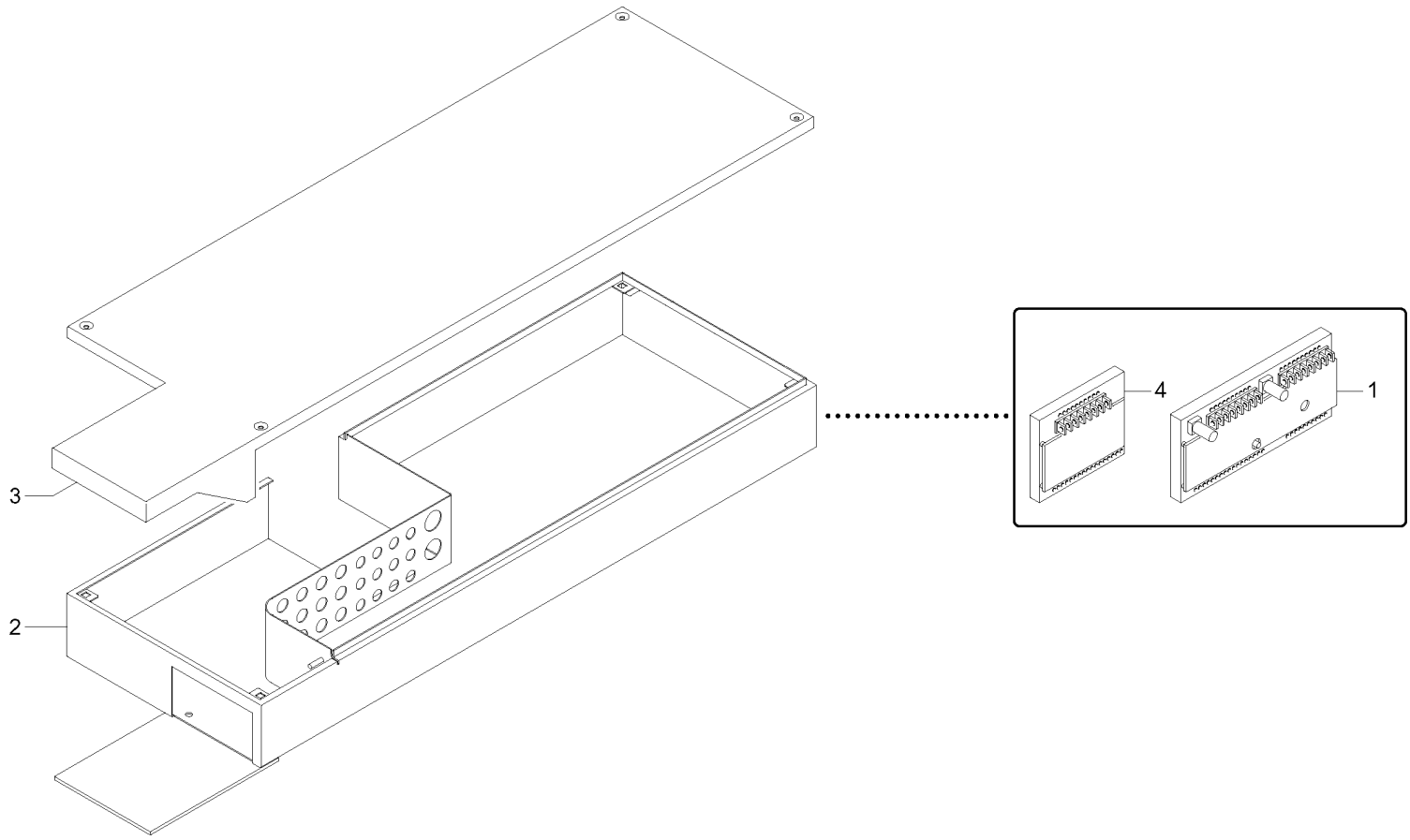
5 M0162A00 - KS 0650.180
7 N0232A02



B0403A01 - Y AXIS BOX - EPS - 40190 - ROVER 22/24

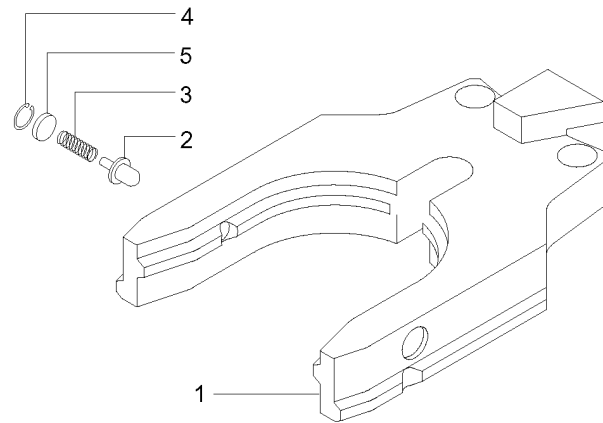
POSITION	DRAWING/COMPONENT	DESCRIPTION
5	M0162A00	CABLE-HOLDER CHAIN - KS 0650.180
7	N0232A02	ELECTROVALVE

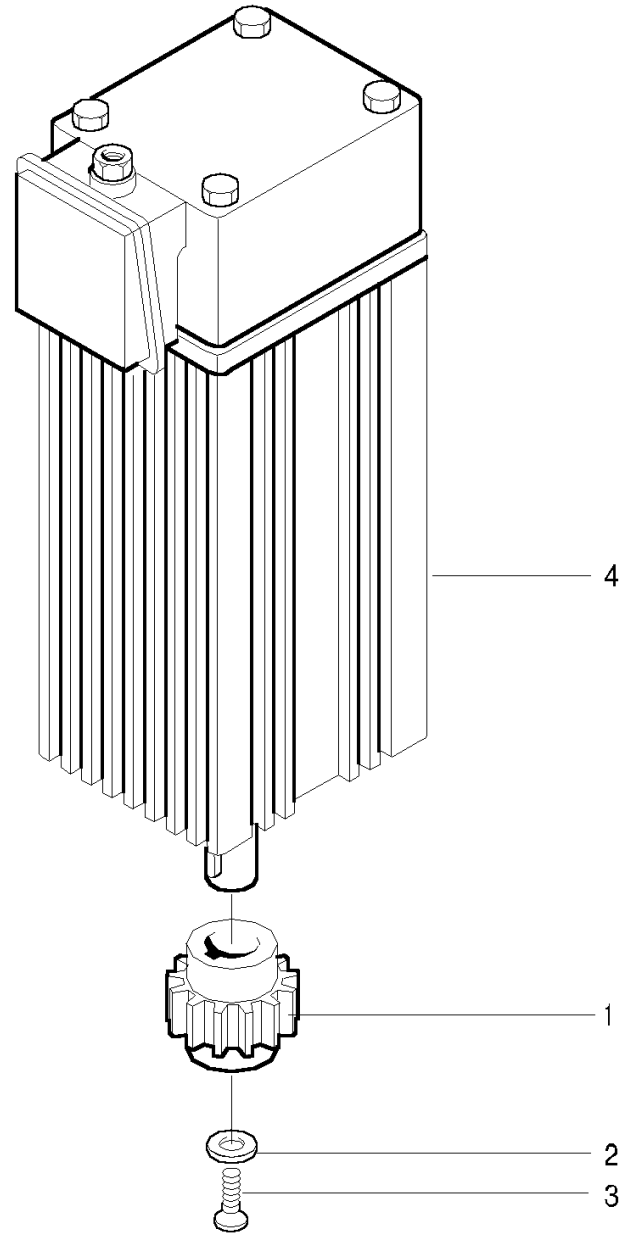
1 P0037A00



B0404A01 - CONNECTOR BLOCK - 40190 - ROVER 22/24

POSITION	DRAWING/COMPONENT	DESCRIPTION
1	P0037A00	CONNECTOR

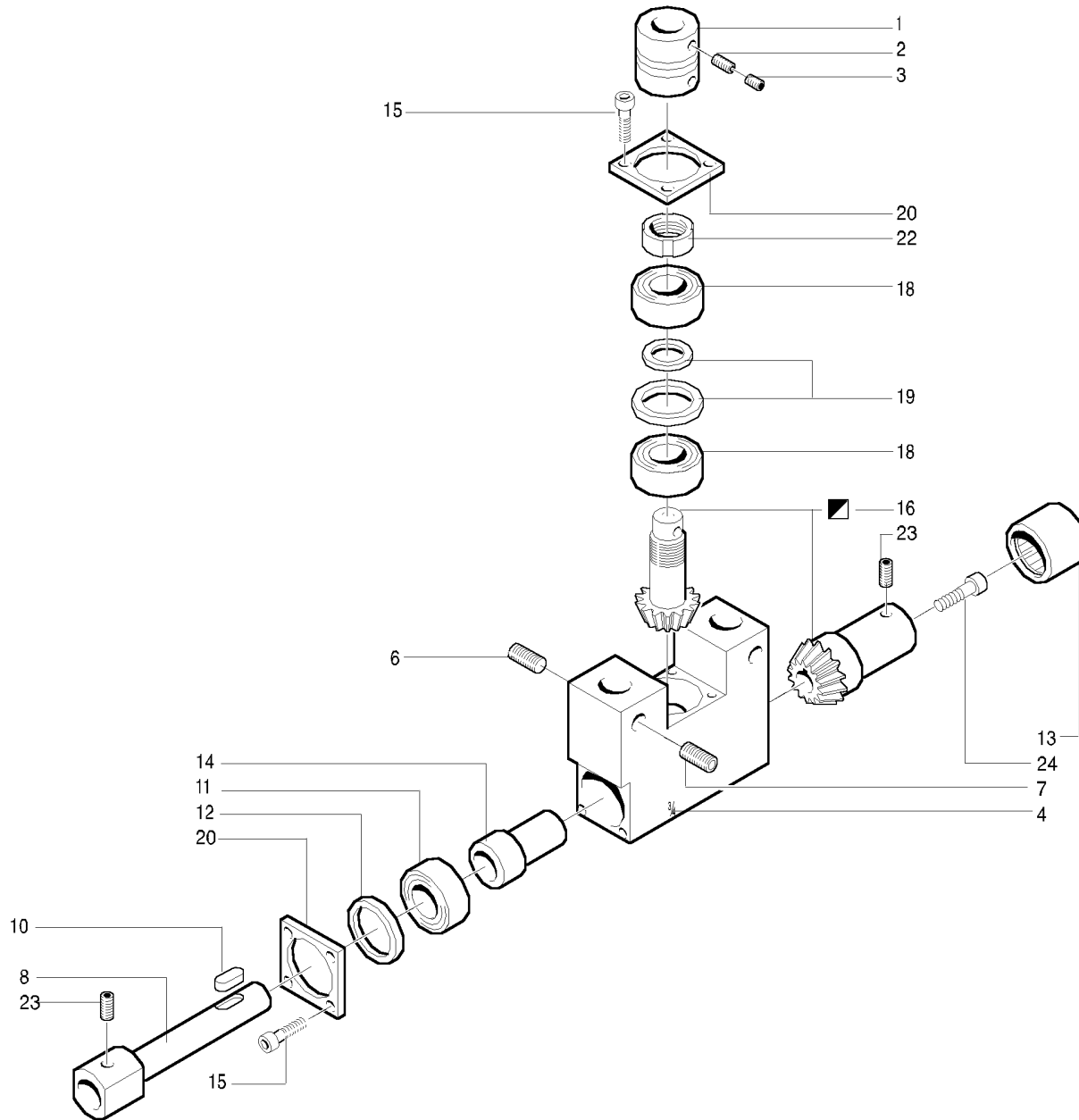




- 1 0821A0145 - Z=22
- 2 080450400
- 3 300304500 - M6X14 *R10.9
- 4 6410A0181 - 50Hz - 1,7K..
- 4 M0151A00

C0092A02 - MOTOR UNIT - 40190 - ROVER 22/24

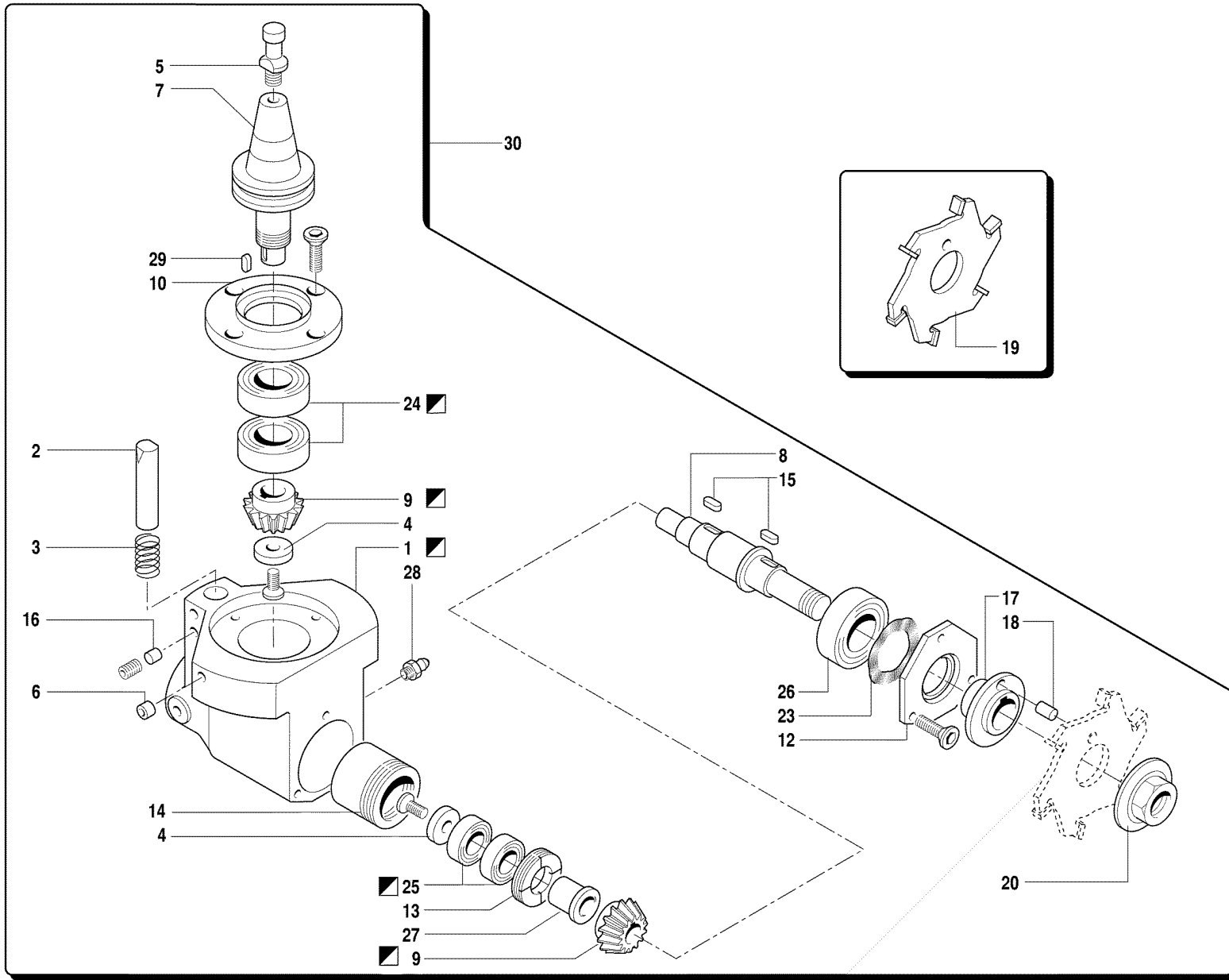
POSITION	DRAWING/COMPONENT	DESCRIPTION
1	0821A0145	GEAR WHEEL - Z=22
2	080450400	WASHER
3	300304500	SCREW - M6X14 *R10.9
4	6410A0181	MOTOR - 50HZ - 1,7KW 2,3HP
4	M0151A00	MOTOR

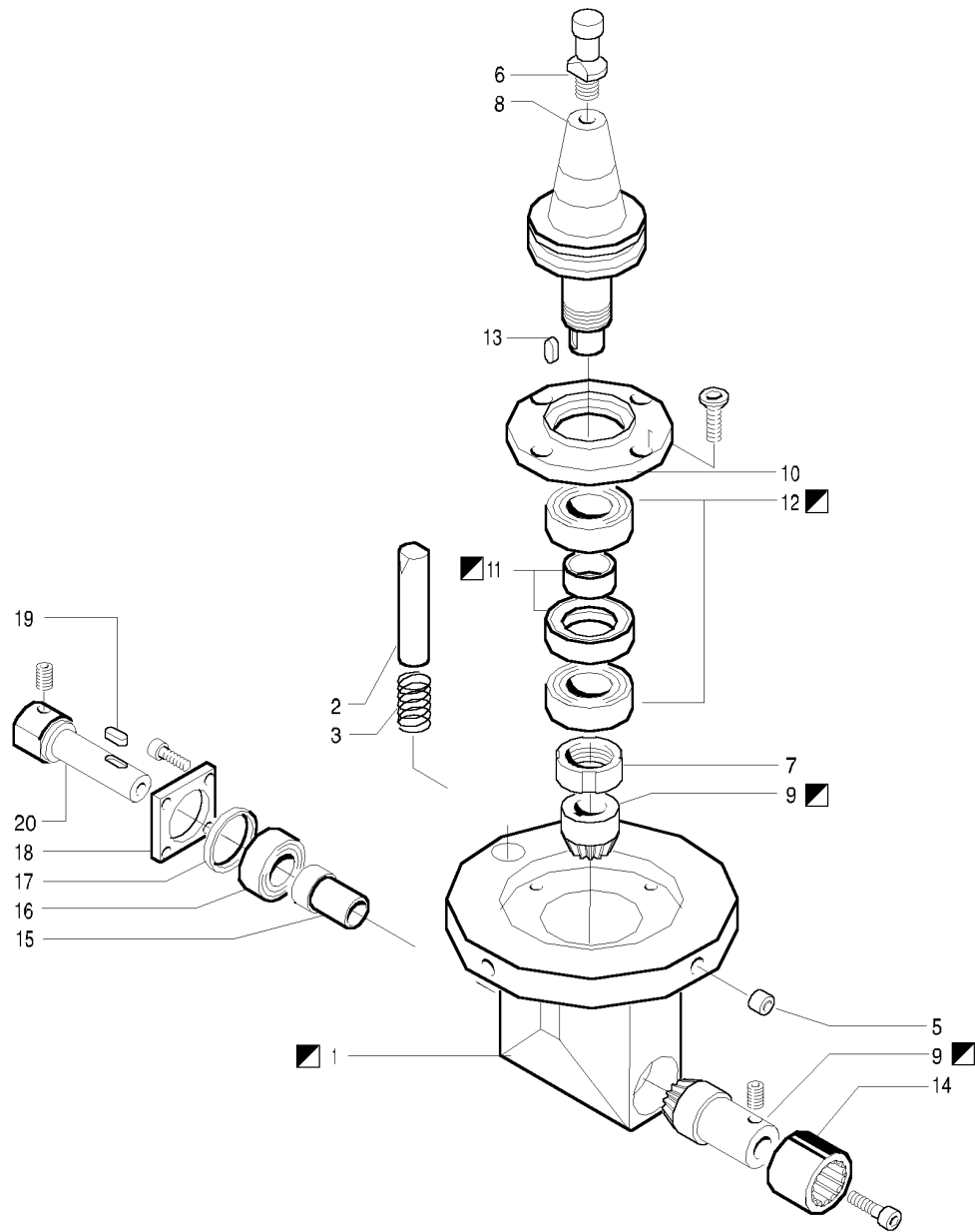


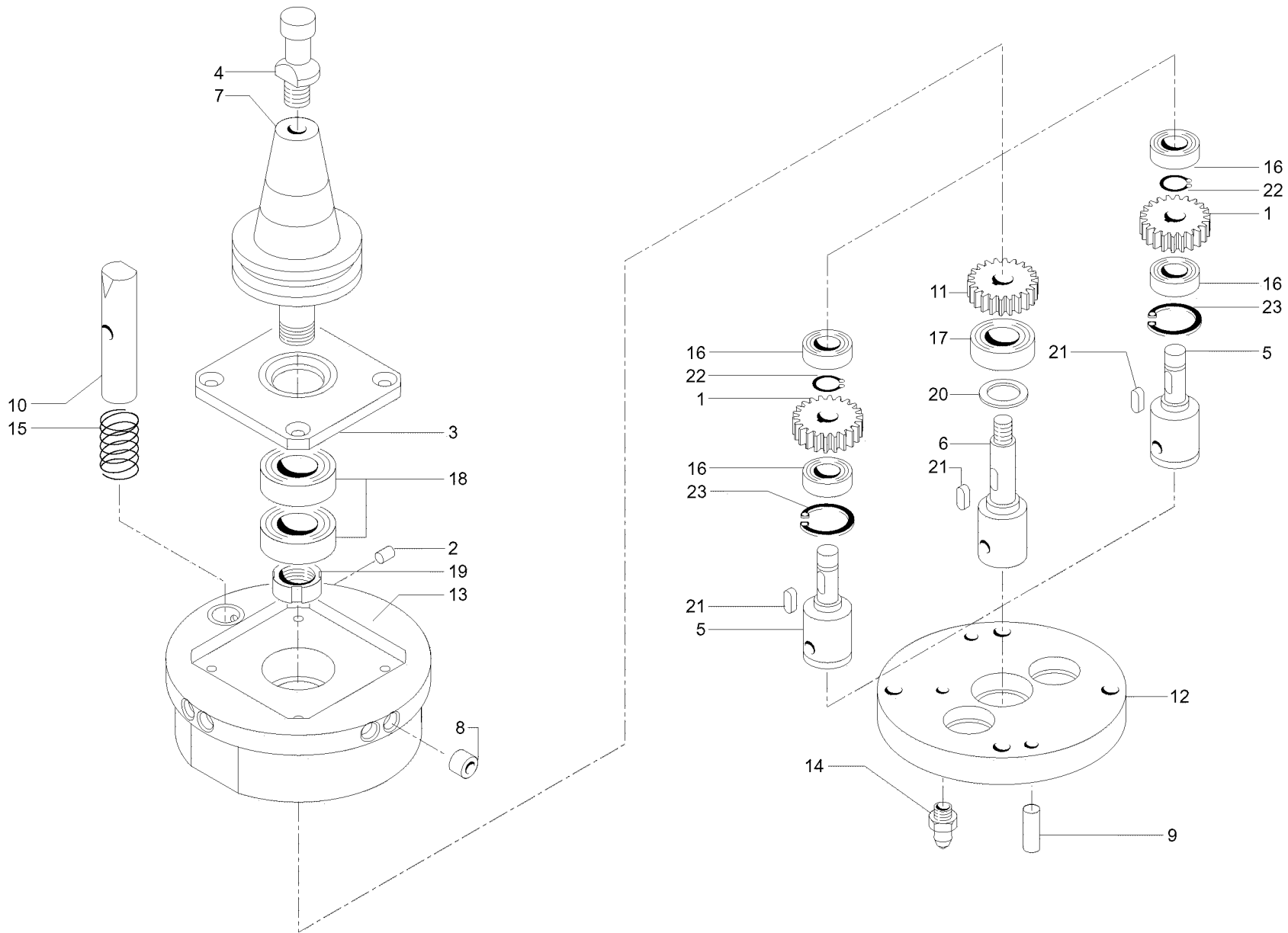
1	270704800 - W725-10-10..
2	300437100 - M4X6
3	300401900 - M4X4
4	090529310
6	080460600 - M8X10
7	300480000 - M8X8
8	080731910 - DX
8	080732110 - SX
10	302510900 - 4X4X8
11	290401600 - 12-28-12
12	080632500
13	290602000 - 22-28-14
14	080634800
15	300201400 - M4X10
16	162101400 - LH
16	162101500 - RH
18	290102300 - 6001-2RS RI..
19	160603401
20	081485211
22	301701200 - M12X1
23	300403900 - M5X5
23	300405900 - M6X5
24	300203000 - M5X14

C0108A07 - HORIZONTAL BORING CHUCK - 40190 - ROVER 22/24

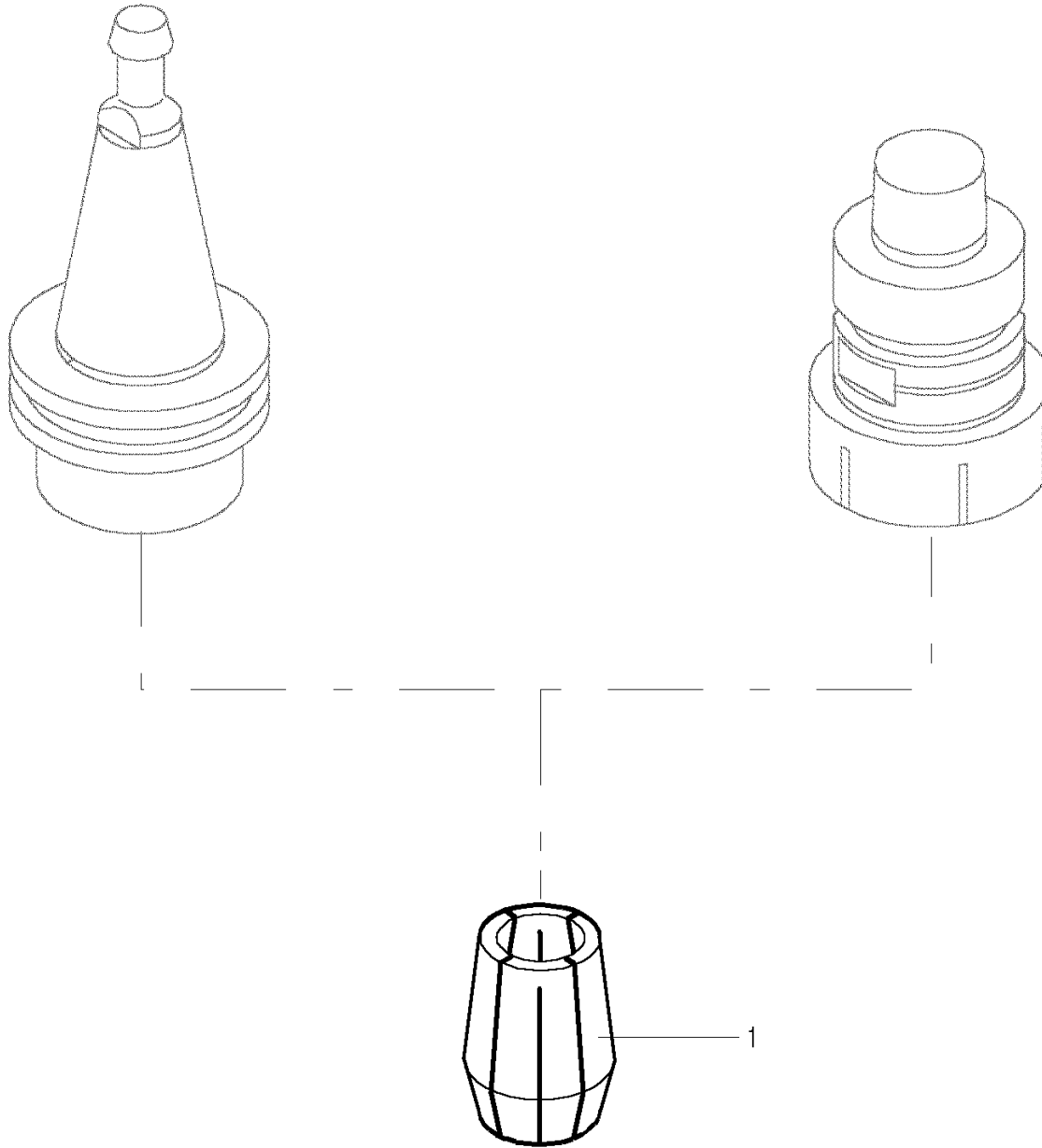
POSITION	DRAWING/COMPONENT	DESCRIPTION
1	270704800	JOINT - W725-10-10XX SITME
2	300437100	SCREW - M4X6
3	300401900	SCREW - M4X4
4	090529310	SUPPORT
6	080460600	SCREW - M8X10
7	300480000	SCREW - M8X8
8	080731910	SPINDLE - DX
8	080732110	SPINDLE - SX
10	302510900	TONGUE - 4X4X8
11	290401600	BEARING - 12-28-12
12	080632500	SPACER
13	290602000	BEARING - 22-28-14
14	080634800	SPACER
15	300201400	SCREW - M4X10
16	162101400	BEVEL GEAR SET - LH
16	162101500	BEVEL GEAR SET - RH
18	290102300	BEARING - 6001-2RS RIV-SKF
19	160603401	SPACER
20	081485211	PLATE
22	301701200	RING NUT - M12X1
23	300403900	SCREW - M5X5
23	300405900	SCREW - M6X5
24	300203000	SCREW - M5X14





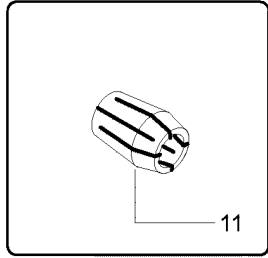
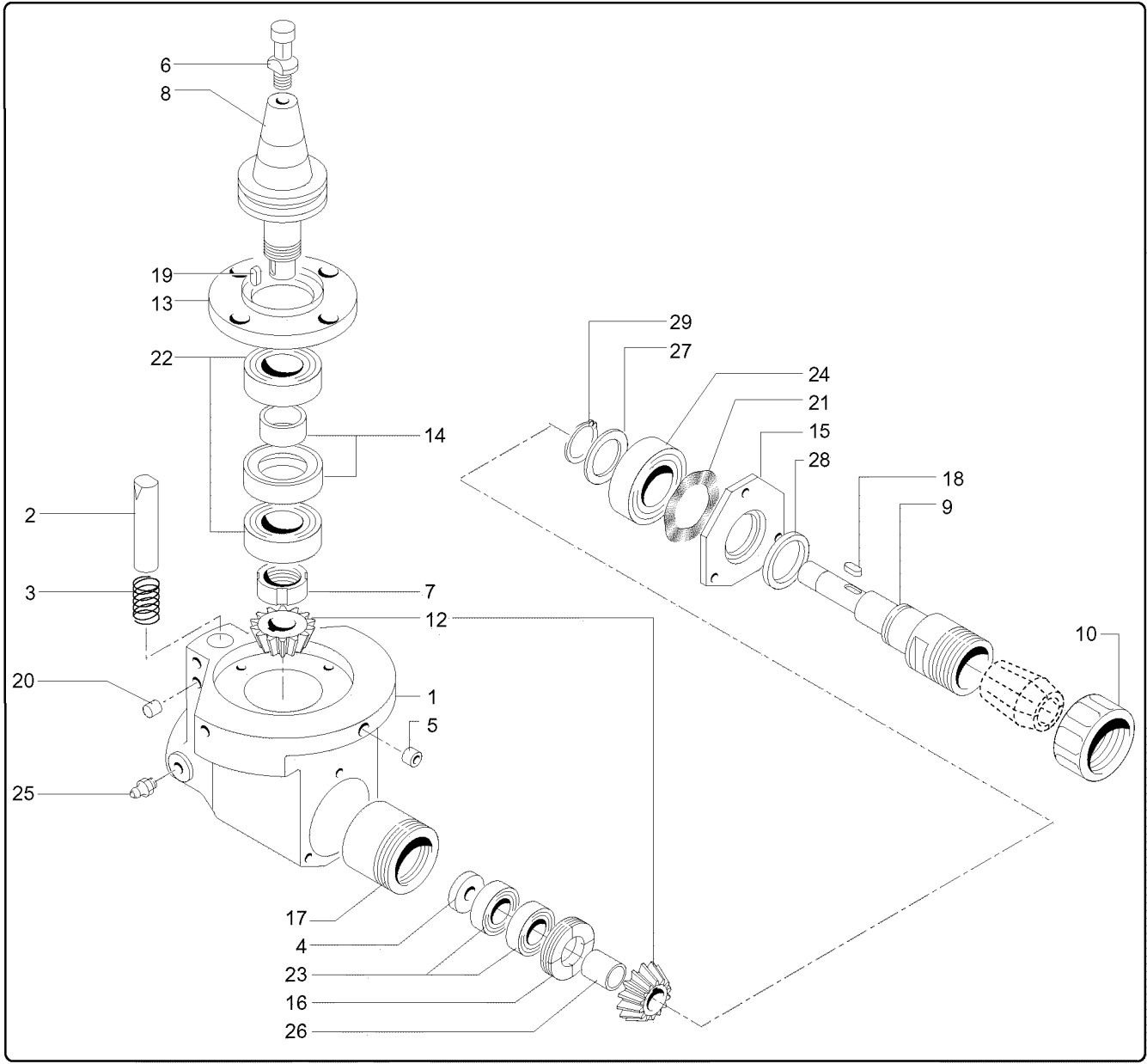


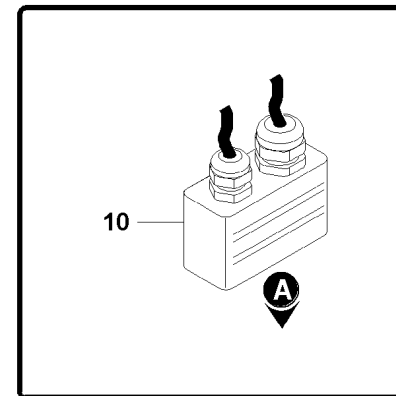
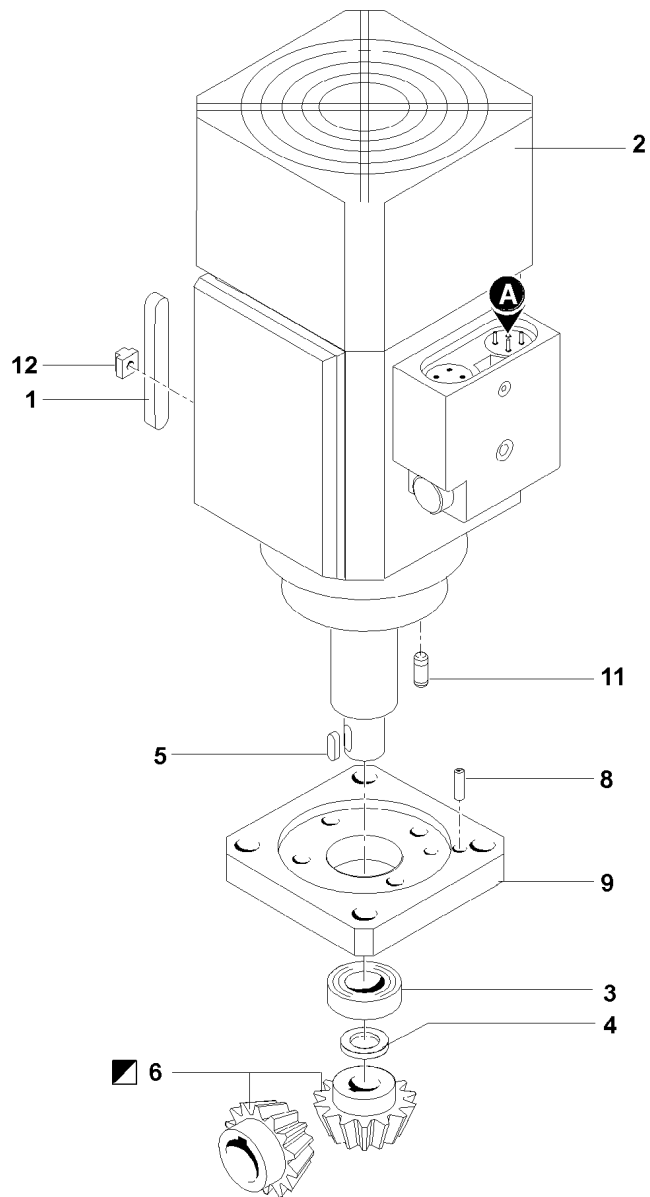
1 340706700 - D=19-20 ERC..



C0270A01 - ELASTIC COLLET - 40190 - ROVER 22/24

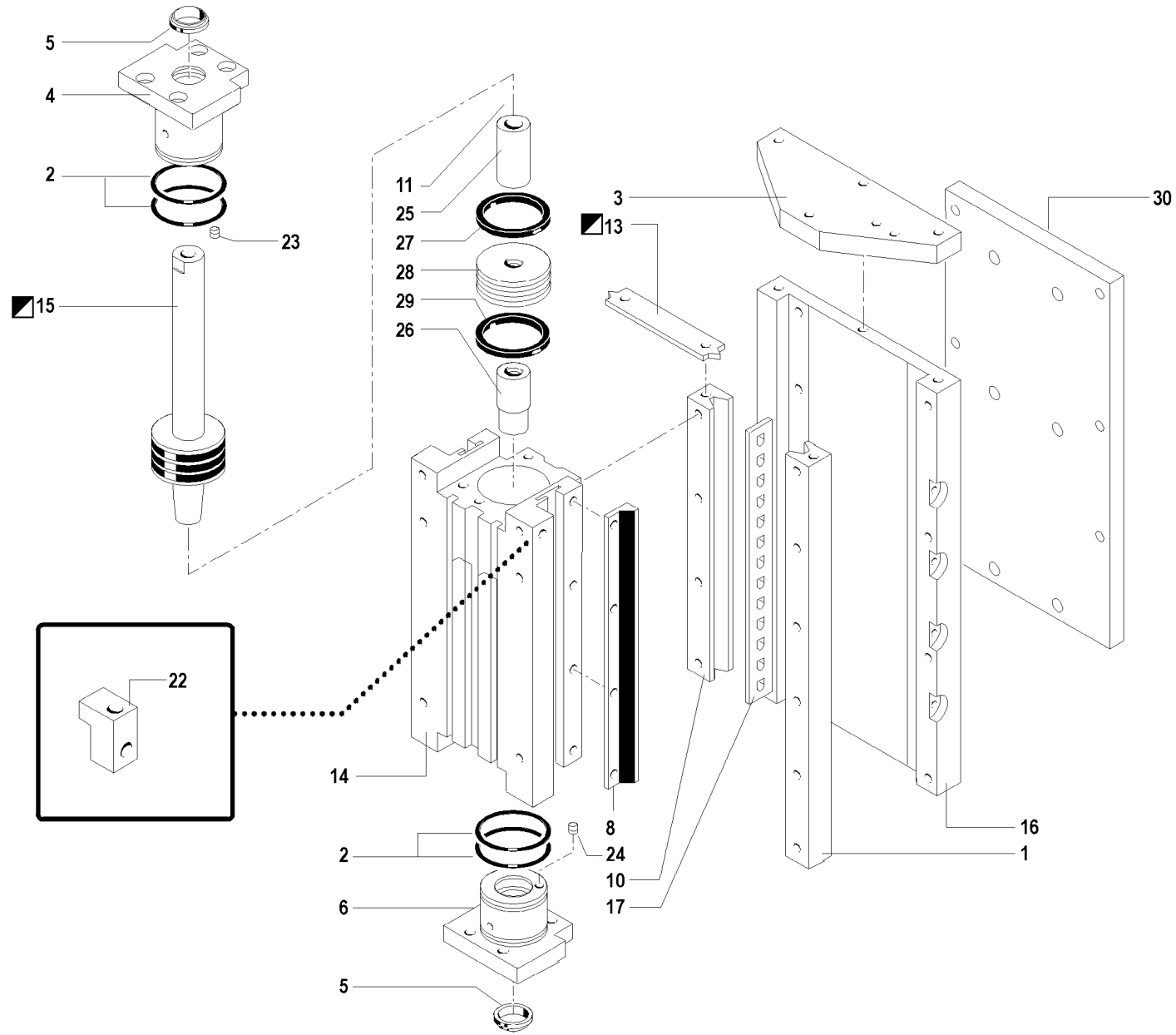
POSITION	DRAWING/COMPONENT	DESCRIPTION
1	340706700	ELASTIC COLLET - D=19-20 ERC 32

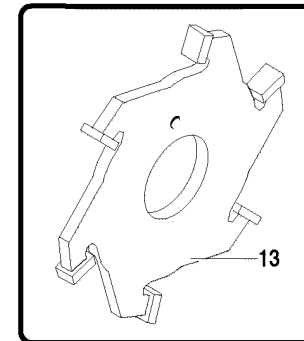
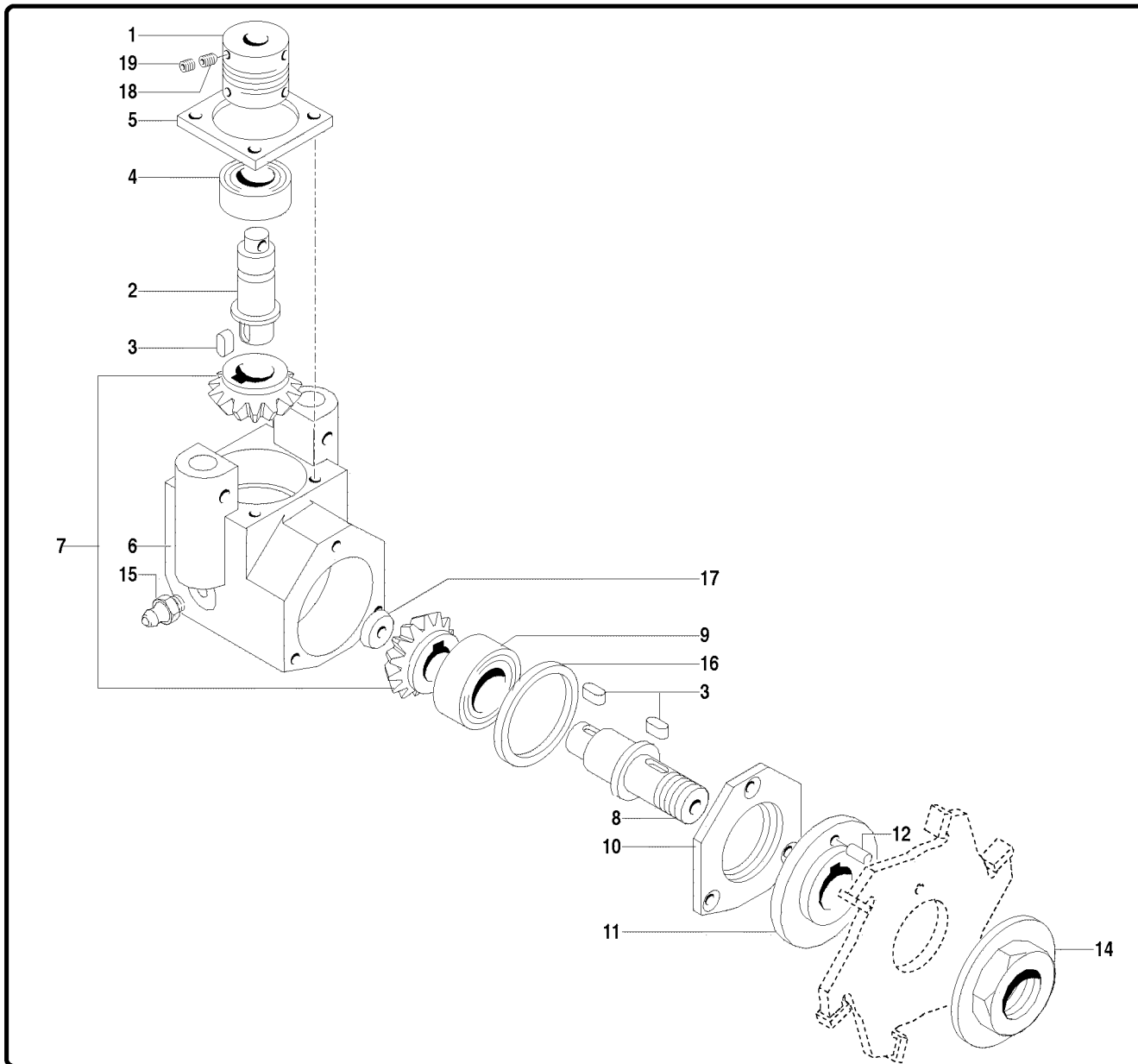




C0273A06 - ELECTROSPINDLE - D=180 mm - 40190 - ROVER 22/24

POSITION	DRAWING/COMPONENT	DESCRIPTION
10	M0131A00	CONNECTOR

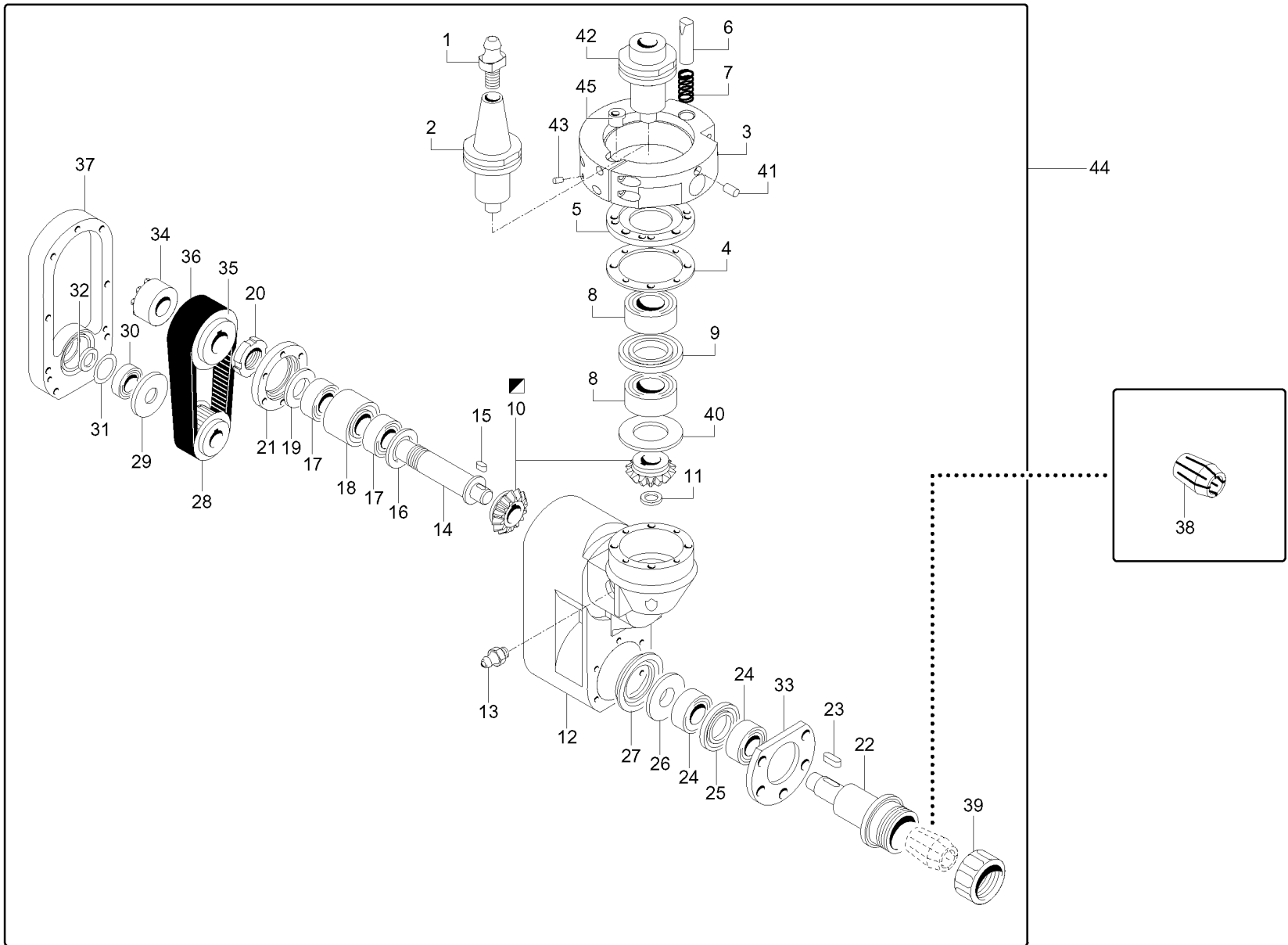


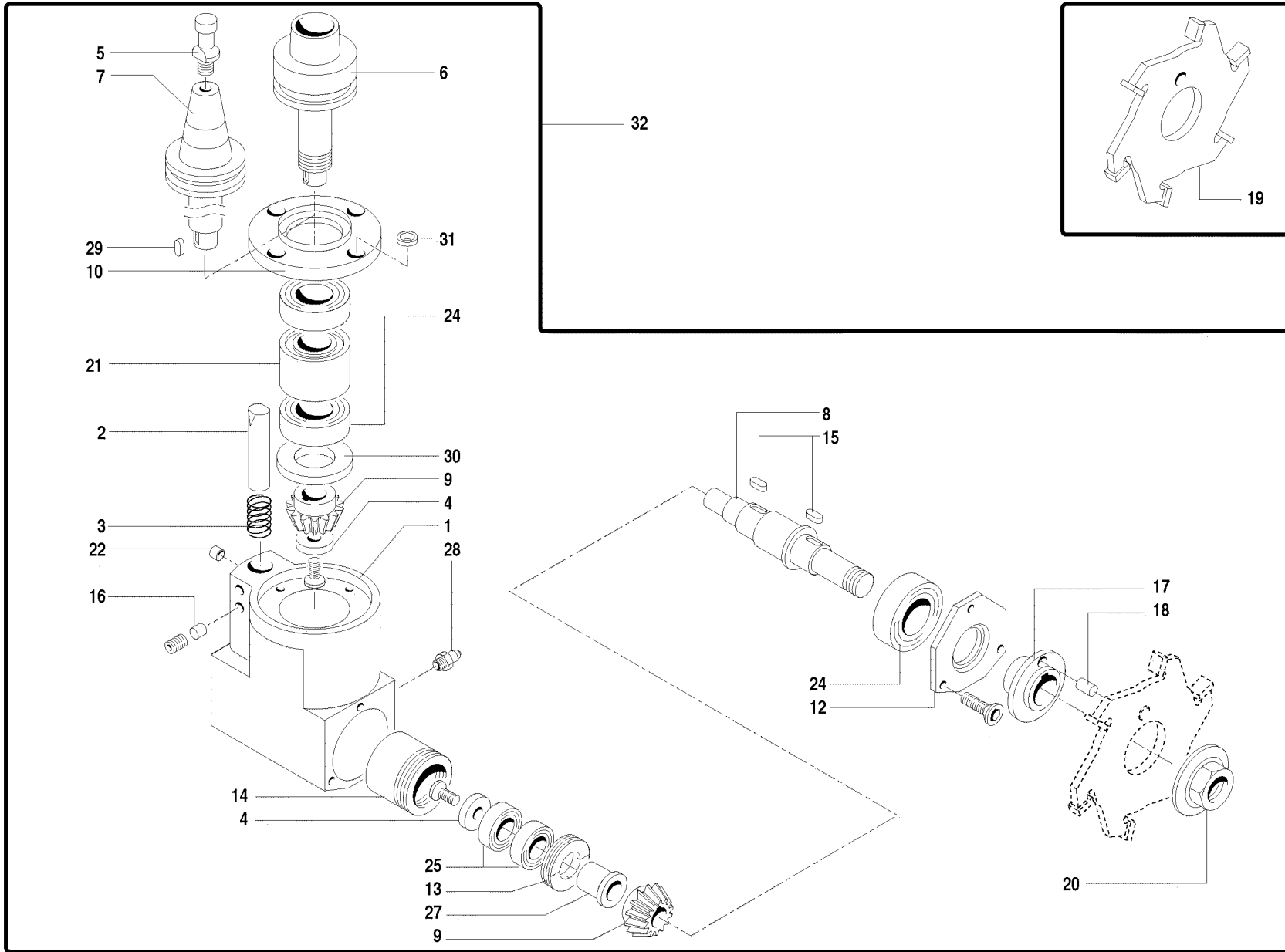


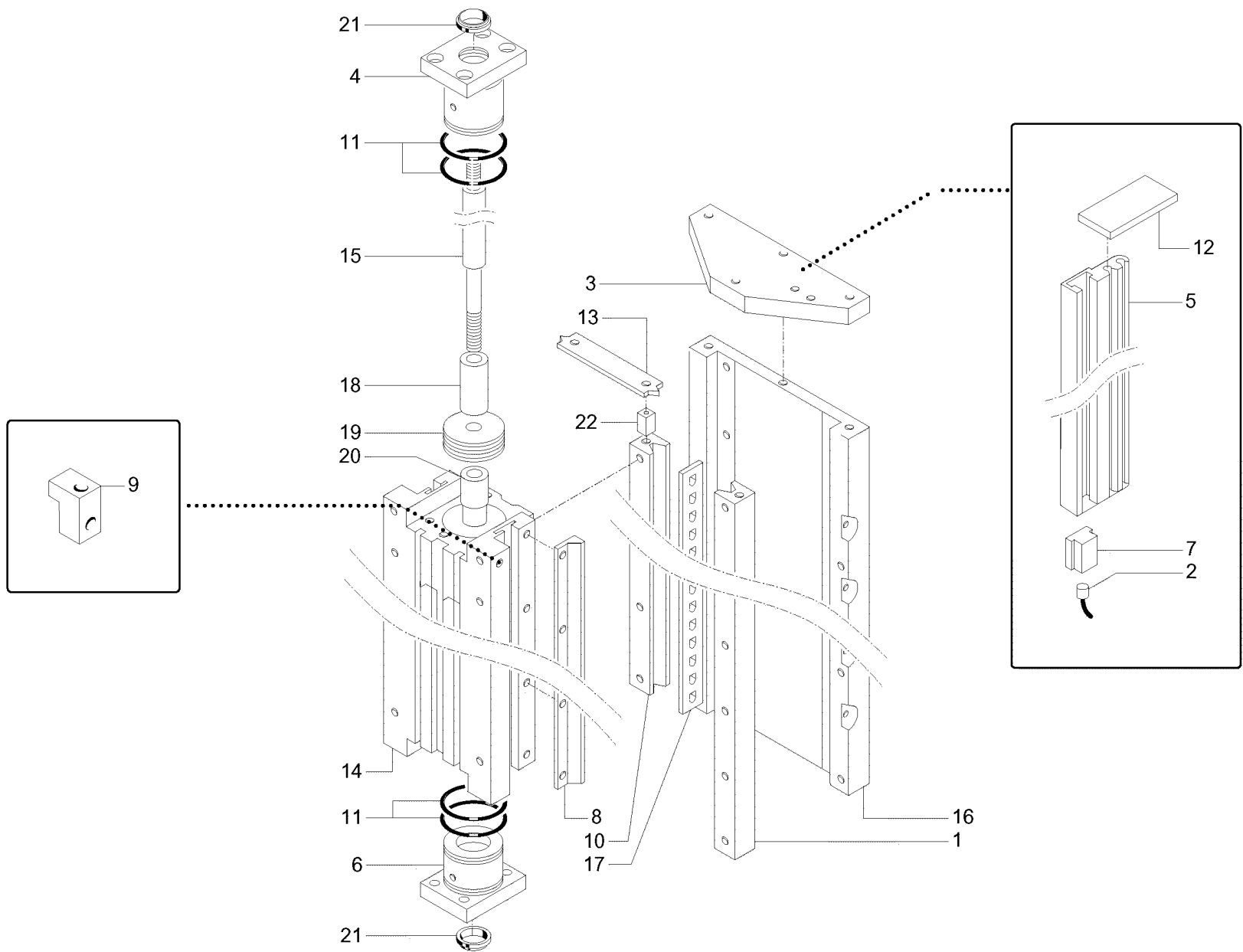
- 1 2707A0009 - W7 30-10-10..
- 2 080755100
- 3 302514000 - 5X5X10
- 4 290402400 - 15-42-19
- 5 080123300
- 6 0905A0105
- 7 162100801
- 8 0807A0010
- 9 290401500 - 20-47-20,6
- 10 090840100
- 11 0801A0112
- 12 292200200
- 13 340102001 - D=120
- 14 080105304 - RH
- 15 260500700
- 16 0806A0014
- 17 0804A0017
- 18 300403900 - M5X5
- 19 300439000 - M5X6

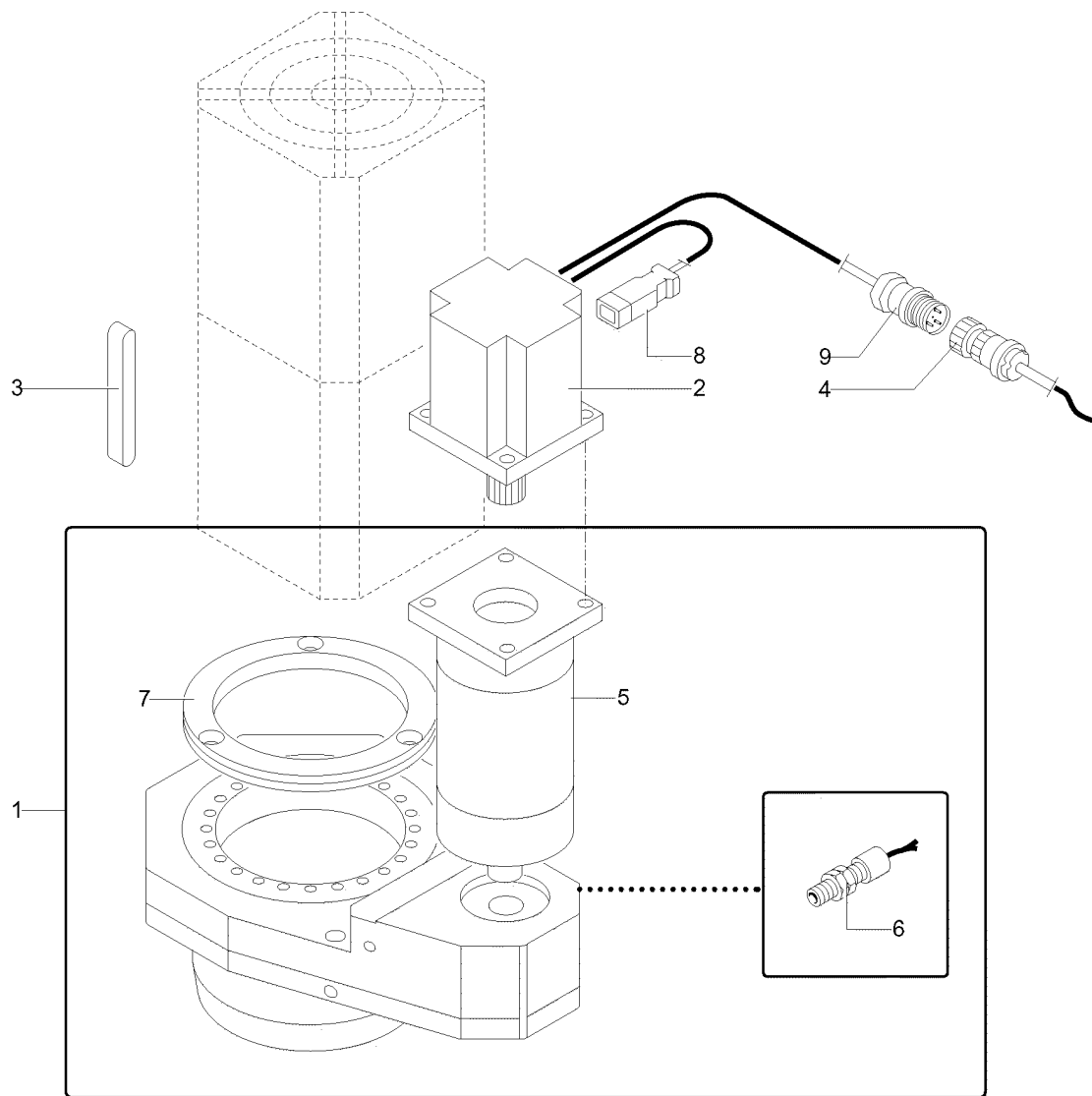
C0334A04 - MILLING CUTTER - 40190 - ROVER 22/24

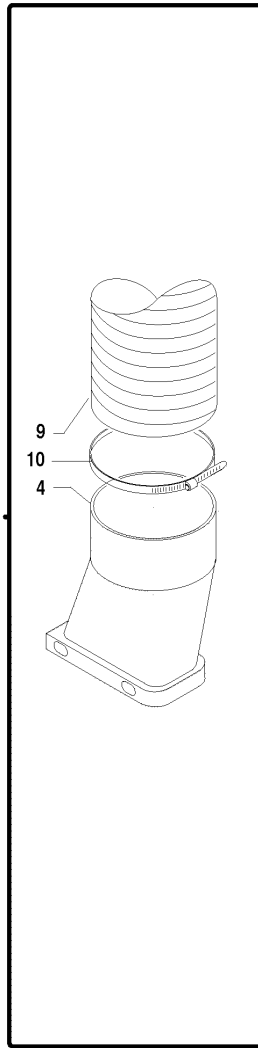
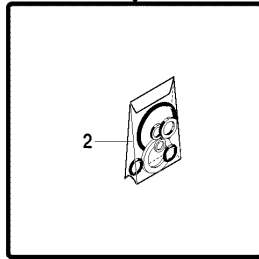
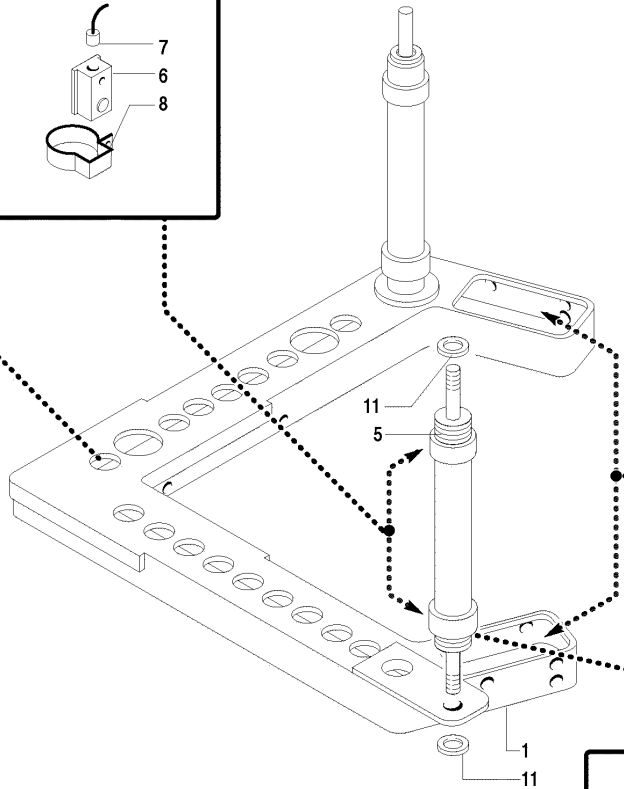
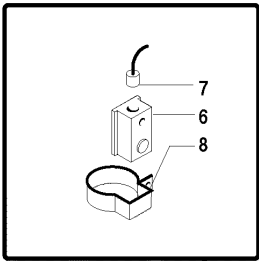
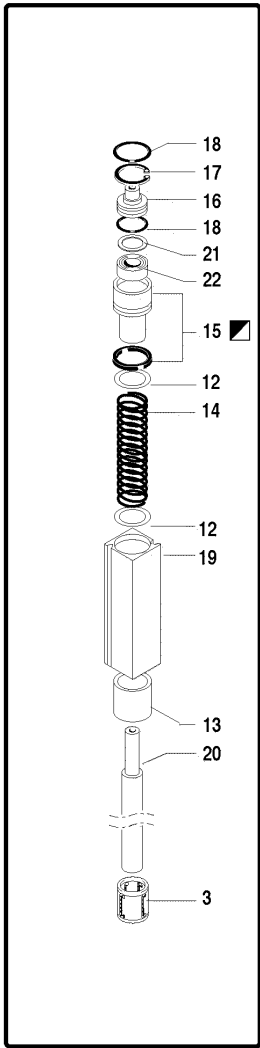
POSITION	DRAWING/COMPONENT	DESCRIPTION
1	2707A0009	JOINT - W7 30-10-10 HELY-CAL
2	080755100	SHAFT
3	302514000	TONGUE - 5X5X10
4	290402400	BEARING - 15-42-19
5	080123300	FLANGE
6	0905A0105	SUPPORT
7	162100801	BEVEL GEAR SET
8	0807A0010	SHAFT
9	290401500	BEARING - 20-47-20,6
10	090840100	PLATE
11	0801A0112	FLANGE
12	292200200	DOWEL
13	340102001	MILLING CUTTER - D=120
14	080105304	FLANGE - RH
15	260500700	GREASING NIPPLE
16	0806A0014	SPACER
17	0804A0017	WASHER
18	300403900	SCREW - M5X5
19	300439000	SCREW - M5X6

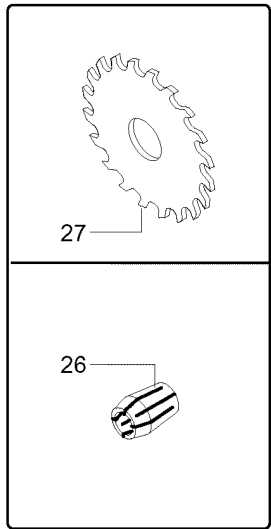




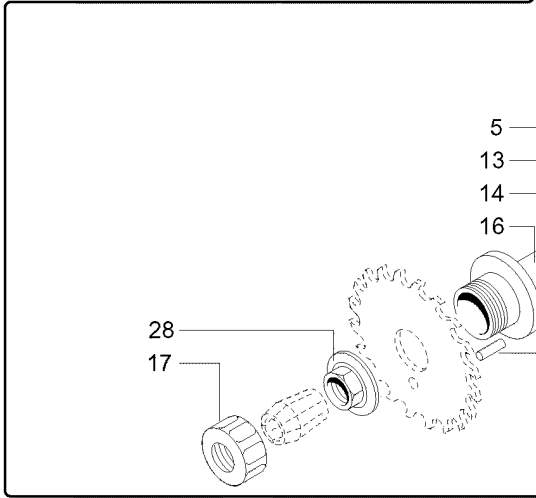
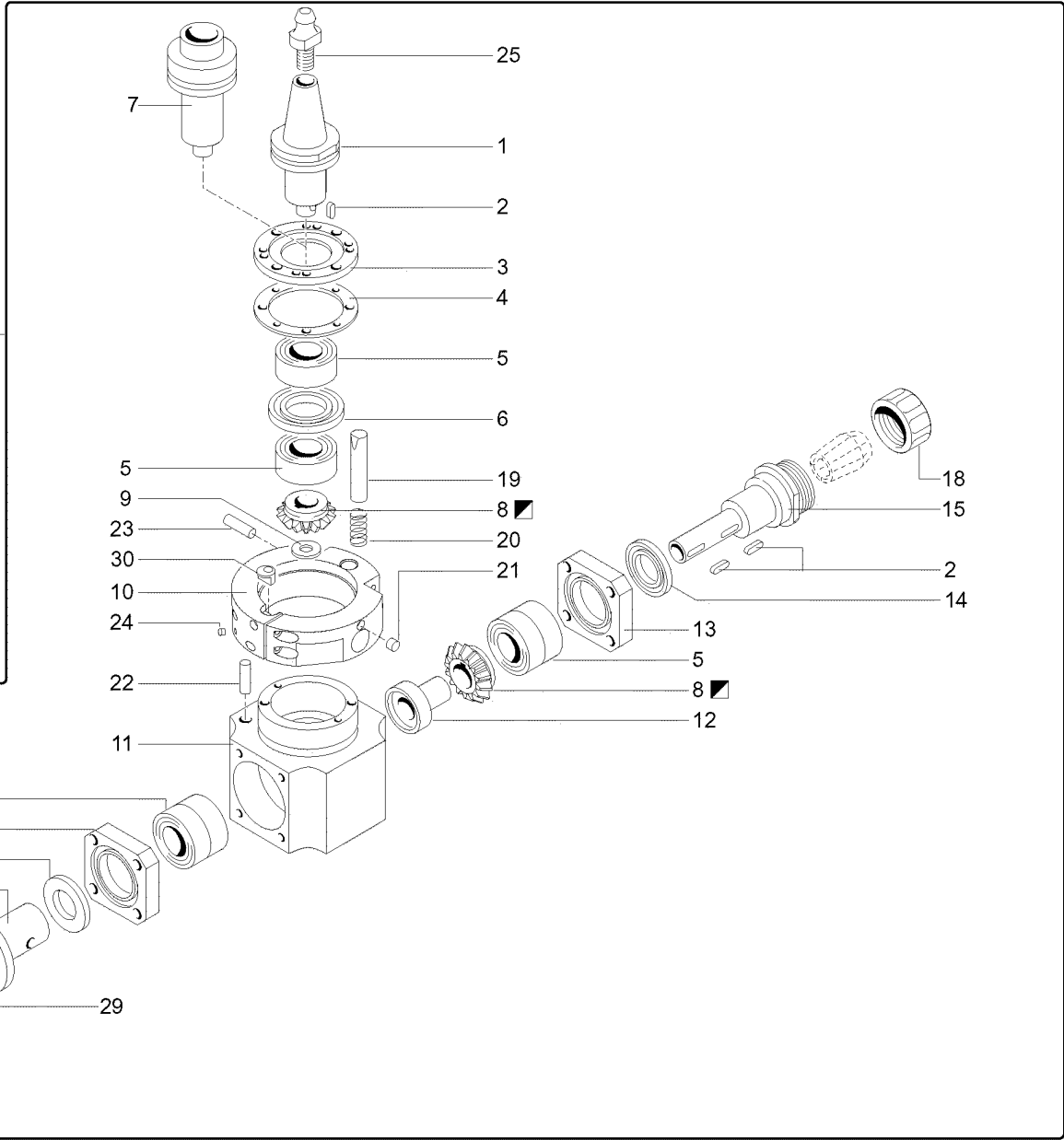


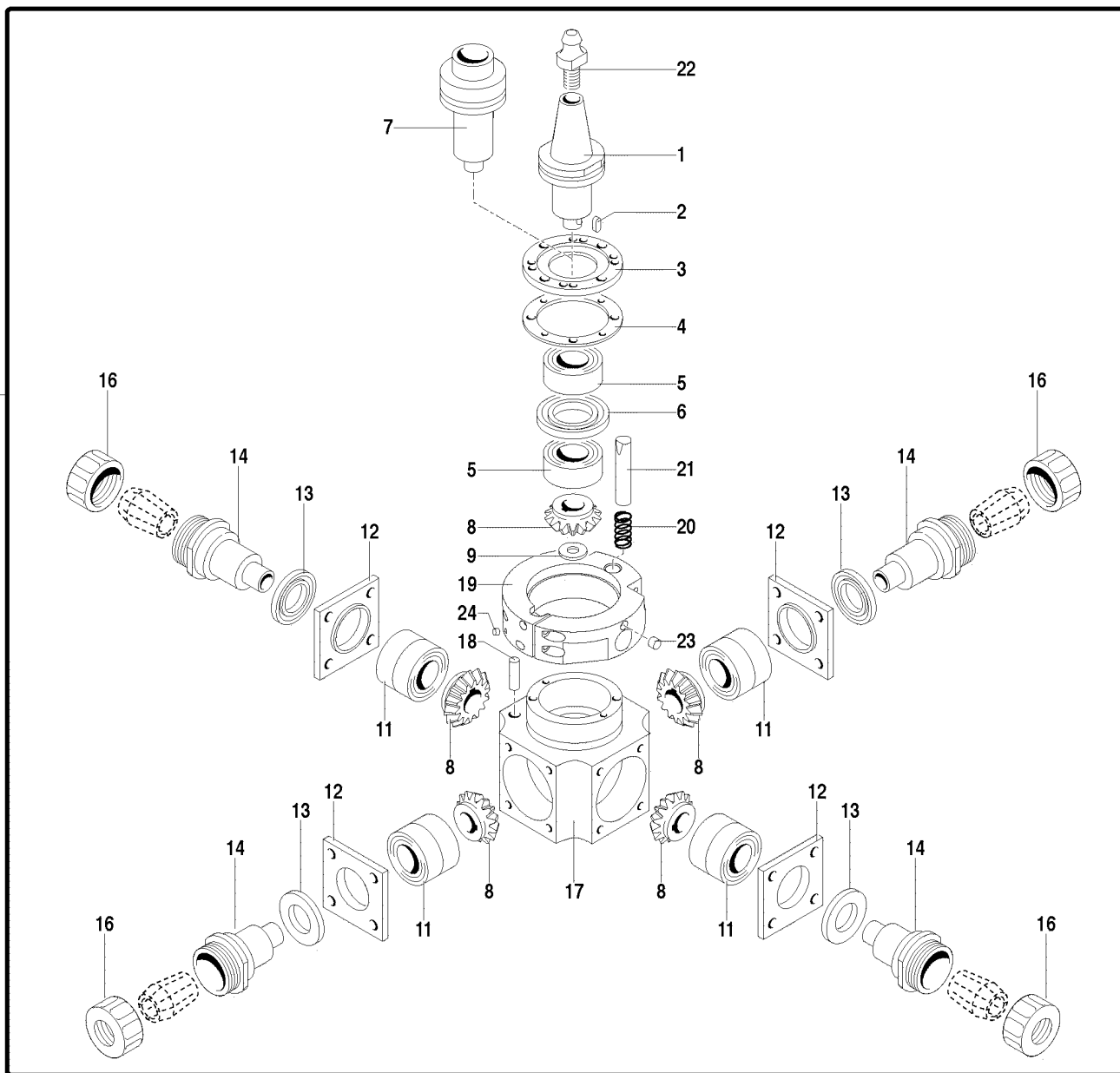


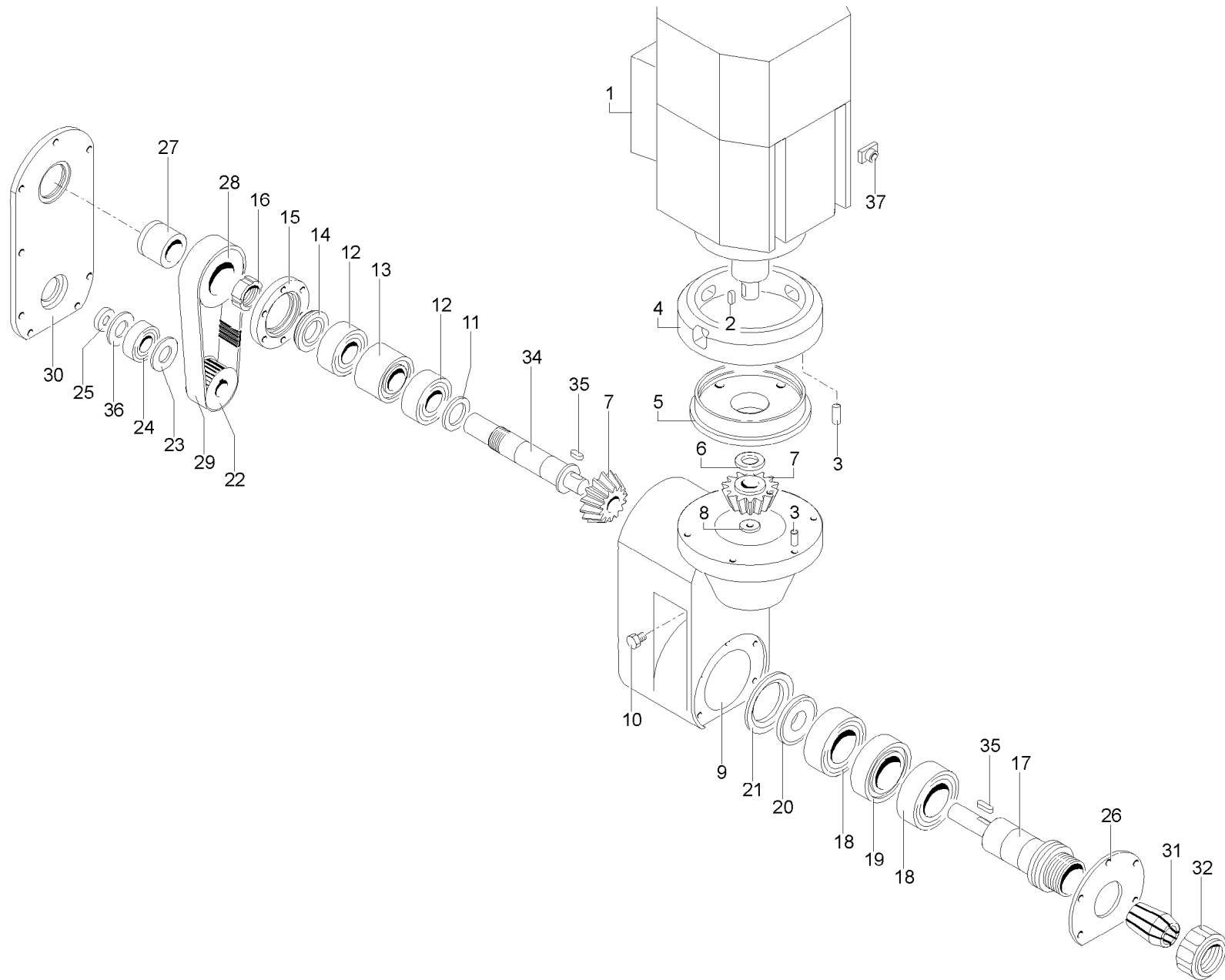


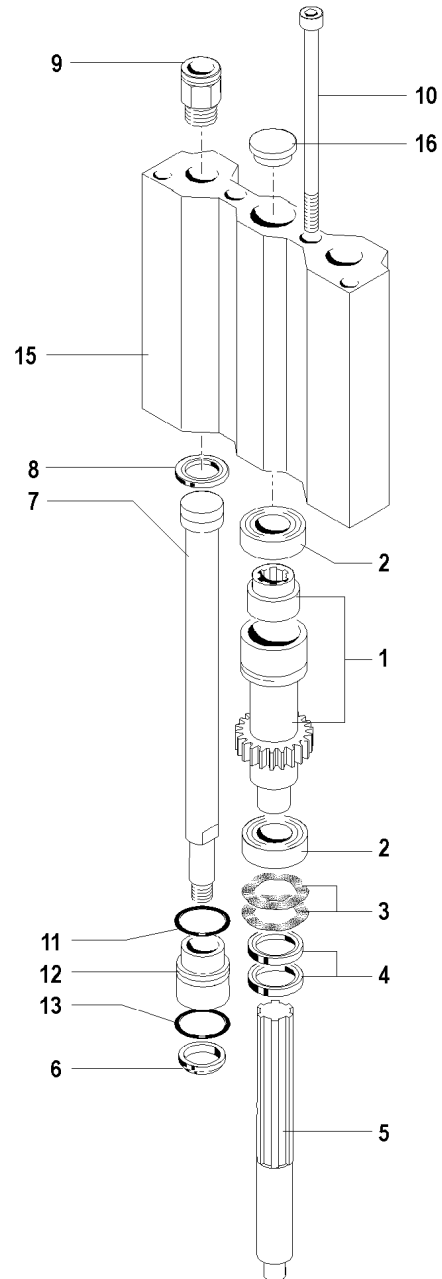


31





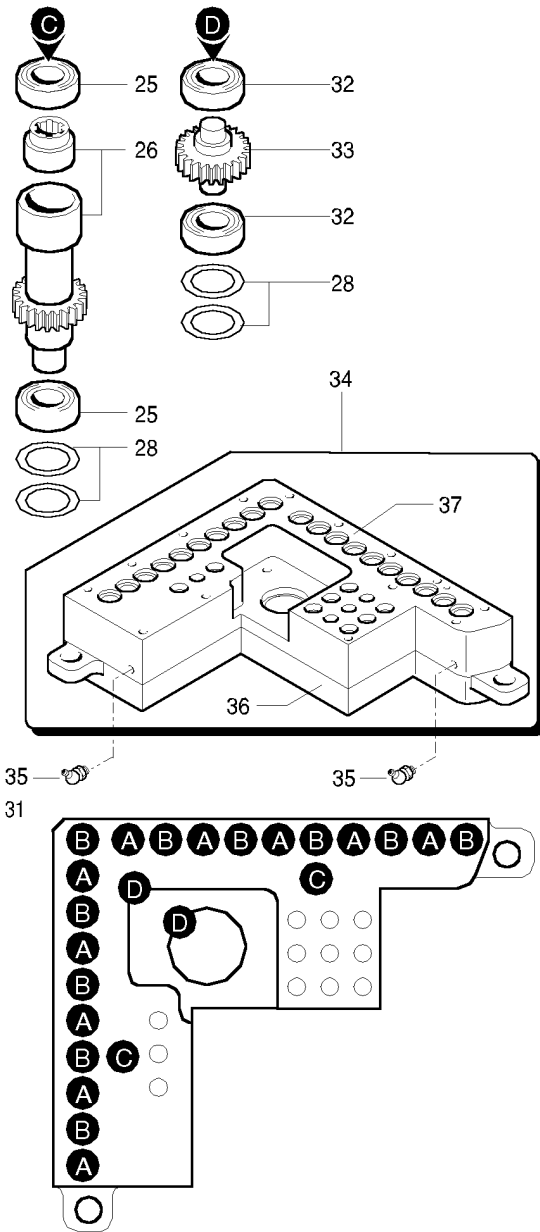
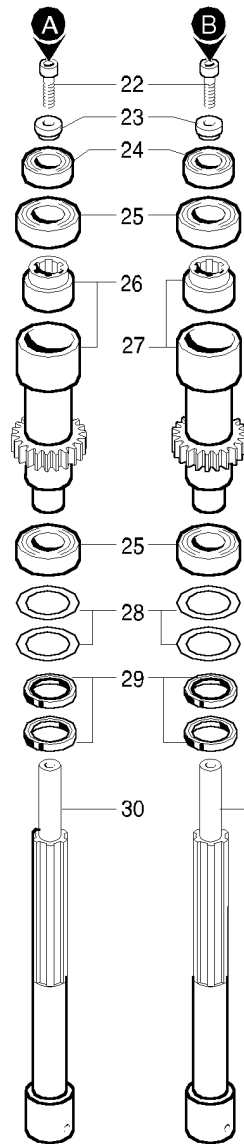
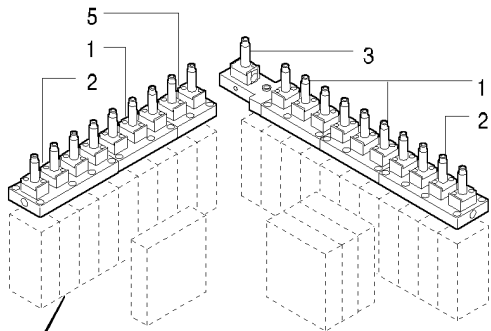
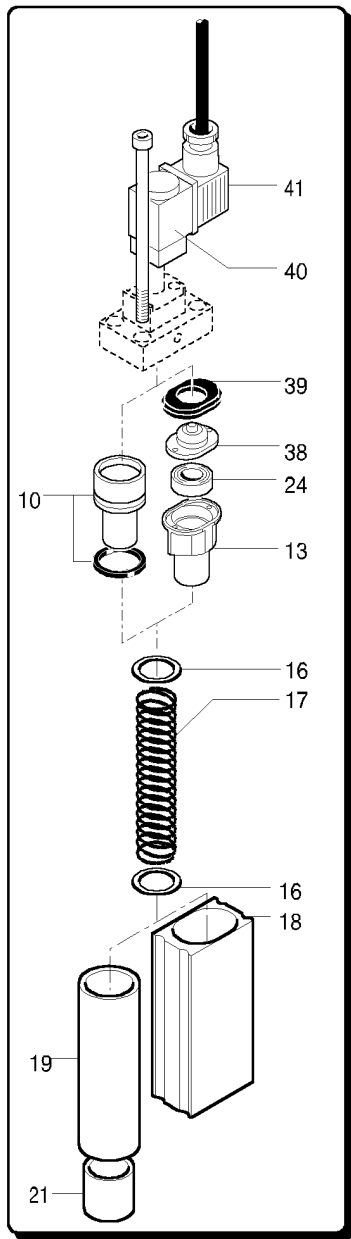


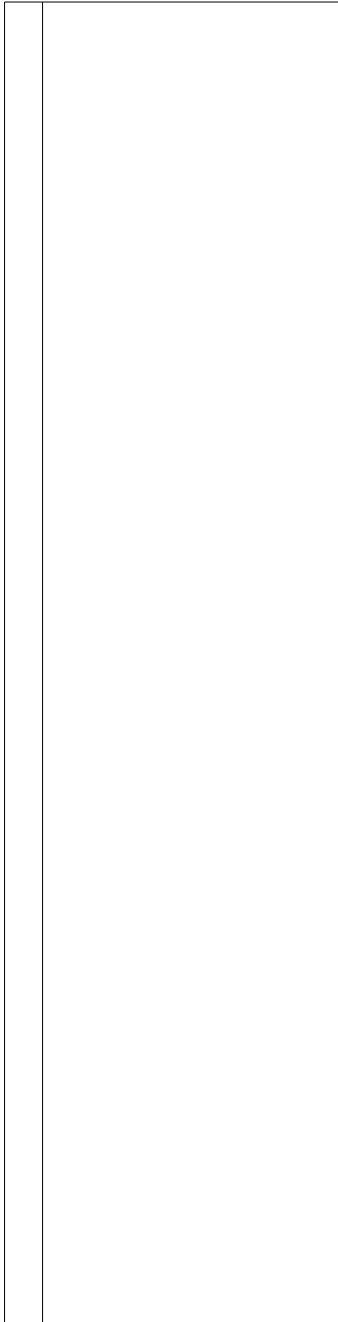
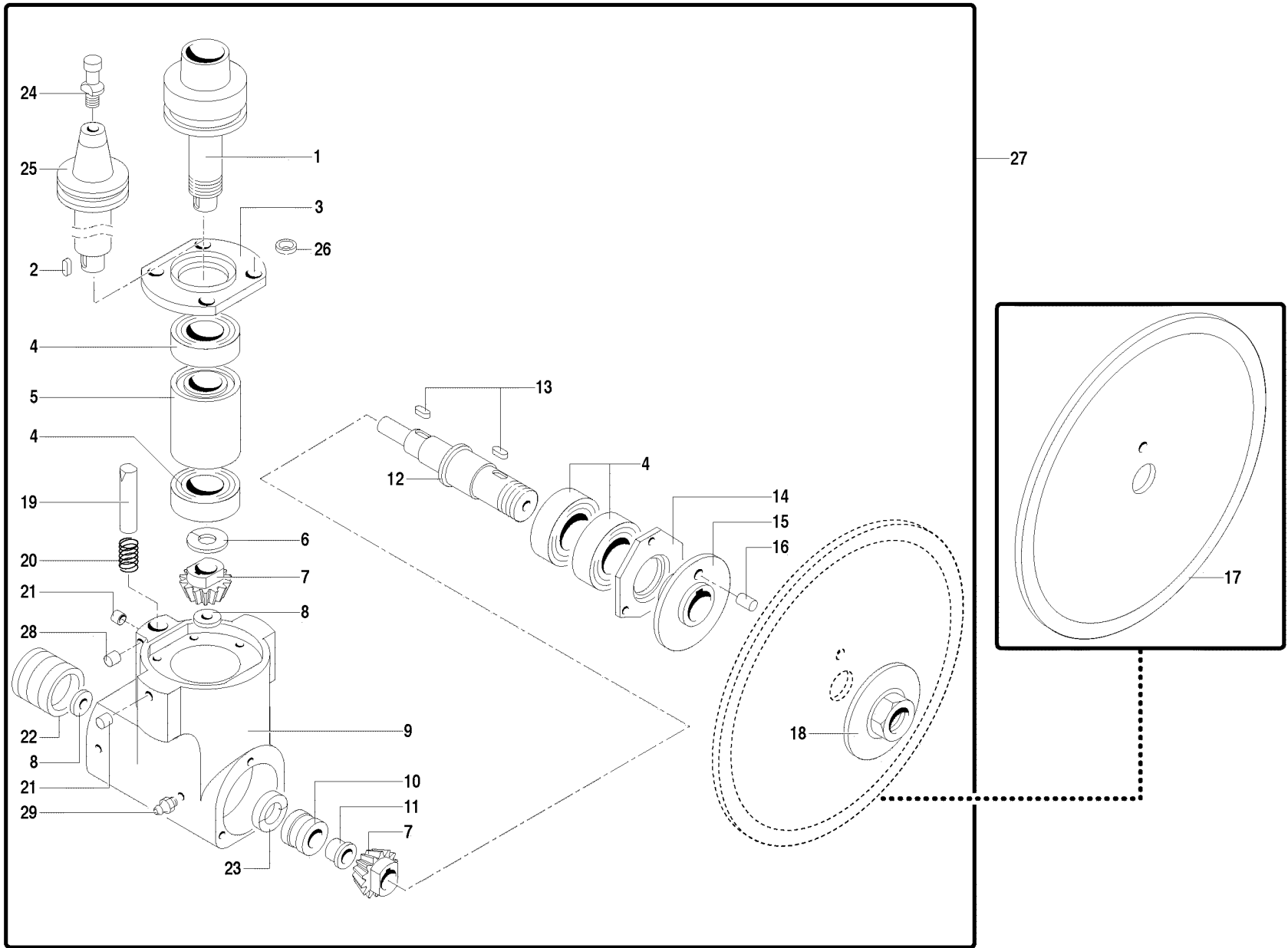


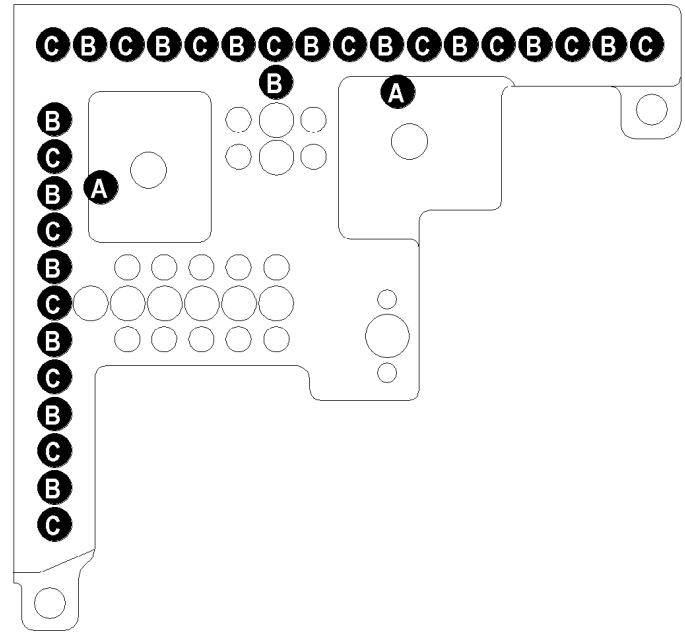
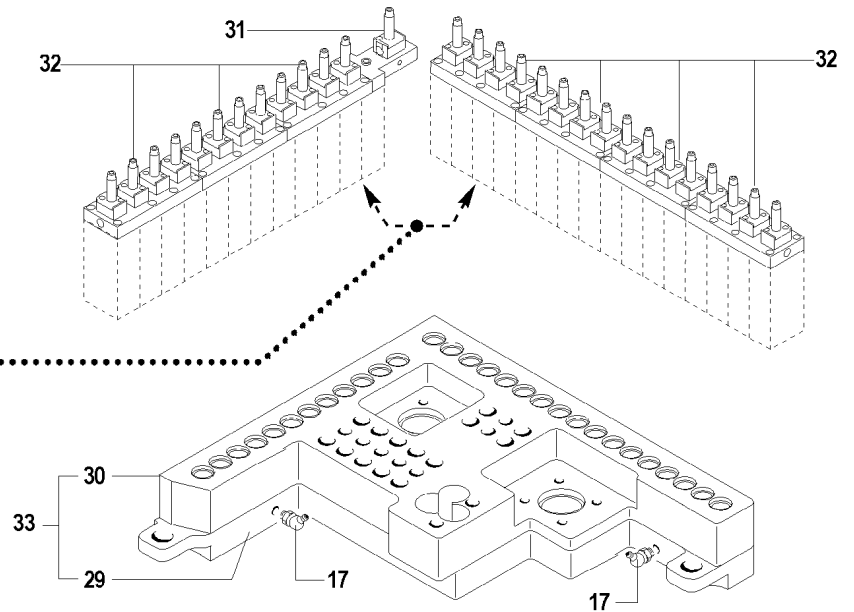
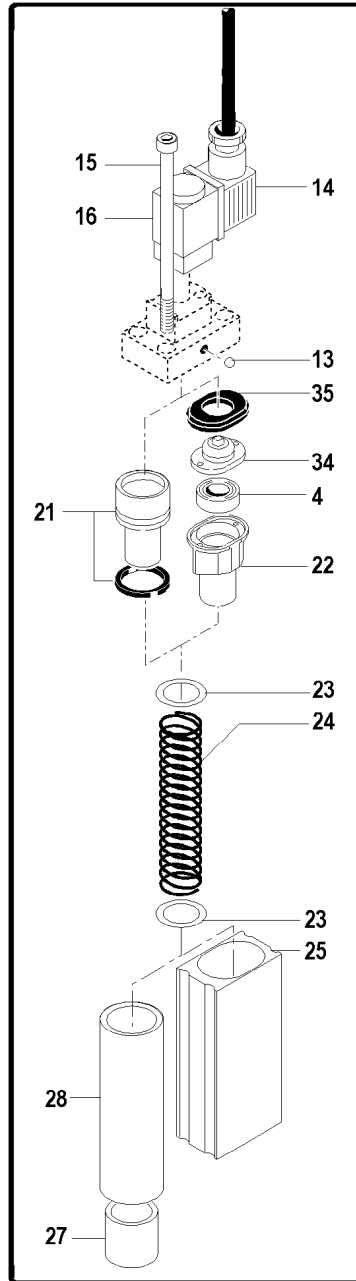
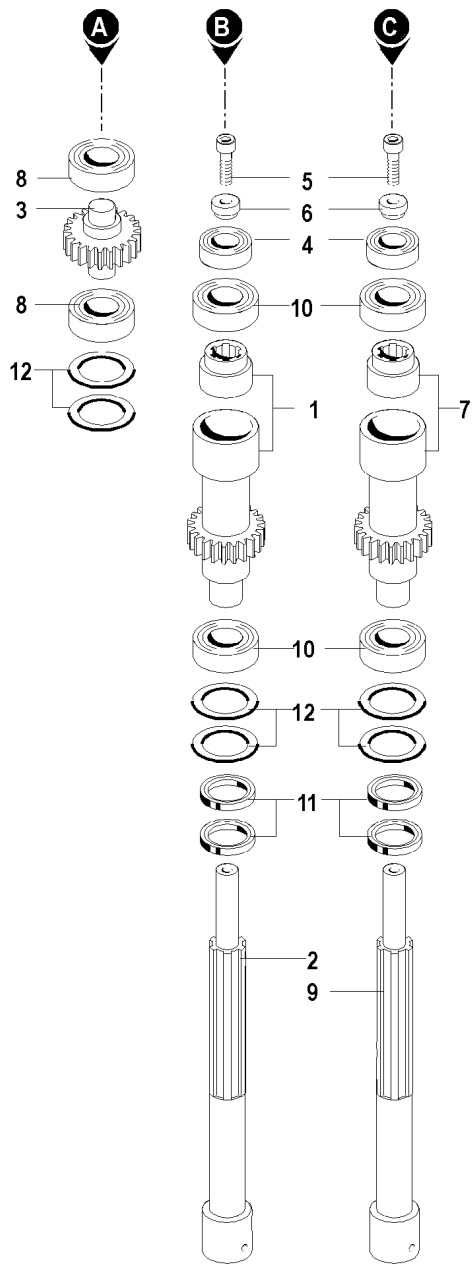
- 1 1621A0007 - SX
- 1 1621A0008 - DX
- 2 293000200 - Di=20 De=32 ..
- 3 280700400
- 4 311402200 - G16X22X3
- 5 080747001
- 6 311402000 - G15-21-3
- 7 081522303
- 8 310701000 - PK 20
- 9 2401A0023 - d=6 f=3/8
- 10 300204100 - M5X60
- 11 311001700 - OR 2068
- 12 0817A0013
- 13 311003700 - OR 119
- 15 0916A0021
- 16 240322100 - D=15.9

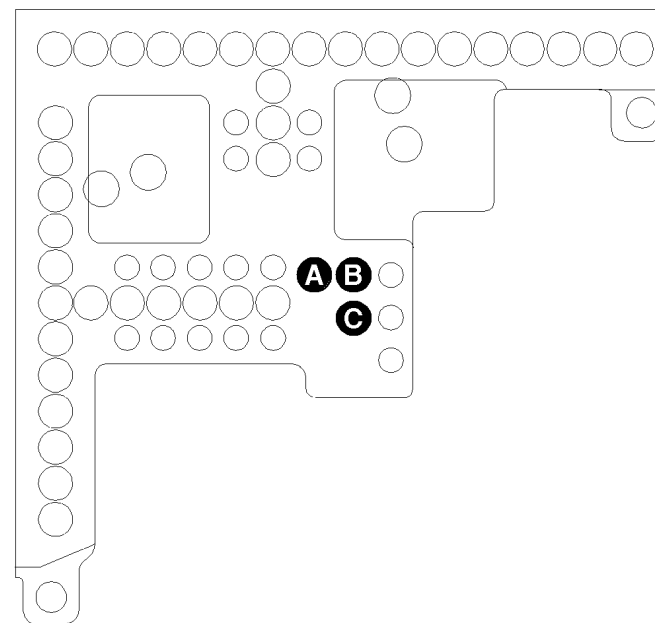
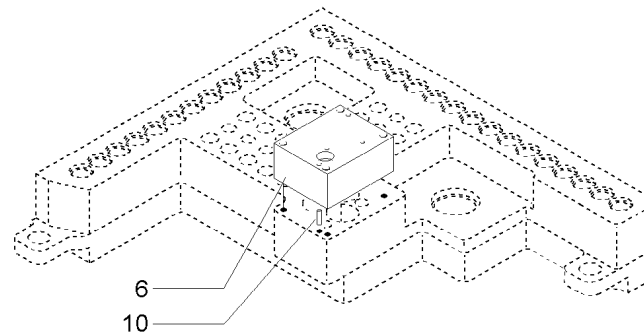
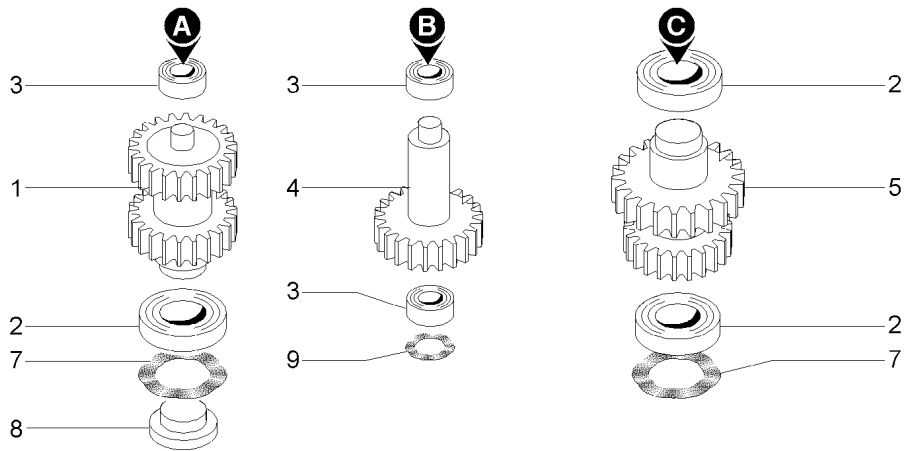
C0446A01 - SLIDING UNIT - 40190 - ROVER 22/24

POSITION	DRAWING/COMPONENT	DESCRIPTION
1	1621A0007	GEAR WHEEL - SX
1	1621A0008	GEAR WHEEL - DX
2	293000200	BEARING - DI=20 DE=32 L=7
3	280700400	RING
4	311402200	RING - G16X22X3
5	080747001	SPINDLE
6	311402000	RING - G15-21-3
7	081522303	PISTON
8	310701000	GASKET - PK 20
9	2401A0023	CONNECTOR - D=6 F=3/8
10	300204100	SCREW - M5X60
11	311001700	GASKET - OR 2068
12	0817A0013	BUSHING
13	311003700	RING - OR 119
15	0916A0021	CYLINDER LINER
16	240322100	PLUG - D=15.9





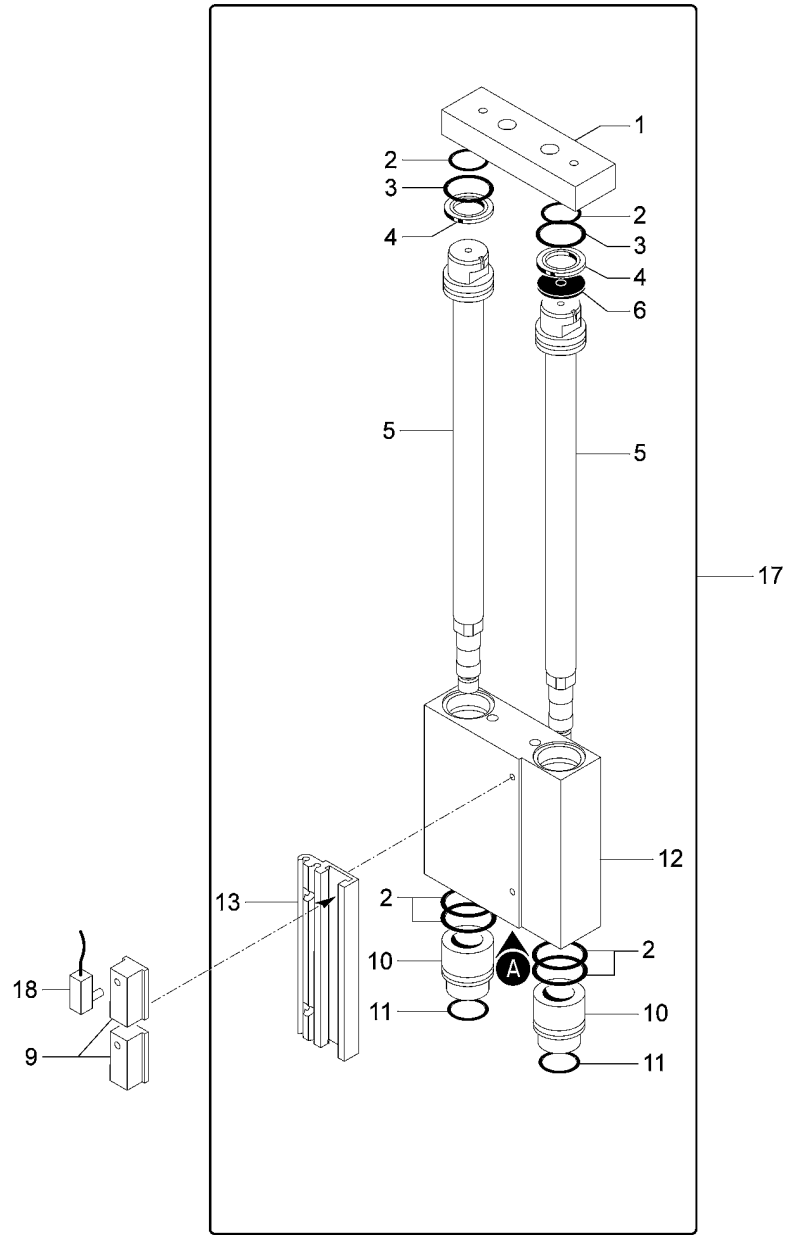
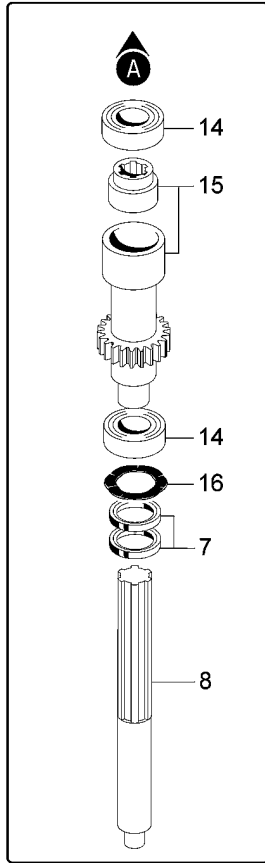




- 1 0821A0076
- 2 293000200 - Di=20 De=32 ..
- 3 290101700 - 6000-2RSH
- 4 082129000
- 5 082129100
- 6 0908A0144 - MILLING CUT..
- 9 2807A0001
- 10 082001101 - 8X28

C0464A01 - BORING UNIT - 40190 - ROVER 22/24

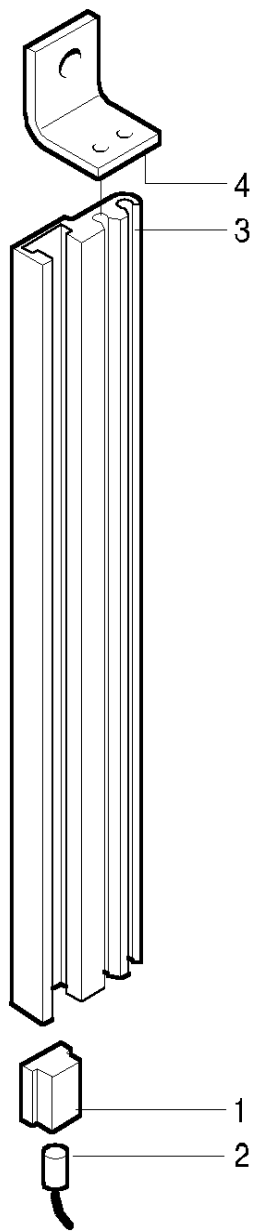
POSITION	DRAWING/COMPONENT	DESCRIPTION
1	0821A0076	GEAR
2	293000200	BEARING - DI=20 DE=32 L=7
3	290101700	BEARING - 6000-2RSH
4	082129000	GEAR
5	082129100	GEAR
6	0908A0144	COVER - MILLING CUTTER
9	2807A0001	RING
10	082001101	DOWEL - 8X28



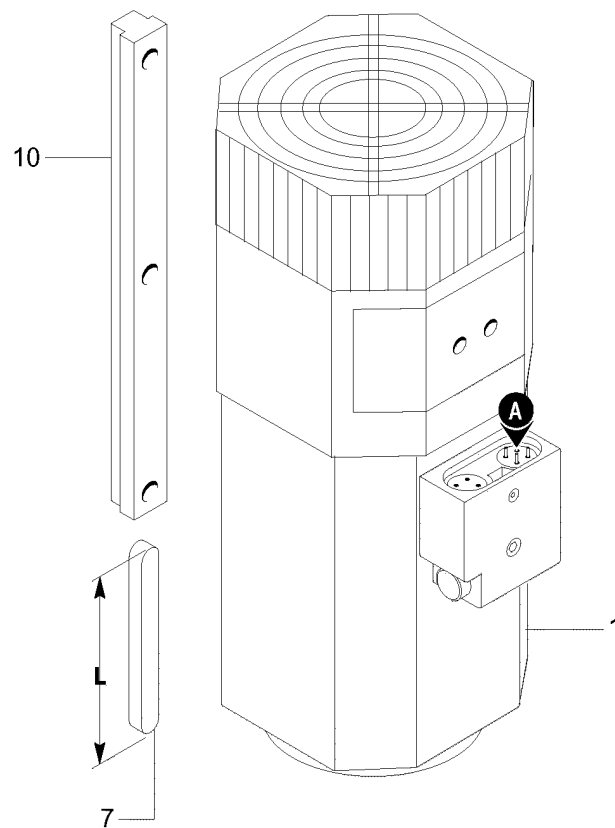
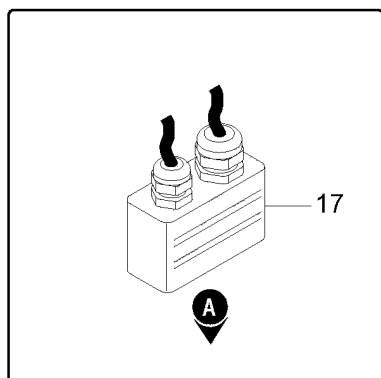
- 1 0908A0237
- 2 311002000 - OR 2087
- 2 311402000 - G15-21-3
- 3 311008000 - OR 4081
- 4 310700600 - PK 25
- 5 0815A0138
- 6 2040A0005
- 7 311402200 - G16X22X3
- 8 080747001
- 9 2164A0320
- 10 0817A0091
- 11 311003700 - OR 119
- 12 0916A0052
- 13 0905A0869
- 14 293000200 - Di=20 De=32 ..
- 15 1621A0007 - SX
- 16 280700400
- 17 6327A0226 - D=120
- 18 2138A0254 - L=2.5 m

C0465A05 - SLIDING UNIT - 40190 - ROVER 22/24

POSITION	DRAWING/COMPONENT	DESCRIPTION
1	0908A0237	COVER
2	311002000	RING - OR 2087
2	311402000	RING - G15-21-3
3	311008000	RING - OR 4081
4	310700600	GASKET - PK 25
5	0815A0138	PISTON
6	2040A0005	MAGNET
7	311402200	RING - G16X22X3
8	080747001	SPINDLE
9	2164A0320	SENSOR
10	0817A0091	BUSHING
11	311003700	RING - OR 119
12	0916A0052	CYLINDER LINER
13	0905A0869	SUPPORT
14	293000200	BEARING - DI=20 DE=32 L=7
15	1621A0007	GEAR WHEEL - SX
16	280700400	RING
17	6327A0226	BLADE DRIVE UNIT - D=120
18	2138A0254	CONNECTOR - L=2.5 M

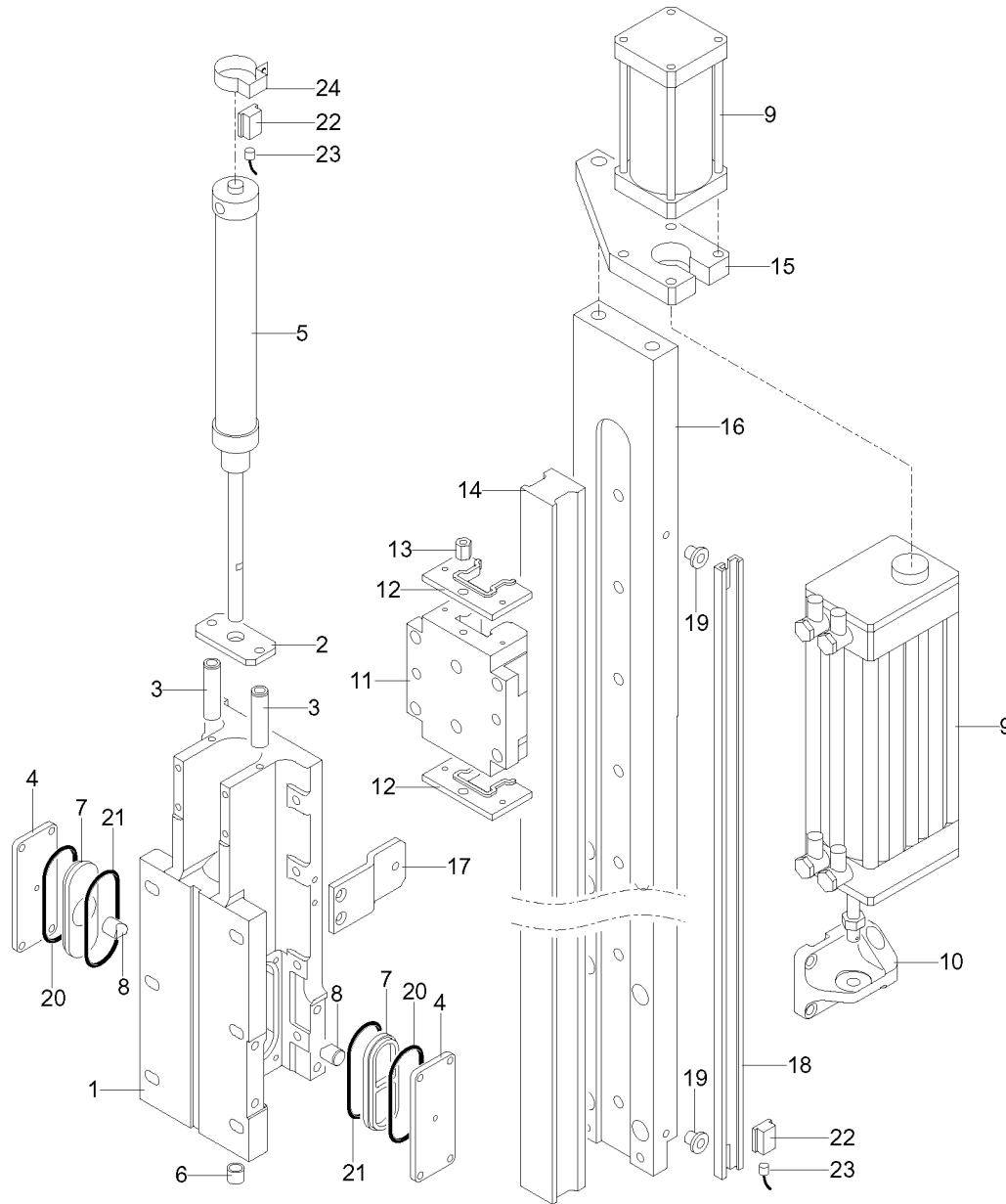


- 1 6410A0126 - 7,5KW ISO 30
- 1 C0554A02
- 7 302521600 - 8X7X90
- 10 0804A0146
- 17 M0131A00



C0491A04 - ELECTROSPINDLE - 40190 - ROVER 22/24

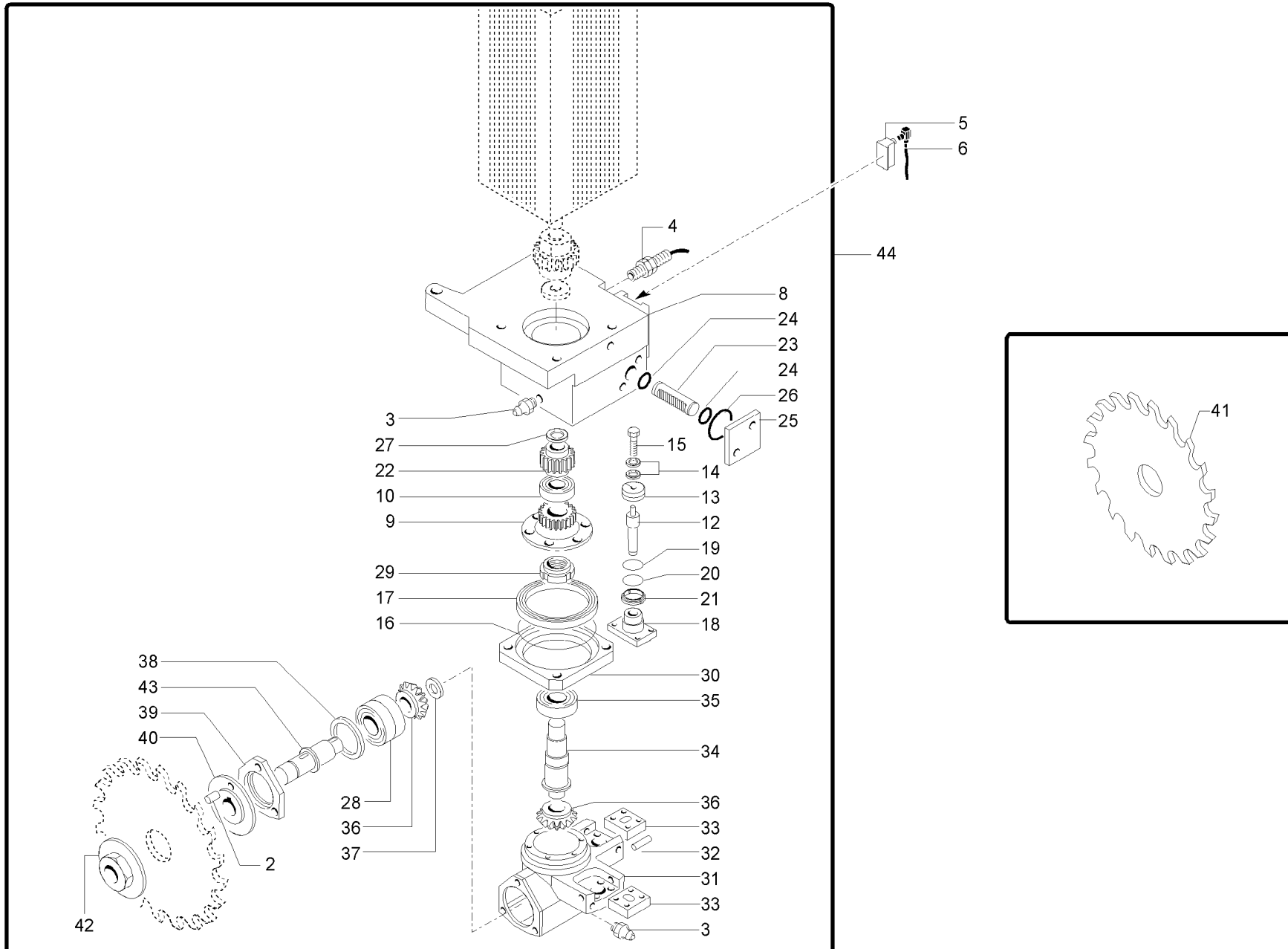
POSITION	DRAWING/COMPONENT	DESCRIPTION
1	6410A0126	ELECTROSPINDLE - 7,5KW ISO 30
1	C0554A02	ELECTROSPINDLE
7	302521600	TONGUE - 8X7X90
10	0804A0146	BAR
17	M0131A00	CONNECTOR

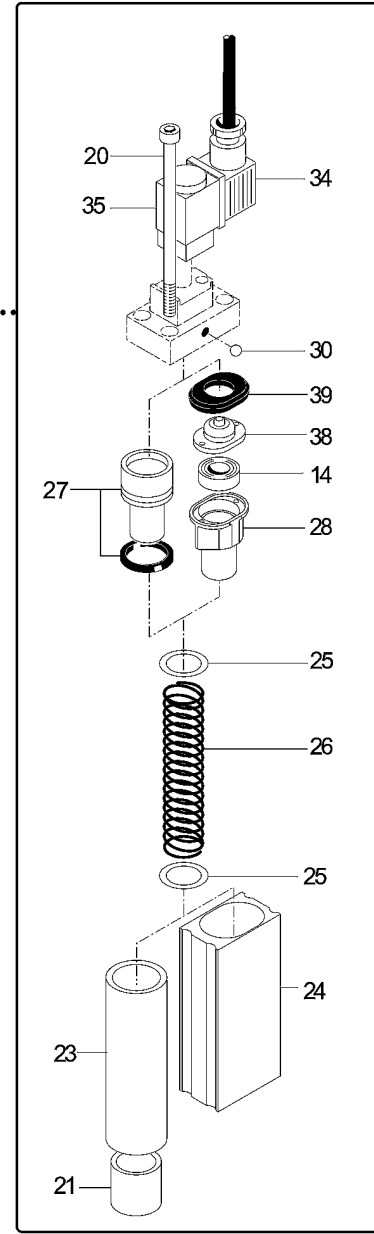
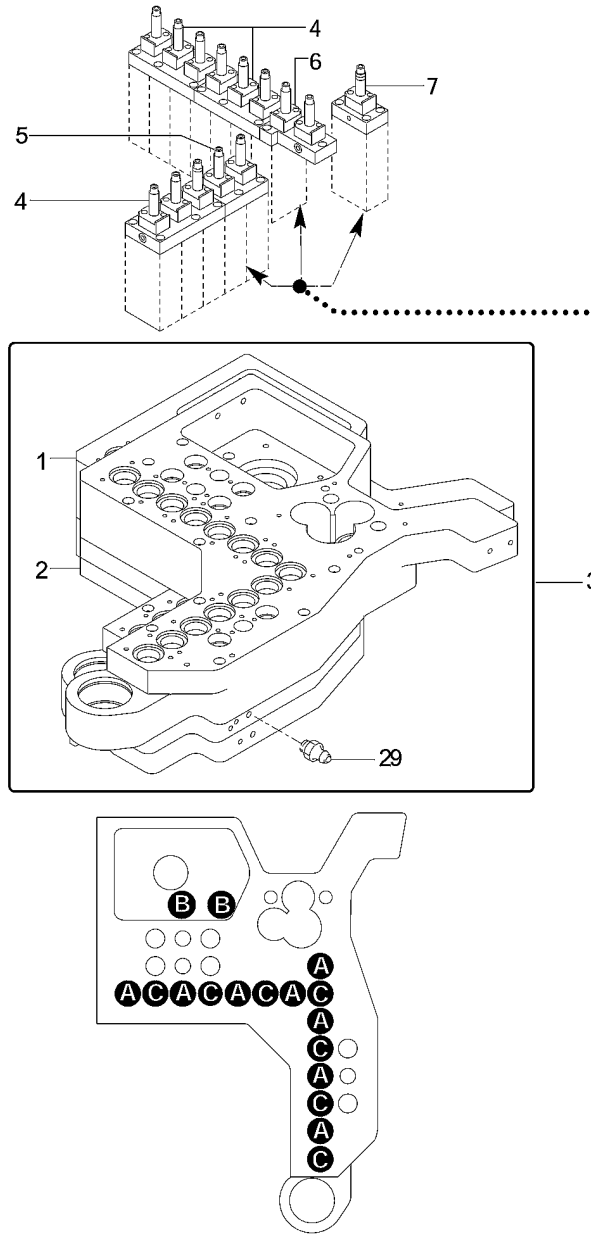
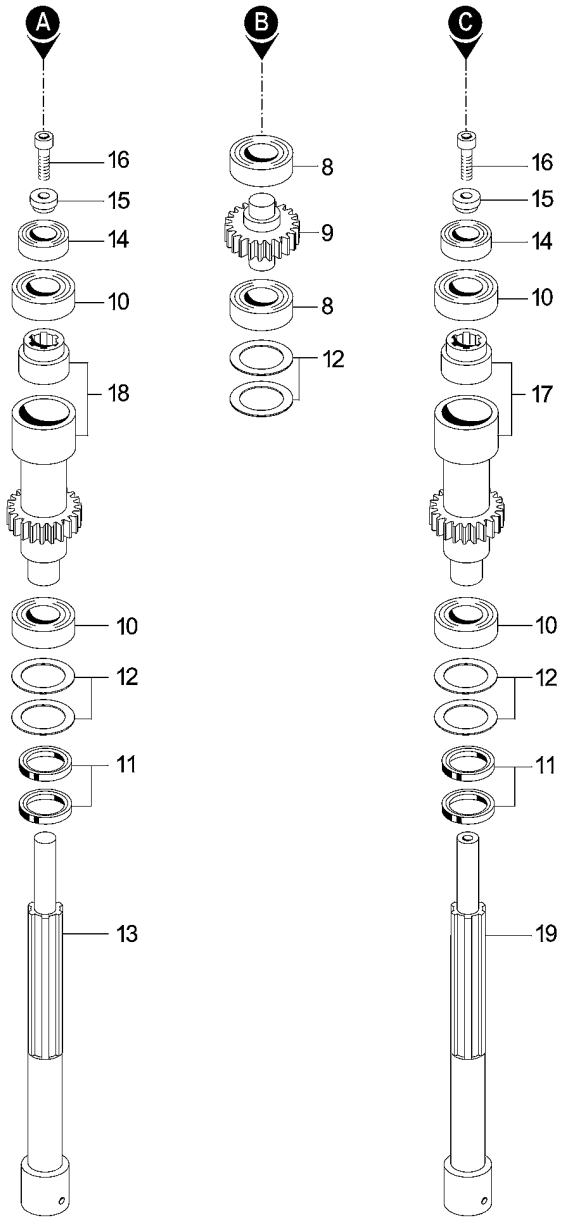


1	0911A0284 - 77+165+165
2	1214A0590
3	0806A0384
4	0808A0025
5	2420A0998 - 1260.25.150
6	291004400 - GLY PG 1012..
7	0915A0030
8	0920A0002
9	2420A1035 - 165+165+77
10	0905A1171
11	291402800 - 1651-323-20
12	312005900 - H=35 mm
13	0804A0029
14	2914A0608 - L=720
15	0914A0618
16	0914A0572
17	1705A0099
18	0905A0903
19	0806A0325
20	311026800 - OR 2250
21	311026600
22	2164A0320
23	2138A0254 - L=2.5 m
24	216405300

C0493A06 - SLIDING UNIT - 165+165+77 - 40190 - ROVER 22/24

POSITION	DRAWING/COMPONENT	DESCRIPTION
1	0911A0284	CARRIAGE - 77+165+165
2	1214A0590	PLATE
3	0806A0384	SPACER
4	0808A0025	COVER
5	2420A0998	CYLINDER - 1260.25.150
6	291004400	BUSHING - GLY PG 101210F
7	0915A0030	PISTON
8	0920A0002	PIN
9	2420A1035	CYLINDER - 165+165+77
10	0905A1171	SUPPORT
11	291402800	SLIDE BLOCK - 1651-323-20
12	312005900	SCRAPER - H=35 MM
13	0804A0029	BAR
14	2914A0608	GUIDE - L=720
15	0914A0618	PLATE
16	0914A0572	PLATE
17	1705A0099	SUPPORT
18	0905A0903	SUPPORT
19	0806A0325	SPACER
20	311026800	SEAL RING - OR 2250
21	311026600	SEAL RING
22	2164A0320	SENSOR
23	2138A0254	CONNECTOR - L=2.5 M
24	216405300	HOSE CLAMP

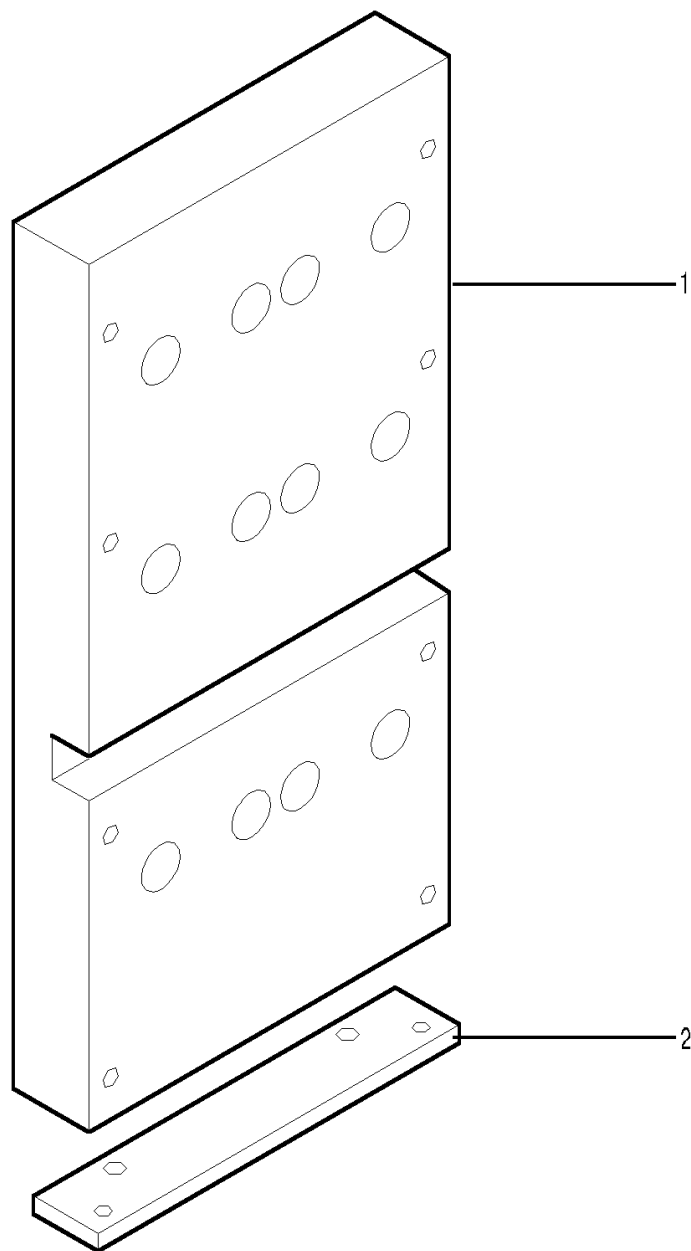


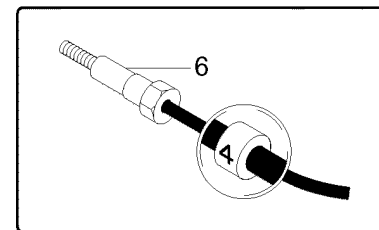
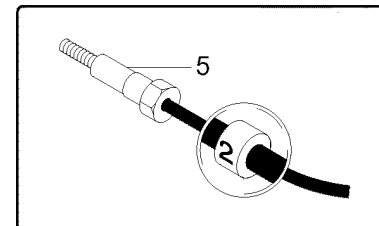
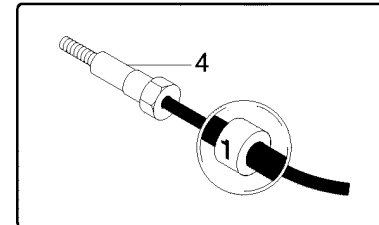
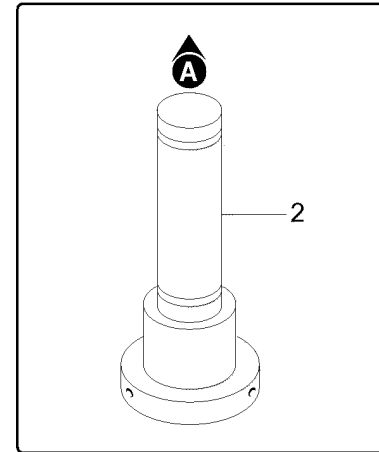
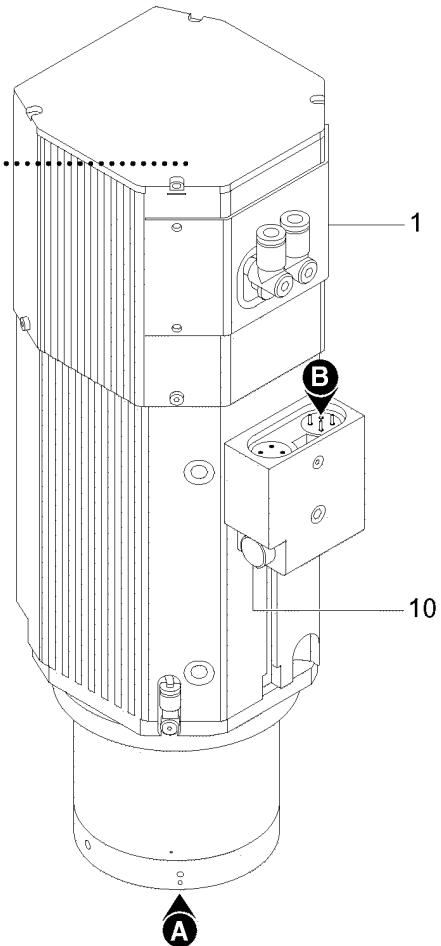
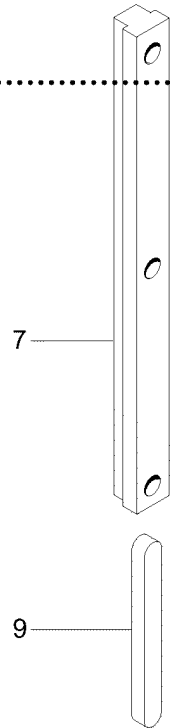
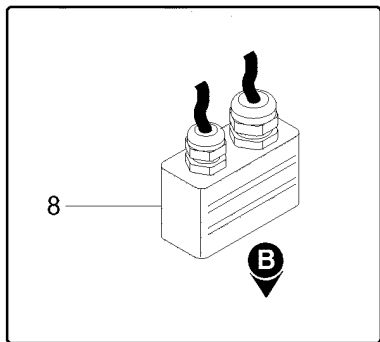
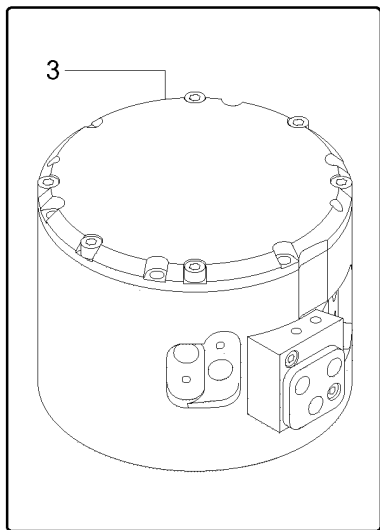


- 3 1612A0117
- 4 1713A0008
- 5 1713A0006
- 6 1713A0009
- 7 1713A0005
- 8 290102500 - 6002-2RS RI..
- 9 082124901
- 10 293000200 - Di=20 De=32 ..
- 11 311402200 - G16X22X3
- 12 280700400
- 13 080746900 - RH
- 14 290100100 - 608-2RS RIV..
- 15 080453400
- 16 300217000 - M5X16 *R12.9
- 17 1621A0008 - DX
- 18 1621A0007 - SX
- 19 080747100 - LH
- 20 300219000 - M5X130
- 21 0817A0033
- 23 1116A0003 - L=112mm
- 24 1416A0002 - L=115mm
- 25 080656600
- 26 280104901 - DI=19,7 DE=2..
- 27 1615A0002
- 28 1415A0004
- 29 260500700
- 30 292100200 - HSK F63
- 34 6480A0067
- 35 2120A0049 - 8W
- 38 1415A0003
- 39 1419A0015

C0502A04 - BORING UNIT - BH20 - 40190 - ROVER 22/24

POSITION	DRAWING/COMPONENT	DESCRIPTION
3	1612A0117	BORING HEAD ASSEMBLY
4	1713A0008	DISTRIBUTOR
5	1713A0006	DISTRIBUTOR
6	1713A0009	DISTRIBUTOR
7	1713A0005	DISTRIBUTOR
8	290102500	BEARING - 6002-2RS RIV-SKF
9	082124901	GEAR
10	293000200	BEARING - DI=20 DE=32 L=7
11	311402200	RING - G16X22X3
12	280700400	RING
13	080746900	SPINDLE - RH
14	290100100	BEARING - 608-2RS RIV-SKF
15	080453400	WASHER
16	300217000	SCREW - M5X16 *R12.9
17	1621A0008	GEAR WHEEL - DX
18	1621A0007	GEAR WHEEL - SX
19	080747100	SPINDLE - LH
20	300219000	SCREW - M5X130
21	0817A0033	BUSH
23	1116A0003	CYLINDER LINER - L=112MM
24	1416A0002	CYLINDER LINER - L=115MM
25	080656600	RING
26	280104901	SPRING - DI=19,7 DE=23,1 L=85MM
27	1615A0002	PISTON
28	1415A0004	PISTON
29	260500700	GREASING NIPPLE
30	292100200	BALL - HSK F63
34	6480A0067	CONNECTOR
35	2120A0049	ELECTROMAGNETIC COIL - 8W
38	1415A0003	PISTON
39	1419A0015	GASKET

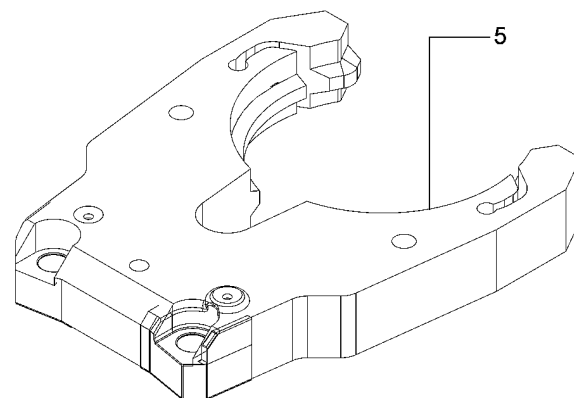




C0516A03 - ELECTROSPINDLE - 40190 - ROVER 22/24

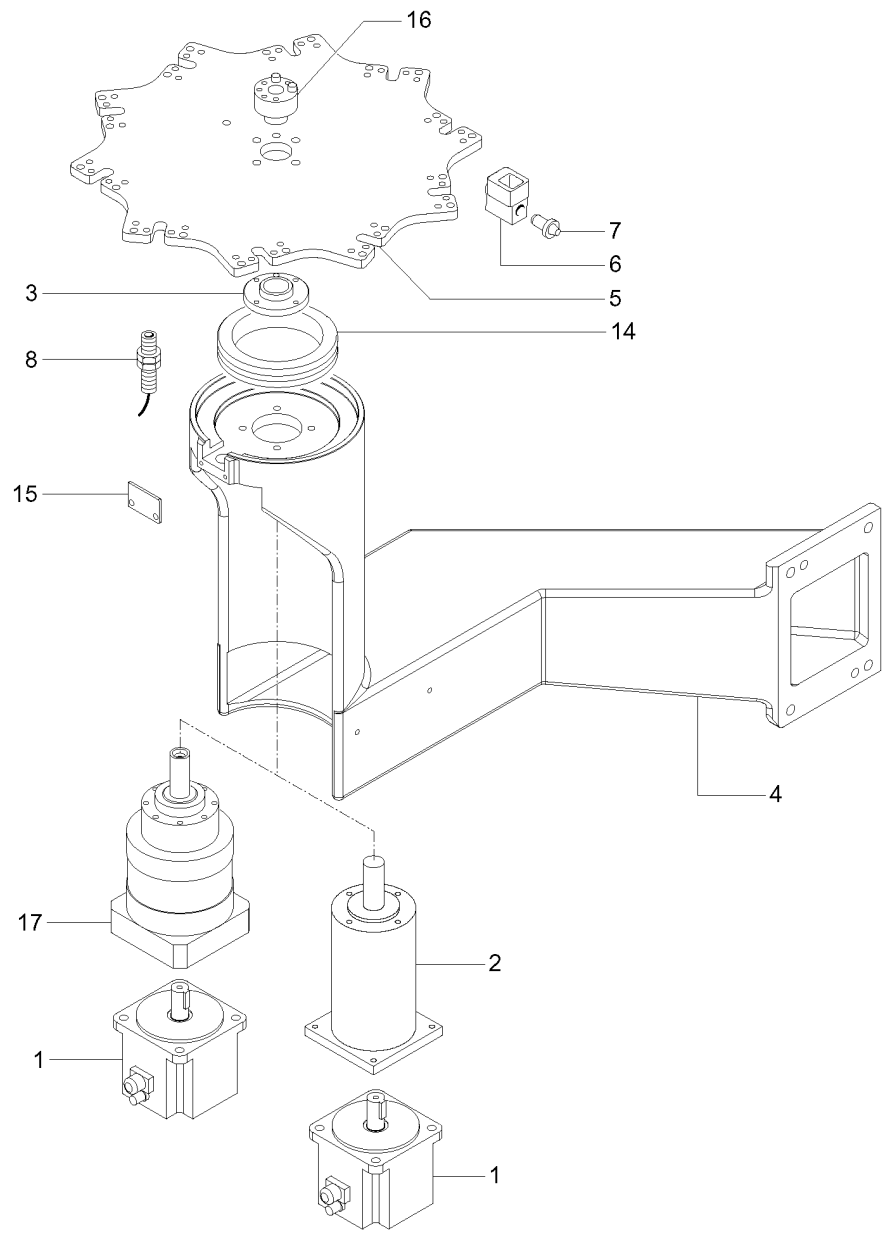
POSITION	DRAWING/COMPONENT	DESCRIPTION
8	M0131A00	CONNECTOR

5 1705A0124 - ISO 30



C0518A01 - TOOL HOLDER COLLET - 40190 - ROVER 22/24

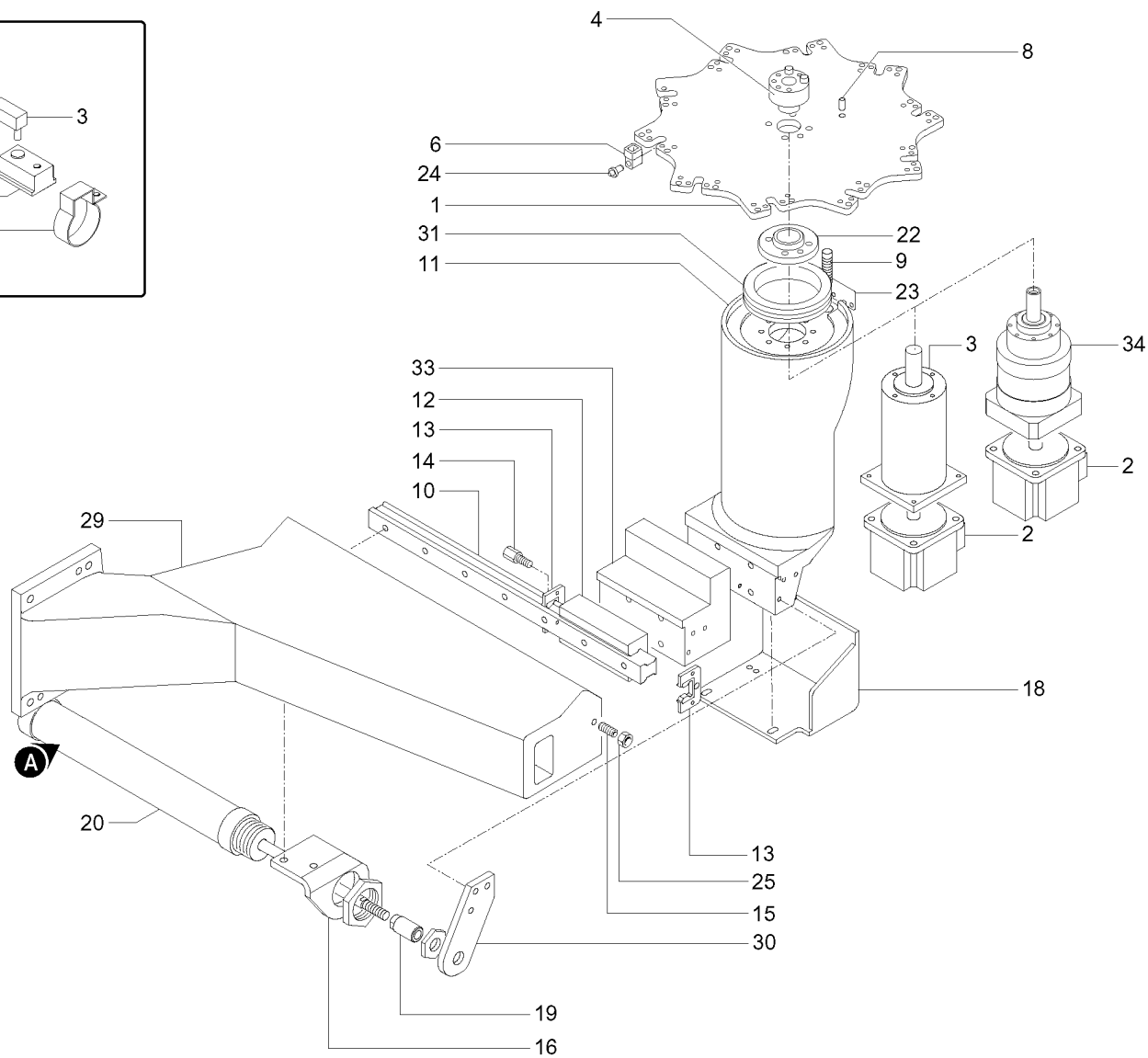
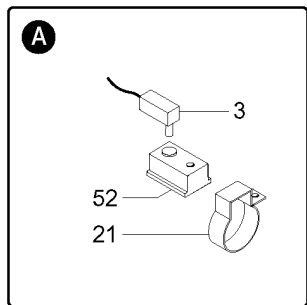
POSITION	DRAWING/COMPONENT	DESCRIPTION
5	1705A0124	TOOL HOLDER - ISO 30



- 1 2201A0381 - SGMPH-02D..
- 2 2001A0444 - 10P
- 3 0801A0348
- 4 0905A0831 - 10P
- 5 0805A0276 - 10P
- 6 1414A0170 - HSK F63
- 7 0820A0142
- 8 216403800 - 3RG40 12-O..
- 14 2911A0068
- 15 0908A0233
- 16 270706500

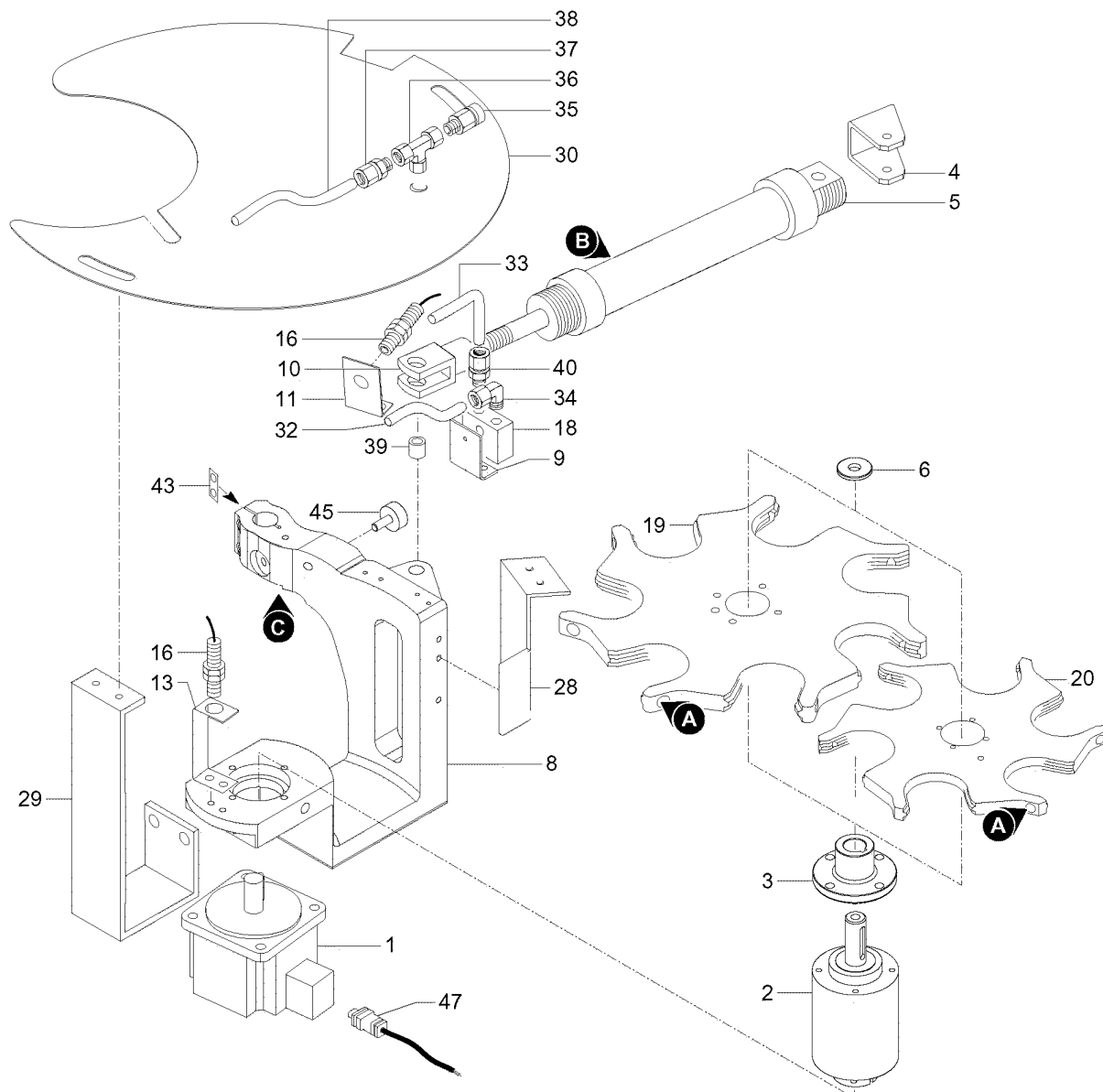
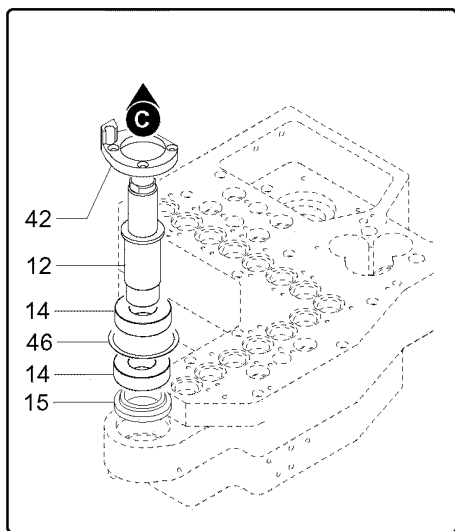
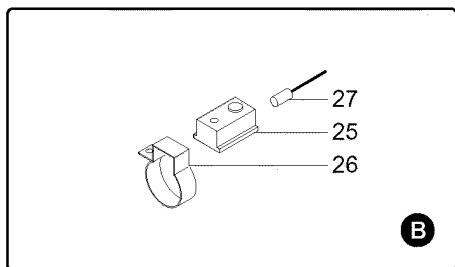
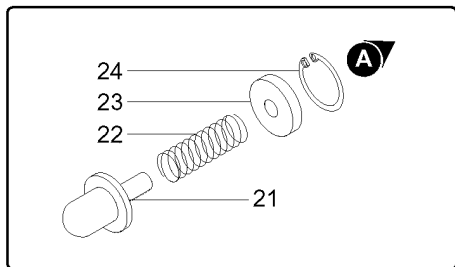
C0524A03 - TOOL MAGAZINE - 40190 - ROVER 22/24

POSITION	DRAWING/COMPONENT	DESCRIPTION
1	2201A0381	MOTOR - SGMPH-02DAA YG11
2	2001A0444	REDUCTION UNIT - 10P
3	0801A0348	FLANGE
4	0905A0831	SUPPORT - 10P
5	0805A0276	TOOL HOLDER - 10P
6	1414A0170	SUPPORT - HSK F63
7	0820A0142	DOWEL
8	216403800	SENSOR - 3RG40 12-OAG 01 SIEMENS
14	2911A0068	BEARING
15	0908A0233	COVER
16	270706500	KEYING DEVICE



C0525A04 - TOOL MAGAZINE - 40190 - ROVER 22/24

POSITION	DRAWING/COMPONENT	DESCRIPTION
32	2138A0254	CONNECTOR - L=2.5 M



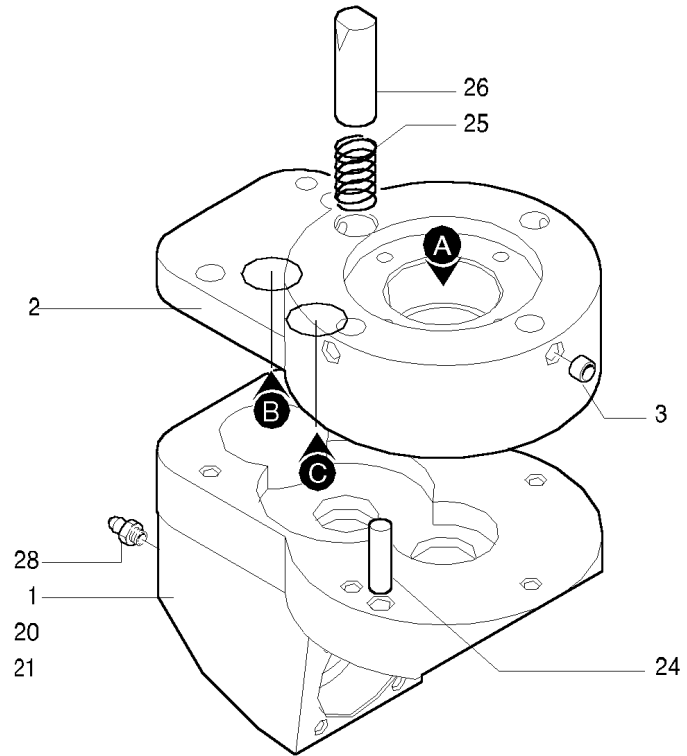
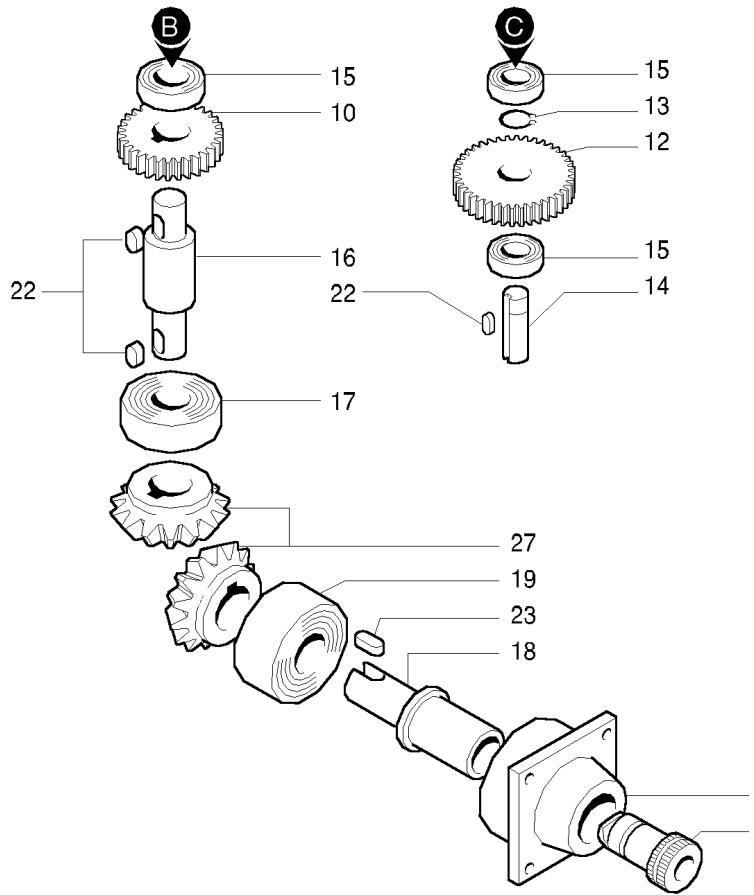
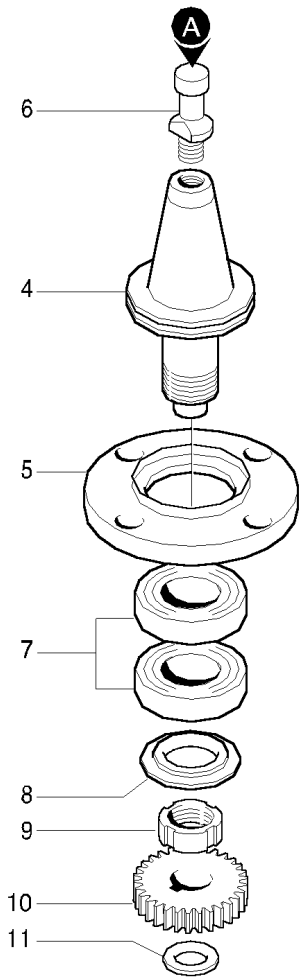
1	2201A0381 - SGMPH-02D..
2	2001A0516
3	0801A0424
4	201203600
5	2420A0183
6	0804A0282
8	0905A1424
9	1205A0853
10	2012A0002
11	1205A0852
12	0807A0424
13	1205A0654
14	2904A0288
16	216403800 - 3RG40 12-O..
18	091302800 - ISO 30
19	0905A0757 - ISO 30
21	082041000
22	2801A0016 - De=9,5 Di=7,5
23	1117A0002 - H=2,5
24	302913000 - l 10
25	2164A0320
26	216410000
27	2138A0254 - L=2.5 m
32	2408A0012 - 10P
33	2408A0013 - 10P
34	245056200 - D=6 F=1/8
39	291004400 - GLY PG 1012..
40	245050200 - D=6 F=1/8
42	0801A0425
43	0814A1007
45	201800600 - 20x8,5
46	0806A0487

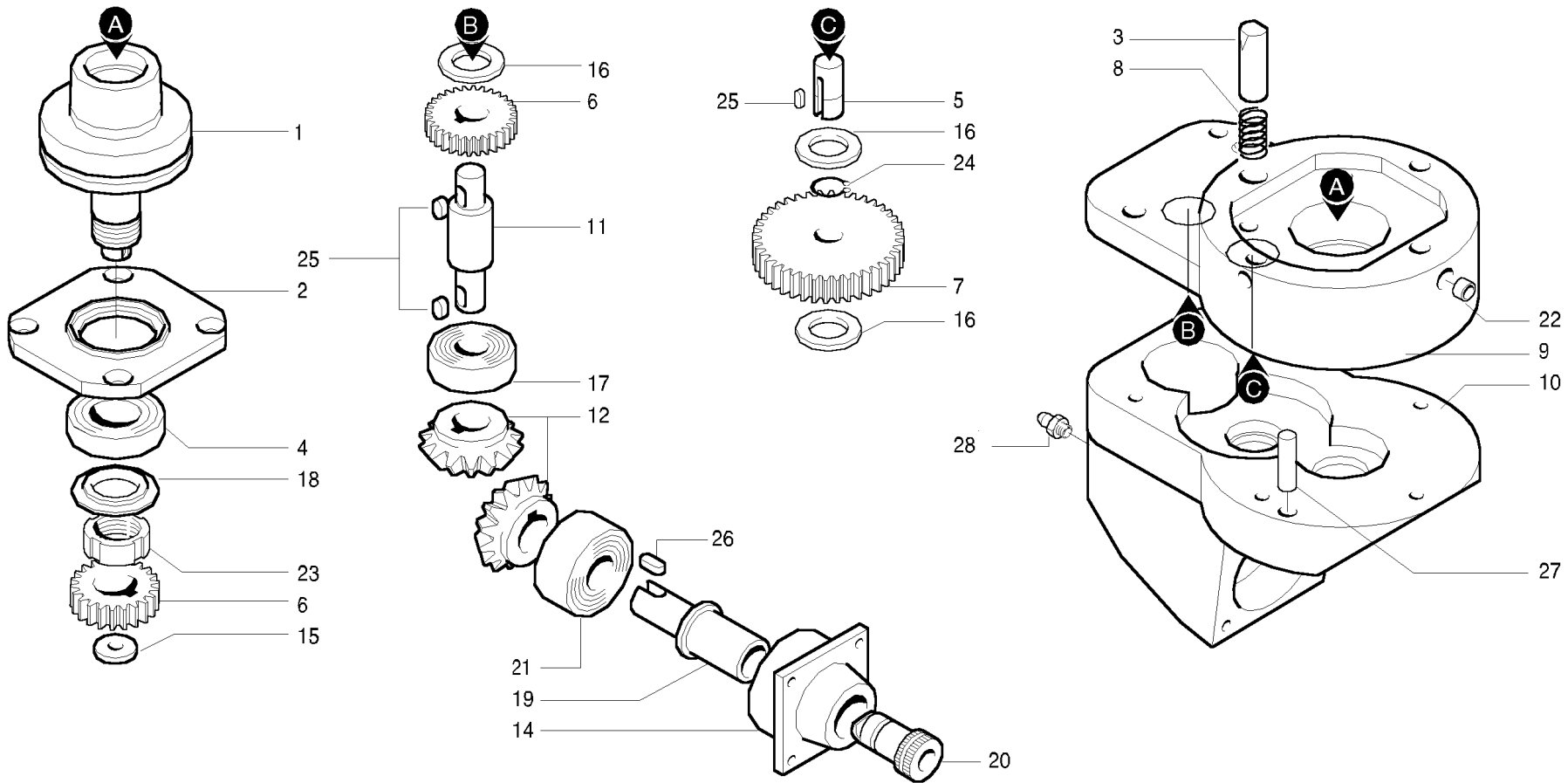
C0526A03 - TOOL MAGAZINE - 40190 - ROVER 22/24

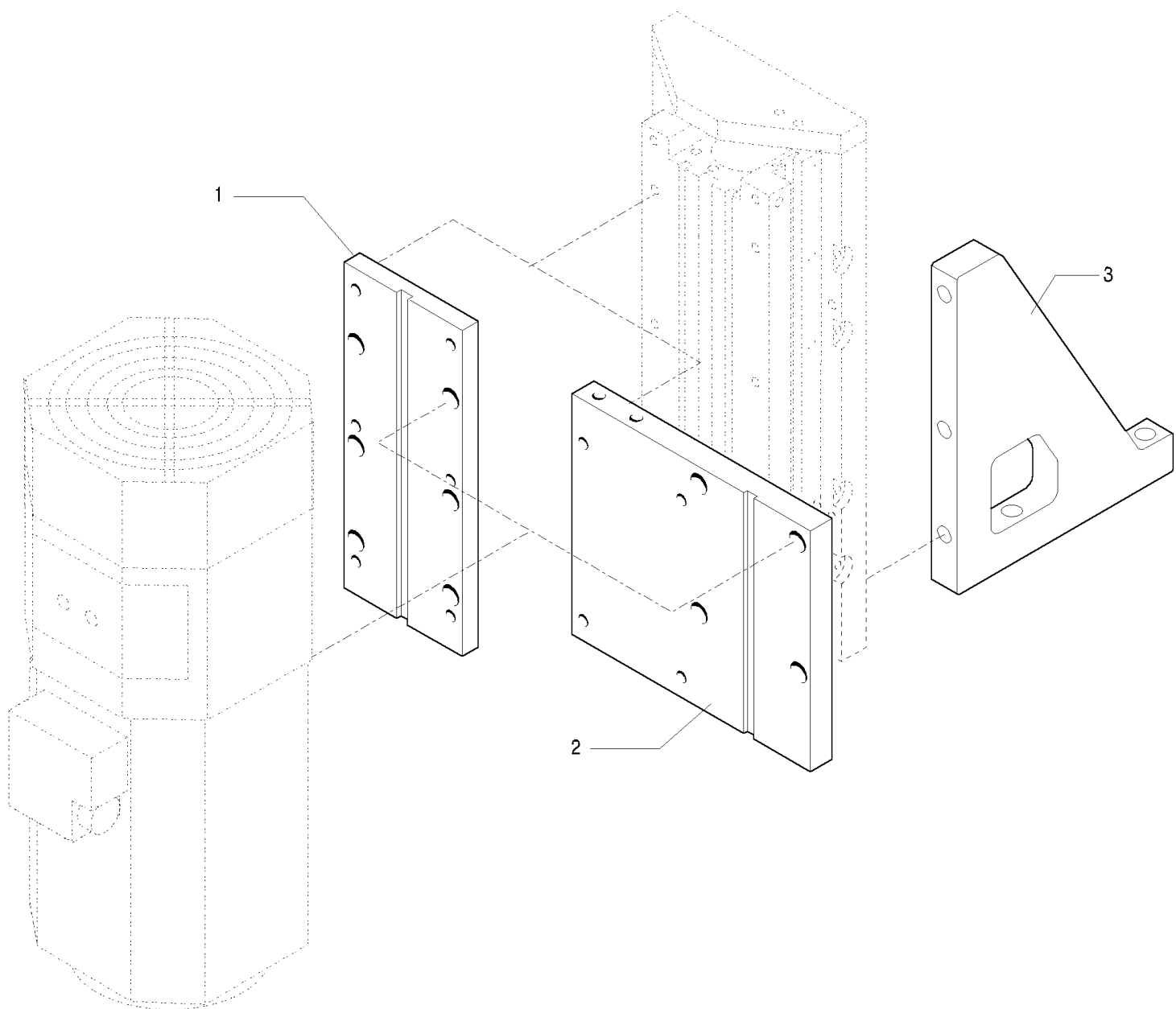
POSITION	DRAWING/COMPONENT	DESCRIPTION
1	2201A0381	MOTOR - SGMPH-02DAA YG11
2	2001A0516	REDUCTION UNIT
3	0801A0424	FLANGE
4	201203600	HINGE
5	2420A0183	CYLINDER
6	0804A0282	SPACER
8	0905A1424	SUPPORT
9	1205A0853	SUPPORT
10	2012A0002	SUPPORT
11	1205A0852	SUPPORT
12	0807A0424	SHAFT
13	1205A0654	SUPPORT
14	2904A0288	BEARING
16	216403800	SENSOR - 3RG40 12-OAG 01 SIEMENS
18	091302800	BLOCK - ISO 30
19	0905A0757	TOOL HOLDER - ISO 30
21	082041000	PIN
22	2801A0016	SPRING - DE=9,5 DI=7,5
23	1117A0002	BUSHING - H=2,5
24	302913000	SNAP RING - I 10
25	2164A0320	SENSOR
26	216410000	HOSE CLAMP
27	2138A0254	CONNECTOR - L=2.5 M
32	2408A0012	PIPE - 10P
33	2408A0013	PIPE - 10P
34	245056200	CONNECTOR - D=6 F=1/8
39	291004400	BUSHING - GLY PG 101210F
40	245050200	CONNECTOR - D=6 F=1/8
42	0801A0425	FLANGE
43	0814A1007	SHIM
45	201800600	BUMPER - 20X8,5

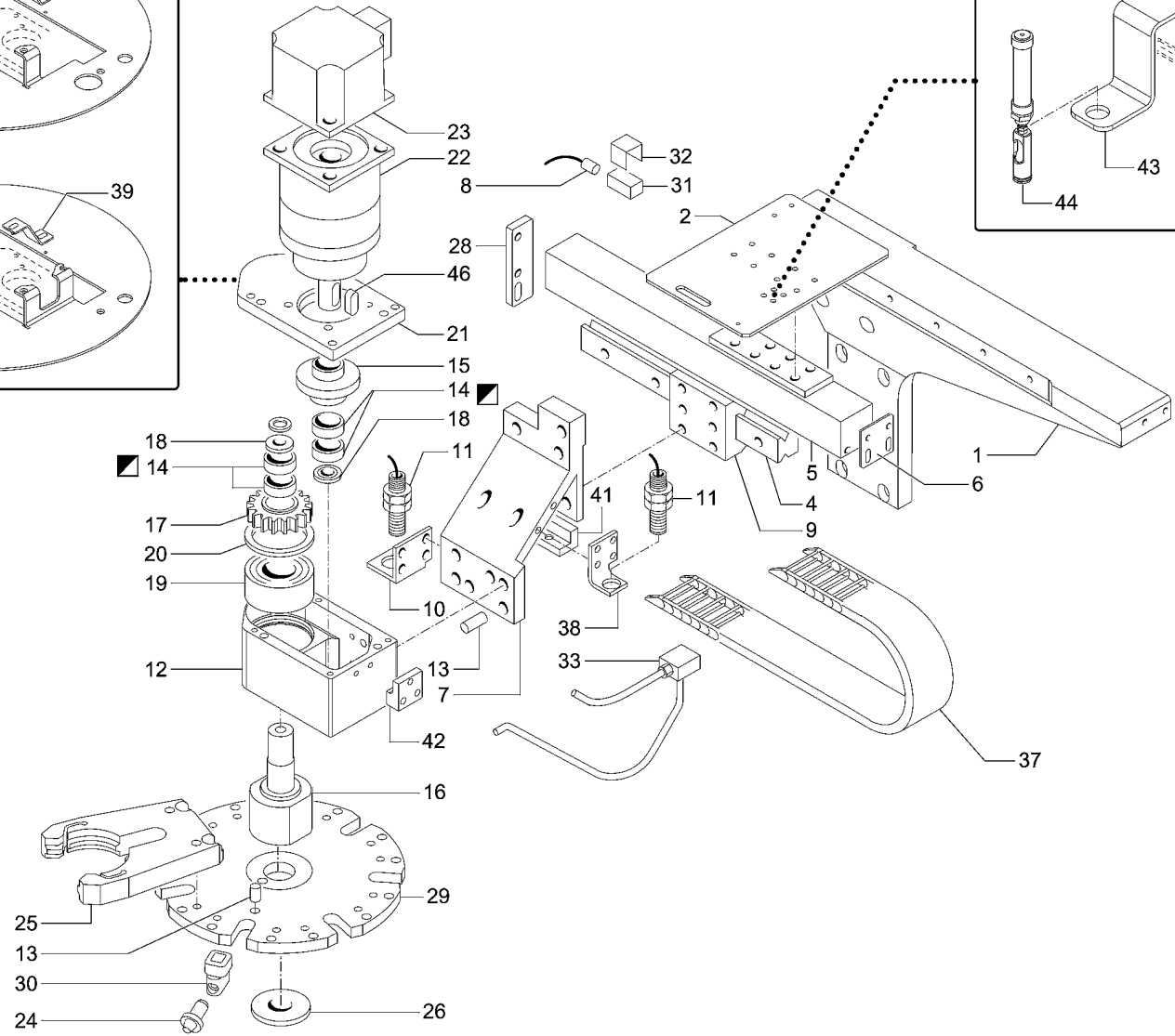
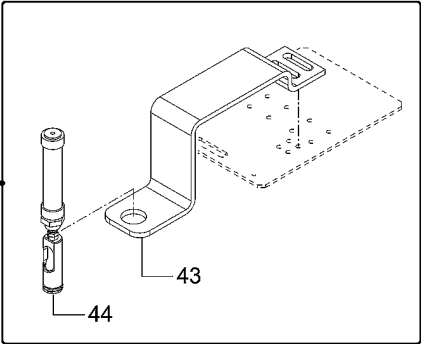
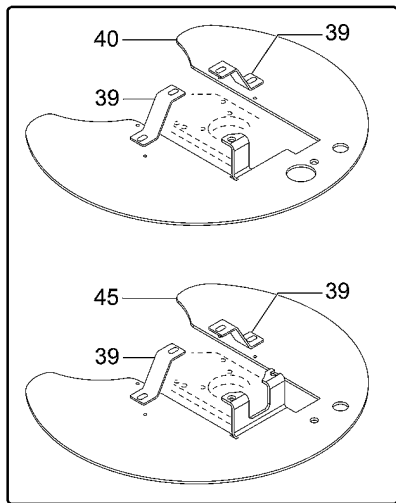
C0526A03 - TOOL MAGAZINE - 40190 - ROVER 22/24

POSITION	DRAWING/COMPONENT	DESCRIPTION
46	0806A0487	SPACER





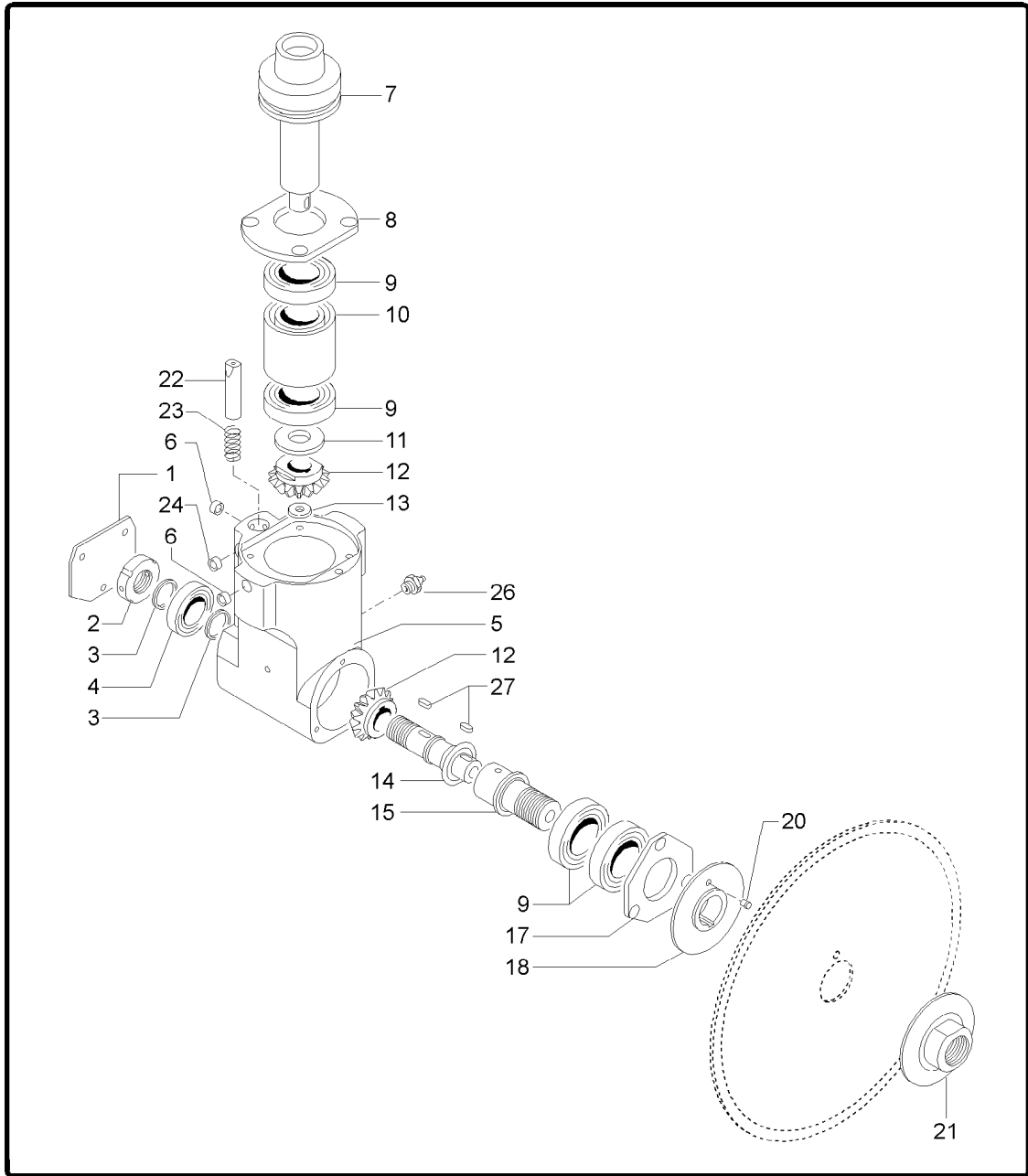




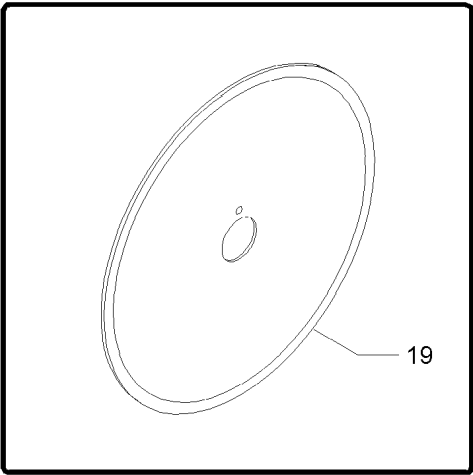
33 L0114A00
 37 M0141A00 - *POS_PRES_P
 44 C0666A00

C0532A06 - TOOL MAGAZINE - 40190 - ROVER 22/24

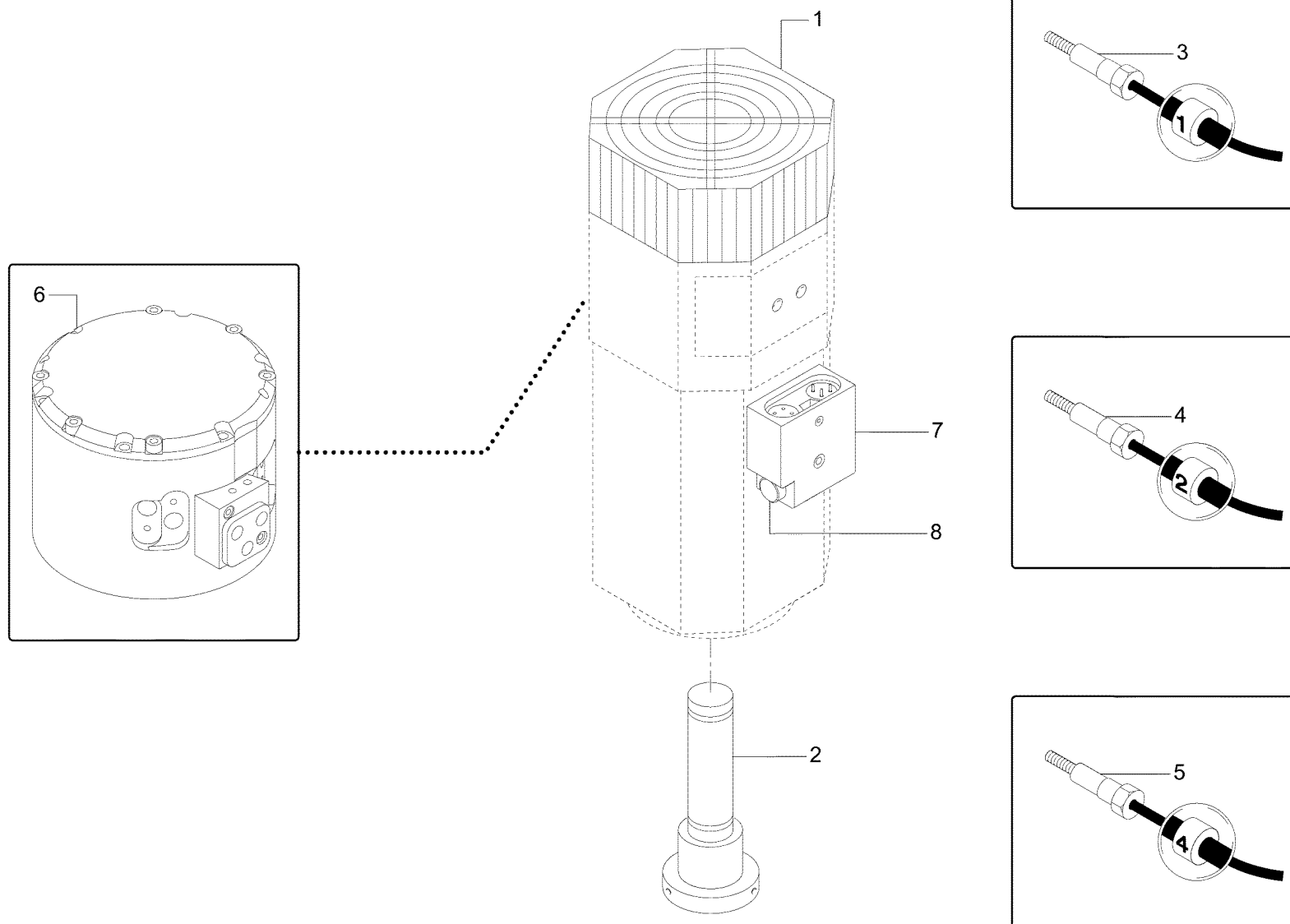
POSITION	DRAWING/COMPONENT	DESCRIPTION
33	L0114A00	BLOWER
37	M0141A00	CABLE-HOLDER CHAIN - *POS_PRES_P
44	C0666A00	BALLUFF DEVICE



25

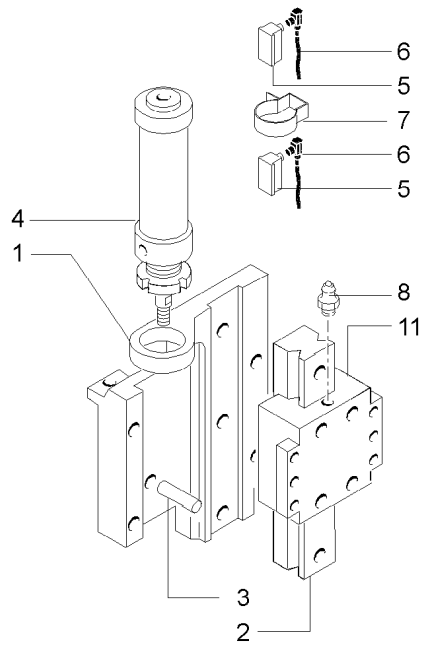


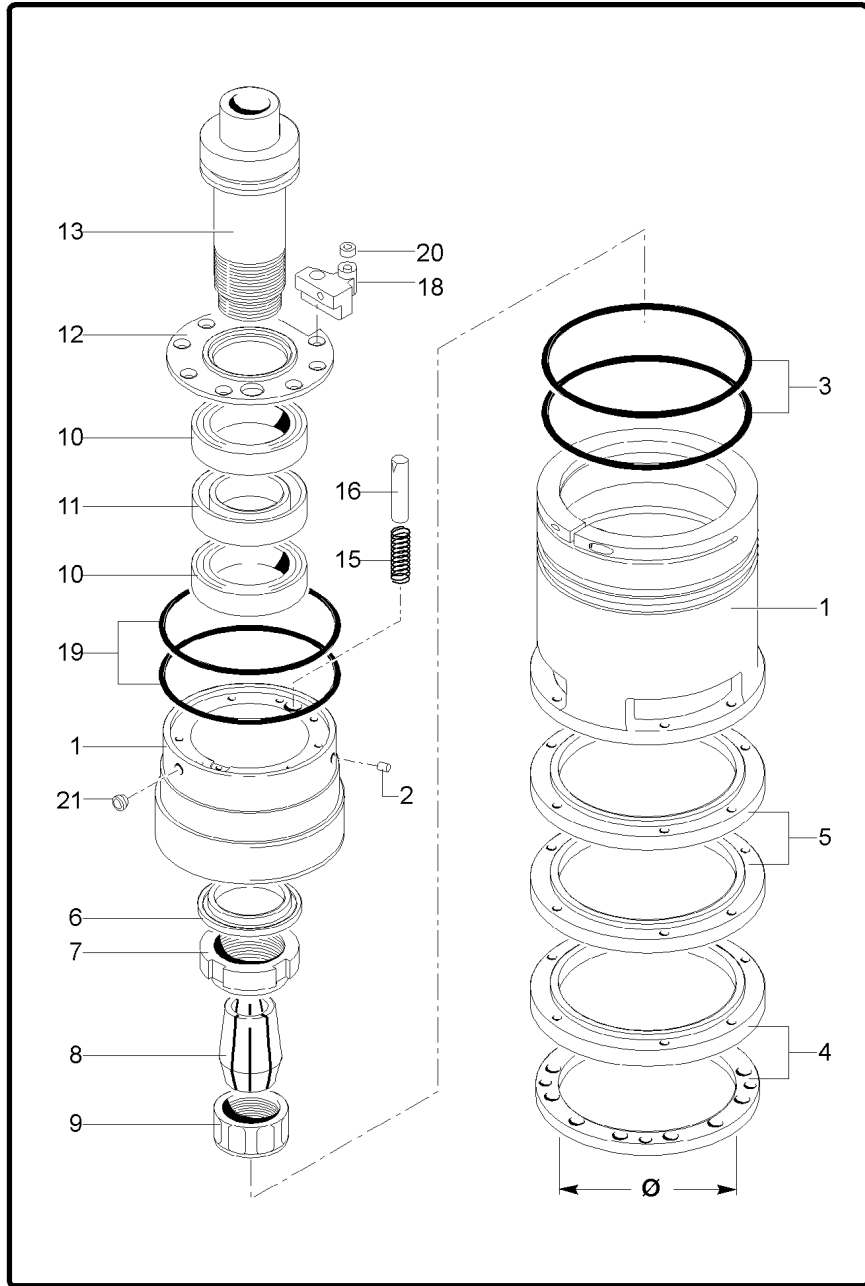
- 1 750123238 - 9-10,5 HP
- 2 6423A0010 - ES919 I4PNL ..
- 3 750123234 - 9-10.5 HP
- 4 750123235 - 9-10.5 HP
- 6 6430A0052 - D=100 ES919

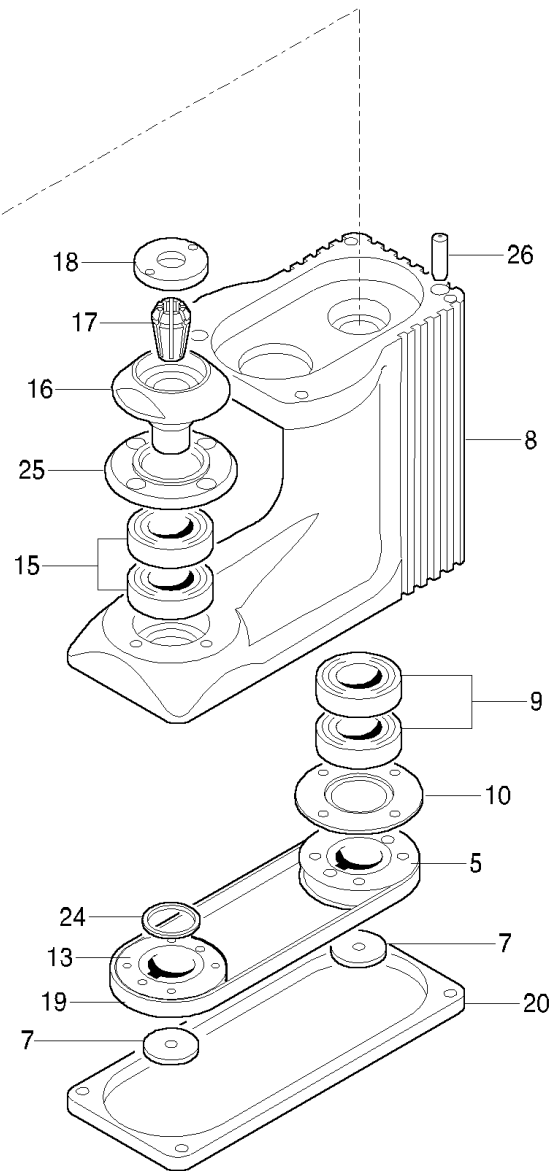
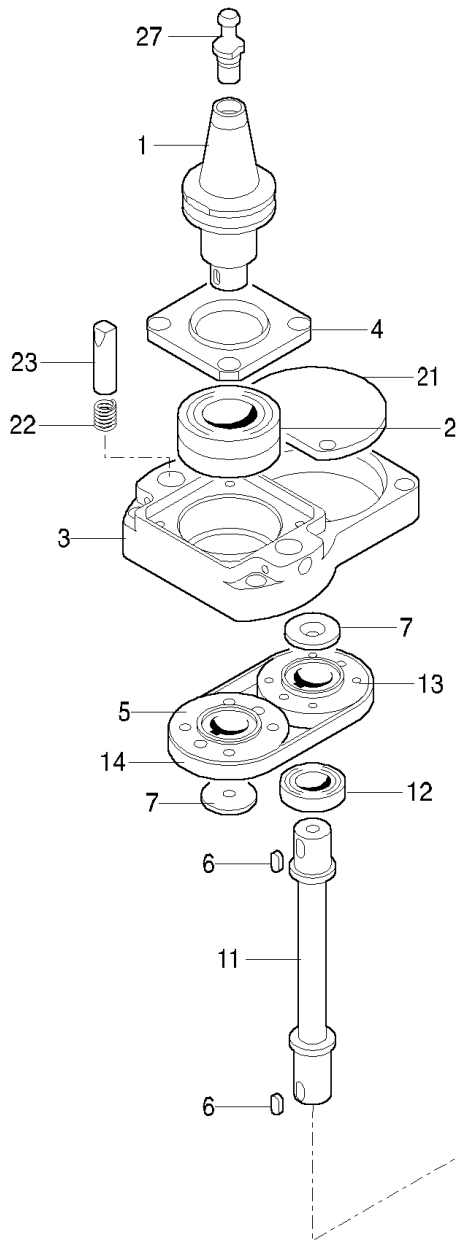


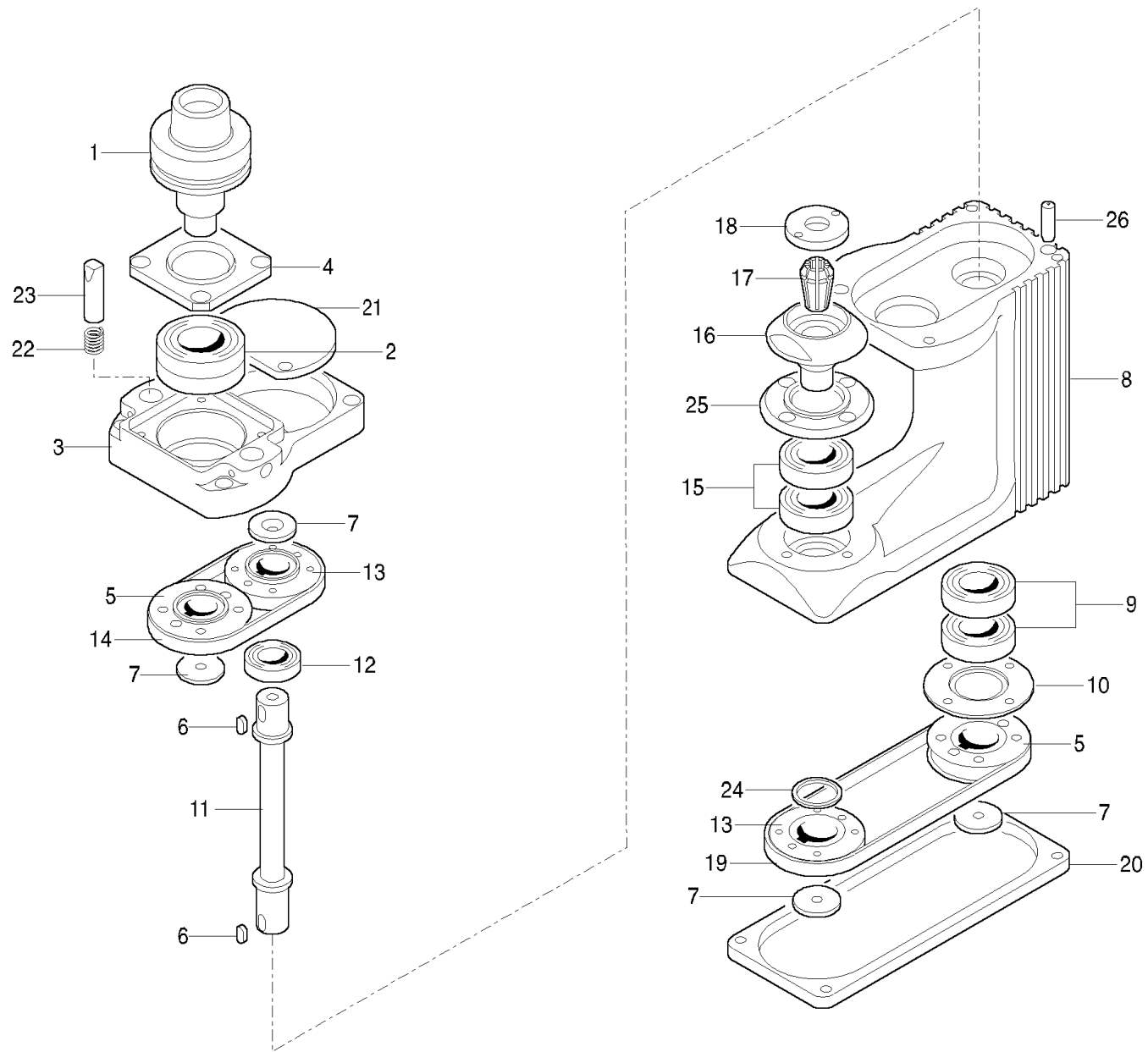
C0554A02 - ELECTROSPINDLE - 40190 - ROVER 22/24

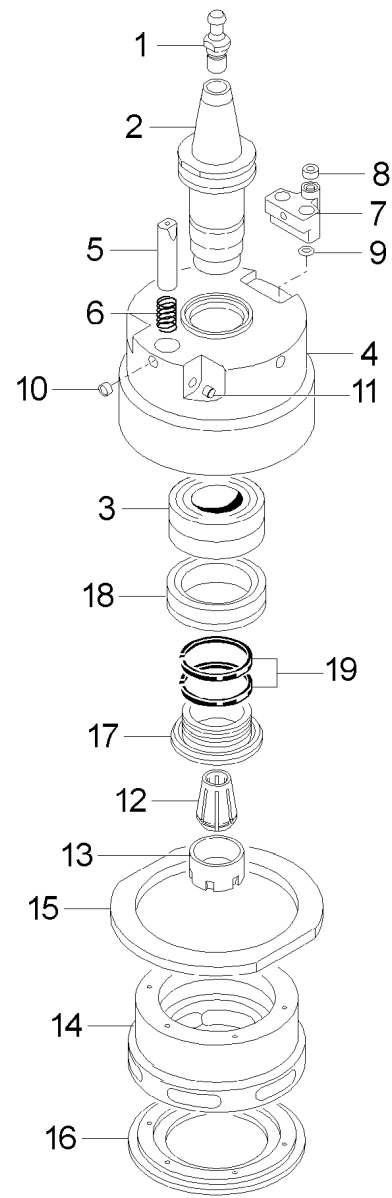
POSITION	DRAWING/COMPONENT	DESCRIPTION
1	750123238	FAN - 9-10,5 HP
2	6423A0010	SHAFT - ES919 I4PNL ISO 30
3	750123234	SENSOR - 9-10.5 HP
4	750123235	SENSOR - 9-10.5 HP
6	6430A0052	CYLINDER - D=100 ES919

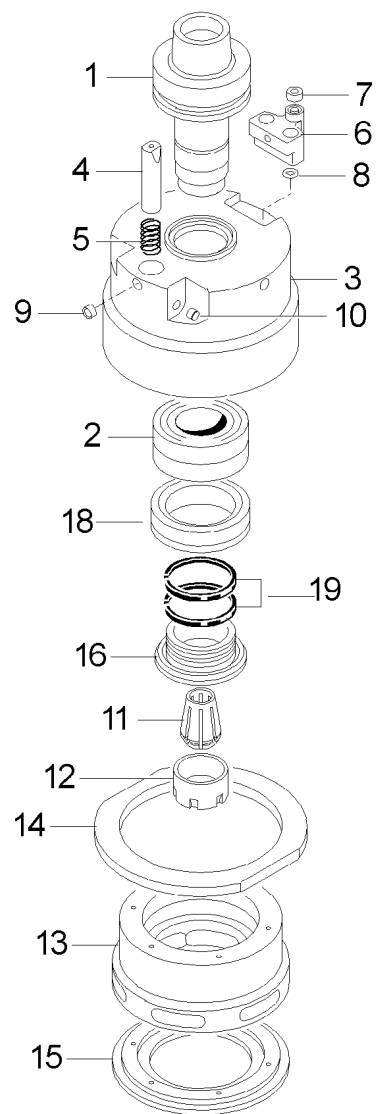


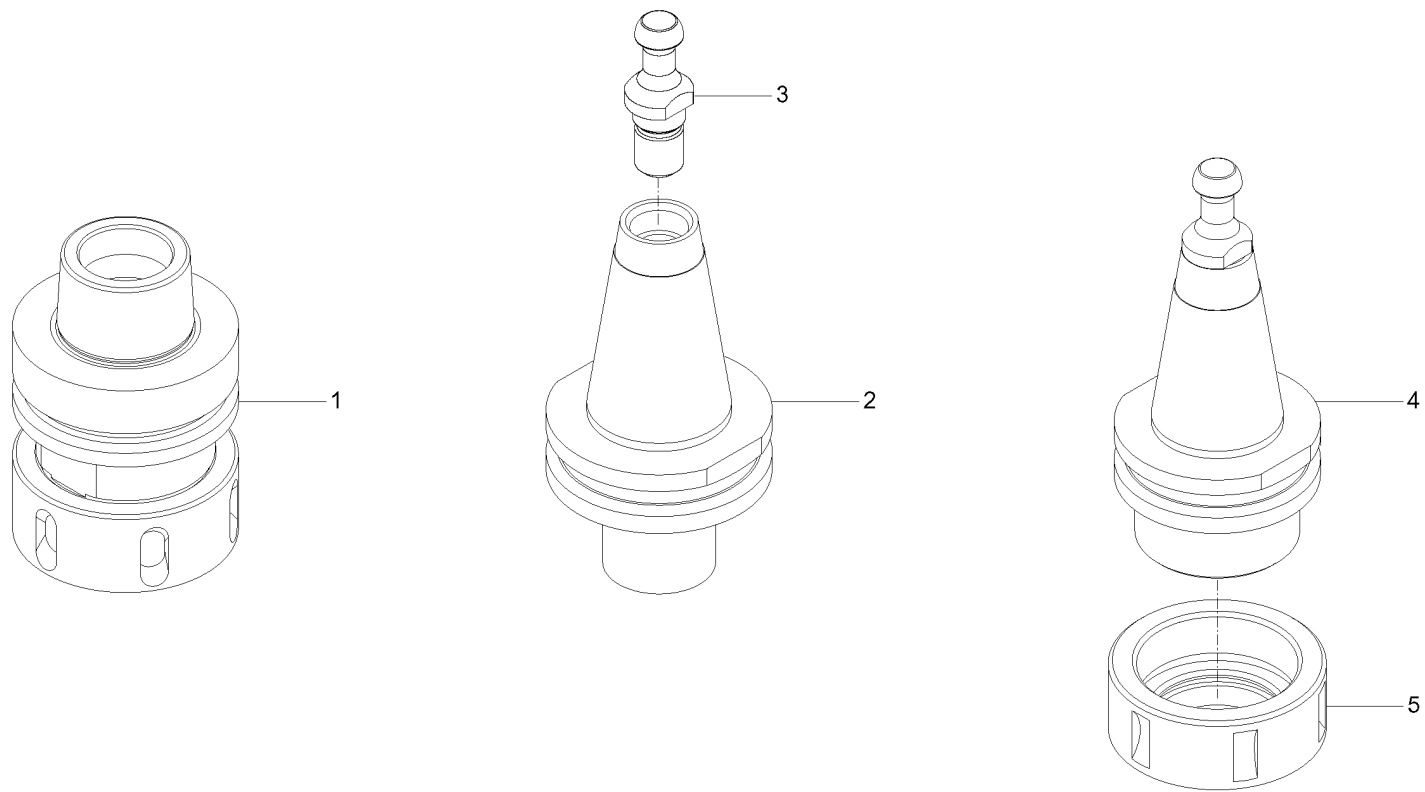








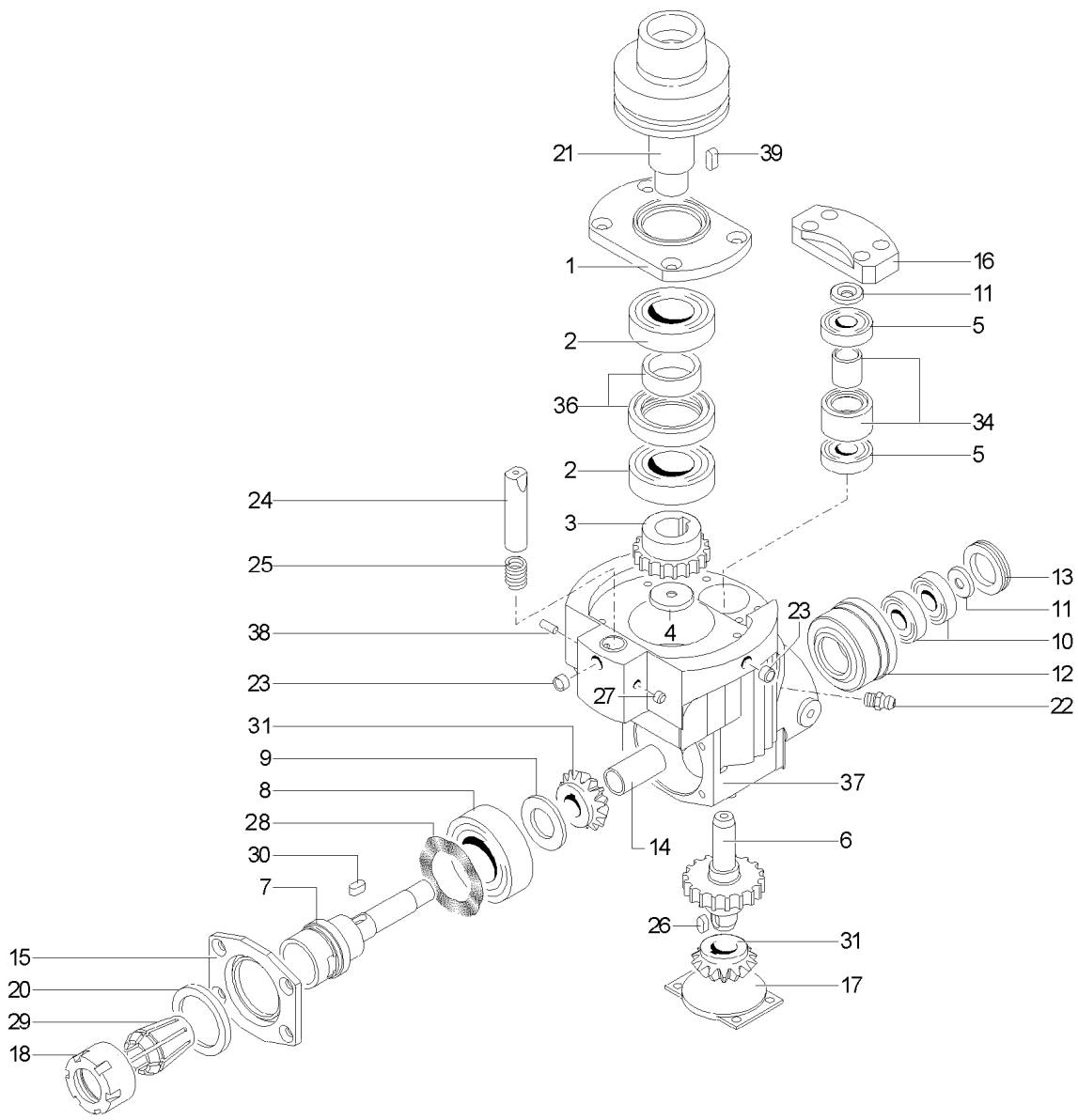


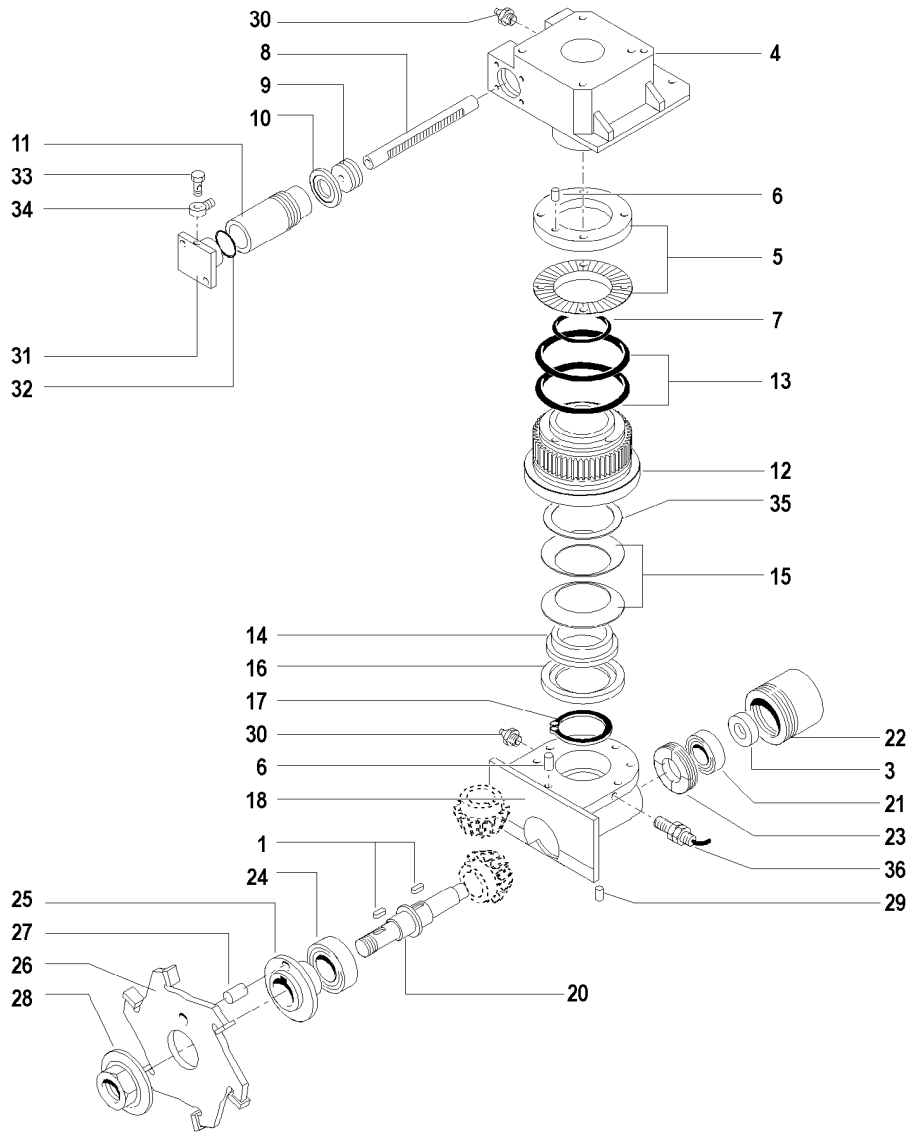


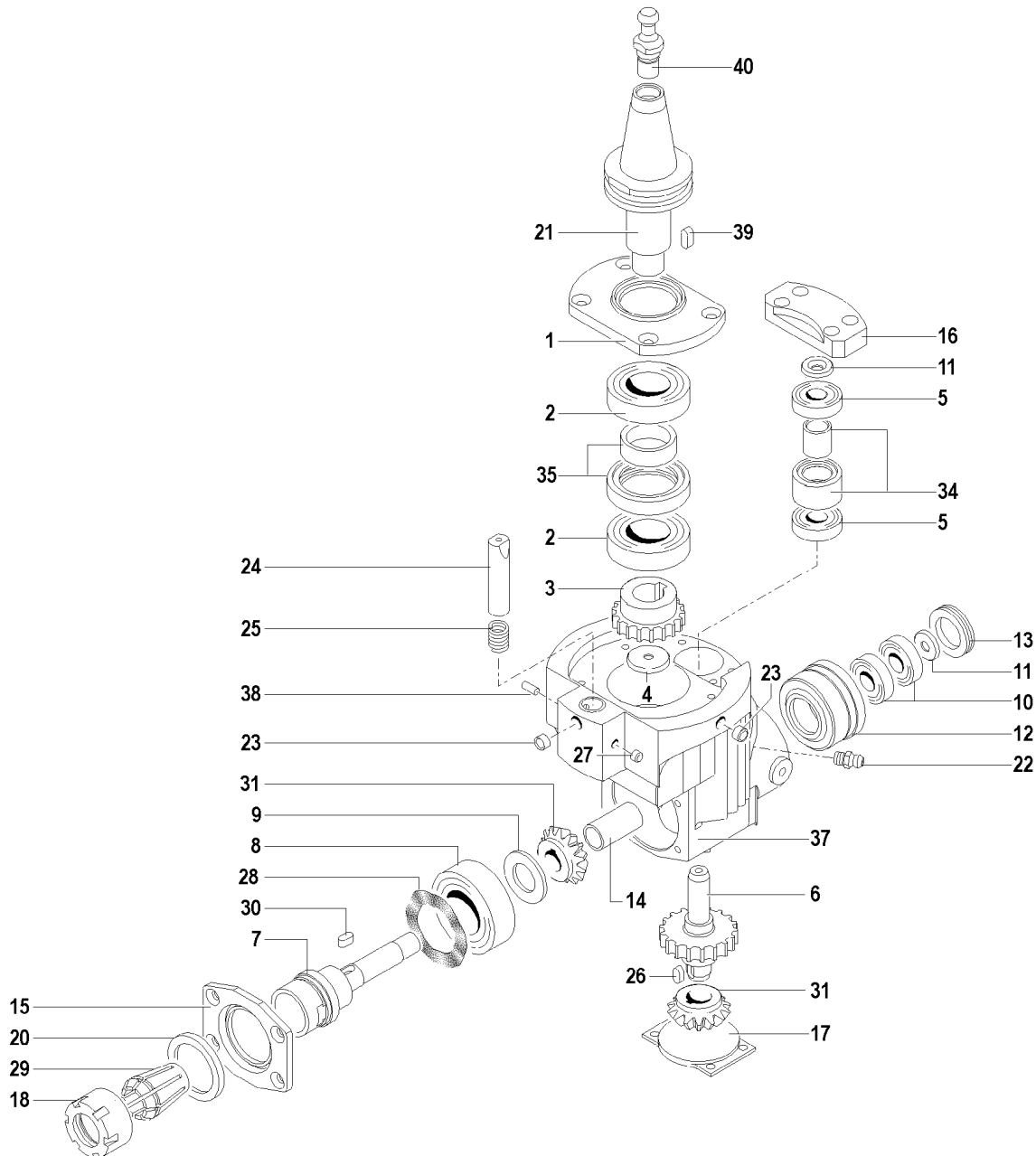
- 4 1707A0002 - ISO 30 LH
- 4 1707A0005 - ISO 30 RH
- 5 340705802 - M40x1.5-RH
- 5 340705902 - M40X1.5-ERC..

C0597A02 - COLLET SPINDLE - 40190 - ROVER 22/24

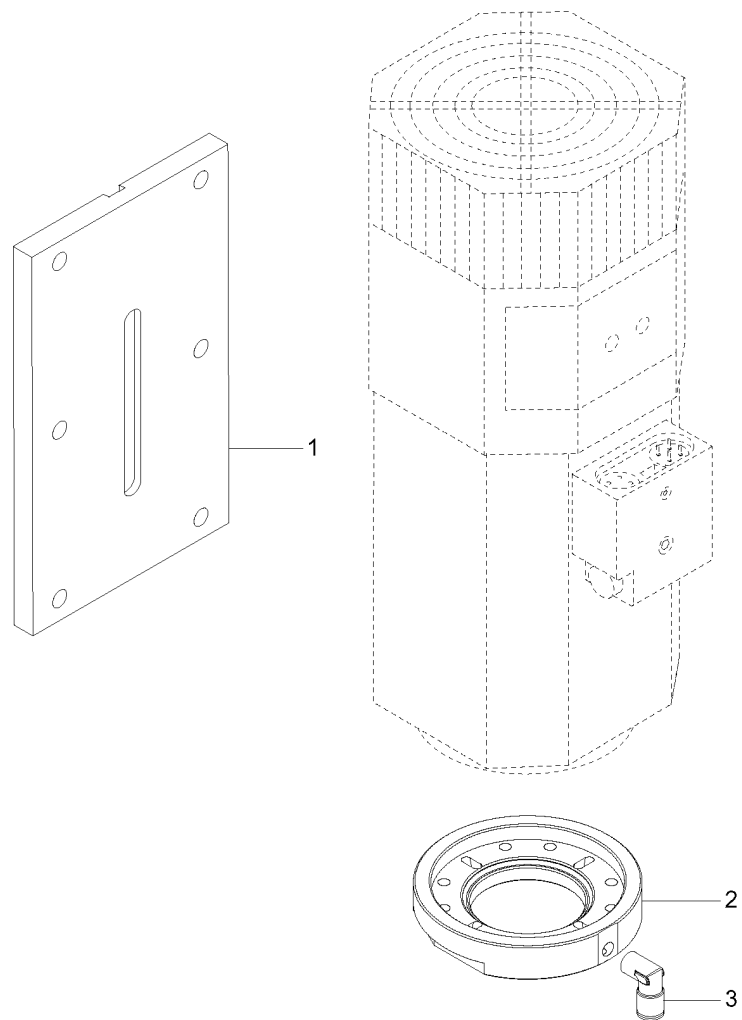
POSITION	DRAWING/COMPONENT	DESCRIPTION
4	1707A0002	SPINDLE - ISO 30 LH
4	1707A0005	SPINDLE - ISO 30 RH
5	340705802	RING NUT - M40X1.5-RH
5	340705902	RING NUT - M40X1.5-ERC 32-LH





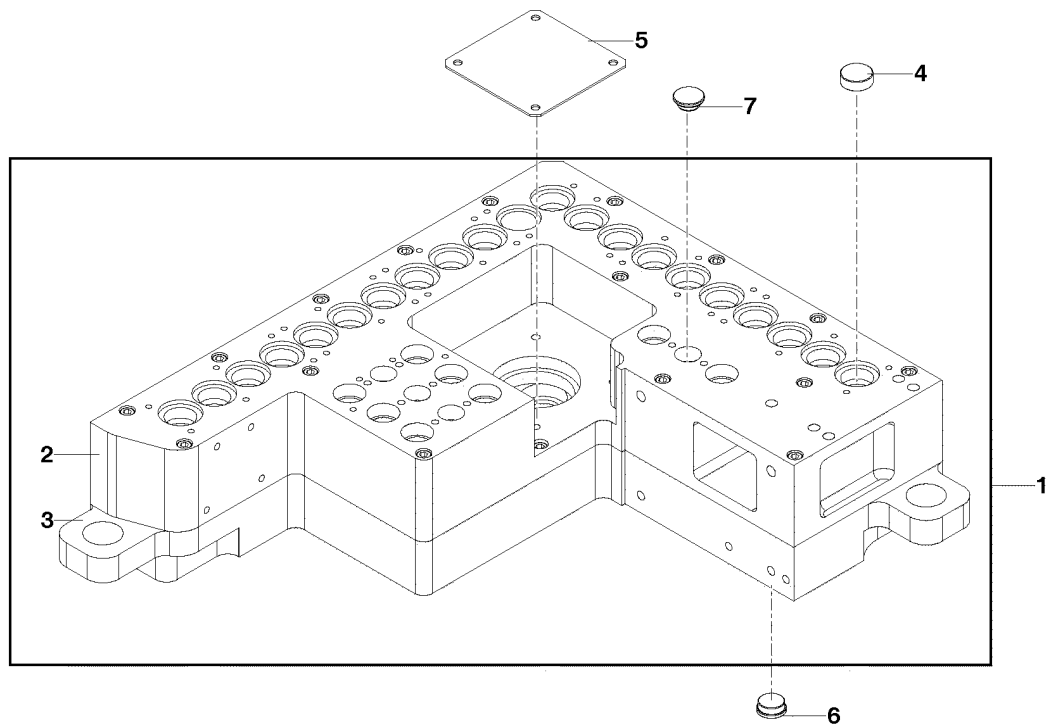


1 0814A0694
2 0801A0415

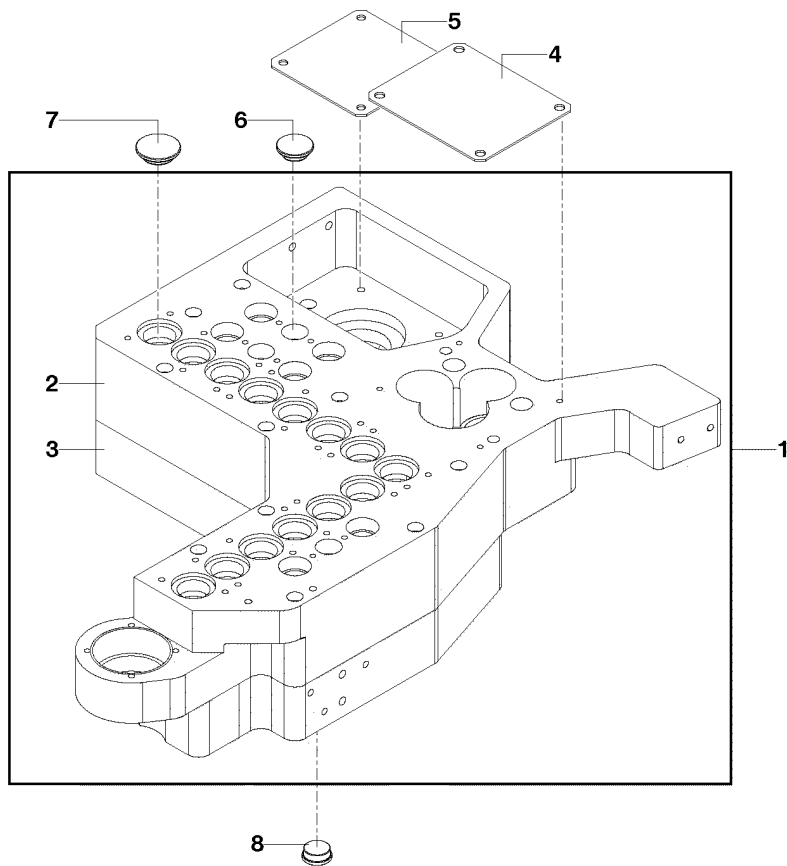


C0603A02 - FLANGE - 40190 - ROVER 22/24

POSITION	DRAWING/COMPONENT	DESCRIPTION
1	0814A0694	PLATE
2	0801A0415	FLANGE

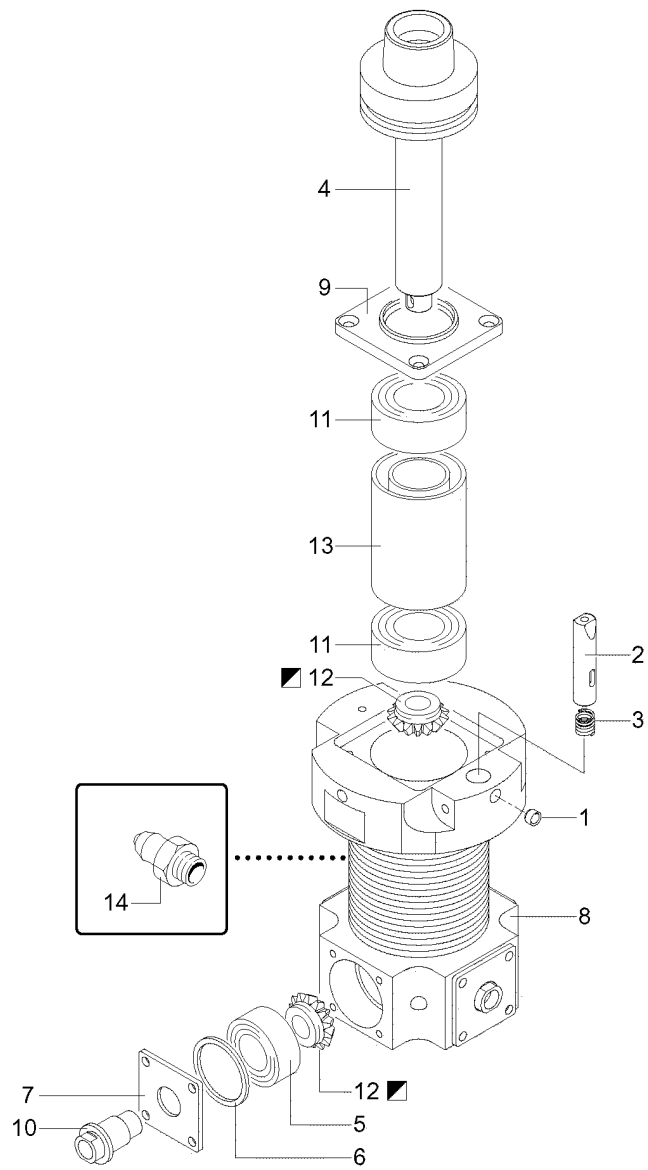


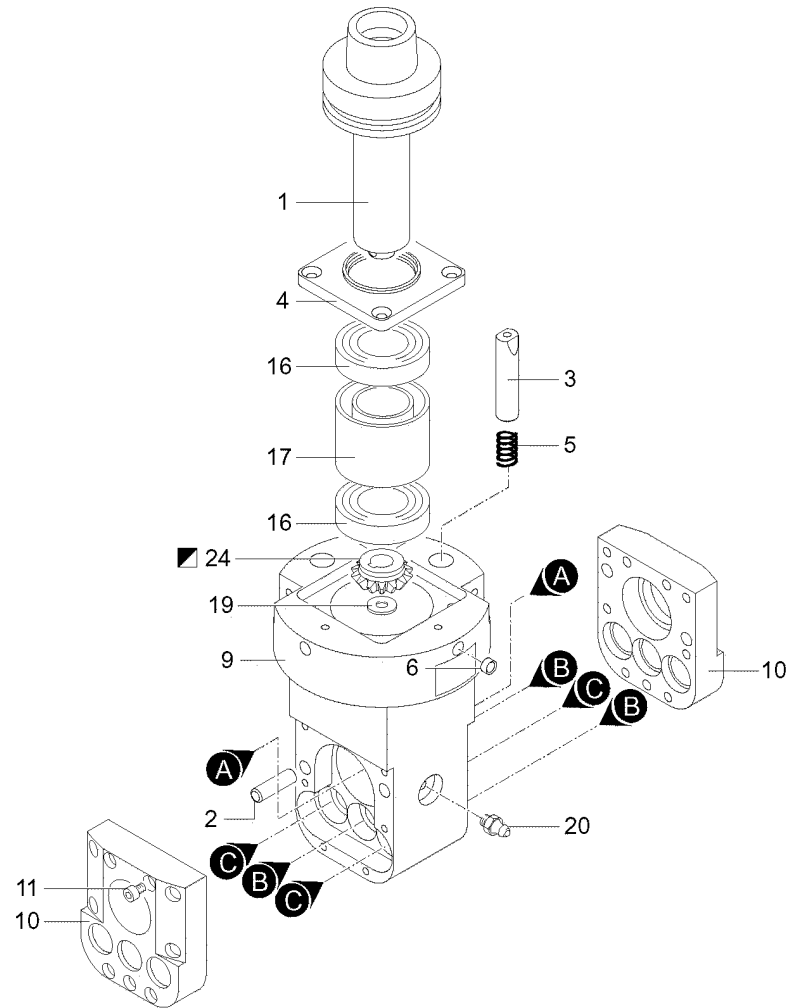
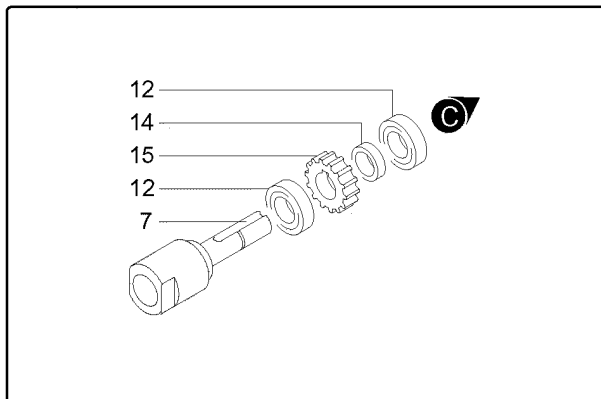
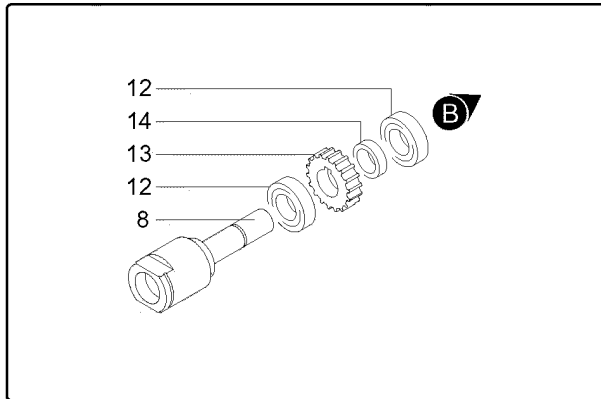
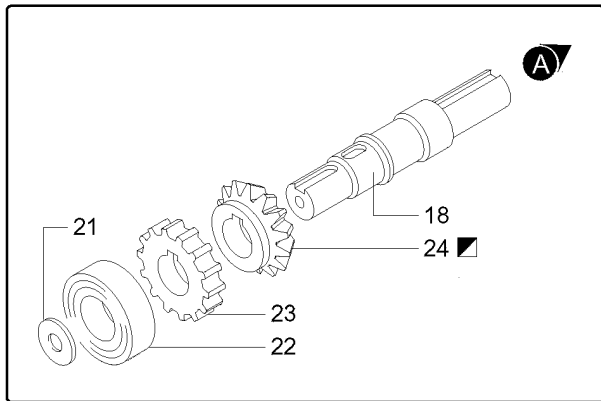
2 0908A0262
3 0912A0172

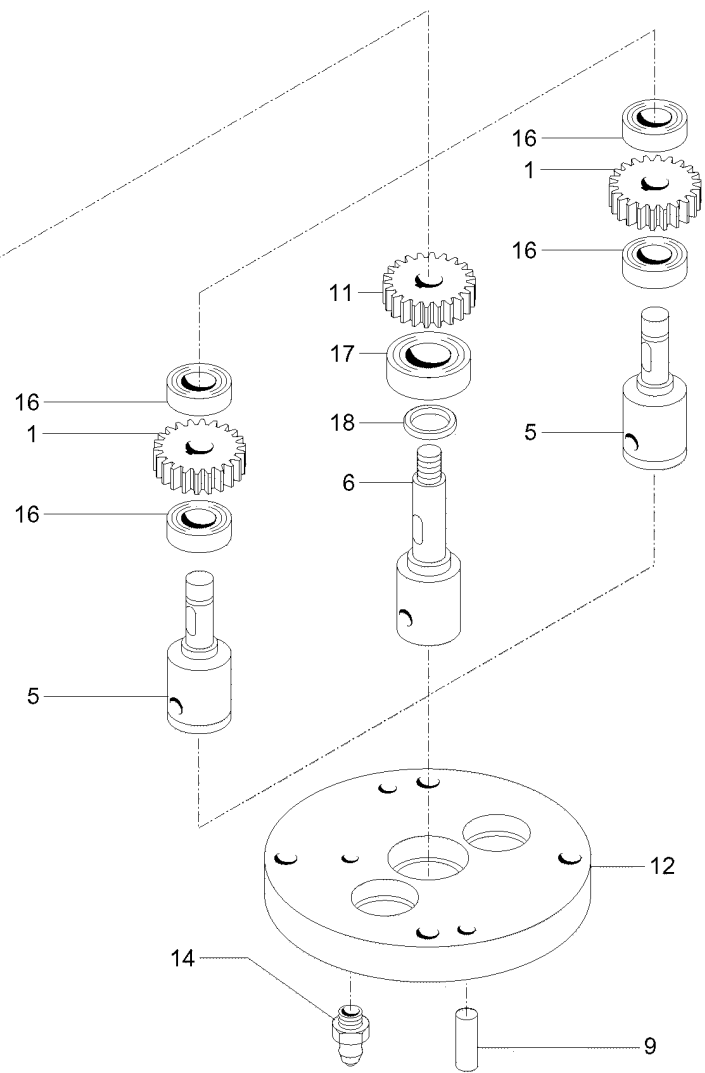
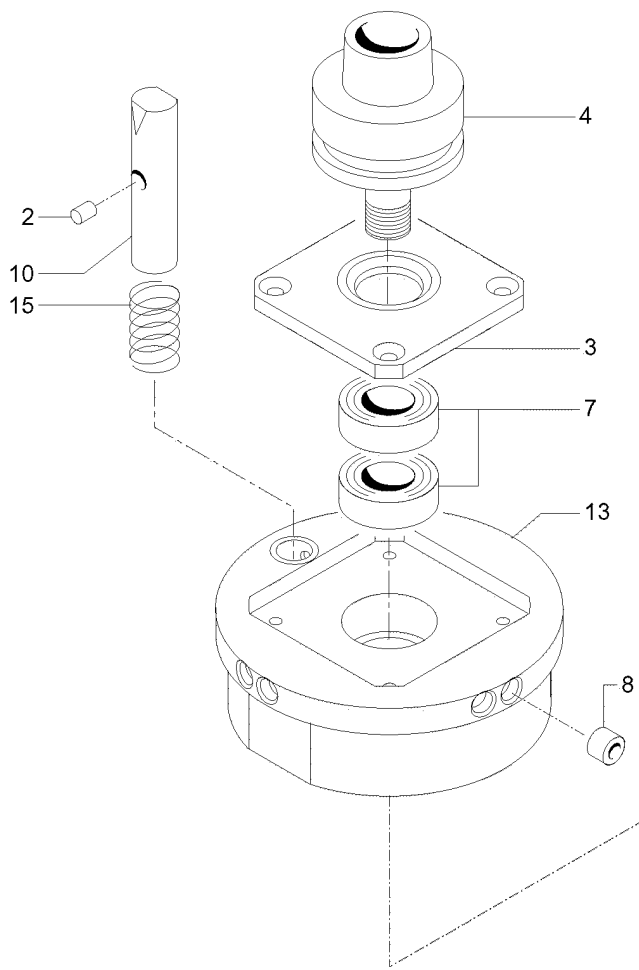


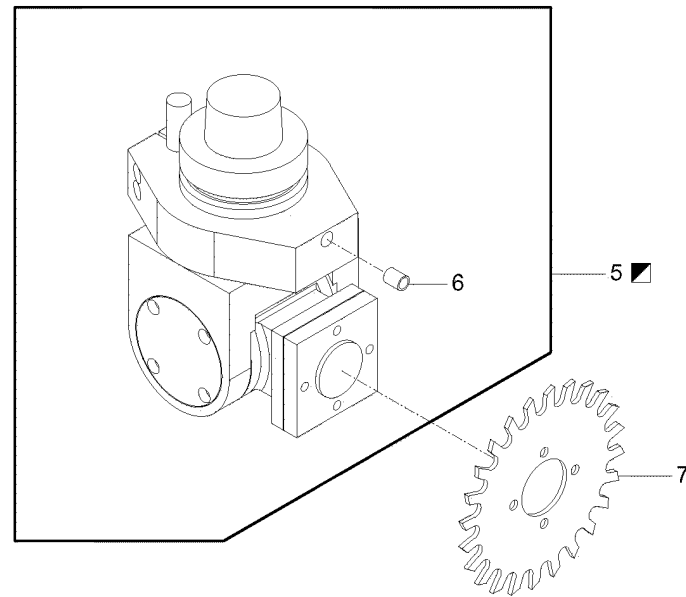
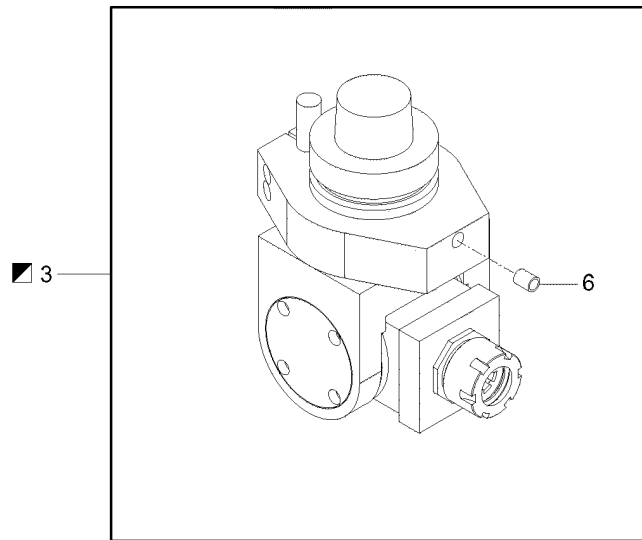
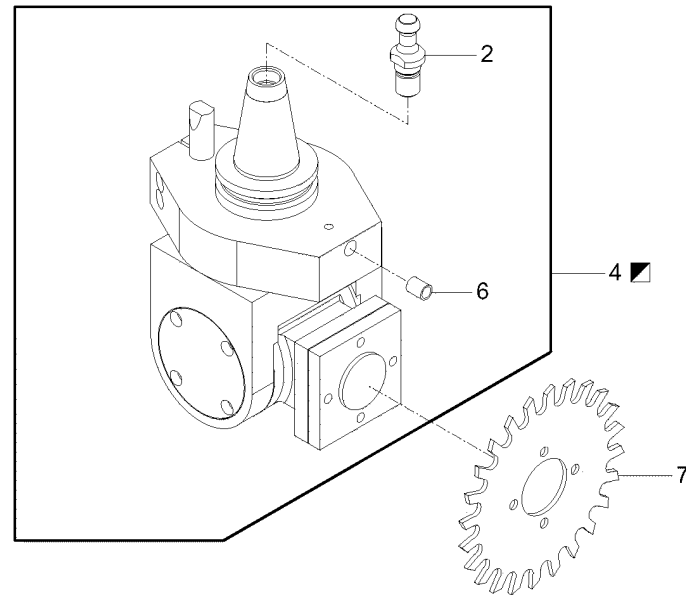
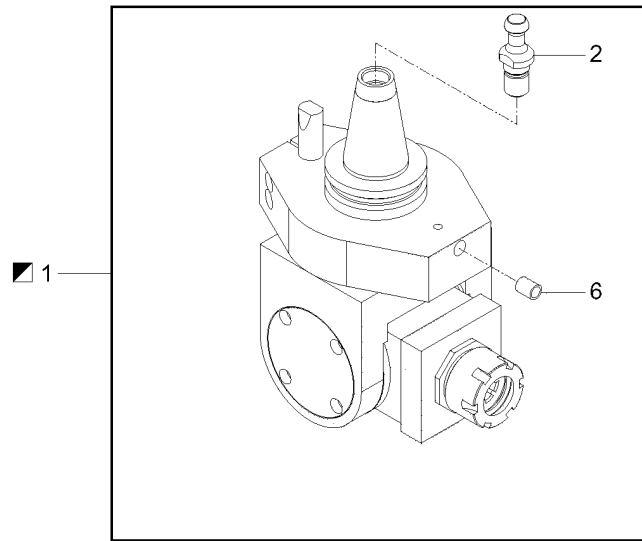
C0612A00 - SPINDLE BOX - 40190 - ROVER 22/24

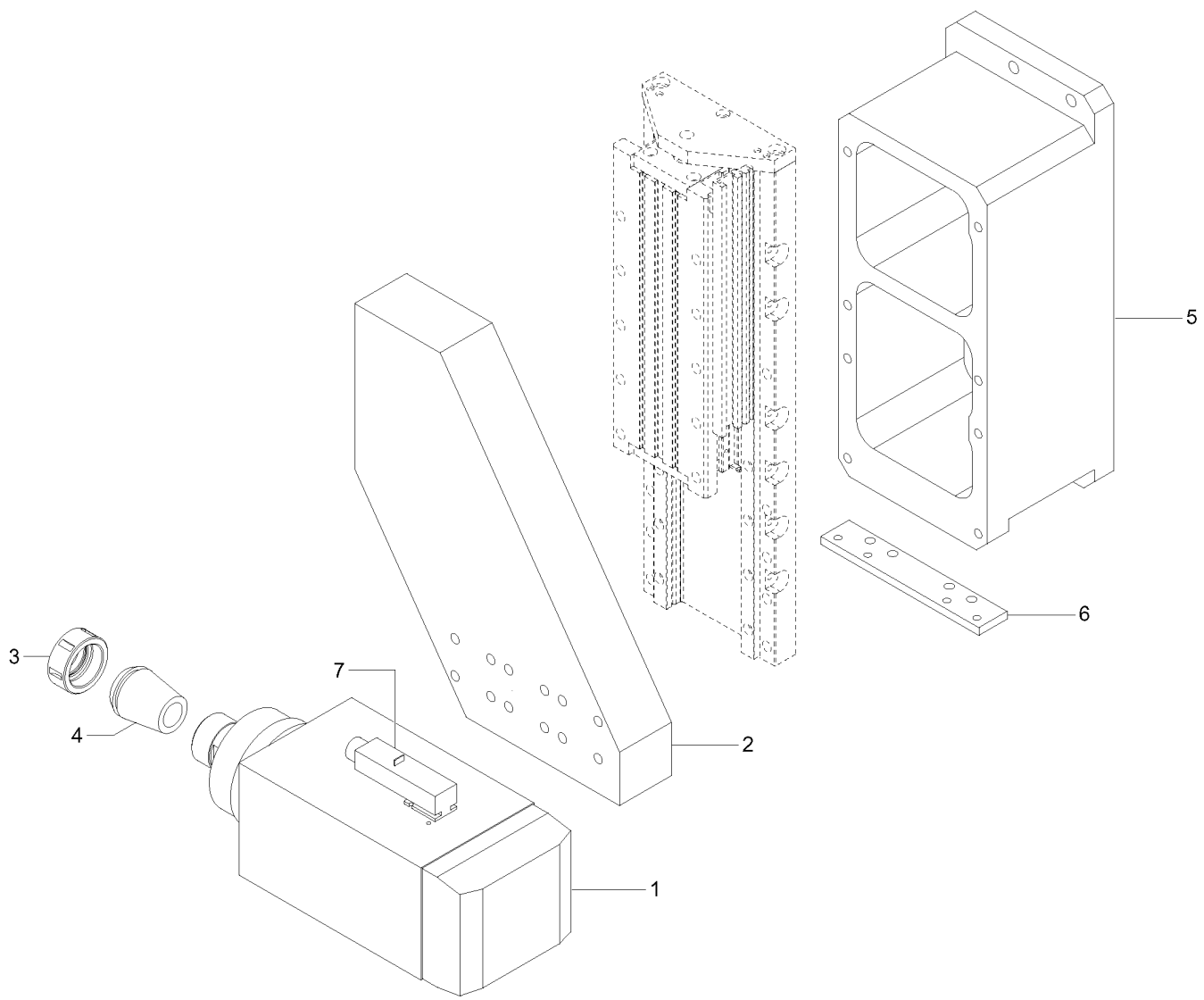
POSITION	DRAWING/COMPONENT	DESCRIPTION
2	0908A0262	COVER
3	0912A0172	BOX



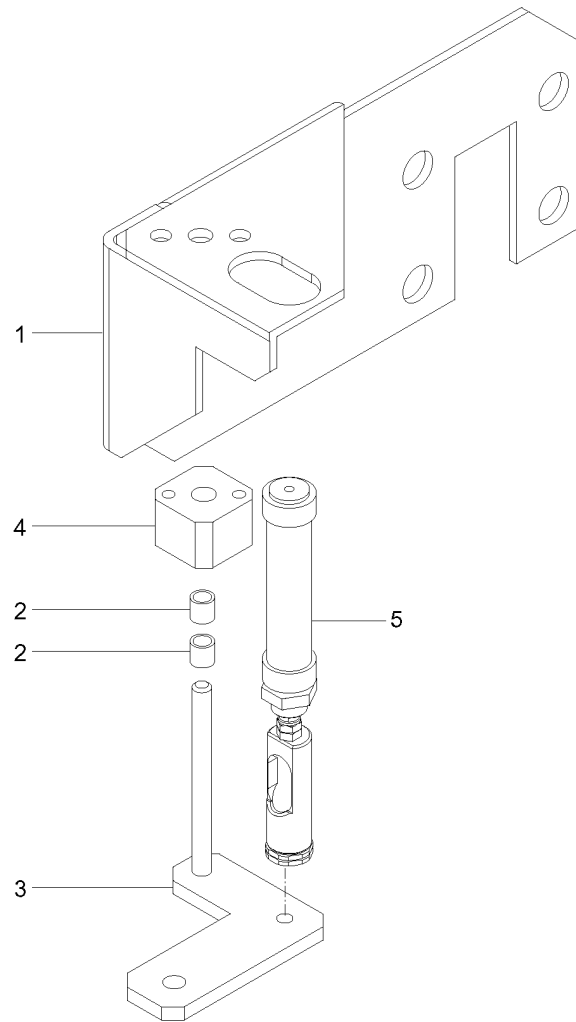






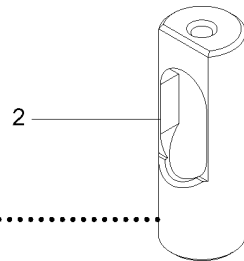
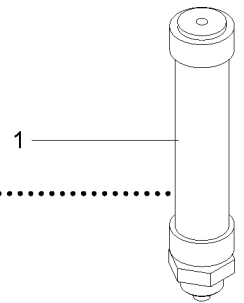
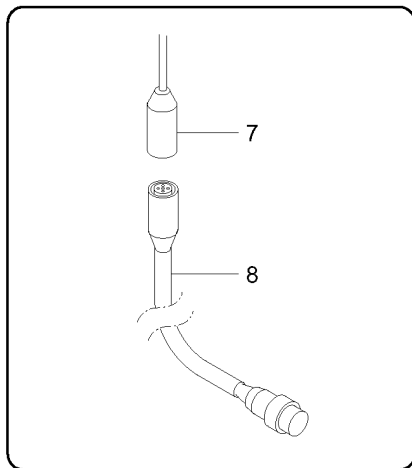
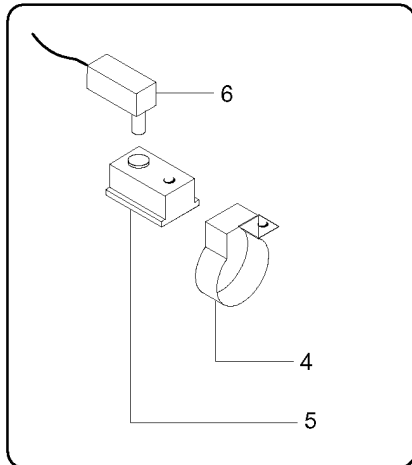


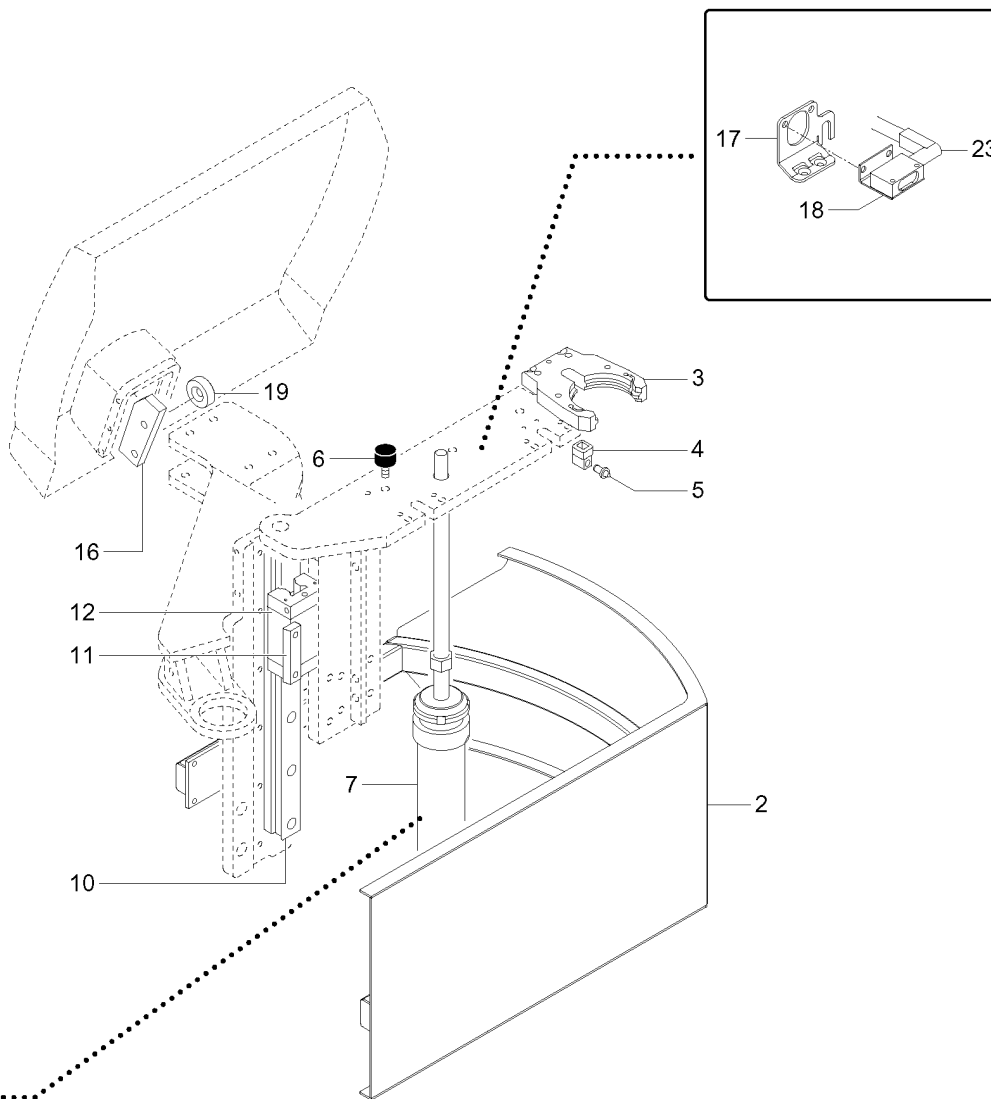
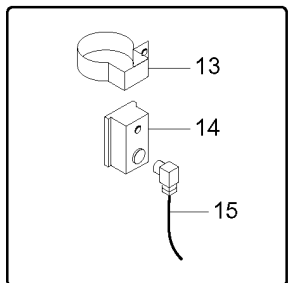
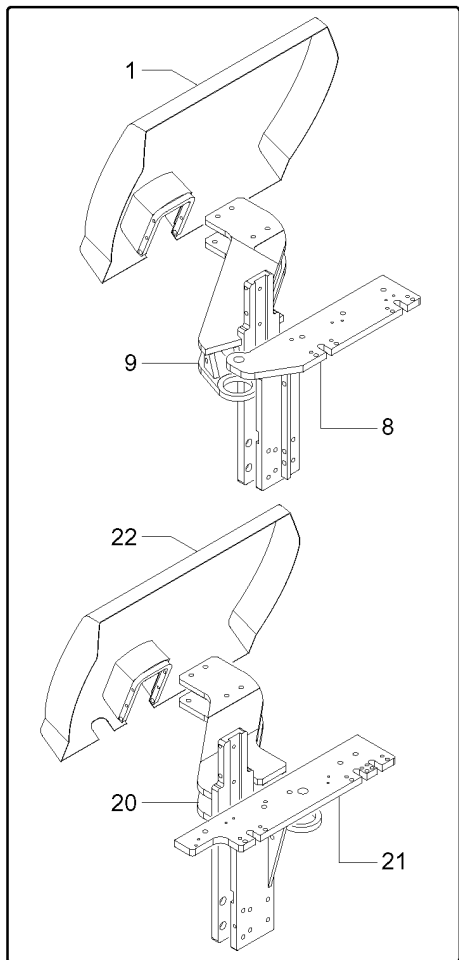
5 C0666A00

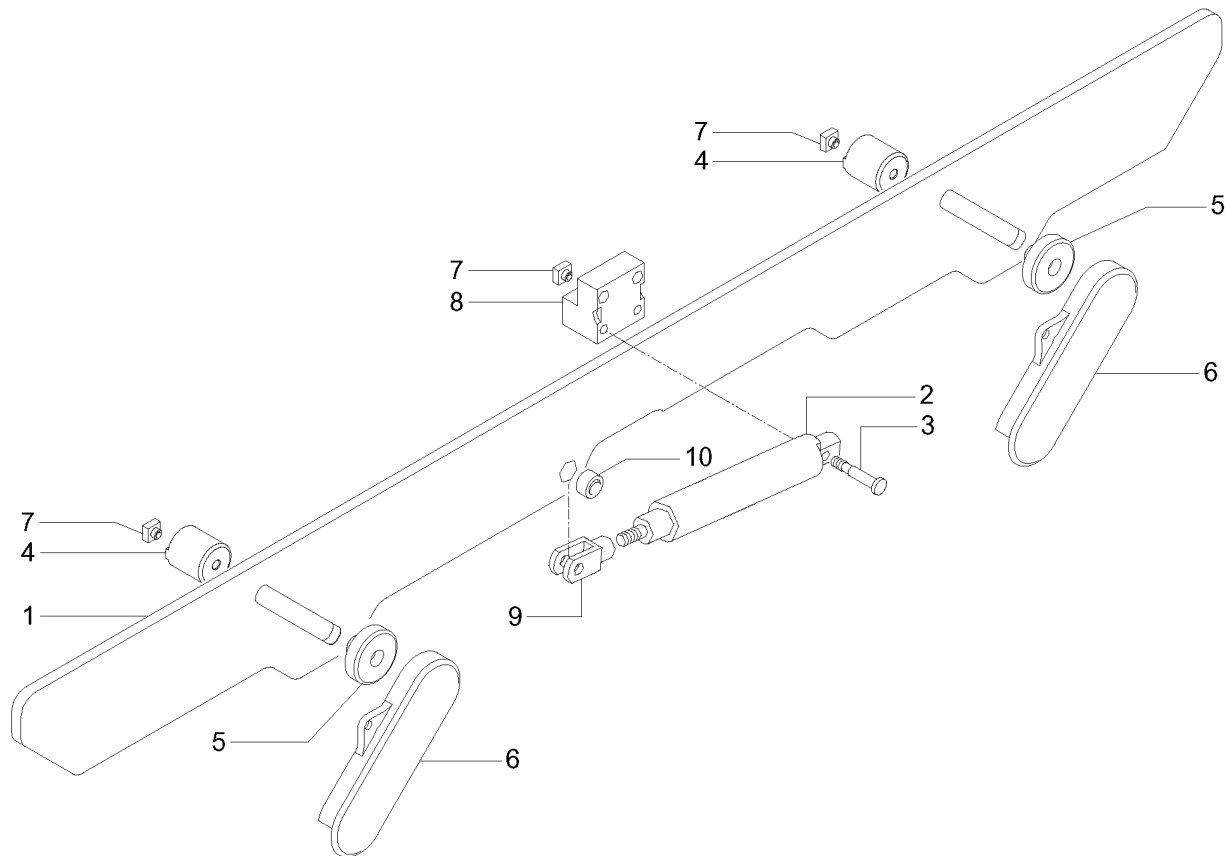


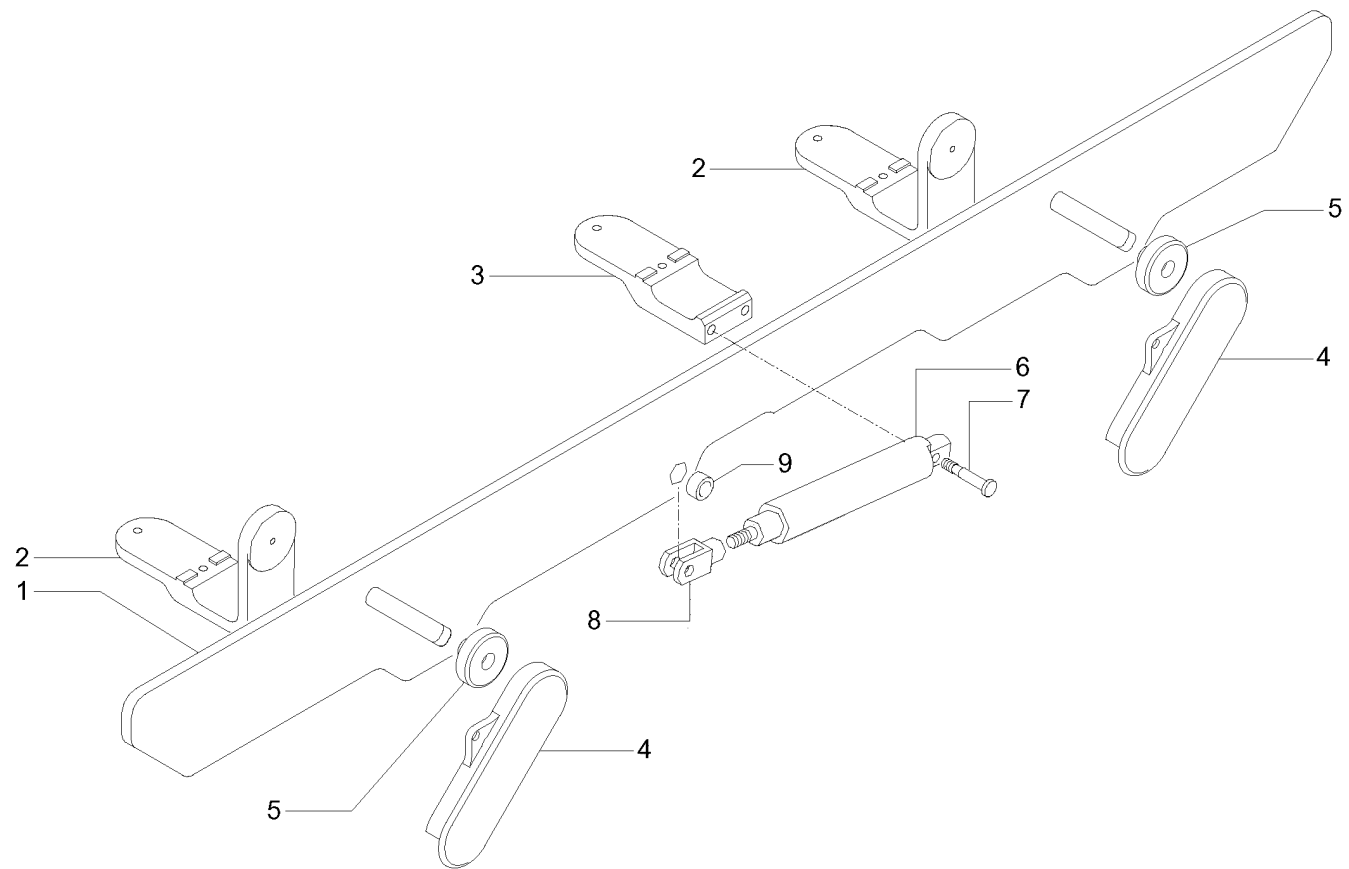
C0665A00 - SUPPORT - 40190 - ROVER 22/24

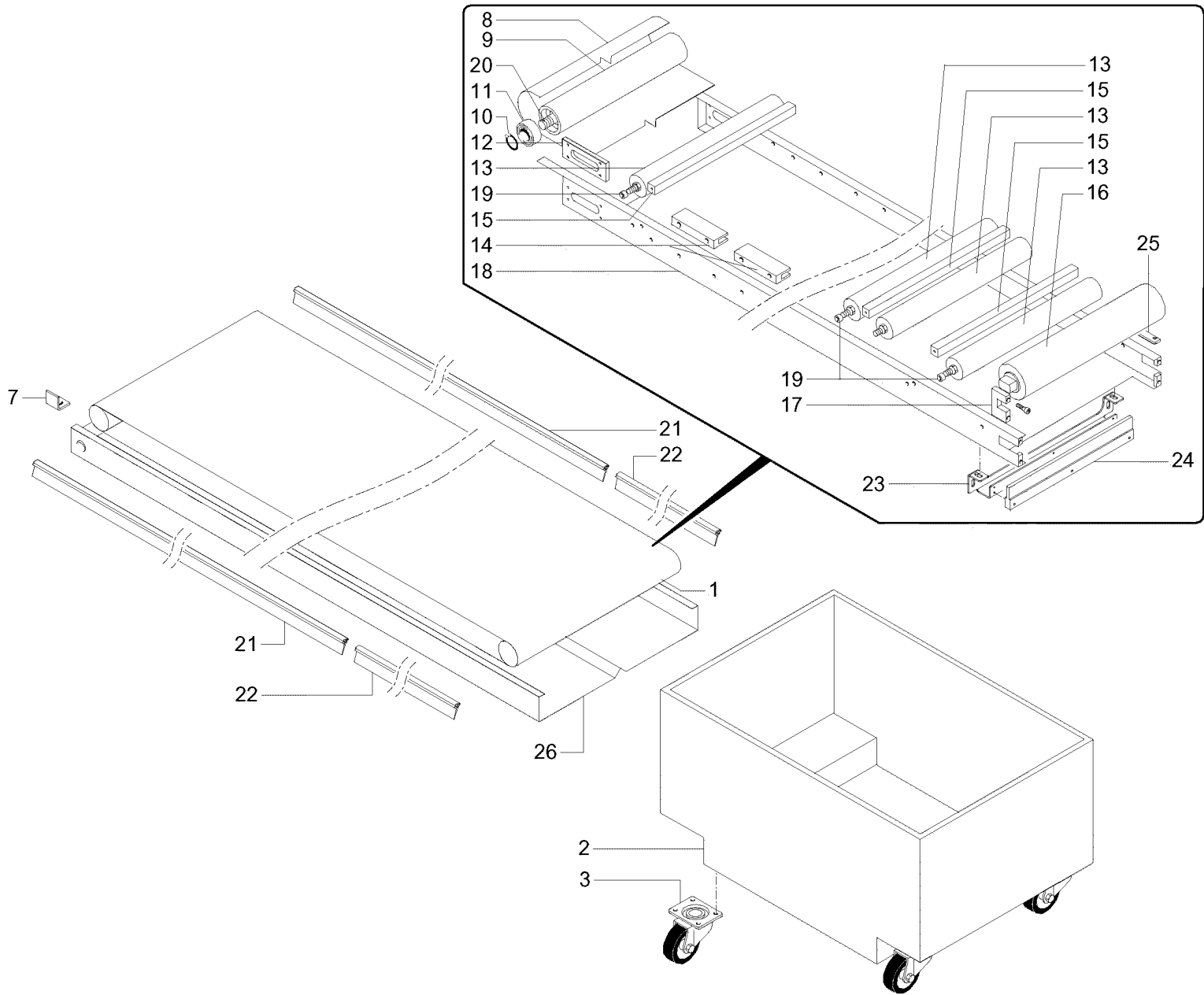
POSITION	DRAWING/COMPONENT	DESCRIPTION
5	C0666A00	BALLUFF DEVICE

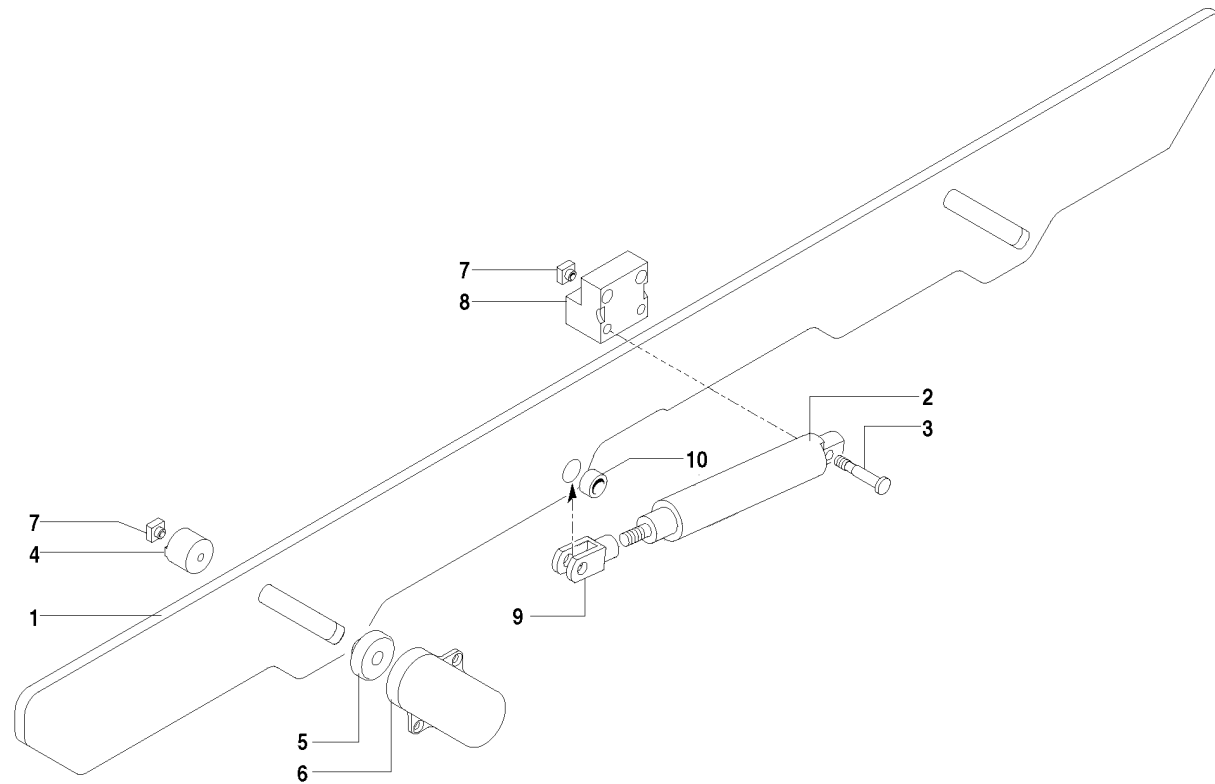










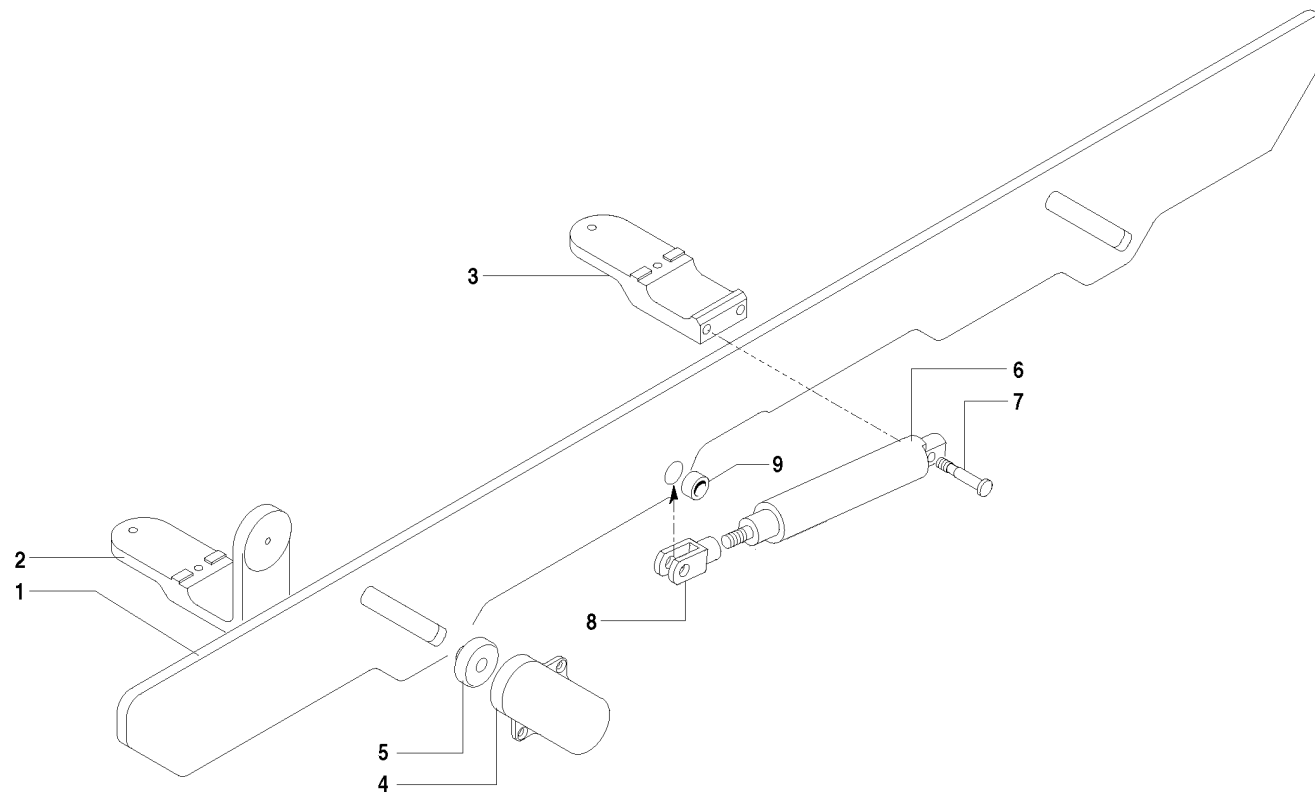


1	1414A0222
2	2420A0118
3	0820A0028
4	0817A0181
5	0817A0179
6	1408A0383
7	0804A0038
8	0905A0829
9	2012A0002
10	291004400 - GLY PG 1012..

D0155A00 - LOADER/UNLOADER ASSEMBLY - RV24 - 40190 - ROVER 22/24

POSITION	DRAWING/COMPONENT	DESCRIPTION
1	1414A0222	BAR
2	2420A0118	CYLINDER
3	0820A0028	PIN
4	0817A0181	SUPPORT
5	0817A0179	BUSHING
6	1408A0383	CASING
7	0804A0038	NUT
8	0905A0829	SUPPORT
9	2012A0002	SUPPORT
10	291004400	BUSHING - GLY PG 101210F

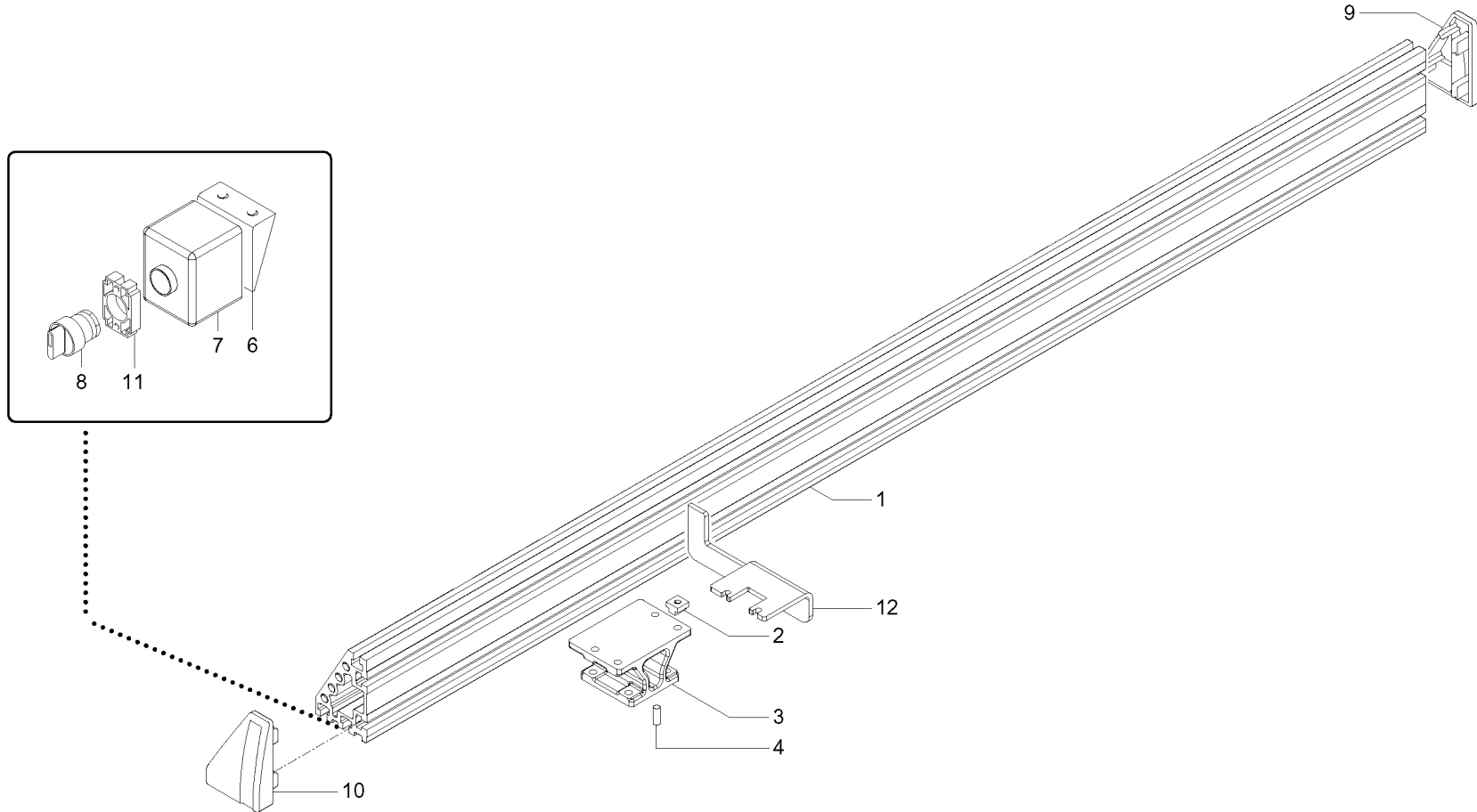
- 1 1414A0222
- 2 0905A0918
- 3 0905A0919
- 4 1408A0383
- 5 0817A0179
- 6 2420A0118
- 7 0820A0028
- 8 2012A0002
- 9 291004400 - GLY PG 1012..



D0156A00 - LOADER/UNLOADER ASSEMBLY - RV24 - 40190 - ROVER 22/24

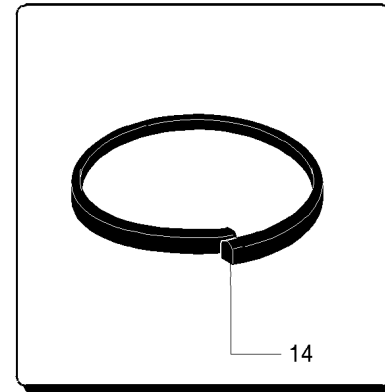
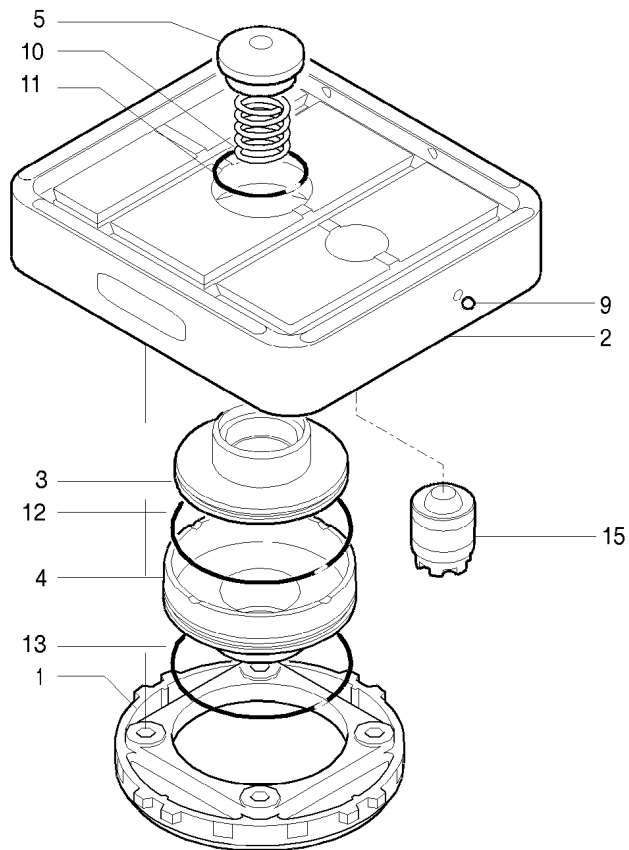
POSITION	DRAWING/COMPONENT	DESCRIPTION
1	1414A0222	BAR
2	0905A0918	SUPPORT
3	0905A0919	SUPPORT
4	1408A0383	CASING
5	0817A0179	BUSHING
6	2420A0118	CYLINDER
7	0820A0028	PIN
8	2012A0002	SUPPORT
9	291004400	BUSHING - GLY PG 101210F

- 1 0905A0745 - L=1279 DX
- 1 0905A1012 - L=1279 SX
- 2 0804A0038
- 3 0905A1165
- 4 302309100 - 6X12 M6
- 6 1205A0575V
- 7 2165A0010
- 8 2106A0088 - ZB4BD2
- 9 1401A0060 - DX
- 10 1401A0059 - SX
- 11 2123A0083 - ZB4-BZ009

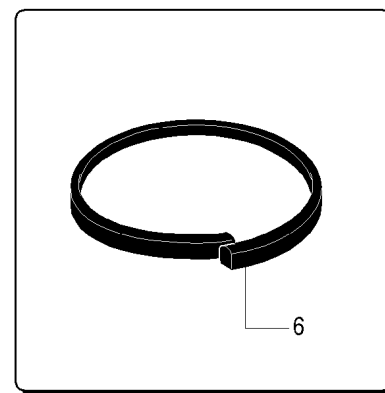
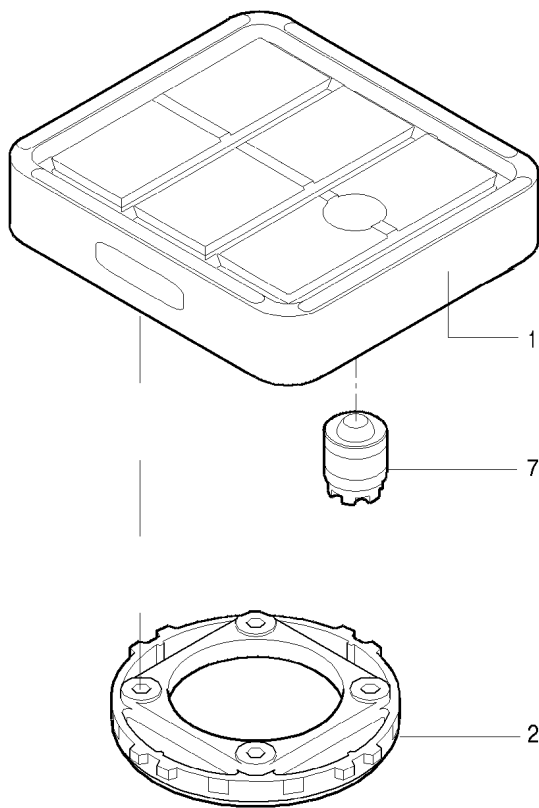


E0192A05 - SIDE WORK TABLE - 40190 - ROVER 22/24

POSITION	DRAWING/COMPONENT	DESCRIPTION
1	0905A0745	SUPPORT - L=1279 DX
1	0905A1012	SUPPORT - L=1279 SX
2	0804A0038	NUT
3	0905A1165	SUPPORT
4	302309100	DOWEL - 6X12 M6
6	1205A0575V	SUPPORT
7	2165A0010	BOX
8	2106A0088	SELECTOR - ZB4BD2
9	1401A0060	PLUG - DX
10	1401A0059	PLUG - SX
11	2123A0083	BASE - ZB4-BZ009

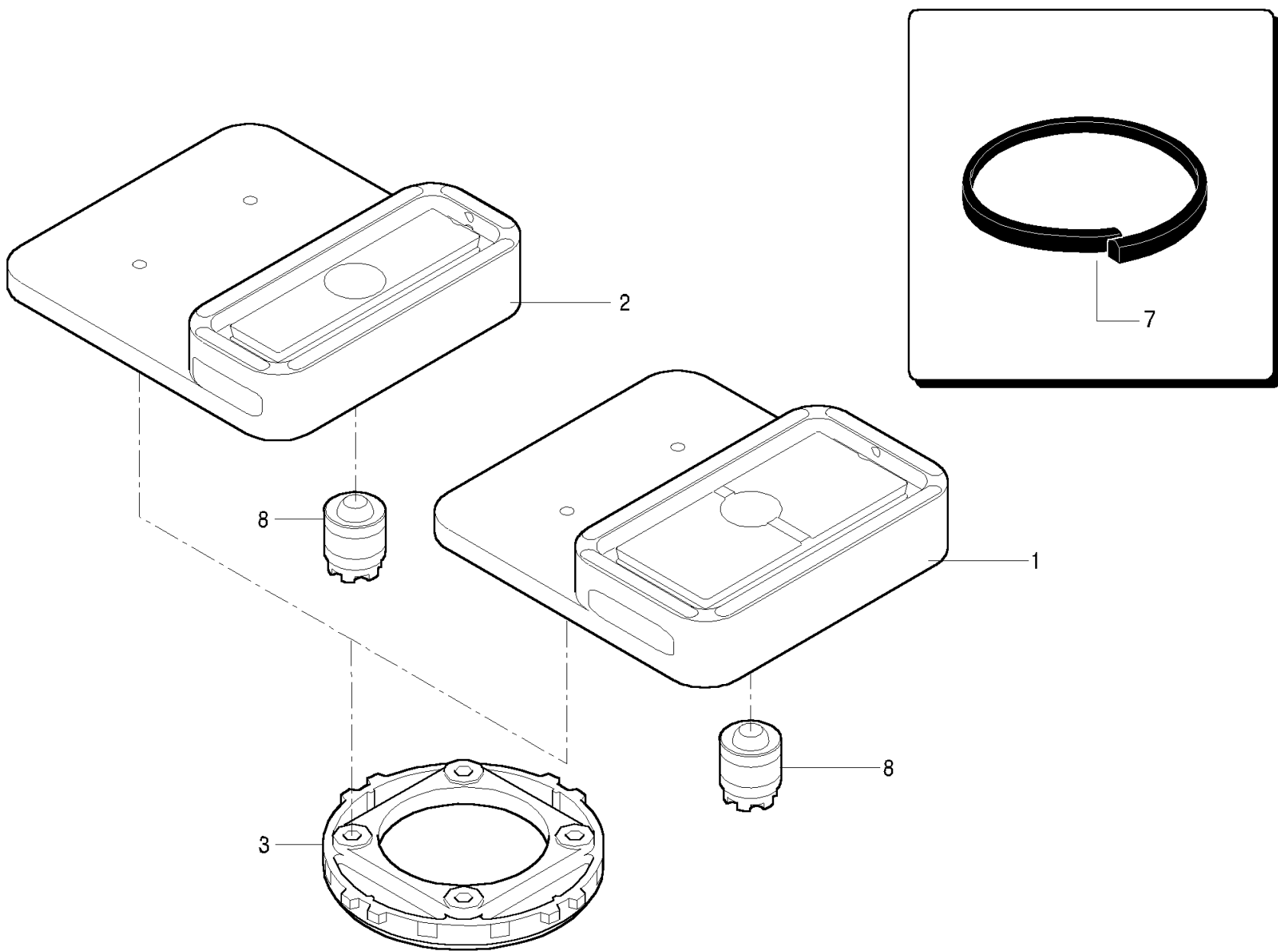


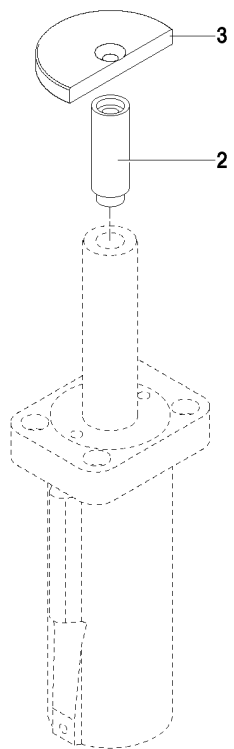
- 1 1614A0089 - 132x146
- 2 1405A0013
- 6 3123A0076
- 7 1704A0012

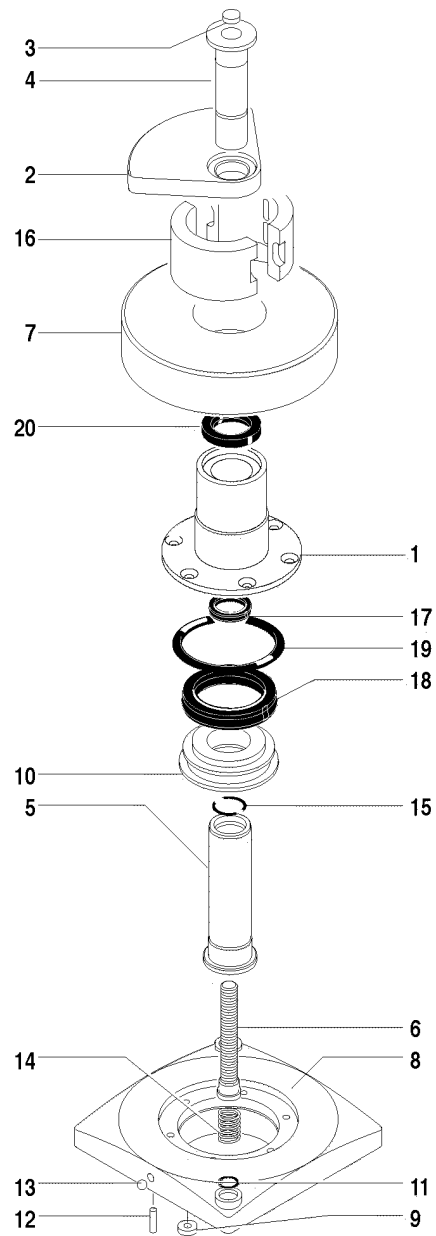


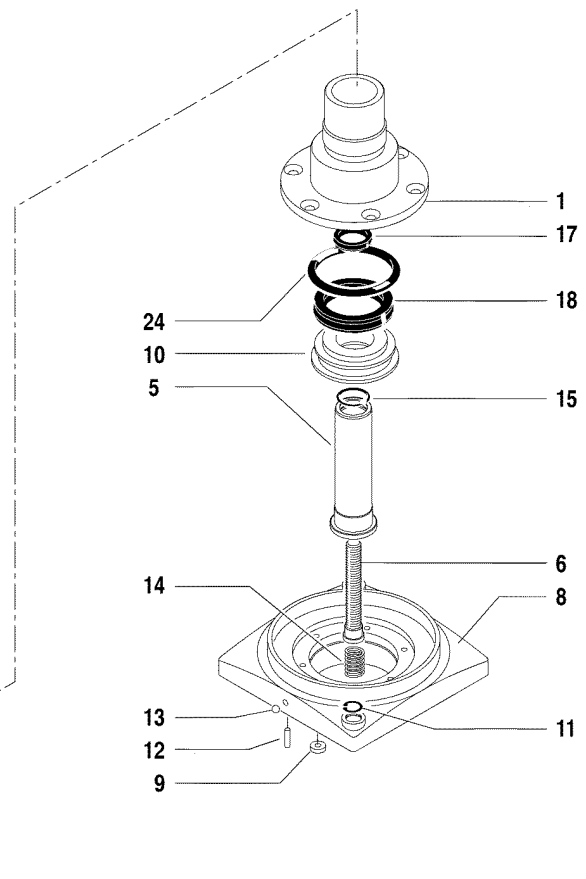
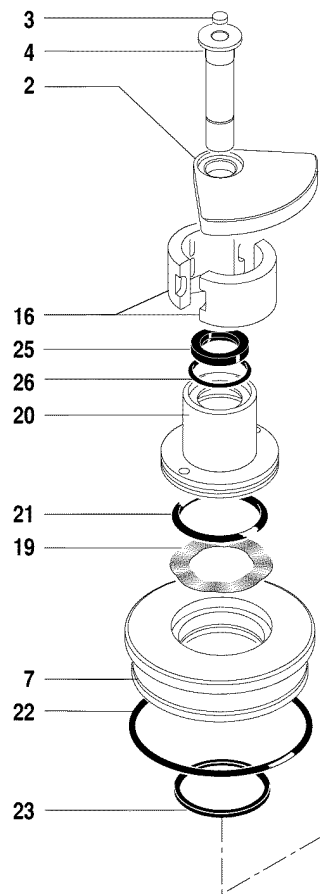
E0199A02 - SHAPEABLE SUCTION CUP - 40190 - ROVER 22/24

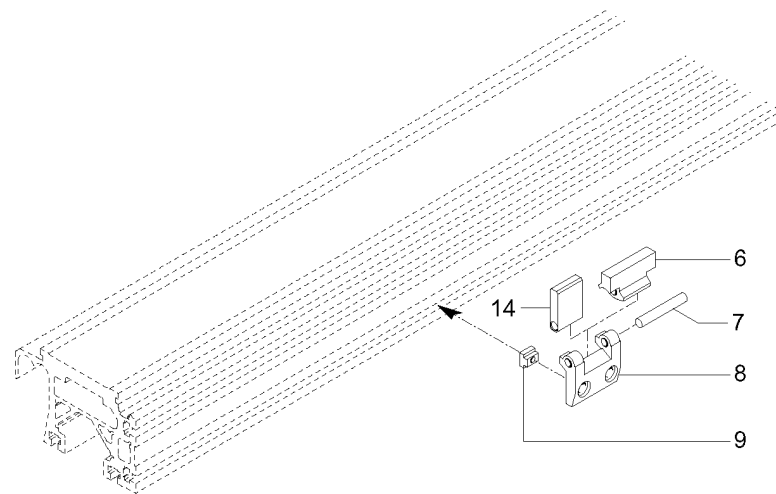
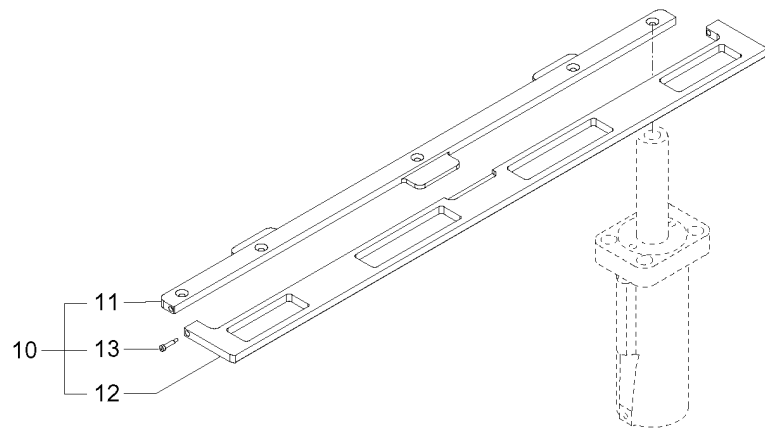
POSITION	DRAWING/COMPONENT	DESCRIPTION
1	1614A0089	PLATE - 132X146
2	1405A0013	SUPPORT
6	3123A0076	GASKET
7	1704A0012	SHUTTER

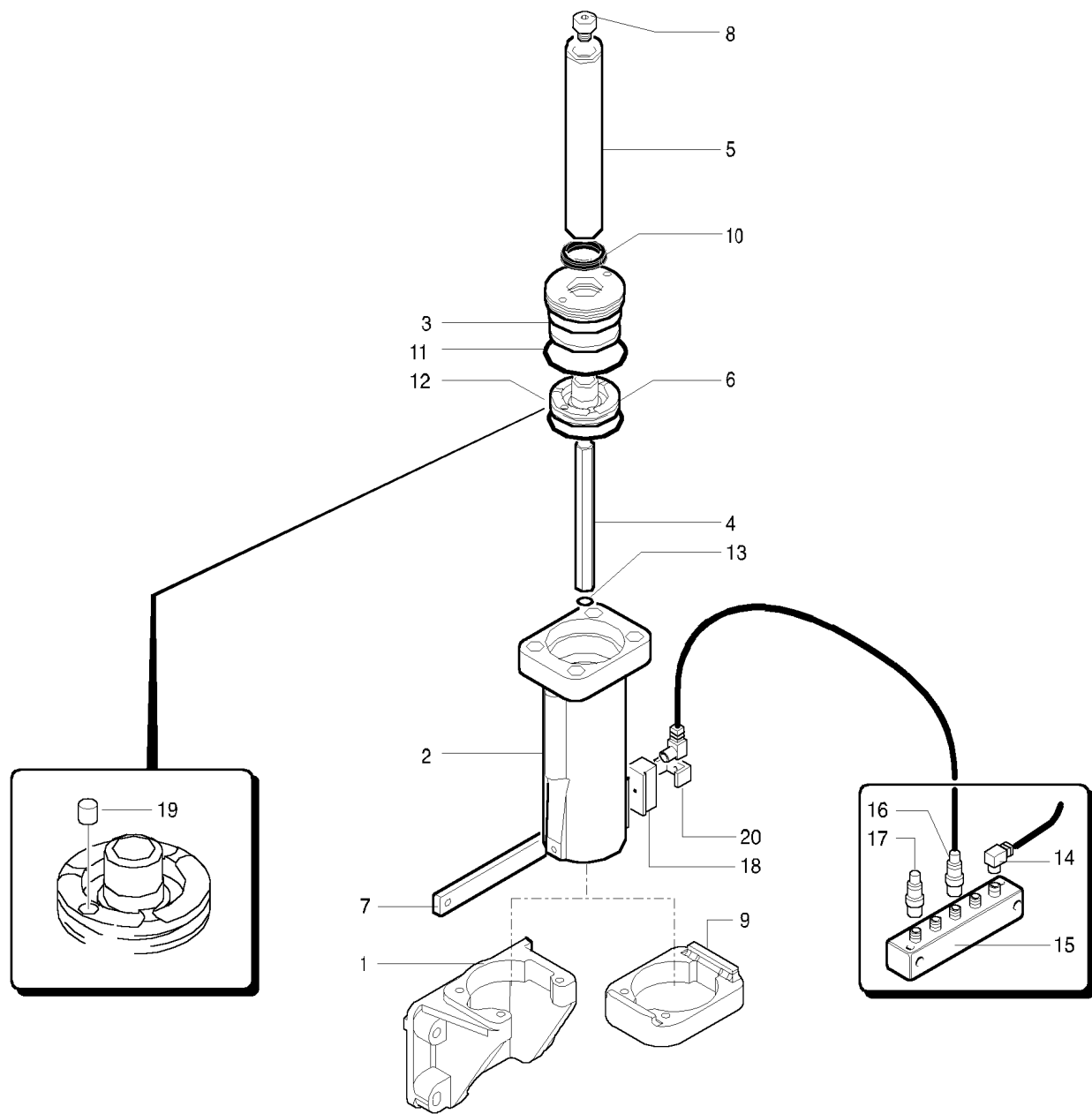








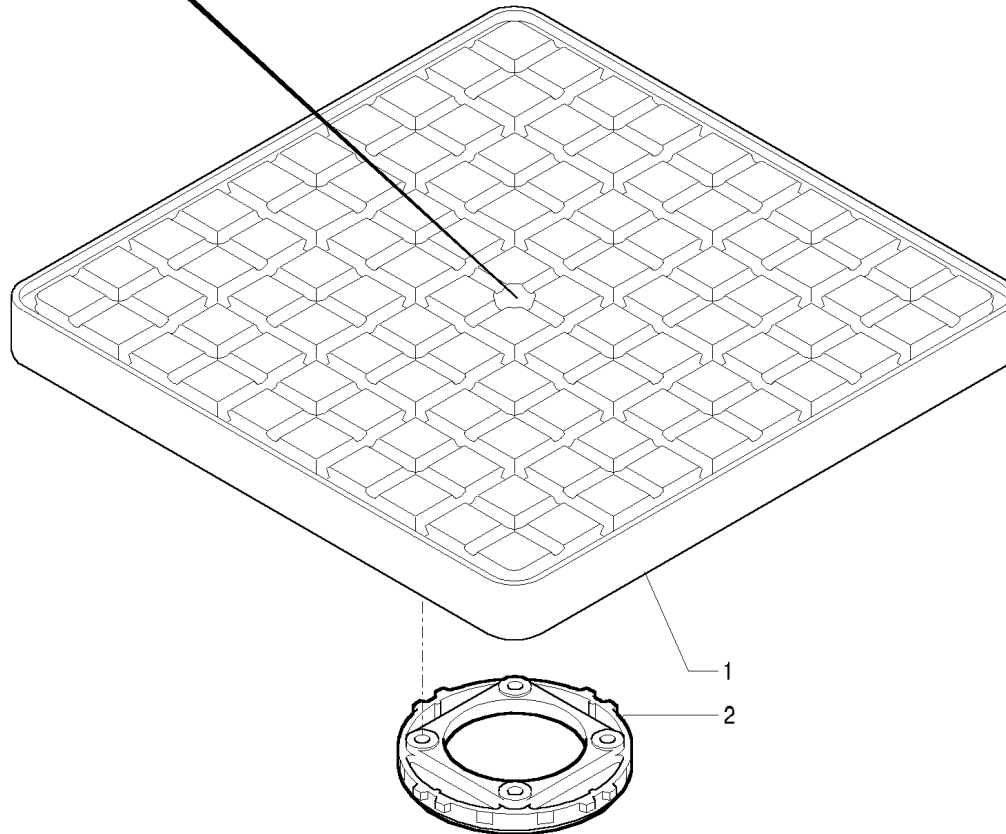
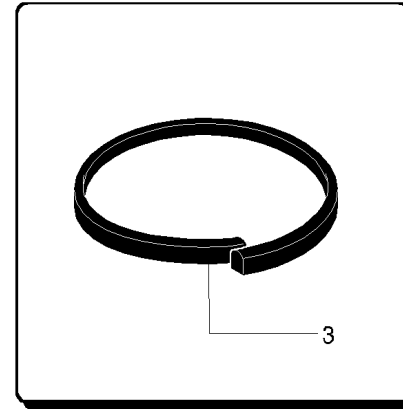
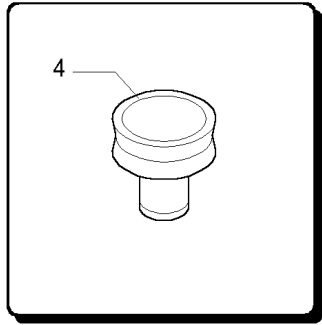


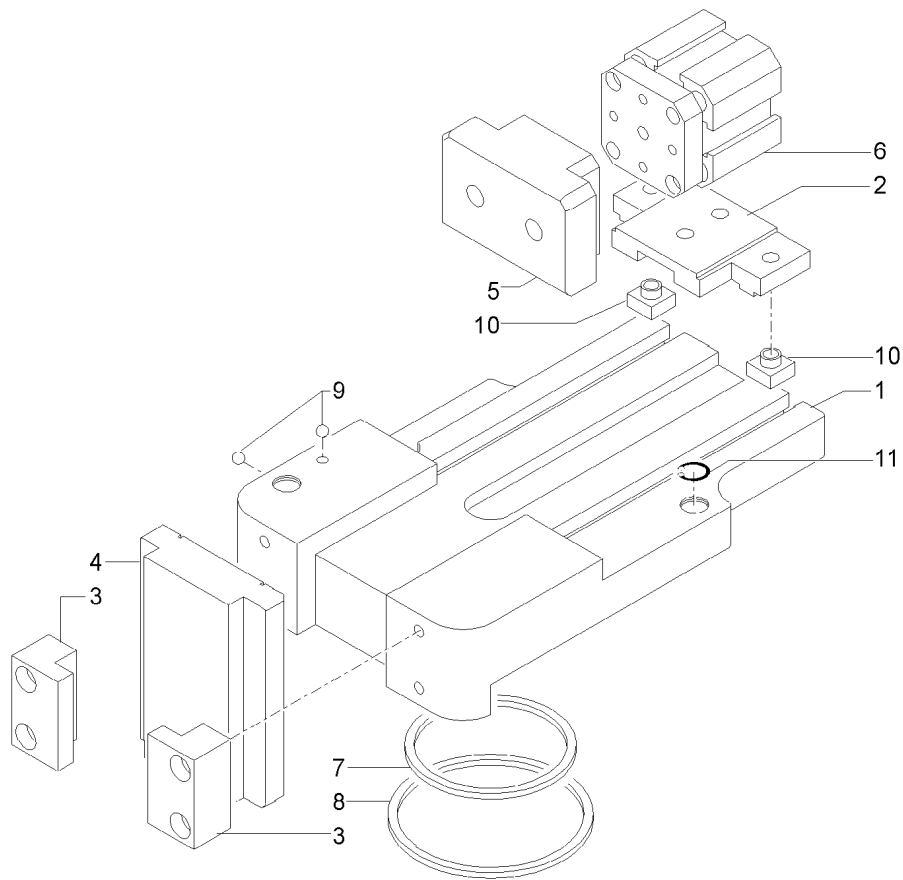


- 1 0905A0874
- 2 0916A0059
- 3 0717A0005
- 4 0820A0246
- 5 0815A0152
- 6 0915A0024
- 7 0802A0023
- 8 1401A0037
- 9 0914A0470
- 10 3110A0021
- 11 311026200
- 12 3123A0073 - 1540/31 "PN..
- 13 311000600
- 19 2010A0018

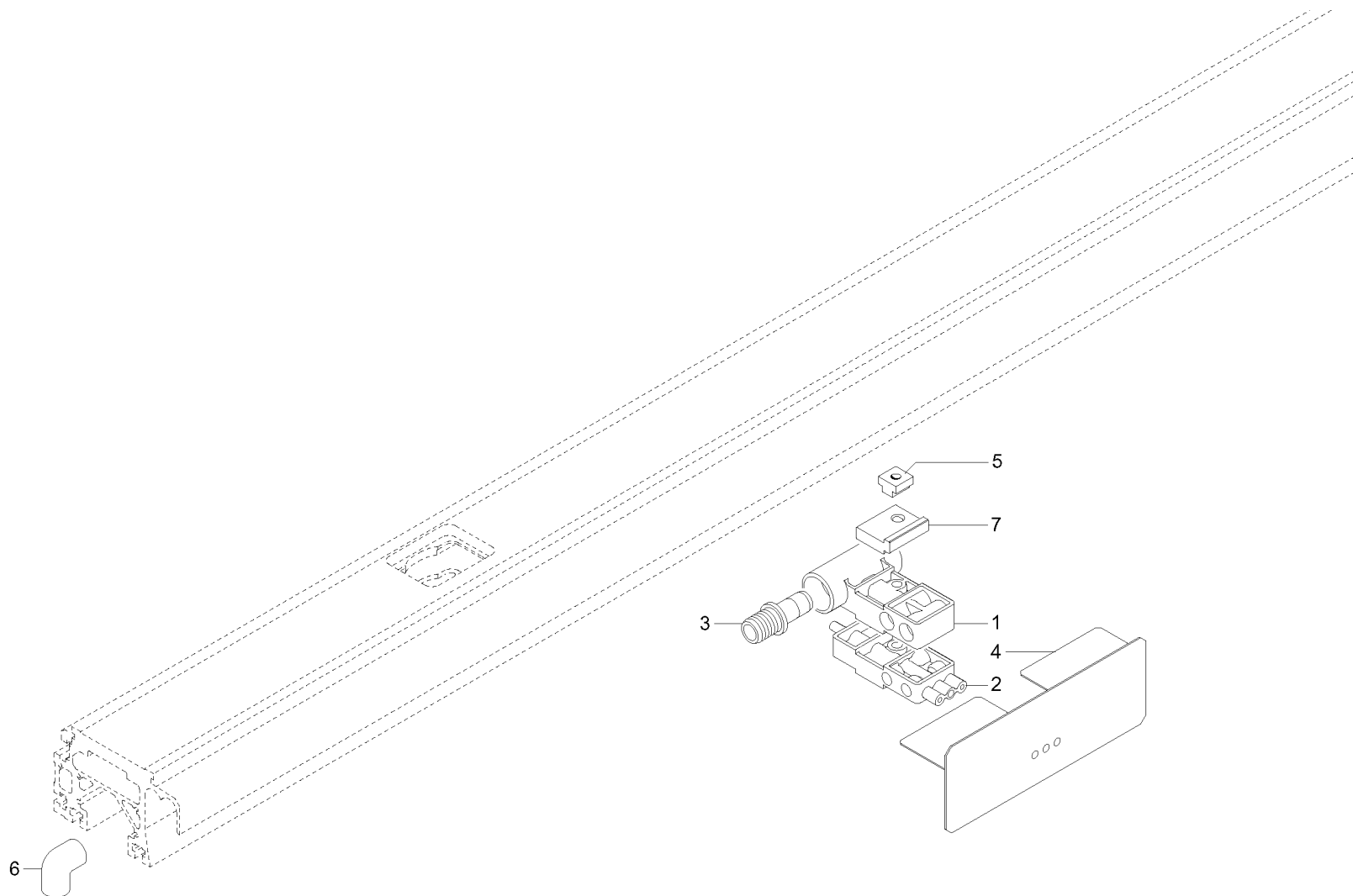
E0210A03 - STOP - 40190 - ROVER 22/24

POSITION	DRAWING/COMPONENT	DESCRIPTION
1	0905A0874	SUPPORT
2	0916A0059	CYLINDER LINER
3	0717A0005	BUSHING
4	0820A0246	PIN
5	0815A0152	ROD
6	0915A0024	PISTON
7	0802A0023	GIB
8	1401A0037	PLUG
9	0914A0470	PLATE
10	3110A0021	SEAL RING
11	311026200	SEAL RING
12	3123A0073	GASKET - 1540/31 "PNEUMAX"
13	311000600	SEAL RING
19	2010A0018	MAGNET



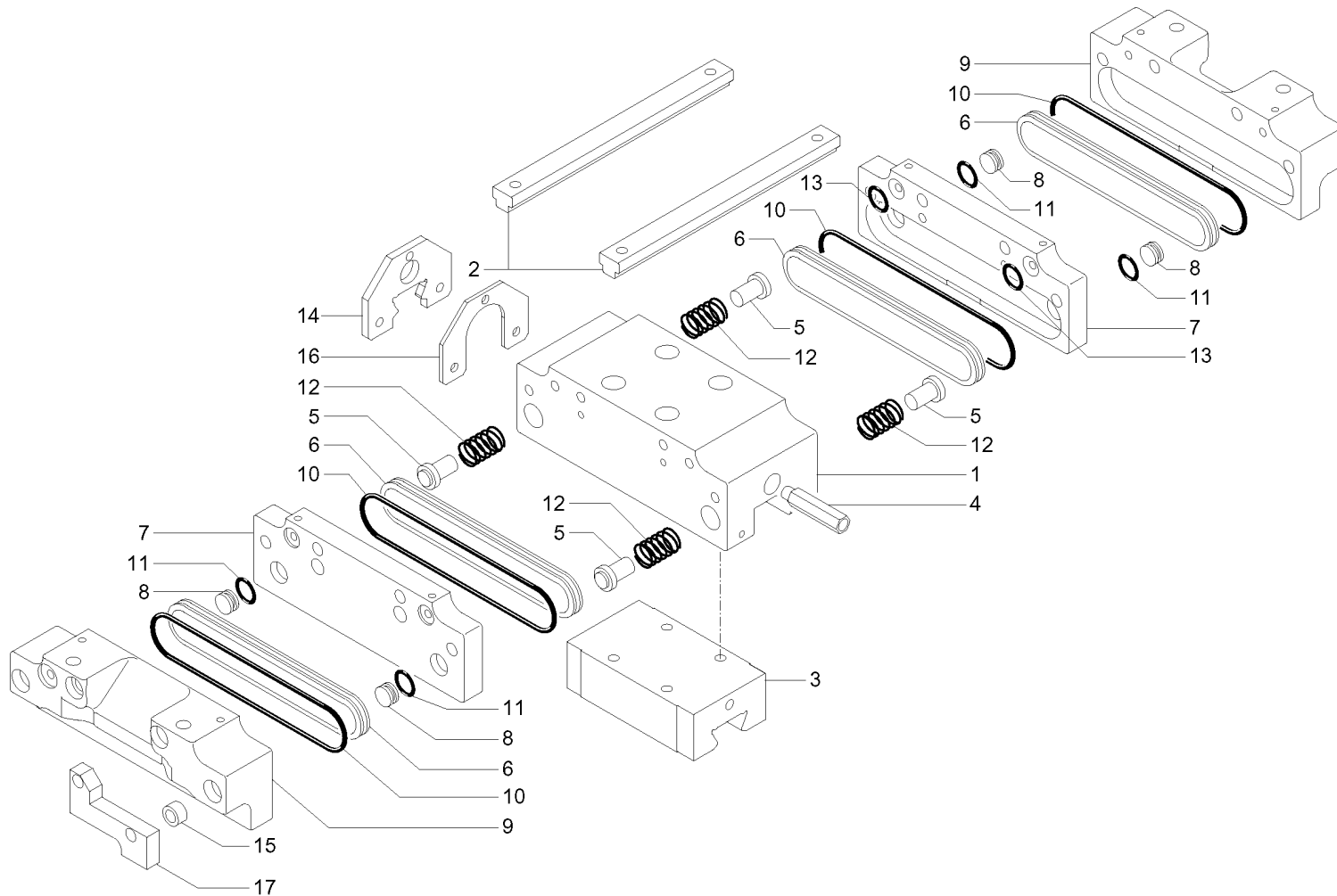


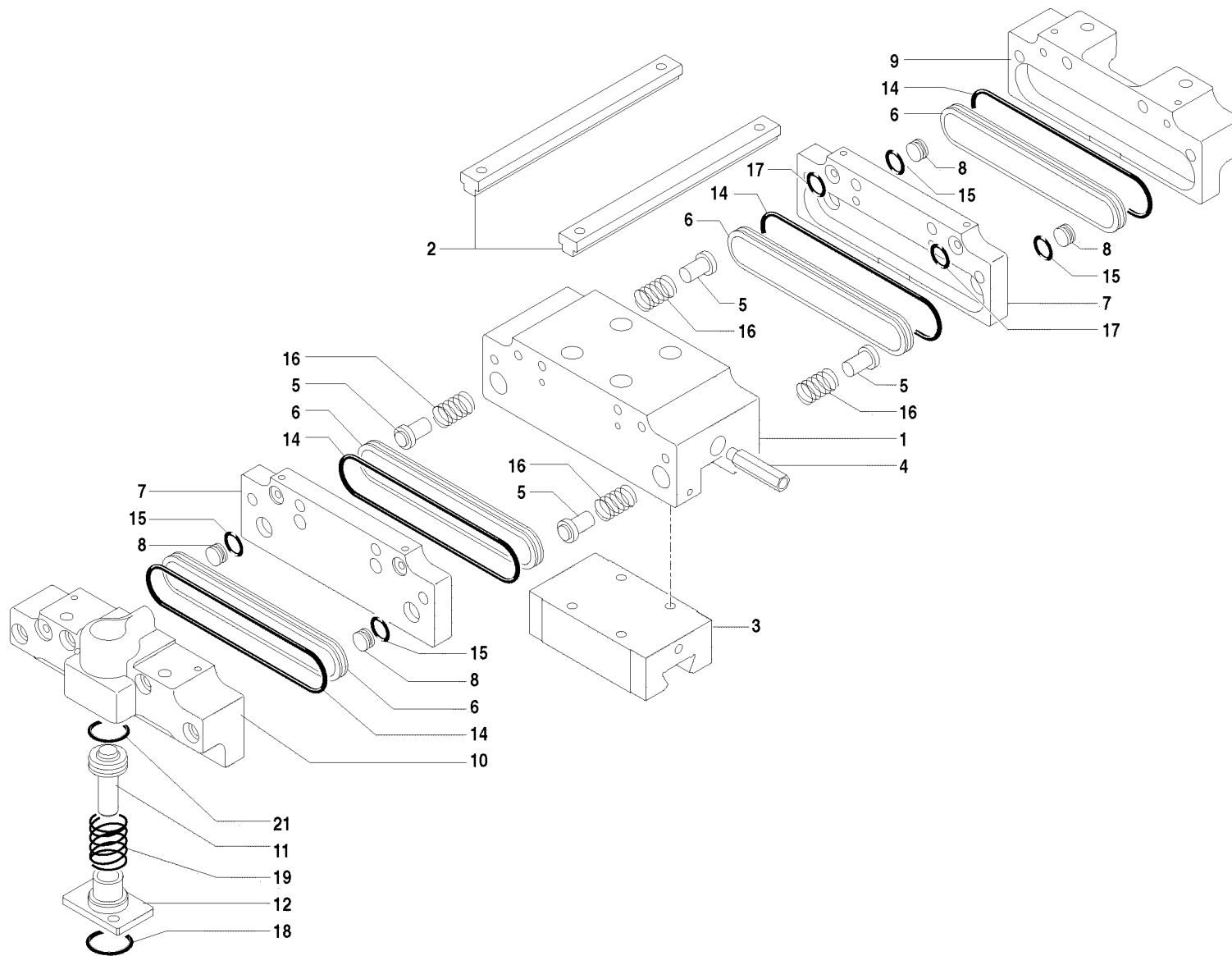
- 1 1713A0013
- 2 1413A0009
- 3 1104A0010
- 4 1208A1641
- 5 0804A0038

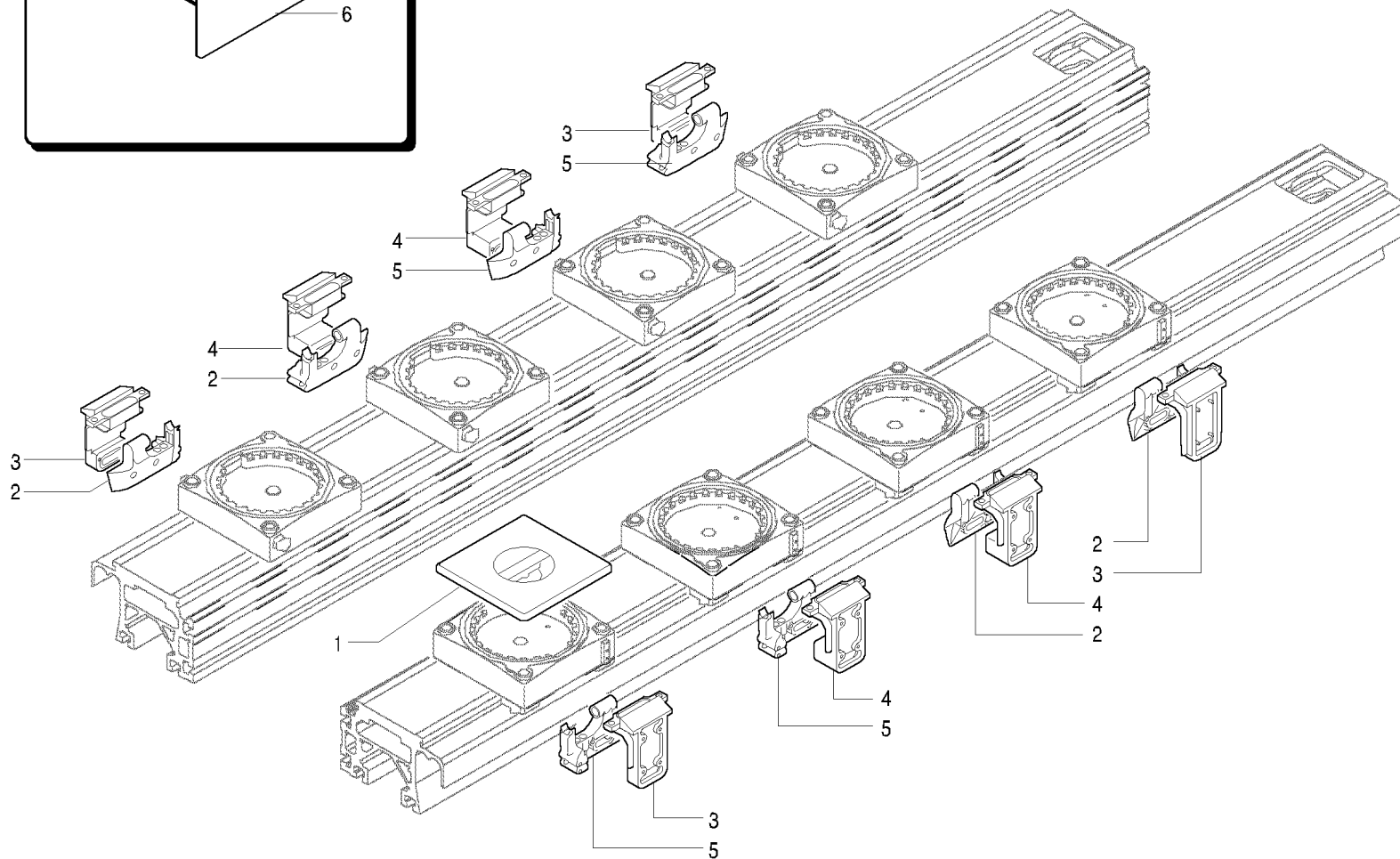
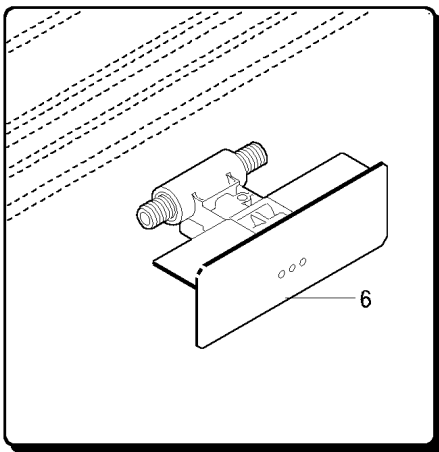


E0236A02 - DISTRIBUTOR - 40190 - ROVER 22/24

POSITION	DRAWING/COMPONENT	DESCRIPTION
1	1713A0013	DISTRIBUTOR
2	1413A0009	AIR DISTRIBUTOR
3	1104A0010	CONNECTOR
4	1208A1641	COVER
5	0804A0038	NUT



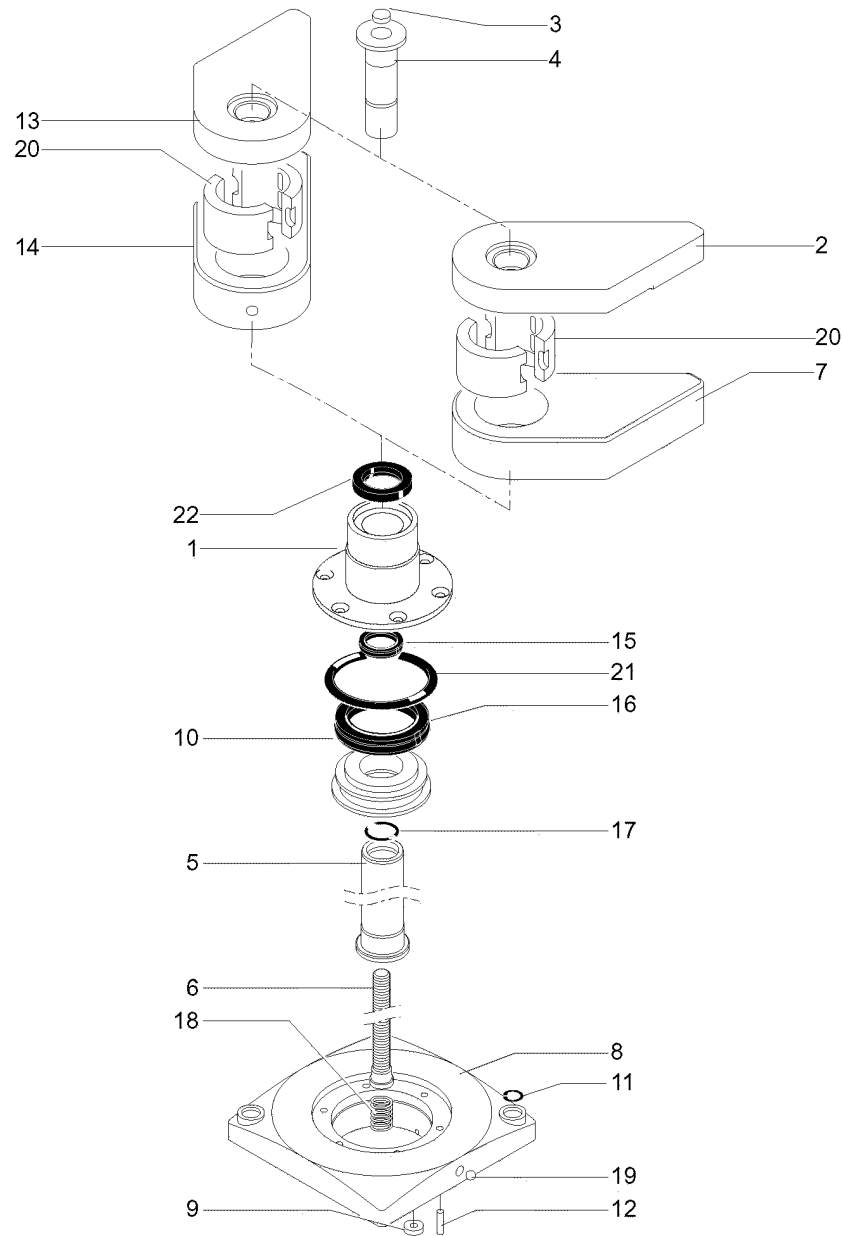




- 1 1701A0004
- 2 1713A0011 - DX
- 3 0913A0085
- 4 0913A0086
- 5 1713A0012 - SX
- 6 E0236A02

E0239A01 - DISTRIBUTOR - 40190 - ROVER 22/24

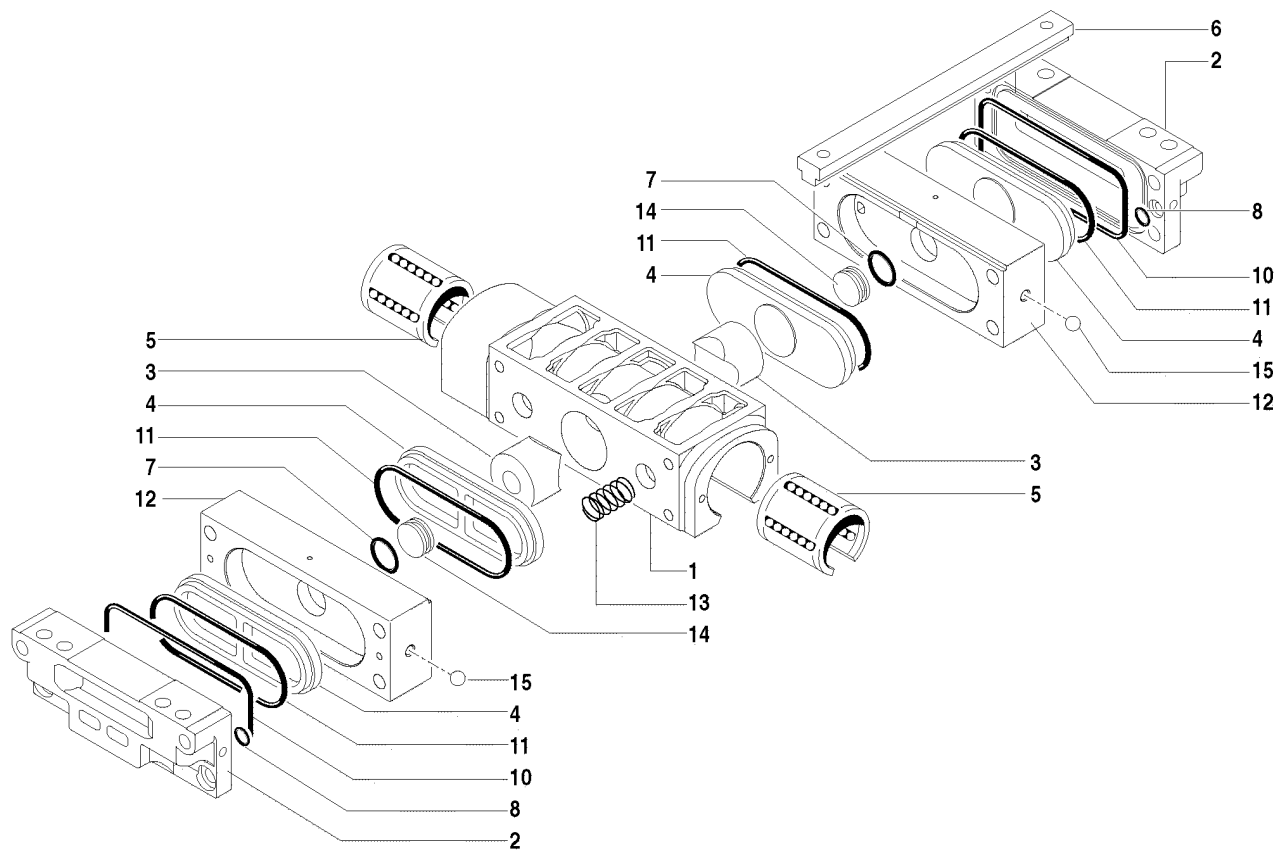
POSITION	DRAWING/COMPONENT	DESCRIPTION
1	1701A0004	PLUG
2	1713A0011	DISTRIBUTOR - DX
3	0913A0085	DISTRIBUTOR
4	0913A0086	DISTRIBUTOR
5	1713A0012	DISTRIBUTOR - SX
6	E0236A02	DISTRIBUTOR



1	0717A0017 - L=68
1	0717A0018 - L=40
3	2403A0004 - D=25
4	0815A0134 - H=87
4	0815A0226 - H=67
5	0815A0133 - H=100
5	0815A0227 - H=75,5
6	0820A0230 - H=90
6	0820A0391 - H=68
8	0905A0800
9	1419A0023 - H=3
10	0915A0014
11	302913100 - I 11
12	3023A0230 - 4X16 M6 EN ..
13	1601A0029
14	1601A0021
15	310701600
16	3102A0011
17	311001800 - OR 2075
18	2801A0117
19	292100100 - ISO 30
20	1606A0041 - H=14
20	1606A0042 - H=38
21	311026700
22	311403800

E0247A01 - STOP - 40190 - ROVER 22/24

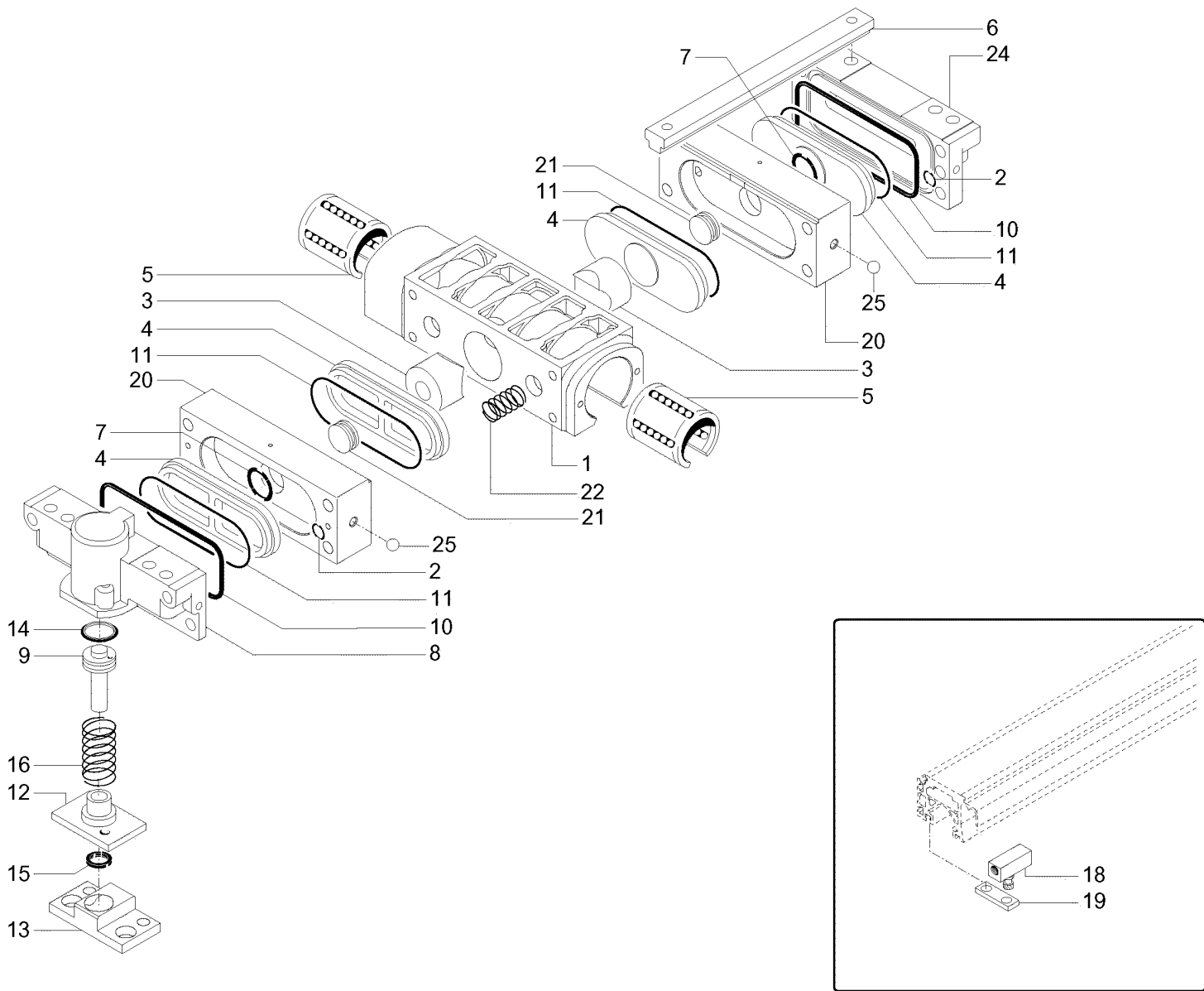
POSITION	DRAWING/COMPONENT	DESCRIPTION
1	0717A0017	BUSHING - L=68
1	0717A0018	BUSHING - L=40
3	2403A0004	PLUG - D=25
4	0815A0134	ROD - H=87
4	0815A0226	ROD - H=67
5	0815A0133	ROD - H=100
5	0815A0227	ROD - H=75,5
6	0820A0230	PIN - H=90
6	0820A0391	PIN - H=68
8	0905A0800	SUPPORT
9	1419A0023	GASKET - H=3
10	0915A0014	PISTON
11	302913100	SNAP RING - I 11
12	3023A0230	DOWEL - 4X16 M6 EN 28734
13	1601A0029	FLANGE
14	1601A0021	FLANGE
15	310701600	GASKET
16	3102A0011	GASKET
17	311001800	RING - OR 2075
18	2801A0117	SPRING
19	292100100	BALL - ISO 30
20	1606A0041	SPACER - H=14
20	1606A0042	SPACER - H=38
21	311026700	SEAL RING
22	311403800	SEAL RING



- 1 0705A0071
- 2 0901A0174
- 3 0915A0012
- 4 0915A0030
- 5 292502400 - 0673-220-40 ..
- 6 0802A0030
- 7 311001300 - OR 114
- 8 311000400
- 10 311027000
- 11 3110A1892
- 12 0916A0087
- 13 2801A0016 - De=9,5 Di=7,5
- 14 0820A0323
- 15 2921A0043

E0256A02 - WORK TABLE LOCKING - ATS - 40190 - ROVER 22/24

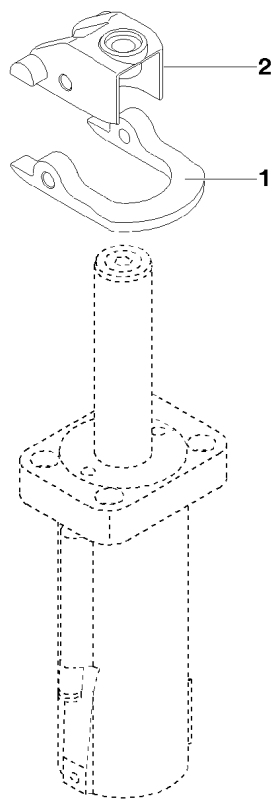
POSITION	DRAWING/COMPONENT	DESCRIPTION
1	0705A0071	SUPPORT
2	0901A0174	CYLINDER LINER
3	0915A0012	ROD
4	0915A0030	PISTON
5	292502400	BALL SLEEVE - 0673-220-40 STAR
6	0802A0030	GIB
7	311001300	SEAL RING - OR 114
8	311000400	RING
10	311027000	SEAL RING
11	3110A1892	SEAL RING
12	0916A0087	CYLINDER LINER
13	2801A0016	SPRING - DE=9,5 DI=7,5
14	0820A0323	PIN
15	2921A0043	BALL

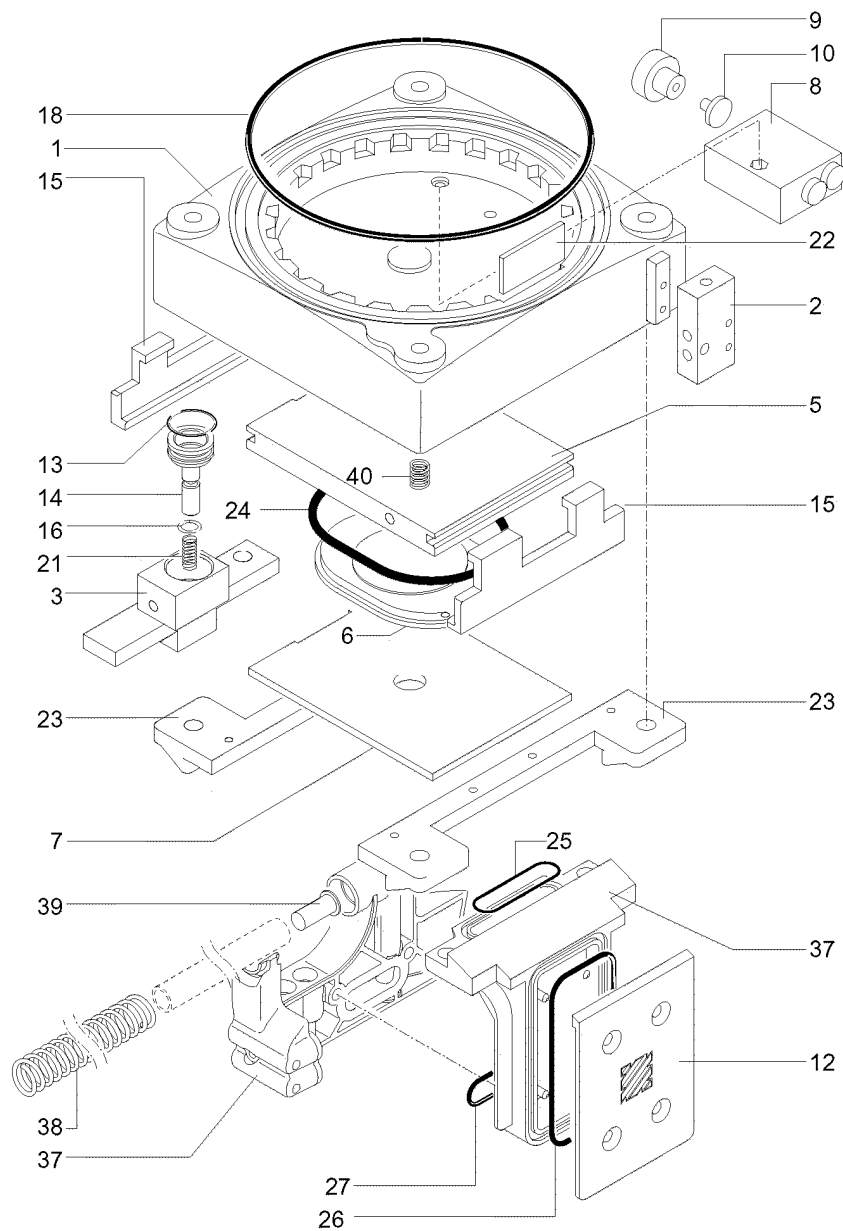


- 1 0705A0071
- 2 311000400
- 3 0915A0012
- 4 0915A0030
- 5 292502400 - 0673-220-40 ..
- 6 0802A0030
- 7 311001300 - OR 114
- 8 0916A0079
- 9 082035802
- 10 311027000
- 11 3110A1892
- 12 080121610
- 13 0814A1194
- 14 310701000 - PK 20
- 15 311401300 - GR 10-17-3
- 16 280106600 - C85 UNI 3823
- 18 241402200 - F=M5
- 19 0814A0909
- 20 0916A0087
- 21 0820A0323
- 22 2801A0016 - De=9,5 Di=7,5
- 24 0901A0174
- 25 2921A0043

E0257A03 - WORK TABLE LOCKING - ATS - 40190 - ROVER 22/24

POSITION	DRAWING/COMPONENT	DESCRIPTION
1	0705A0071	SUPPORT
2	311000400	RING
3	0915A0012	ROD
4	0915A0030	PISTON
5	292502400	BALL SLEEVE - 0673-220-40 STAR
6	0802A0030	GIB
7	311001300	SEAL RING - OR 114
8	0916A0079	CYLINDER LINER
9	082035802	PIN
10	311027000	SEAL RING
11	3110A1892	SEAL RING
12	080121610	PLUG
13	0814A1194	BLOCK
14	310701000	GASKET - PK 20
15	311401300	RING - GR 10-17-3
16	280106600	SPRING - C85 UNI 3823
18	241402200	FLOW REGULATOR - F=M5
19	0814A0909	PLATE
20	0916A0087	CYLINDER LINER
21	0820A0323	PIN
22	2801A0016	SPRING - DE=9,5 DI=7,5
24	0901A0174	CYLINDER LINER
25	2921A0043	BALL



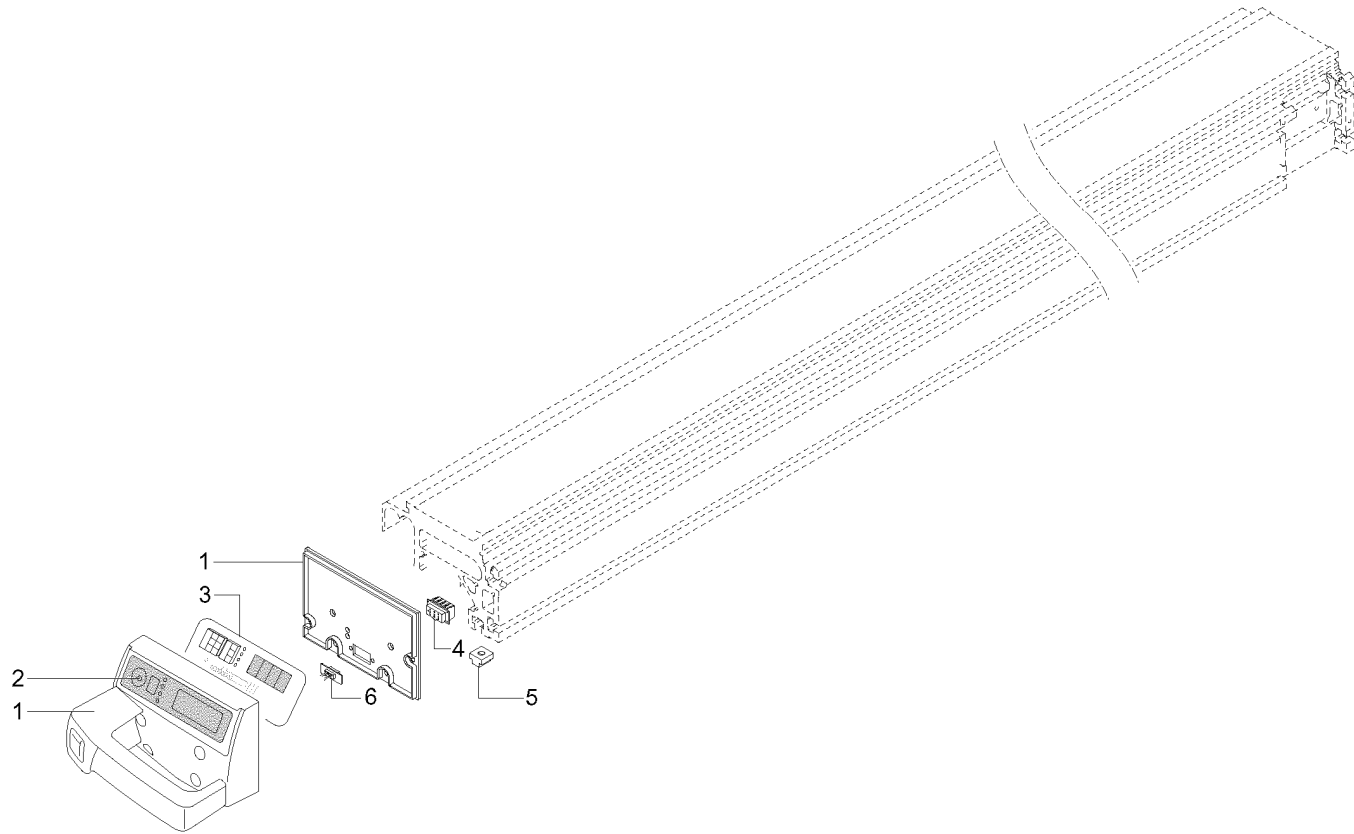


1	1705A0111
2	230404200
3	0916A0044
5	0816A0009
6	0915A0010
7	0814A0682
8	2413A0018 - 3/2
9	242800700
10	242800800
12	0908A0283
15	0914A0461
18	1419A0041
22	2422A0057
23	1711A0006
24	3110A0009
25	311029200
26	1419A0032
27	311002000 - OR 2087
37	E0239A01
38	2802A0053 - L=650
39	0817A0168
40	2801A0016 - De=9,5 Di=7,5

E0259A02 - SHAPEABLE SUCTION CUP - 40190 - ROVER 22/24

POSITION	DRAWING/COMPONENT	DESCRIPTION
1	1705A0111	JIG
2	230404200	DISTRIBUTOR
3	0916A0044	CYLINDER LINER
5	0816A0009	CYLINDER LINER
6	0915A0010	PISTON
7	0814A0682	PLATE
8	2413A0018	VALVE - 3/2
9	242800700	PUSH BUTTON
10	242800800	WASHER
12	0908A0283	COVER
15	0914A0461	BRACKET
18	1419A0041	GASKET
22	2422A0057	FILTER
23	1711A0006	GUIDE ASSEMBLY
24	3110A0009	SEAL RING
25	311029200	SEAL RING
26	1419A0032	GASKET
27	311002000	RING - OR 2087
37	E0239A01	DISTRIBUTOR
38	2802A0053	SPRING - L=650
39	0817A0168	BUSHING
40	2801A0016	SPRING - DE=9,5 DI=7,5

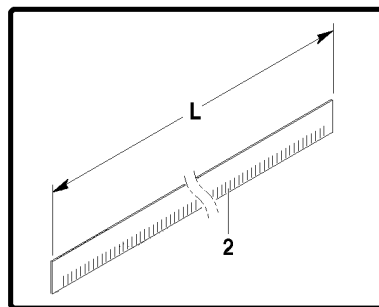
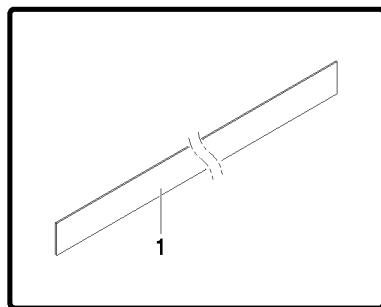
1 6424A0007



E0270A02 - HANDLE - 40190 - ROVER 22/24

POSITION	DRAWING/COMPONENT	DESCRIPTION
1	6424A0007	HANDLE

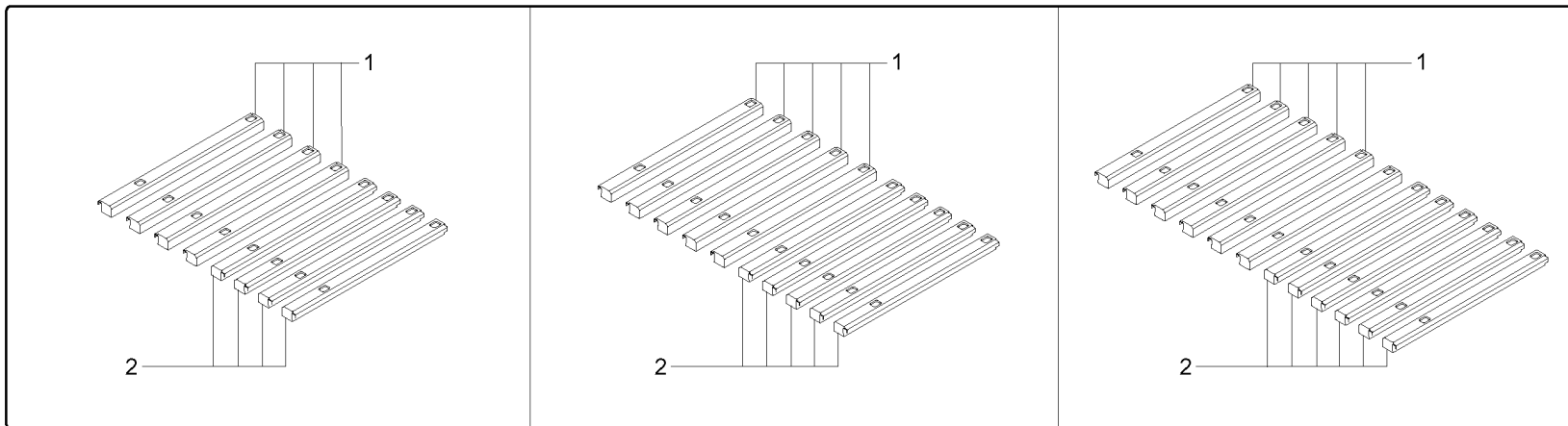
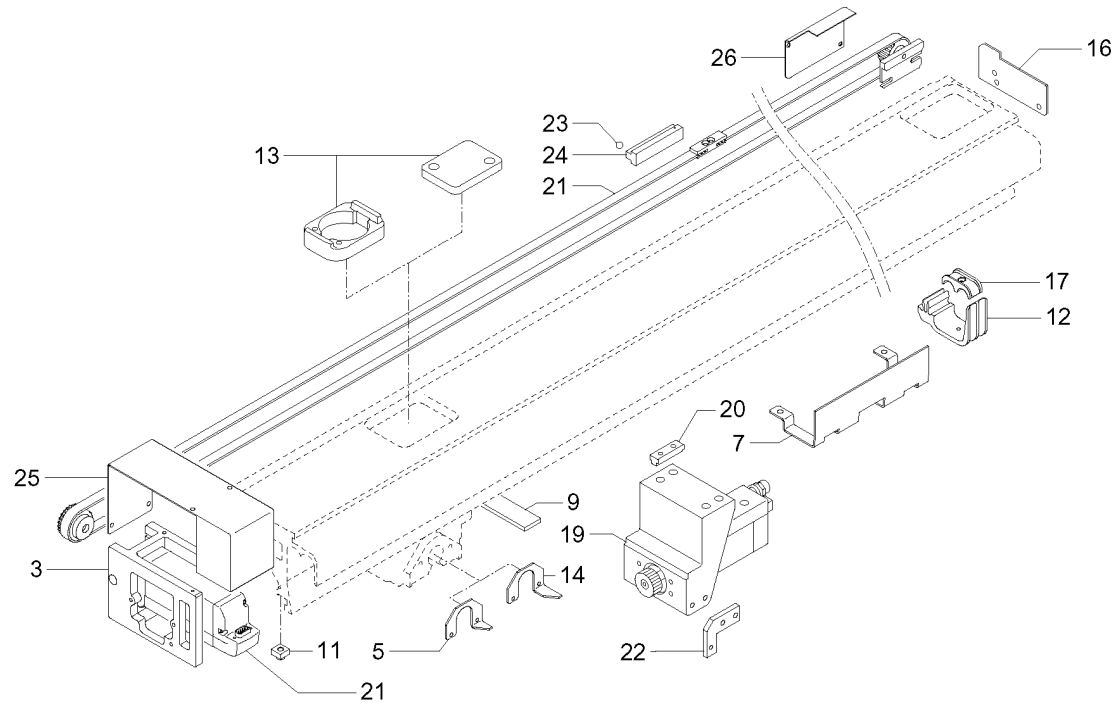
- 1 1426A0015
- 2 1426A0012 - L=800
- 2 1426A0013 - L=1600



E0273A00 - MILLIMETRE RULE - 40190 - ROVER 22/24

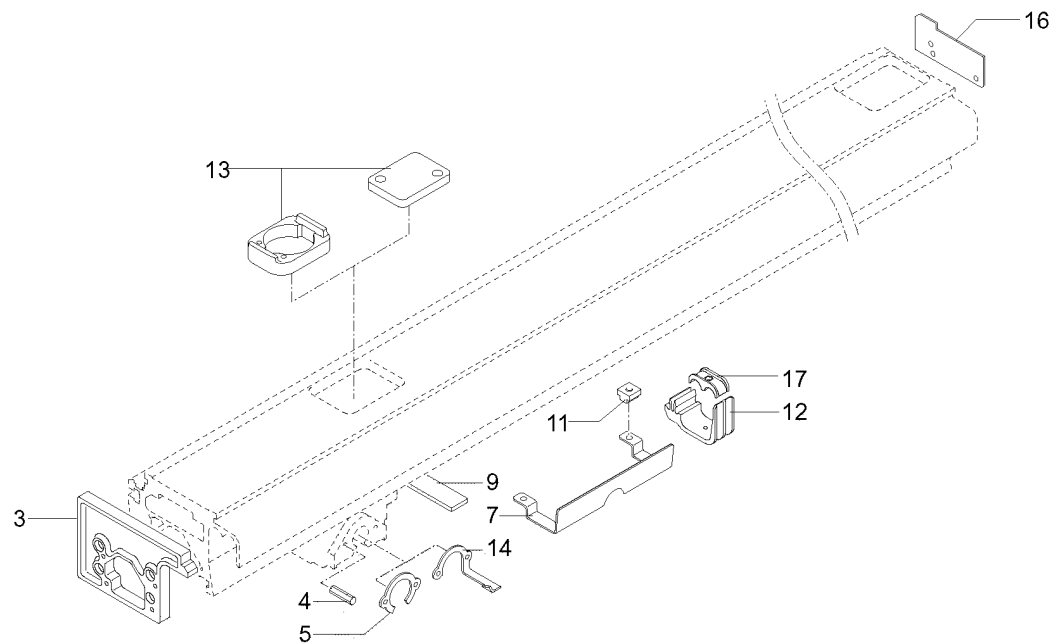
POSITION	DRAWING/COMPONENT	DESCRIPTION
1	1426A0015	MILLIMETRE RULE
2	1426A0012	MILLIMETRE RULE - L=800
2	1426A0013	MILLIMETRE RULE - L=1600

13 E0280A00
 19 M0183A01
 21 M0184A00

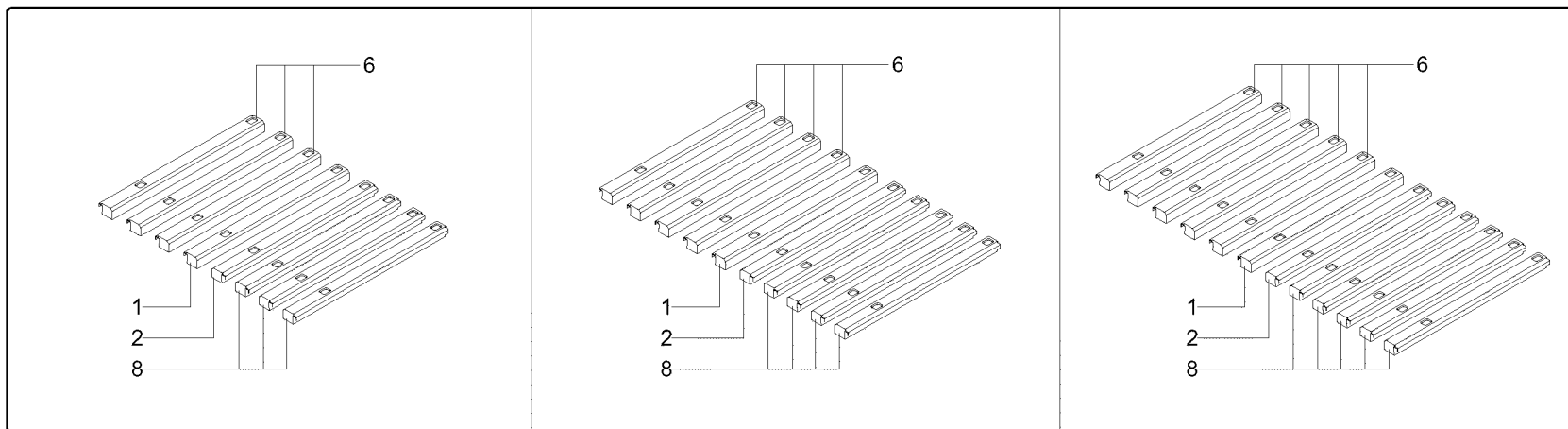


E0278A01 - WORK TABLE - EPS - 40190 - ROVER 22/24

POSITION	DRAWING/COMPONENT	DESCRIPTION
13	E0280A00	PLUG
19	M0183A01	MOTOR UNIT
21	M0184A00	DRIVE UNIT



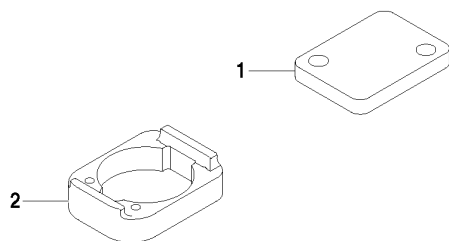
- 1 0905A1082 - L=1330
- 2 0905A1081 - L=1330
- 3 0906A0086
- 4 0806A0424 - H=36
- 5 1226A0004V
- 6 0905A1080 - L=1330
- 7 1205A1201
- 8 0905A1079 - L=1330
- 9 1214A0438
- 11 0804A0038
- 12 1405A0036
- 13 E0280A00
- 14 1226A0007V - SX
- 16 1208A1083 - ATS-EPS
- 17 1414A0223



E0279A01 - WORK TABLE - ATS - 40190 - ROVER 22/24

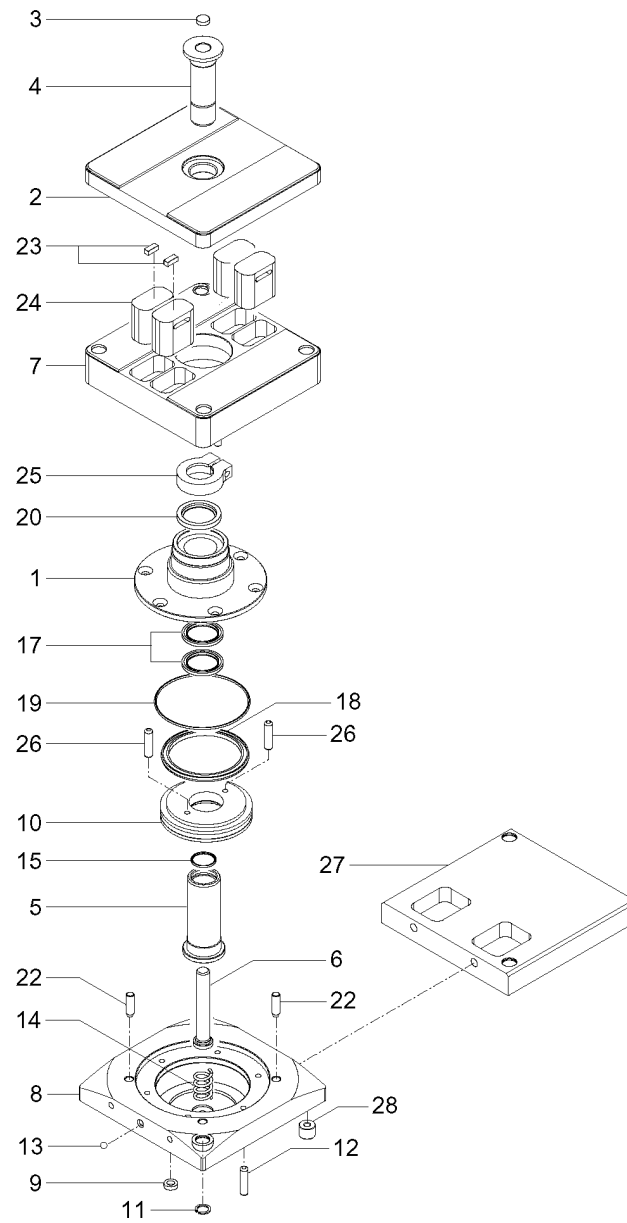
POSITION	DRAWING/COMPONENT	DESCRIPTION
1	0905A1082	SUPPORT - L=1330
2	0905A1081	SUPPORT - L=1330
3	0906A0086	SPACER
4	0806A0424	SPACER - H=36
5	1226A0004V	NONIUS
6	0905A1080	SUPPORT - L=1330
7	1205A1201	SUPPORT
8	0905A1079	SUPPORT - L=1330
9	1214A0438	SUPPORT
11	0804A0038	NUT
12	1405A0036	SUPPORT
13	E0280A00	PLUG
14	1226A0007V	NONIUS - SX
16	1208A1083	COVER - ATS-EPS
17	1414A0223	BRACKET

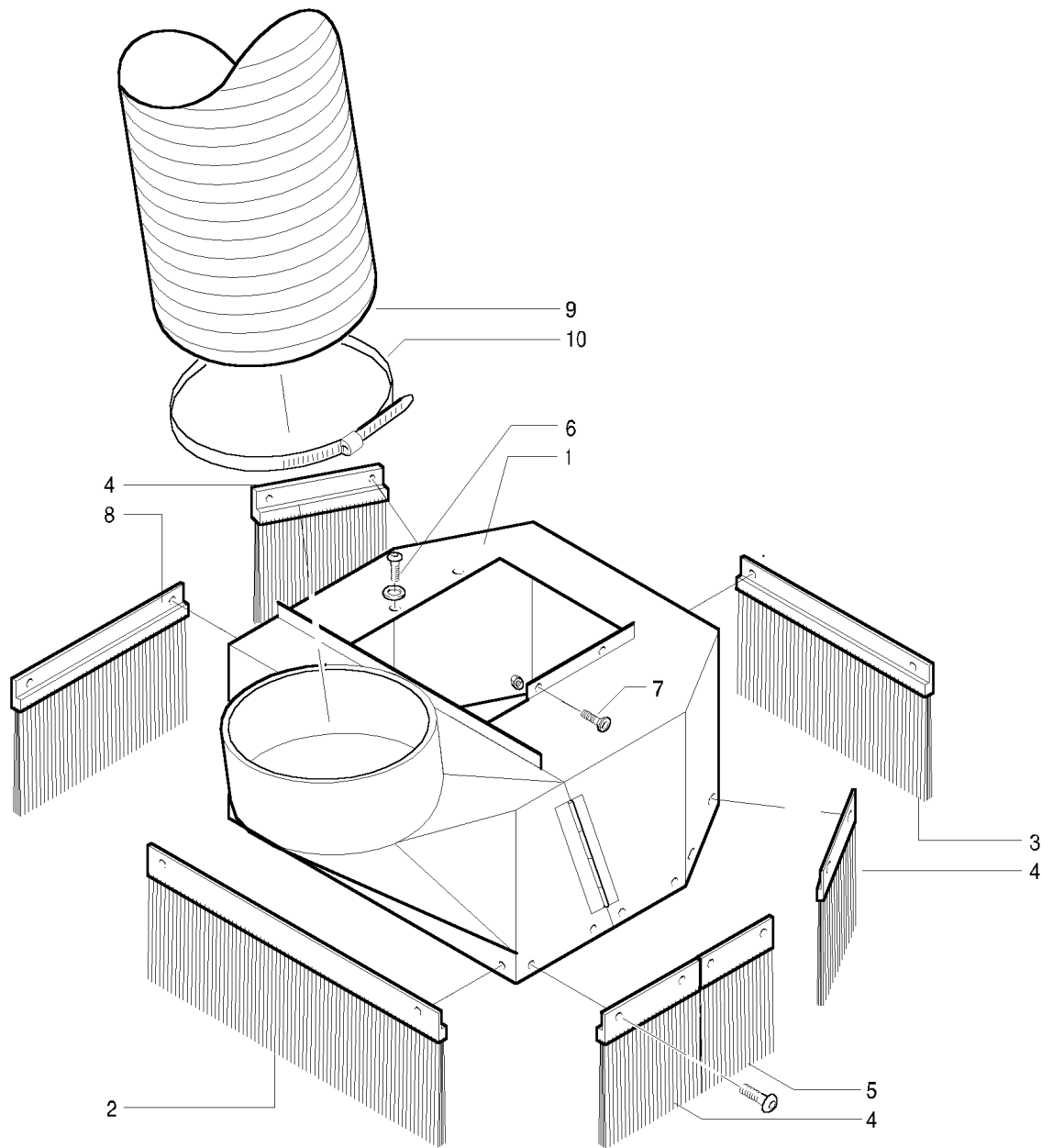
1 1401A0049
2 0914A0470

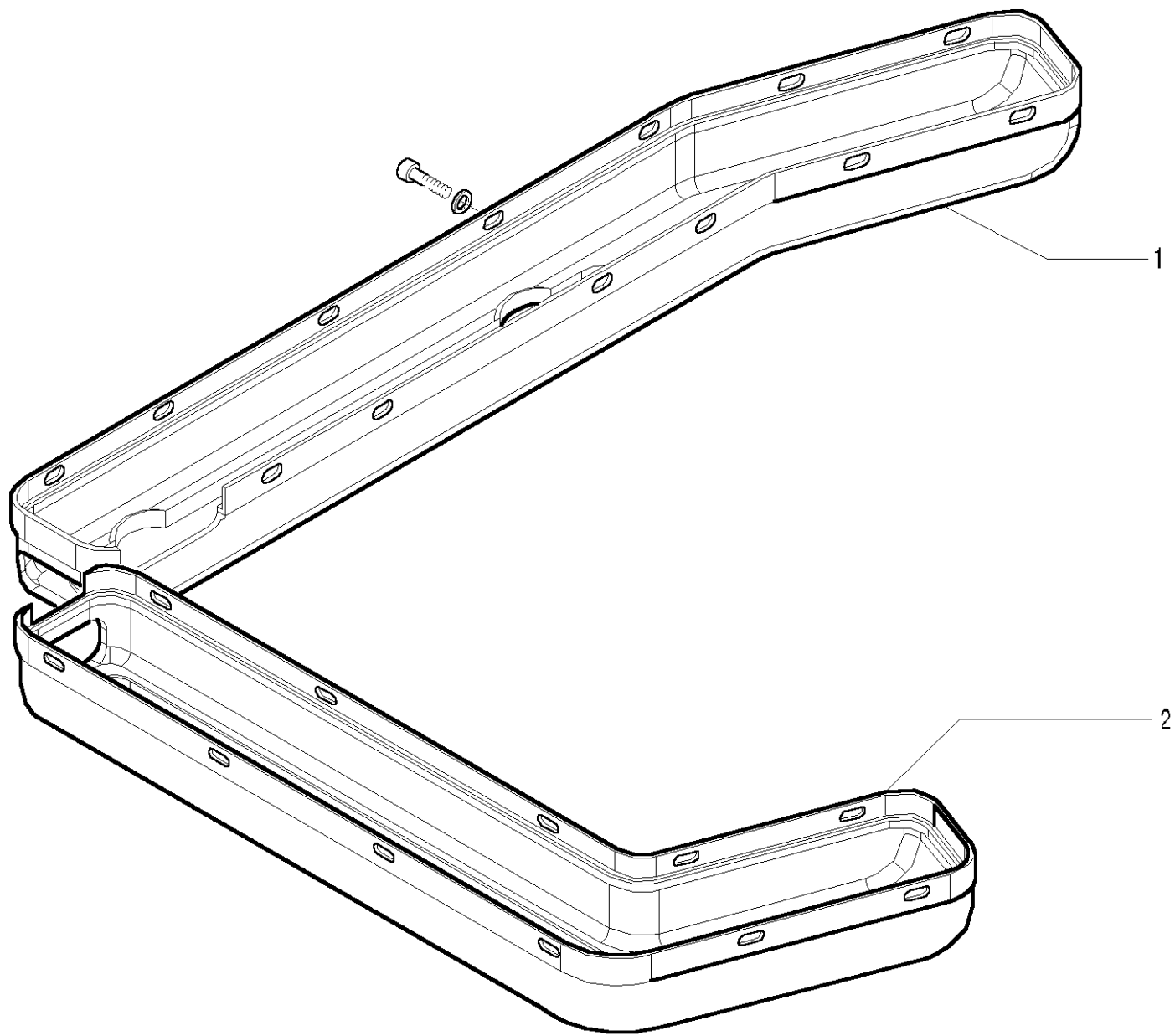


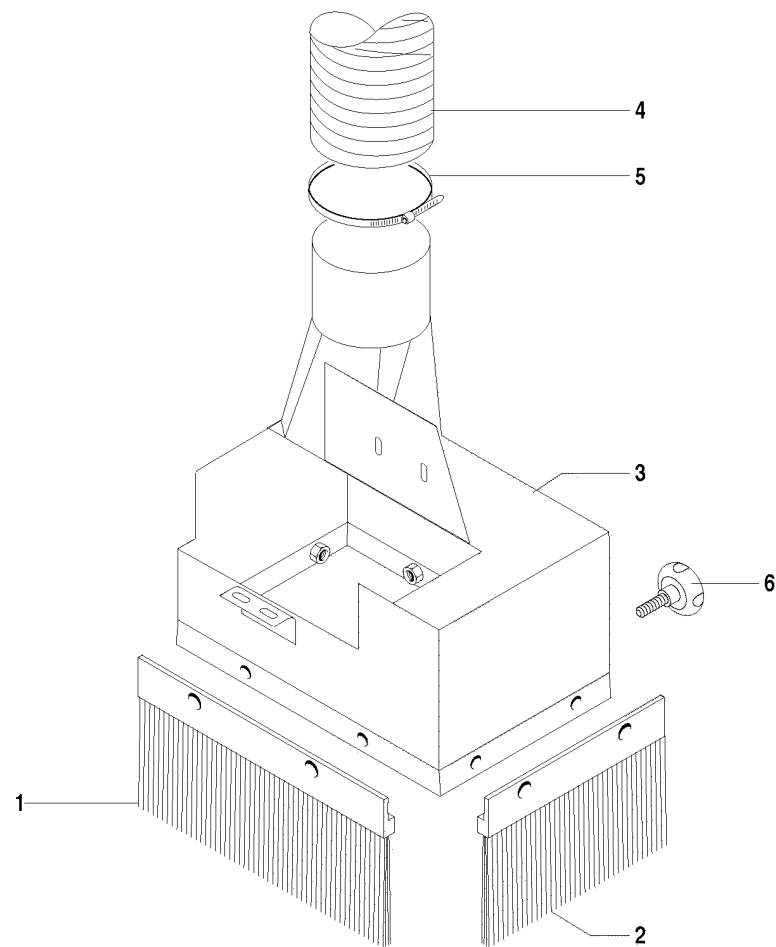
E0280A00 - PLUG - 40190 - ROVER 22/24

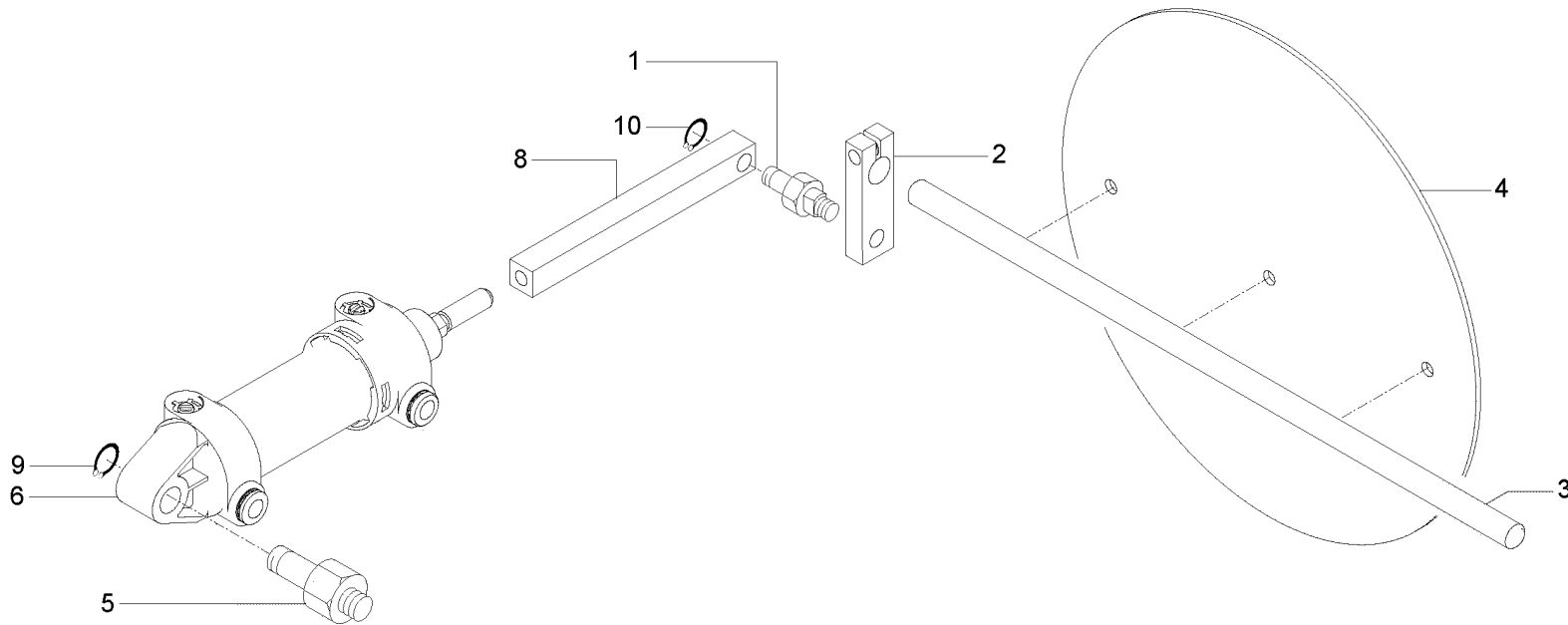
POSITION	DRAWING/COMPONENT	DESCRIPTION
1	1401A0049	PLUG
2	0914A0470	PLATE







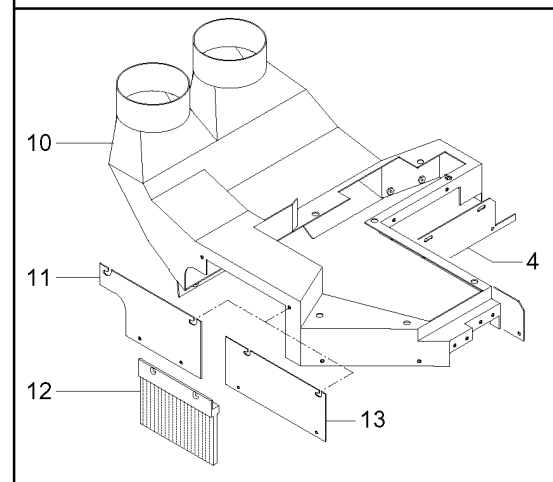
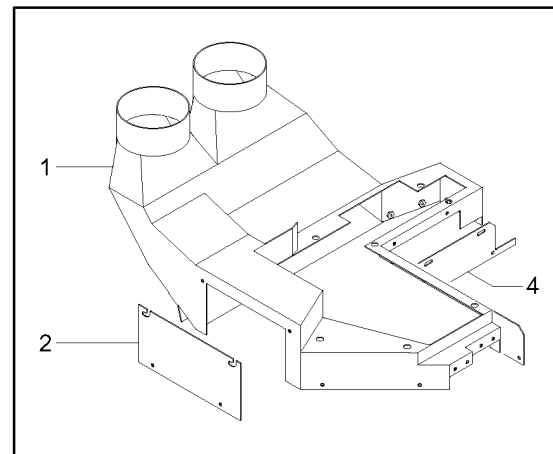
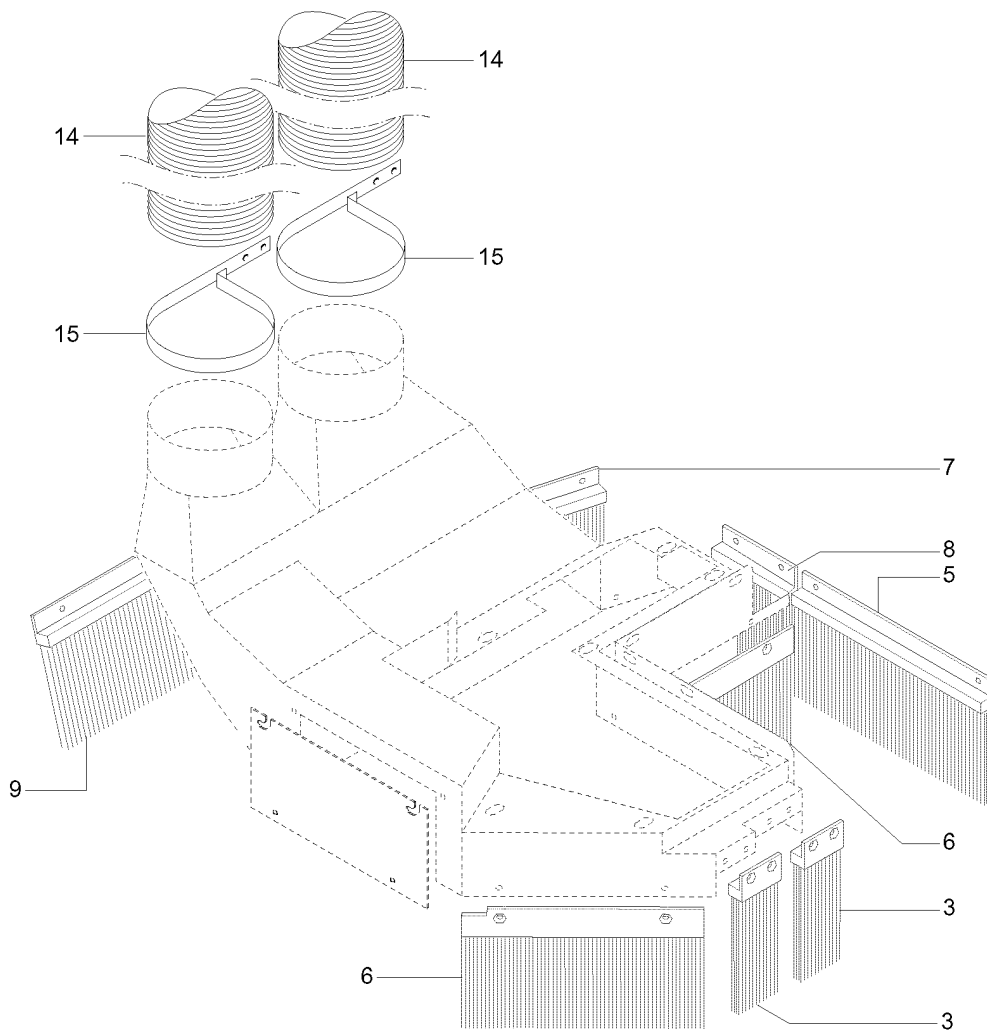




- 1 0820A0350
- 2 0824A0056
- 3 0814A1260 - L=200
- 3 0814A1262 - L=250
- 4 1224A0017 - D=150
- 4 1224A0019 - D=200
- 5 082030700
- 6 1415A0009
- 8 0814A1266 - L=80mm
- 9 302900300 - E 6
- 10 302900200 - E 5

G0087A03 - SUCTION - 40190 - ROVER 22/24

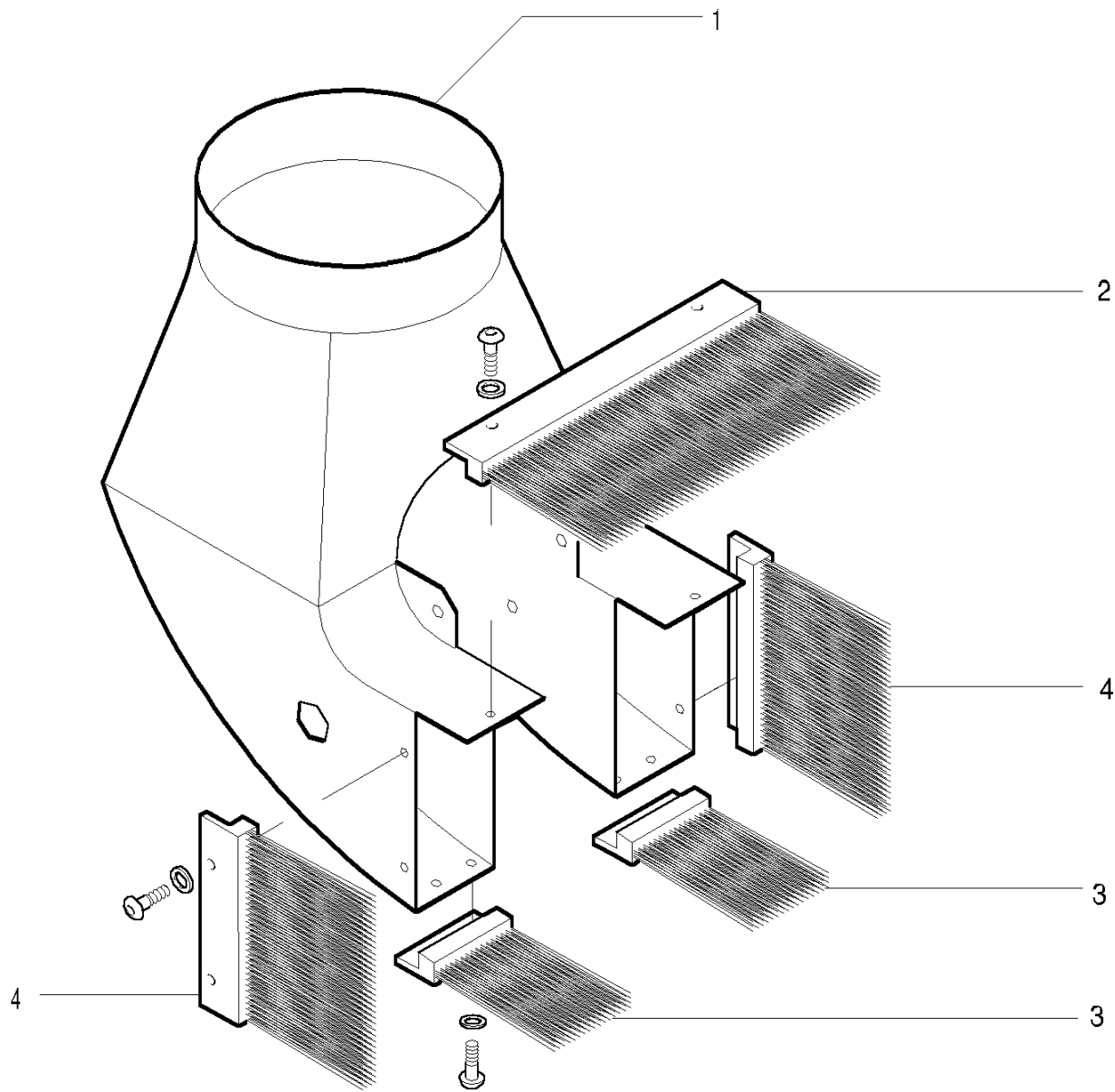
POSITION	DRAWING/COMPONENT	DESCRIPTION
1	0820A0350	PIN
2	0824A0056	LEVER
3	0814A1260	BAR - L=200
3	0814A1262	BAR - L=250
4	1224A0017	PLATE - D=150
4	1224A0019	PLATE - D=200
5	082030700	PIN
6	1415A0009	CYLINDER
8	0814A1266	BLOCK - L=80MM
9	302900300	SNAP RING - E 6
10	302900200	SNAP RING - E 5

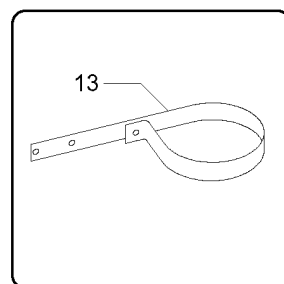
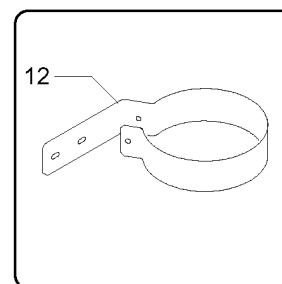
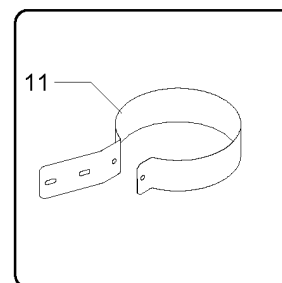
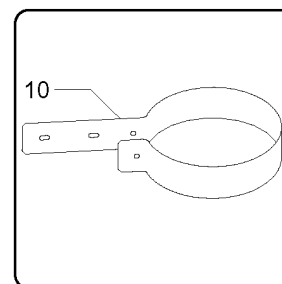
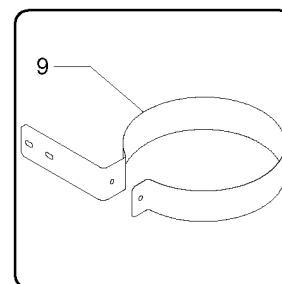
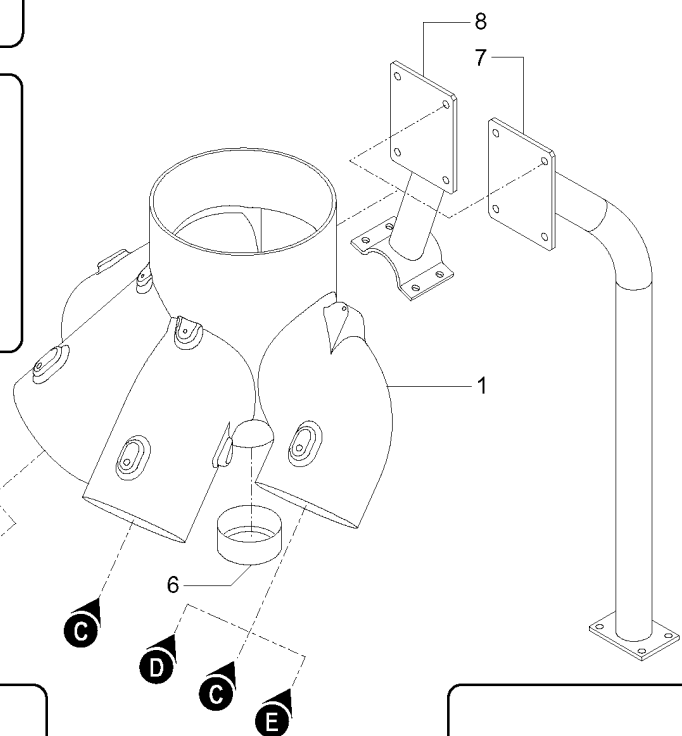
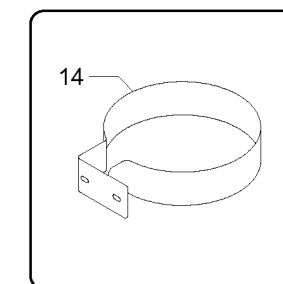
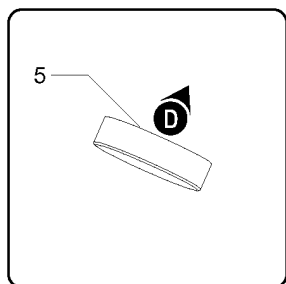
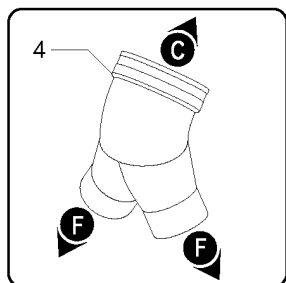
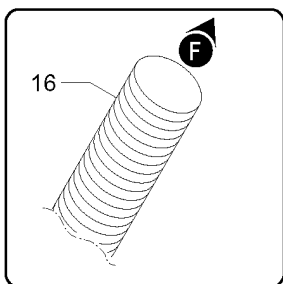
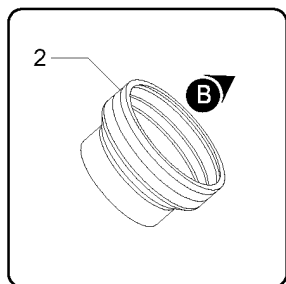
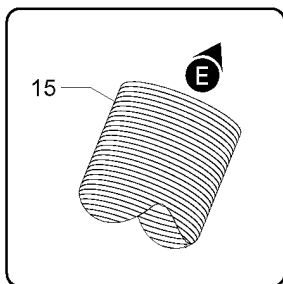
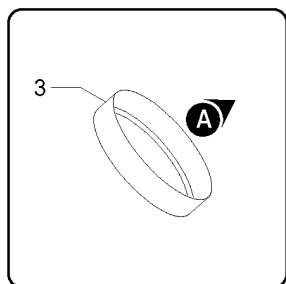


- 1 1212A0502V
- 2 1208A0941V
- 3 1432A0203
- 4 1208A1002V
- 5 1432A0205
- 6 1432A0206
- 7 1432A0207
- 8 1432A0208
- 9 1432A0209
- 14 2002A0007 - D=100
- 15 201500900 - 92/112 14 SE..

G0092A01 - SUCTION - 40190 - ROVER 22/24

POSITION	DRAWING/COMPONENT	DESCRIPTION
1	1212A0502V	SUCTION BOX
2	1208A0941V	CASING
3	1432A0203	BRUSH
4	1208A1002V	CASING
5	1432A0205	BRUSH
6	1432A0206	BRUSH
7	1432A0207	BRUSH
8	1432A0208	BRUSH
9	1432A0209	BRUSH
14	2002A0007	PIPE - D=100
15	201500900	HOSE CLAMP - 92/112 14 SERFLEX

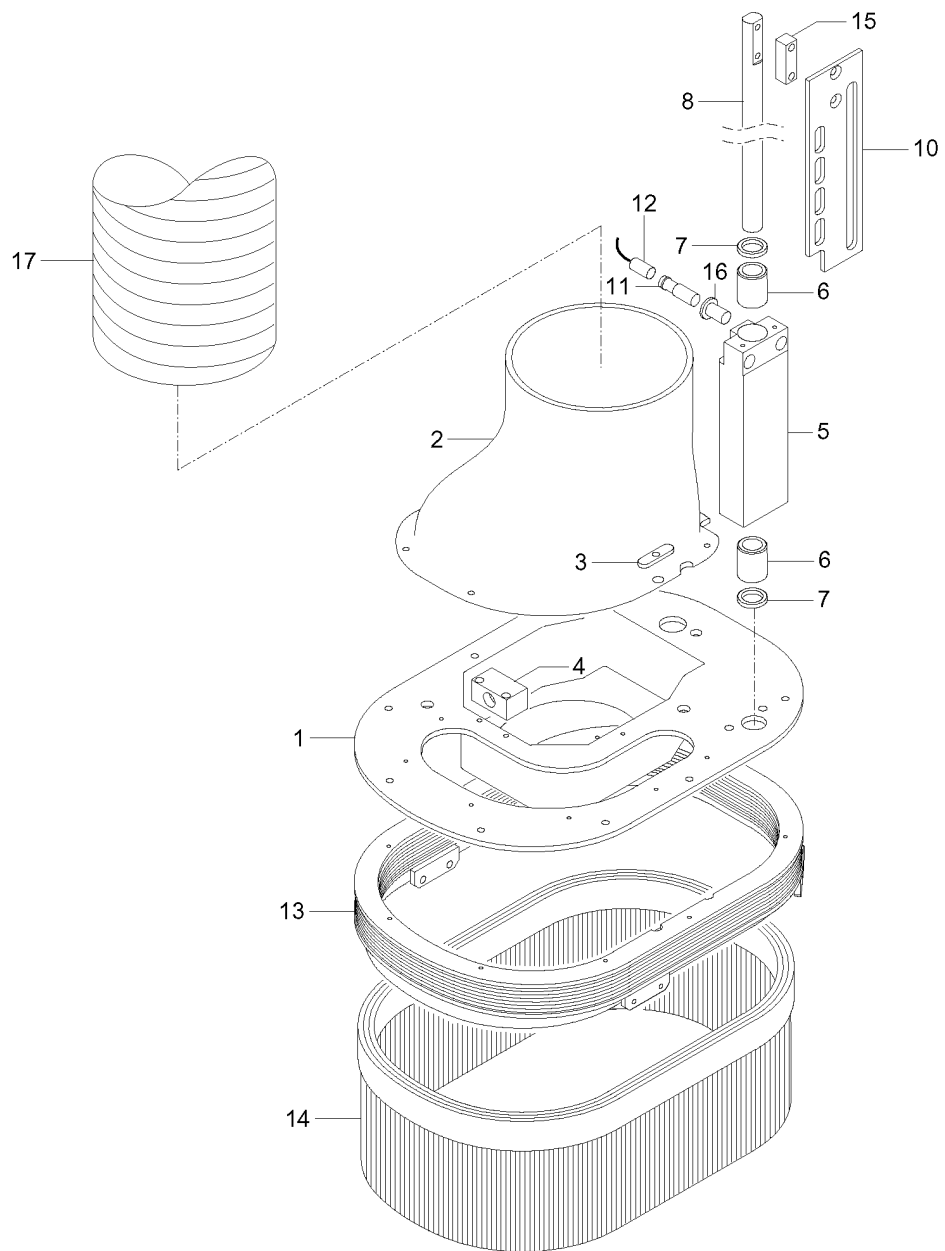


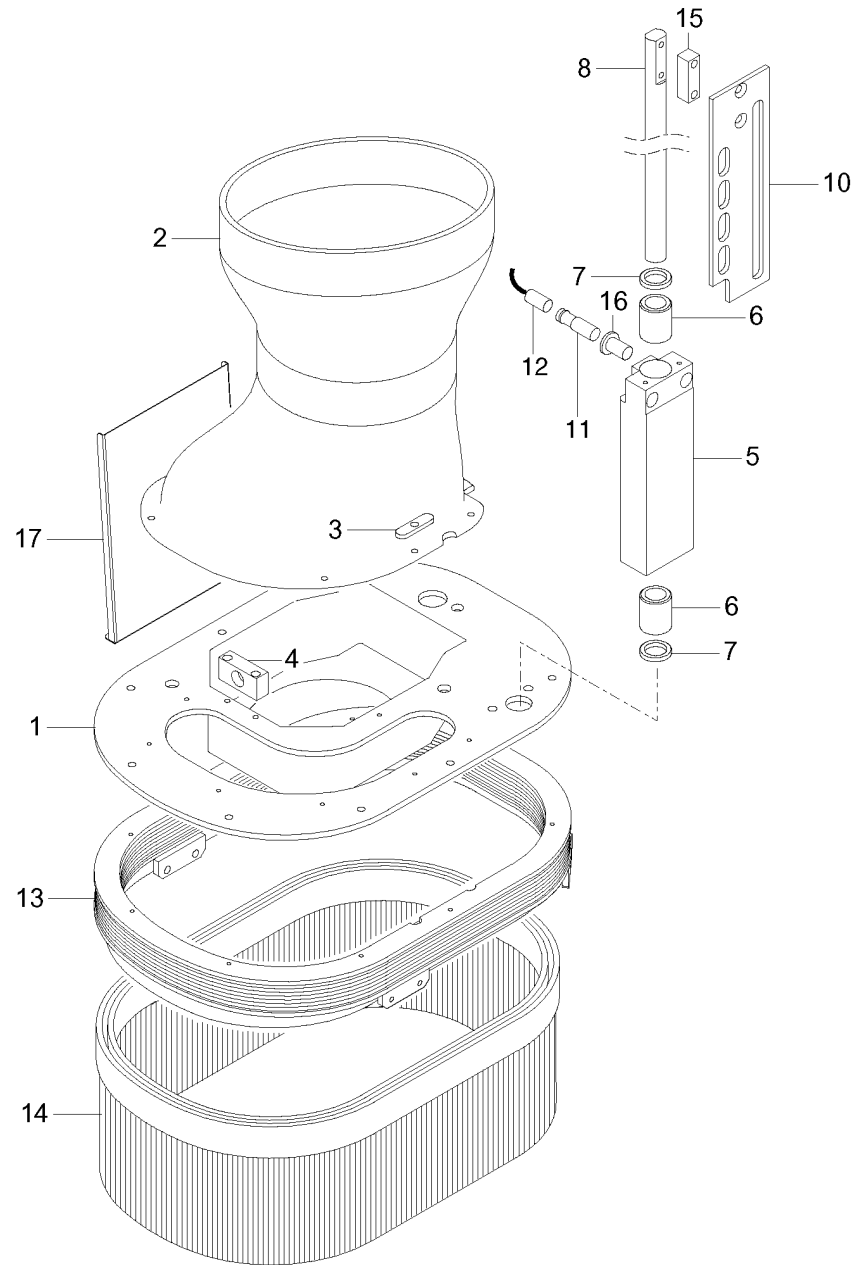


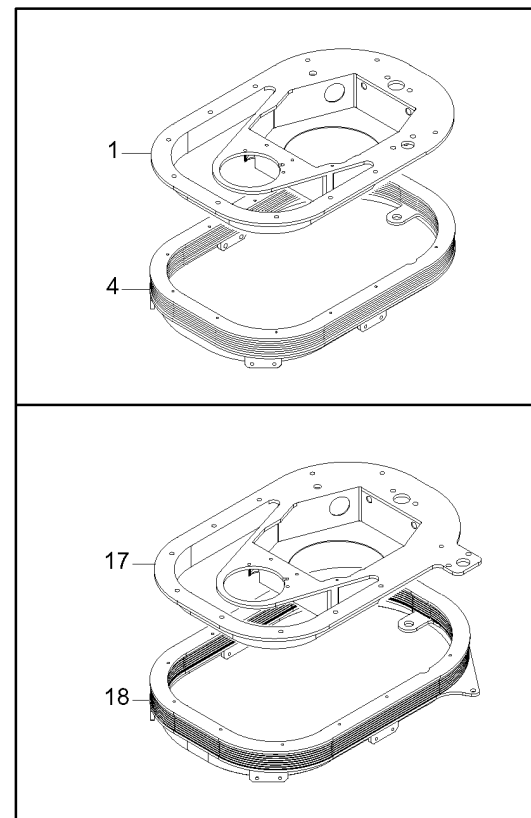
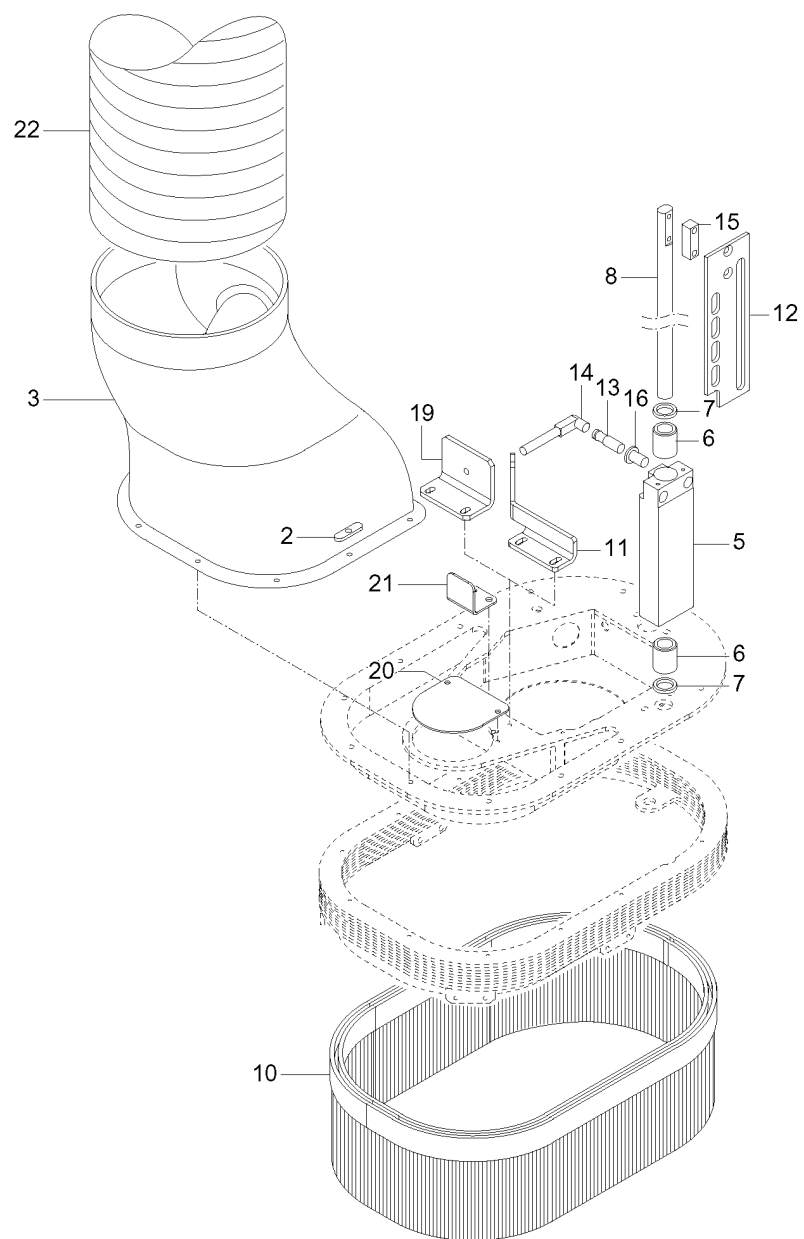
- 1 1412A0031
- 3 1401A0051
- 4 1412A0032
- 5 1401A0052
- 6 1401A0053
- 7 1205A1006V
- 9 1214A0646 - D=200

G0110A02 - SUCTION - 40190 - ROVER 22/24

POSITION	DRAWING/COMPONENT	DESCRIPTION
1	1412A0031	SUCTION MANIFOLD
3	1401A0051	PLUG
4	1412A0032	SUCTION MANIFOLD
5	1401A0052	PLUG
6	1401A0053	PLUG
7	1205A1006V	SUPPORT
9	1214A0646	BRACKET - D=200



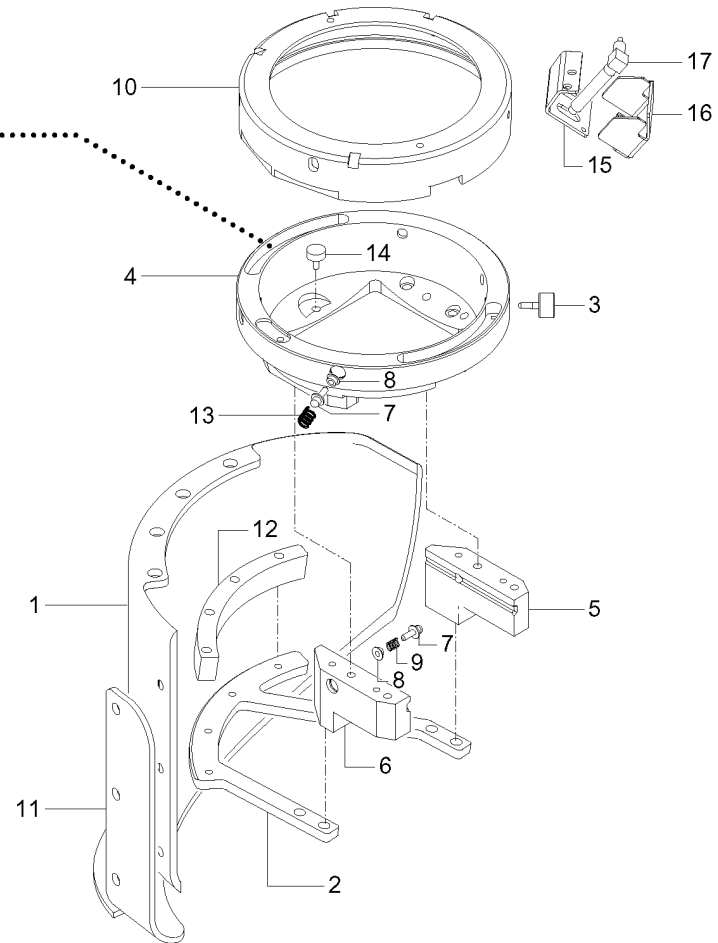
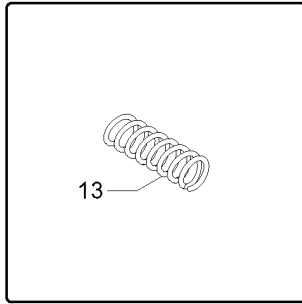


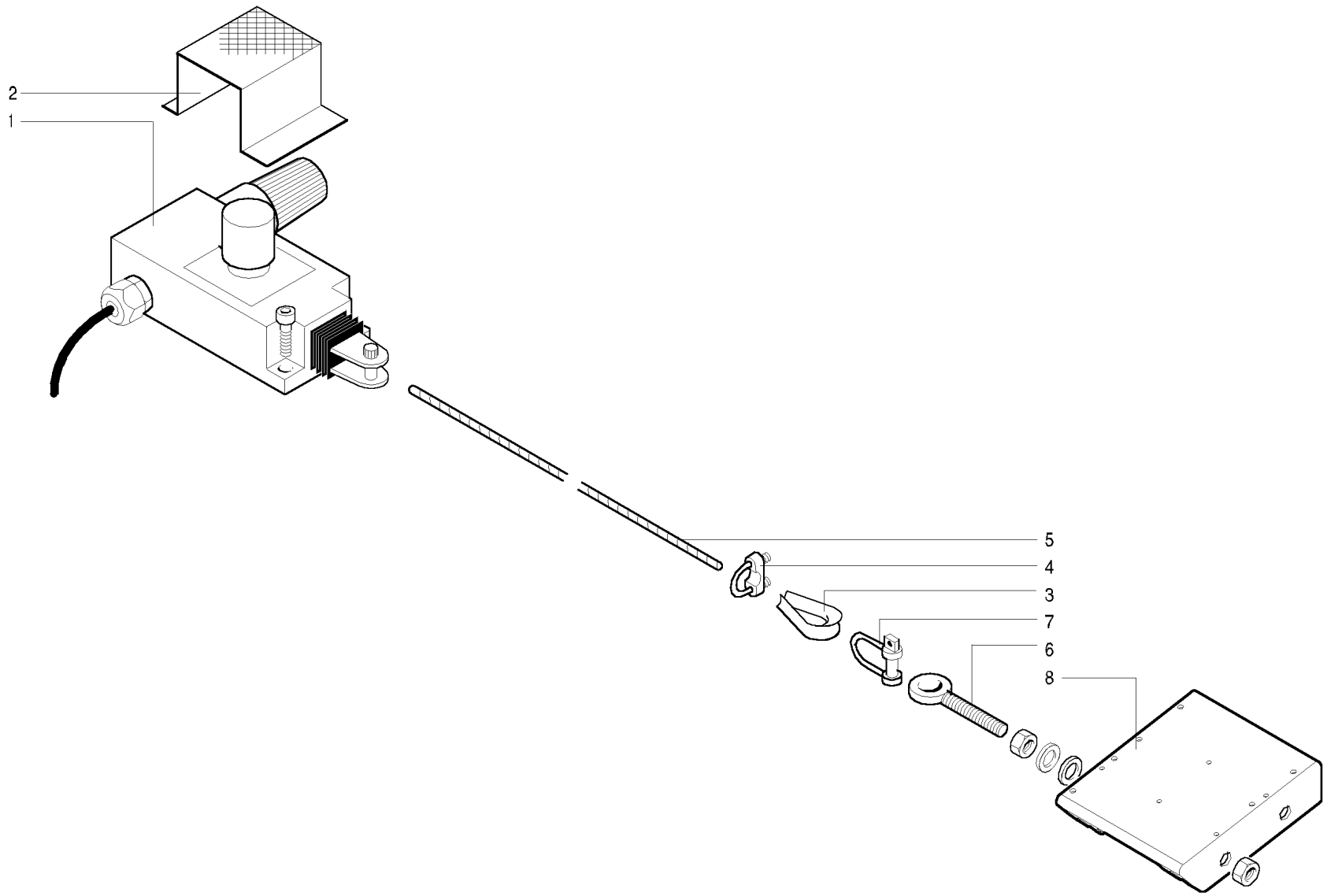


- | | |
|----|----------------------------|
| 1 | 1214A0619V |
| 2 | 0814A1104 |
| 3 | 1412A0046 |
| 4 | 1608A0032V |
| 5 | 0914A0619 - L=170 |
| 6 | 292501700 - 0658-216-40 .. |
| 7 | 3120A0013 |
| 8 | 0814A1101 - D=16 L=394 |
| 10 | 1432A0296 - L=1167 |
| 12 | 1214A0626 - L=176 |
| 13 | 2164A0355 |
| 15 | 0806A0444 |
| 16 | 1417A0021 |
| 19 | 1205A1003 |
| 20 | 1208A1473 |
| 21 | 1208A1478 |
| 22 | 2002A0010 |

G0124A02 - SUCTION MANIFOLD - 40190 - ROVER 22/24

POSITION	DRAWING/COMPONENT	DESCRIPTION
1	1214A0619V	PLATE
2	0814A1104	WASHER
3	1412A0046	SUCTION MANIFOLD
4	1608A0032V	BELLOWS
5	0914A0619	BLOCK - L=170
6	292501700	BALL SLEEVE - 0658-216-40 STAR
7	3120A0013	GASKET
8	0814A1101	BAR - D=16 L=394
10	1432A0296	BRUSH - L=1167
12	1214A0626	PLATE - L=176
13	2164A0355	SENSOR
15	0806A0444	SPACER
16	1417A0021	BUSHING
19	1205A1003	PLATE
20	1208A1473	COVER
21	1208A1478	COVER
22	2002A0010	FLEXIBLE PIPE

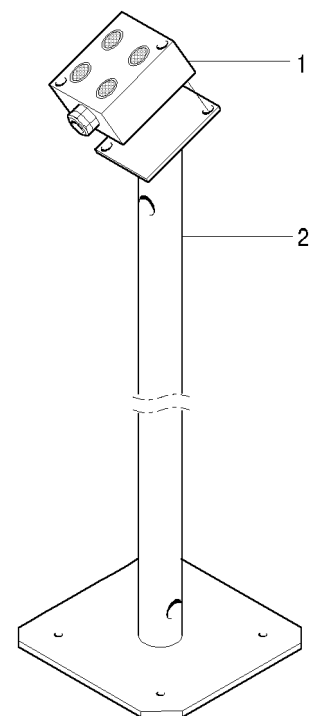
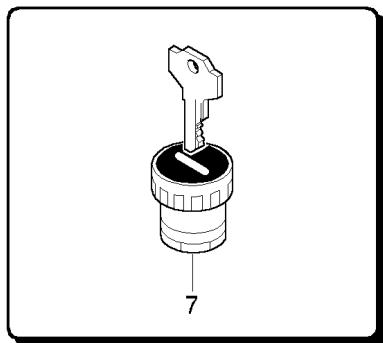
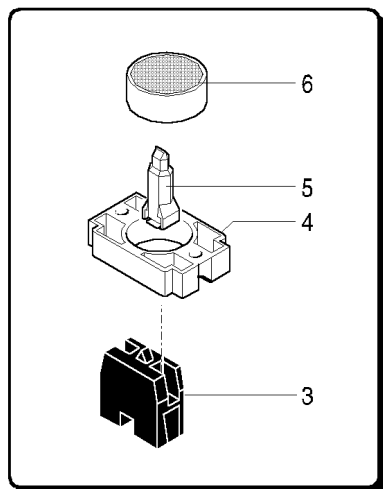
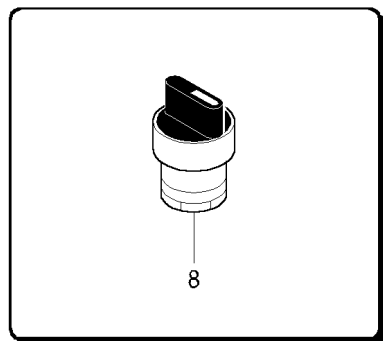




- 1 2104A0010 - XY2 CH 133..
- 2 1208A1186V
- 3 200800100
- 4 200901200
- 5 271500700
- 6 2007A0001 - M8X40 UNI 6..
- 7 200900100
- 8 1205A0844V

H0003A04 - EMERGENCY DEVICE - 40190 - ROVER 22/24

POSITION	DRAWING/COMPONENT	DESCRIPTION
1	2104A0010	LIMIT SWITCH - XY2 CH 13353
2	1208A1186V	COVER
3	200800100	THIMBLE
4	200901200	TERMINAL
5	271500700	EMERGENCY CORD
6	2007A0001	TIGHTENER - M8X40 UNI 6058
7	200900100	U-BOLTS
8	1205A0844V	SUPPORT

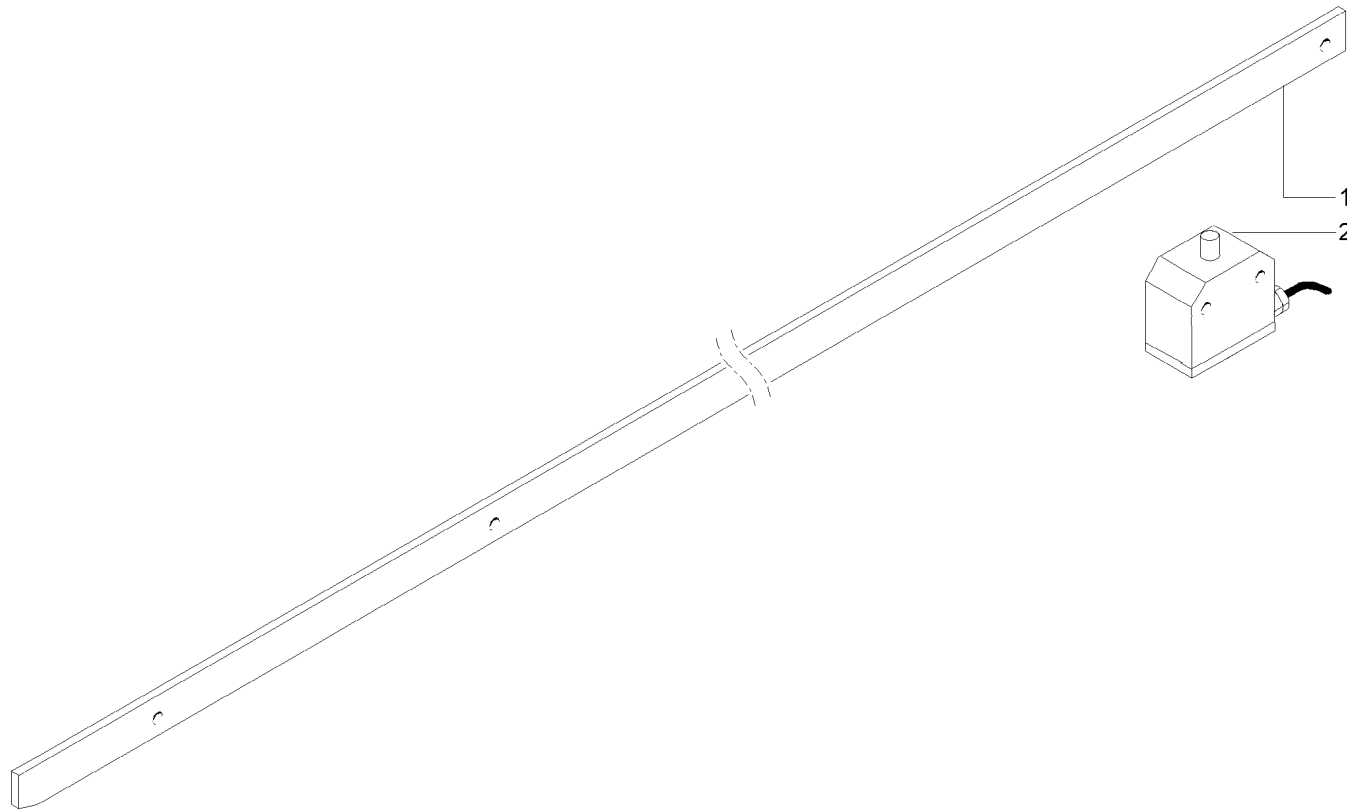


- 1 2165A0001
- 2 1205A0838V
- 3 2123A0065 - ZBE101
- 4 2123A0083 - ZB4-BZ009
- 5 2119A0002 - ZBVB3 24V
- 6 2118A0103 - ZB4BW333
- 7 2106A0093 - ZB4-BG4

H0141A03 - BUTTON PAD - 40190 - ROVER 22/24

POSITION	DRAWING/COMPONENT	DESCRIPTION
1	2165A0001	CONNECTOR BLOCK
2	1205A0838V	SUPPORT
3	2123A0065	CONTACT - ZBE101
4	2123A0083	BASE - ZB4-BZ009
5	2119A0002	LAMP - ZBVB3 24V
6	2118A0103	PUSH BUTTON - ZB4BW333
7	2106A0093	SELECTOR - ZB4-BG4

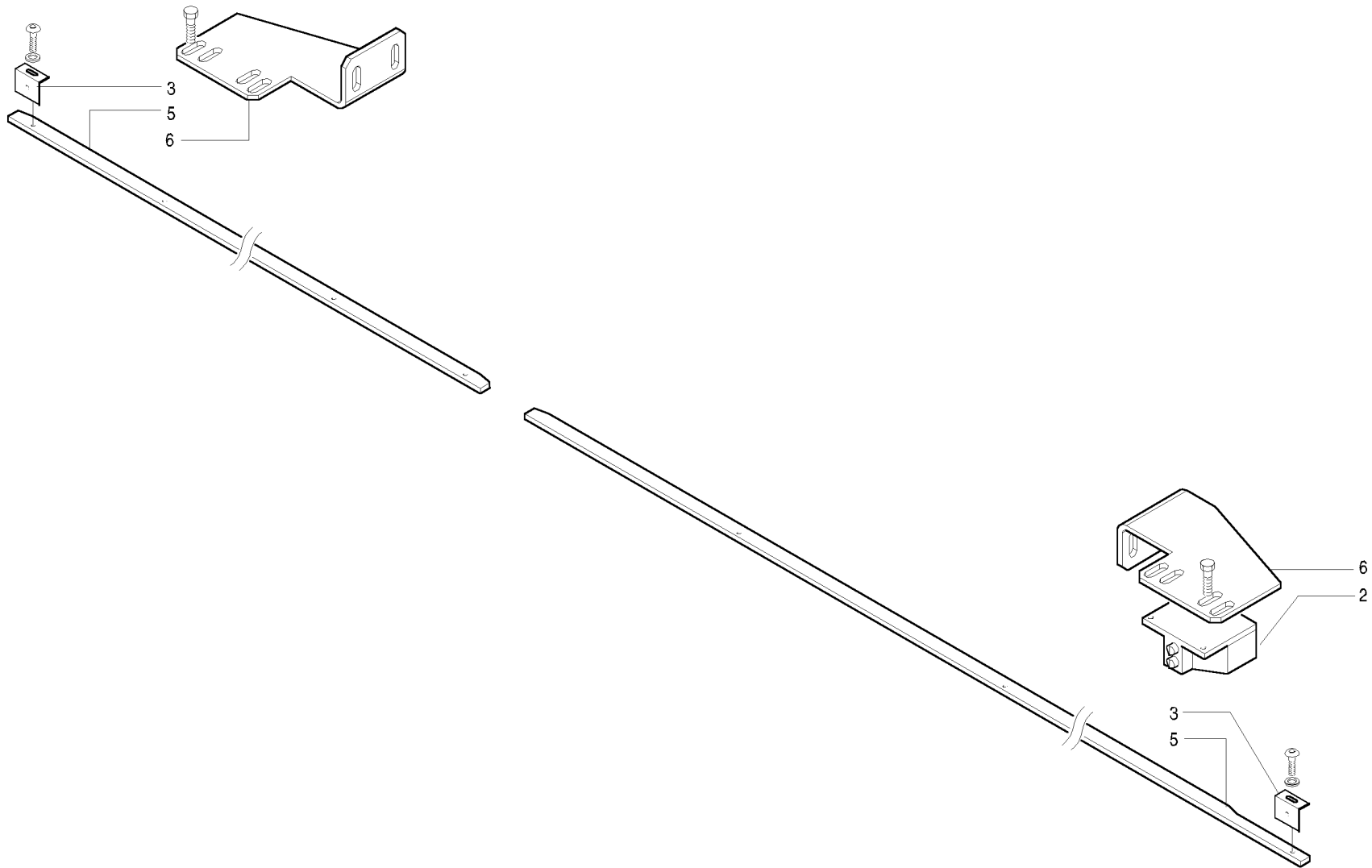
2 H0249A01



H0153A02 - LIMIT SWITCH - 40190 - ROVER 22/24

POSITION	DRAWING/COMPONENT	DESCRIPTION
2	H0249A01	SAFETY LIMIT SWITCH

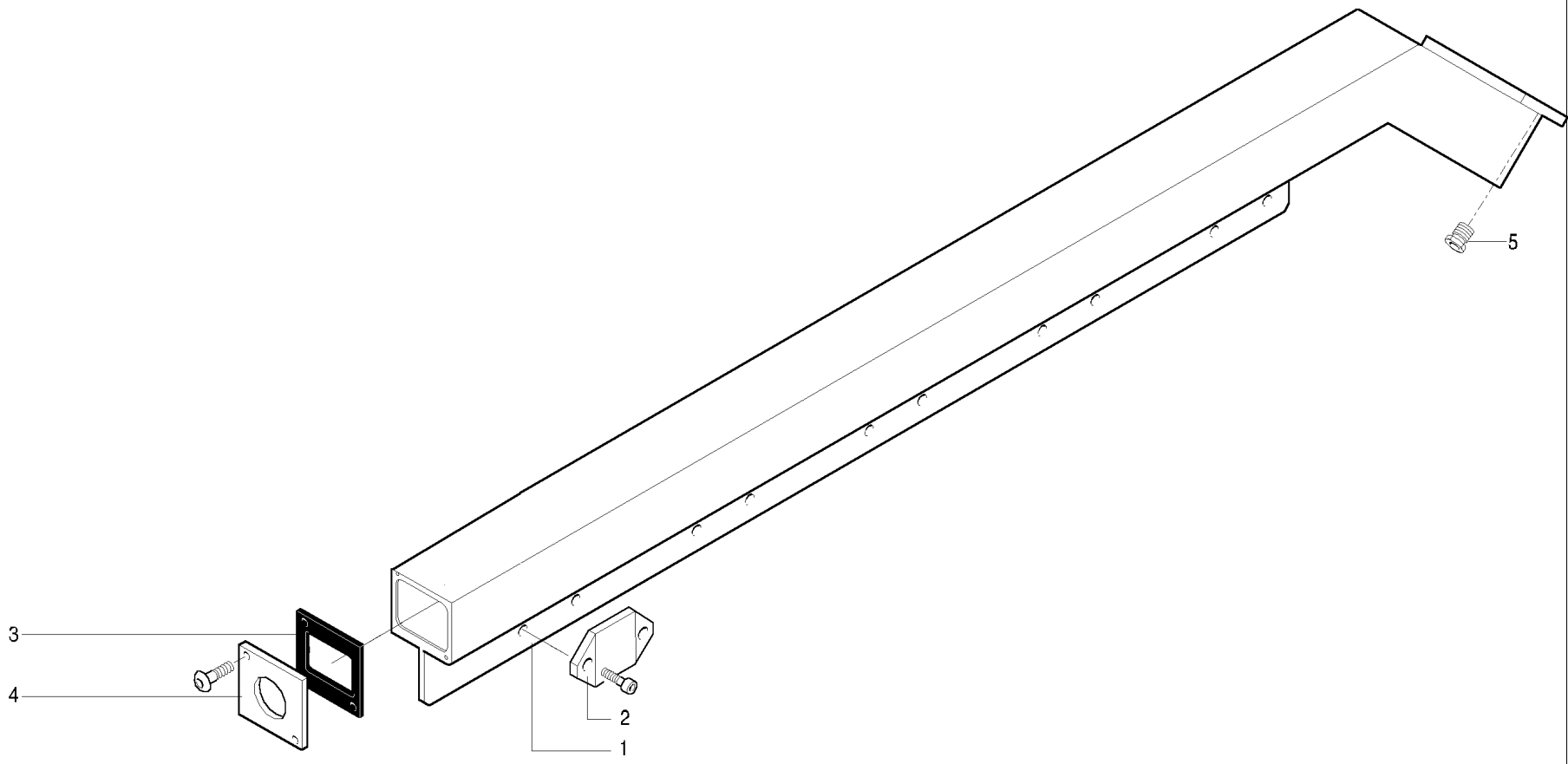
2 H0249A01



H0157A01 - SAFETY LIMIT SWITCH - 40190 - ROVER 22/24

POSITION	DRAWING/COMPONENT	DESCRIPTION
2	H0249A01	SAFETY LIMIT SWITCH

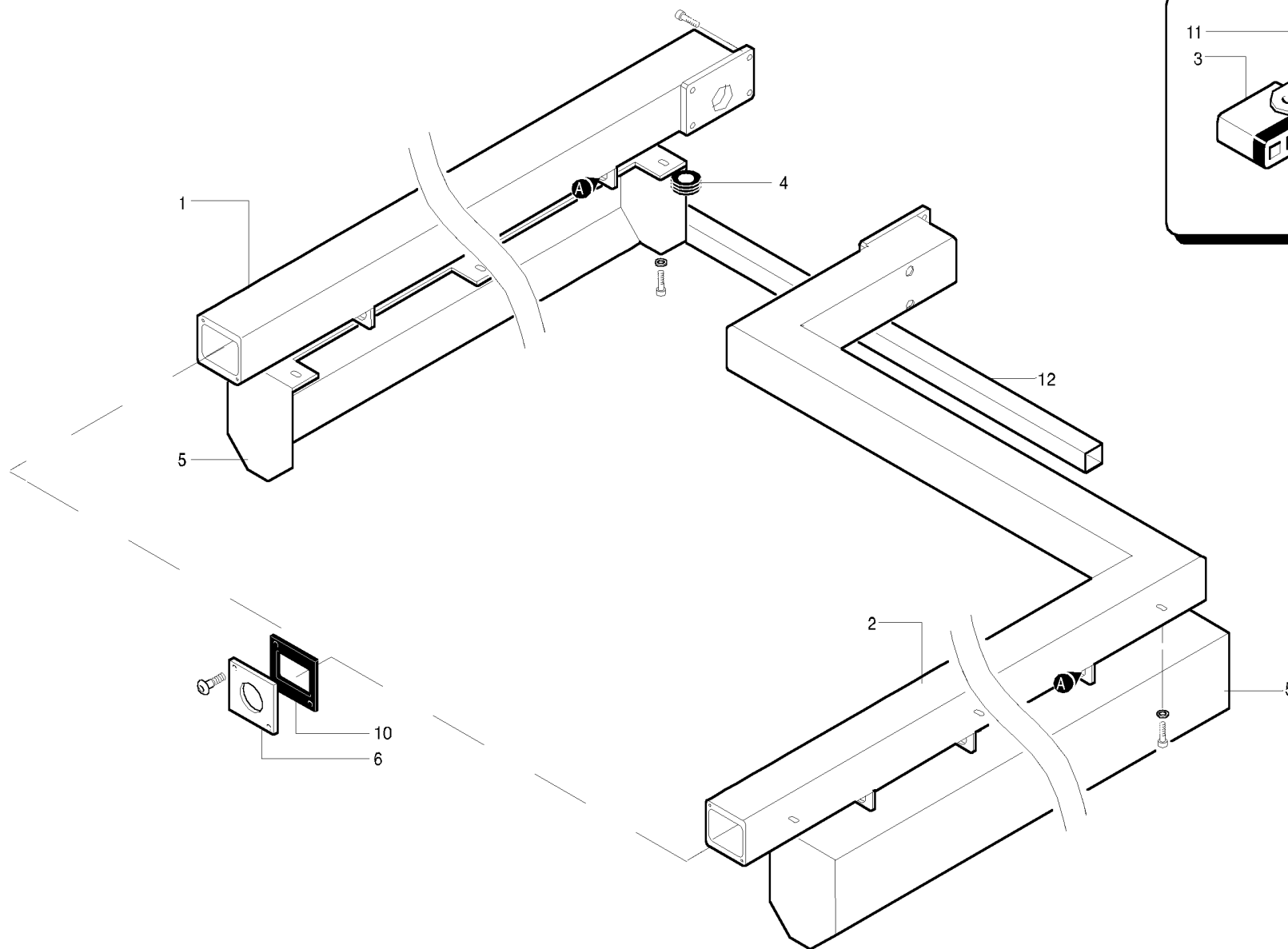
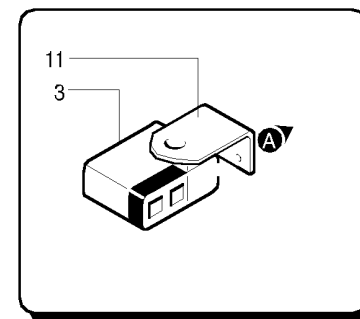
- 1 1205A0798V
- 2 2164A0433
- 3 1419A0007
- 4 0908A0232
- 5 080425500



H0159A03 - PHOTOELECTRIC CELL BARRIER - 40190 - ROVER 22/24

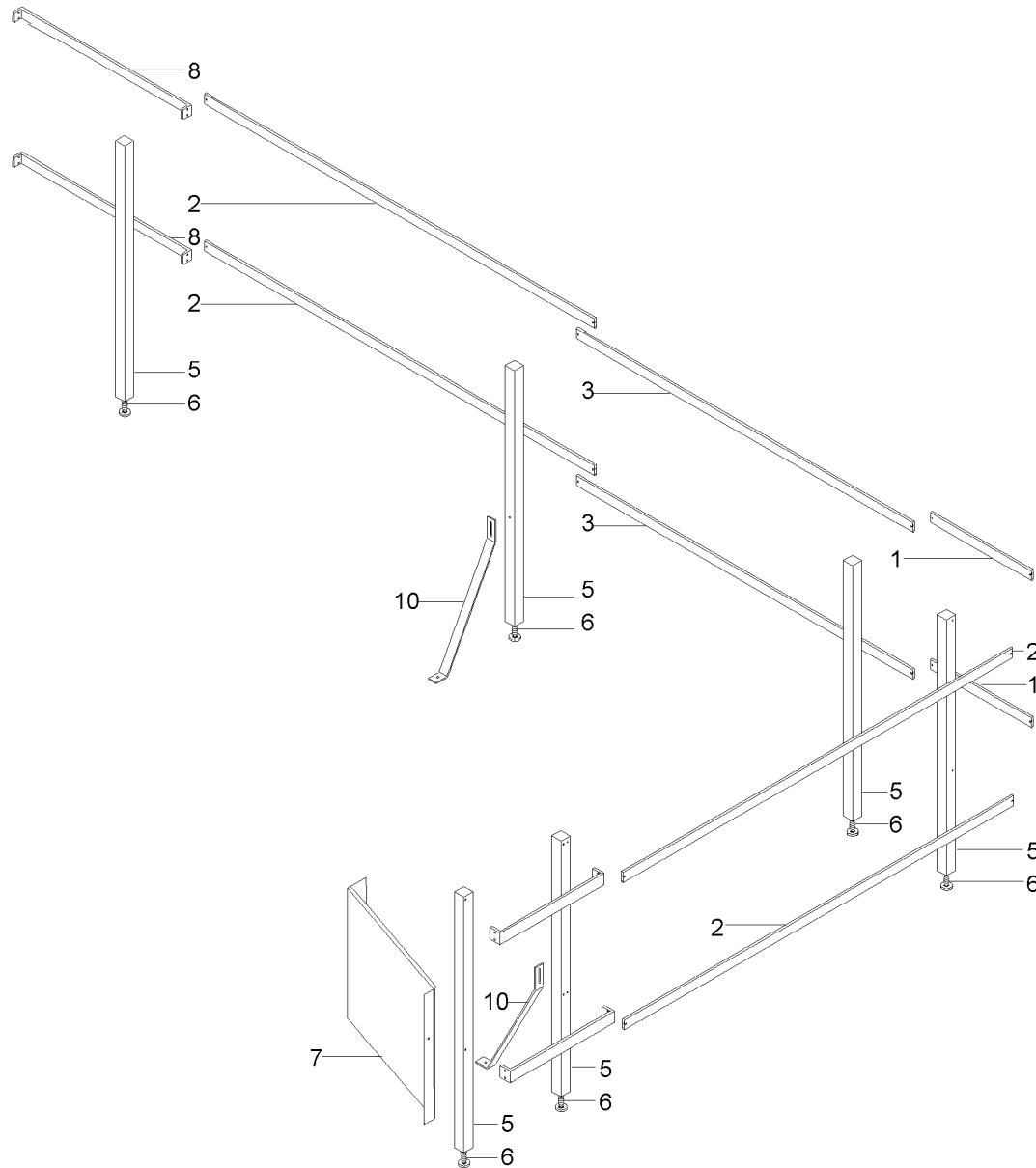
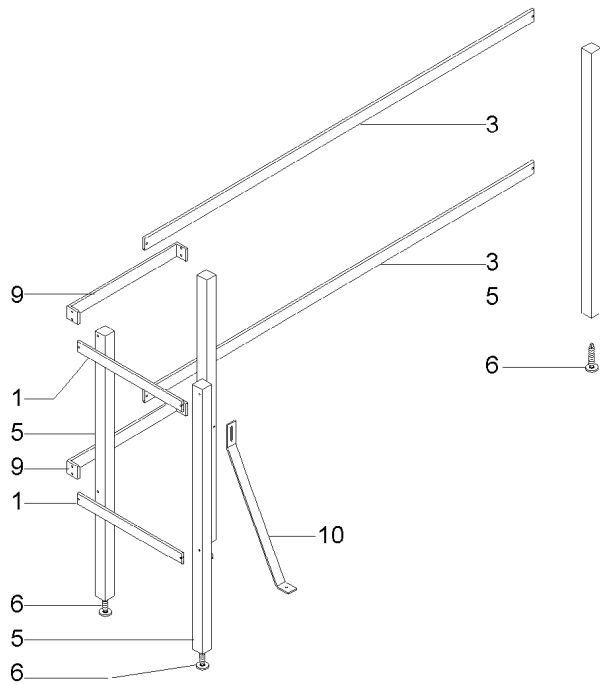
POSITION	DRAWING/COMPONENT	DESCRIPTION
1	1205A0798V	SUPPORT
2	2164A0433	RETROREFLECTOR
3	1419A0007	GASKET
4	0908A0232	COVER
5	080425500	NUT

- 1 1205A0799V
- 3 2164A0157
- 4 214800500 - D=11 d=6.4
- 11 1205A1265V
- 12 1214A0434V



H0160A02 - PHOTOELECTRIC CELL BARRIER - 40190 - ROVER 22/24

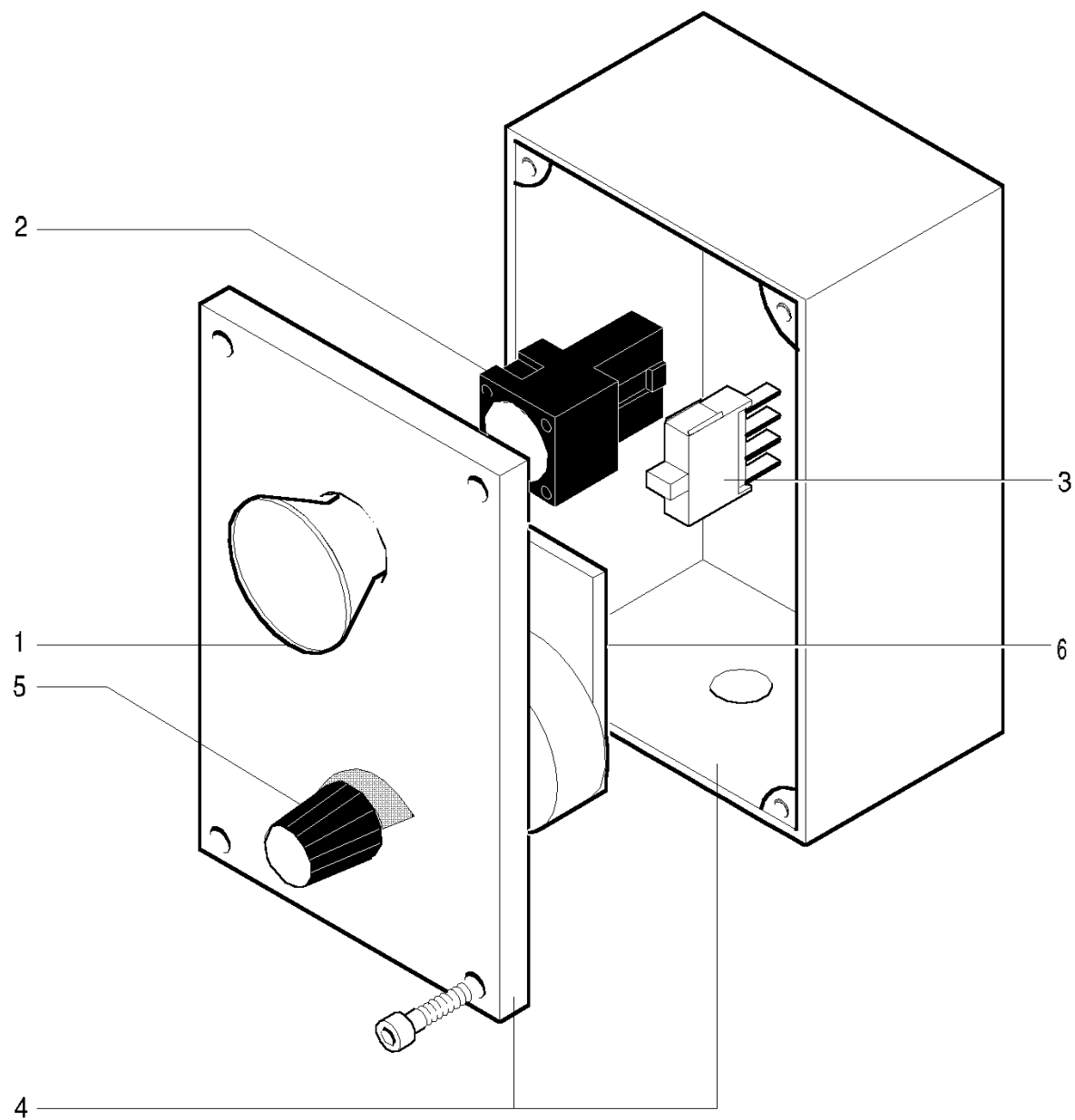
POSITION	DRAWING/COMPONENT	DESCRIPTION
1	1205A0799V	SUPPORT
3	2164A0157	PHOTOCELL
4	214800500	BUSHING - D=11 D=6.4
11	1205A1265V	SUPPORT
12	1214A0434V	BAR



- 1 1208A0976V
- 2 1208A0982V
- 3 1208A0983V
- 5 1205A0710V
- 6 1730A0001
- 8 1208A0975V
- 9 1208A0977V
- 10 1214A0480V

H0164A02 - PERIMETER GUARD - S - 40190 - ROVER 22/24

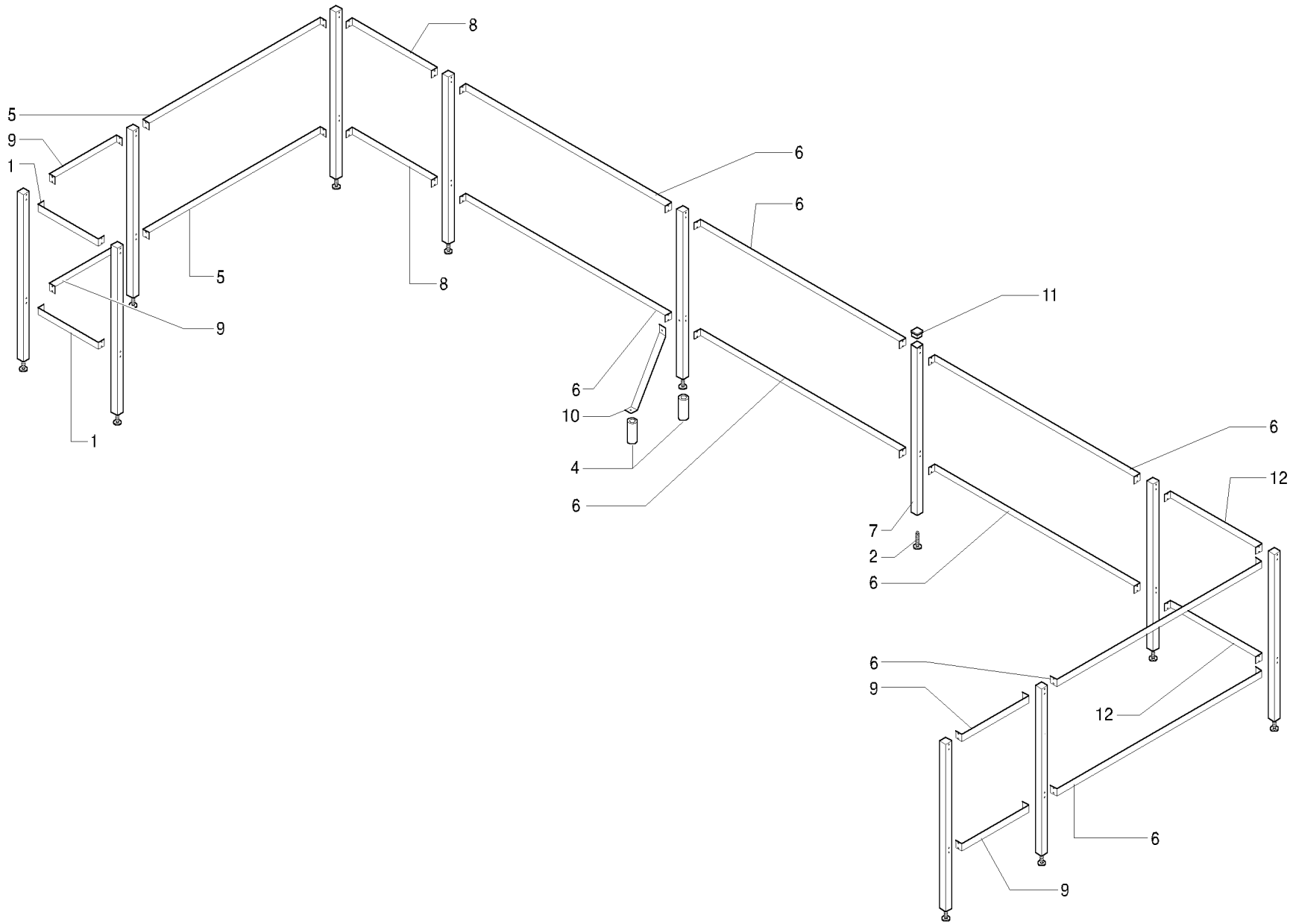
POSITION	DRAWING/COMPONENT	DESCRIPTION
1	1208A0976V	SAFETY PANEL
2	1208A0982V	SAFETY PANEL
3	1208A0983V	SAFETY PANEL
5	1205A0710V	SUPPORT
6	1730A0001	FOOT
8	1208A0975V	PANEL
9	1208A0977V	PANEL
10	1214A0480V	BRACKET

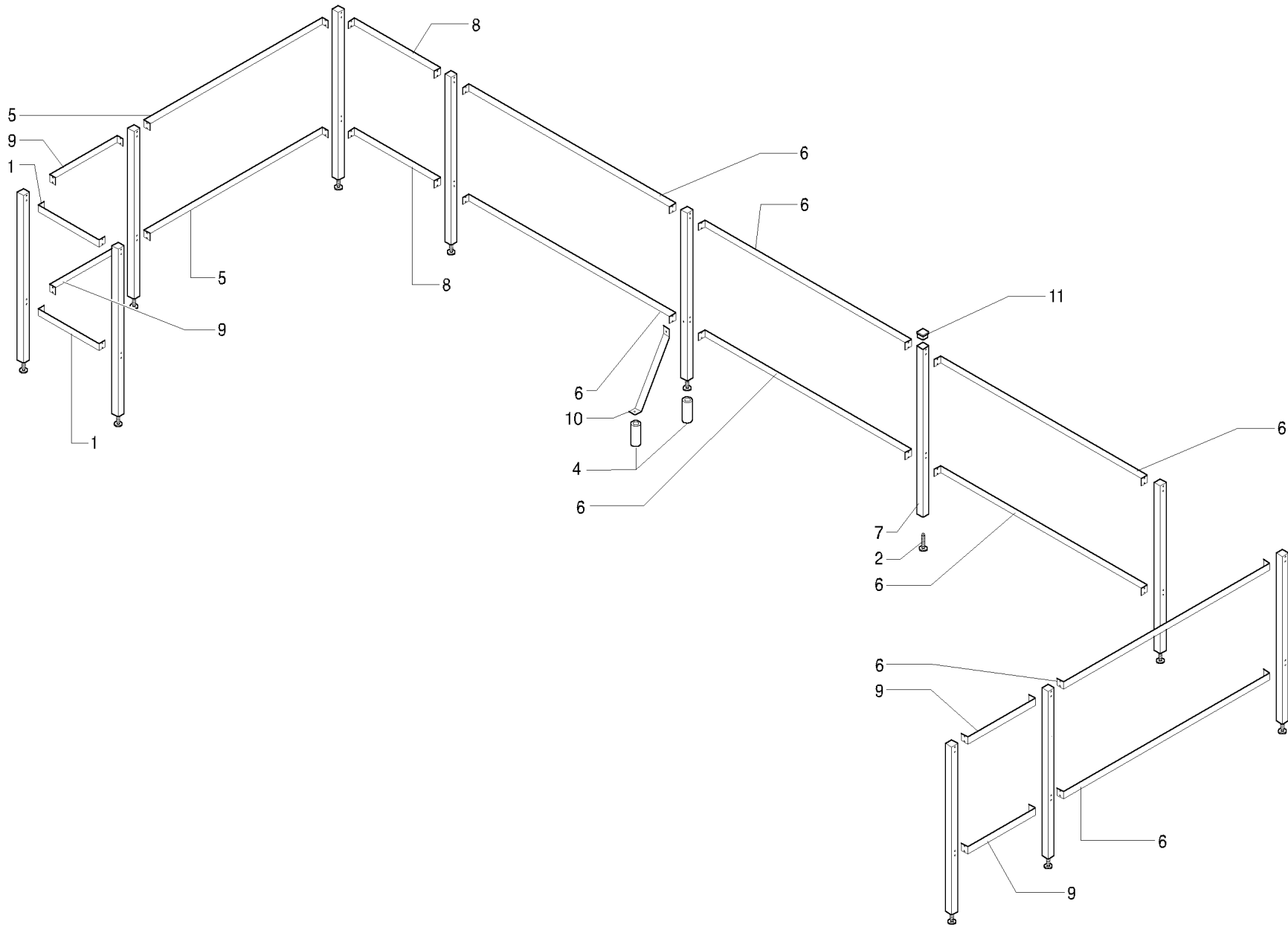


- 1 211805300 - 3SB20 00-1A..
- 2 210607200 - 3SB29 08-0A..
- 3 210607000 - 3SB24 04-0C..
- 4 2165A0003
- 5 2160A0003 - CNI
- 6 2103A0001 - CNI

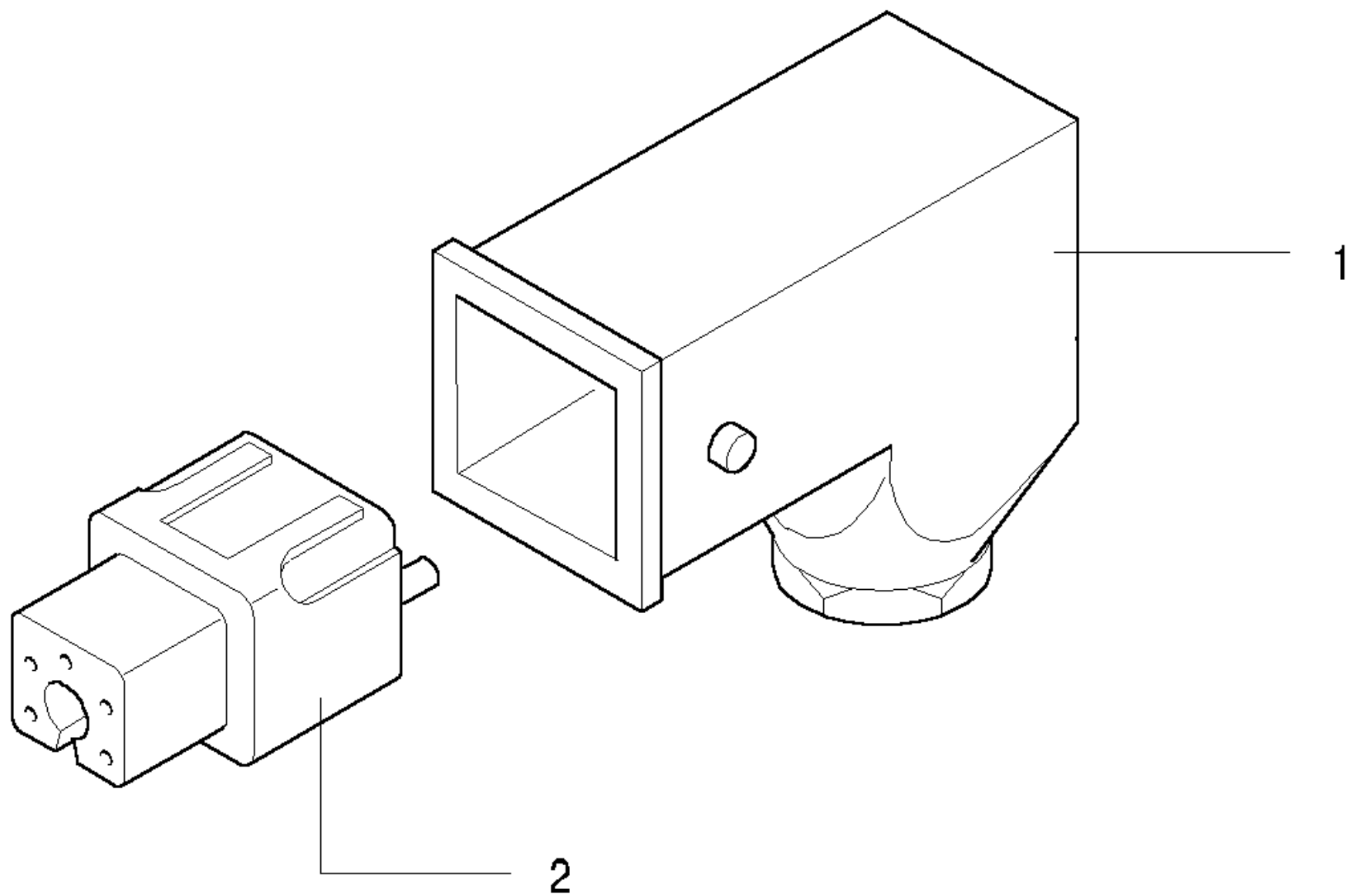
H0165A00 - OVERRIDE - 40190 - ROVER 22/24

POSITION	DRAWING/COMPONENT	DESCRIPTION
1	211805300	PUSH BUTTON - 3SB20 00-1AC01 16MM SIEMENS
2	210607200	BASE - 3SB29 08-0AA SIEMENS
3	210607000	CONTACT - 3SB24 04-0C N.C. SIEMENS
4	2165A0003	BOX
5	2160A0003	KNOB - CNI
6	2103A0001	SWITCH - CNI



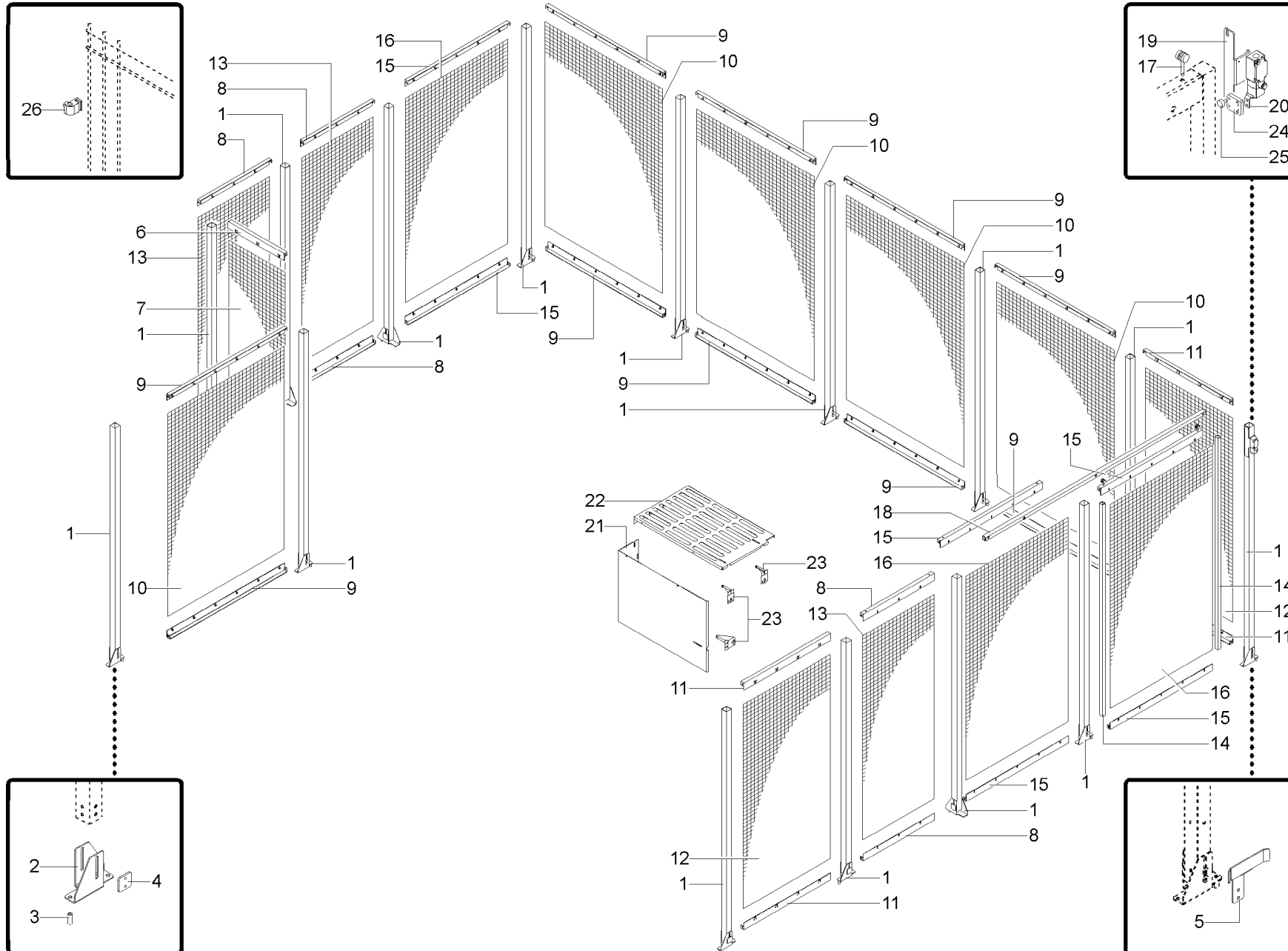


- 1 213814800
- 2 213815000



H0176A00 - CONNECTOR - 40190 - ROVER 22/24

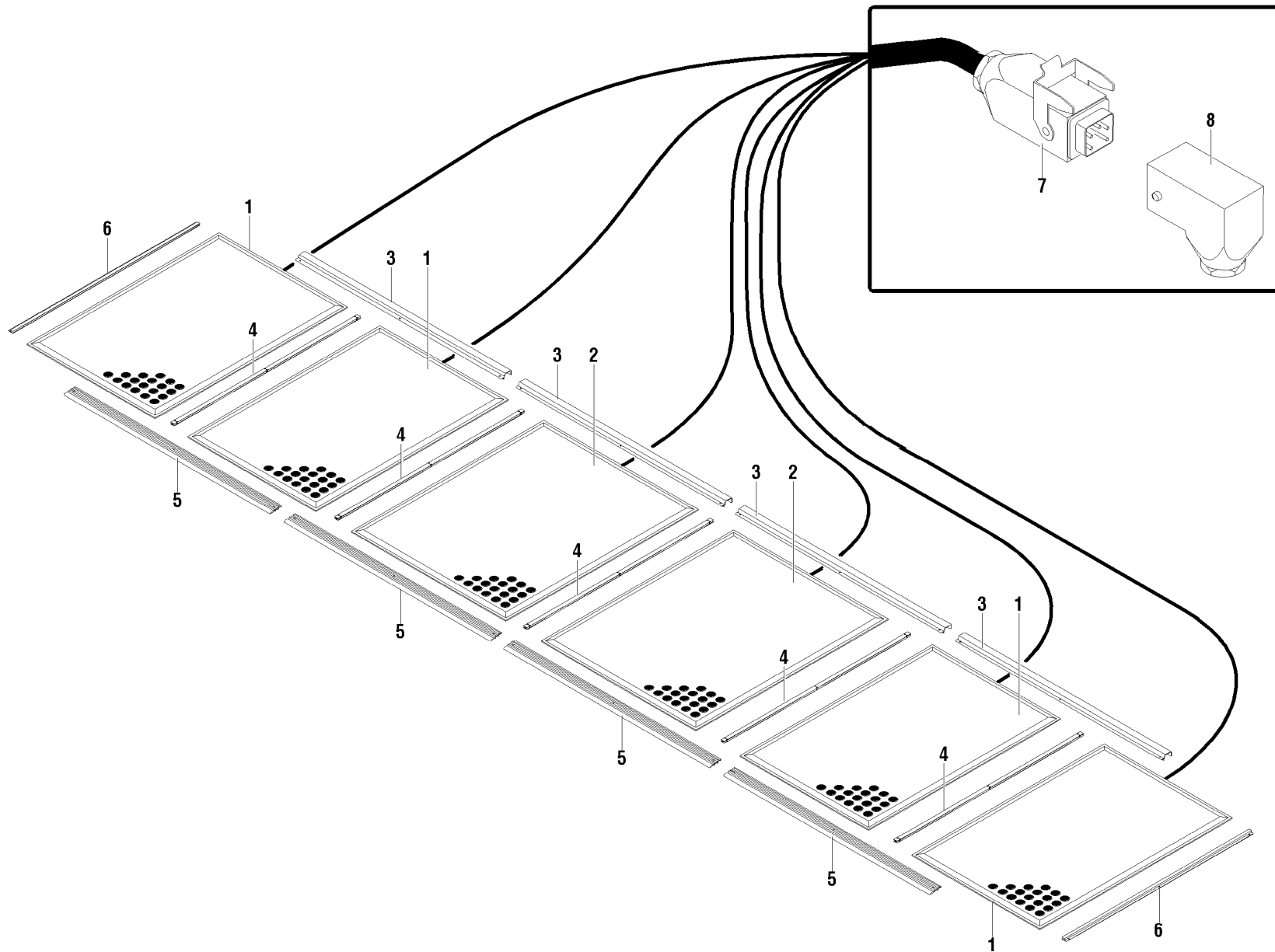
POSITION	DRAWING/COMPONENT	DESCRIPTION
1	213814800	INSULATING SHEATH
2	213815000	CONTACT ELEMENT



H0222A00 - PERIMETER GUARD - CE S - 40190 - ROVER 22/24

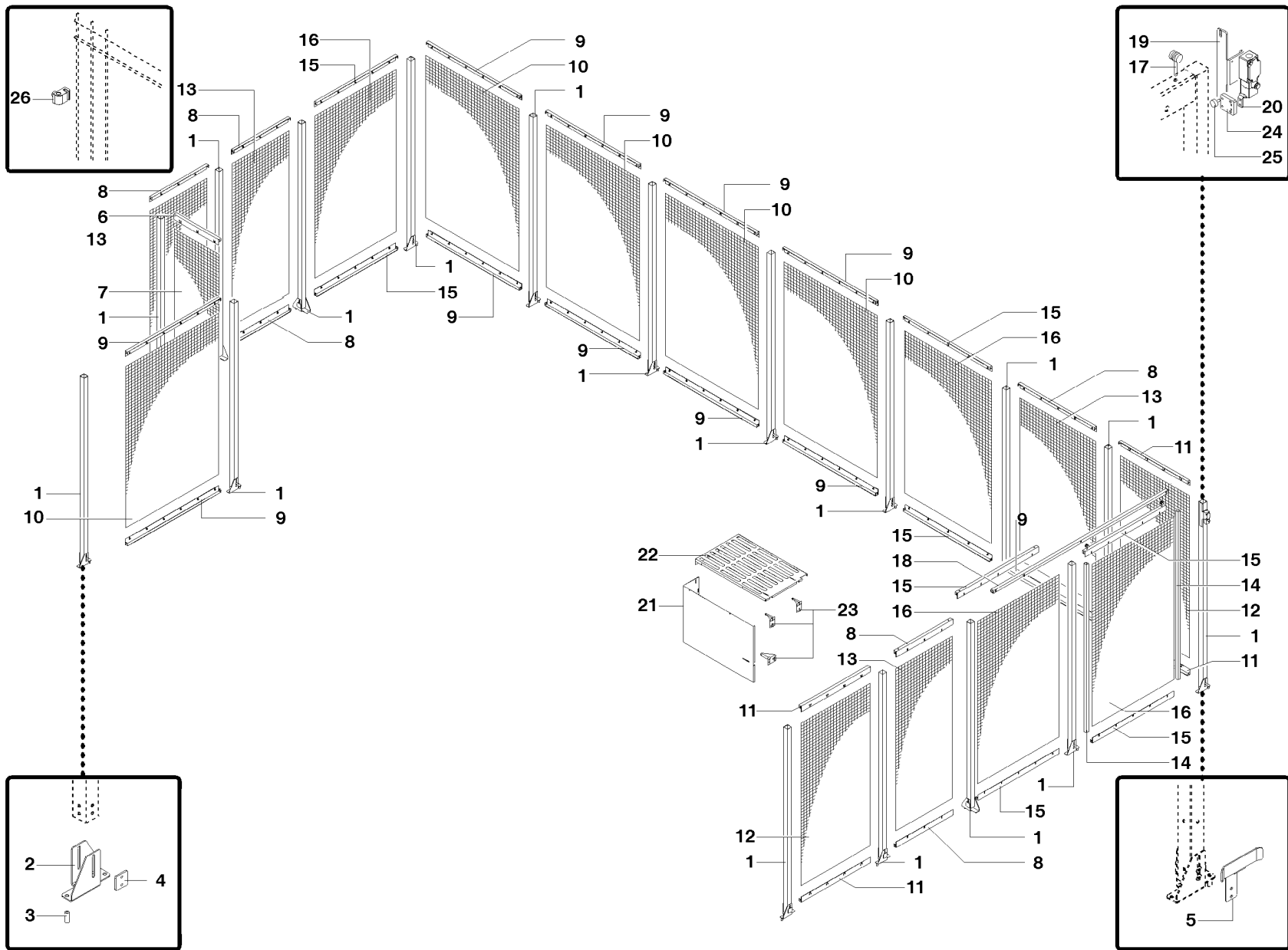
POSITION	DRAWING/COMPONENT	DESCRIPTION
20	H0239A00	SAFETY SWITCH

7 H0245A00
8 H0176A00



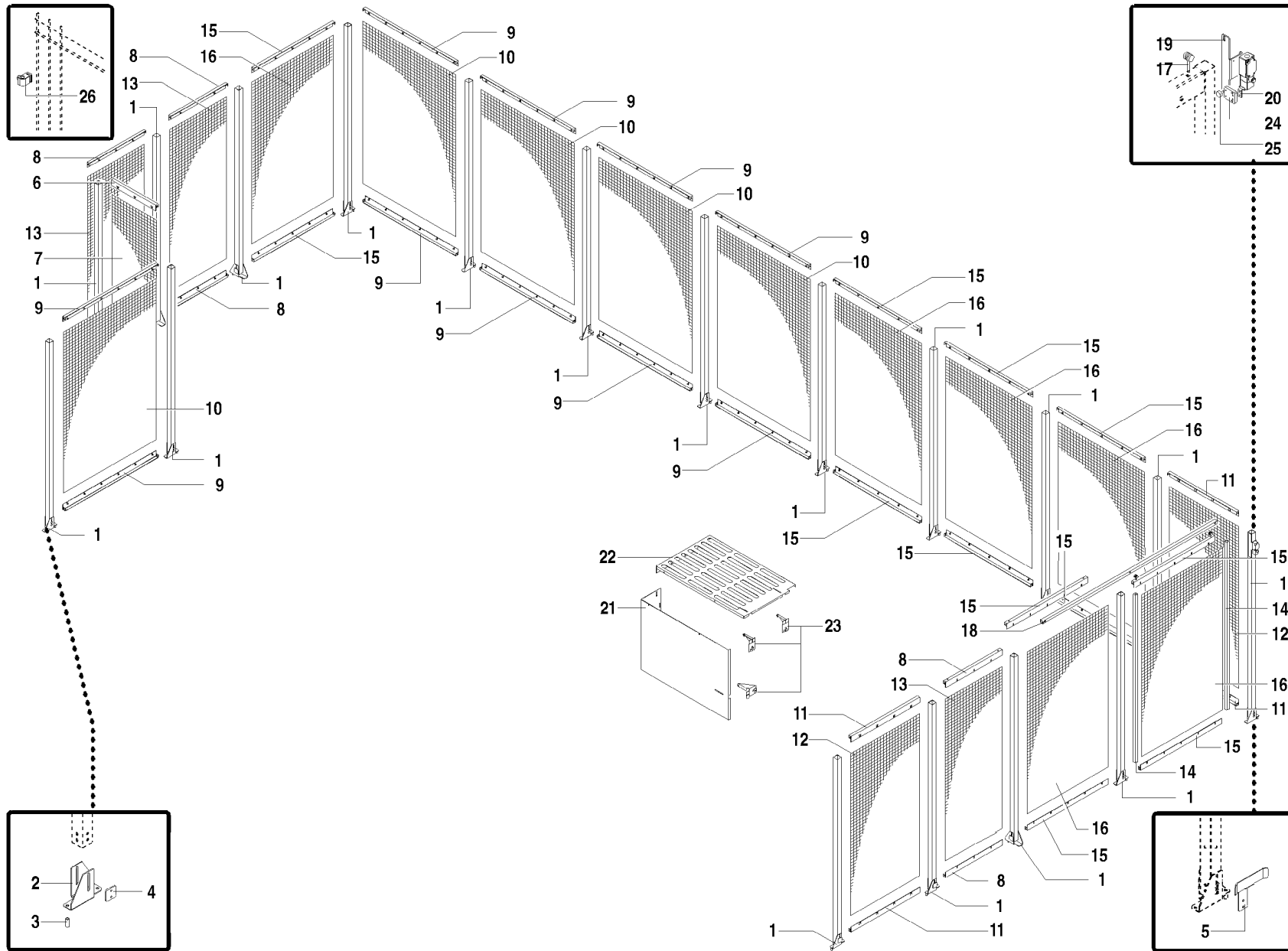
H0226A00 - CONTACT MAT - S - 40190 - ROVER 22/24

POSITION	DRAWING/COMPONENT	DESCRIPTION
7	H0245A00	CONNECTOR
8	H0176A00	CONNECTOR



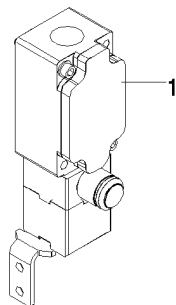
H0237A00 - GUARDS ASSEMBLY - CE L - 40190 - ROVER 22/24

POSITION	DRAWING/COMPONENT	DESCRIPTION
20	H0239A00	SAFETY SWITCH

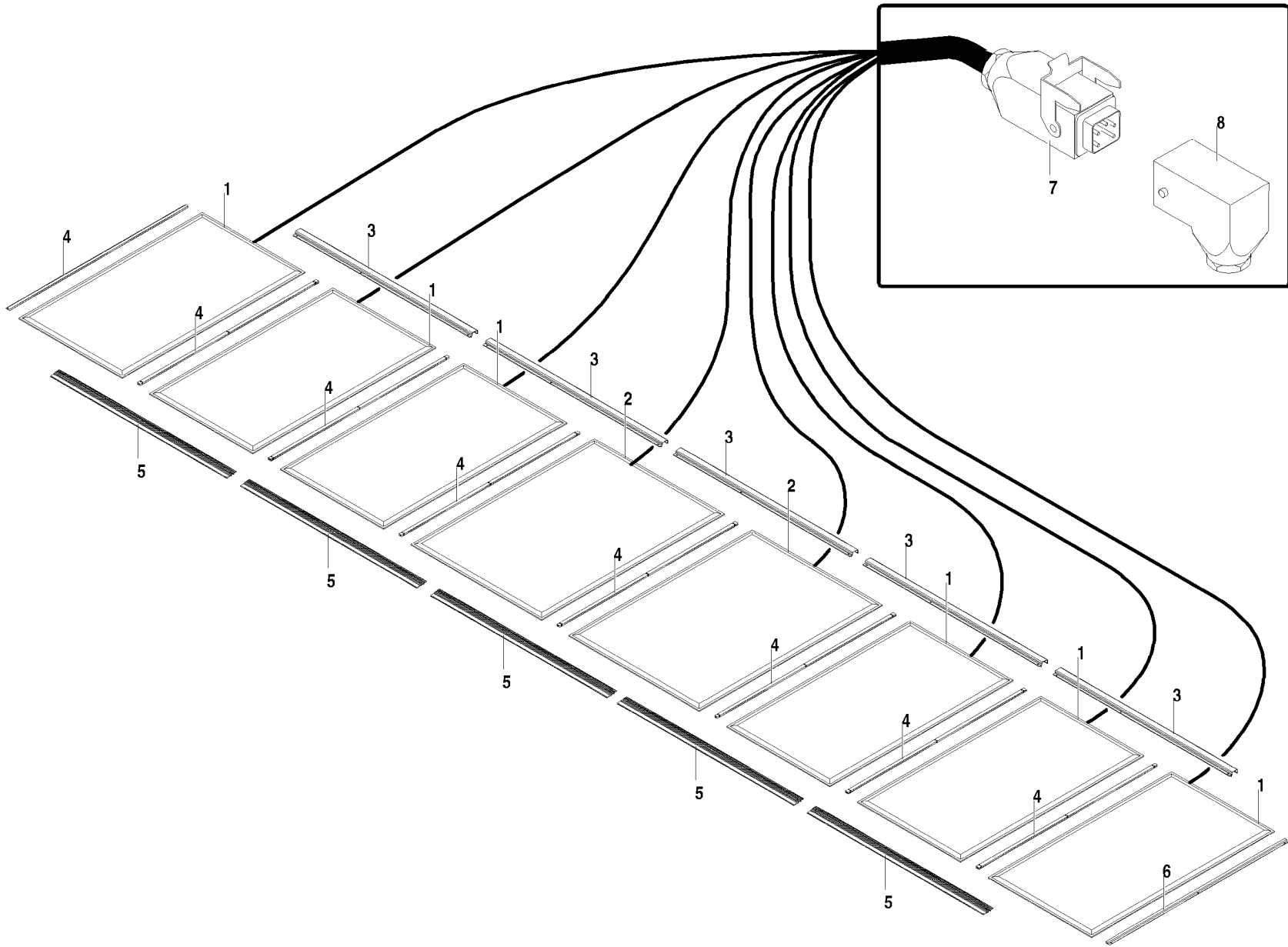


H0238A00 - GUARDS ASSEMBLY - CE XL - 40190 - ROVER 22/24

POSITION	DRAWING/COMPONENT	DESCRIPTION
20	H0239A00	SAFETY SWITCH



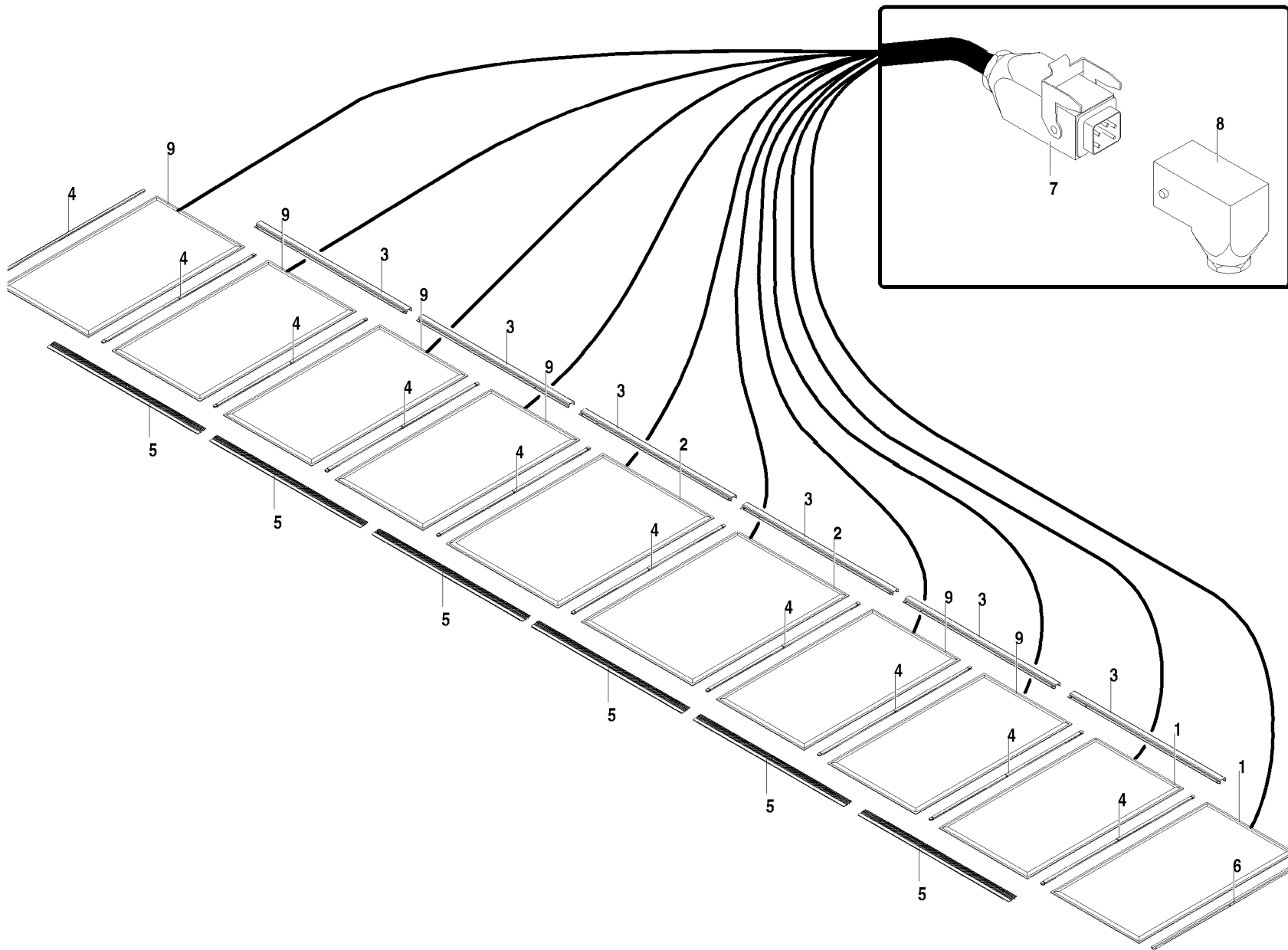
7 H0245A00
8 H0176A00



H0242A00 - CONTACT MAT - L - 40190 - ROVER 22/24

POSITION	DRAWING/COMPONENT	DESCRIPTION
7	H0245A00	CONNECTOR
8	H0176A00	CONNECTOR

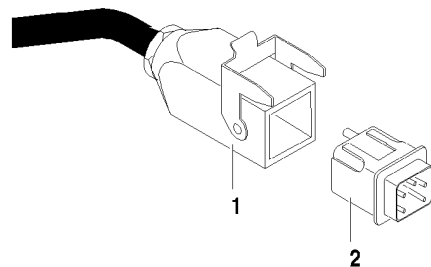
7 H0245A00
8 H0176A00



H0243A00 - CONTACT MAT - XL - 40190 - ROVER 22/24

POSITION	DRAWING/COMPONENT	DESCRIPTION
7	H0245A00	CONNECTOR
8	H0176A00	CONNECTOR

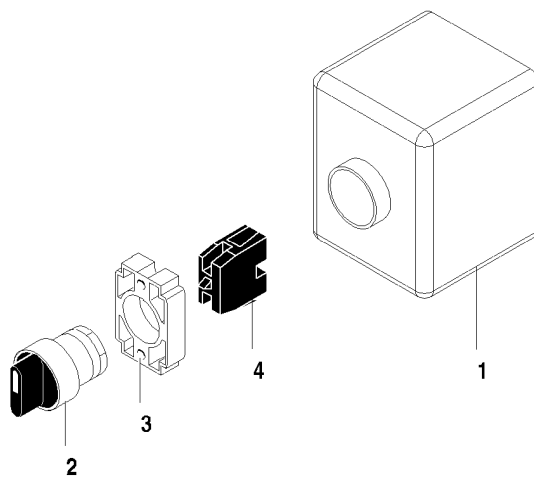
- 1 213814700
- 2 213814900



H0245A00 - CONNECTOR - 40190 - ROVER 22/24

POSITION	DRAWING/COMPONENT	DESCRIPTION
1	213814700	INSULATING SHEATH
2	213814900	SOCKET

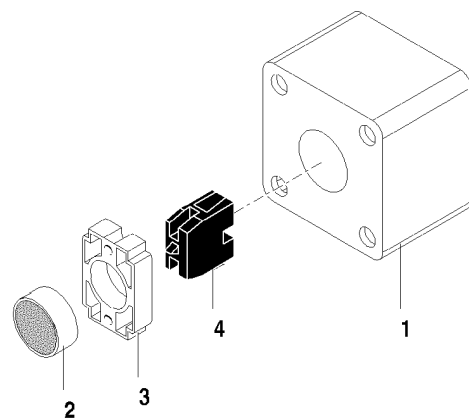
- 1 2165A0010
- 2 2106A0088 - ZB4BD2
- 3 2123A0065 - ZBE101
- 4 2123A0083 - ZB4-BZ009



H0246A00 - BUTTON PAD - 40190 - ROVER 22/24

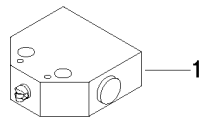
POSITION	DRAWING/COMPONENT	DESCRIPTION
1	2165A0010	BOX
2	2106A0088	SELECTOR - ZB4BD2
3	2123A0065	CONTACT - ZBE101
4	2123A0083	BASE - ZB4-BZ009

- 1 216500700
- 2 2118A0109
- 3 2123A0083 - ZB4-BZ009
- 4 2123A0065 - ZBE101

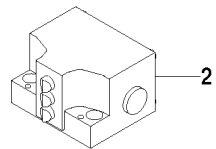


H0247A00 - BUTTON PAD - 40190 - ROVER 22/24

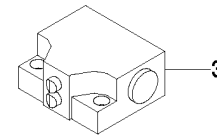
POSITION	DRAWING/COMPONENT	DESCRIPTION
1	216500700	BOX
2	2118A0109	PUSH BUTTON
3	2123A0083	BASE - ZB4-BZ009
4	2123A0065	CONTACT - ZBE101



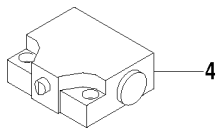
1



2



3

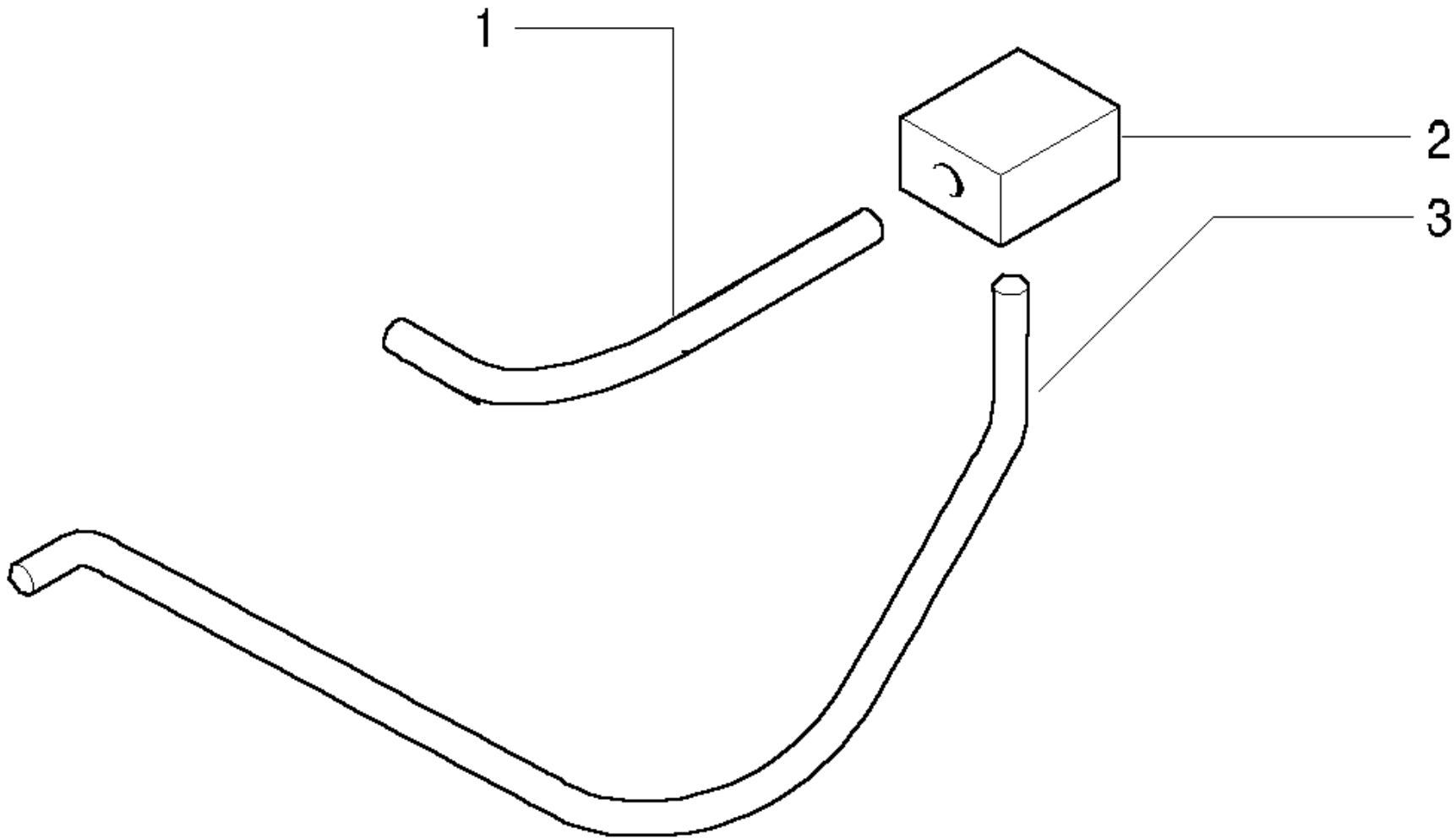


4

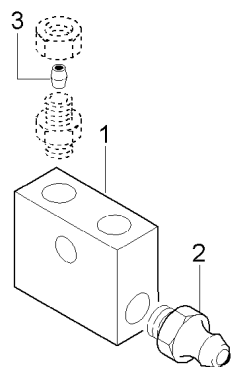
- 1 2104A0210 - BNS819-FD60
- 2 2104A0212 - BNS 819-B0..
- 3 2104A0211 - BNS 819-B0..

H0249A01 - SAFETY LIMIT SWITCH - 40190 - ROVER 22/24

POSITION	DRAWING/COMPONENT	DESCRIPTION
1	2104A0210	LIMIT SWITCH - BNS819-FD60
2	2104A0212	LIMIT SWITCH - BNS 819-B03D12-61-12-10
3	2104A0211	LIMIT SWITCH - BNS 819-B02D12-61-12-10



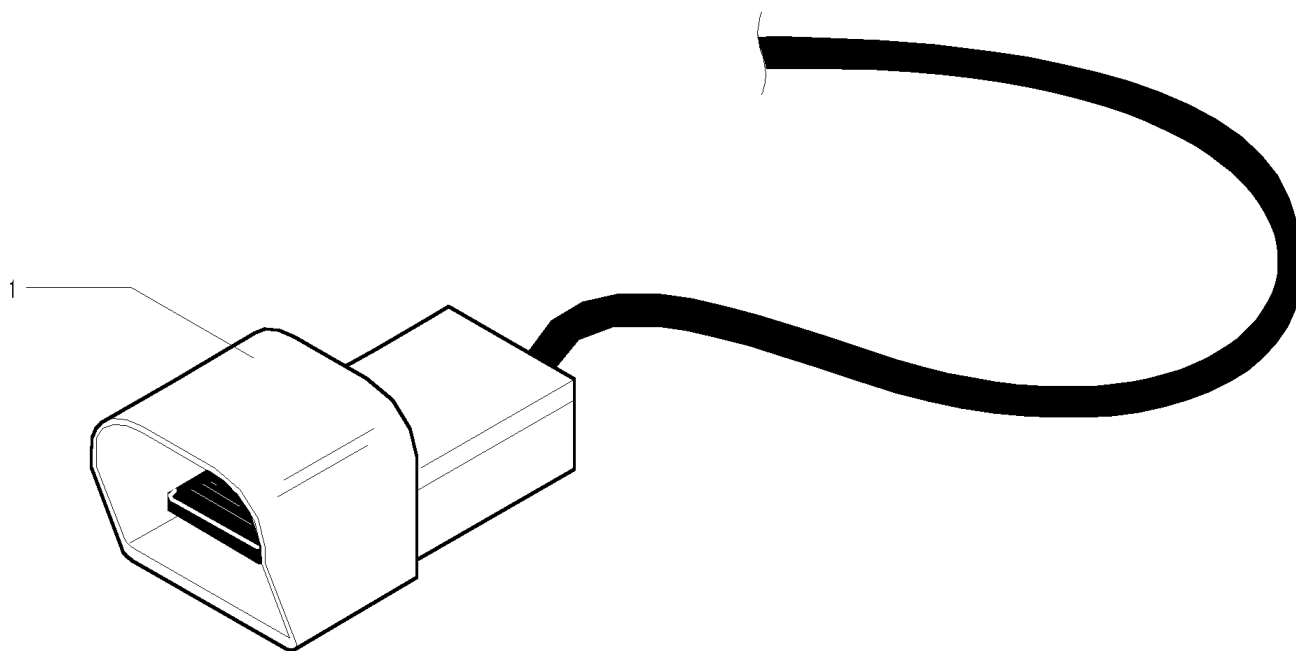
- 1 091302800 - ISO 30
- 2 260500900
- 3 2614A0003



L0128A01 - DISTRIBUTOR - 40190 - ROVER 22/24

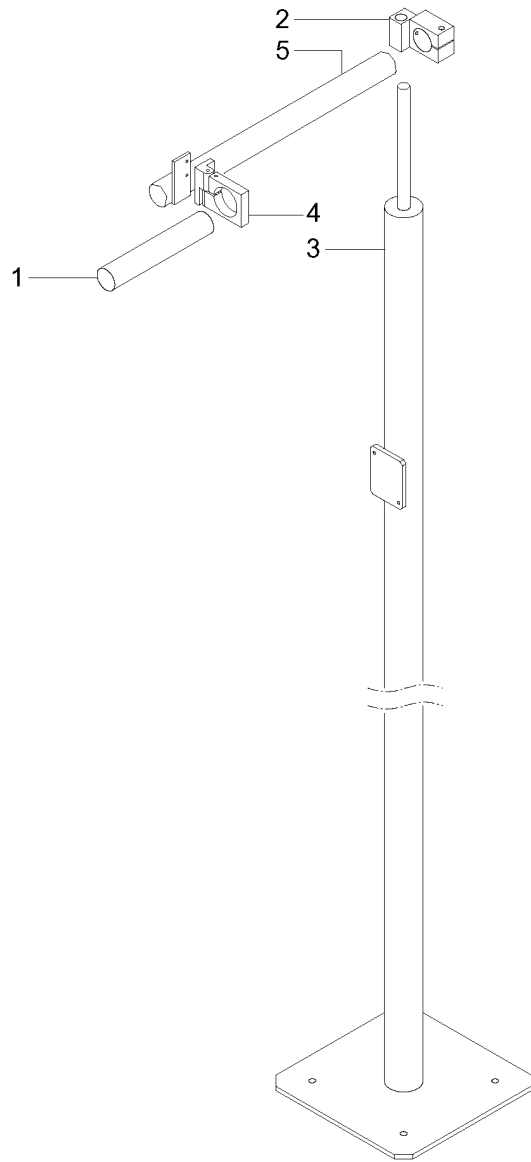
POSITION	DRAWING/COMPONENT	DESCRIPTION
1	091302800	BLOCK - ISO 30
2	260500900	GREASING NIPPLE
3	2614A0003	CONNECTOR

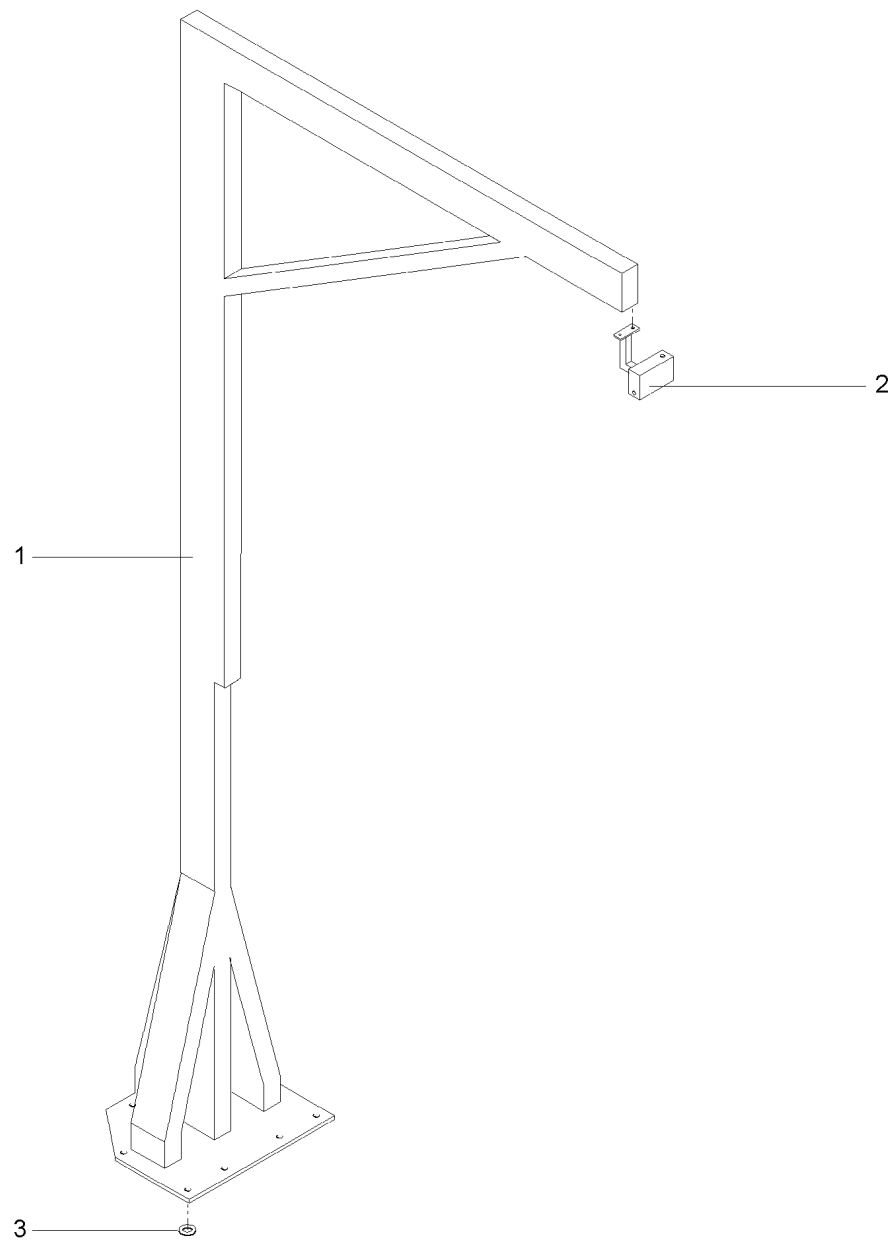
1 211800100 - 6125 TER



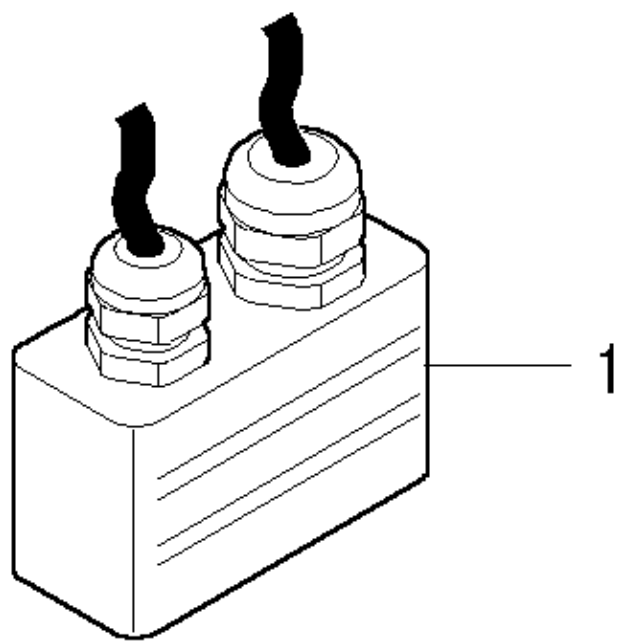
M0105A00 - CONTROL PEDAL - 40190 - ROVER 22/24

POSITION	DRAWING/COMPONENT	DESCRIPTION
1	211800100	PUSH BUTTON - 6125 TER



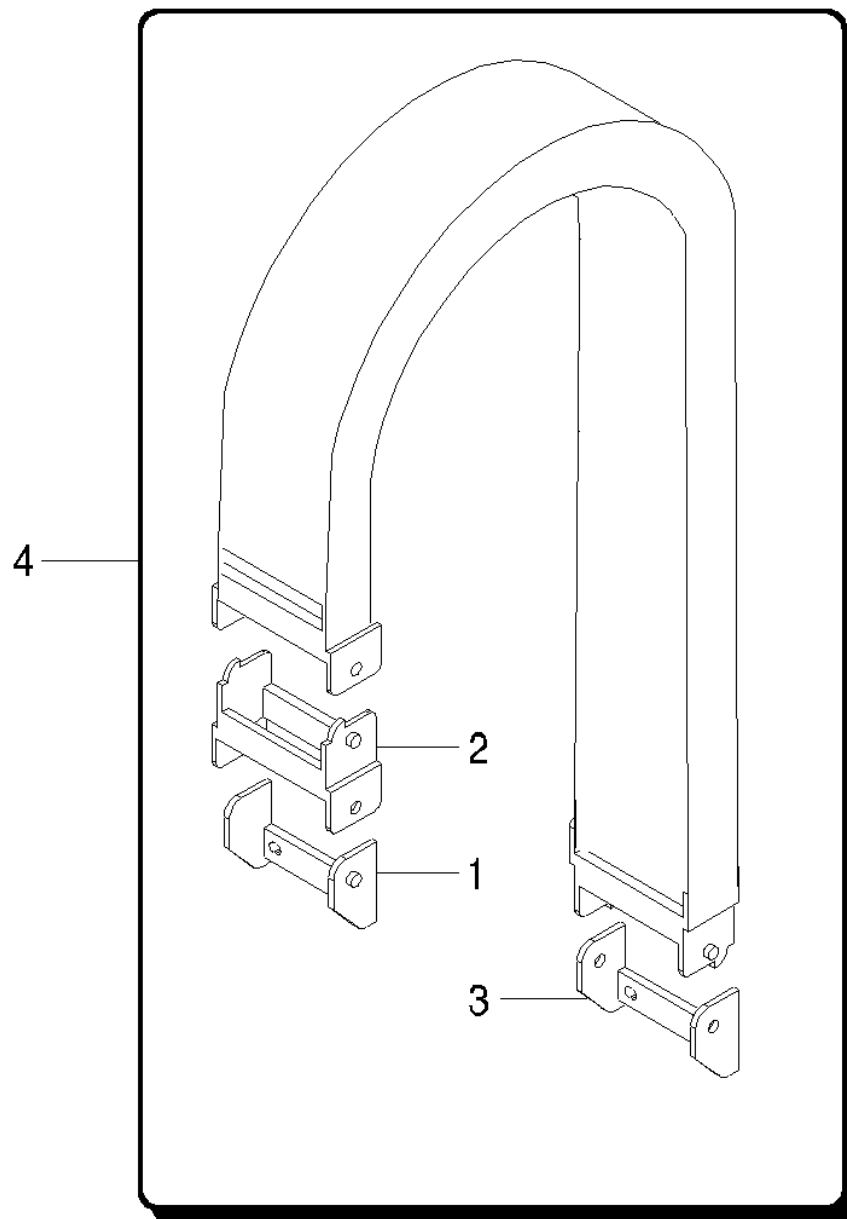


1 6480A0183 - M16-M20



M0131A00 - CONNECTOR - 40190 - ROVER 22/24

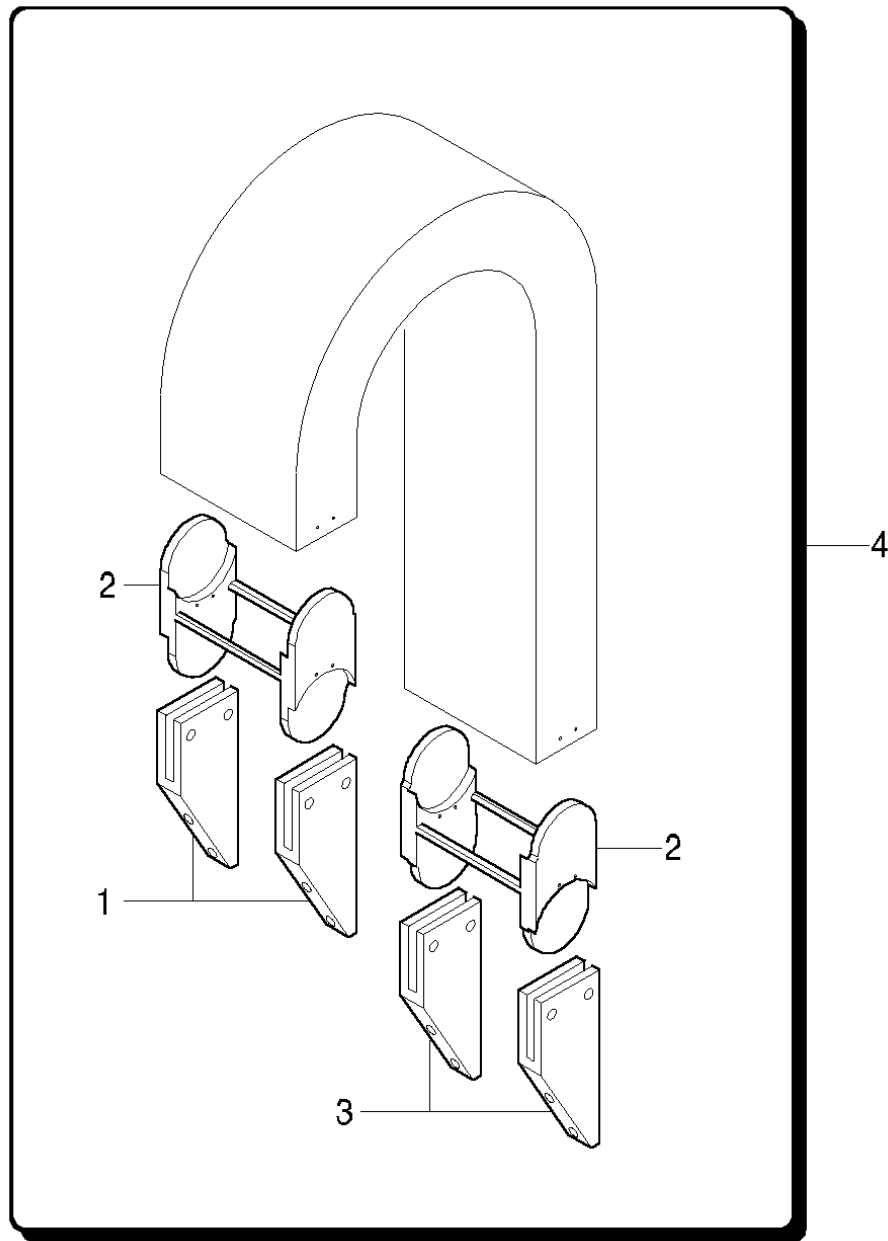
POSITION	DRAWING/COMPONENT	DESCRIPTION
1	6480A0183	HINGE MOUNTING PLATE - M16-M20

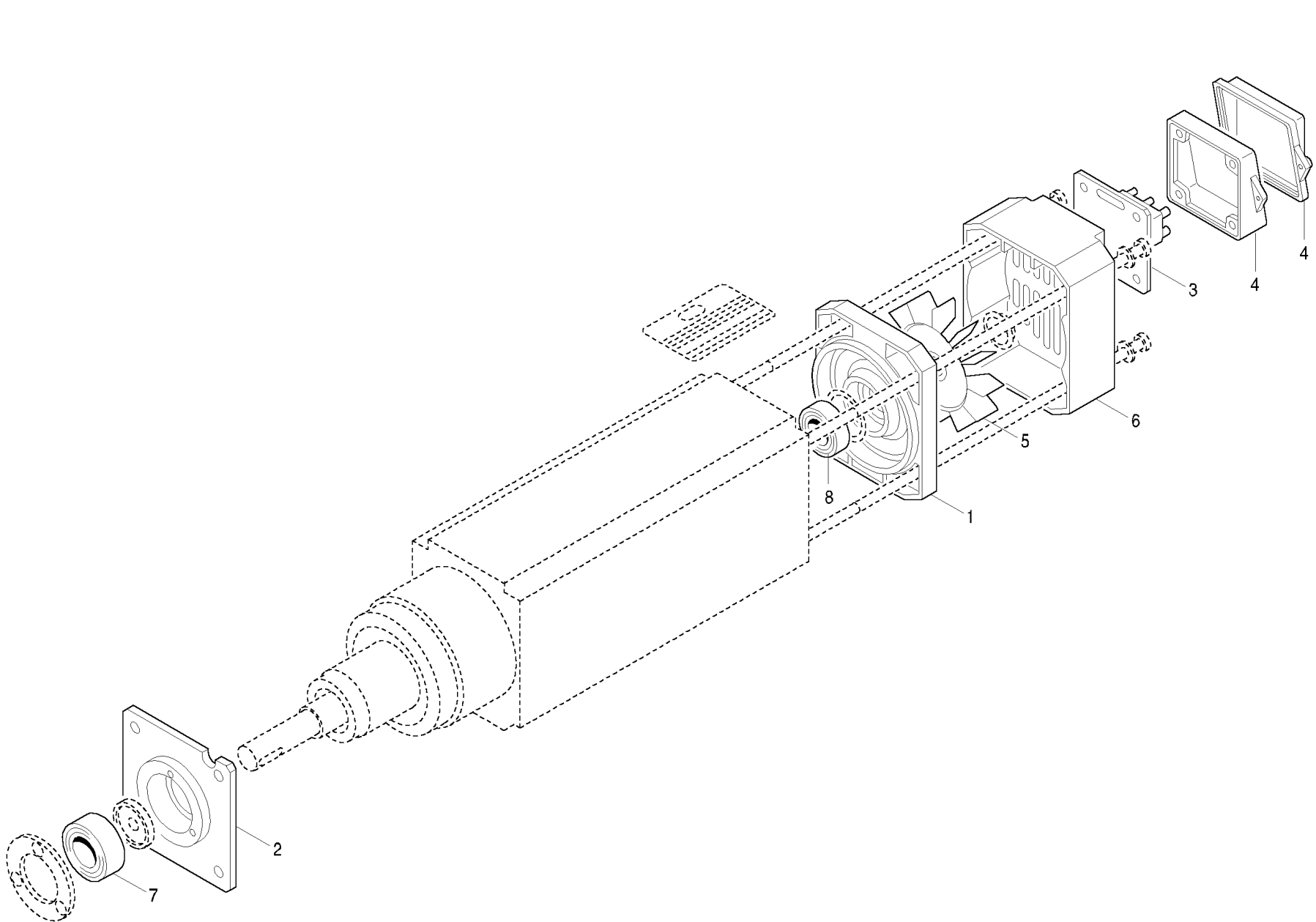


- 1 2016A0011 - FI 0450.61 KS
- 2 2004A0013
- 3 2016A0010 - KS 0450.61
- 4 6415A0087 - KS0450-KR9..

M0139A00 - CABLE-HOLDER CHAIN - 40190 - ROVER 22/24

POSITION	DRAWING/COMPONENT	DESCRIPTION
1	2016A0011	CHAIN TERMINAL LINK - FI 0450.61 KS
2	2004A0013	LINK
3	2016A0010	CHAIN TERMINAL LINK - KS 0450.61
4	6415A0087	CABLE-HOLDER CHAIN - KS0450-KR94-L=675



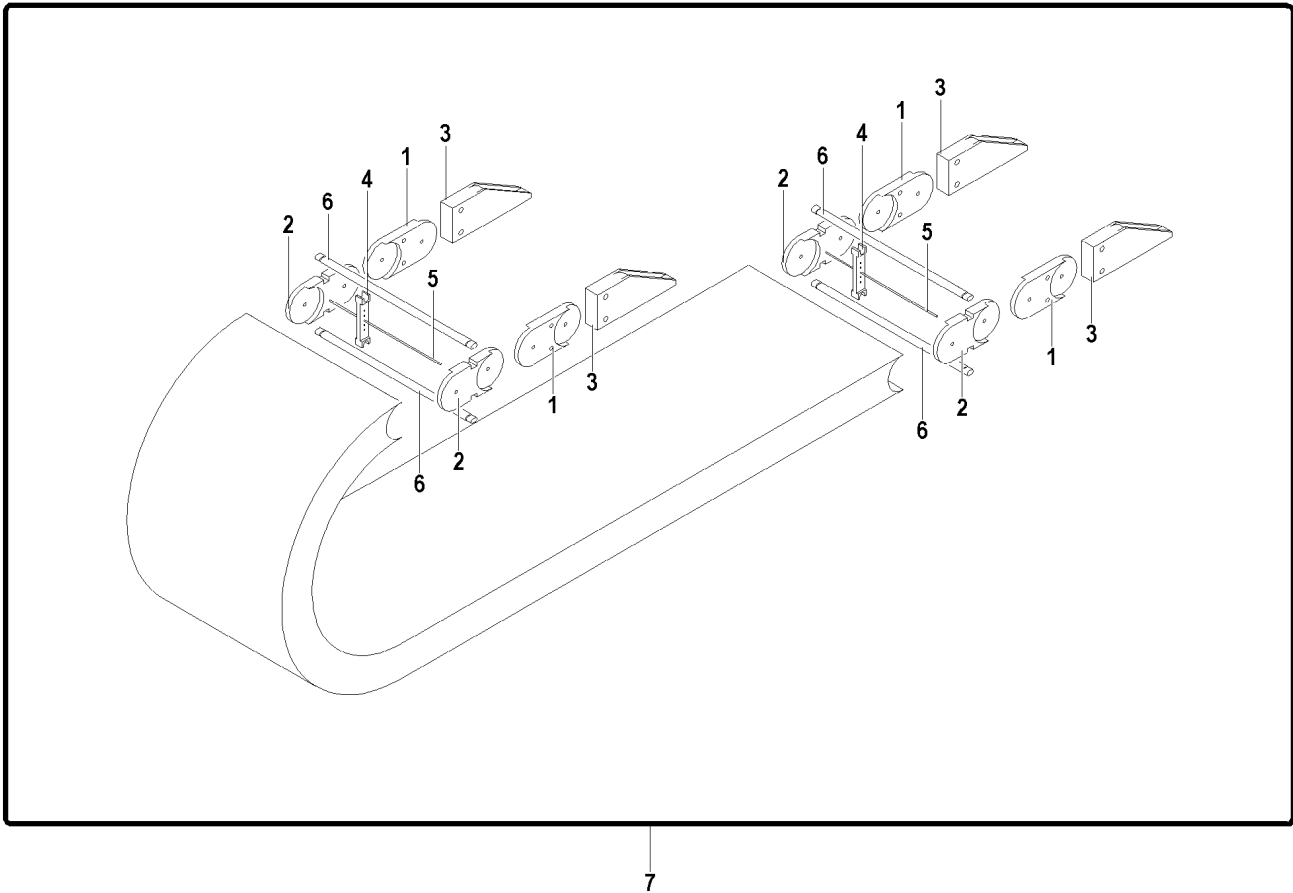


- 1 2005A0006
- 2 2005A0007
- 3 2113A0100
- 4 2135A0053
- 5 2161A0083
- 6 2161A0082
- 7 290401000
- 8 2909A0010

M0151A00 - MOTOR - 40190 - ROVER 22/24

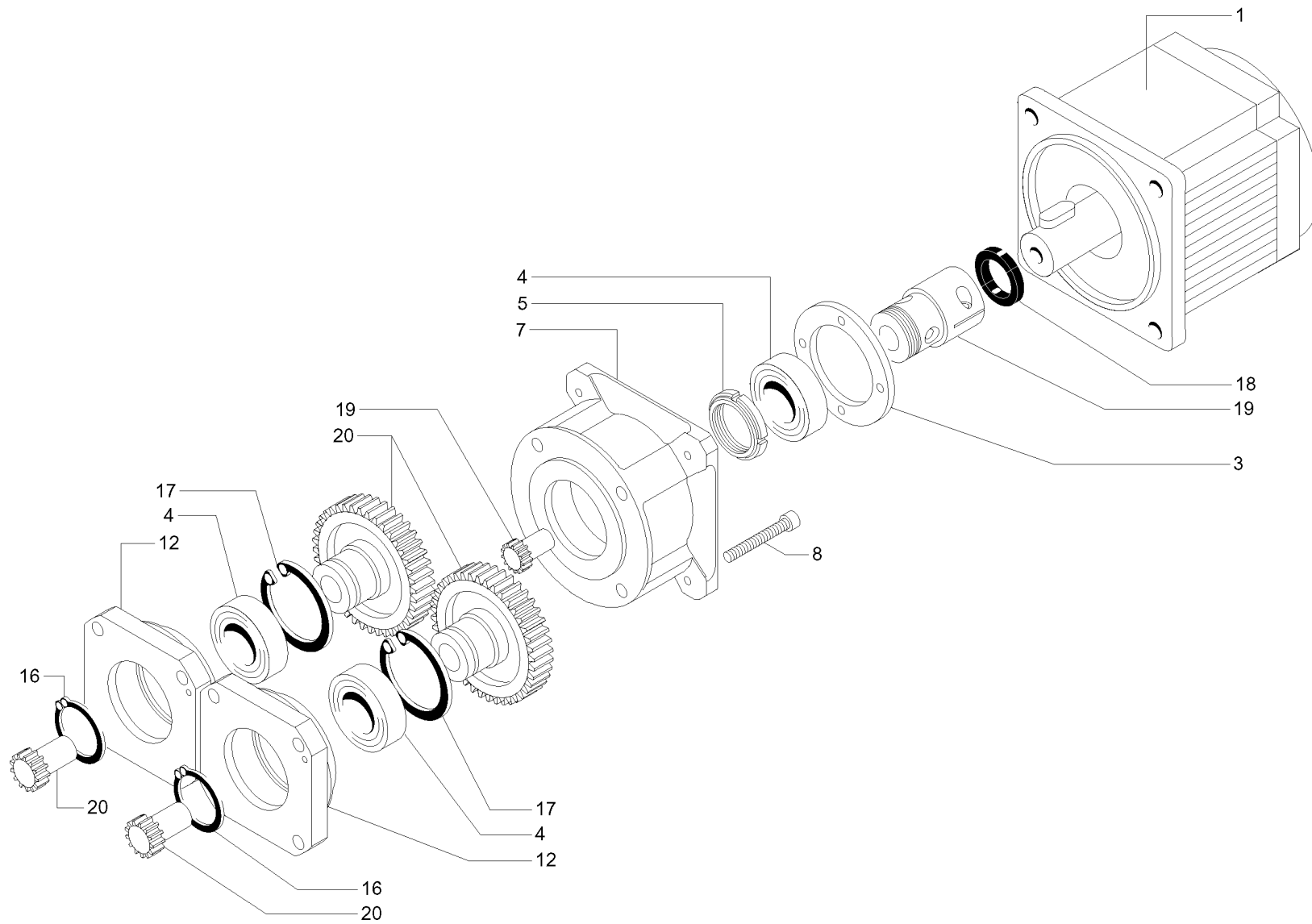
POSITION	DRAWING/COMPONENT	DESCRIPTION
1	2005A0006	COVER
2	2005A0007	FLANGE
3	2113A0100	TERMINAL BOARD
4	2135A0053	COVER
5	2161A0083	FAN
6	2161A0082	COVER
7	290401000	BEARING
8	2909A0010	BEARING

- 1 2004A0225 - KR175-K0650
- 2 2004A0224 - KR175-K0650
- 3 2016A0001 - K0650-KR175
- 4 2017A0001 - K0650
- 5 2017A0005 - K0650.130
- 6 2017A0057 - K0650 RS
- 7 6415A0059 - K0650-KR17..



M0152A00 - CABLE-HOLDER CHAIN - 40190 - ROVER 22/24

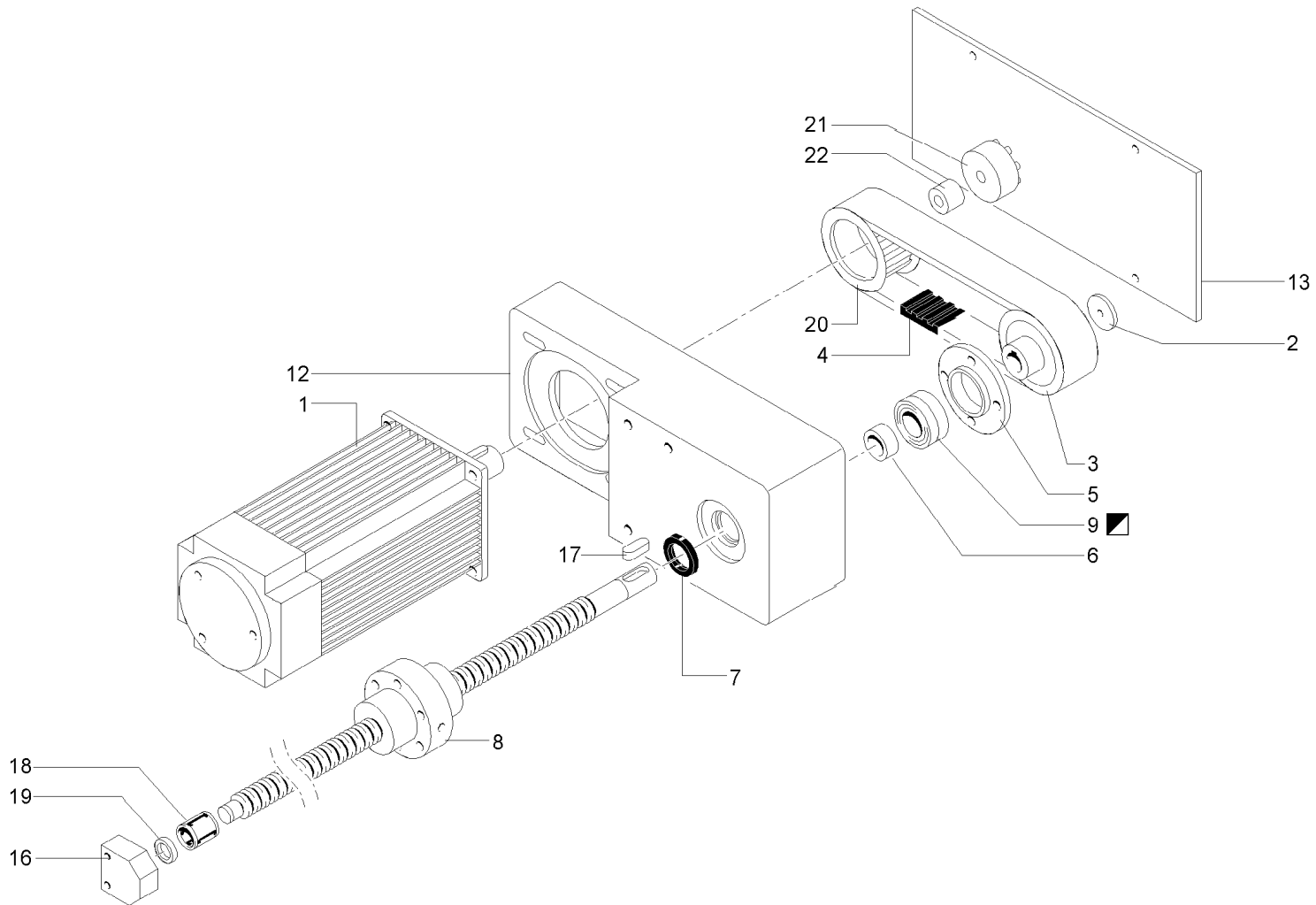
POSITION	DRAWING/COMPONENT	DESCRIPTION
1	2004A0225	LINK - KR175-K0650
2	2004A0224	LINK - KR175-K0650
3	2016A0001	CHAIN TERMINAL LINK - K0650-KR175
4	2017A0001	SEPARATOR - K0650
5	2017A0005	SEPARATOR - K0650.130
6	2017A0057	SEPARATOR - K0650 RS
7	6415A0059	X AXIS CABLE-HOLDER CHAIN - K0650-KR175-L=2665



- 1 2201A0396 - SGMGH-20D..
- 3 0801A0159
- 4 290400900 - 50-90-30,2
- 5 301702400 - M50X1,5
- 7 0905A0734
- 12 0705A0036
- 16 302904500 - E 50
- 17 302919700 - I 90
- 18 311405100 - GR 40-47-4
- 19 1621A0049
- 20 1621A0042

M0159A01 - X AXIS DRIVE - 40190 - ROVER 22/24

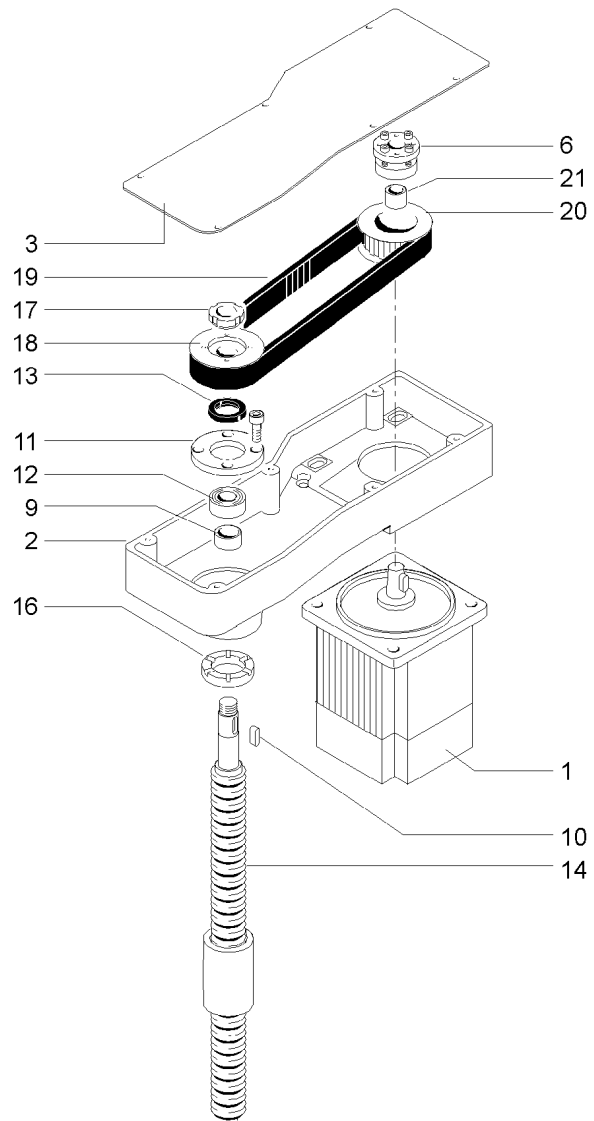
POSITION	DRAWING/COMPONENT	DESCRIPTION
1	2201A0396	MOTOR - SGMGH-20DCA YG24
3	0801A0159	FLANGE
4	290400900	BEARING - 50-90-30,2
5	301702400	RING NUT - M50X1,5
7	0905A0734	SUPPORT
12	0705A0036	SUPPORT
16	302904500	SNAP RING - E 50
17	302919700	SNAP RING - I 90
18	311405100	RING - GR 40-47-4
19	1621A0049	PINION
20	1621A0042	GEAR



1	2201A0395 - SGMGH-09D..
3	0922A0090
4	2701A0180
5	0801A0090
6	080659401
7	311403900 - G26X34X4
8	0815A0172
9	290303900
12	0912A0108V
13	1208A0696V
16	0905A0716
17	302517500 - 6X6X20
18	2906A0008
19	2906A0009 - LR 20 X 25 X..
20	0922A0091
21	270708100
22	0806A0276

M0160A00 - AXIS Y DRIVE - 40190 - ROVER 22/24

POSITION	DRAWING/COMPONENT	DESCRIPTION
1	2201A0395	MOTOR - SGMGH-09DCA YG25
3	0922A0090	PULLEY
4	2701A0180	BELT
5	0801A0090	FLANGE
6	080659401	SPACER
7	311403900	RING - G26X34X4
8	0815A0172	BALL SCREW
9	290303900	BEARING
12	0912A0108V	BOX
13	1208A0696V	COVER
16	0905A0716	SUPPORT
17	302517500	TONGUE - 6X6X20
18	2906A0008	HOLDER
19	2906A0009	RING - LR 20 X 25 X 16.5
20	0922A0091	PULLEY
21	270708100	KEYING DEVICE
22	0806A0276	SPACER

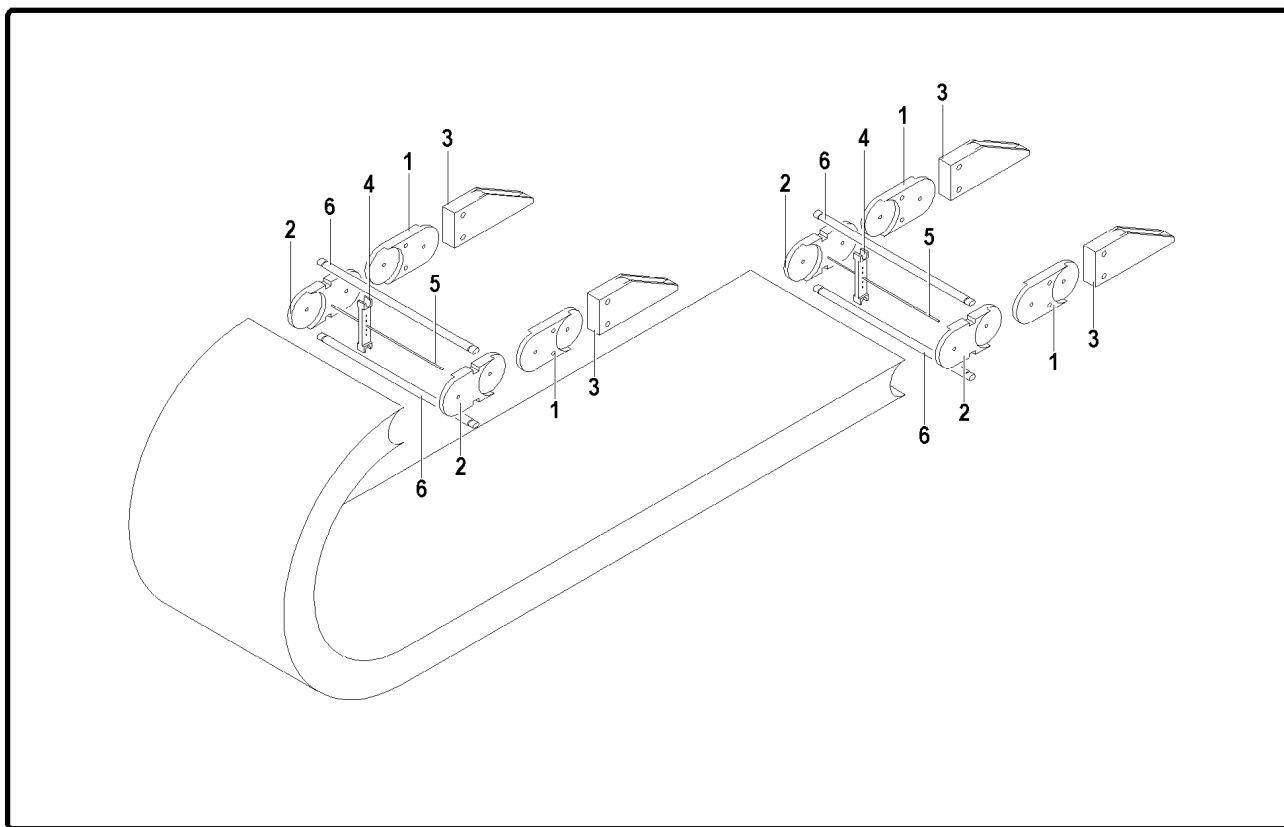


- | | |
|----|----------------------|
| 1 | 2204A0082 |
| 2 | 0912A0109 |
| 3 | 1208A0697V |
| 6 | 270708100 |
| 9 | 080659401 |
| 10 | 302517500 - 6X6X20 |
| 11 | 0922A0090 |
| 12 | 290303900 |
| 12 | 311403900 - G26X34X4 |
| 13 | 311403900 - G26X34X4 |
| 14 | 0815A0059 |
| 16 | 0804A0086 |
| 17 | 301700900 - M17X1 |
| 18 | 0801A0090 |
| 19 | 2701A0180 |
| 20 | 0922A0091 |
| 21 | 0806A0276 |

M0161A00 - AXIS Z DRIVE - 40190 - ROVER 22/24

POSITION	DRAWING/COMPONENT	DESCRIPTION
1	2204A0082	MOTOR
2	0912A0109	Z AXIS BOX
3	1208A0697V	COVER
6	270708100	KEYING DEVICE
9	080659401	SPACER
10	302517500	TONGUE - 6X6X20
11	0922A0090	PULLEY
12	290303900	BEARING
12	311403900	RING - G26X34X4
13	311403900	RING - G26X34X4
14	0815A0059	BALL SCREW
16	0804A0086	RING NUT
17	301700900	RING NUT - M17X1
18	0801A0090	FLANGE
19	2701A0180	BELT
20	0922A0091	PULLEY
21	0806A0276	SPACER

- 1 2004A0216 - KR150-K0900
- 1 2004A0225 - KR175-K0650
- 2 2004A0211 - KR150-K0900
- 2 2004A0224 - KR175-K0650
- 3 2016A0001 - K0650-KR175
- 4 2017A0001 - K0650
- 5 2017A0008 - K0650-BK219
- 5 2017A0014 - K0900.132-R..
- 6 2017A0052 - K0900
- 6 2017A0059 - K0650-L=219
- 7 6415A0075 - K0650-KR17..
- 7 6415A0111 - K0900-KR15..

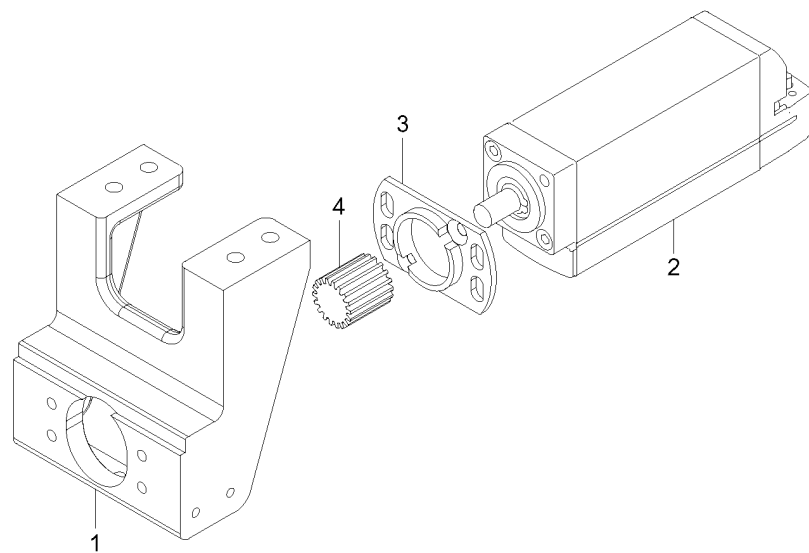


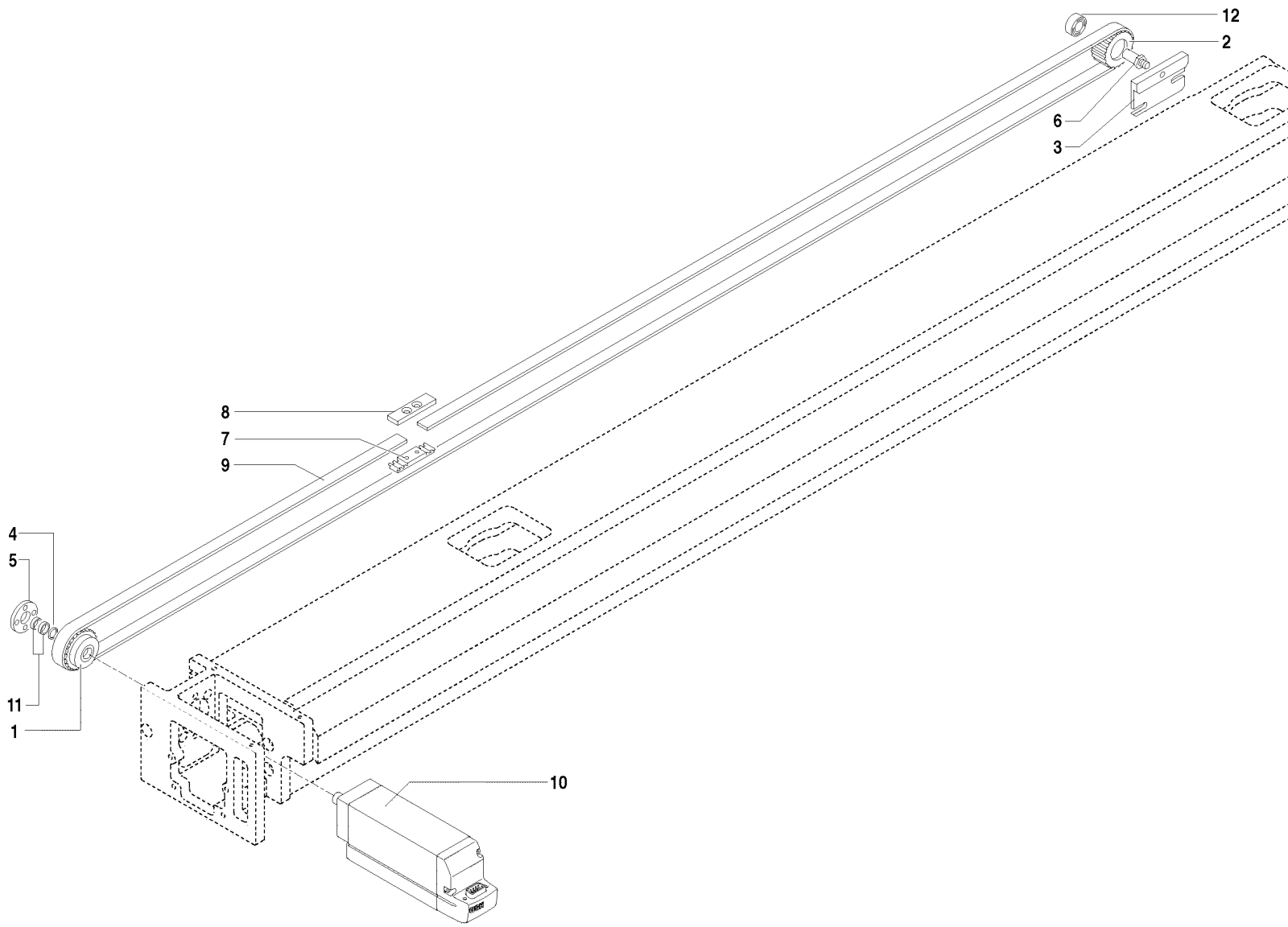
7

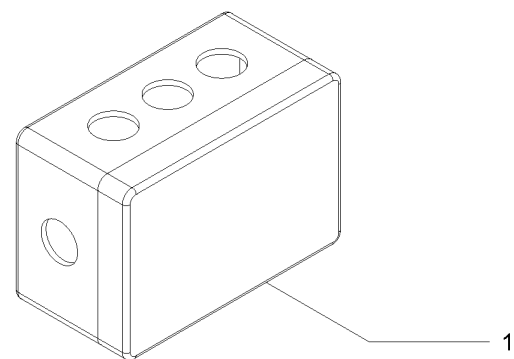
M0162 A
00

M0162A00 - CABLE-HOLDER CHAIN - KS 0650.180 - 40190 - ROVER 22/24

POSITION	DRAWING/COMPONENT	DESCRIPTION
1	2004A0216	LINK - KR150-K0900
1	2004A0225	LINK - KR175-K0650
2	2004A0211	LINK - KR150-K0900
2	2004A0224	LINK - KR175-K0650
3	2016A0001	CHAIN TERMINAL LINK - K0650-KR175
4	2017A0001	SEPARATOR - K0650
5	2017A0008	SEPARATOR - K0650-BK219
5	2017A0014	SEPARATOR - K0900.132-RV
6	2017A0052	CROSSBAR - K0900
6	2017A0059	SEPARATOR - K0650-L=219
7	6415A0075	Z AXIS CABLE-HOLDER CHAIN - K0650-KR175-L=1170
7	6415A0111	Z AXIS CABLE-HOLDER CHAIN - K0900-KR150-L=1980



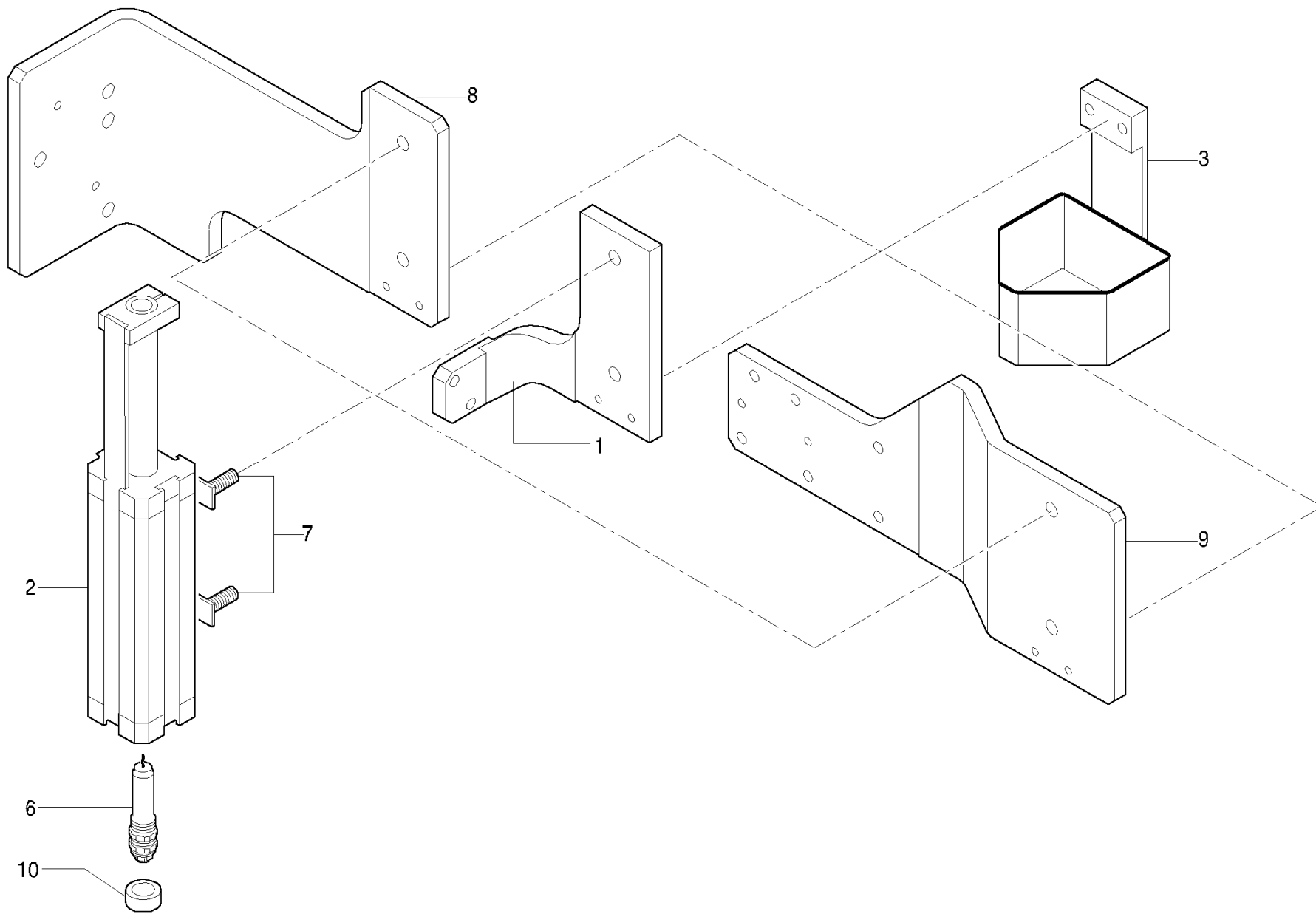


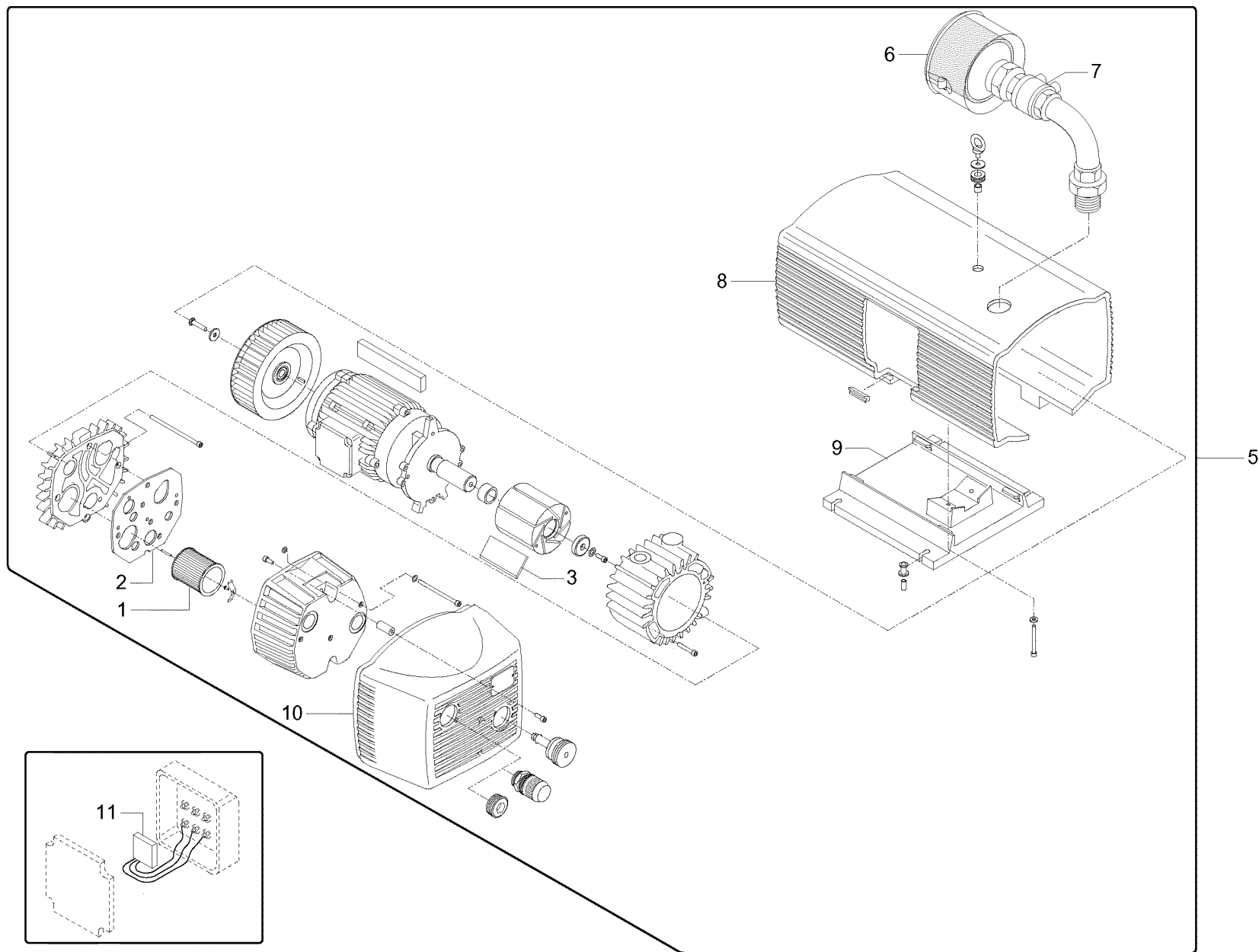


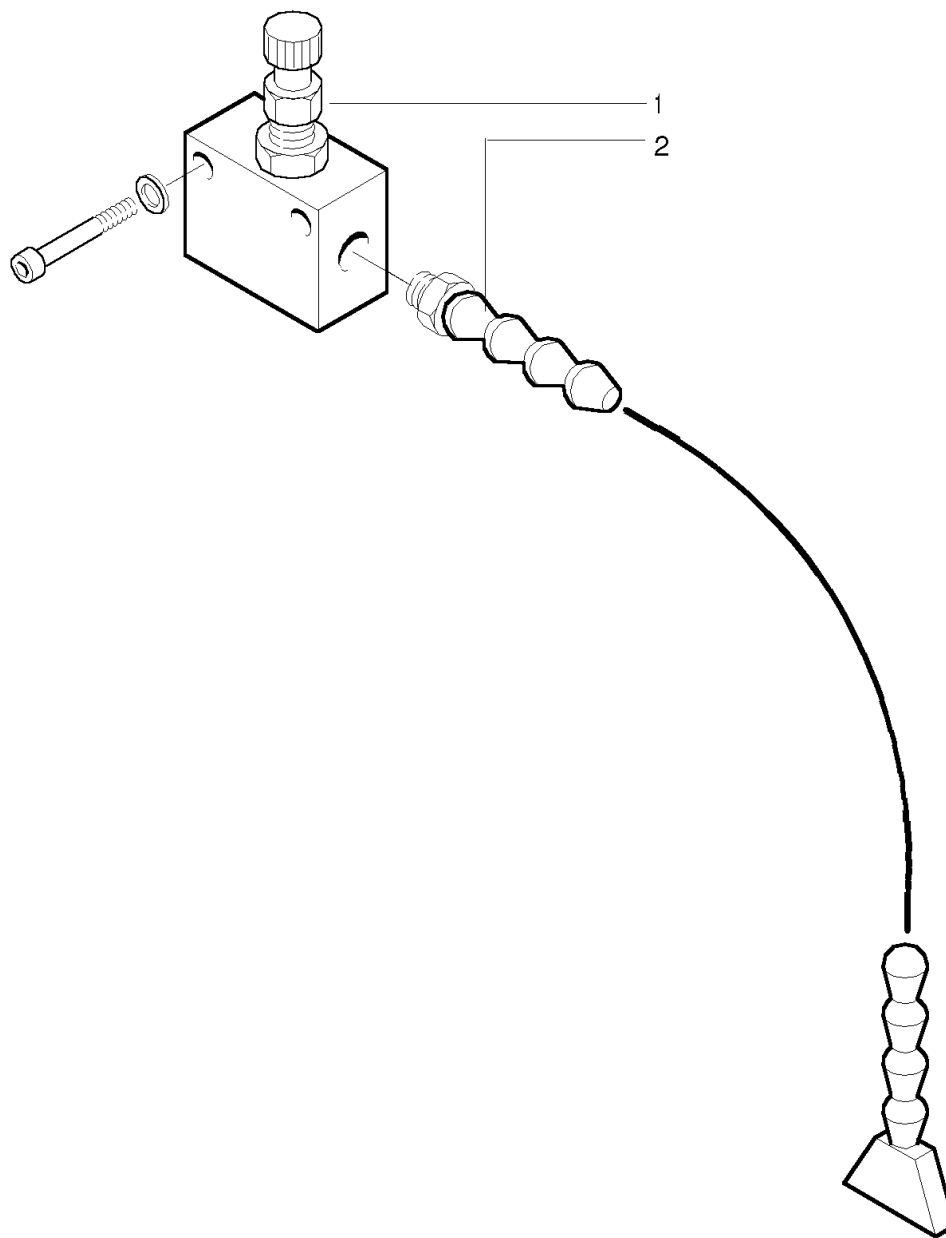
1 1412A0002

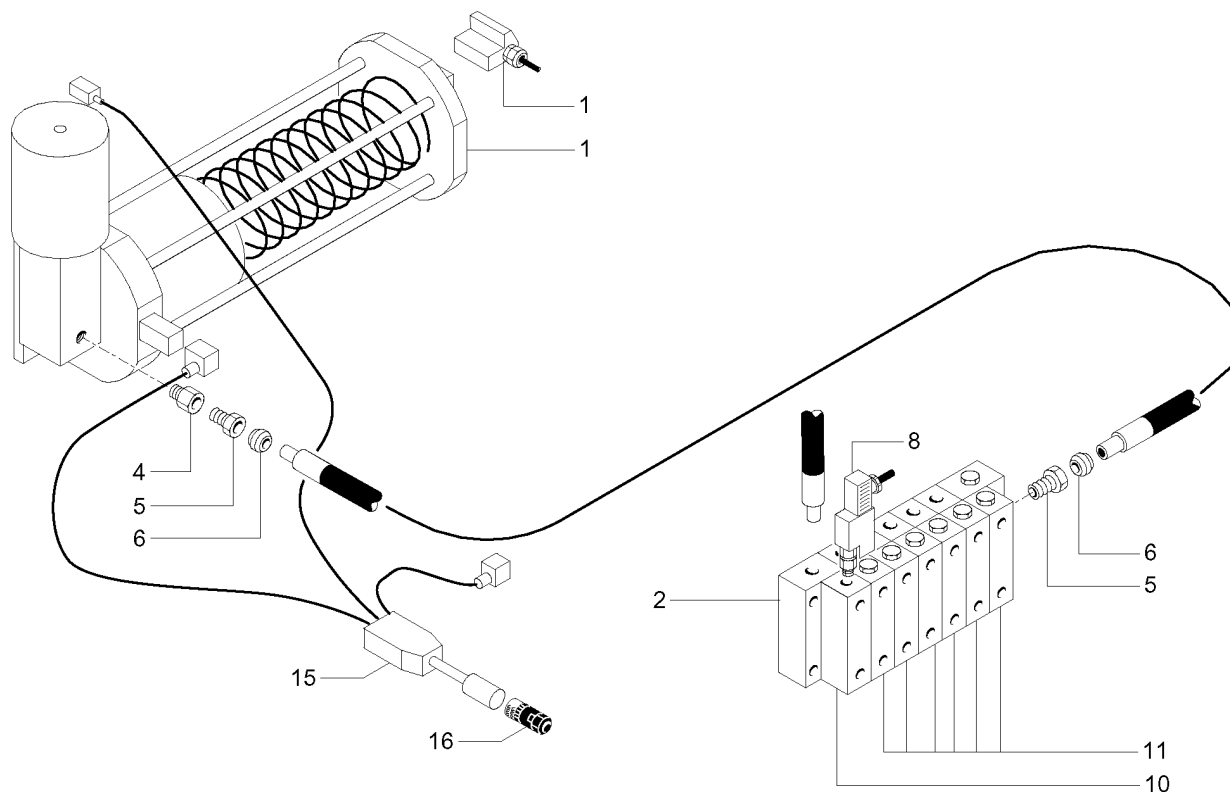
M0188A00 - CONNECTOR BLOCK - 40190 - ROVER 22/24

POSITION	DRAWING/COMPONENT	DESCRIPTION
1	1412A0002	CONNECTOR BLOCK







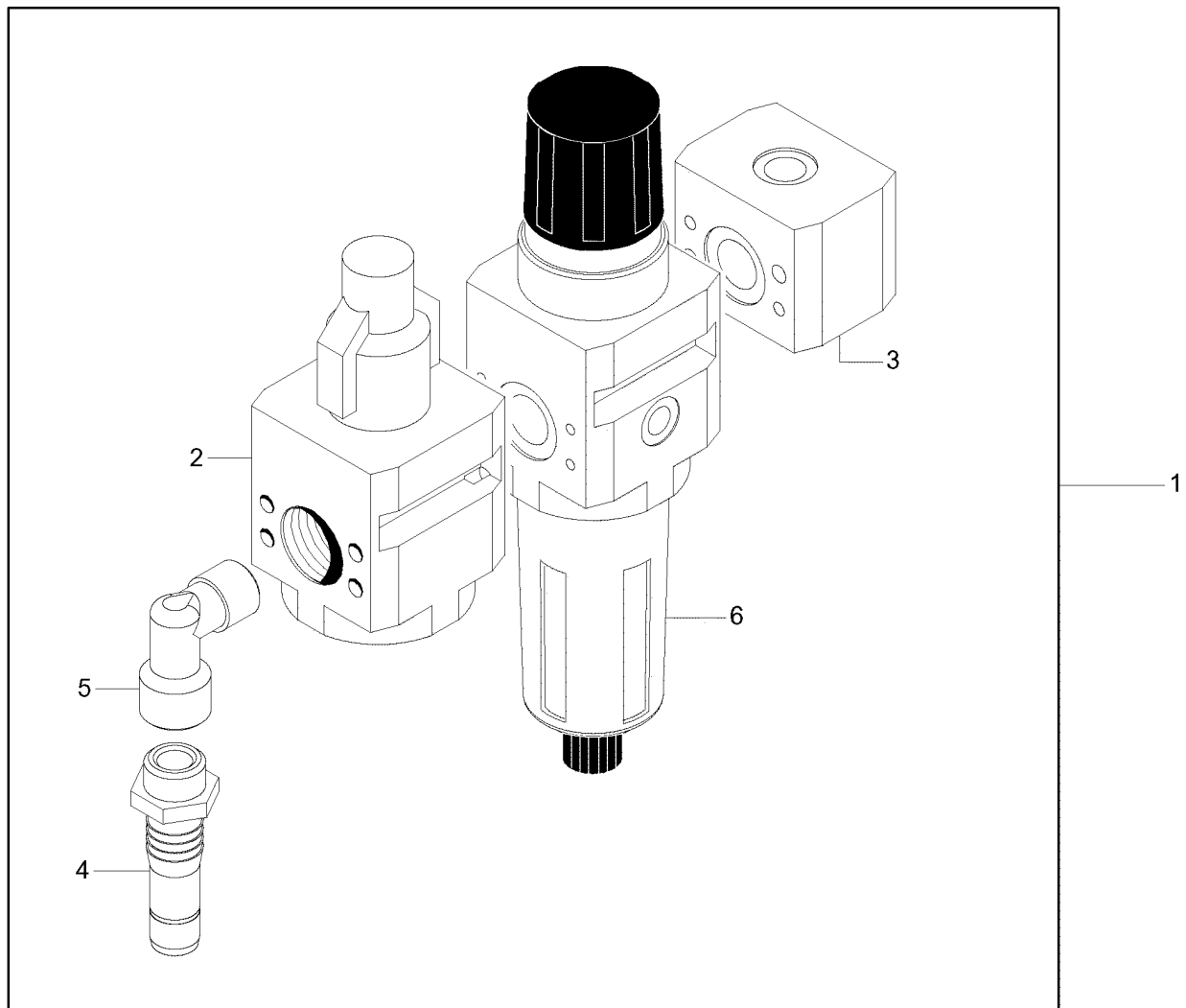


- 1 2602A0001 - 1-2CC-2KG 3..
- 1 N0270A00
- 2 2620A0009 - SM0 7
- 4 2304A0013 - 1/8
- 4 2615A0006 - D=6-G1/4
- 5 2615A0007 - D=6-G1/8
- 6 2614A0002 - D.6
- 8 2104A0017
- 10 2620A0016 - SMO 0,04 CC
- 11 2620A0018 - SMO 0,08 CC
- 14 2104A0018

N0139A07 - LUBRICATION SYSTEM - 40190 - ROVER 22/24

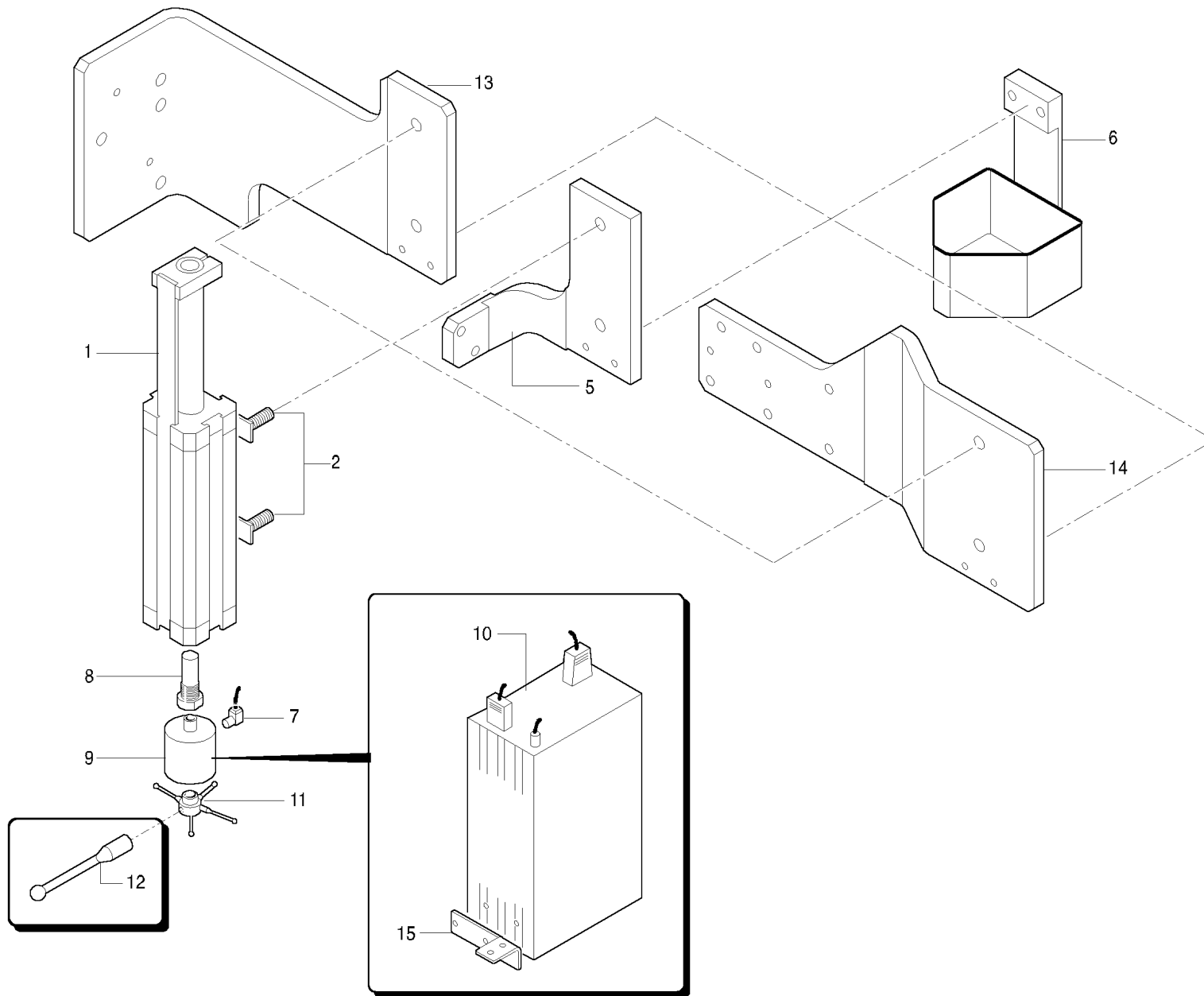
POSITION	DRAWING/COMPONENT	DESCRIPTION
1	2602A0001	LUBRICATION PUMP - 1-2CC-2KG 3413026 DROPSA
1	N0270A00	LUBRICATION PUMP
2	2620A0009	DISTRIBUTOR - SM0 7
4	2304A0013	MICROREGULATOR - 1/8
4	2615A0006	CONNECTOR - D=6-G1/4
5	2615A0007	CONNECTOR - D=6-G1/8
6	2614A0002	OGIVE - D.6
8	2104A0017	SENSOR
10	2620A0016	DISTRIBUTOR - SMO 0,04 CC
11	2620A0018	DISTRIBUTOR - SM0 0,08 CC
14	2104A0018	SENSOR

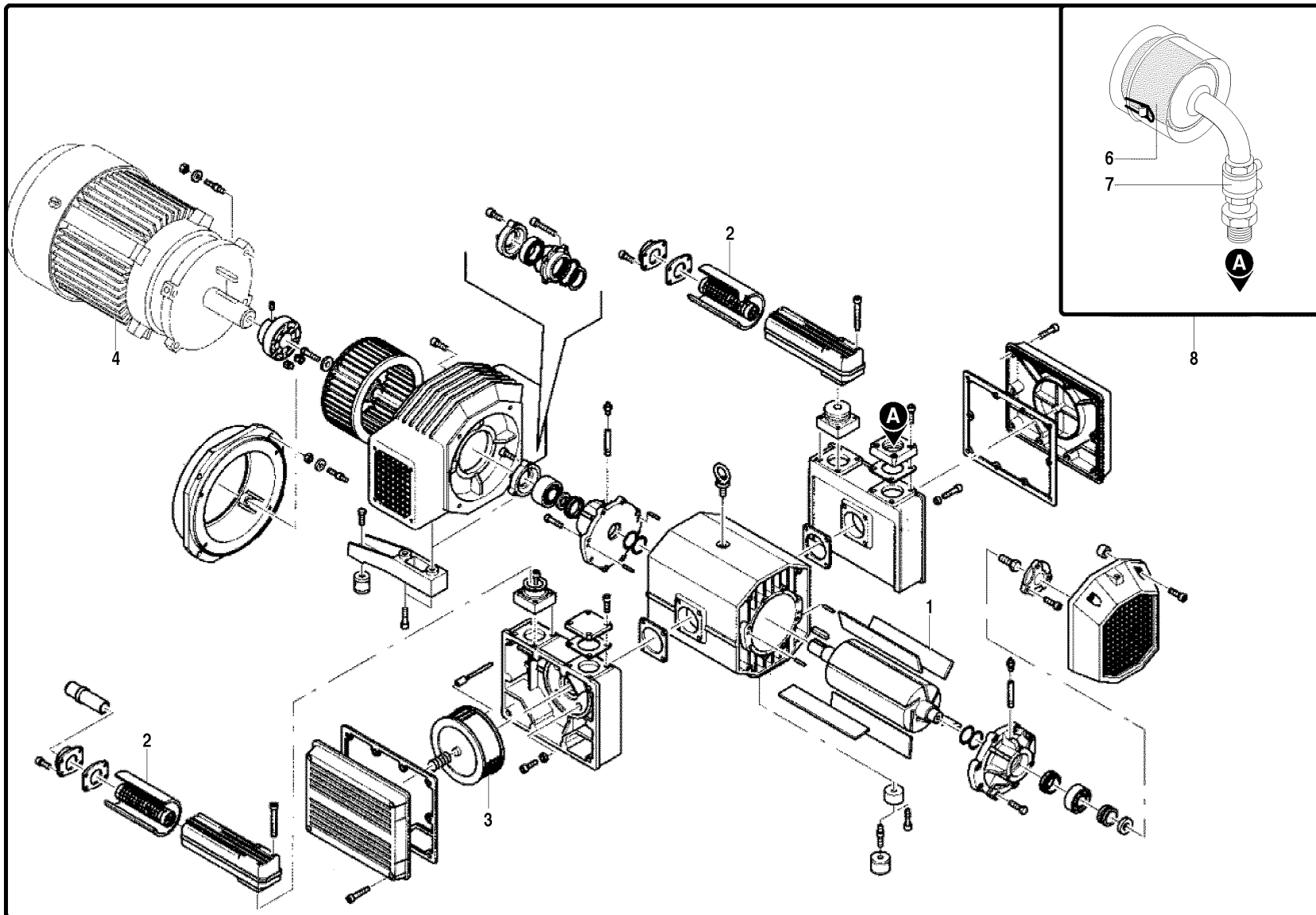
- 1 6420A0027 - NO CE
- 3 2429A0006
- 4 0804A0285
- 5 245016800 - f=3/8
- 6 2422A0115



N0157A01 - MAIN FILTER - 40190 - ROVER 22/24

POSITION	DRAWING/COMPONENT	DESCRIPTION
1	6420A0027	FILTER - NO CE
3	2429A0006	BLOCK
4	0804A0285	CONNECTOR
5	245016800	CONNECTOR - F=3/8
6	2422A0115	FILTER



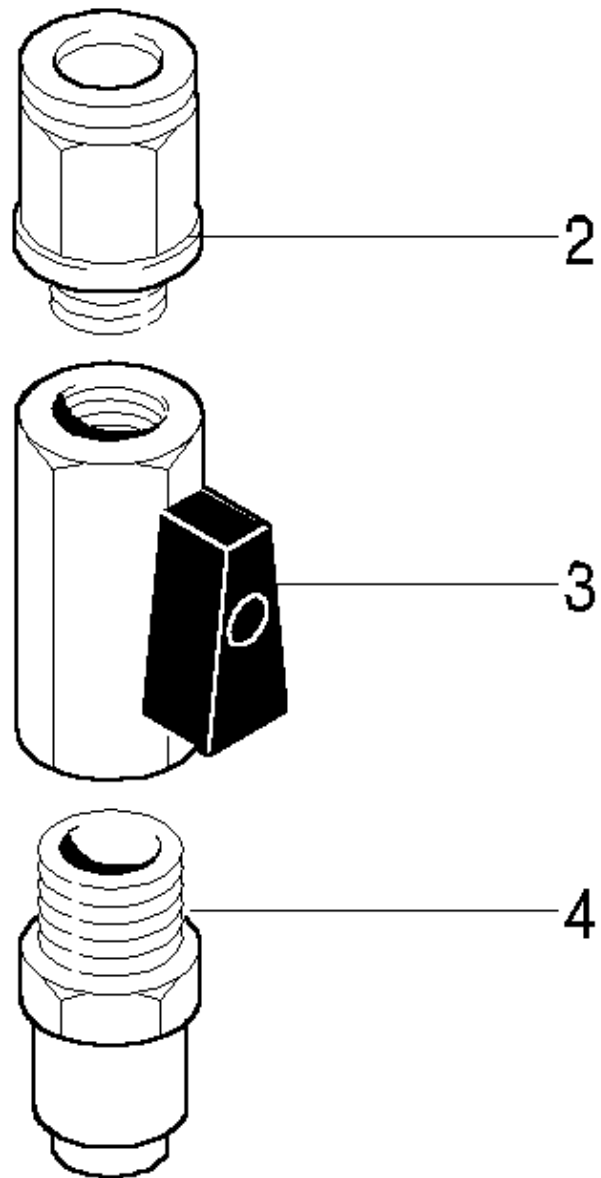


- 1 6414A0003 - VTLF 250 m3..
- 2 2412A0005 - VTLF 250 m3..
- 3 2422A0012
- 4 2202A0025
- 5 6404A0004 - 250 M3/H
- 6 2422A0014
- 7 2413A0014
- 8 6420A0025

N0160A01 - VACUUM PUMP - 250 M3/H - 40190 - ROVER 22/24

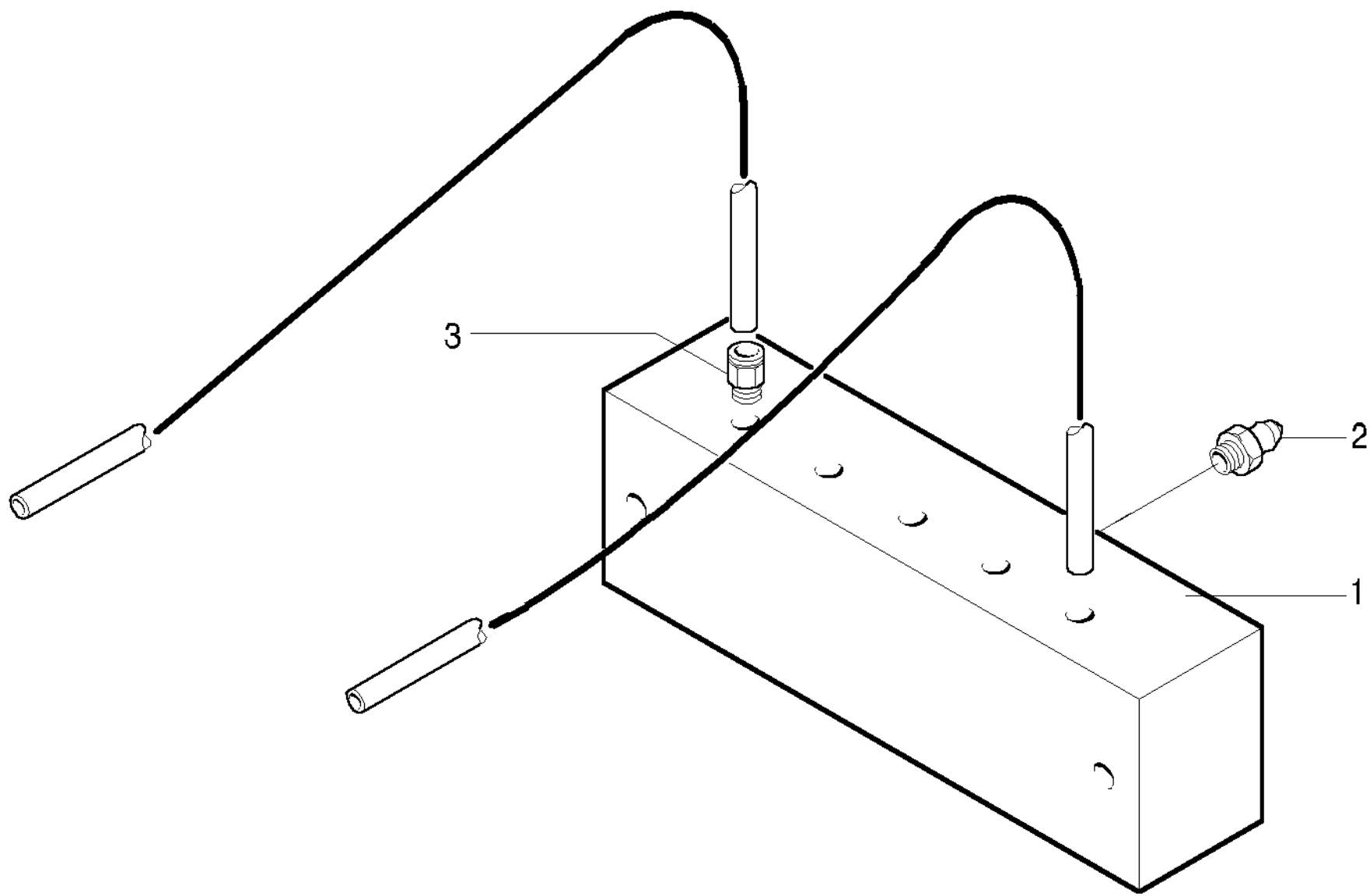
POSITION	DRAWING/COMPONENT	DESCRIPTION
1	6414A0003	BLADE - VTLF 250 M3/H
2	2412A0005	SILENCER - VTLF 250 M3/H
3	2422A0012	FILTER
4	2202A0025	MOTOR
5	6404A0004	VACUUM PUMP - 250 M3/H
6	2422A0014	CARTRIDGE
7	2413A0014	VALVE
8	6420A0025	FILTER

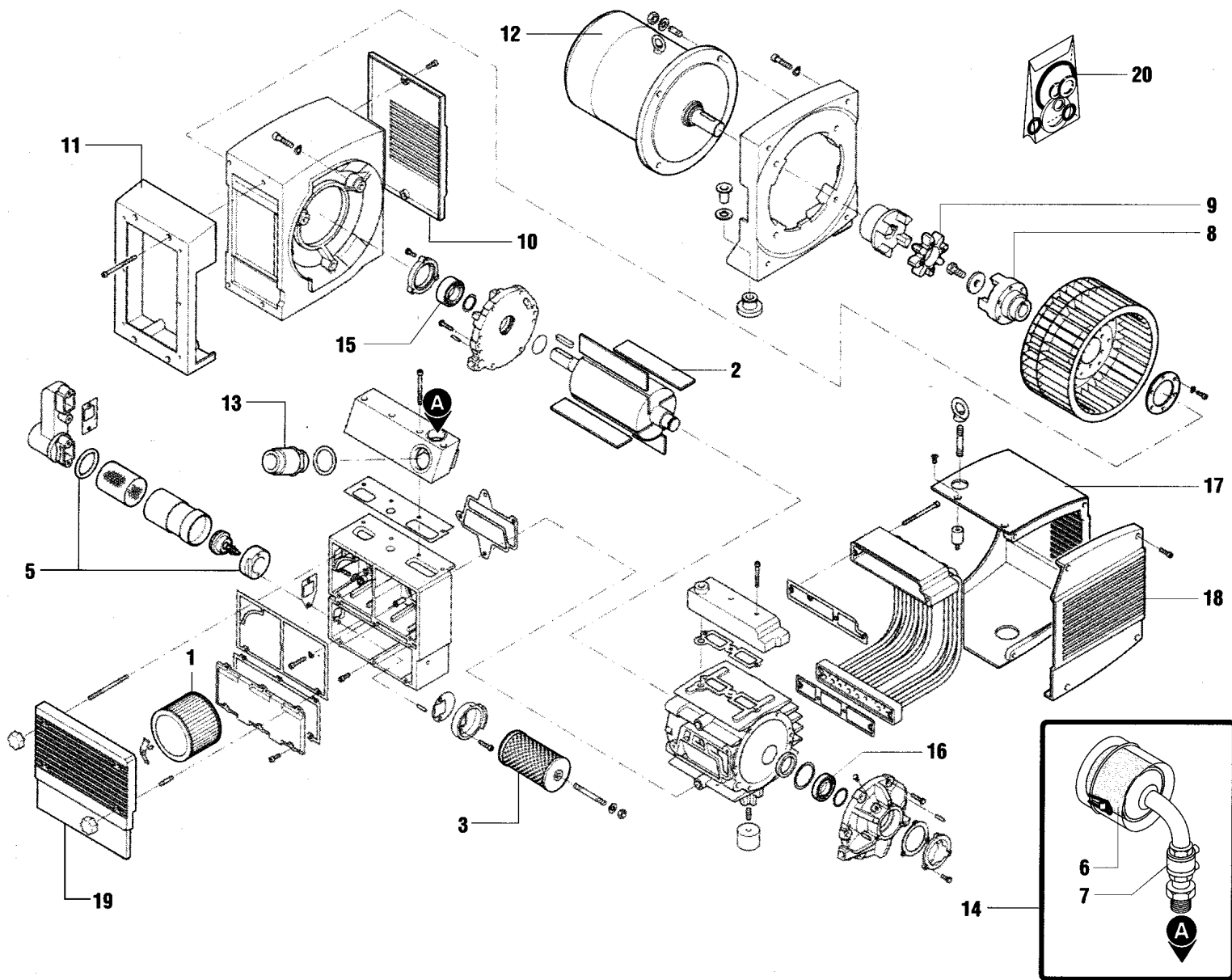
- 2 245101000 - D=8 F=1/4
- 3 241503300 - f=1/4
- 4 2414A0001 - F=1/4

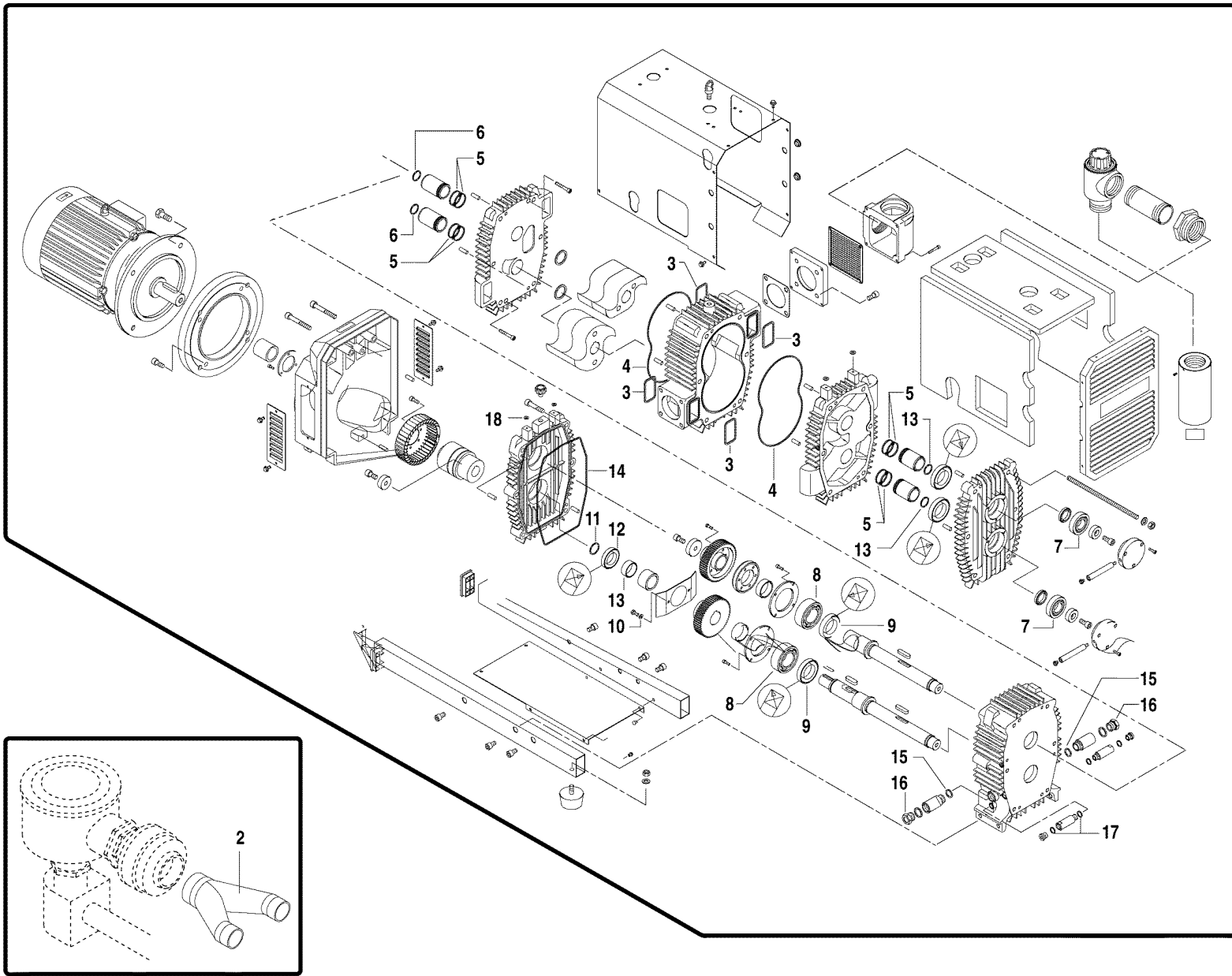


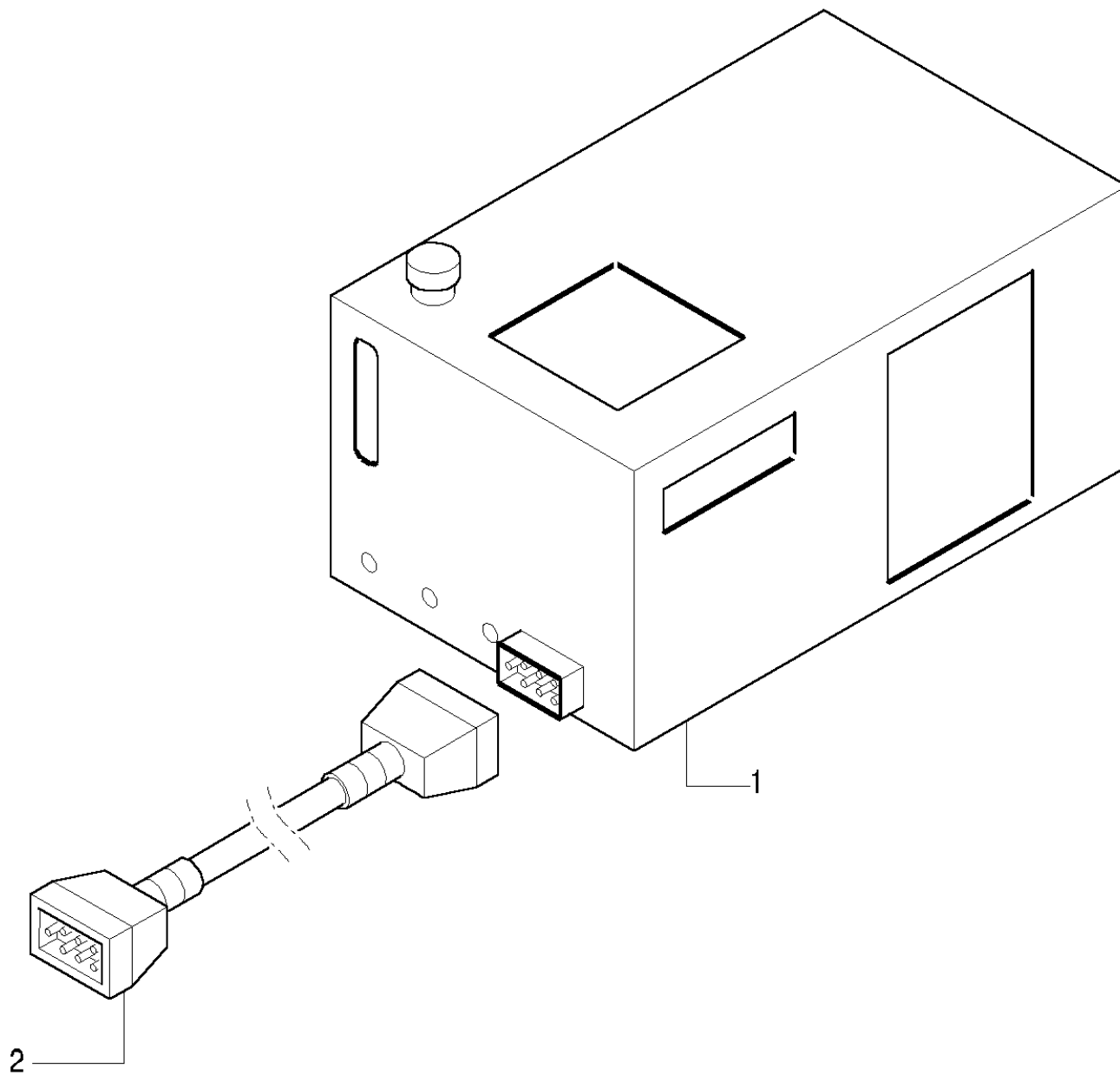
N0178A02 - BLOWER - 40190 - ROVER 22/24

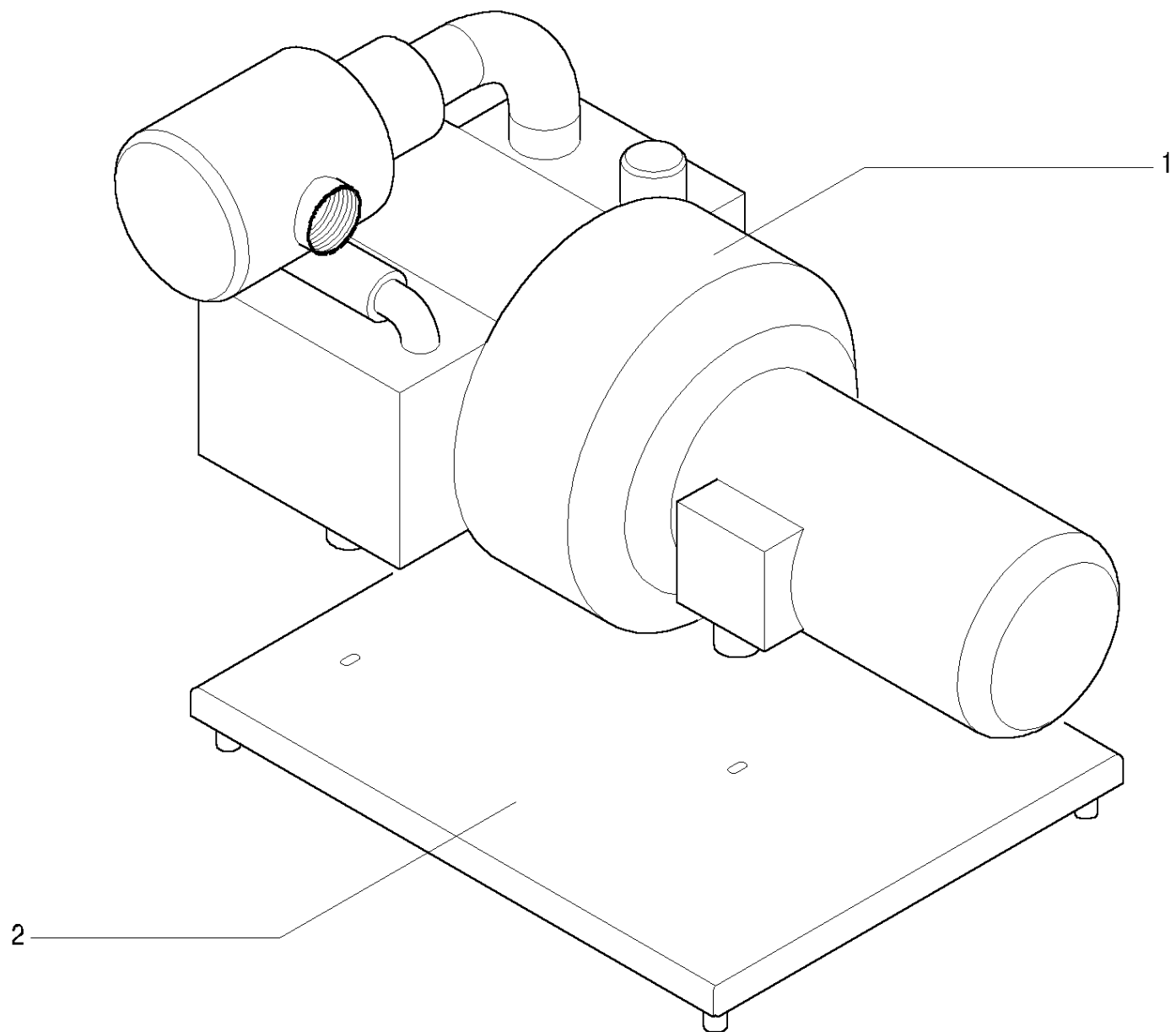
POSITION	DRAWING/COMPONENT	DESCRIPTION
2	245101000	CONNECTOR - D=8 F=1/4
3	241503300	TAP - F=1/4
4	2414A0001	NOZZLE - F=1/4







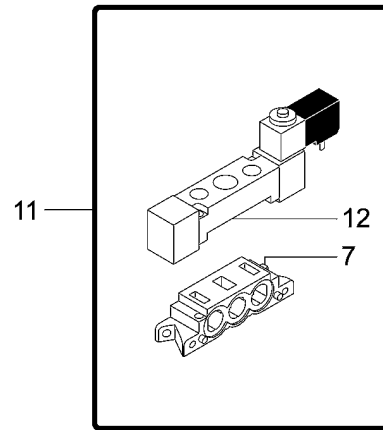
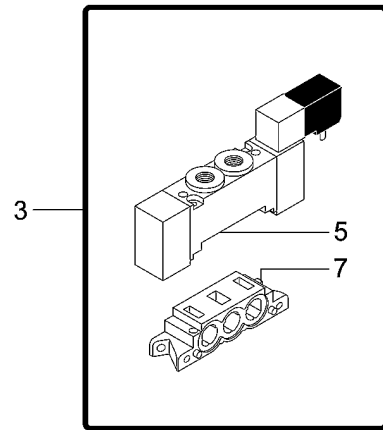
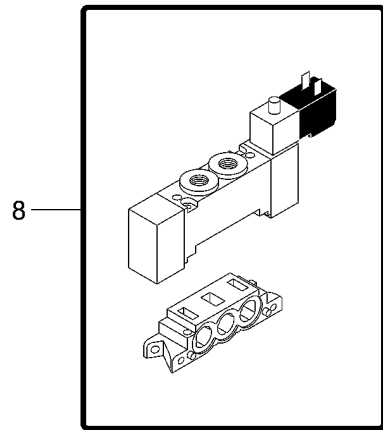
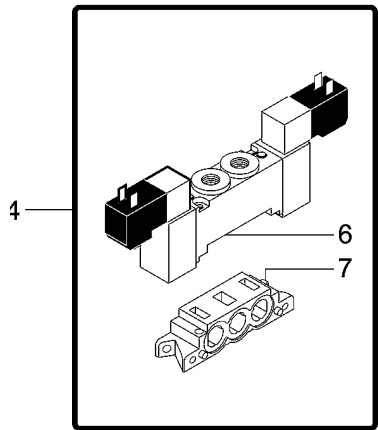
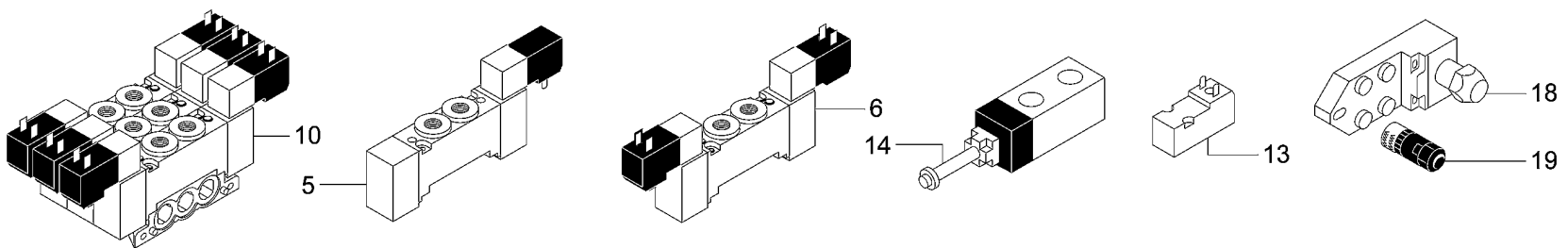
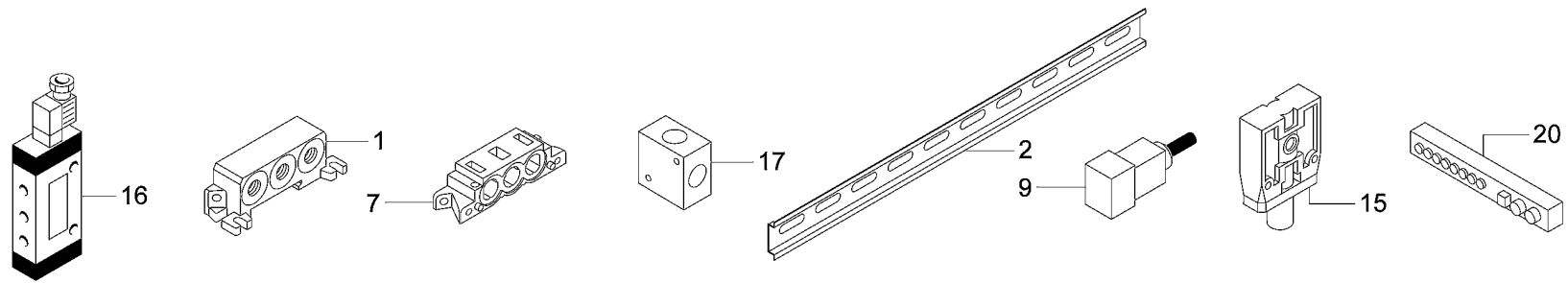




- 1 N0105A06 - 40 M3/H
- 1 N0160A01 - 250 M3/H
- 1 N0189A02 - 90 M3/H
- 1 N0195A01 - 500 M3/H

N0211A00 - VACUUM PUMP - 40190 - ROVER 22/24

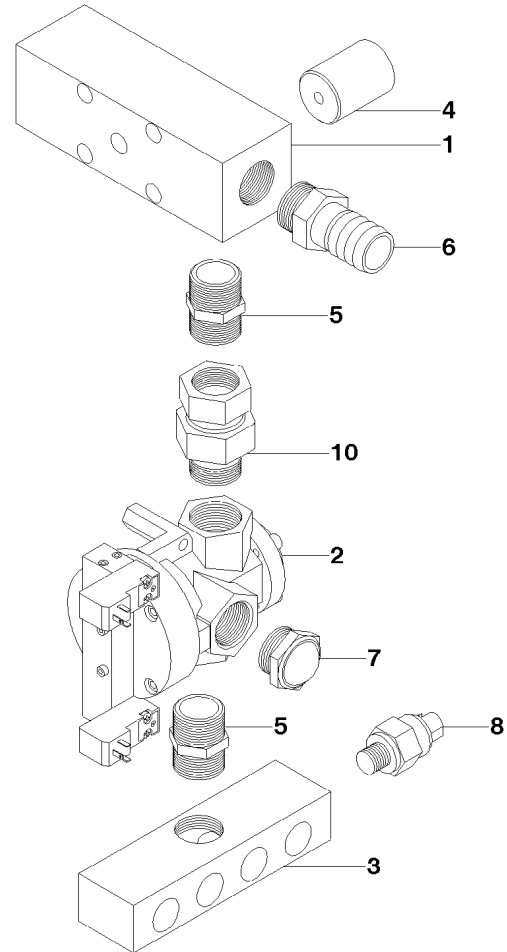
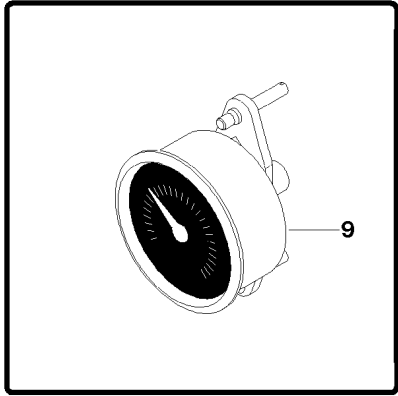
POSITION	DRAWING/COMPONENT	DESCRIPTION
1	N0105A06	VACUUM PUMP - 40 M3/H
1	N0160A01	VACUUM PUMP - 250 M3/H
1	N0189A02	VACUUM PUMP - 90 M3/H
1	N0195A01	VACUUM PUMP - 500 M3/H

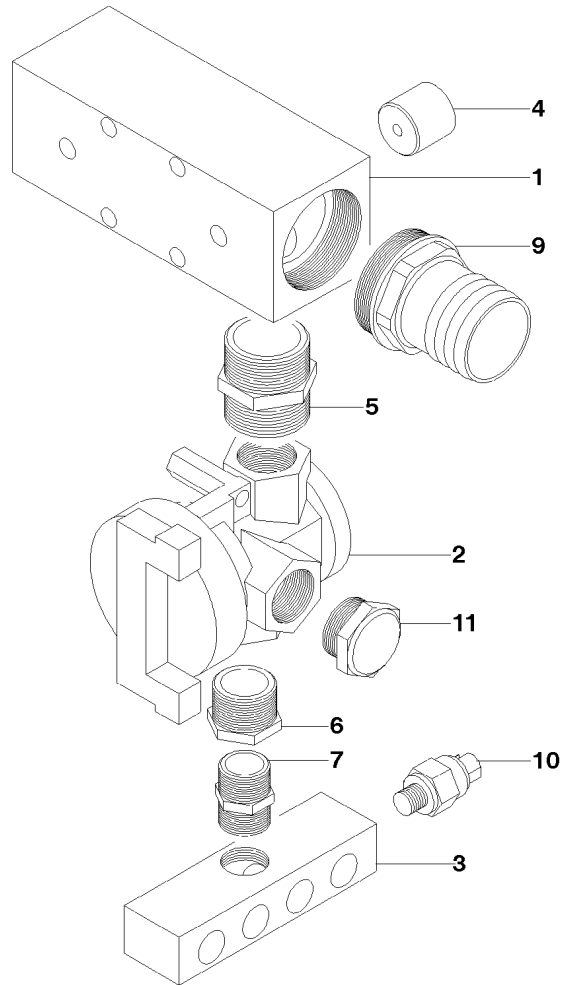
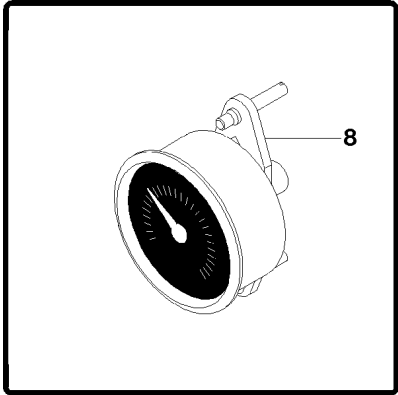


- 1 2307A0001 - DX
- 1 2307A0002 - SX
- 2 214200800
- 3 6425A0022 - 5/2 G1/8
- 4 6425A0023 - 5/2 G1/8
- 4 6425A0091 - 5/3 G1/8
- 5 6425A0016 - 5/2 G1/8
- 6 6425A0015 - 5/2 G1/8
- 6 6425A0090 - 5/3 G1/8
- 7 2306A0009 - 2430.01
- 9 6480A0003 - L=2,1 m
- 13 2304A0169 - 1/8 NA
- 15 2304A0168 - 104.32.11.1...

N0219A02 - ELECTROVALVE - 40190 - ROVER 22/24

POSITION	DRAWING/COMPONENT	DESCRIPTION
1	2307A0001	FEEDER - DX
1	2307A0002	FEEDER - SX
2	214200800	SUPPORT
3	6425A0022	ELECTROVALVE - 5/2 G1/8
4	6425A0023	ELECTROVALVE - 5/2 G1/8
4	6425A0091	ELECTROVALVE - 5/3 G1/8
5	6425A0016	ELECTROVALVE - 5/2 G1/8
6	6425A0015	ELECTROVALVE - 5/2 G1/8
6	6425A0090	ELECTROVALVE - 5/3 G1/8
7	2306A0009	BASE - 2430.01
9	6480A0003	THREE-POLE OUTLET - L=2,1 M
13	2304A0169	ELECTROVALVE - 1/8 NA
15	2304A0168	VALVE - 104.32.11.1.LC

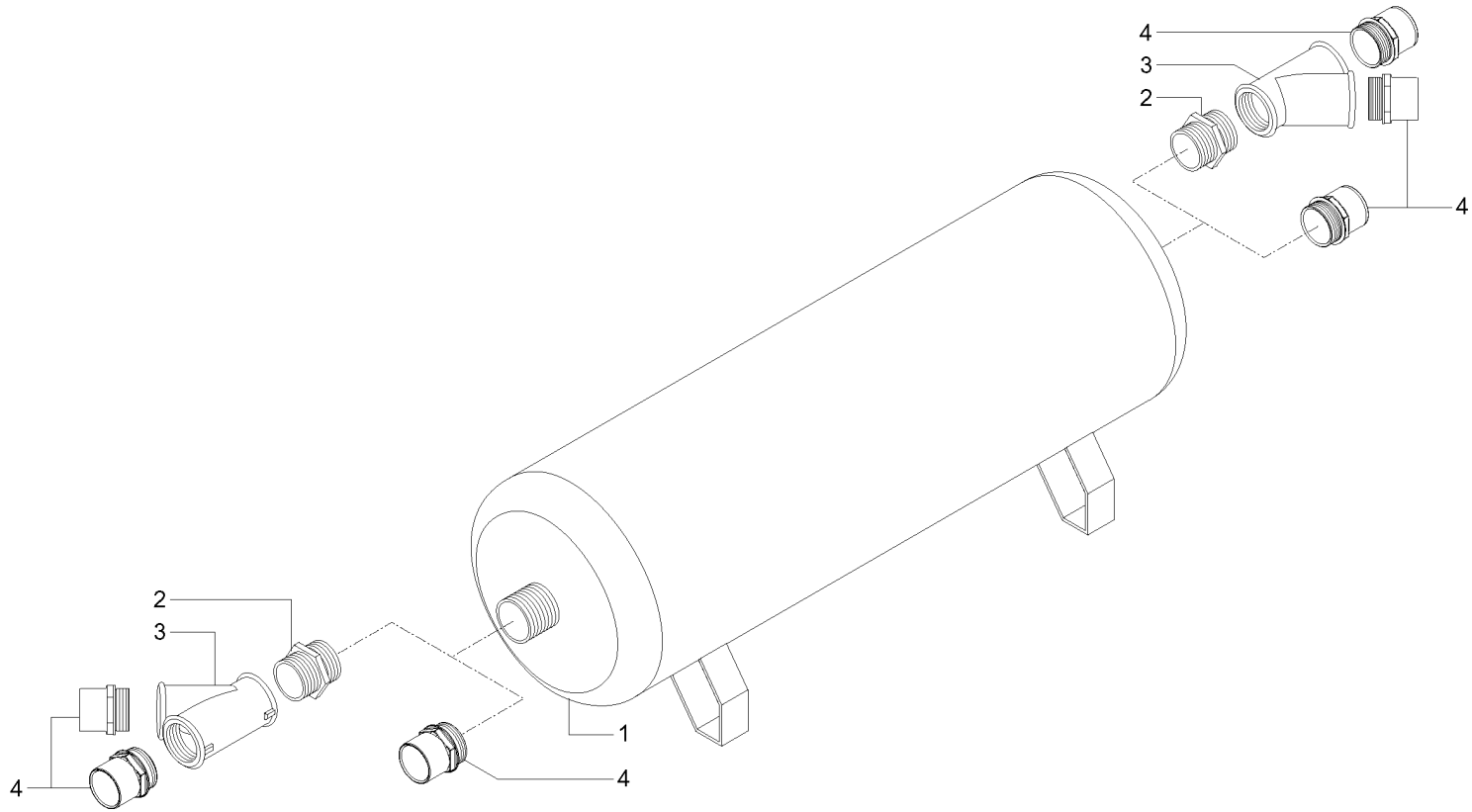


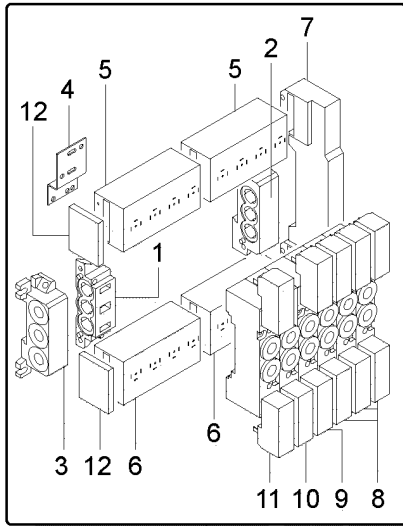


- 1 0913A0083 - VTB 250 M3/H
- 2 2304A0020 - VTB 250 M3/H
- 3 0913A0116 - G=3/8
- 4 0806A0346
- 5 2450A3495 - F=1 F1=1
- 6 2450A3212 - f=3/4 F=1
- 7 245511300 - G3/4 inches
- 8 2424A0005
- 9 1401A0071 - D=50
- 10 2426A0004 - 3.1.721 G=1/4
- 11 2412A0002 - F=1

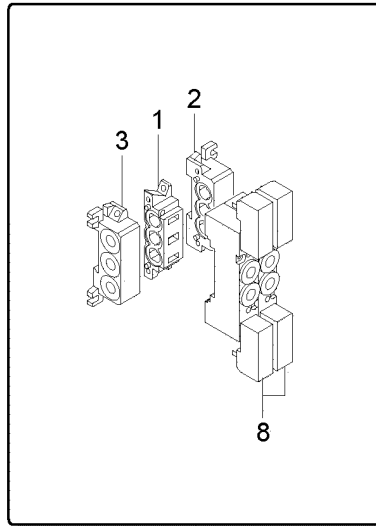
N0227A00 - VACUUM SYSTEM - 250 M3/H - 40190 - ROVER 22/24

POSITION	DRAWING/COMPONENT	DESCRIPTION
1	0913A0083	DISTRIBUTOR - VTB 250 M3/H
2	2304A0020	ELECTROVALVE - VTB 250 M3/H
3	0913A0116	DISTRIBUTOR - G=3/8
4	0806A0346	SPACER
5	2450A3495	NIPPLE - F=1 F1=1
6	2450A3212	CONNECTOR - F=3/4 F=1
7	245511300	NIPPLE - G3/4 INCHES
8	2424A0005	VACUOMETER
9	1401A0071	FLANGE - D=50
10	2426A0004	VACUOSTAT - 3.1.721 G=1/4
11	2412A0002	SILENCER - F=1

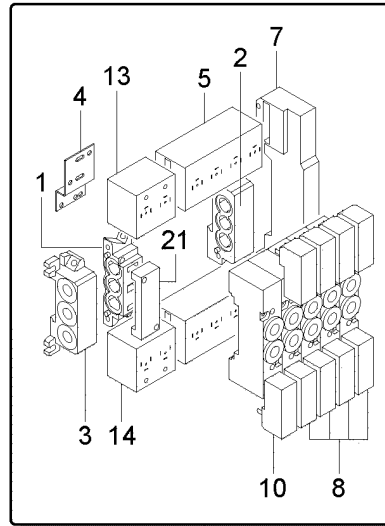




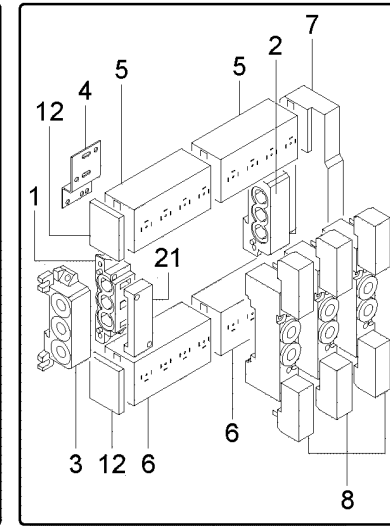
16
19



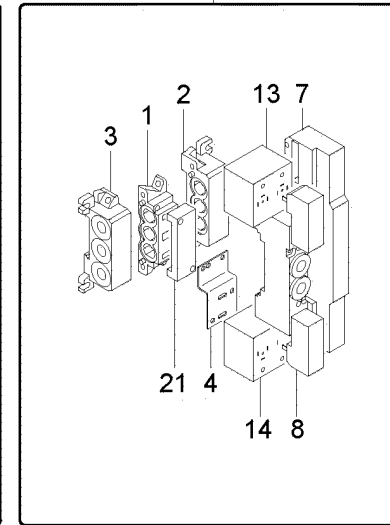
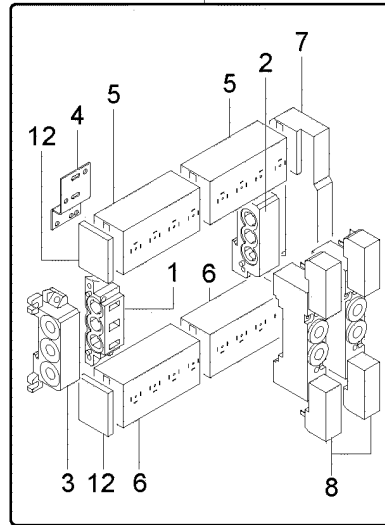
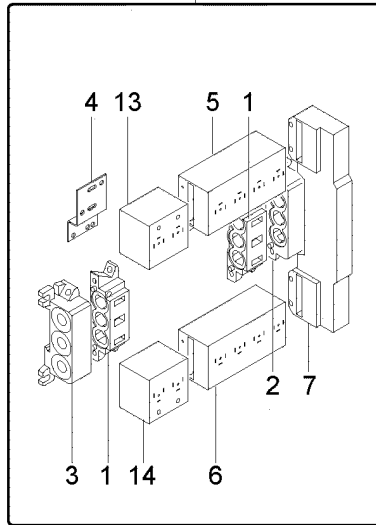
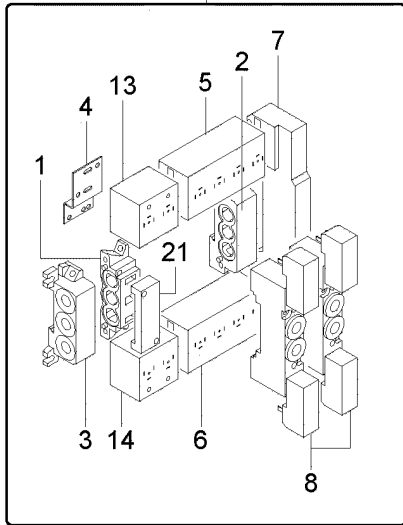
15
23



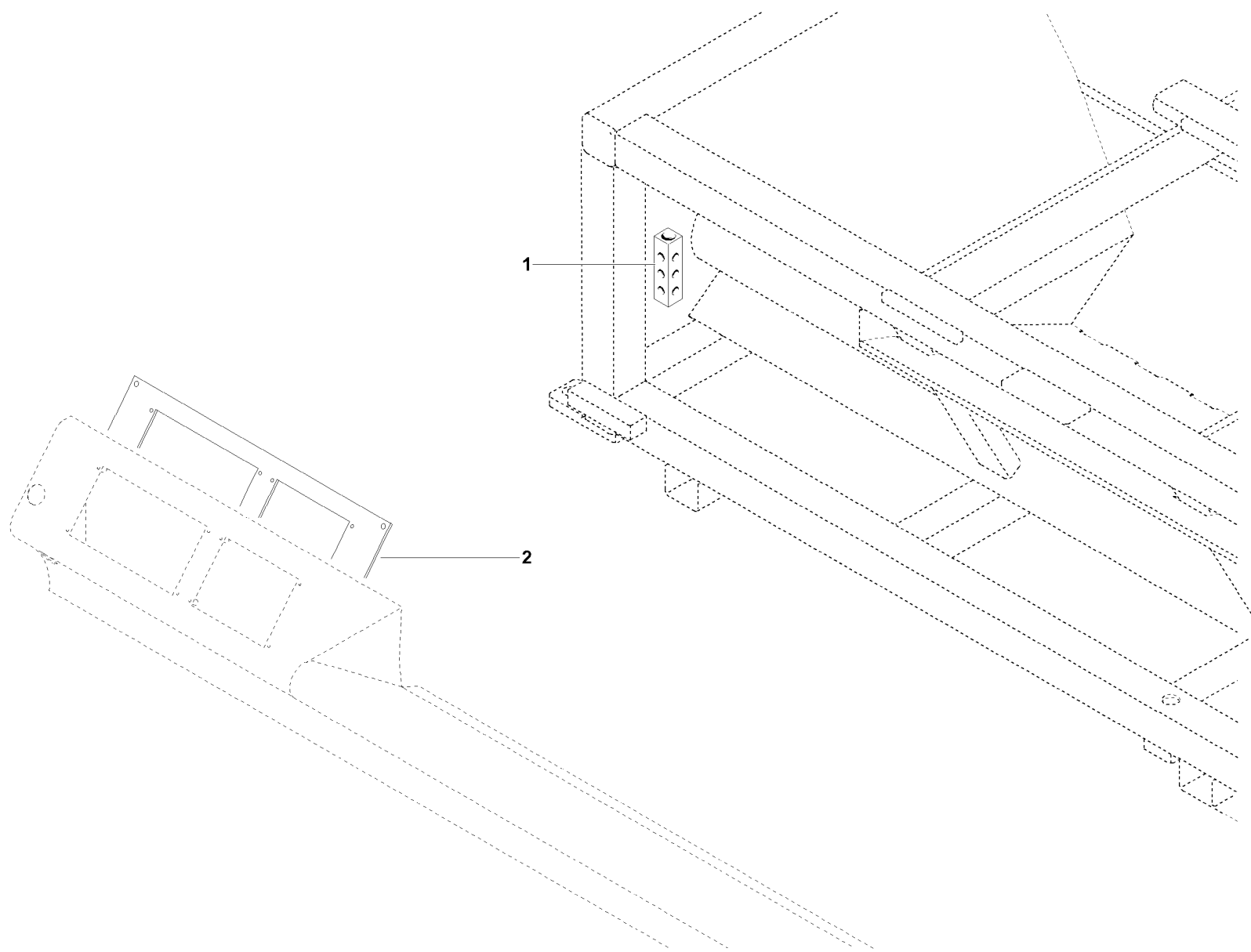
17
22



18
20

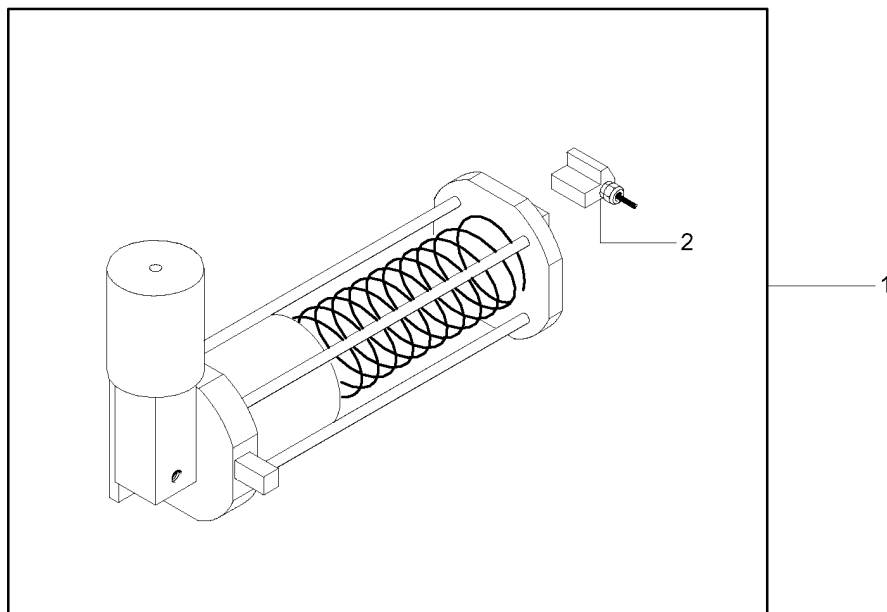


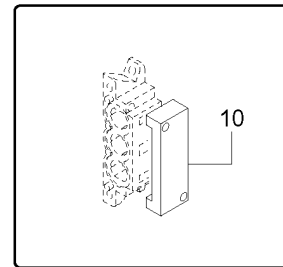
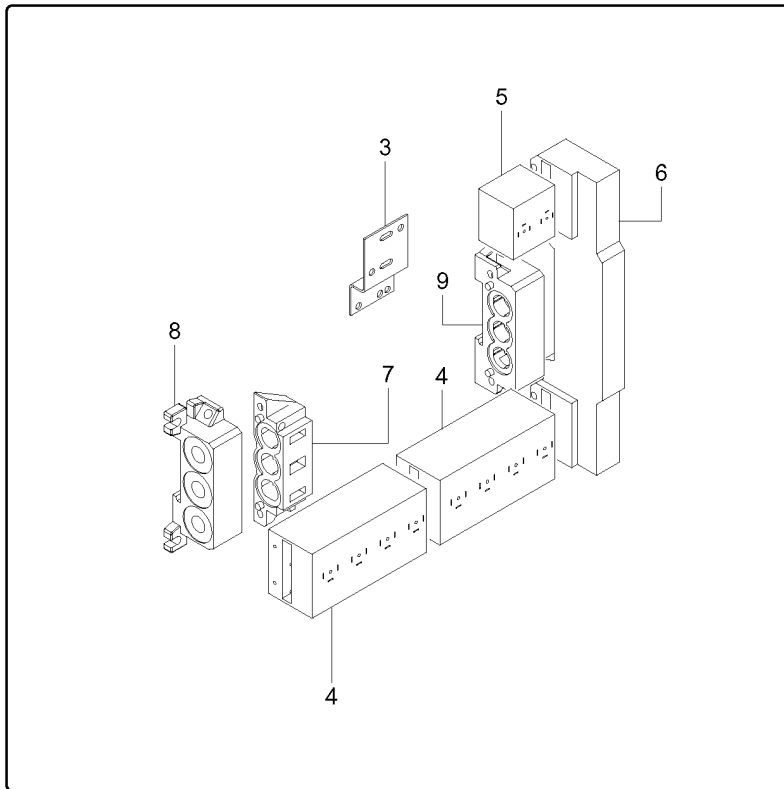
- 1 091309000
- 2 1205A0698V



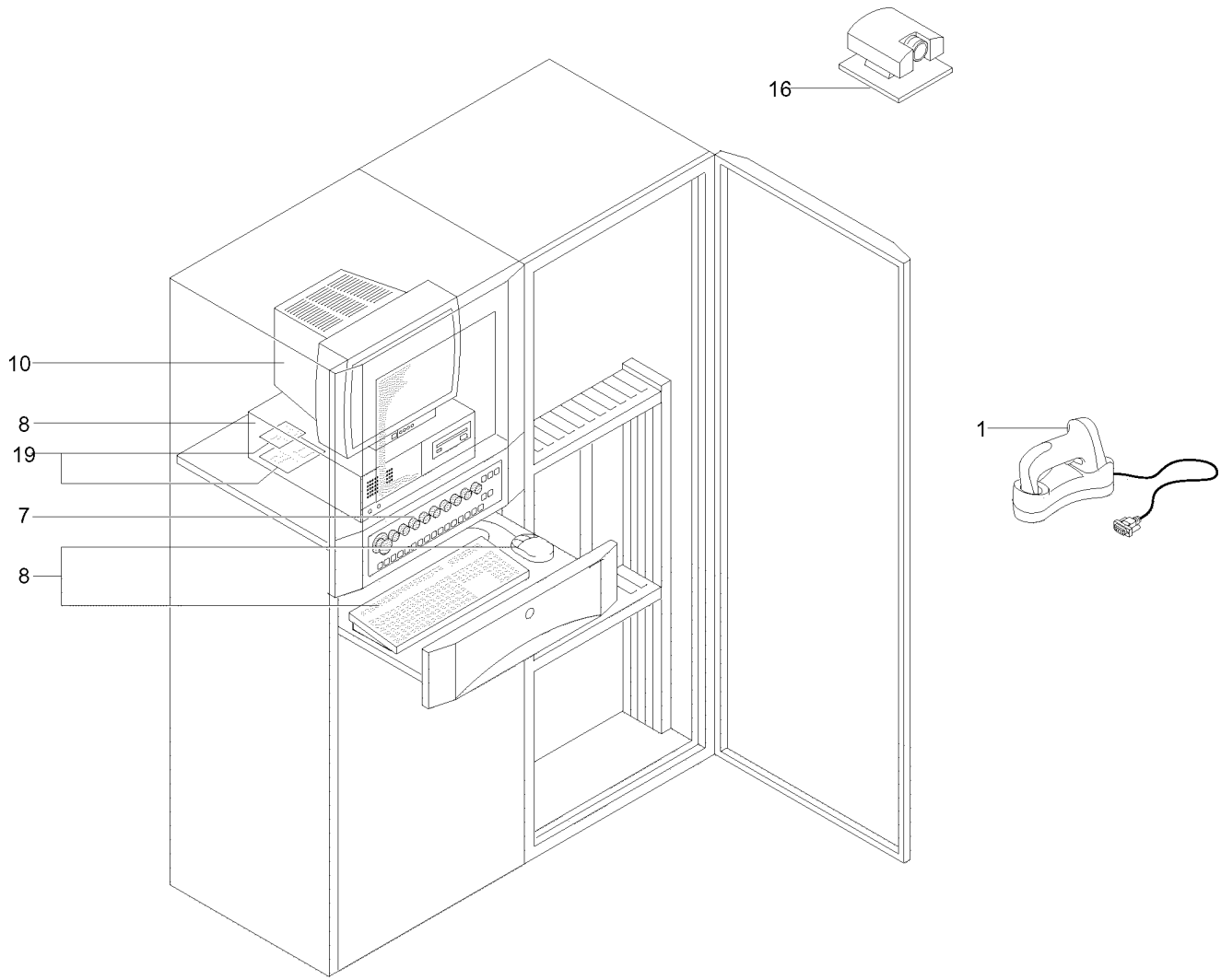
N0240A00 - DISTRIBUTOR - 40190 - ROVER 22/24

POSITION	DRAWING/COMPONENT	DESCRIPTION
1	091309000	DISTRIBUTOR
2	1205A0698V	SUPPORT





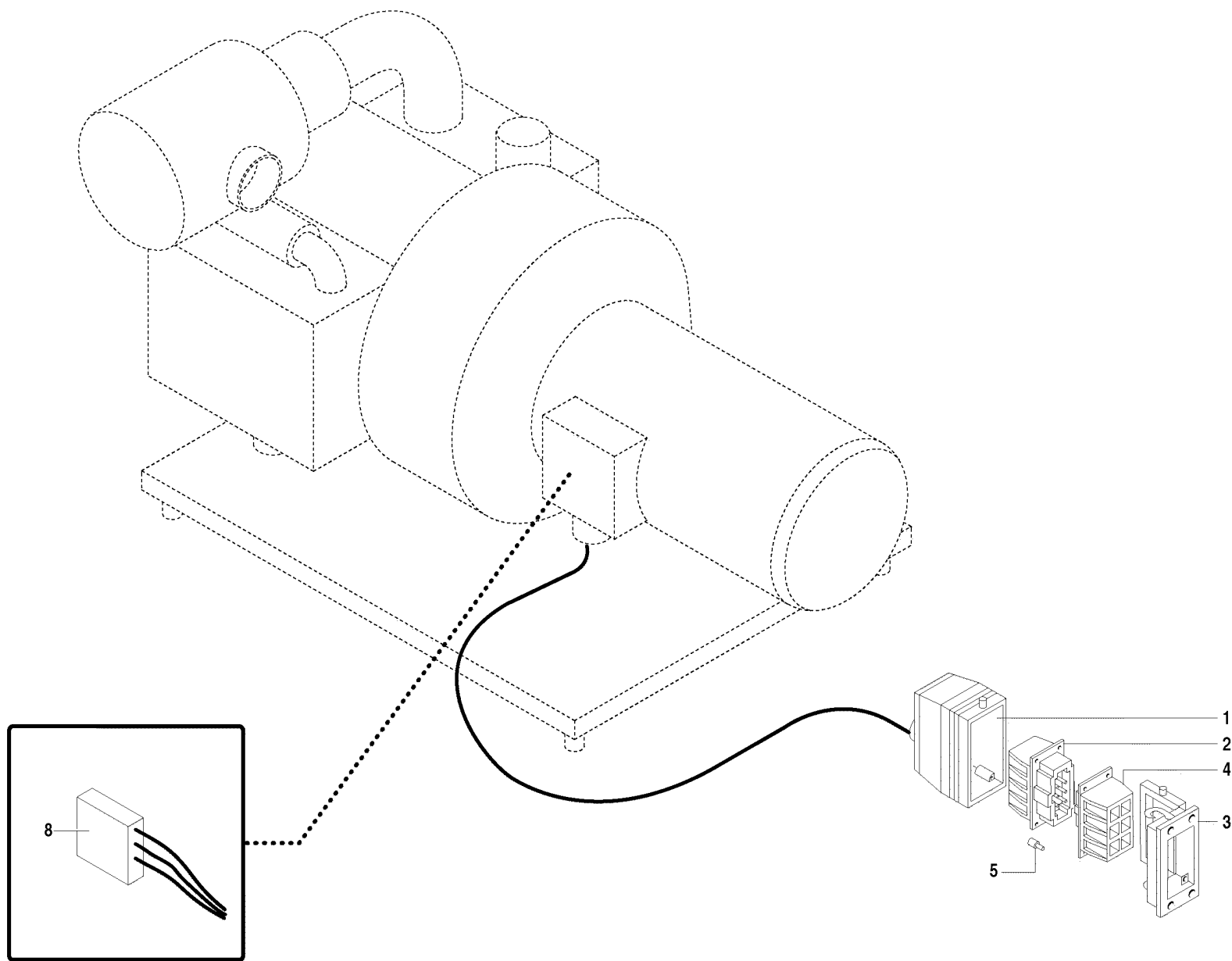
- 1 P0049A00
- 7 2151A0045
- 8 P0029A02
- 10 2151A0022 - CRT 15
- 16 2174A0002
- 19 P0051A00



P0021A05 - CONTROL MODULE UNIT - 40190 - ROVER 22/24

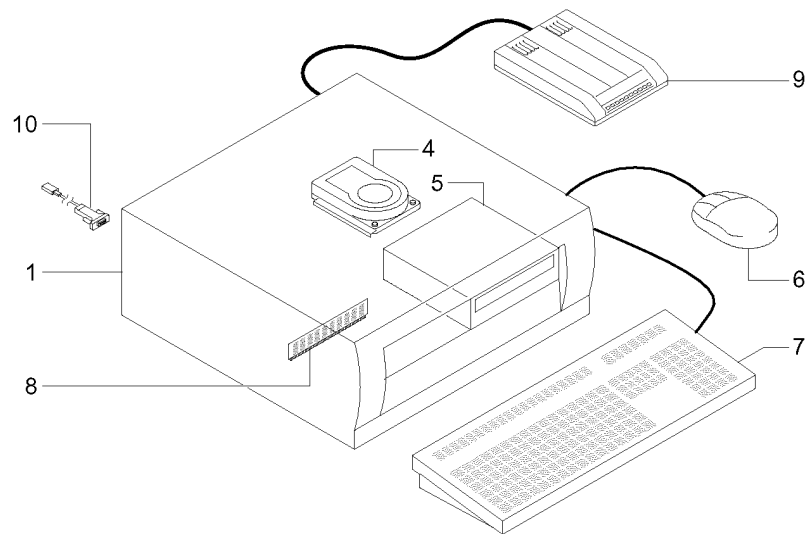
POSITION	DRAWING/COMPONENT	DESCRIPTION
1	P0049A00	BARCODE READER
7	2151A0045	KEYBOARD
8	P0029A02	CONTROL MODULE UNIT
10	2151A0022	MONITOR - CRT 15
16	2174A0002	WEB CAM
19	P0051A00	ELECTRONIC CARD

- 1 2138A0343
- 2 2138A0022
- 3 2138A0344
- 4 2138A0345
- 5 3039A0002
- 8 2163A0046



P0028A01 - CONNECTOR - 40190 - ROVER 22/24

POSITION	DRAWING/COMPONENT	DESCRIPTION
1	2138A0343	INSULATING SHEATH
2	2138A0022	CONTACT ELEMENT
3	2138A0344	INSULATING SHEATH
4	2138A0345	CONTACT ELEMENT
5	3039A0002	PIN
8	2163A0046	FILTRO

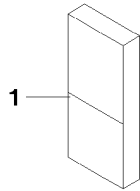


- 4 2167A0068
- 5 2149A0003
- 6 2180A0002
- 7 2151A0023
- 8 2167A0076
- 9 2175A0017

P0029A02 - CONTROL MODULE UNIT - 40190 - ROVER 22/24

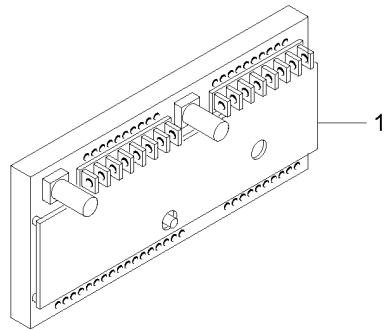
POSITION	DRAWING/COMPONENT	DESCRIPTION
4	2167A0068	HARD DISK
5	2149A0003	CD-ROM
6	2180A0002	MOUSE
7	2151A0023	KEYBOARD
8	2167A0076	RAM MODULE
9	2175A0017	MODEM KIT

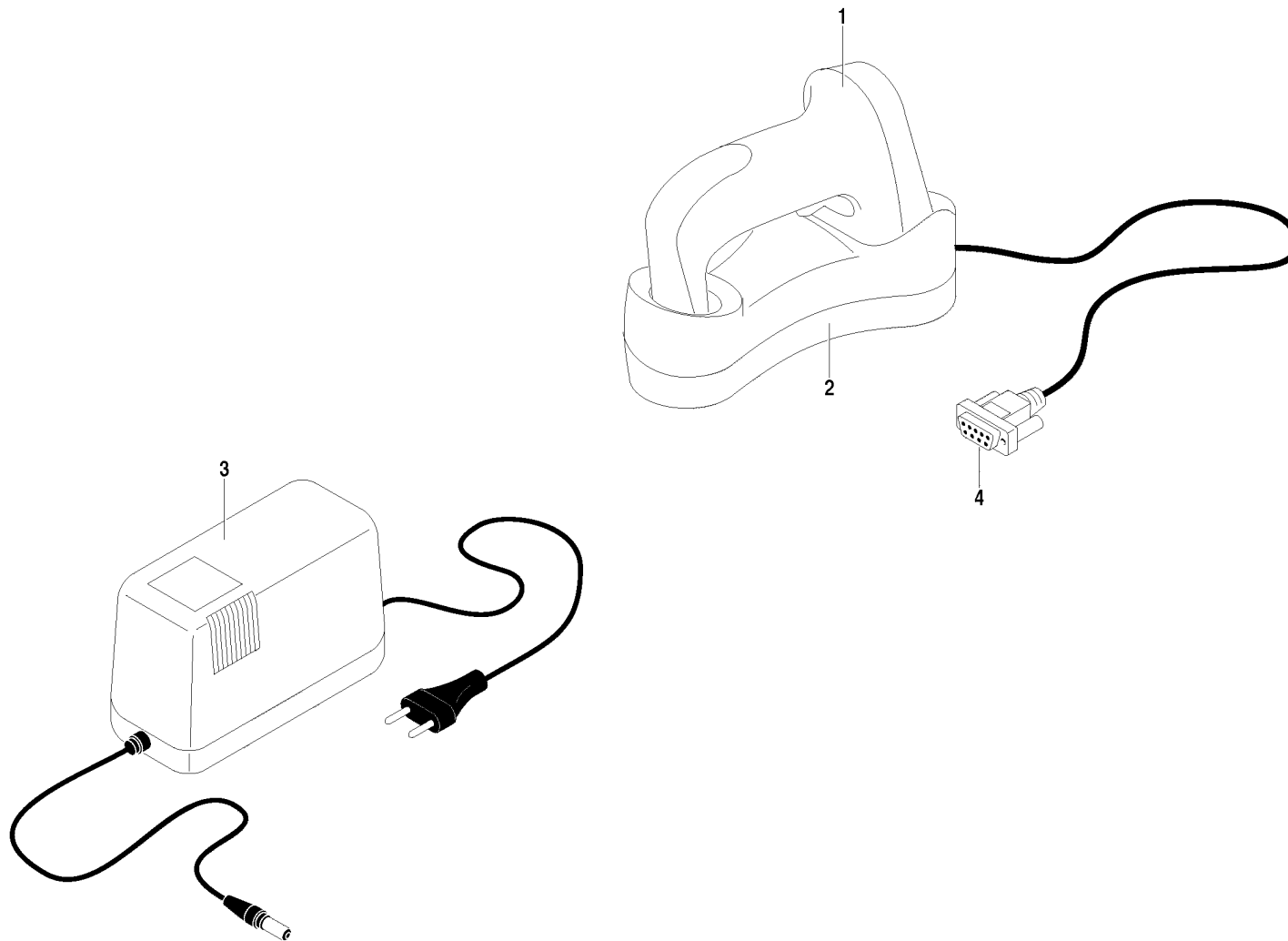
1 0102D270A



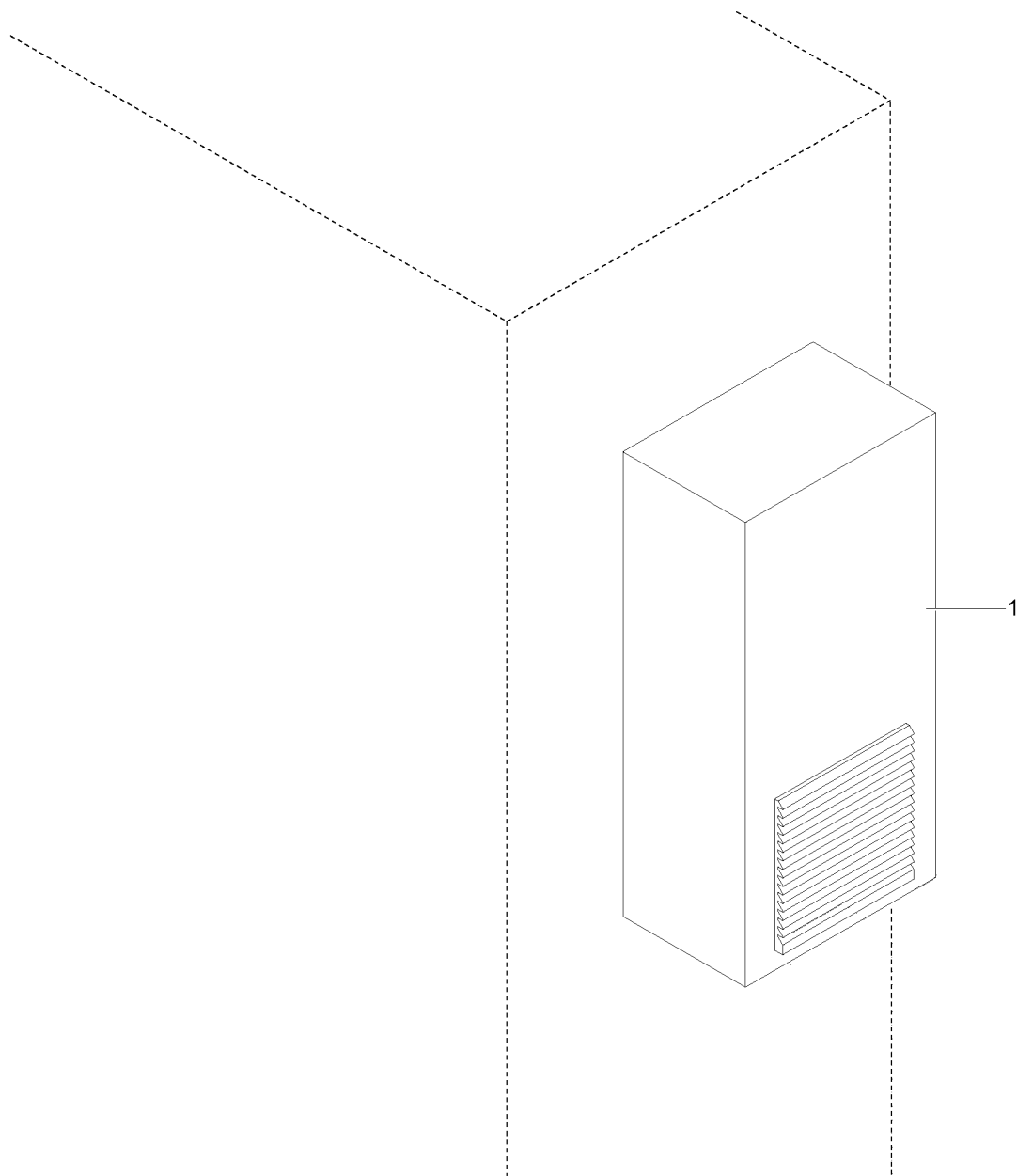
P0037A00 - CONNECTOR - 40190 - ROVER 22/24

POSITION	DRAWING/COMPONENT	DESCRIPTION
1	0102D270A	CARD



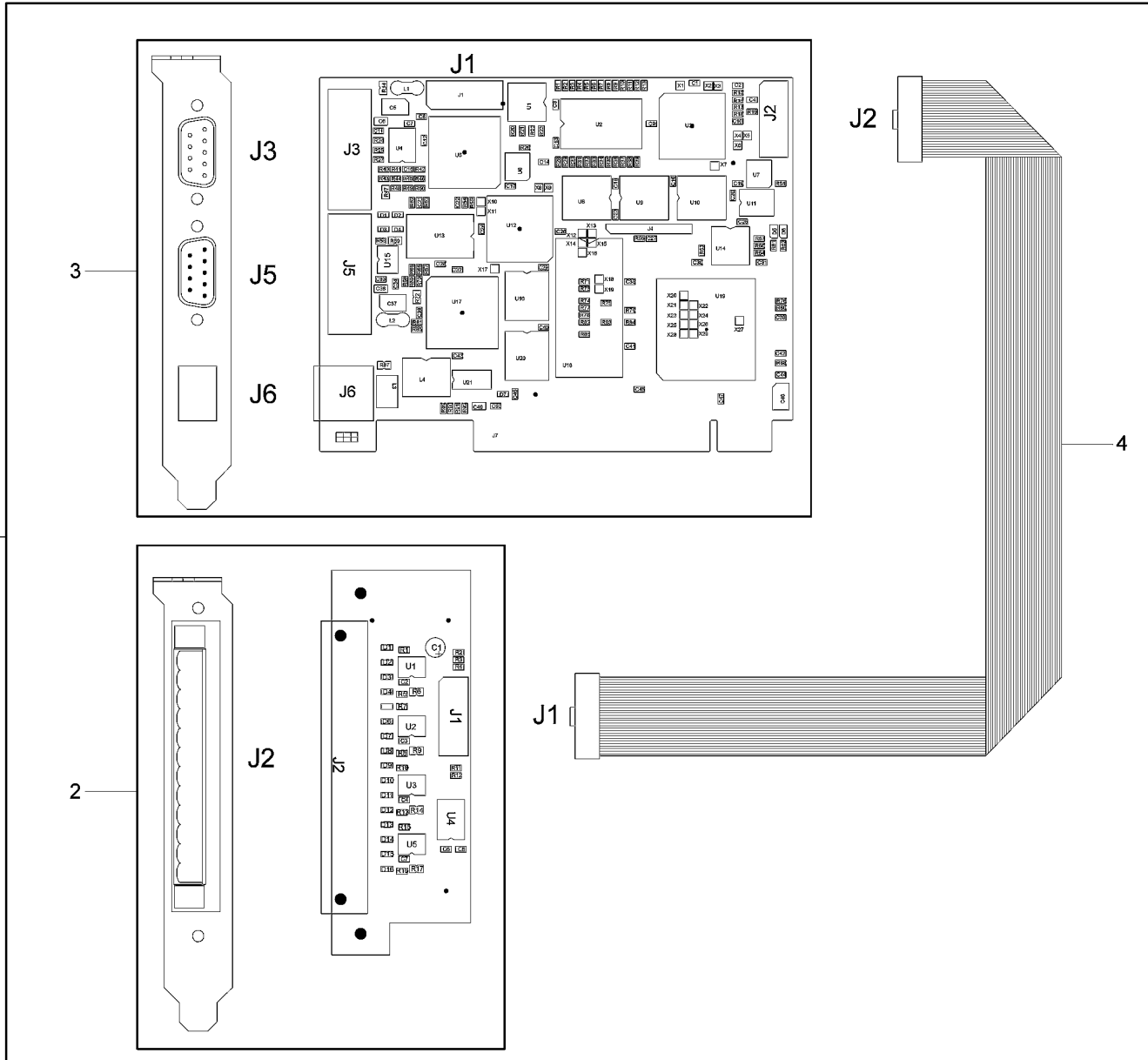


1 2161A0107



P0050A00 - AIR CONDITIONER - 40190 - ROVER 22/24

POSITION	DRAWING/COMPONENT	DESCRIPTION
1	2161A0107	AIR CONDITIONER



- 1 0110D600A0
- 2 0110D601A0
- 3 0110D602A0

P0051A00 - ELECTRONIC CARD - 40190 - ROVER 22/24

POSITION	DRAWING/COMPONENT	DESCRIPTION
1	0110D600A0	MODULE
2	0110D601A0	CARD
3	0110D602A0	CARD

