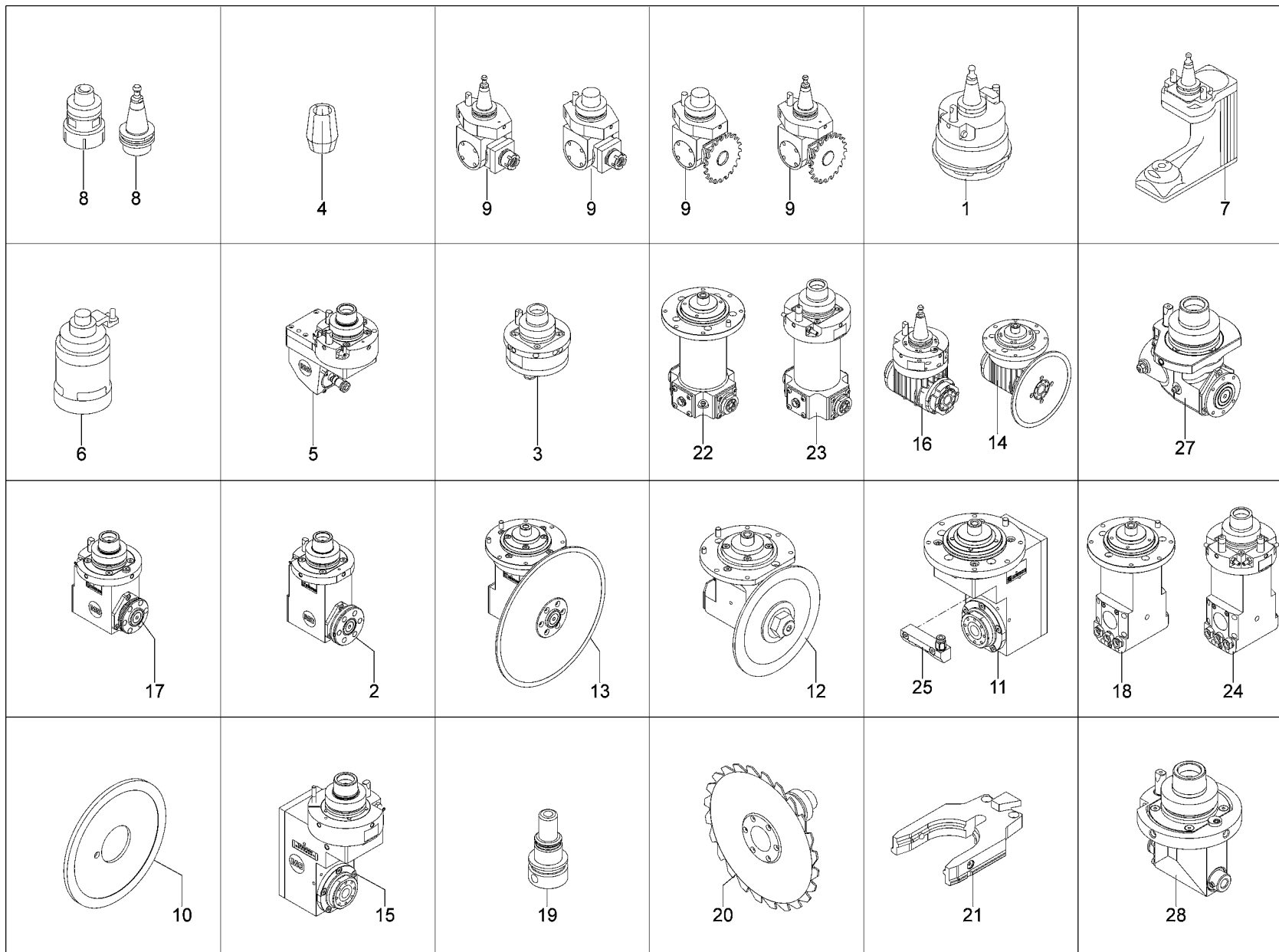


- 1 H0235A04
- 2 H0405A00 - 1278X5716
- 2 H0408A00 - 1108X9081
- 2 H0407A00 - 1278X4951
- 2 H0343A01 - 1108X6231
- 2 H0406A00 - 1278X8651
- 3 03306A00
- 4 03315A02
- 5 H0116A02
- 6 03305A02
- 7 03336A01
- 8 A0303A00

## 02057A02 - GENERAL FIGURE INDEX - 69371\_ALL - ROVER A 03-12-2008

POSITION	DRAWING/COMPONENT	DESCRIPTION
1	H0235A04	BUTTON PAD
2	H0405A00	CONTACT MAT 1278X5716
2	H0408A00	CONTACT MAT 1108X9081
2	H0407A00	CONTACT MAT 1278X4951
2	H0343A01	CONTACT MAT 1108X6231
2	H0406A00	CONTACT MAT 1278X8651
3	03306A00	OPERATING SECTION ASSEMBLY
4	03315A02	BASE ASSEMBLY
5	H0116A02	BUTTON PAD
6	03305A02	GUARDS ASSEMBLY
7	03336A01	X AXIS CARRIAGE ASSEMBLY
8	A0303A00	BASE



- 1 C0587A02 - ISO 30
- 1 C0588A03
- 2 C0847A00 - D=180-270 H..
- 2 C0854A00 - D=180-270 I..
- 3 C0630A01 - HSK F63
- 3 C0262A07 - ISO 30
- 4 C0270A01
- 5 C0855A00 - ISO 30
- 5 C0860A00 - HSK F63
- 6 C0569A01
- 7 C0585A02 - ISO 30
- 7 C0586A01 - HSK F63
- 8 C0597A02
- 9 C0631A02
- 10 C0681A01
- 11 C0714A02
- 12 C0821A00 - D=180
- 13 C0820A01 - D=270
- 14 C0717A00 - D=180
- 15 C0861A00 - HSK F63
- 15 C0838A00 - ISO 30
- 15 C0851A00 - ISO 30
- 15 C0837A00 - HSK F63
- 16 C0719A02 - ISO 30
- 16 C0724A00 - HSK F63
- 17 C0859A00 - D=120-215 H..
- 17 C0601A01
- 17 C0599A00 - HSK F63
- 17 C0853A00 - D=120-215 I..
- 17 C0259A04 - D=120
- 18 C0725A00
- 19 C0754A00
- 20 C0755A00
- 21 B0415A00
- 22 C0771A00
- 23 C0772A00
- 24 C0773A00
- 25 N0314A00
- 27 C0839A00 - HSK F63
- 28 C0840A00 - ISO 30
- 28 C0260A05 - HSK F63

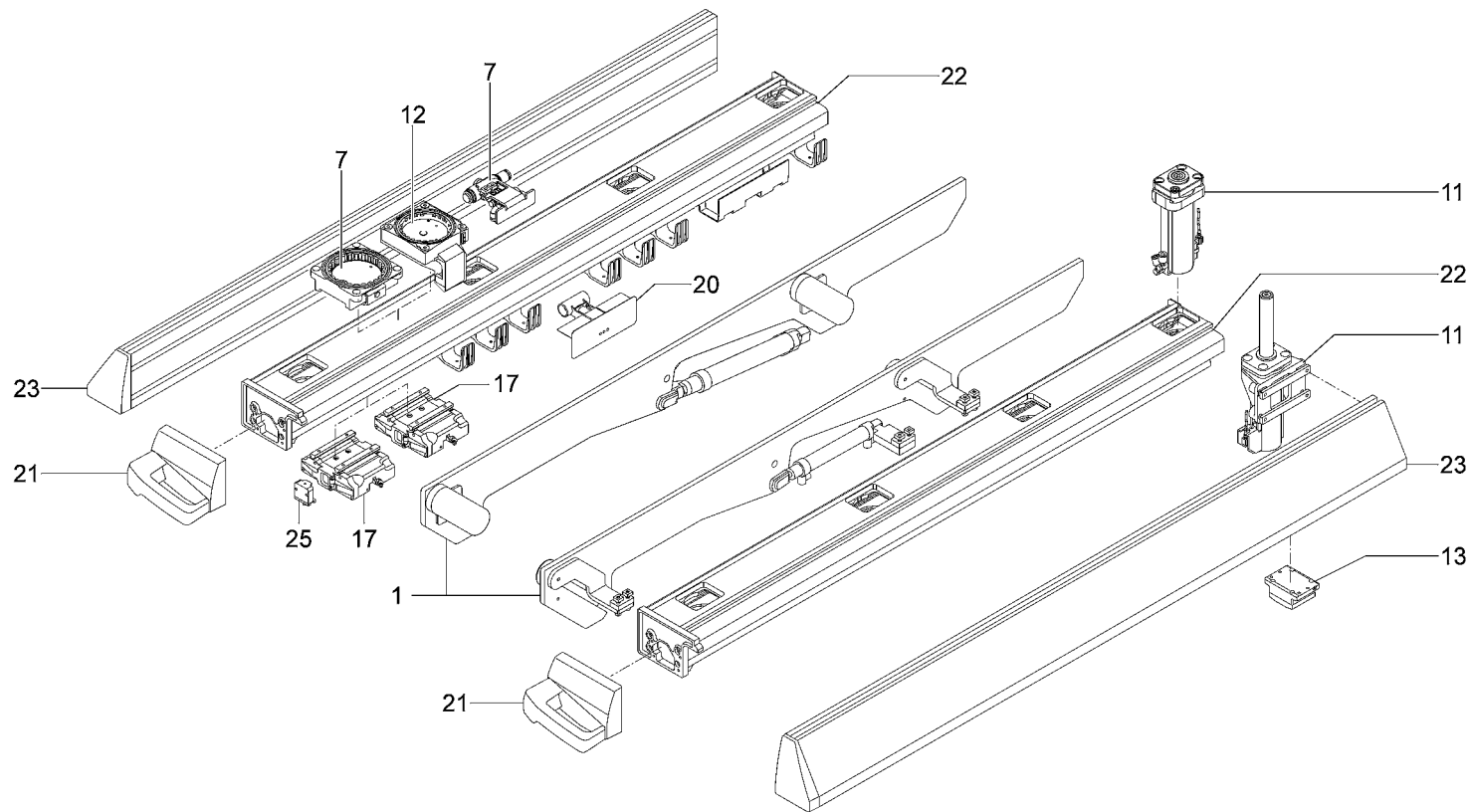
## 03286A04 - OPERATING SECTION DEVICES - 69371\_ALL - ROVER A 03-12-2008

POSITION	DRAWING/COMPONENT	DESCRIPTION
1	C0587A02	COPIER ISO 30
1	C0588A03	COPIER
2	C0847A00	AGGREGATE D=180-270 HSK F63
2	C0854A00	AGGREGATE D=180-270 ISO 30
3	C0630A01	AGGREGATE HSK F63
3	C0262A07	AGGREGATE ISO 30
4	C0270A01	ELASTIC COLLET
5	C0855A00	AGGREGATE ISO 30
5	C0860A00	AGGREGATE HSK F63
6	C0569A01	COPIER
7	C0585A02	AGGREGATE ISO 30
7	C0586A01	AGGREGATE HSK F63
8	C0597A02	COLLET SPINDLE
9	C0631A02	AGGREGATE
10	C0681A01	MILLING CUTTER
11	C0714A02	AGGREGATE
12	C0821A00	AGGREGATE D=180
13	C0820A01	AGGREGATE D=270
14	C0717A00	AGGREGATE D=180
15	C0861A00	AGGREGATE HSK F63
15	C0838A00	AGGREGATE ISO 30
15	C0851A00	AGGREGATE ISO 30
15	C0837A00	AGGREGATE HSK F63
16	C0719A02	AGGREGATE ISO 30
16	C0724A00	AGGREGATE HSK F63
17	C0859A00	AGGREGATE D=120-215 HSK F63
17	C0601A01	AGGREGATE
17	C0599A00	AGGREGATE HSK F63
17	C0853A00	AGGREGATE D=120-215 ISO 30

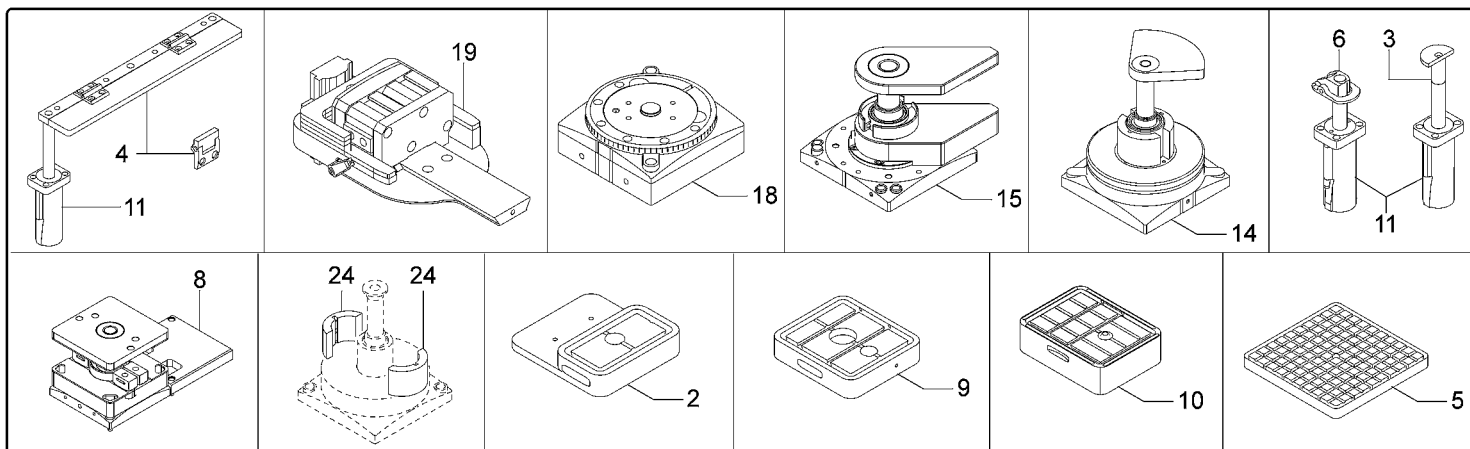


03286A04 - OPERATING SECTION DEVICES - 69371\_ALL - ROVER A 03-12-2008

POSITION	DRAWING/COMPONENT	DESCRIPTION
17	C0259A04	AGGREGATE D=120
18	C0725A00	AGGREGATE
19	C0754A00	BUSH
20	C0755A00	AGGREGATE
21	B0415A00	COLLET
22	C0771A00	AGGREGATE
23	C0772A00	AGGREGATE
24	C0773A00	AGGREGATE
25	N0314A00	BLOWER
27	C0839A00	AGGREGATE HSK F63
28	C0840A00	AGGREGATE ISO 30
28	C0260A05	AGGREGATE HSK F63

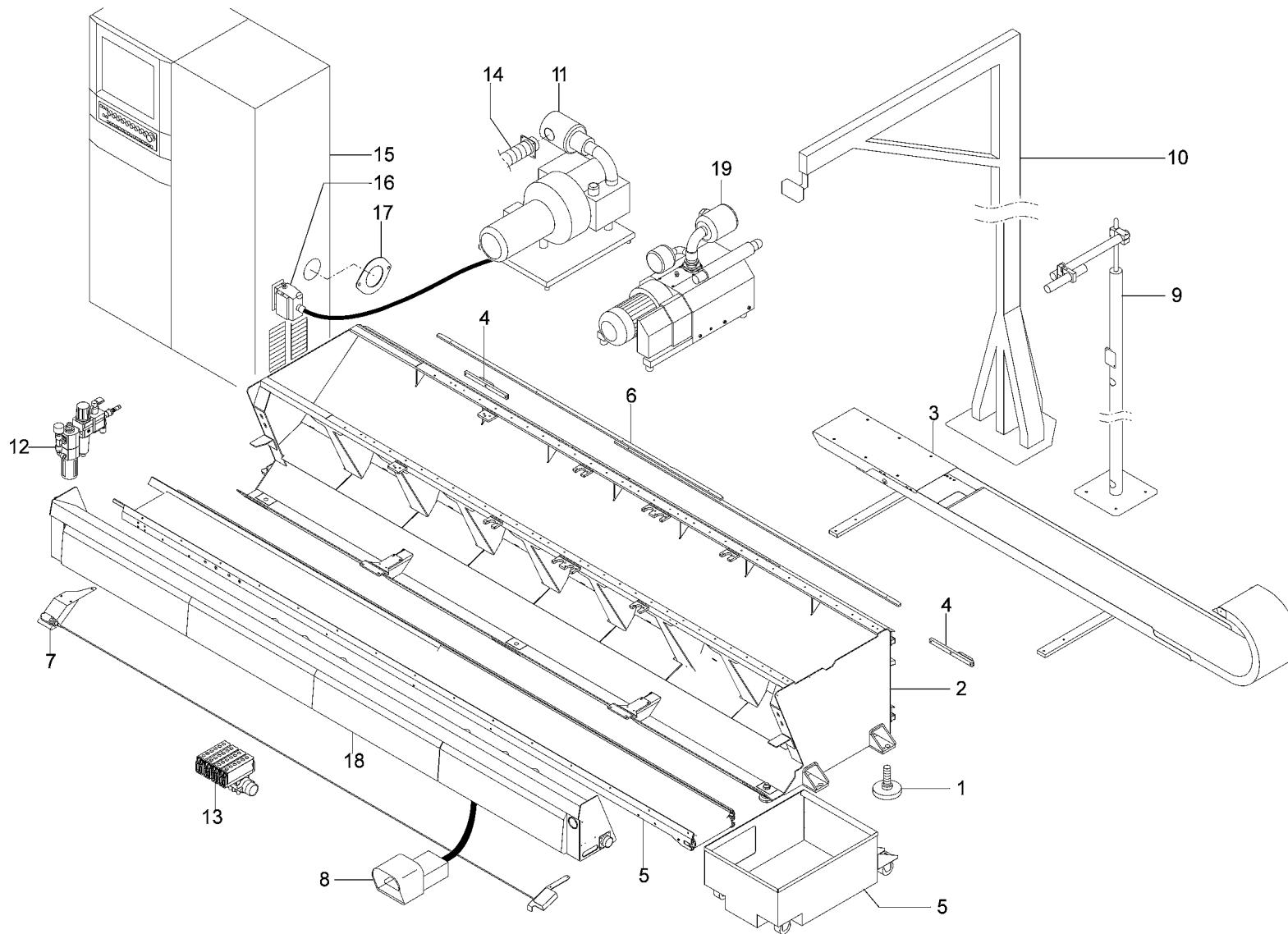


- 1 D0172A02
- 2 E0200A02
- 3 E0202A02
- 4 E0206A04
- 5 E0232A00
- 6 E0258A01
- 7 E0262A02 - CTS
- 8 E0281A05
- 9 E0291A01
- 10 E0292A00
- 11 E0321A01
- 12 E0323A05
- 13 E0324A00
- 14 E0328A04
- 15 E0329A04
- 17 E0331A03
- 18 E0332A01
- 19 E0333A00
- 20 E0334A01
- 21 E0339A01
- 22 E0364A03 - ATS
- 23 E0365A03
- 24 E0282A00
- 25 E0387A00



## 03303A04 - WORK TABLES ASSEMBLY - 69371\_ALL - ROVER A 03-12-2008

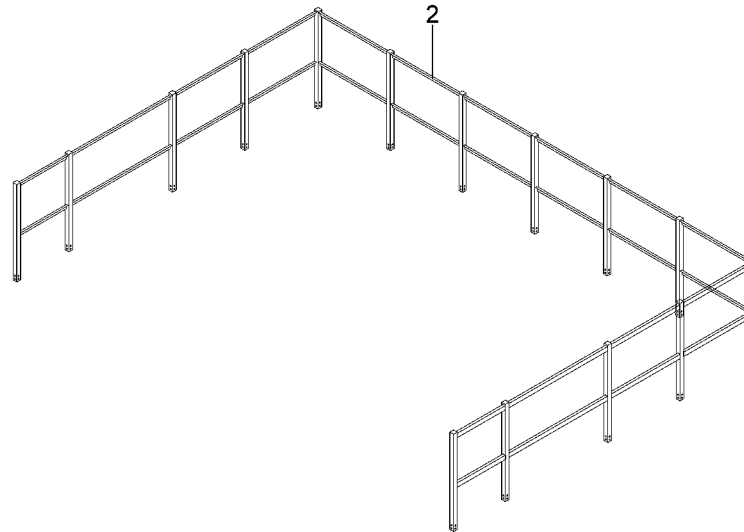
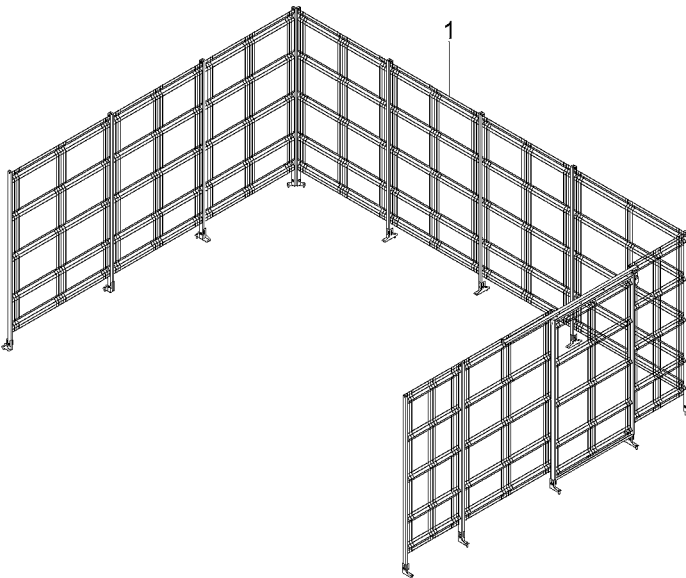
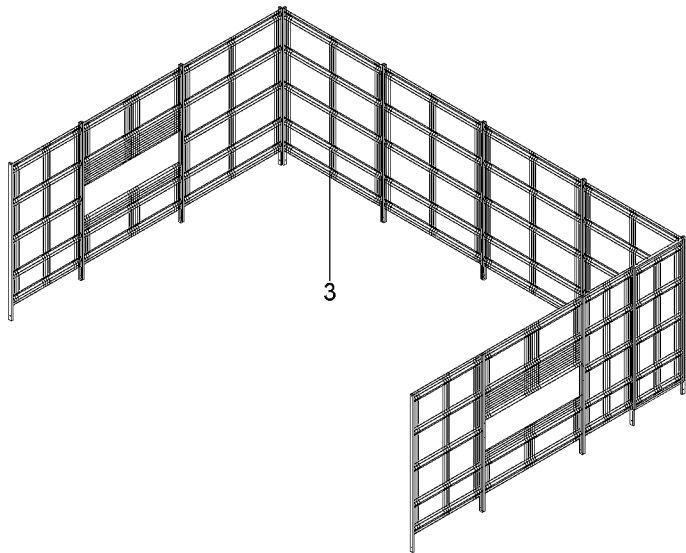
POSITION	DRAWING/COMPONENT	DESCRIPTION
1	D0172A02	LOADING-UNLOADING DEVICE
2	E0200A02	SHAPEABLE SUCTION CUP
3	E0202A02	STOP
4	E0206A04	STOP
5	E0232A00	SHAPEABLE SUCTION CUP
6	E0258A01	STOP
7	E0262A02	CARRIAGE CTS
8	E0281A05	CLAMP
9	E0291A01	SHAPEABLE SUCTION CUP
10	E0292A00	SHAPEABLE SUCTION CUP
11	E0321A01	STOP
12	E0323A05	CARRIAGE
13	E0324A00	LOCKING UNIT
14	E0328A04	CLAMP
15	E0329A04	CLAMP
17	E0331A03	WORK TABLE LOCKING
18	E0332A01	CLAMP
19	E0333A00	CLAMP
20	E0334A01	DISTRIBUTOR
21	E0339A01	HANDLE
22	E0364A03	WORK TABLE ATS
23	E0365A03	SIDE WORK TABLE
24	E0282A00	MAGNET
25	E0387A00	LOCKING UNIT



- 1 A0135A00
- 2 A0293A01
- 3 A0294A01
- 4 B0384A00
- 5 D0171A00
- 6 H0234A00
- 7 H0248A01
- 8 M0105A00
- 9 M0125A03
- 10 M0126A02
- 11 N0211A00
- 12 N0365A01
- 13 N0321A00
- 14 N0322A00
- 15 P0021A07
- 16 P0028A01
- 17 P0078A01
- 18 A0295A01
- 19 N0389A00 - 300 M3/H

03304A03 - BASE ASSEMBLY - 69371\_ALL - ROVER A 03-12-2008

POSITION	DRAWING/COMPONENT	DESCRIPTION
1	A0135A00	FOOT
2	A0293A01	BASE
3	A0294A01	BASE
4	B0384A00	X-AXIS LIMIT SWITCH
5	D0171A00	CHIP CONVEYOR
6	H0234A00	SAFETY LIMIT SWITCH
7	H0248A01	EMERGENCY DEVICE
8	M0105A00	CONTROL PEDAL
9	M0125A03	LASER
10	M0126A02	LASER
11	N0211A00	VACUUM PUMP
12	N0365A01	MAIN FILTER
13	N0321A00	DISTRIBUTOR
14	N0322A00	PNEUMATIC SYSTEM
15	P0021A07	CONTROL MODULE UNIT
16	P0028A01	CONNECTOR
17	P0078A01	FLANGE
18	A0295A01	BASE
19	N0389A00	VACUUM PUMP 300 M3/H

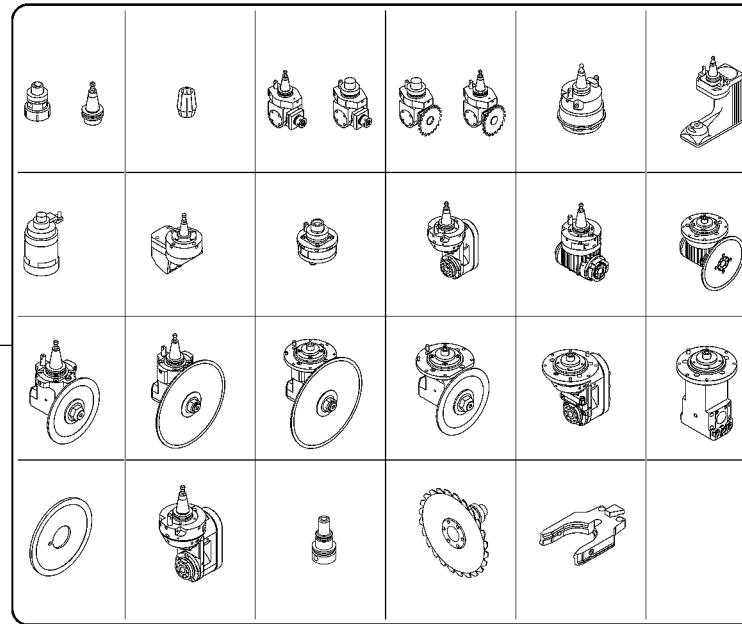
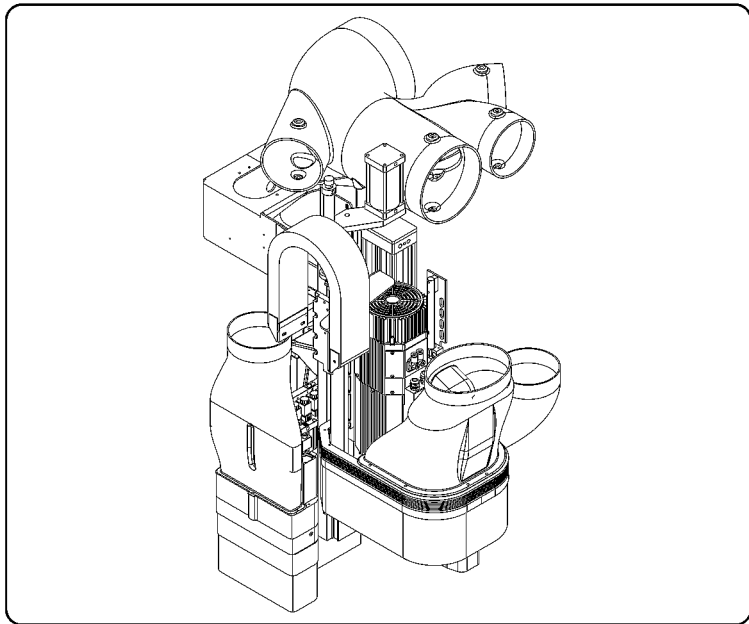


- 1 H0363A02
- 2 H0364A00 - NO CE
- 3 H0369A03

03305A02 - GUARDS ASSEMBLY - 69371\_ALL - ROVER A 03-12-2008

POSITION	DRAWING/COMPONENT	DESCRIPTION
1	H0363A02	PERIMETER GUARD
2	H0364A00	PERIMETER GUARD NO CE
3	H0369A03	PERIMETER GUARD

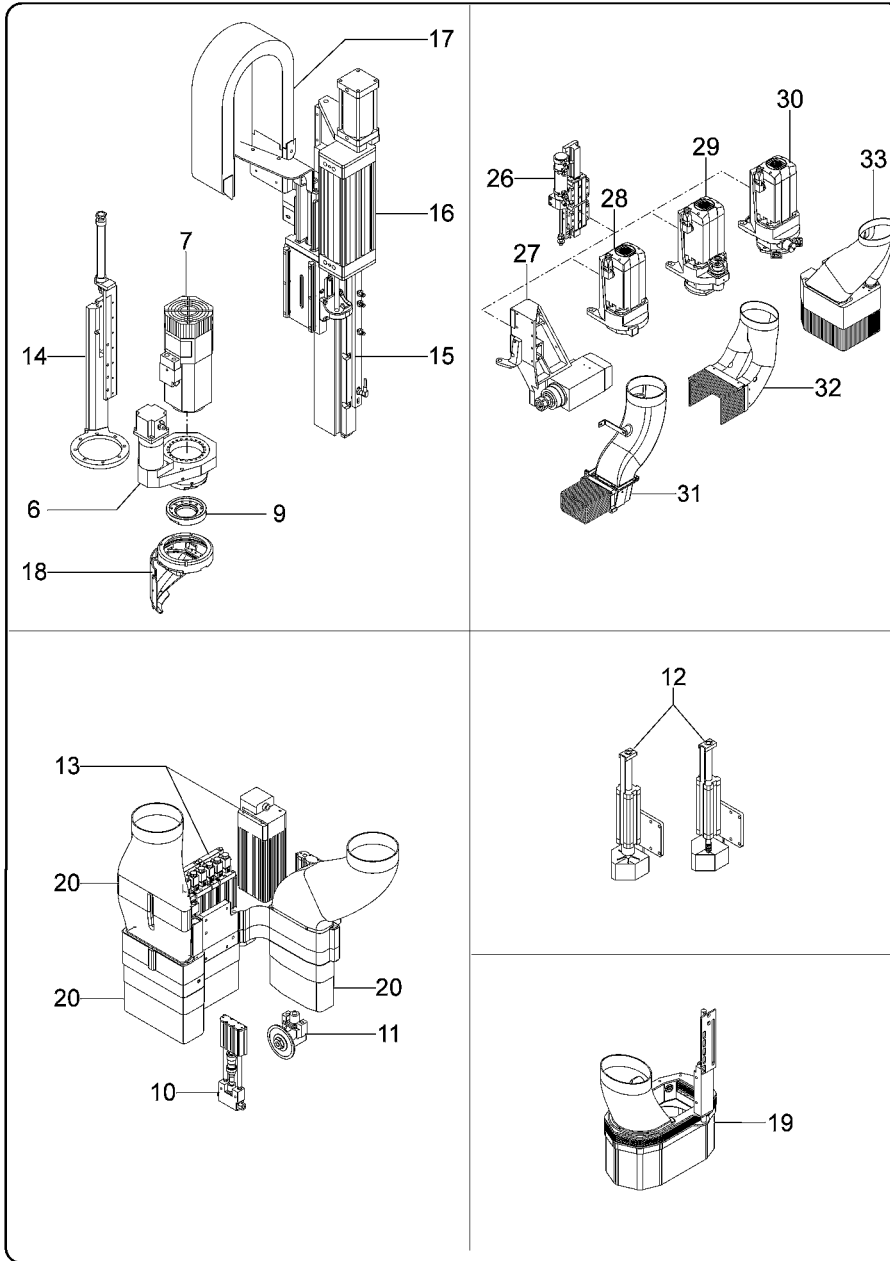
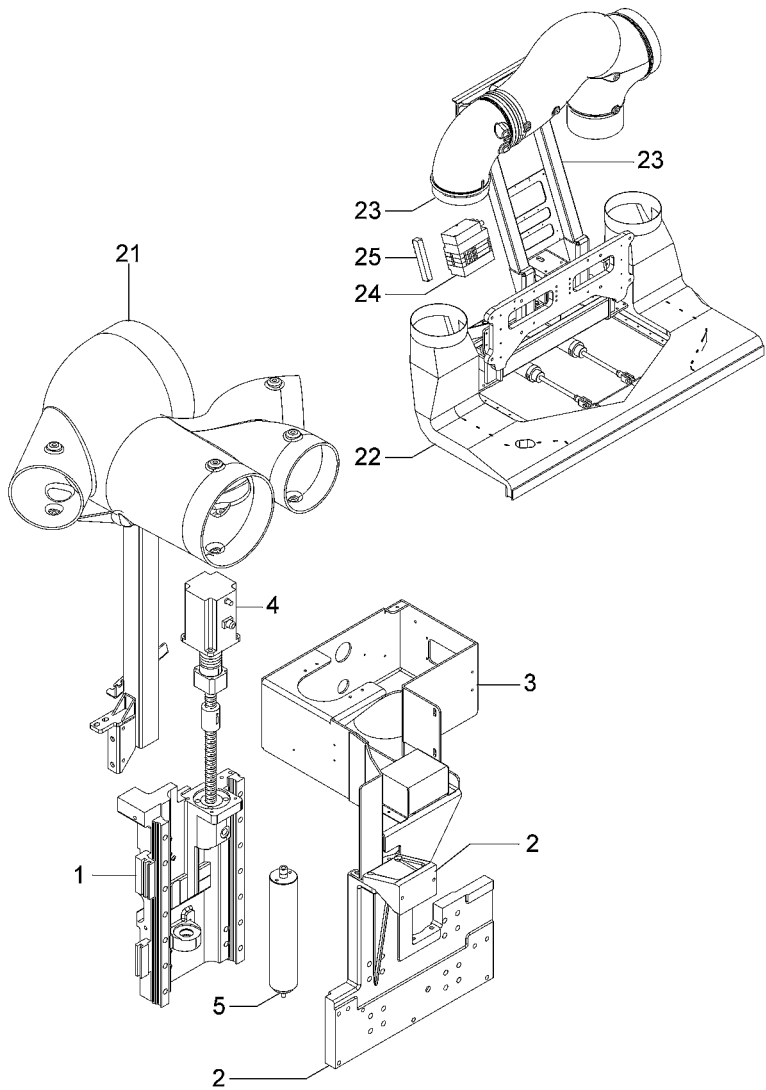
1 03307A03  
2 03286A04





03306A00 - OPERATING SECTION ASSEMBLY - 69371\_ALL - ROVER A 03-12-2008

POSITION	DRAWING/COMPONENT	DESCRIPTION
1	03307A03	OPERATING SECTION ASSEMBLY
2	03286A04	OPERATING SECTION DEVICES



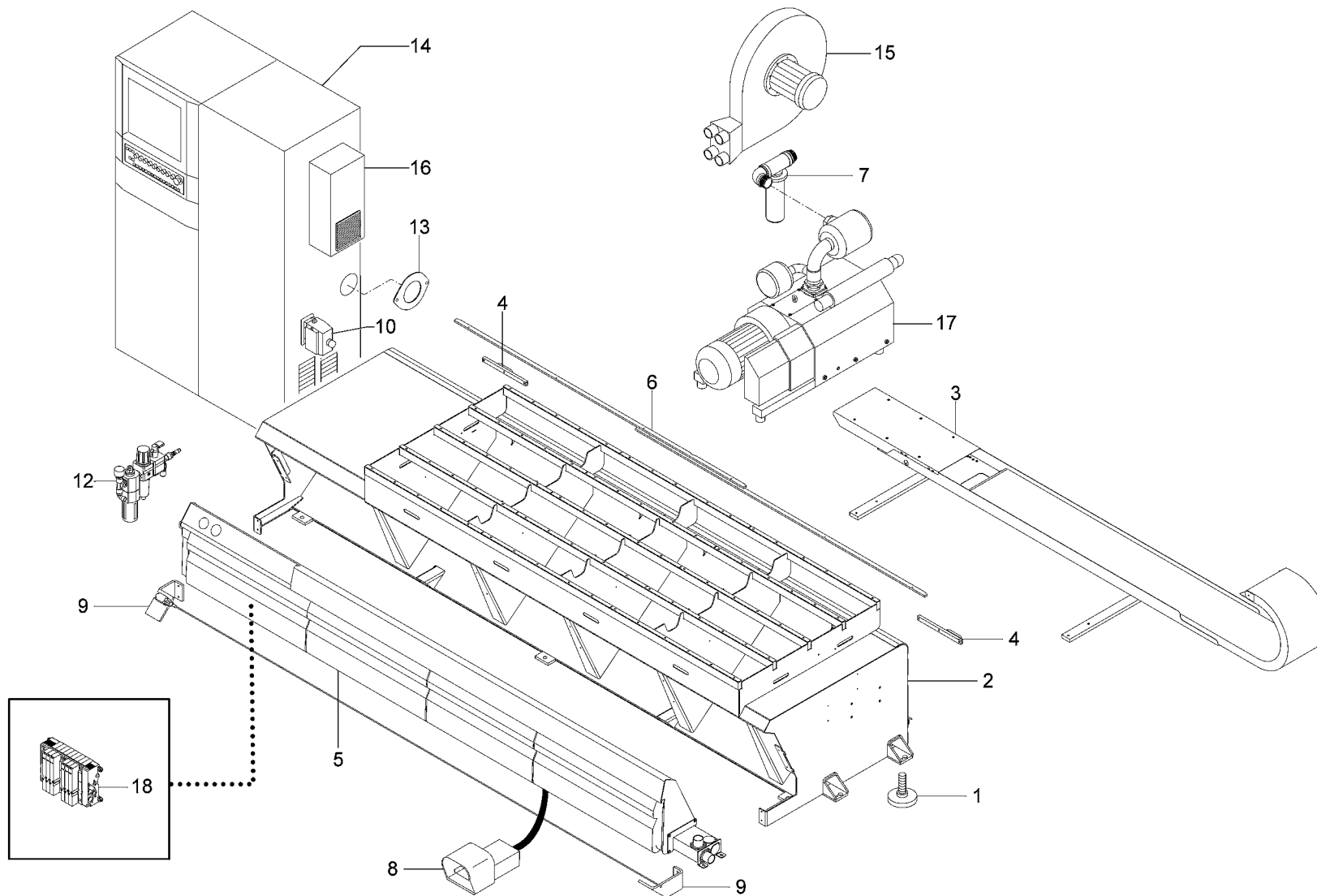
- 1 B0495A00
- 2 B0496A01
- 3 B0497A01
- 4 B0499A00
- 5 B0500A00
- 6 C0404A05
- 7 C0491A04
- 9 C0686A01
- 10 C0690A04
- 11 C0796A01
- 12 N0289A01
- 13 C0809A04
- 14 C0810A02
- 15 C0811A00
- 16 C0812A00
- 17 C0813A00
- 18 G0160A02
- 19 G0182A01
- 20 G0183A01
- 21 G0184A00
- 22 B0501A02
- 23 G0185A02
- 24 N0398A00
- 26 C0843A00
- 27 C0713A01
- 28 C0709A00
- 29 C0712A02
- 30 C0710A00
- 31 G0192A00
- 32 G0157A00
- 33 G0164A00

## 03307A03 - OPERATING SECTION ASSEMBLY - 69371\_ALL - ROVER A 03-12-2008

POSITION	DRAWING/COMPONENT	DESCRIPTION
1	B0495A00	Z AXIS CARRIAGE
2	B0496A01	Z AXIS CARRIAGE
3	B0497A01	CABLE RACEWAYS
4	B0499A00	DRIVE UNIT
5	B0500A00	COMPENSATION DEVICE
6	C0404A05	AGGREGATE ORIENTATION DEVICE
7	C0491A04	ELECTROSPINDLE
9	C0686A01	FLANGE FOR ELECTROSPINDLE
10	C0690A04	BORING CHUCK
11	C0796A01	MILLING CUTTER
12	N0289A01	THICKNESS TRACER
13	C0809A04	BORING UNIT
14	C0810A02	PRESSER
15	C0811A00	SLIDING UNIT
16	C0812A00	SLIDING UNIT
17	C0813A00	SLIDING UNIT
18	G0160A02	CHIP DEFLECTOR
19	G0182A01	SUCTION
20	G0183A01	SUCTION
21	G0184A00	SUCTION
22	B0501A02	UNLOADER
23	G0185A02	SUCTION
24	N0398A00	ELECTROVALVE
26	C0843A00	SLIDING UNIT
27	C0713A01	HORIZONTAL MOTOR UNIT
28	C0709A00	MULTIFUNCTION UNIT
29	C0712A02	MULTIFUNCTION UNIT
30	C0710A00	MULTIFUNCTION UNIT
31	G0192A00	SUCTION

03307A03 - OPERATING SECTION ASSEMBLY - 69371\_ALL - ROVER A 03-12-2008

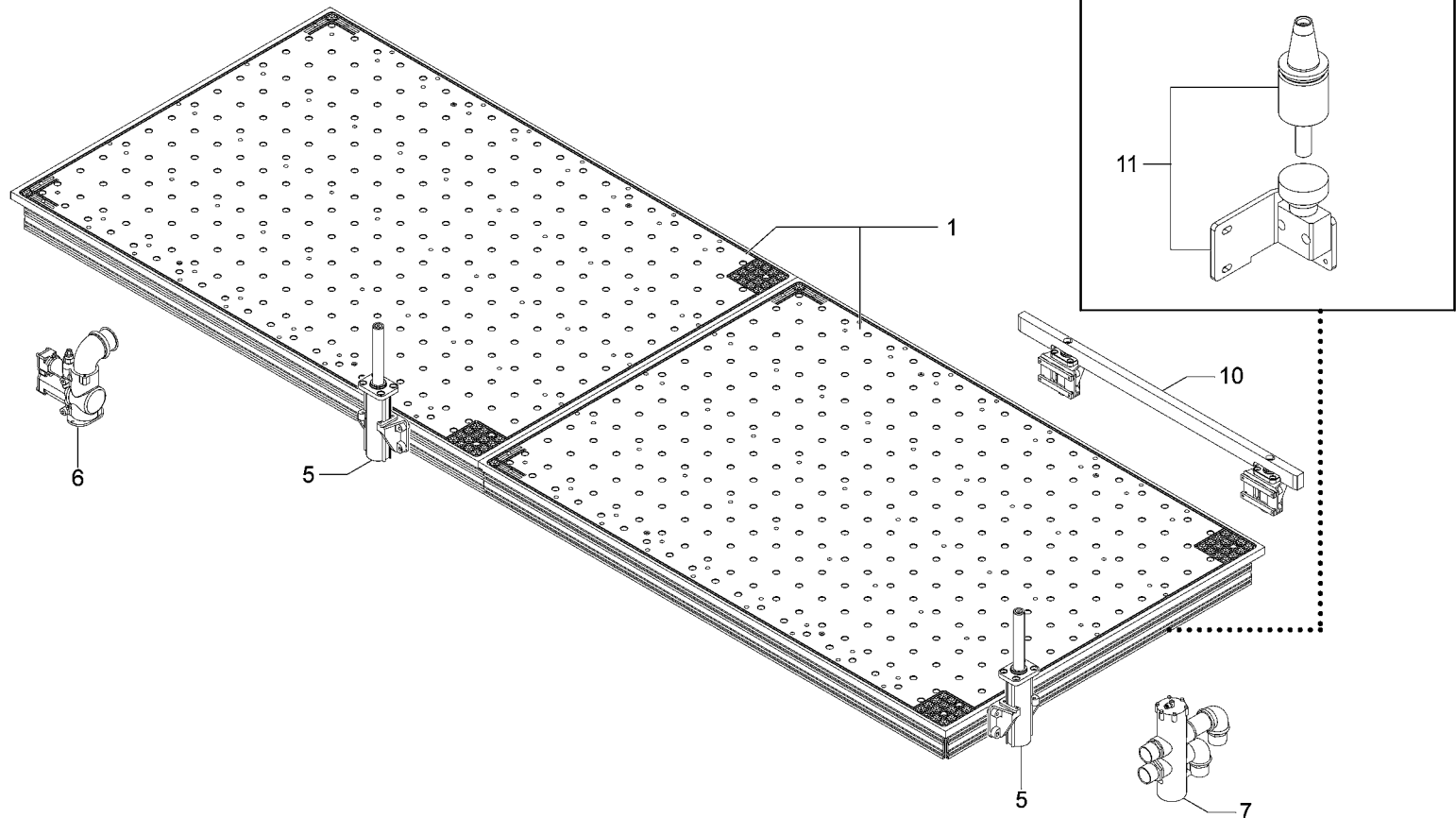
POSITION	DRAWING/COMPONENT	DESCRIPTION
32	G0157A00	SUCTION
33	G0164A00	SUCTION



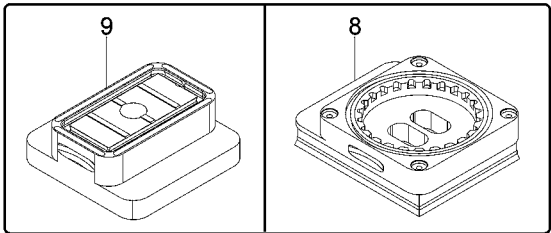
- 1 A0135A00
- 2 A0301A02
- 3 A0294A01
- 4 B0384A00
- 5 A0286A06
- 6 H0234A00
- 7 N0367A00
- 8 M0105A00
- 9 H0292A02
- 10 P0028A01
- 12 N0365A01
- 13 P0078A01
- 14 P0021A07
- 15 G0128A02
- 16 P0050A01
- 17 N0389A00 - 300 M3/H
- 18 N0372A02

03309A04 - BASE ASSEMBLY - 69371\_ALL - ROVER A 03-12-2008

POSITION	DRAWING/COMPONENT	DESCRIPTION
1	A0135A00	FOOT
2	A0301A02	BASE
3	A0294A01	BASE
4	B0384A00	X-AXIS LIMIT SWITCH
5	A0286A06	BASE
6	H0234A00	SAFETY LIMIT SWITCH
7	N0367A00	FILTER
8	M0105A00	CONTROL PEDAL
9	H0292A02	EMERGENCY DEVICE
10	P0028A01	CONNECTOR
12	N0365A01	MAIN FILTER
13	P0078A01	FLANGE
14	P0021A07	CONTROL MODULE UNIT
15	G0128A02	ELECTRIC FAN
16	P0050A01	AIR CONDITIONER
17	N0389A00	VACUUM PUMP 300 M3/H
18	N0372A02	ELECTROVALVE



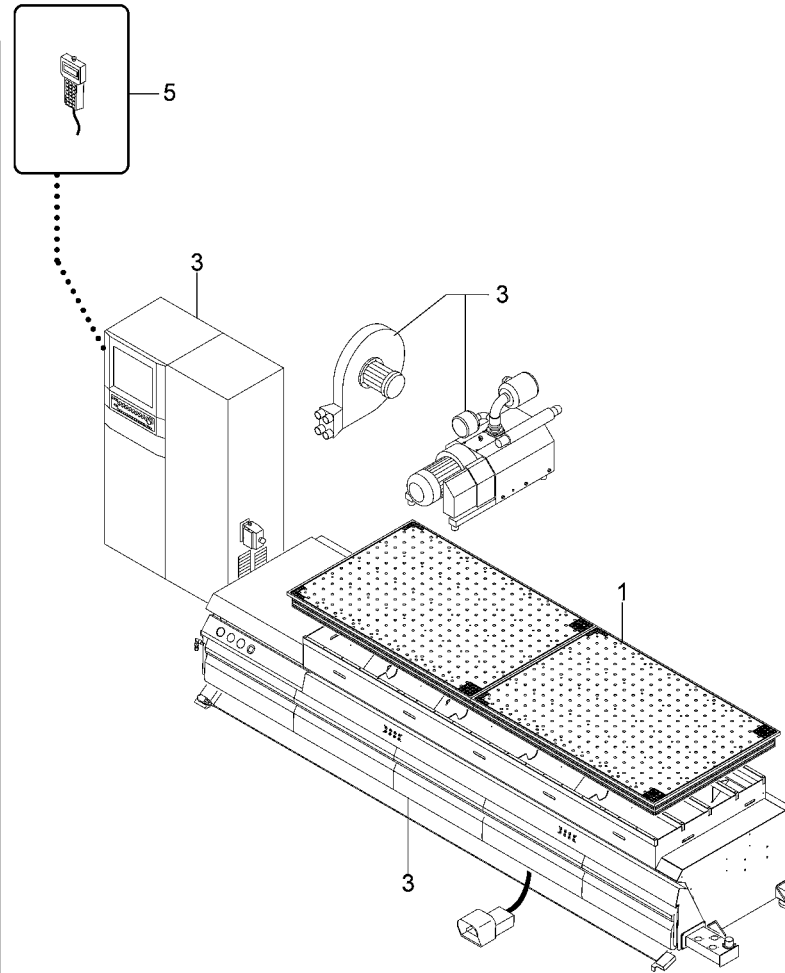
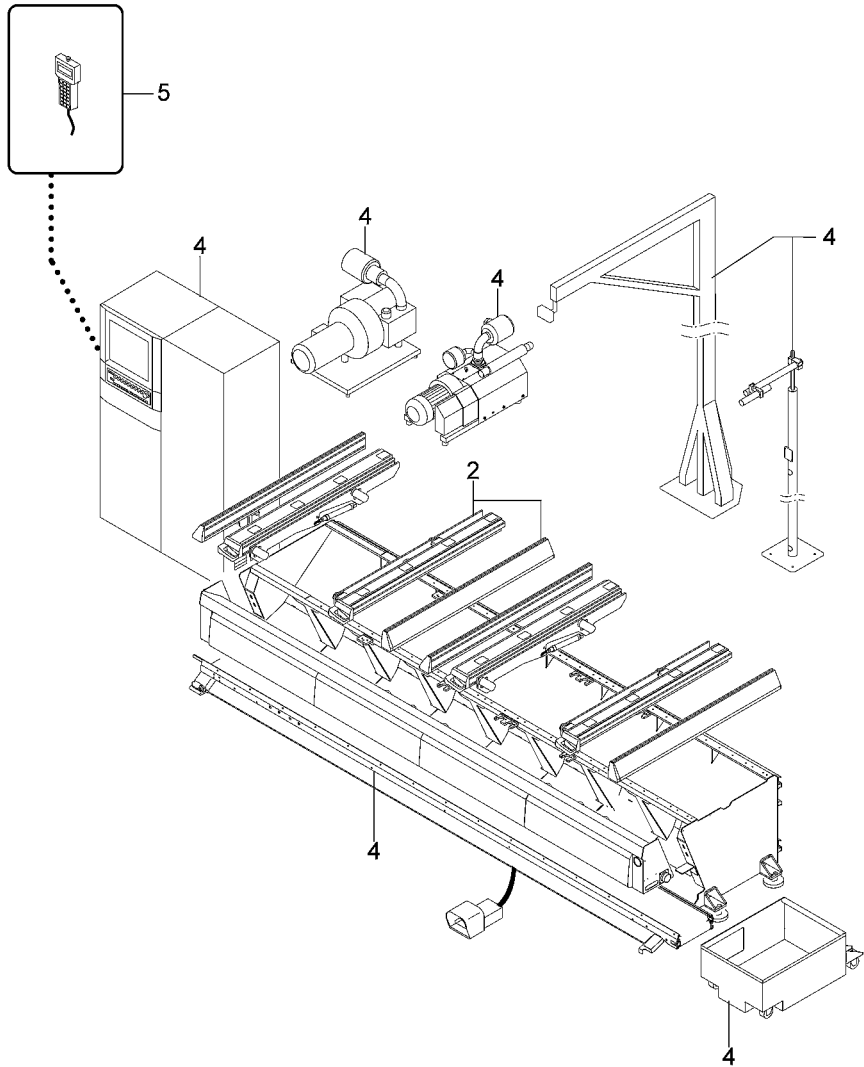
- 1 E0310A02
- 5 E0360A02
- 6 N0326A04
- 7 N0255A00
- 8 E0362A00
- 9 E0363A02
- 10 E0391A00
- 11 B0523A00



03310A03 - WORK TABLES ASSEMBLY - 69371\_ALL - ROVER A 03-12-2008

POSITION	DRAWING/COMPONENT	DESCRIPTION
1	E0310A02	WORK TABLE
5	E0360A02	STOP
6	N0326A04	VALVE
7	N0255A00	SUPPORT
8	E0362A00	CARRIAGE
9	E0363A02	SHAPEABLE SUCTION CUP
10	E0391A00	SUPPORT
11	B0523A00	PRESETTING UNIT

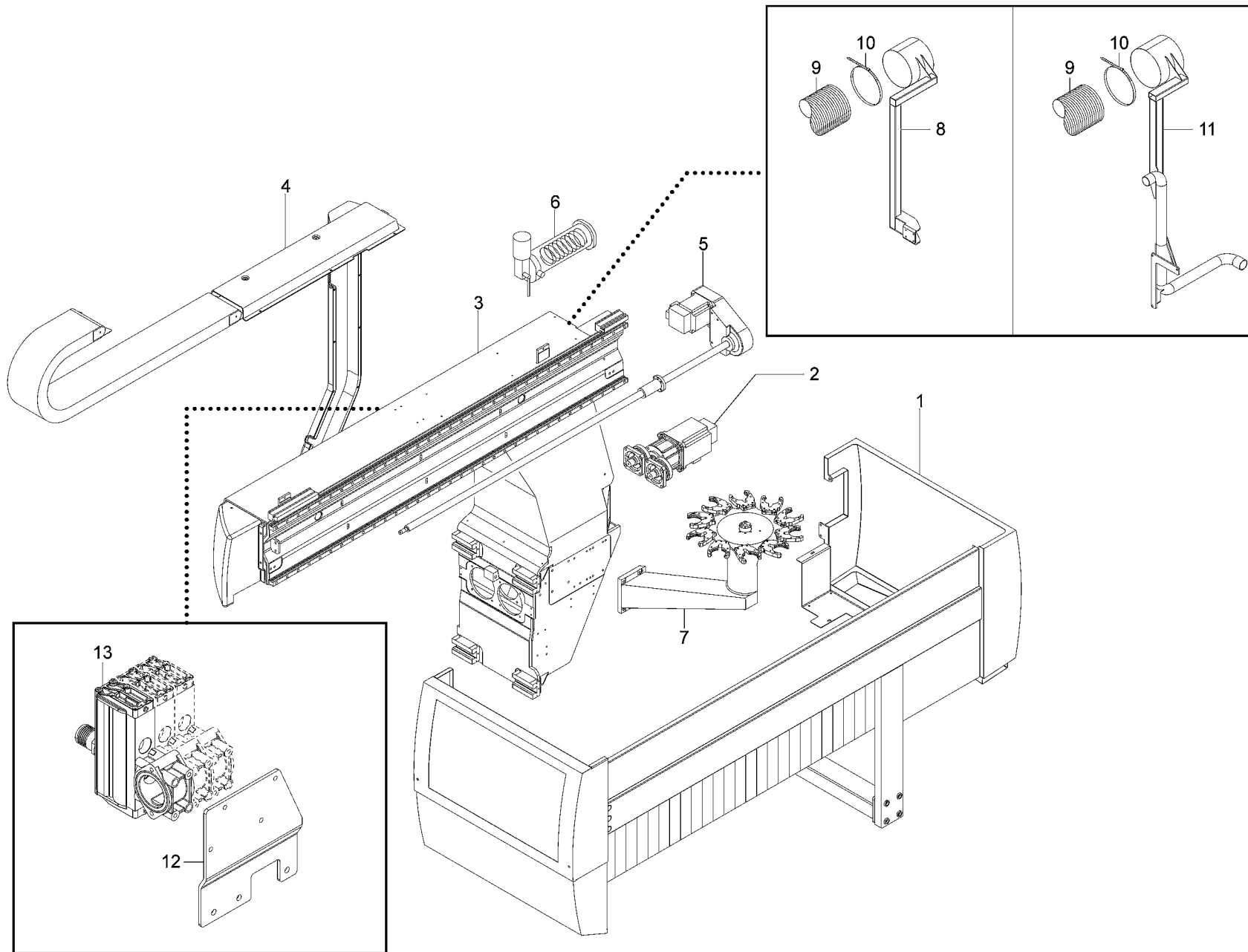




- 1 03310A03
- 2 03303A04
- 3 03309A04
- 4 03304A03
- 5 P0090A00

03315A02 - BASE ASSEMBLY - 69371\_ALL - ROVER A 03-12-2008

POSITION	DRAWING/COMPONENT	DESCRIPTION
1	03310A03	WORK TABLES ASSEMBLY
2	03303A04	WORK TABLES ASSEMBLY
3	03309A04	BASE ASSEMBLY
4	03304A03	BASE ASSEMBLY
5	P0090A00	HAND-HELD TERMINAL

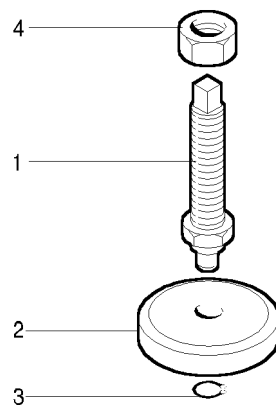


- 1 A0296A04
- 2 B0449A04
- 3 B0493A02
- 4 B0494A00
- 5 B0498A02
- 6 N0139A09
- 7 C0806A01 - 18P
- 7 C0793A02 - 10P
- 13 N0394A01

03336A01 - X AXIS CARRIAGE ASSEMBLY - 69371\_ALL - ROVER A 03-12-2008

POSITION	DRAWING/COMPONENT	DESCRIPTION
1	A0296A04	HEAD CASING
2	B0449A04	X AXIS DRIVE
3	B0493A02	CARRIAGE UNIT
4	B0494A00	CABLE RACEWAYS
5	B0498A02	Y AXIS DRIVE UNIT
6	N0139A09	LUBRICATION SYSTEM
7	C0806A01	REVOLVER TYPE TOOL MAGAZINE 18P
7	C0793A02	REVOLVER TYPE TOOL MAGAZINE 10P
13	N0394A01	VALVE

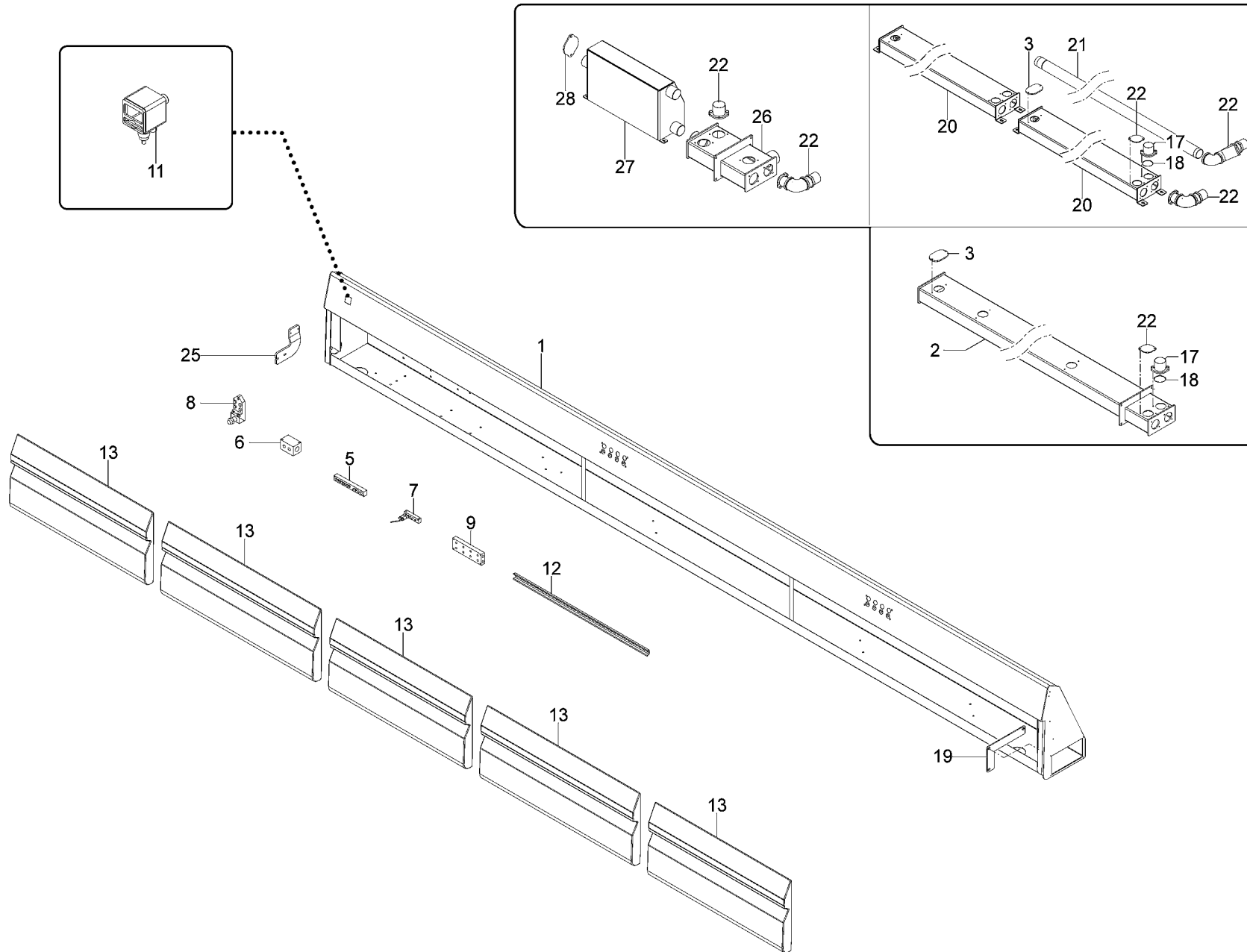
- 1 0814A1281
- 2 0814A0055
- 3 302901100 - 14 UNI 7435
- 4 301620900 - M24X2



A0135A00 - FOOT - 69371\_ALL - ROVER A 03-12-2008

POSITION	DRAWING/COMPONENT	DESCRIPTION
1	0814A1281	BAR
2	0814A0055	PLATE
3	302901100	SNAP RING 14 UNI 7435
4	301620900	NUT M24X2

7 M0164A00  
 8 P0070A02  
 22 N0330A02

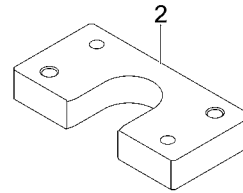
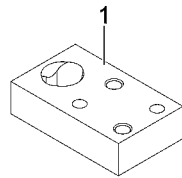


A0286A06 - BASE - 69371\_ALL - ROVER A 03-12-2008

POSITION	DRAWING/COMPONENT	DESCRIPTION
7	M0164A00	CONNECTOR
8	P0070A02	WIRING BOX
22	N0330A02	CONNECTOR



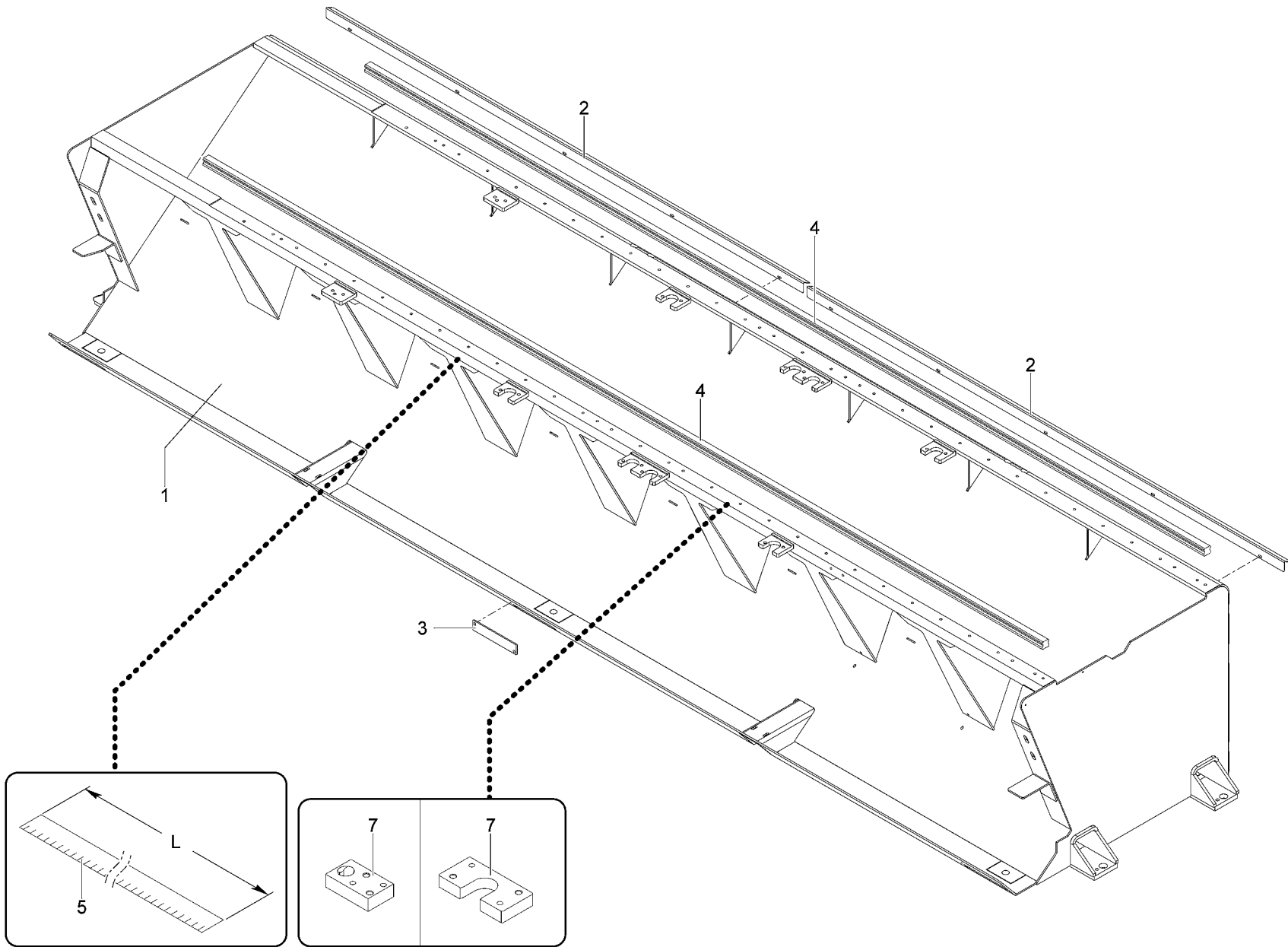
- 1 0814A1430
- 2 0814A1214



A0292A00 - BLOCK - 69371\_ALL - ROVER A 03-12-2008

POSITION	DRAWING/COMPONENT	DESCRIPTION
1	0814A1430	BLOCK
2	0814A1214	PLATE

- 1 1303A0273V
- 2 1208A2344V
- 3 1208A2351
- 4 2914A1153 - L=3020
- 5 1426A0017 - L=2400-3200
- 5 1426A0014 - L=1600-2400
- 5 1426A0030 - L=0-1600
- 7 A0292A00

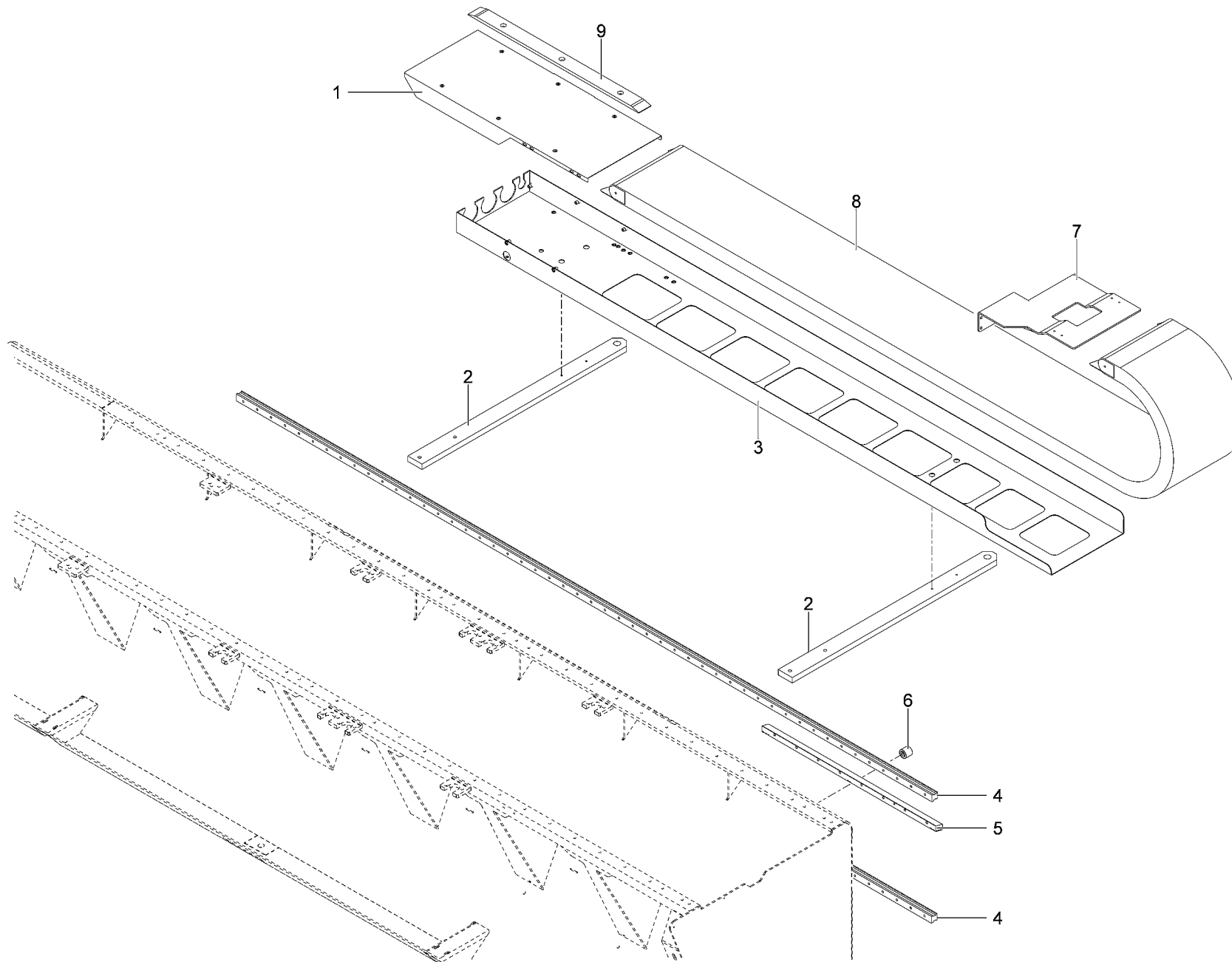


BASE - 69371\_ALL - ROVER A 03-12-2008

A0293 A  
01

A0293A01 - BASE - 69371\_ALL - ROVER A 03-12-2008

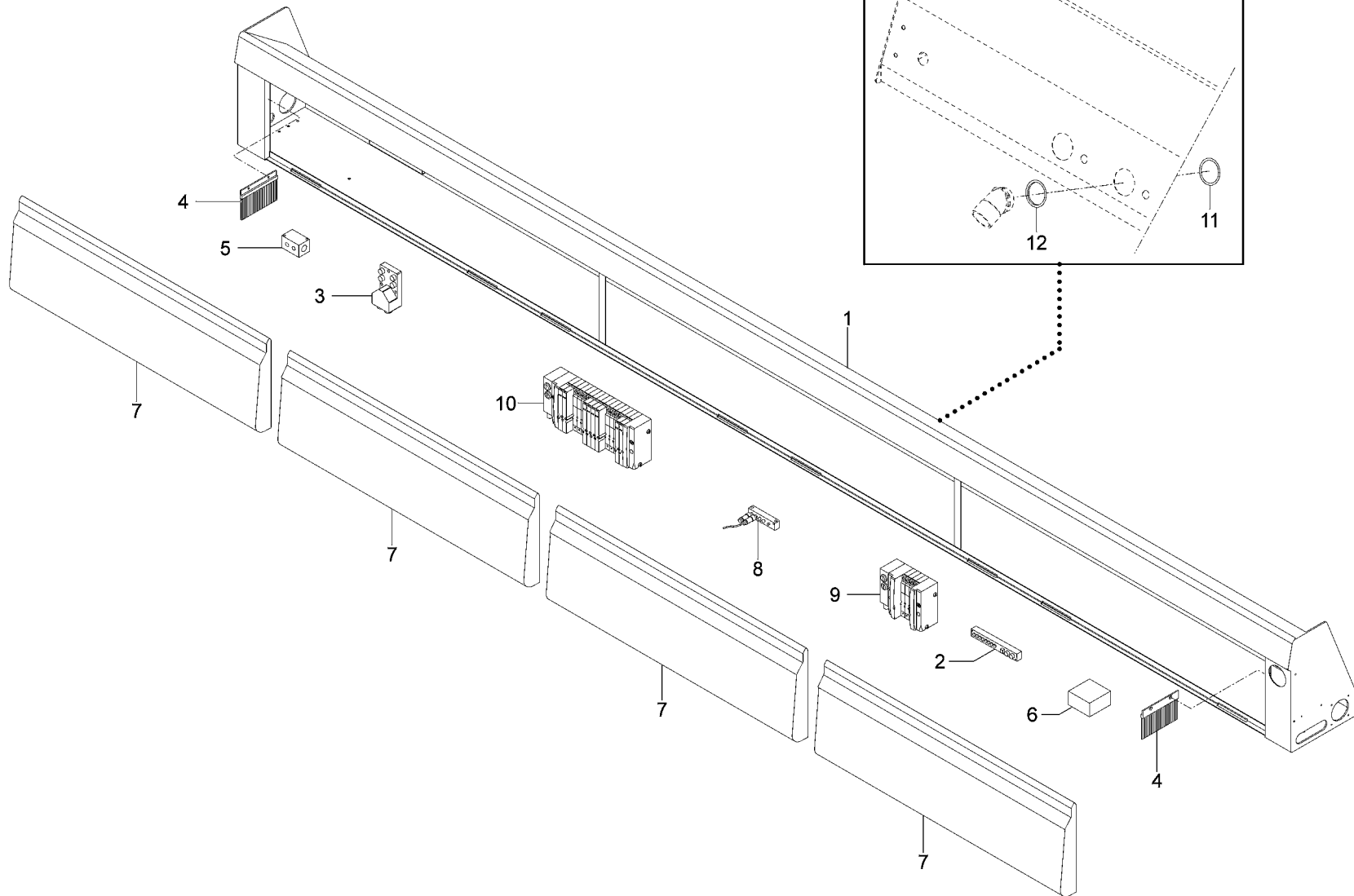
POSITION	DRAWING/COMPONENT	DESCRIPTION
1	1303A0273V	BASE
2	1208A2344V	CASING
3	1208A2351	CASING
4	2914A1153	GUIDE L=3020
5	1426A0017	MILLIMETRE RULE L=2400-3200
5	1426A0014	MILLIMETRE RULE L=1600-2400
5	1426A0030	MILLIMETRE RULE L=0-1600
7	A0292A00	BLOCK



- 1 1208A2218V - L=780
- 2 1205A1775V
- 3 1212A0822V - L=2528
- 4 2914A1193 - L=4000
- 5 0818A0046 - L=1000
- 6 0828A0073
- 7 1205A1813
- 8 6415A0302
- 8 M0162A00 - KS 0650.180

A0294A01 - BASE - 69371\_ALL - ROVER A 03-12-2008

POSITION	DRAWING/COMPONENT	DESCRIPTION
1	1208A2218V	COVER L=780
2	1205A1775V	SUPPORT
3	1212A0822V	BOX L=2528
4	2914A1193	GUIDE L=4000
5	0818A0046	RACK L=1000
6	0828A0073	PIN
7	1205A1813	CHAINS SUPPORT
8	6415A0302	CABLE-HOLDER CHAIN
8	M0162A00	CABLE-HOLDER CHAIN KS 0650.180

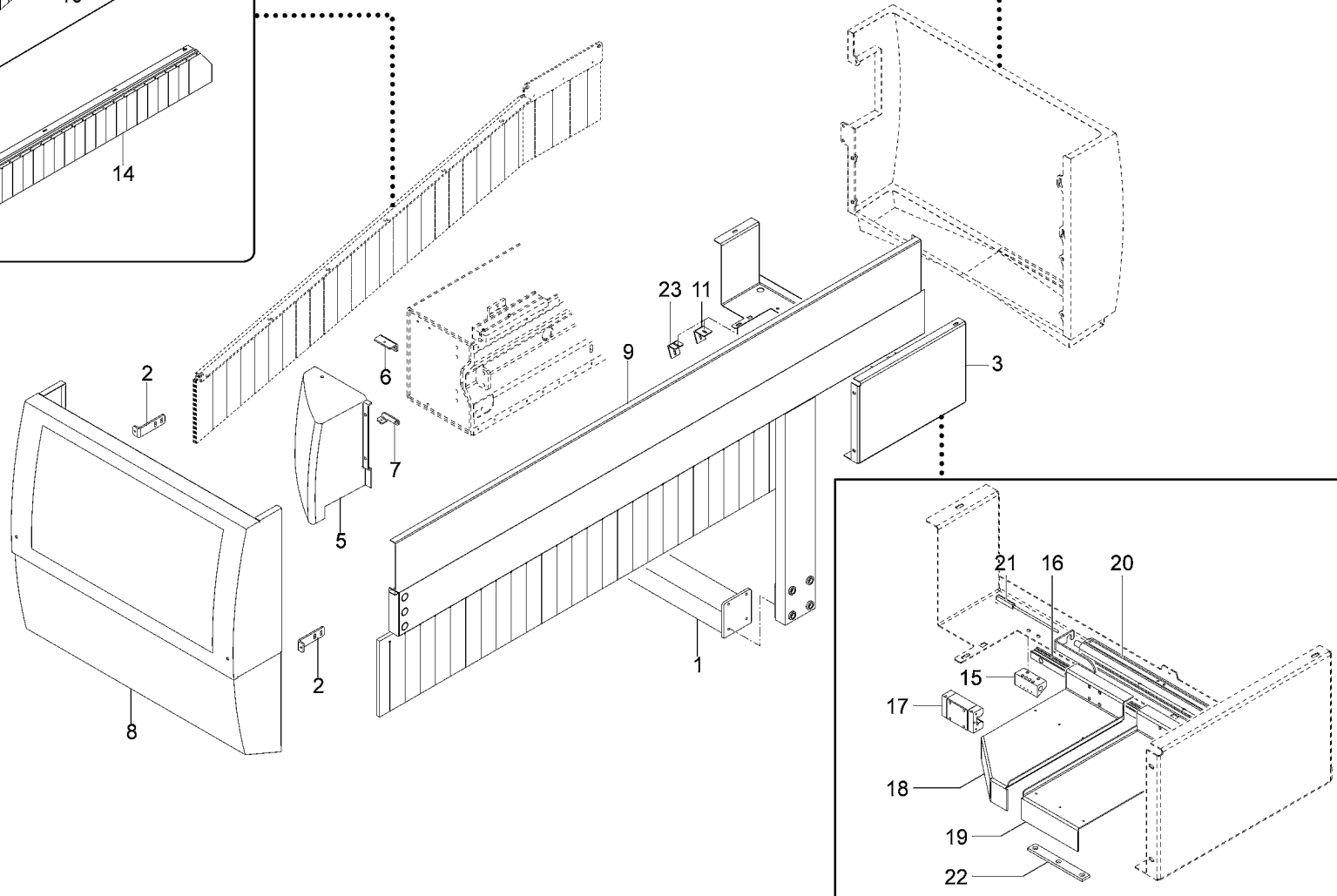
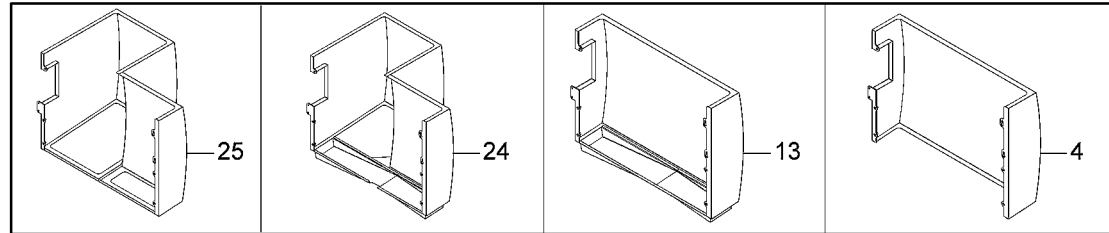
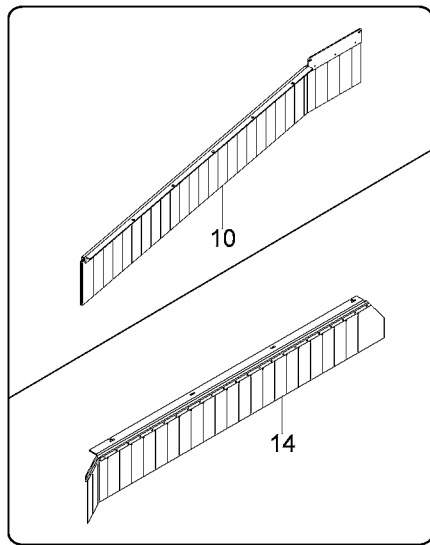


- 1 1212A0865V
- 2 0109DC201C0
- 3 0109D0105A0
- 4 1432A0169 - L=135 mm H=.
- 5 0913A0133
- 6 P0038A00
- 7 1408A0563
- 8 M0164A00
- 9 N0406A00
- 10 N0395A00
- 11 1201A0032
- 12 0801A0361

A0295A01 - BASE - 69371\_ALL - ROVER A 03-12-2008

POSITION	DRAWING/COMPONENT	DESCRIPTION
1	1212A0865V	BOX
2	0109DC201C0	MODULE
3	0109D0105A0	COMMAND UNIT
4	1432A0169	BRUSH L=135 MM H=70 MM
5	0913A0133	DISTRIBUTOR
6	P0038A00	CONTROL MODULE UNIT
7	1408A0563	COVER
8	M0164A00	CONNECTOR
9	N0406A00	ELECTROVALVE
10	N0395A00	ELECTROVALVE
11	1201A0032	FLANGE
12	0801A0361	FLANGE



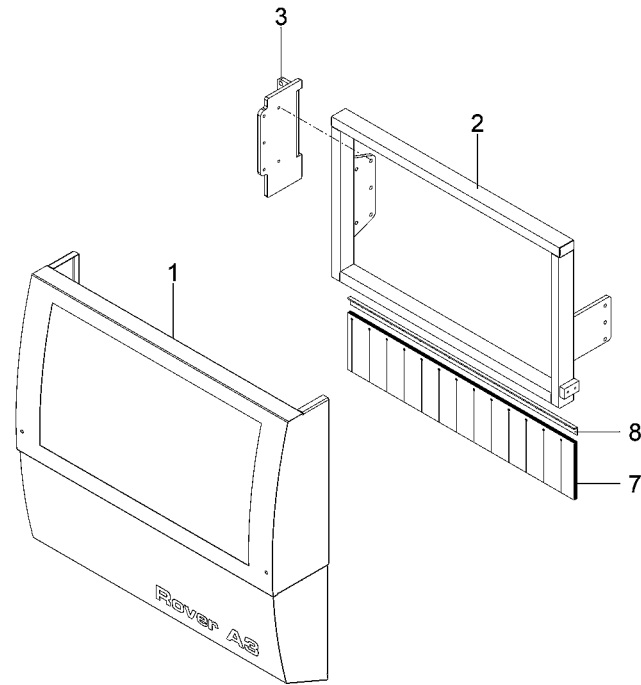


- 1 1205A1732V
- 2 1214A1340
- 3 1208A2515
- 4 1208A2324V
- 5 1408A0570
- 6 1214A1283
- 7 1214A1284
- 8 A0297A01
- 9 A0298A00
- 10 A0299A00
- 11 1214A1400
- 13 1208A2435
- 14 A0327A00
- 15 0914A0763
- 16 2914A1310
- 17 2914A0040
- 18 1208A2517
- 19 1208A2518
- 20 2420A1644
- 21 2164A0075
- 22 1414A0276
- 23 1214A1456
- 24 1208A2546
- 25 1208A2301V

A0296A04 - HEAD CASING - 69371\_ALL - ROVER A 03-12-2008

POSITION	DRAWING/COMPONENT	DESCRIPTION
1	1205A1732V	SUPPORT
2	1214A1340	PLATE
3	1208A2515	CASING
4	1208A2324V	CASING
5	1408A0570	CASING
6	1214A1283	BRACKET
7	1214A1284	PLATE
8	A0297A01	OPERATING SECTION COVER ASSEMBLY
9	A0298A00	OPERATING SECTION COVER ASSEMBLY
10	A0299A00	OPERATING SECTION COVER ASSEMBLY
11	1214A1400	SMALL PLATE
13	1208A2435	CASING
14	A0327A00	HEAD CASING
15	0914A0763	BLOCK
16	2914A1310	GUIDE
17	2914A0040	SLIDE BLOCK
18	1208A2517	CASING
19	1208A2518	CASING
20	2420A1644	CYLINDER
21	2164A0075	SENSOR
22	1414A0276	BLOCK
23	1214A1456	FIXING PLATE
24	1208A2546	CASING
25	1208A2301V	CASING

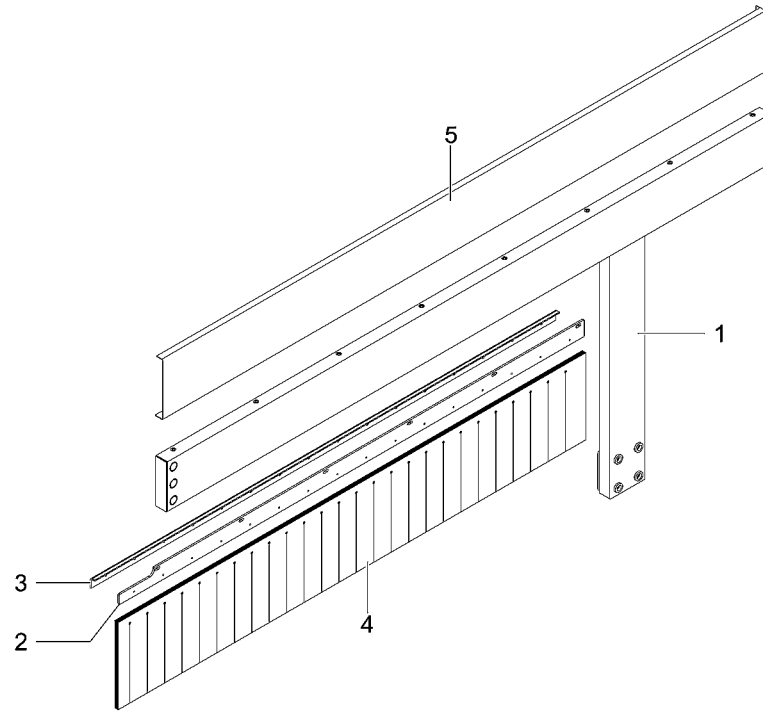
- 1 1608A0055
- 2 1203A0140V
- 3 1214A1272V
- 7 1708A0190
- 8 1214A1545



## A0297A01 - OPERATING SECTION COVER ASSEMBLY - 69371\_ALL - ROVER A 03-12-2008

POSITION	DRAWING/COMPONENT	DESCRIPTION
1	1608A0055	CASING
2	1203A0140V	FRAME
3	1214A1272V	BRACKET
7	1708A0190	CURTAIN GUARDS
8	1214A1545	BRACKET

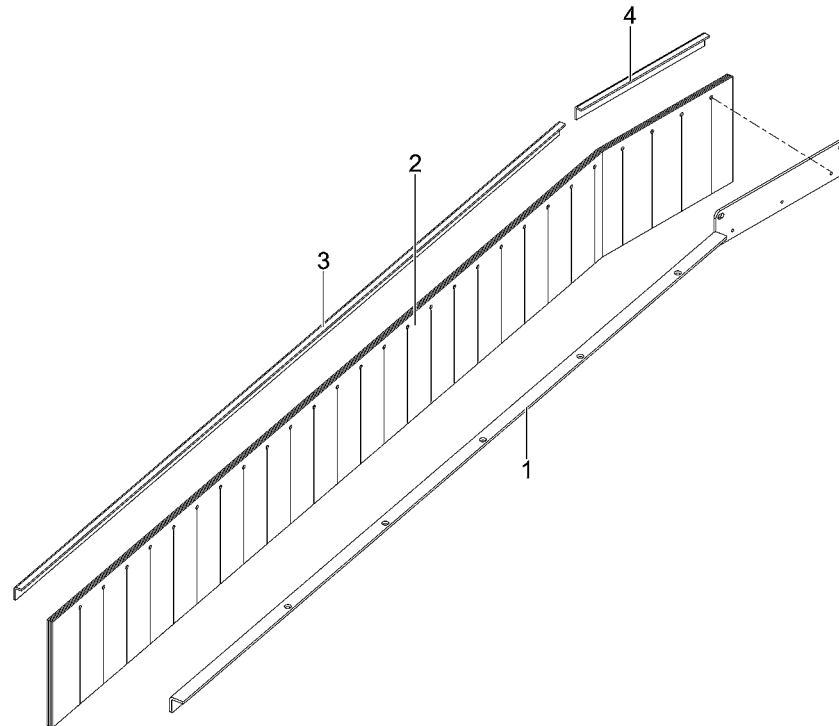
- 1 1203A0129V
- 2 1214A1275V
- 3 1214A1544
- 4 1708A0172
- 5 1208A2296V



A0298A00 - OPERATING SECTION COVER ASSEMBLY - 69371\_ALL - ROVER A 03-12-2008

POSITION	DRAWING/COMPONENT	DESCRIPTION
1	1203A0129V	FRAME
2	1214A1275V	PLATE
3	1214A1544	BRACKET
4	1708A0172	CURTAIN GUARDS
5	1208A2296V	CASING

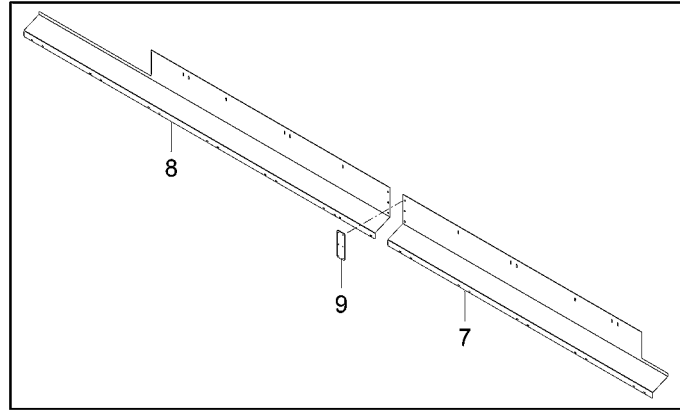
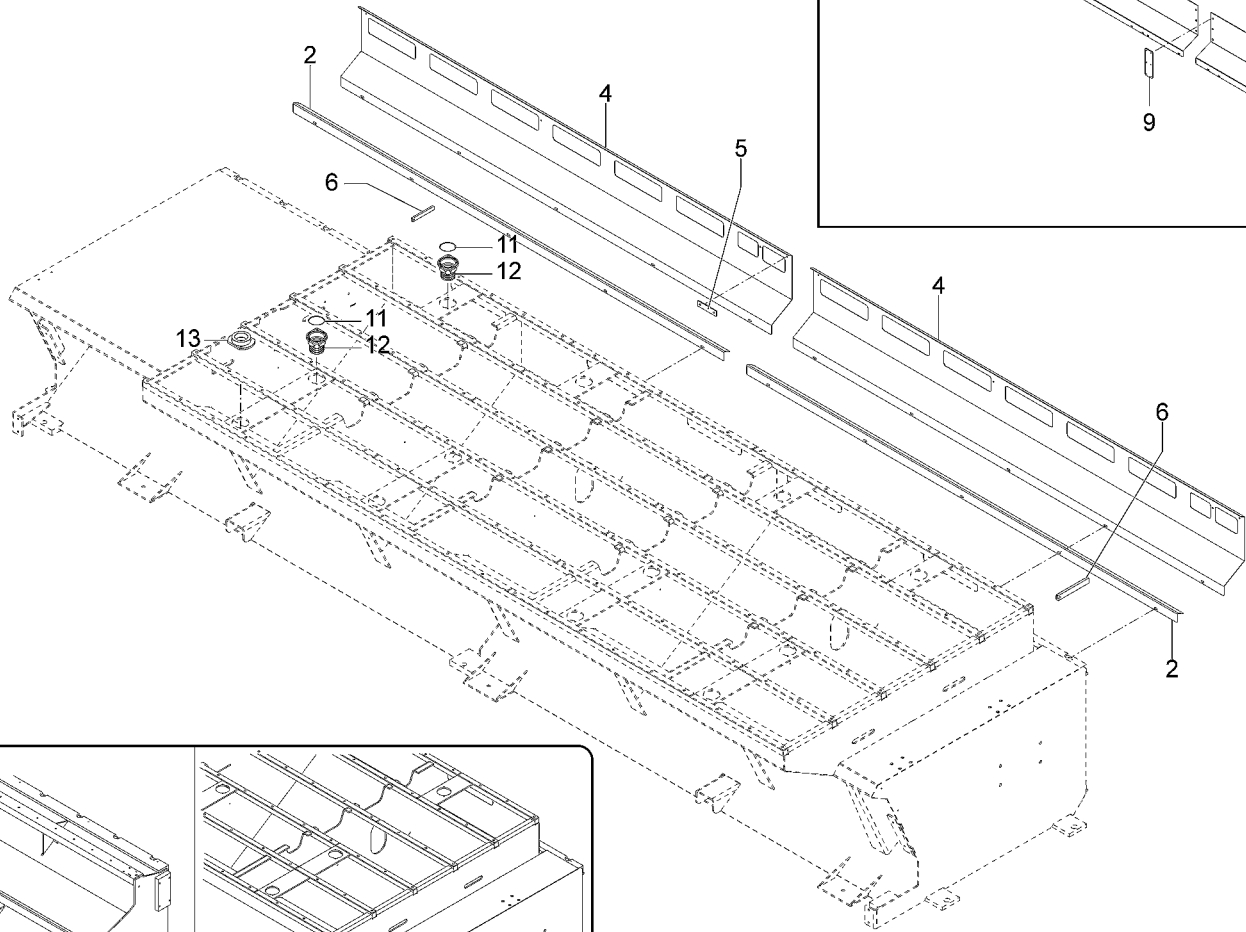
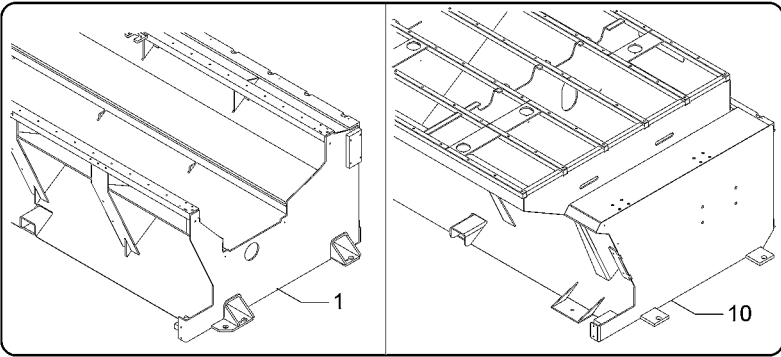
- 1 1214A1278V
- 2 1708A0171
- 3 1214A1546
- 4 1214A1547

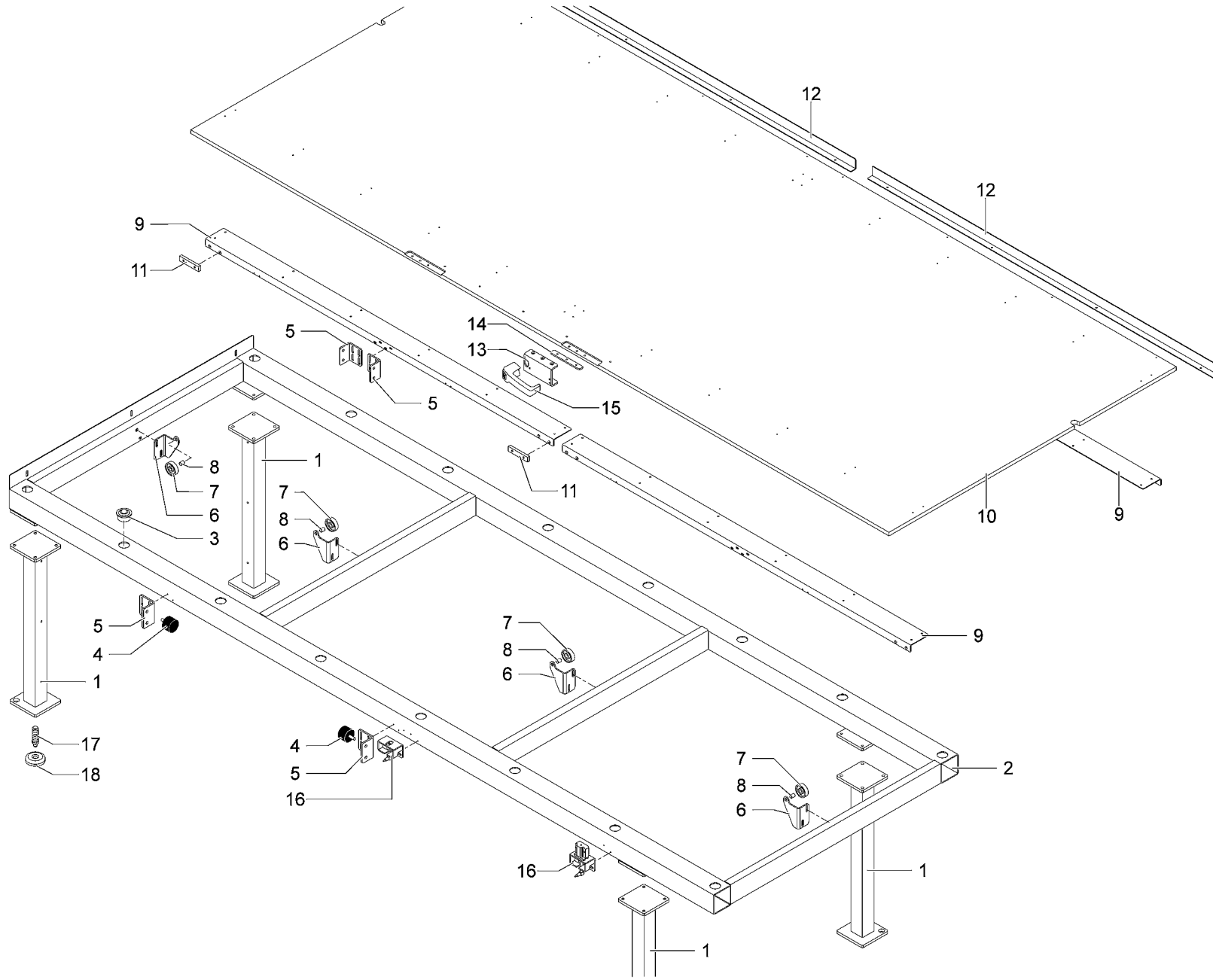


A0299A00 - OPERATING SECTION COVER ASSEMBLY - 69371\_ALL - ROVER A 03-12-2008

POSITION	DRAWING/COMPONENT	DESCRIPTION
1	1214A1278V	PLATE
2	1708A0171	CURTAIN GUARDS
3	1214A1546	BRACKET
4	1214A1547	BRACKET

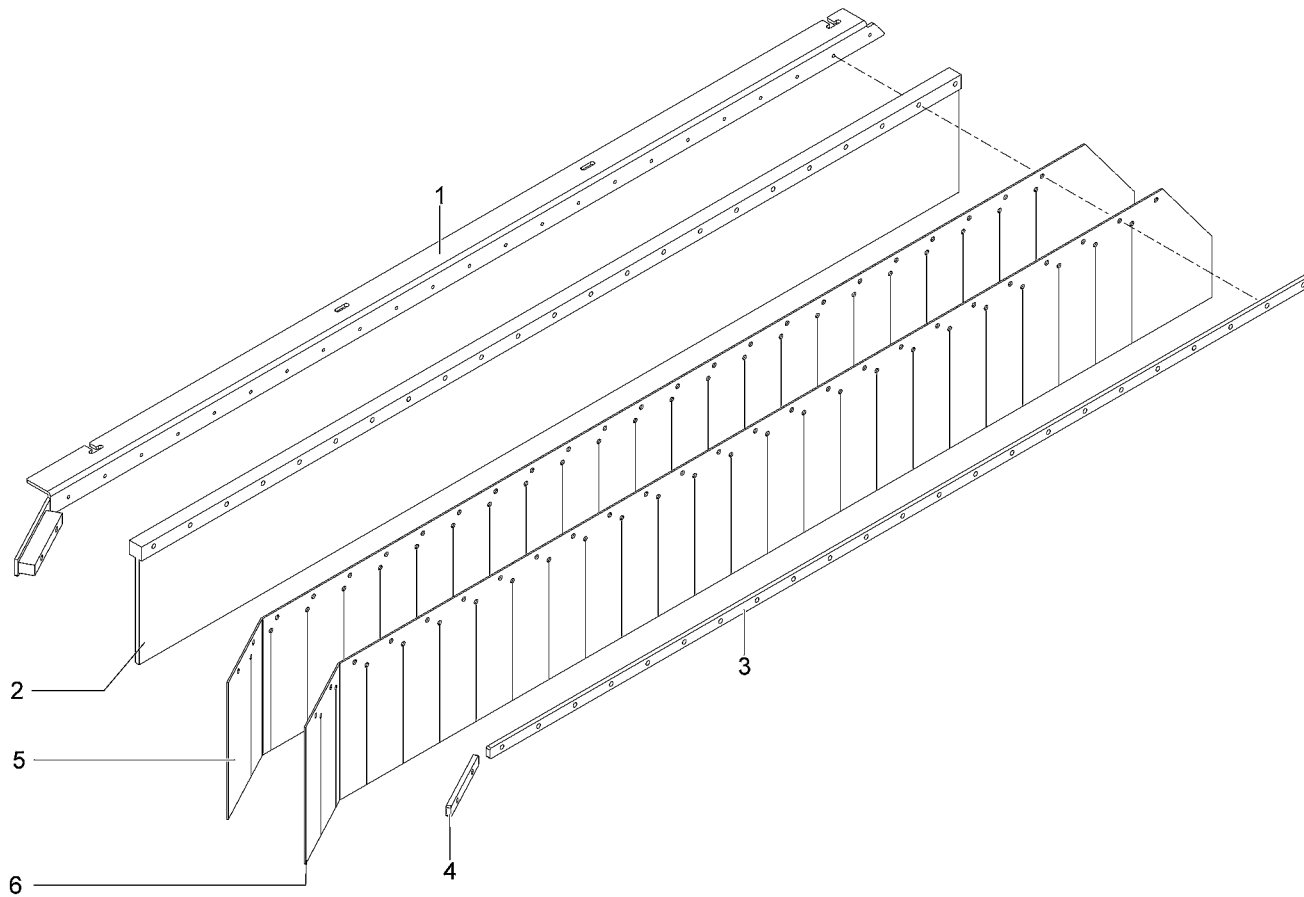




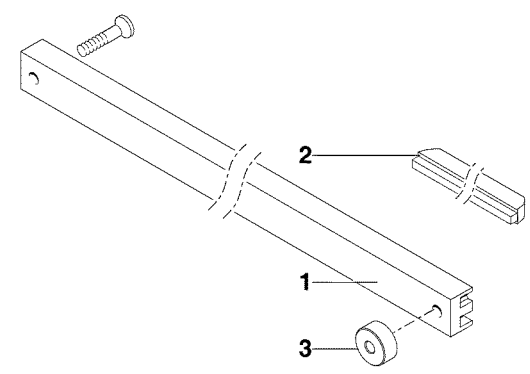
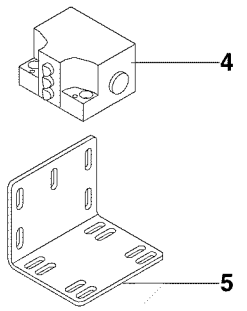
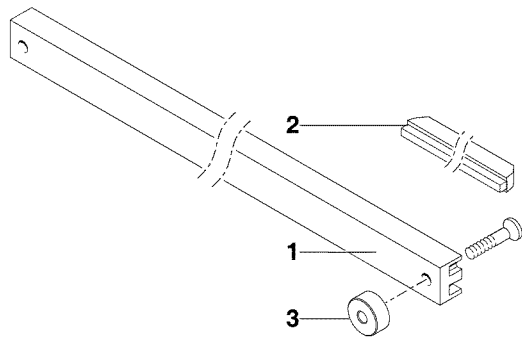


A0303A00 - BASE - 69371\_ALL - ROVER A 03-12-2008

POSITION	DRAWING/COMPONENT	DESCRIPTION
16	N0364A00	WORK TABLE LOCKING



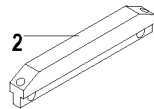
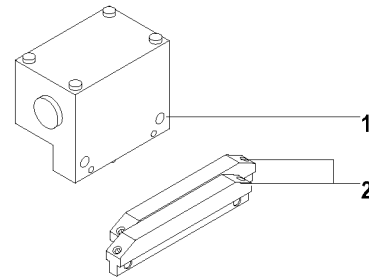
- 1 0911A0112 - L=7190
- 2 161402701 - L=105
- 3 080633500
- 4 H0249A03
- 5 1205A1368



B0384A00 - X-AXIS LIMIT SWITCH - 69371\_ALL - ROVER A 03-12-2008

POSITION	DRAWING/COMPONENT	DESCRIPTION
1	0911A0112	GUIDE L=7190
2	161402701	CAM L=105
3	080633500	SPACER
4	H0249A03	SAFETY LIMIT SWITCH
5	1205A1368	SUPPORT

- 1 H0249A03
- 2 161402701 - L=105

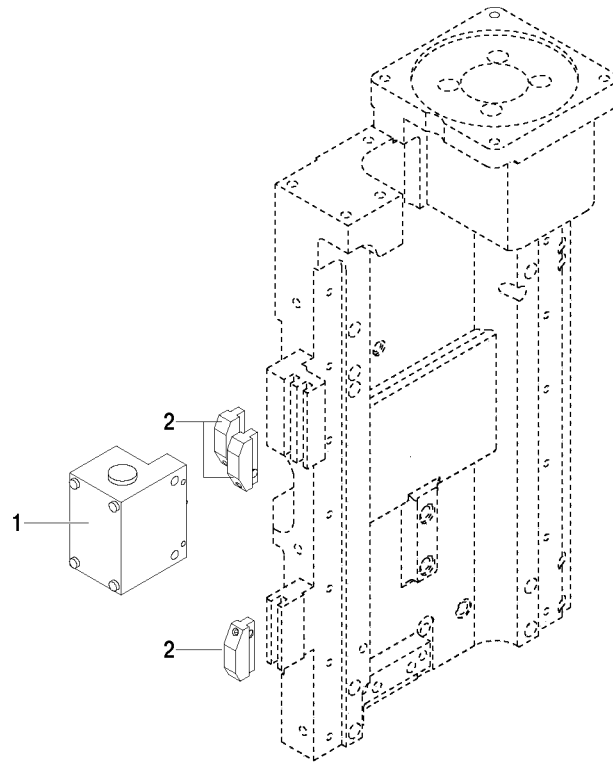


B0409A00 - AXIS Y LIMIT SWITCH - 69371\_ALL - ROVER A 03-12-2008

POSITION	DRAWING/COMPONENT	DESCRIPTION
1	H0249A03	SAFETY LIMIT SWITCH
2	161402701	CAM L=105

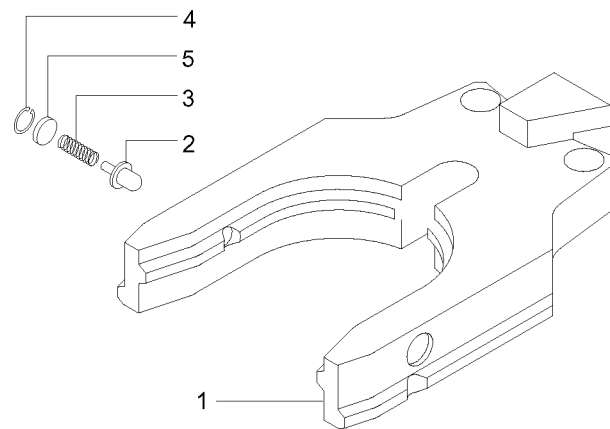


- 1 H0249A03
- 2 1709A0008



B0410A00 - Z-AXIS LIMIT SWITCH - 69371\_ALL - ROVER A 03-12-2008

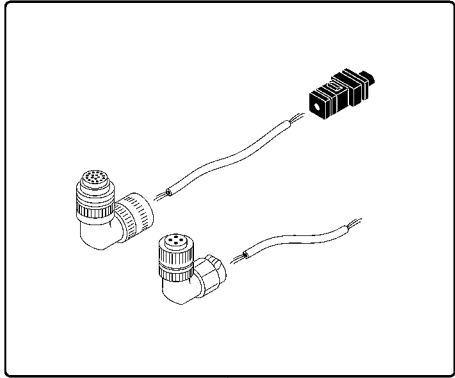
POSITION	DRAWING/COMPONENT	DESCRIPTION
1	H0249A03	SAFETY LIMIT SWITCH
2	1709A0008	CAM ASSEMBLY



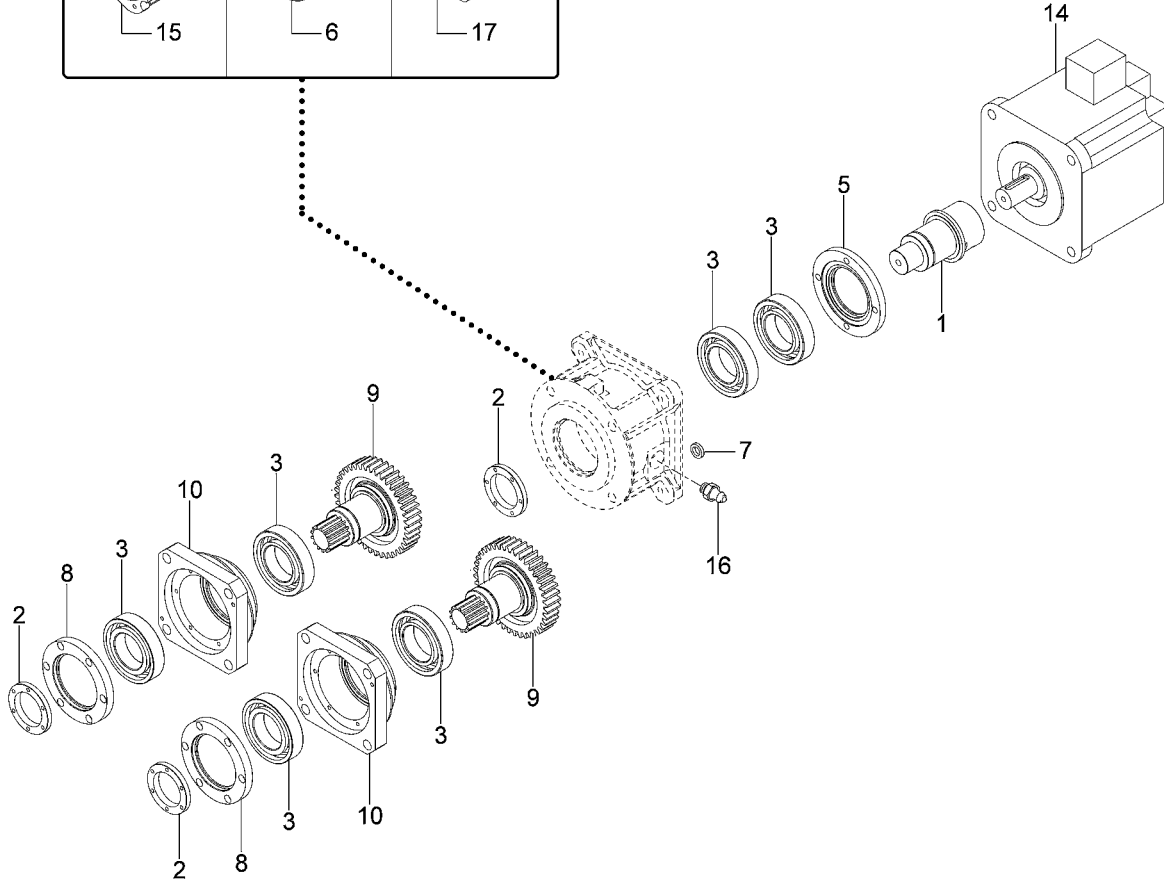
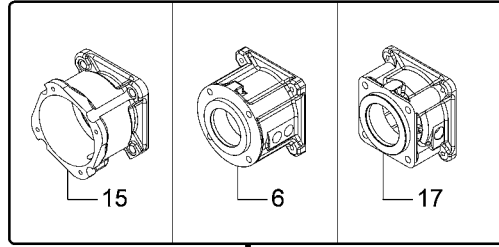
- 1 0805A0315 - HSK
- 1 0805A0381 - ISO
- 2 082041000
- 3 2801A0016 - De=9,5 Di=7..
- 4 302913000 - 10 UNI 7437
- 5 1117A0002 - H=2,5

B0415A00 - COLLET - 69371\_ALL - ROVER A 03-12-2008

POSITION	DRAWING/COMPONENT	DESCRIPTION
1	0805A0315	SUPPORT HSK
1	0805A0381	SUPPORT ISO
2	082041000	PIN
3	2801A0016	SPRING DE=9,5 DI=7,5
4	302913000	SNAP RING 10 UNI 7437
5	1117A0002	BUSHING H=2,5



11

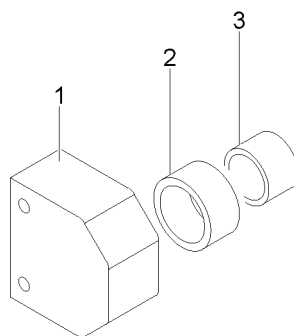


- 1 1621A0047 - Z=12
- 2 0804A0291 - L=101mm
- 3 2903A0035
- 5 0801A0444
- 7 0804A0207
- 8 0801A0431
- 9 1621A0053
- 10 0705A0097
- 11 P0071A00
- 14 M0222A01
- 15 0905A1906
- 16 260500700

B0449A04 - X AXIS DRIVE - 69371\_ALL - ROVER A 03-12-2008

POSITION	DRAWING/COMPONENT	DESCRIPTION
1	1621A0047	PINION Z=12
2	0804A0291	RING NUT L=101MM
3	2903A0035	BEARING
5	0801A0444	FLANGE
7	0804A0207	WASHER
8	0801A0431	FLANGE
9	1621A0053	GEAR
10	0705A0097	PANEL SUPPORT BAR
11	P0071A00	CONNECTOR
14	M0222A01	X AXIS MOTOR DRIVE
15	0905A1906	SUPPORT
16	260500700	GREASING NIPPLE

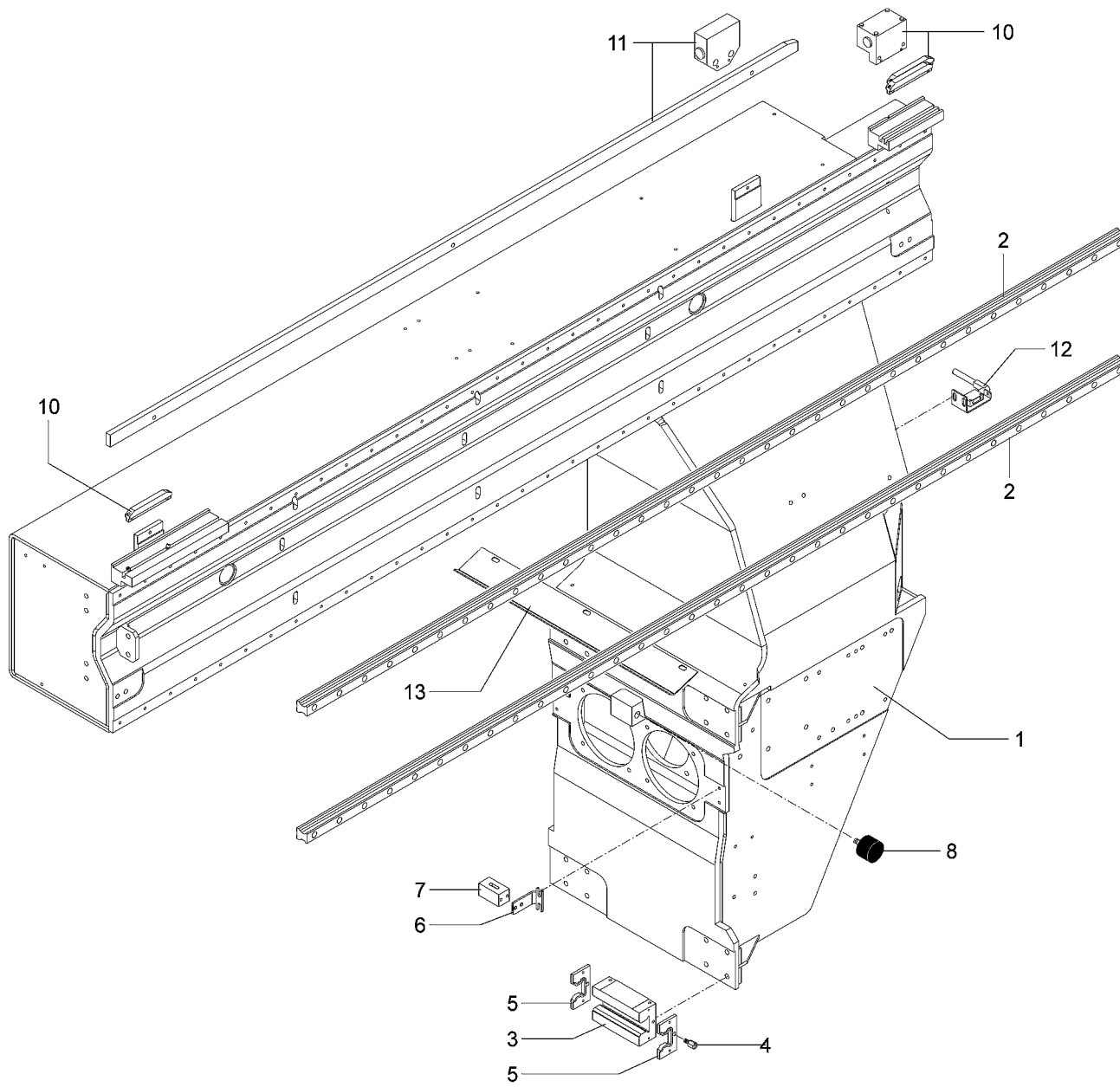
- 1 0905A0716
- 2 2906A0008
- 3 2906A0009 - LR 20 X 25 ..



B0451A00 - SUPPORT - 69371\_ALL - ROVER A 03-12-2008

POSITION	DRAWING/COMPONENT	DESCRIPTION
1	0905A0716	SUPPORT
2	2906A0008	HOLDER
3	2906A0009	RING LR 20 X 25 X 16.5



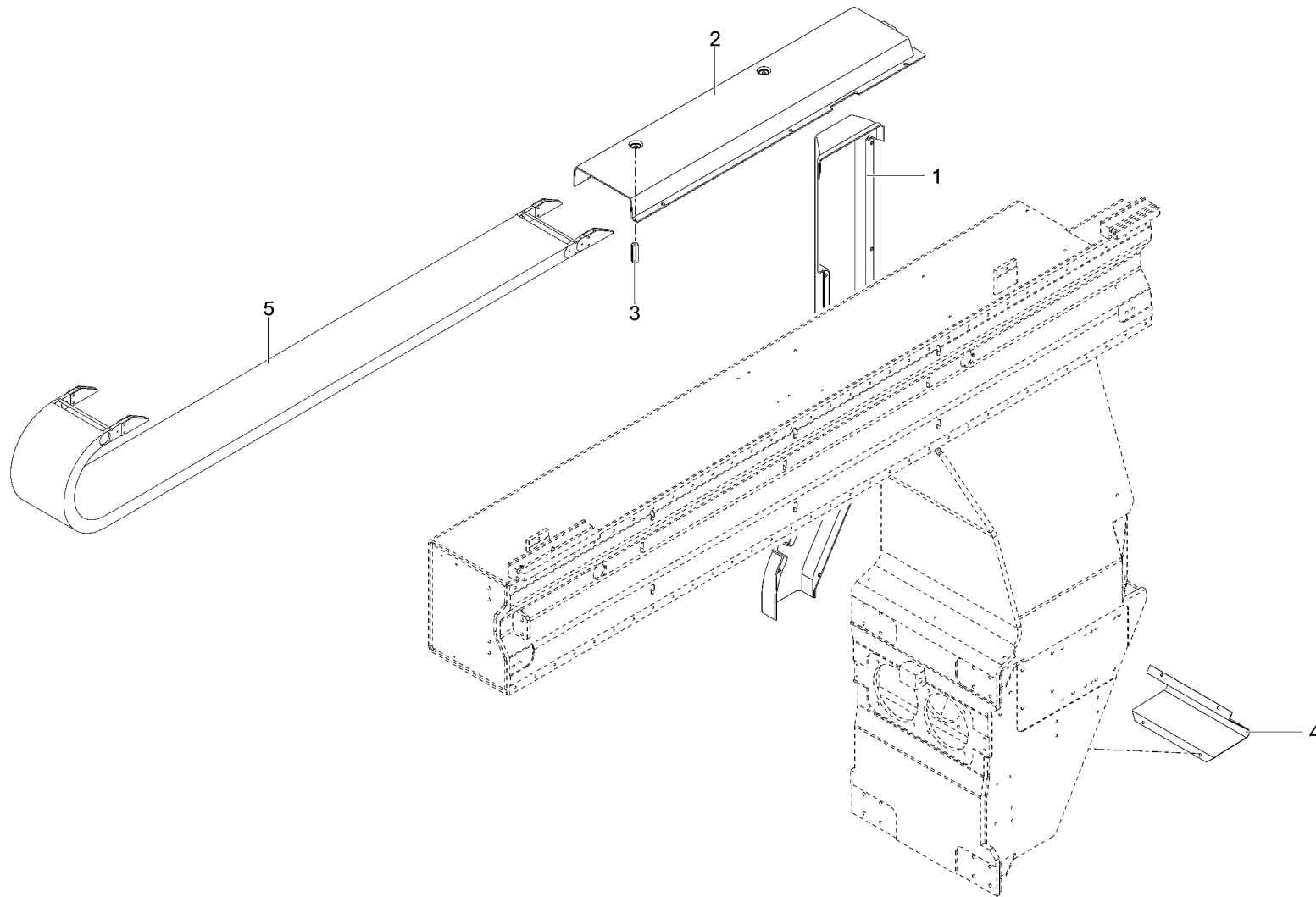


- 1 1311A0116V
- 2 2914A1170
- 3 2914A0722
- 4 080662500 - H=23
- 5 312005900 - H=35 mm
- 6 1205A1696
- 7 0913A0131
- 8 201800400 - 781083 ANGS..
- 10 B0409A00
- 11 H0289A01
- 12 P0083A00
- 13 1208A2300V

## B0493A02 - CARRIAGE UNIT - 69371\_ALL - ROVER A 03-12-2008

POSITION	DRAWING/COMPONENT	DESCRIPTION
1	1311A0116V	CARRIAGE
2	2914A1170	GUIDE
3	2914A0722	SLIDE BLOCK
4	080662500	SPACER H=23
5	312005900	SCRAPER H=35 MM
6	1205A1696	BRACKET
7	0913A0131	DISTRIBUTOR
8	201800400	BUFFER 781083 ANGST PFISTER
10	B0409A00	AXIS Y LIMIT SWITCH
11	H0289A01	AXIS Y LIMIT SWITCH
12	P0083A00	PHOTOCELL
13	1208A2300V	CASING

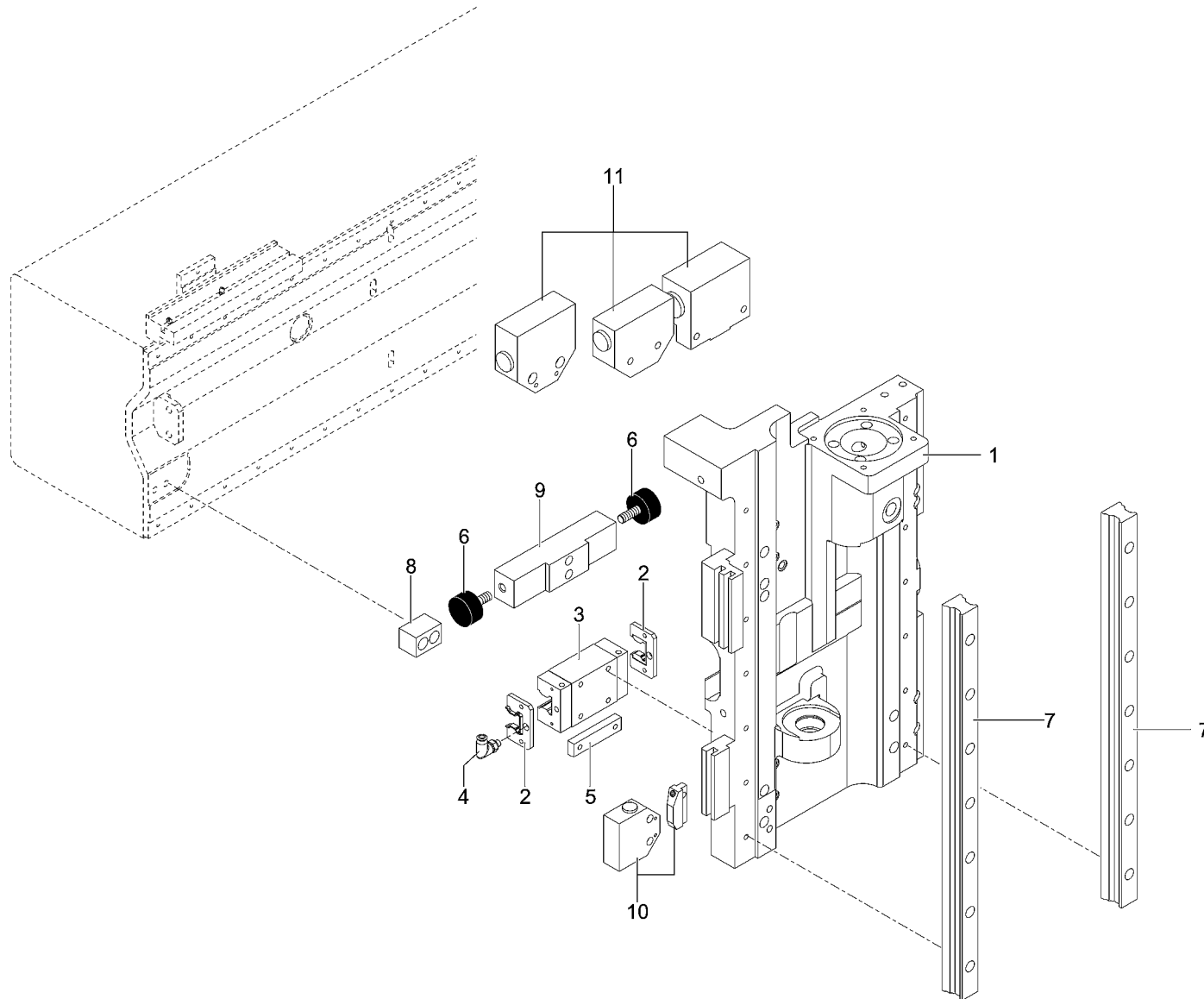
- 1 1408A0573
- 2 1408A0572
- 3 0806A0631
- 4 1208A2309V
- 5 6415A0362



B0494A00 - CABLE RACEWAYS - 69371\_ALL - ROVER A 03-12-2008

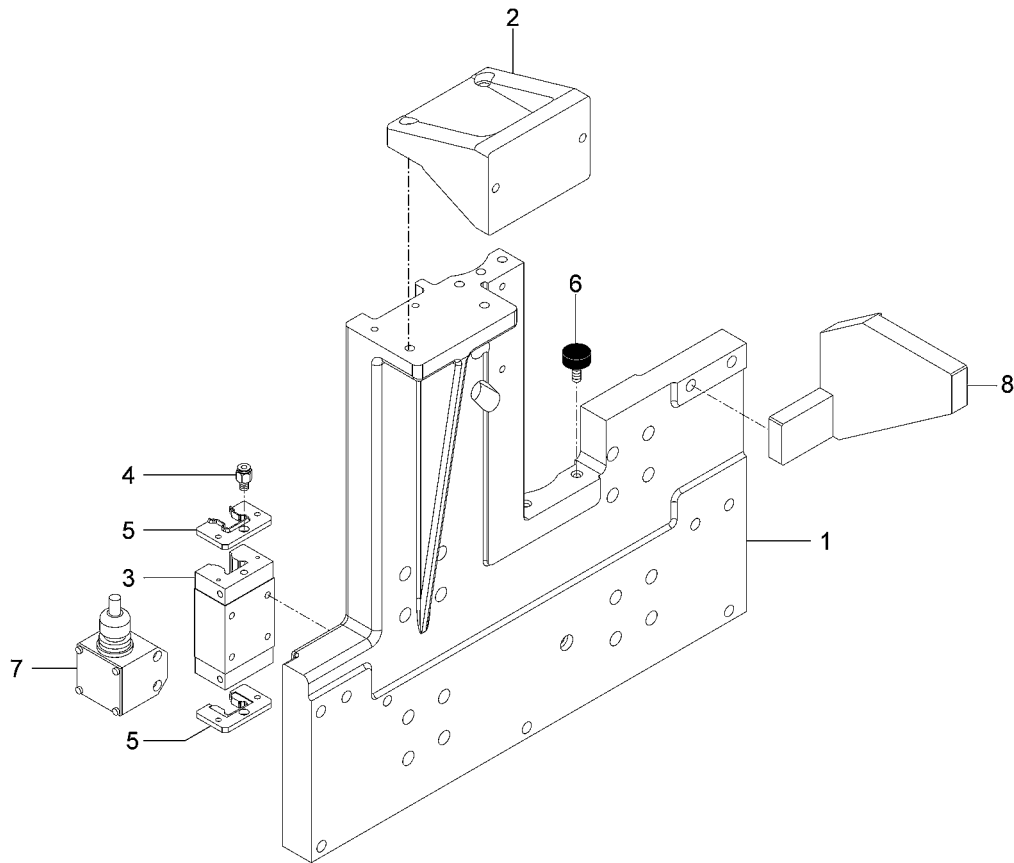
POSITION	DRAWING/COMPONENT	DESCRIPTION
1	1408A0573	CASING
2	1408A0572	CASING
3	0806A0631	SPACER
4	1208A2309V	CASING
5	6415A0362	CABLE-HOLDER CHAIN

- 1 0911A0403
- 2 3120A0010 - H=25 mm
- 3 291403000 - 1622-223-20
- 4 080662500 - H=23
- 5 0814A0367
- 6 2018A0013 - 30x15
- 7 2914A1171
- 8 0814A0904
- 9 0814A1483
- 10 B0410A00
- 11 H0249A03



## B0495A00 - Z AXIS CARRIAGE - 69371\_ALL - ROVER A 03-12-2008

POSITION	DRAWING/COMPONENT	DESCRIPTION
1	0911A0403	Y AXIS CARRIAGE
2	3120A0010	SCRAPER H=25 MM
3	291403000	SLIDE BLOCK 1622-223-20
4	080662500	SPACER H=23
5	0814A0367	PLATE
6	2018A0013	BUFFER 30X15
7	2914A1171	GUIDE
8	0814A0904	PLATE
9	0814A1483	PLATE
10	B0410A00	Z-AXIS LIMIT SWITCH
11	H0249A03	SAFETY LIMIT SWITCH



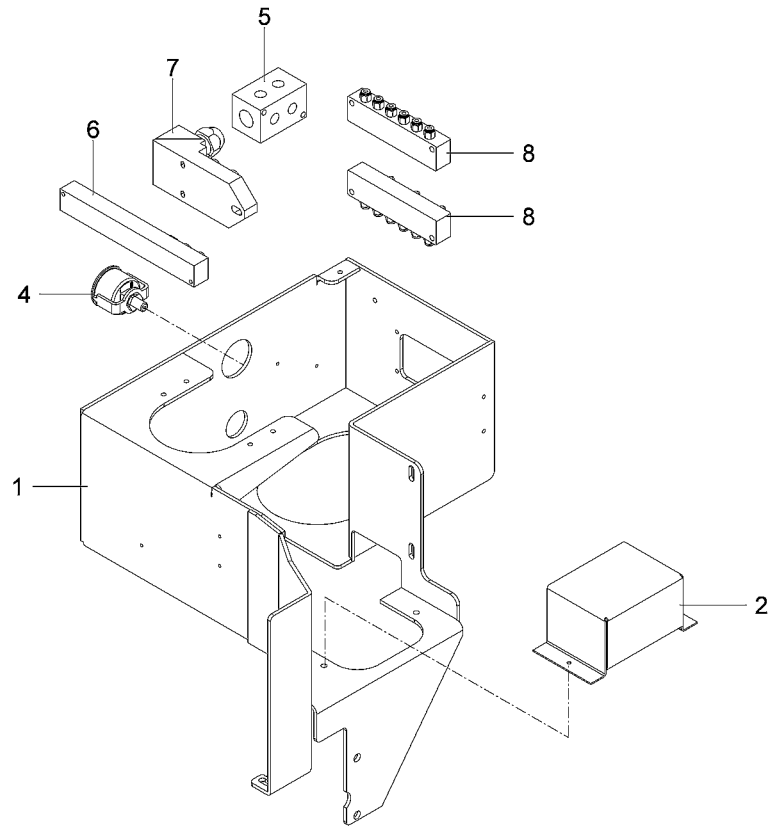
- 1 0911A0451
- 2 0905A1549
- 3 291403000 - 1622-223-20
- 4 080662500 - H=23
- 5 3120A0010 - H=25 mm
- 6 201800600 - 20x8,5
- 7 2104A0217
- 8 1305A0499

B0496A01 - Z AXIS CARRIAGE - 69371\_ALL - ROVER A 03-12-2008

POSITION	DRAWING/COMPONENT	DESCRIPTION
1	0911A0451	Z AXIS CARRIAGE
2	0905A1549	SUPPORT
3	291403000	SLIDE BLOCK 1622-223-20
4	080662500	SPACER H=23
5	3120A0010	SCRAPER H=25 MM
6	201800600	BUMPER 20X8,5
7	2104A0217	LIMIT SWITCH
8	1305A0499	SUPPORT

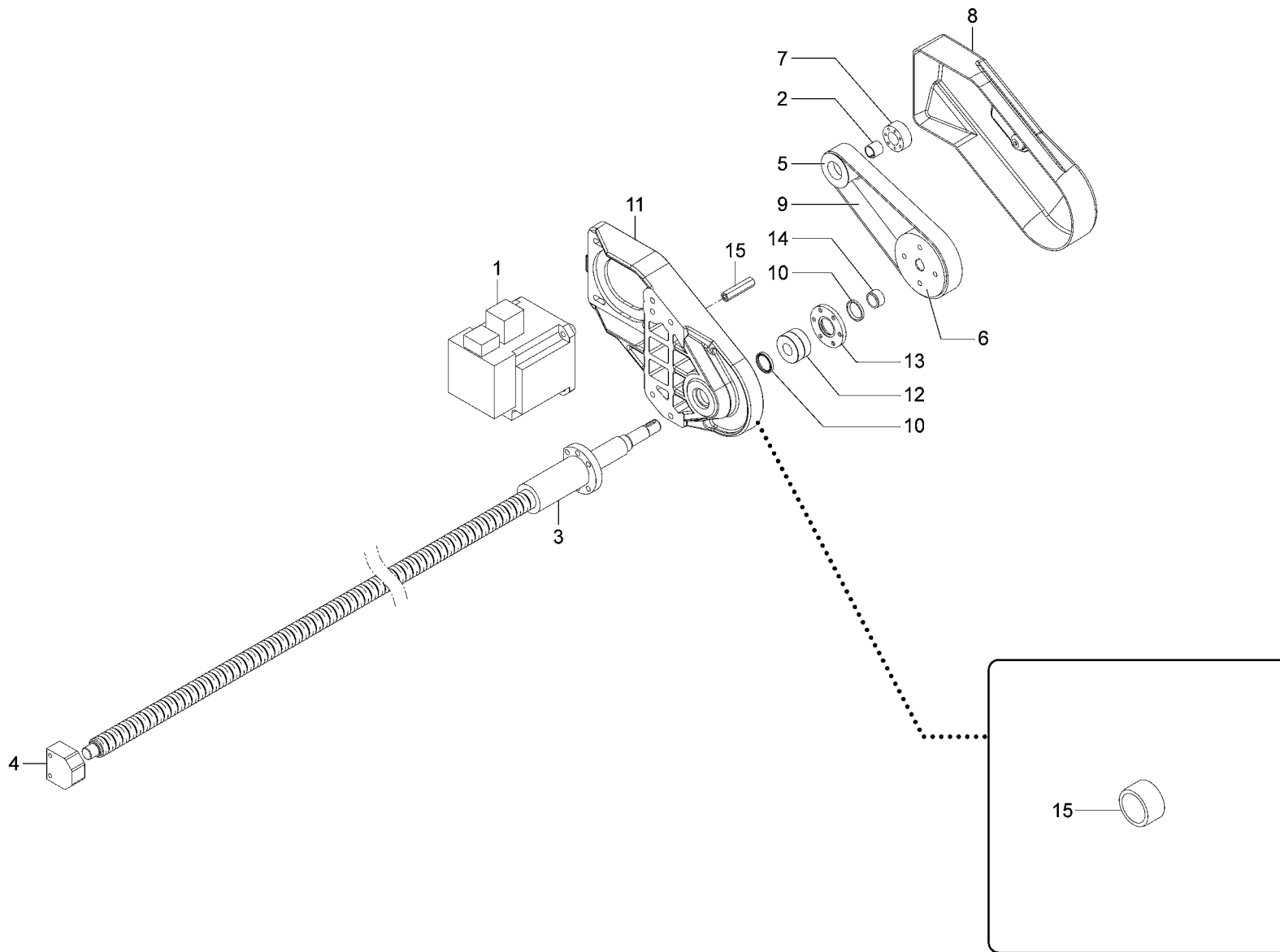


- 1 1205A1774V
- 2 1208A2387
- 4 242401500 - M3F-40 PNEU..
- 5 0913A0133
- 6 0109DC201C0
- 7 P0070A02
- 8 N0279A00



B0497A01 - CABLE RACEWAYS - 69371\_ALL - ROVER A 03-12-2008

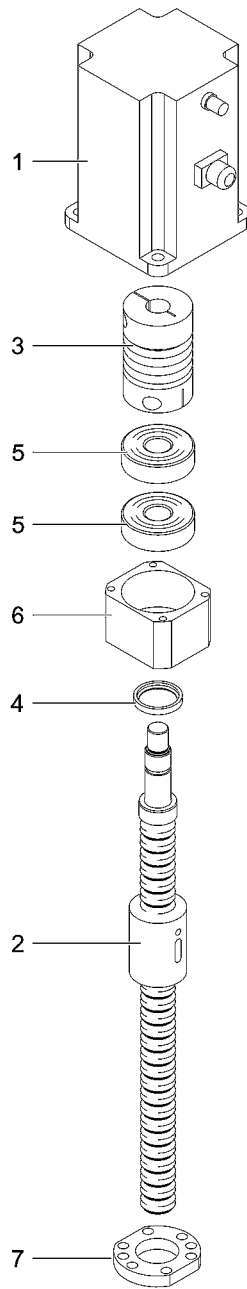
POSITION	DRAWING/COMPONENT	DESCRIPTION
1	1205A1774V	CHAINS SUPPORT
2	1208A2387	COVER
4	242401500	PRESSURE GAUGE M3F-40 PNEUMATEC
5	0913A0133	DISTRIBUTOR
6	0109DC201C0	MODULE
7	P0070A02	WIRING BOX
8	N0279A00	LUBRICATION SYSTEM



- 1 2201A0394 - SGMGH-05DCA.
- 2 0806A0276
- 3 0815A0362
- 4 B0451A00
- 5 0922A0121
- 6 0922A0197 - Z=72
- 7 270708100
- 8 1408A0651
- 9 2701A0379 - L=700
- 10 311403900 - G26X34X4
- 11 0914A0952
- 12 2903A0038
- 13 0801A0090
- 14 0806A0528
- 15 0804A0366

## B0498A02 - Y AXIS DRIVE UNIT - 69371\_ALL - ROVER A 03-12-2008

POSITION	DRAWING/COMPONENT	DESCRIPTION
1	2201A0394	MOTOR SGMGH-05DCA YG13
2	0806A0276	SPACER
3	0815A0362	NUT SCREW
4	B0451A00	SUPPORT
5	0922A0121	PULLEY
6	0922A0197	PULLEY Z=72
7	270708100	KEYING DEVICE
8	1408A0651	COVER
9	2701A0379	BELT L=700
10	311403900	RING G26X34X4
11	0914A0952	PLATE
12	2903A0038	BEARING
13	0801A0090	FLANGE
14	0806A0528	SPACER
15	0804A0366	NUT

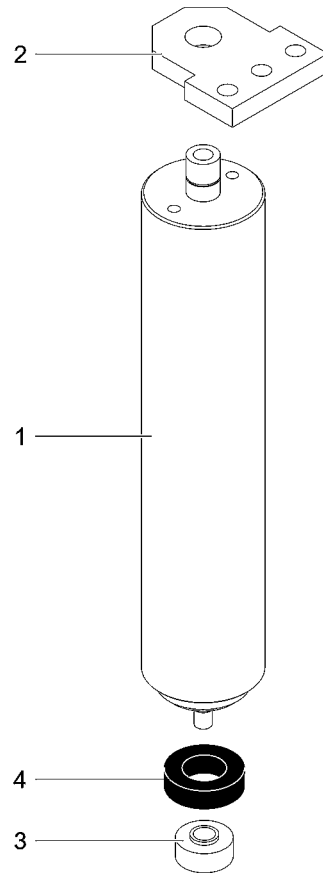


- 1 2204A0092
- 2 0815A0351
- 3 2707A0351
- 4 311403300
- 5 2904A0367
- 6 0817A0173
- 7 0801A0356

B0499A00 - DRIVE UNIT - 69371\_ALL - ROVER A 03-12-2008

POSITION	DRAWING/COMPONENT	DESCRIPTION
1	2204A0092	MOTOR
2	0815A0351	NUT SCREW
3	2707A0351	JOINT
4	311403300	SEAL RING
5	2904A0367	BEARING
6	0817A0173	BUSHING
7	0801A0356	FLANGE

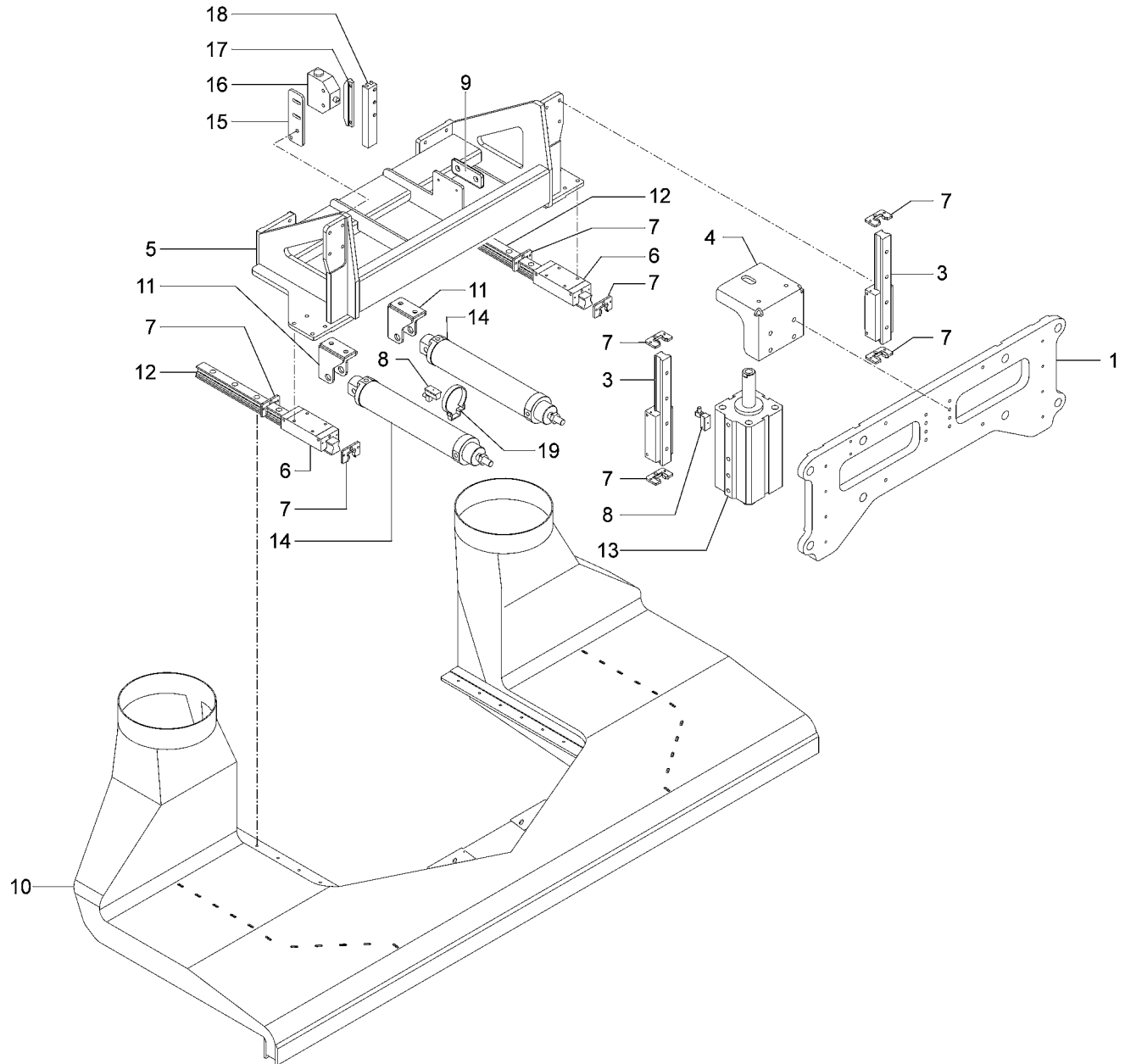
- 1 2419A0101
- 2 0814A0533
- 3 291901300 - K-S10-DIN 6..
- 4 1406A0023



B0500A00 - COMPENSATION DEVICE - 69371\_ALL - ROVER A 03-12-2008

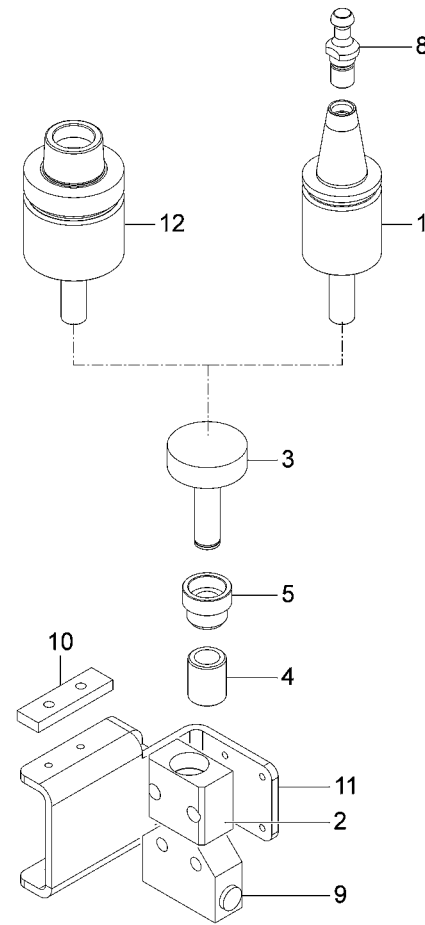
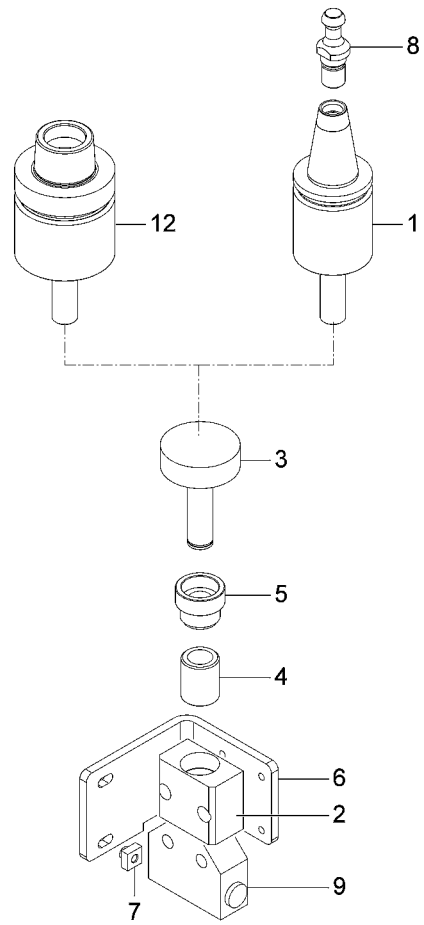
POSITION	DRAWING/COMPONENT	DESCRIPTION
1	2419A0101	PISTON
2	0814A0533	PLATE
3	291901300	ARTICULATED JOINT K-S10-DIN 648 ASKUBAL
4	1406A0023	RING





B0501A02 - UNLOADER - 69371\_ALL - ROVER A 03-12-2008

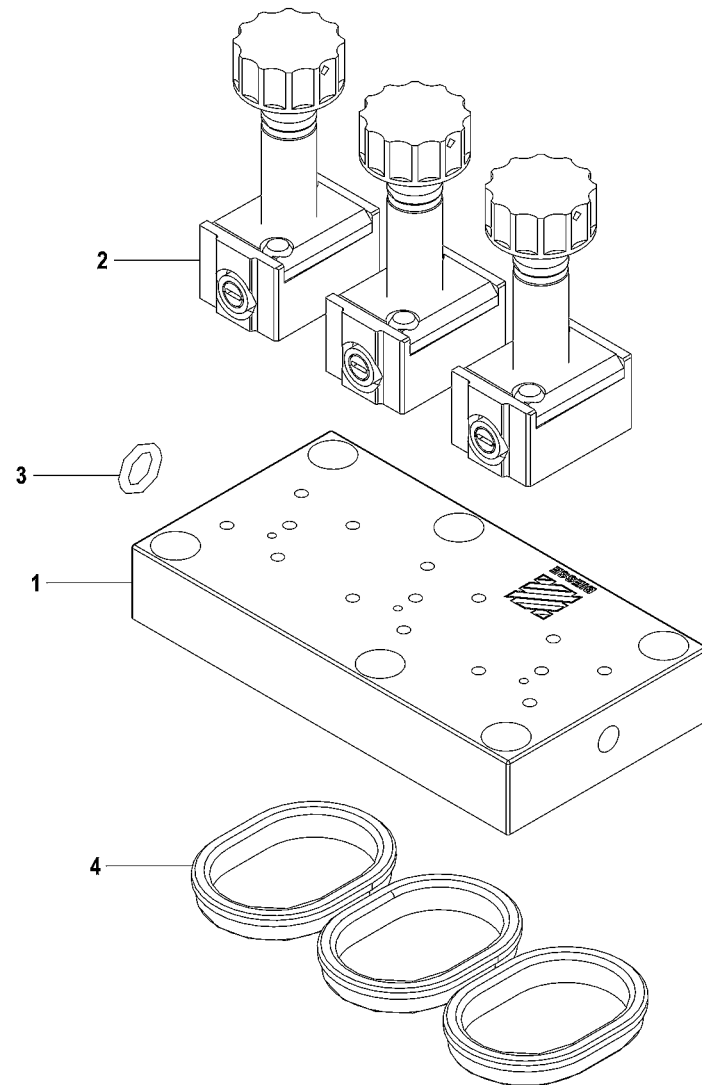
POSITION	DRAWING/COMPONENT	DESCRIPTION
16	H0249A03	SAFETY LIMIT SWITCH



B0523A00 - PRESETTING UNIT - 69371\_ALL - ROVER A 03-12-2008

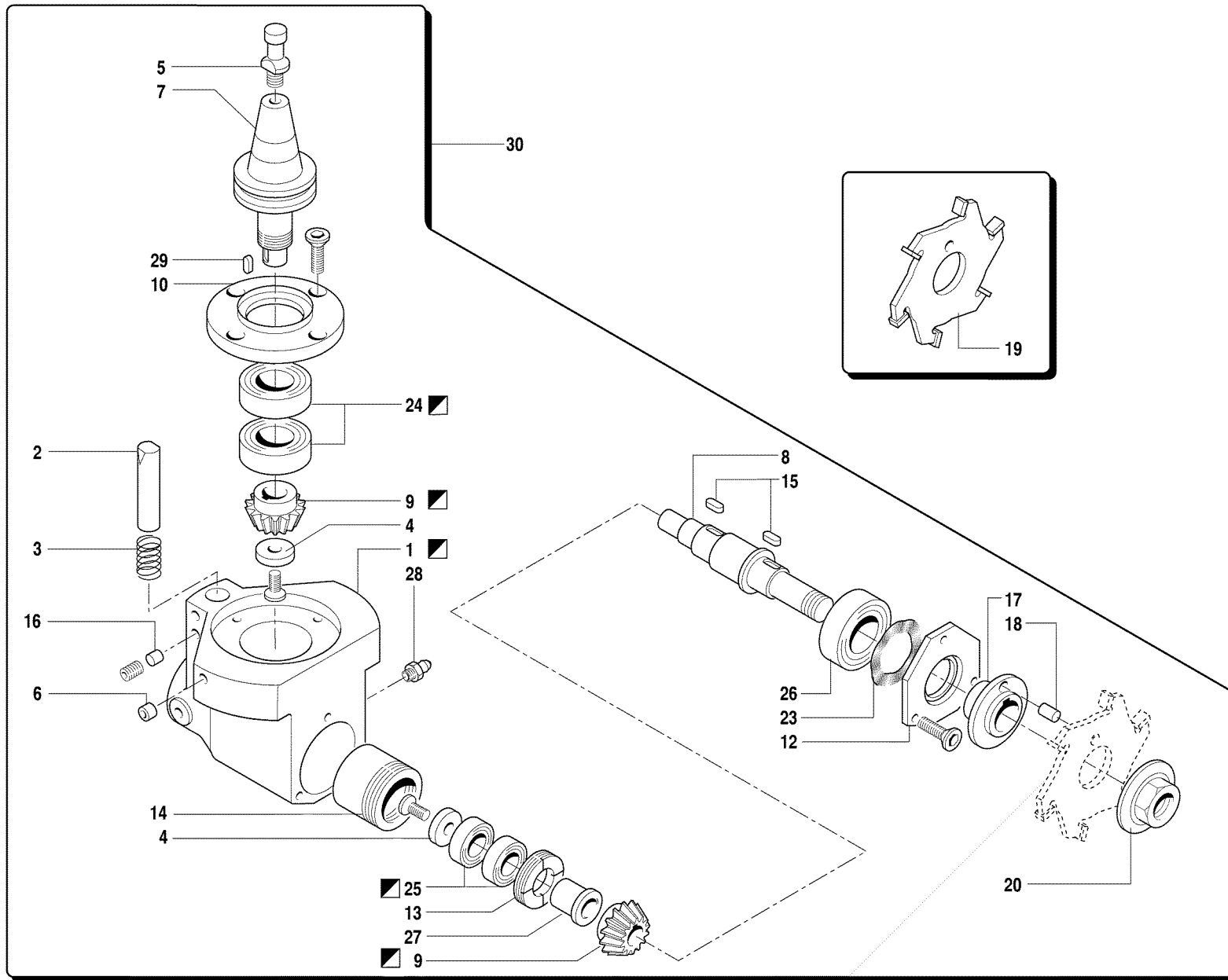
POSITION	DRAWING/COMPONENT	DESCRIPTION
9	H0249A03	SAFETY LIMIT SWITCH

- 1 1413A0002 - L=96
- 2 2309A0002
- 3 311000800
- 4 1419A0014



C0192K00 - DISTRIBUTOR - 69371\_ALL - ROVER A 03-12-2008

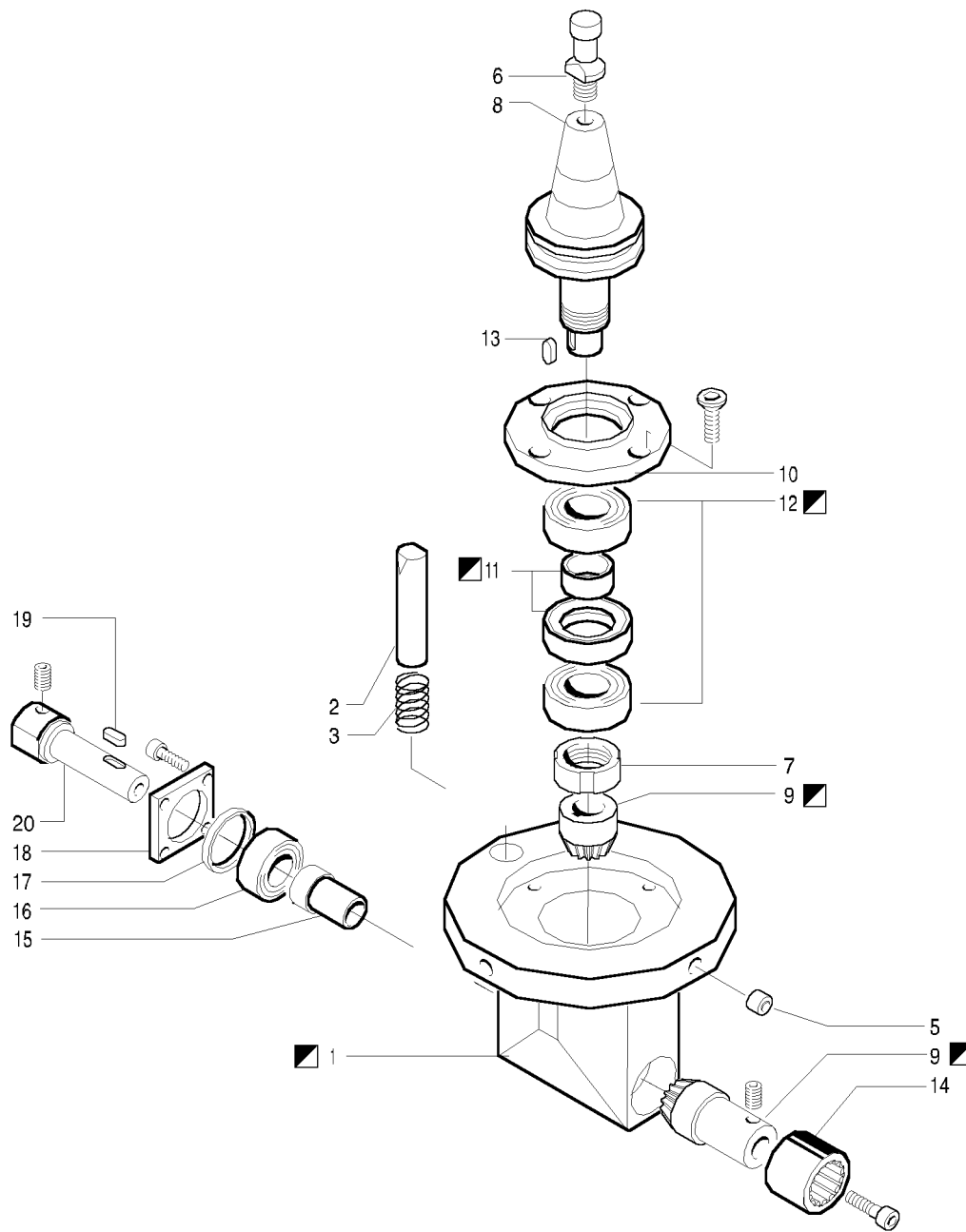
POSITION	DRAWING/COMPONENT	DESCRIPTION
1	1413A0002	DISTRIBUTOR L=96
2	2309A0002	COIL MECHANICS
3	311000800	SEAL RING
4	1419A0014	GASKET

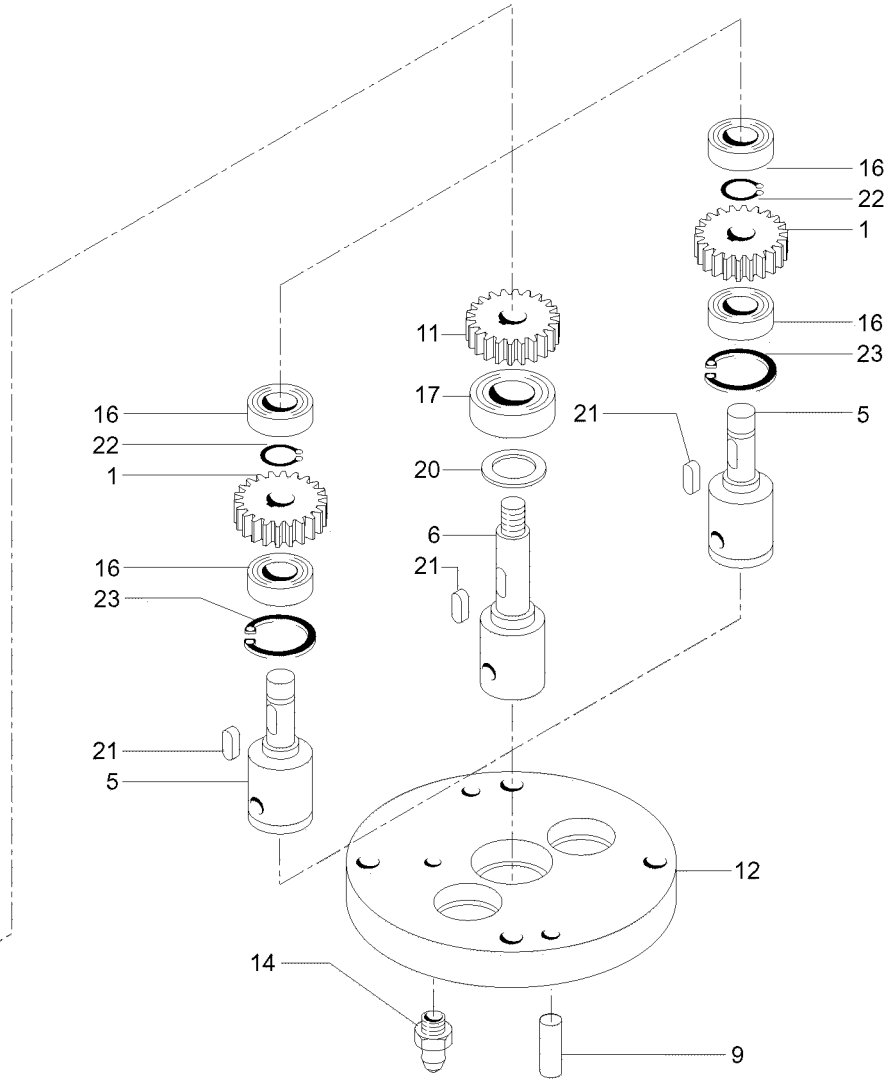
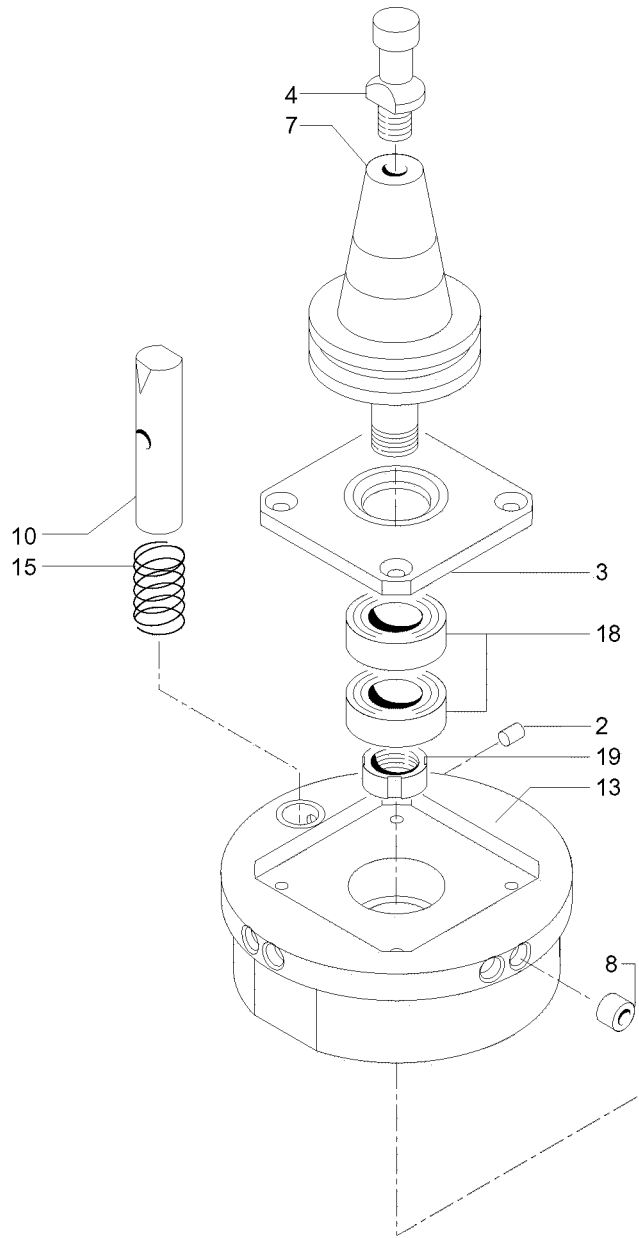


C0259A04 - AGGREGATE - D=120 - 69371\_ALL - ROVER A 03-12-2008

POSITION	DRAWING/COMPONENT	DESCRIPTION
19	C0681A01	MILLING CUTTER







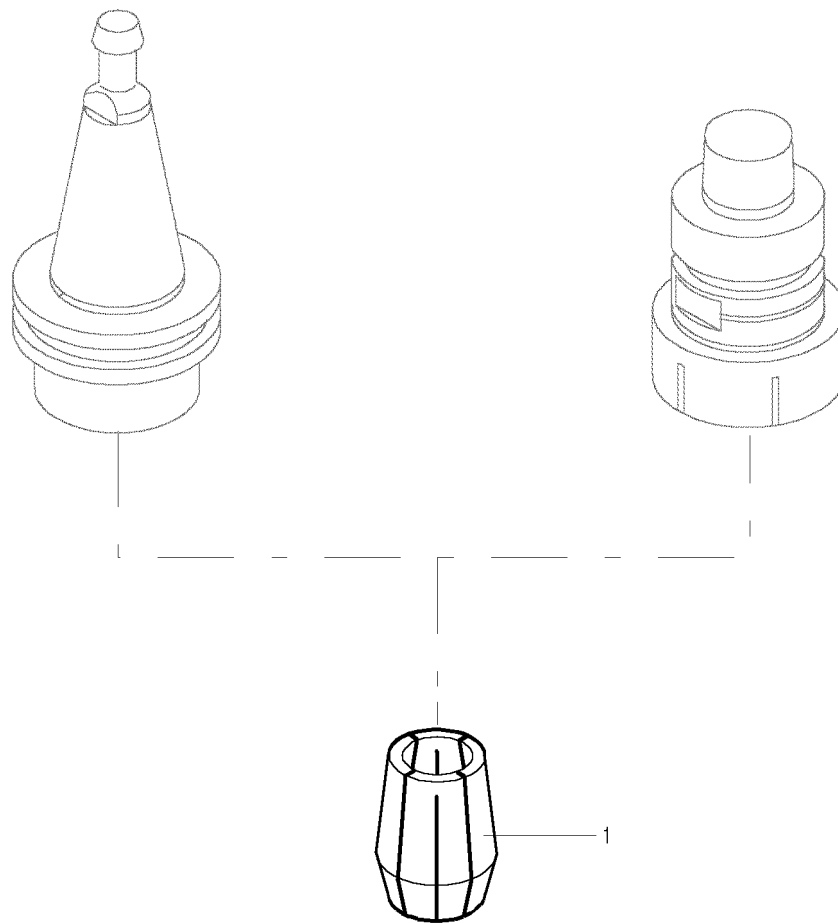
- 1 000104344 - D=23
- 1 000104347 - D=25 H=9
- 1 000104346 - D=24,738 H=..
- 2 112001000 - D=4,5
- 3 0801A0265
- 4 0804A0013 - ISO 30
- 5 080749000 - LH
- 6 0807A0132 - HSK
- 7 0807A0130
- 8 081718600 - HSK
- 9 082001101 - 8X28
- 10 0820A0049 - ISO 30
- 11 082125400 - D=27,5
- 11 082126100 - D=36
- 11 082128400 - DP=23,846
- 12 0908A0436 - 48X6
- 12 0908A0430 - 45x9,5
- 12 0908A0437 - 52X5,5
- 13 1612A0143 - 52X5,5
- 13 1612A0120 - 45X9,5
- 13 1612A0141 - 48X6
- 14 2605A0077
- 15 280106700
- 16 290100100 - 608-2RS RIV..
- 17 290106800 - 61900-2RS1
- 17 290101700 - 6000-2RSH
- 18 290304600
- 19 301700400 - M15X1
- 20 080666000
- 21 302508500 - 3X3X15
- 21 302508000 - 3x3x6
- 22 302900500 - 8 UNI 7435
- 23 302914100 - 22 UNI 7437

C0262A07 - AGGREGATE - ISO 30 - 69371\_ALL - ROVER A 03-12-2008

POSITION	DRAWING/COMPONENT	DESCRIPTION
1	000104344	GEAR D=23
1	000104347	GEAR D=25 H=9
1	000104346	GEAR D=24,738 H=9
2	112001000	DOWEL D=4,5
3	0801A0265	FLANGE
4	0804A0013	TIE ROD ISO 30
5	080749000	SPINDLE LH
6	0807A0132	SPINDLE HSK
7	0807A0130	SHAFT
8	081718600	BUSHING HSK
9	082001101	DOWEL 8X28
10	0820A0049	PIN ISO 30
11	082125400	GEAR D=27,5
11	082126100	GEAR D=36
11	082128400	GEAR DP=23,846
12	0908A0436	COVER 48X6
12	0908A0430	CASING 45X9,5
12	0908A0437	COVER 52X5,5
13	1612A0143	BOX 52X5,5
13	1612A0120	BOX 45X9,5
13	1612A0141	BOX 48X6
14	2605A0077	GREASING NIPPLE
15	280106700	SPRING
16	290100100	BEARING 608-2RS RIV-SKF
17	290106800	BEARING 61900-2RS1
17	290101700	BEARING 6000-2RSH
18	290304600	BEARING
19	301700400	RING NUT M15X1
20	080666000	SPACER

C0262A07 - AGGREGATE - ISO 30 - 69371\_ALL - ROVER A 03-12-2008

POSITION	DRAWING/COMPONENT	DESCRIPTION
21	302508500	TONGUE 3X3X15
21	302508000	FEATHER 3X3X6
22	302900500	SNAP RING 8 UNI 7435
23	302914100	SNAP RING 22 UNI 7437



- 1 3407A0154 - D=8 EX 16
- 1 3407C0022 - D=12 ER 40
- 1 340707600 - D=9-10 ERC ..
- 1 340707300 - D=4-5 ERC 3..
- 1 3407C0011 - D=12-11 ERC..
- 1 340707700 - D=4-5 ERC 4..
- 1 3407A0151 - D=10 EX 16
- 1 340708200 - D=15-16 ERC..
- 1 3407A0205 - D=9 EX 16
- 1 340706000 - D=6-7 ERC 3..
- 1 340707500 - D=19-20 ERC..
- 1 3407A0070 - D=23-24 ERC..
- 1 340706400 - D=13-14 ERC..
- 1 3407A0153 - D=5 EX 16
- 1 340706200 - D=9-10 ERC ..
- 1 340707400 - D=21-22 ERC..
- 1 340707200 - D=24-25 ERC..
- 1 340706300 - D=12-13 ERC..
- 1 3407A0203 - D=1 EX 16
- 1 3407A0201 - D=4 EX 16
- 1 340707900 - D=7-8 ERC 4..
- 1 3407A0152 - D=3 EX 16
- 1 3407A0149 - D=2 EX 16
- 1 340708300 - D=17-18 ERC..
- 1 3407A0202 - D=6 EX 16
- 1 340706100 - D=7-8 ERC 3..
- 1 340708000 - D=12-13 ERC..
- 1 340706700 - D=19-20 ERC..
- 1 340707800 - D=6-7 ERC 4..
- 1 3407A0204 - D=7 EX 16
- 1 340706500 - D=15-16 ERC..
- 1 340708100 - D=13-14 ERC..
- 1 340706600 - D=17-18 ERC..

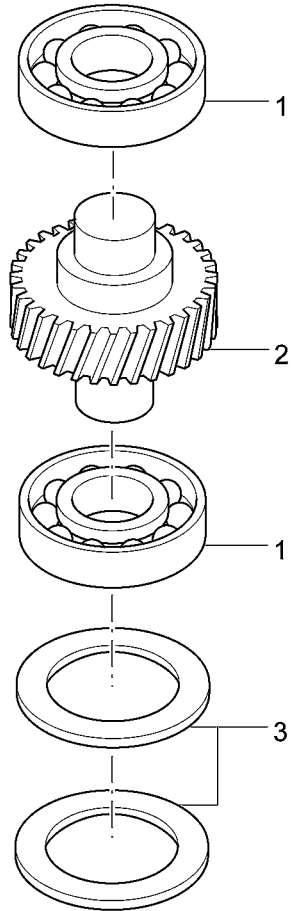
## C0270A01 - ELASTIC COLLET - 69371\_ALL - ROVER A 03-12-2008

POSITION	DRAWING/COMPONENT	DESCRIPTION
1	3407A0154	ELASTIC COLLET D=8 EX 16
1	3407C0022	COLLET D=12 ER 40
1	340707600	ELASTIC COLLET D=9-10 ERC 40
1	340707300	ELASTIC COLLET D=4-5 ERC 32
1	3407C0011	COLLET D=12-11 ERC 32
1	340707700	ELASTIC COLLET D=4-5 ERC 40
1	3407A0151	ELASTIC COLLET D=10 EX 16
1	340708200	ELASTIC COLLET D=15-16 ERC 40
1	3407A0205	ELASTIC COLLET D=9 EX 16
1	340706000	ELASTIC COLLET D=6-7 ERC 32
1	340707500	ELASTIC COLLET D=19-20 ERC 40
1	3407A0070	ELASTIC COLLET D=23-24 ERC 40
1	340706400	ELASTIC COLLET D=13-14 ERC 32
1	3407A0153	ELASTIC COLLET D=5 EX 16
1	340706200	ELASTIC COLLET D=9-10 ERC 32
1	340707400	ELASTIC COLLET D=21-22 ERC 40
1	340707200	ELASTIC COLLET D=24-25 ERC 40
1	340706300	ELASTIC COLLET D=12-13 ERC 32
1	3407A0203	ELASTIC COLLET D=1 EX 16
1	3407A0201	ELASTIC COLLET D=4 EX 16
1	340707900	ELASTIC COLLET D=7-8 ERC 40
1	3407A0152	ELASTIC COLLET D=3 EX 16
1	3407A0149	ELASTIC COLLET D=2 EX 16
1	340708300	ELASTIC COLLET D=17-18 ERC 40
1	3407A0202	ELASTIC COLLET D=6 EX 16
1	340706100	ELASTIC COLLET D=7-8 ERC 32
1	340708000	ELASTIC COLLET D=12-13 ERC 40
1	340706700	ELASTIC COLLET D=19-20 ERC 32
1	340707800	ELASTIC COLLET D=6-7 ERC 40

C0270A01 - ELASTIC COLLET - 69371\_ALL - ROVER A 03-12-2008

POSITION	DRAWING/COMPONENT	DESCRIPTION
1	3407A0204	ELASTIC COLLET D=7 EX 16
1	340706500	ELASTIC COLLET D=15-16 ERC 32
1	340708100	ELASTIC COLLET D=13-14 ERC 40
1	340706600	ELASTIC COLLET D=17-18 ERC 32

- 1 290102500 - 6002-2RS RI..
- 2 0821A0239
- 3 280700400

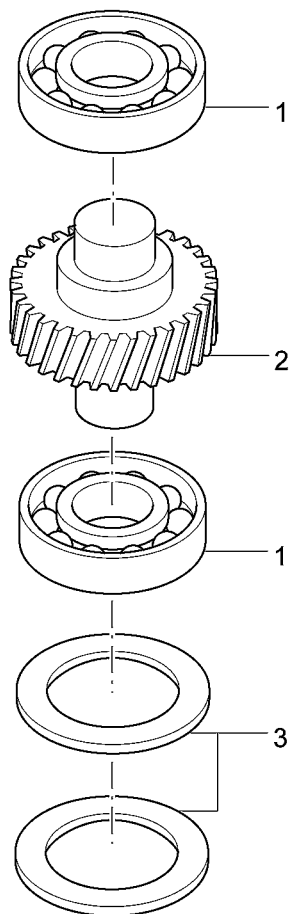




C0280K00 - gear unit - 69371\_ALL - ROVER A 03-12-2008

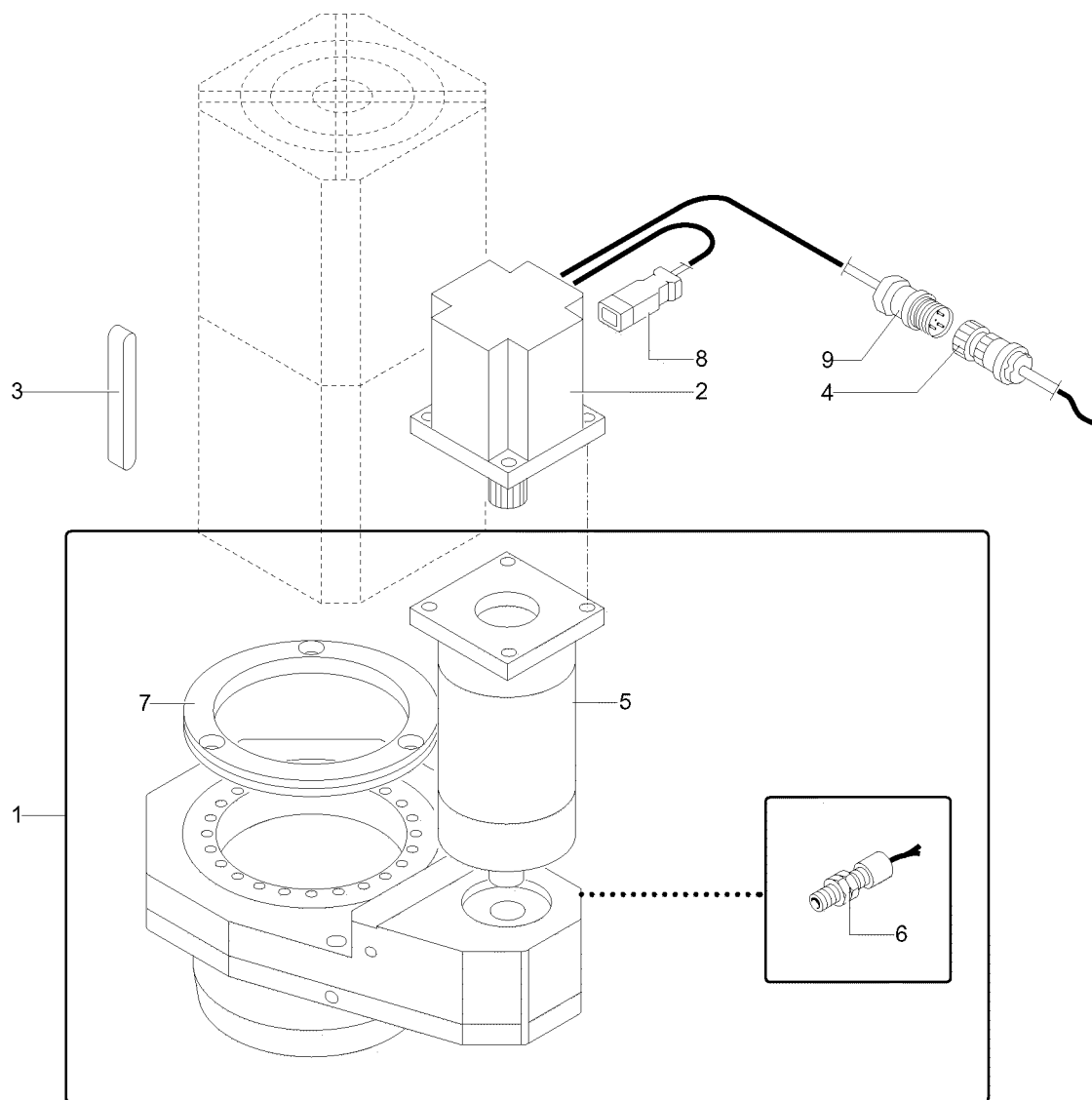
POSITION	DRAWING/COMPONENT	DESCRIPTION
1	290102500	BEARING 6002-2RS RIV-SKF
2	0821A0239	GEAR
3	280700400	RING

- 1 290102500 - 6002-2RS RI..
- 2 0821A0240
- 3 280700400



C0281K00 - gear unit - 69371\_ALL - ROVER A 03-12-2008

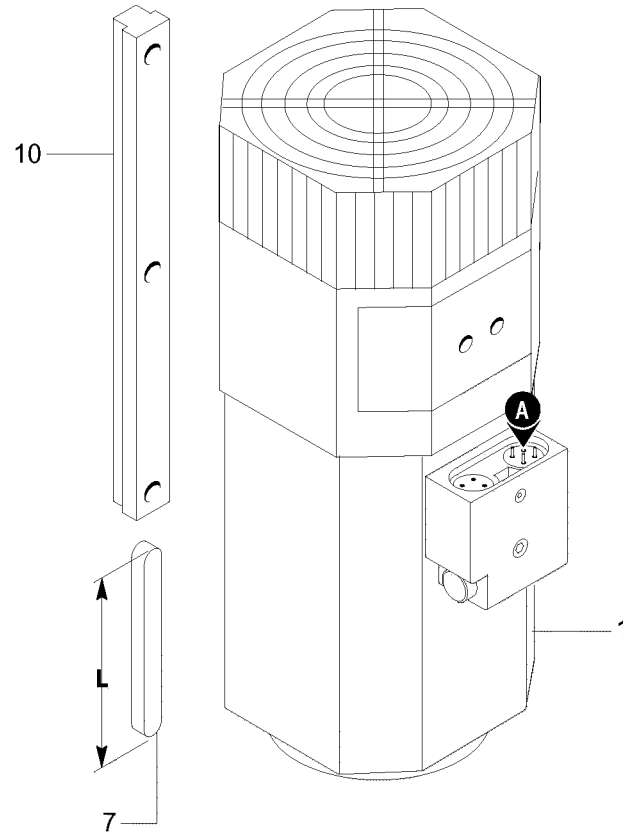
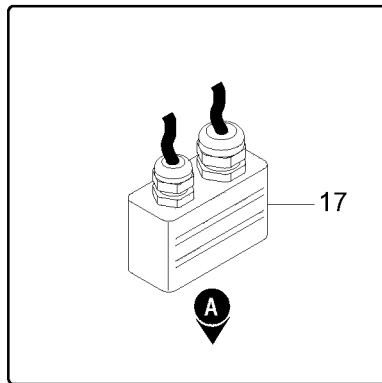
POSITION	DRAWING/COMPONENT	DESCRIPTION
1	290102500	BEARING 6002-2RS RIV-SKF
2	0821A0240	GEAR
3	280700400	RING



- 1 H6314H0045
- 2 2201A0673
- 4 P0071A00
- 8 P0071A00
- 9 P0071A00

C0404A05 - AGGREGATE ORIENTATION DEVICE - 69371\_ALL - ROVER A 03-12-2008

POSITION	DRAWING/COMPONENT	DESCRIPTION
1	H6314H0045	C AXIS
2	2201A0673	MOTOR
4	P0071A00	CONNECTOR
8	P0071A00	CONNECTOR
9	P0071A00	CONNECTOR

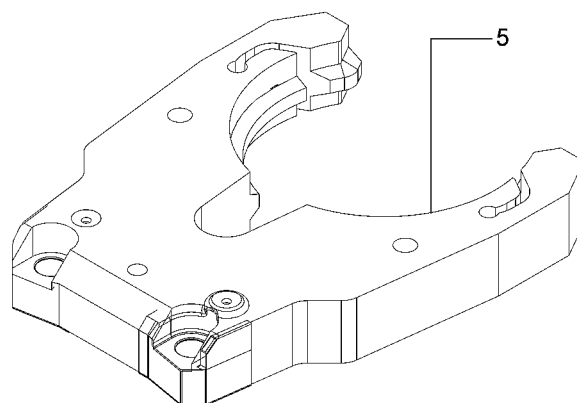


- 1 C0554A02
- 1 6410A0305 - 12,0 KW ISO..
- 1 6410A0154 - 7 KW ISO 30
- 1 H6161H0708 - ES929 H4PNL
- 1 6410A0303 - 12,0 KW HSK
- 7 302521600 - 8X7X90
- 17 M0131A00

C0491A04 - ELECTROSPINDLE - 69371\_ALL - ROVER A 03-12-2008

POSITION	DRAWING/COMPONENT	DESCRIPTION
1	C0554A02	ELECTROSPINDLE
1	6410A0305	ELECTROSPINDLE 12,0 KW ISO 30
1	6410A0154	ELECTROSPINDLE 7 KW ISO 30
1	H6161H0708	ELECTROSPINDLE ES929 H4PNL
1	6410A0303	ELECTROSPINDLE 12,0 KW HSK
7	302521600	TONGUE 8X7X90
17	M0131A00	CONNECTOR

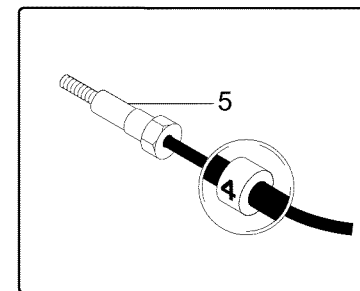
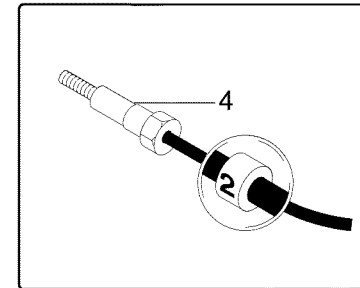
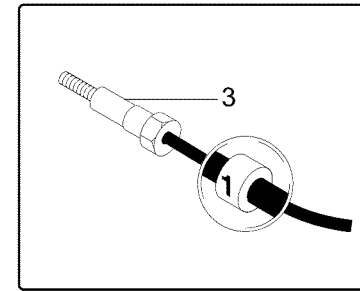
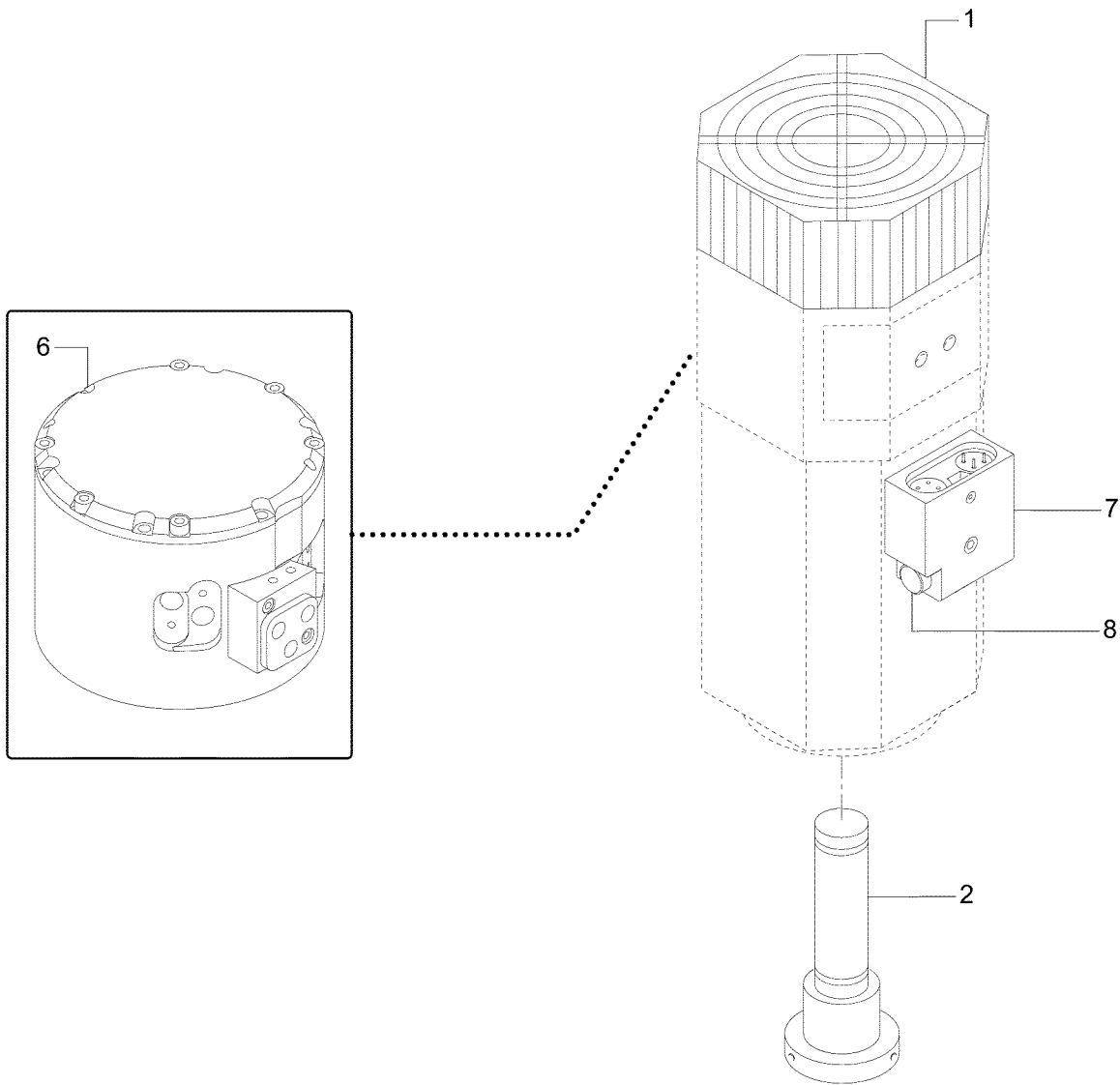
5 1705A0123 - HSK F63  
5 1705A0124 - ISO 30





C0518A01 - TOOL HOLDER - 69371\_ALL - ROVER A 03-12-2008

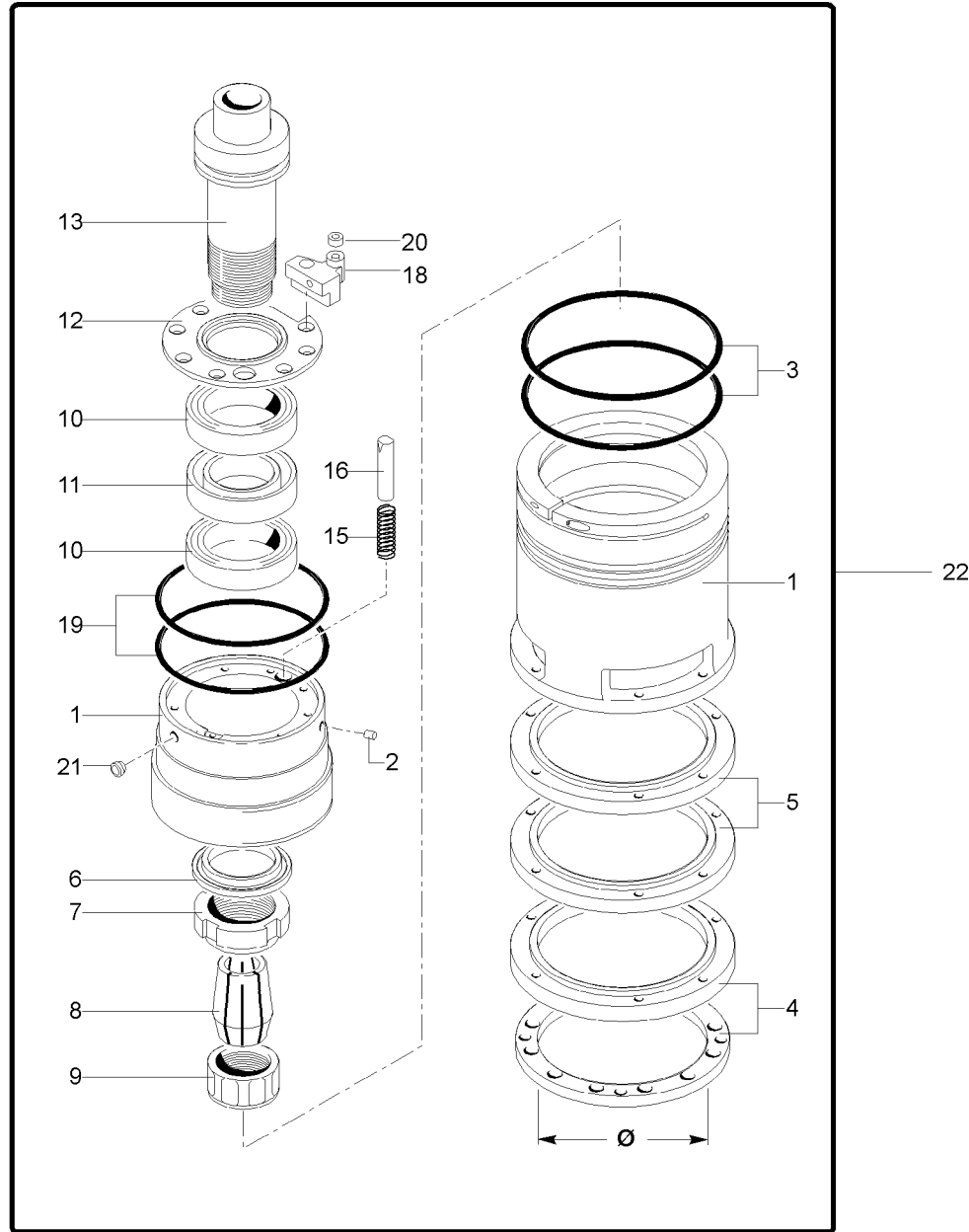
POSITION	DRAWING/COMPONENT	DESCRIPTION
5	1705A0123	TOOL HOLDER HSK F63
5	1705A0124	TOOL HOLDER ISO 30



- 1 750123238 - 9-10,5 HP
- 1 H5661H0009 - ES919
- 2 6423A0030 - ES919 HSK
- 2 H6391H0142 - ES929H4PNL
- 2 6423A0031 - ES929 ISO
- 2 6423A0011 - ES919 I2PNC..
- 3 H41805006 - ES919
- 3 750123234 - 9-10.5 HP
- 4 H4180500601 - ES919
- 4 750123235 - 9-10.5 HP
- 5 2164A0152 - 10.5 HSK
- 5 H5664H0016 - ES919
- 6 6430A0042 - ES919 HSK
- 6 H6202H0041 - ES919
- 6 6430A0034 - ES919 ISO
- 7 750123244 - 9-10.5 HP
- 8 750123237 - 9-10.5 HP

## C0554A02 - ELECTROSPINDLE - 69371\_ALL - ROVER A 03-12-2008

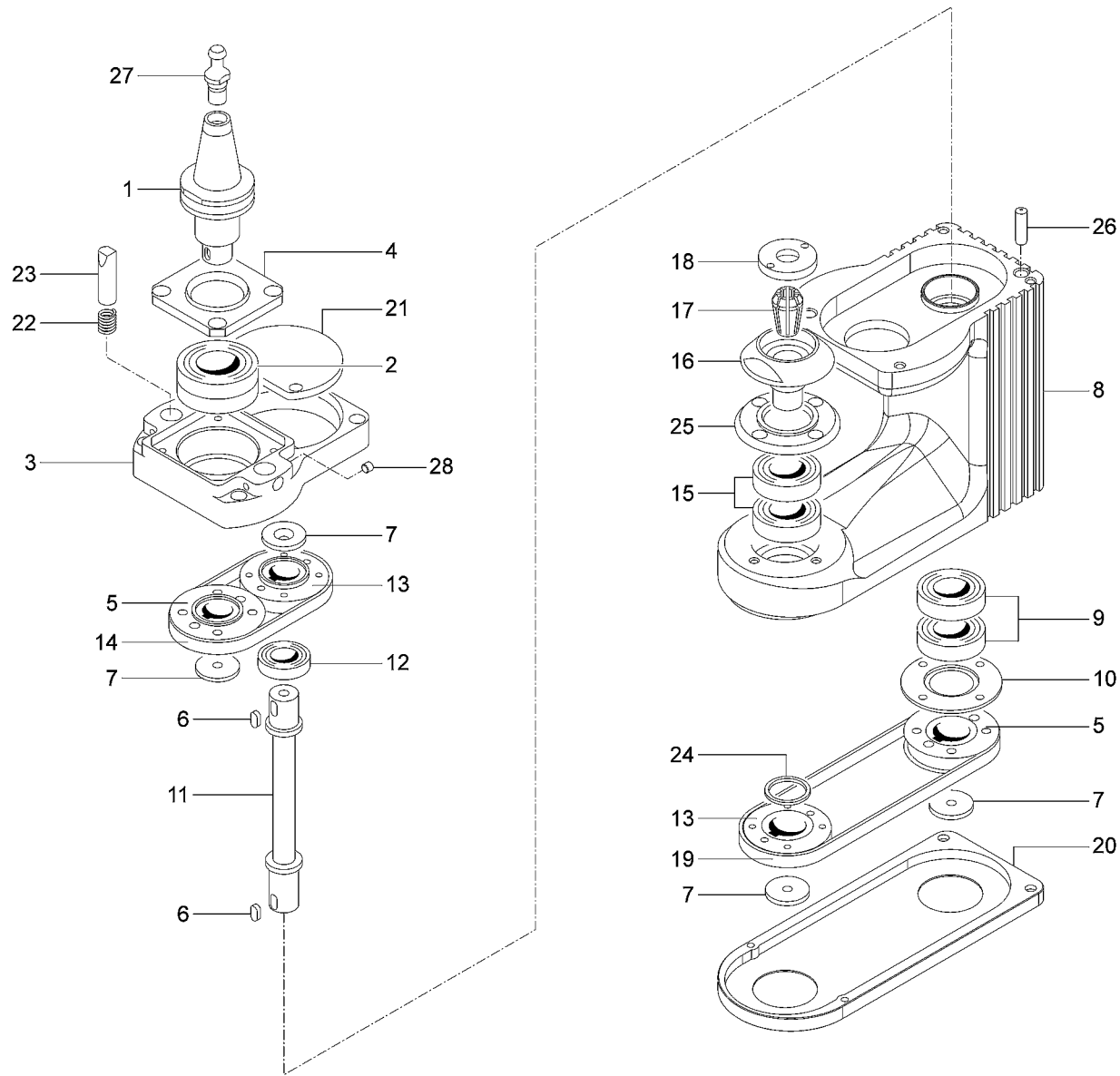
POSITION	DRAWING/COMPONENT	DESCRIPTION
1	750123238	FAN 9-10,5 HP
1	H5661H0009	FAN ES919
2	6423A0030	ROTOR ES919 HSK
2	H6391H0142	ROTOR ES929H4PNL
2	6423A0031	ROTOR ES929 ISO
2	6423A0011	SHAFT ES919 I2PNC ISO 30
3	H41805006	SENSOR ES919
3	750123234	SENSOR 9-10.5 HP
4	H4180500601	SENSOR ES919
4	750123235	SENSOR 9-10.5 HP
5	2164A0152	SENSOR 10.5 HSK
5	H5664H0016	SENSOR ES919
6	6430A0042	CYLINDER ES919 HSK
6	H6202H0041	SLIDING UNIT ES919
6	6430A0034	CYLINDER ES919 ISO
7	750123244	BASE 9-10.5 HP
8	750123237	PUSH BUTTON 9-10.5 HP



- 1 1705A0122 - HSK F63
- 2 112001000 - D=4,5
- 3 3110A1649 - OR 2450
- 4 1605A0045 - Di=110 De=1..
- 4 1605A0046 - Di=85 De=15..
- 4 1605A0047 - Di=40 De=15..
- 5 0906A0105
- 6 0804A0164
- 7 3017A0050
- 8 340706700 - D=19-20 ERC..
- 9 340705802 - M40x1.5-RH..
- 10 2904A0087
- 11 1606A0033
- 12 0801A0222
- 13 0807A0272 - HSK F63
- 15 2801A0008
- 16 0820A0114
- 18 0905A0978
- 19 3110A1814 - OR 208
- 20 1401A0041 - De=10mm Di=..
- 21 0817A0118
- 22 6714A2326

C0569A01 - COPIER - 69371\_ALL - ROVER A 03-12-2008

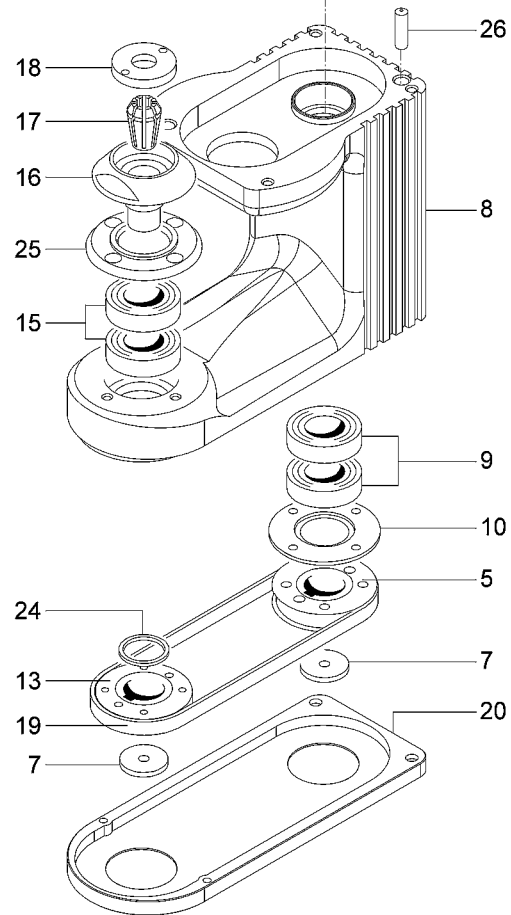
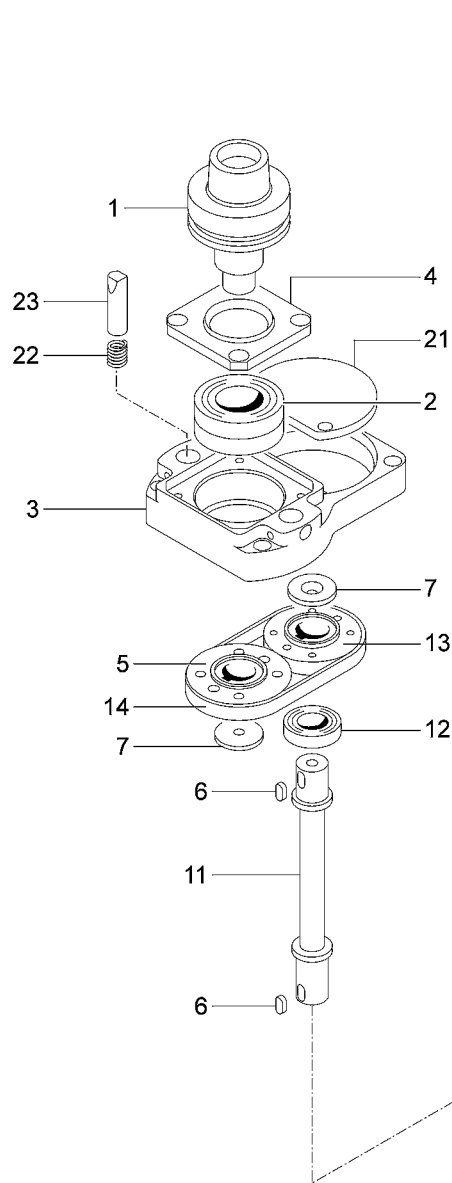
POSITION	DRAWING/COMPONENT	DESCRIPTION
1	1705A0122	SUPPORT HSK F63
2	112001000	DOWEL D=4,5
3	3110A1649	SEAL RING OR 2450
4	1605A0045	FLANGE DI=110 DE=150
4	1605A0046	FLANGE DI=85 DE=150
4	1605A0047	FLANGE DI=40 DE=150
5	0906A0105	SPACER
6	0804A0164	WASHER
7	3017A0050	RING NUT
8	340706700	ELASTIC COLLET D=19-20 ERC 32
9	340705802	RING NUT M40X1.5-RH
10	2904A0087	BEARING
11	1606A0033	SPACER
12	0801A0222	FLANGE
13	0807A0272	SPINDLE HSK F63
15	2801A0008	SPRING
16	0820A0114	ANTIROTATION PIN
18	0905A0978	SUPPORT
19	3110A1814	SEAL RING OR 208
20	1401A0041	SEAL RING DE=10MM DI=5MM
21	0817A0118	BUSHING
22	6714A2326	AGGREGATE



- |    |                        |
|----|------------------------|
| 1  | 0807A0321 - ISO 30     |
| 2  | 2903A0005 - 30-55-13   |
| 3  | 1608A0057              |
| 4  | 0801A0260              |
| 5  | 1722A0049              |
| 6  | 302517000              |
| 7  | 080482500 - D.30X6.5X4 |
| 8  | 0912A0282              |
| 9  | 2903A0011              |
| 10 | 0801A0314              |
| 11 | 0807A0452              |
| 12 | 2901A0009              |
| 13 | 0922A0144              |
| 14 | 2701A0221              |
| 15 | 2903A0021              |
| 16 | 0807A0347              |
| 17 | 3407A0004 - D=10 ERC20 |
| 18 | 0804A0213              |
| 19 | 2701A0222              |
| 20 | 0908A0370              |
| 21 | 0901A0169              |
| 22 | 280106700              |
| 23 | 0820A0050              |
| 24 | 0806A0364 - H=2,5      |
| 25 | 0801A0287              |
| 26 | 082001101 - 8X28       |
| 27 | 0804A0013 - ISO 30     |
| 28 | 112001000 - D=4,5      |

## C0585A02 - AGGREGATE - ISO 30 - 69371\_ALL - ROVER A 03-12-2008

POSITION	DRAWING/COMPONENT	DESCRIPTION
1	0807A0321	SHAFT ISO 30
2	2903A0005	BEARING 30-55-13
3	1608A0057	COVER
4	0801A0260	FLANGE
5	1722A0049	PULLEY
6	302517000	FEATHER
7	080482500	WASHER D.30X6.5X4
8	0912A0282	BOX
9	2903A0011	BEARING
10	0801A0314	FLANGE
11	0807A0452	SHAFT
12	2901A0009	BEARING
13	0922A0144	PULLEY
14	2701A0221	BELT
15	2903A0021	BEARING
16	0807A0347	SHAFT
17	3407A0004	ELASTIC COLLET D=10 ERC20
18	0804A0213	RING NUT
19	2701A0222	BELT
20	0908A0370	COVER
21	0901A0169	FLANGE
22	280106700	SPRING
23	0820A0050	DOWEL
24	0806A0364	SPACER H=2,5
25	0801A0287	FLANGE
26	082001101	DOWEL 8X28
27	0804A0013	TIE ROD ISO 30
28	112001000	DOWEL D=4,5

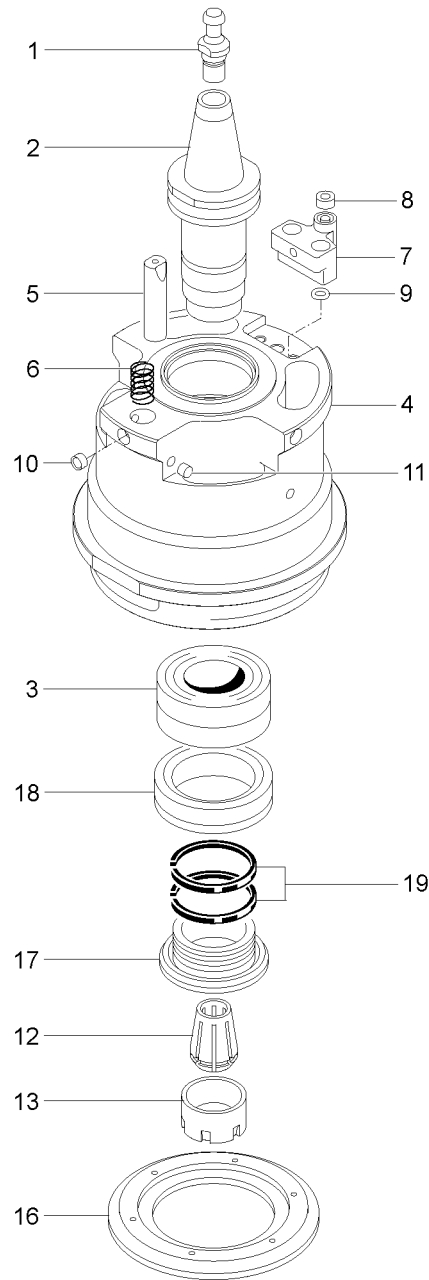


- 1 0807A0346 - HSK F63
- 2 2903A0005 - 30-55-13
- 3 1608A0057
- 4 0801A0260
- 5 1722A0049
- 6 302517000
- 7 080482500 - D.30X6.5X4
- 8 0912A0282
- 9 2903A0011
- 10 0801A0314
- 11 0807A0452
- 12 2901A0009
- 13 0922A0144
- 14 2701A0221
- 15 2903A0021
- 16 0807A0347
- 17 3407A0004 - D=10 ERC20
- 18 0804A0213
- 19 2701A0222
- 20 0908A0370
- 21 0901A0169
- 22 280106700
- 23 0820A0050
- 24 0806A0364 - H=2,5
- 25 0801A0287
- 26 082001101 - 8X28



C0586A01 - AGGREGATE - HSK F63 - 69371\_ALL - ROVER A 03-12-2008

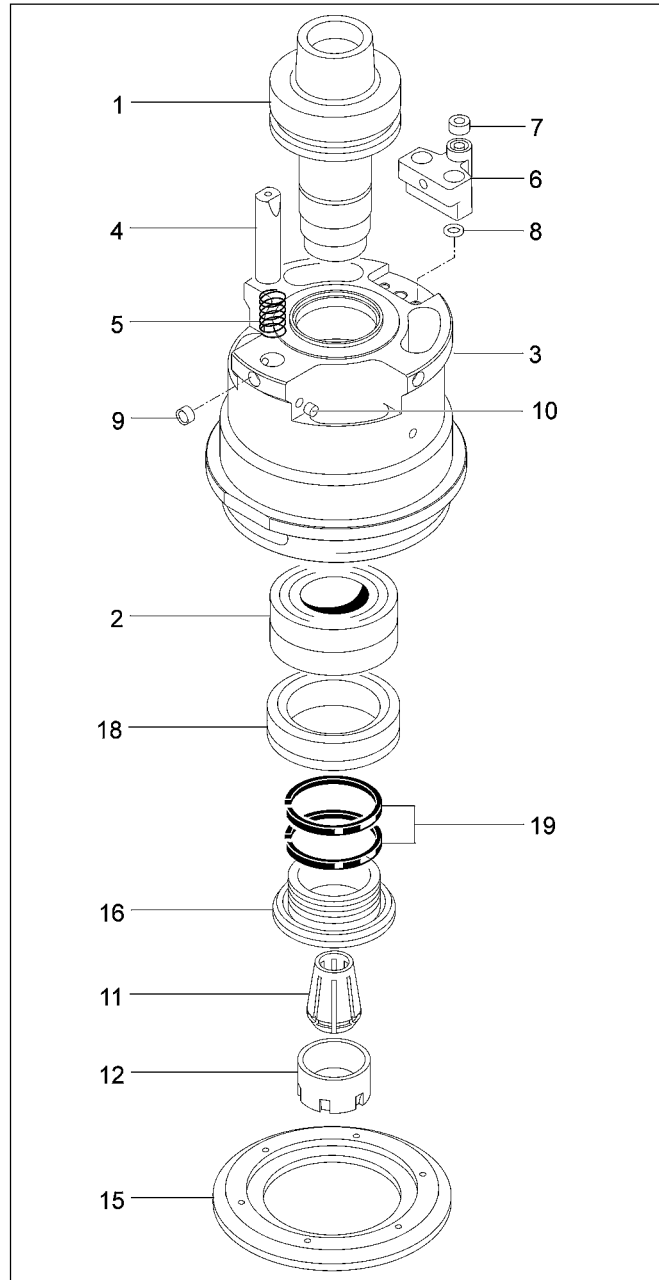
POSITION	DRAWING/COMPONENT	DESCRIPTION
1	0807A0346	SHAFT HSK F63
2	2903A0005	BEARING 30-55-13
3	1608A0057	COVER
4	0801A0260	FLANGE
5	1722A0049	PULLEY
6	302517000	FEATHER
7	080482500	WASHER D.30X6.5X4
8	0912A0282	BOX
9	2903A0011	BEARING
10	0801A0314	FLANGE
11	0807A0452	SHAFT
12	2901A0009	BEARING
13	0922A0144	PULLEY
14	2701A0221	BELT
15	2903A0021	BEARING
16	0807A0347	SHAFT
17	3407A0004	ELASTIC COLLET D=10 ERC20
18	0804A0213	RING NUT
19	2701A0222	BELT
20	0908A0370	COVER
21	0901A0169	FLANGE
22	280106700	SPRING
23	0820A0050	DOWEL
24	0806A0364	SPACER H=2,5
25	0801A0287	FLANGE
26	082001101	DOWEL 8X28



- 1 0804A0013 - ISO 30
- 2 0807A0368 - ISO 30
- 3 290304400
- 4 1705A0178
- 5 0820A0049 - ISO 30
- 6 280106700
- 7 0905A1169
- 8 1401A0041 - De=10mm Di=..
- 9 3110A1884
- 10 081718600 - HSK
- 11 112001000 - D=4,5
- 12 340702200
- 13 340702000 - M30 DX
- 14 1417A0013
- 15 0804A0233
- 16 0804A0232
- 17 3121A0032

C0587A02 - COPIER - ISO 30 - 69371\_ALL - ROVER A 03-12-2008

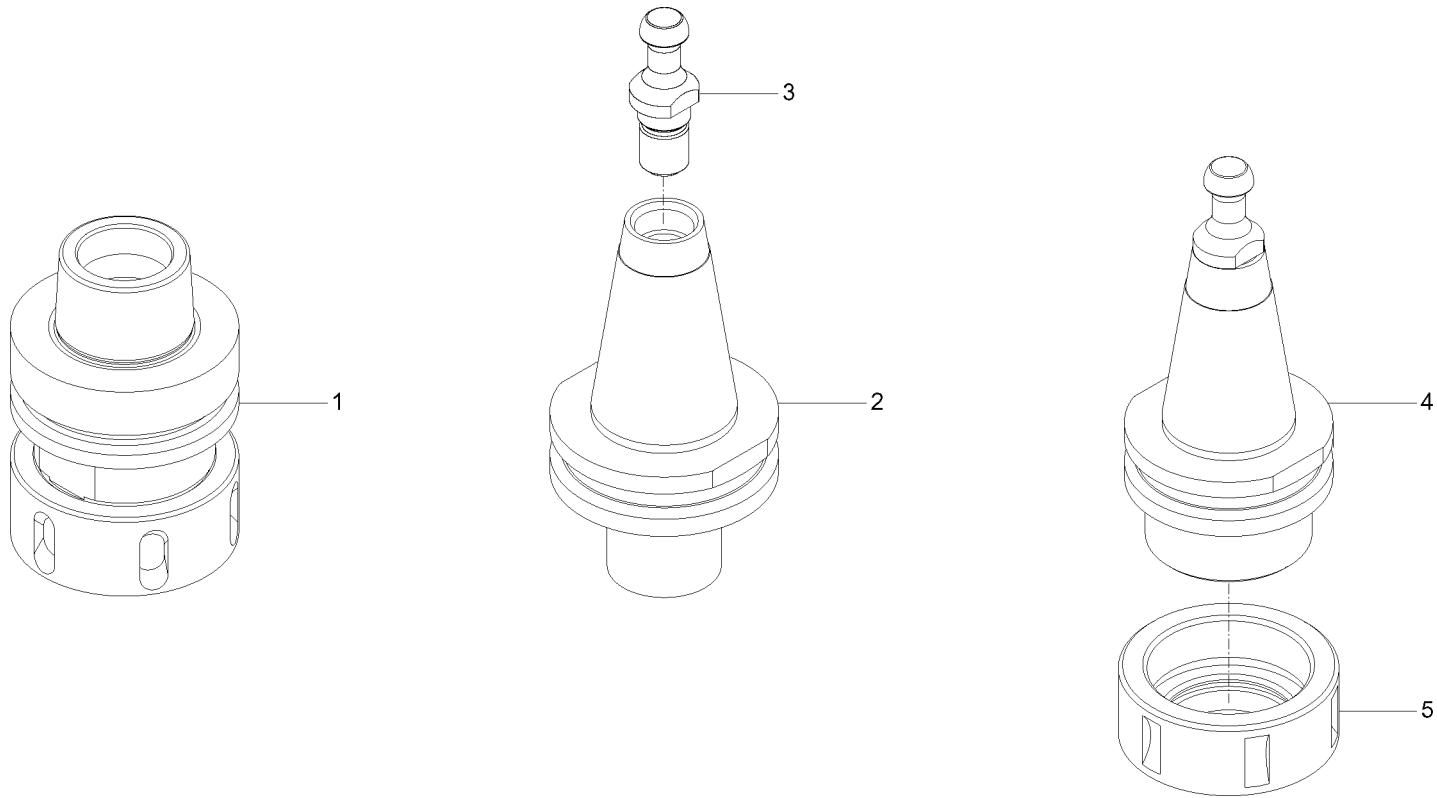
POSITION	DRAWING/COMPONENT	DESCRIPTION
1	0804A0013	TIE ROD ISO 30
2	0807A0368	SHAFT ISO 30
3	290304400	BEARING
4	1705A0178	SUPPORT
5	0820A0049	PIN ISO 30
6	280106700	SPRING
7	0905A1169	SUPPORT
8	1401A0041	SEAL RING DE=10MM DI=5MM
9	3110A1884	SEAL RING
10	081718600	BUSHING HSK
11	112001000	DOWEL D=4,5
12	340702200	ELASTIC COLLET
13	340702000	NUT M30 DX
16	1417A0013	BUSHING
17	0804A0233	RING NUT
18	0804A0232	RING NUT
19	3121A0032	GASKET



- 1 0807A0377 - HSK F63
- 2 290304400
- 3 1705A0178
- 4 0820A0049 - ISO 30
- 5 280106700
- 6 0905A1169
- 7 1401A0041 - De=10mm Di=..
- 8 3110A1884
- 9 081718600 - HSK
- 10 112001000 - D=4,5
- 11 340702200
- 12 340702000 - M30 DX
- 15 1417A0013
- 16 0804A0233
- 18 0804A0232
- 19 3121A0032
- 20 6714A2327

C0588A03 - COPIER - 69371\_ALL - ROVER A 03-12-2008

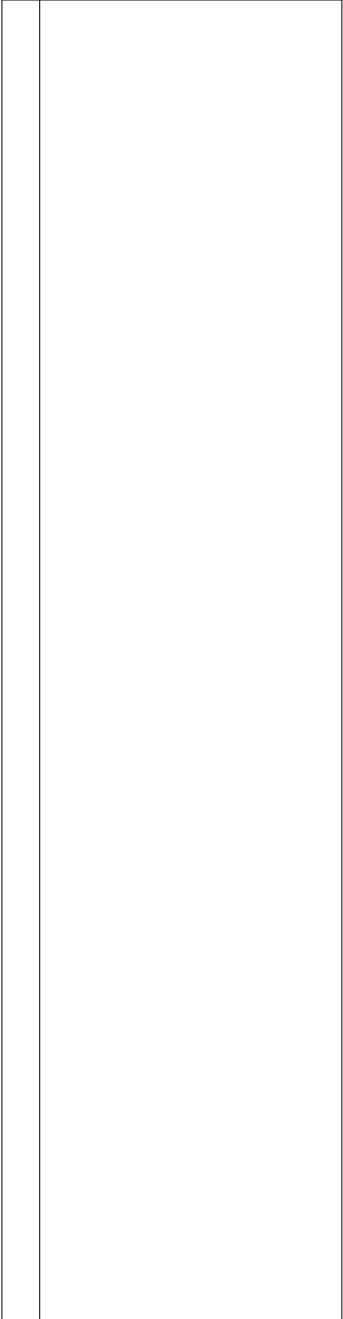
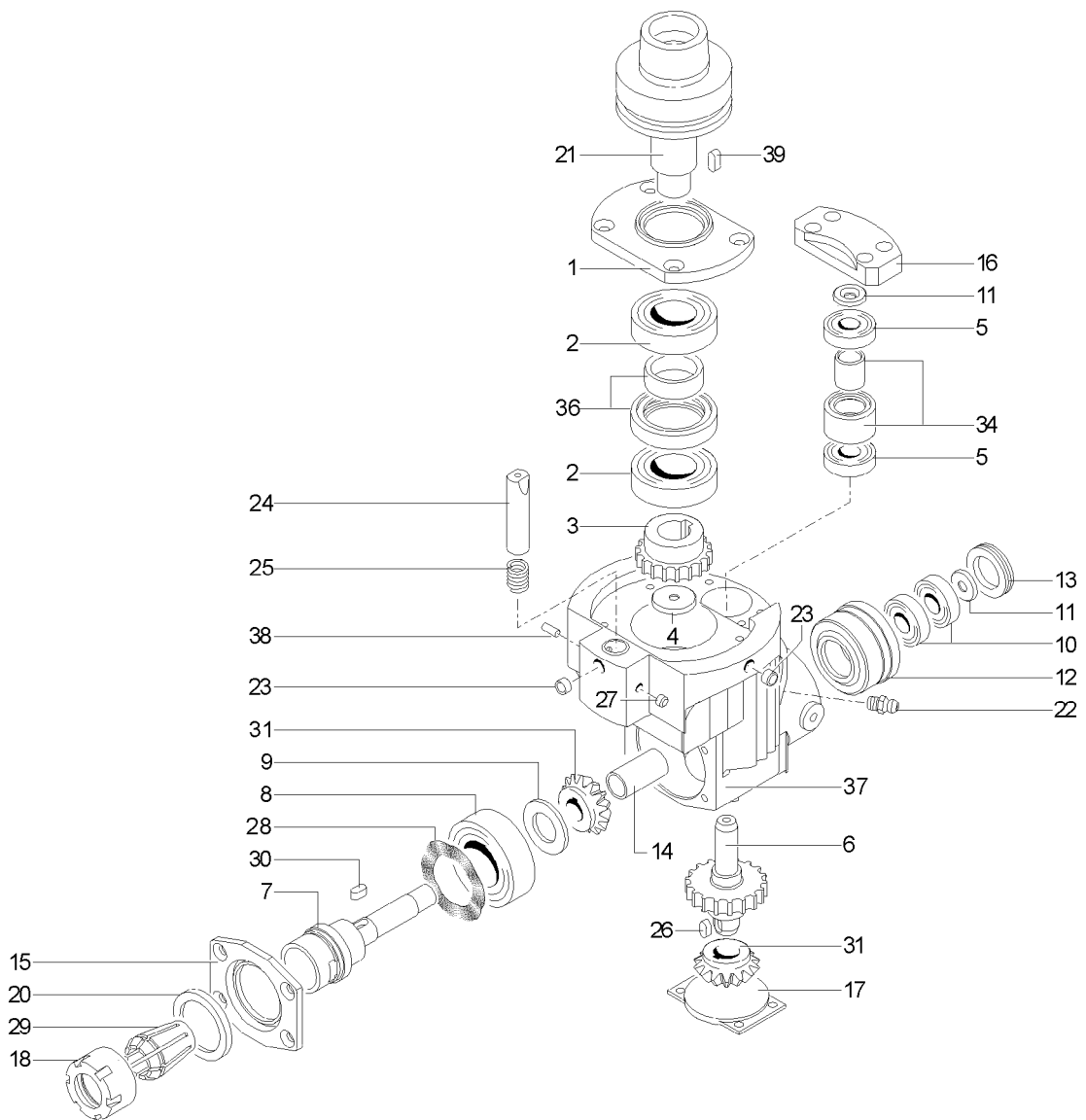
POSITION	DRAWING/COMPONENT	DESCRIPTION
1	0807A0377	SHAFT HSK F63
2	290304400	BEARING
3	1705A0178	SUPPORT
4	0820A0049	PIN ISO 30
5	280106700	SPRING
6	0905A1169	SUPPORT
7	1401A0041	SEAL RING DE=10MM DI=5MM
8	3110A1884	SEAL RING
9	081718600	BUSHING HSK
10	112001000	DOWEL D=4,5
11	340702200	ELASTIC COLLET
12	340702000	NUT M30 DX
15	1417A0013	BUSHING
16	0804A0233	RING NUT
18	0804A0232	RING NUT
19	3121A0032	GASKET
20	6714A2327	AGGREGATE



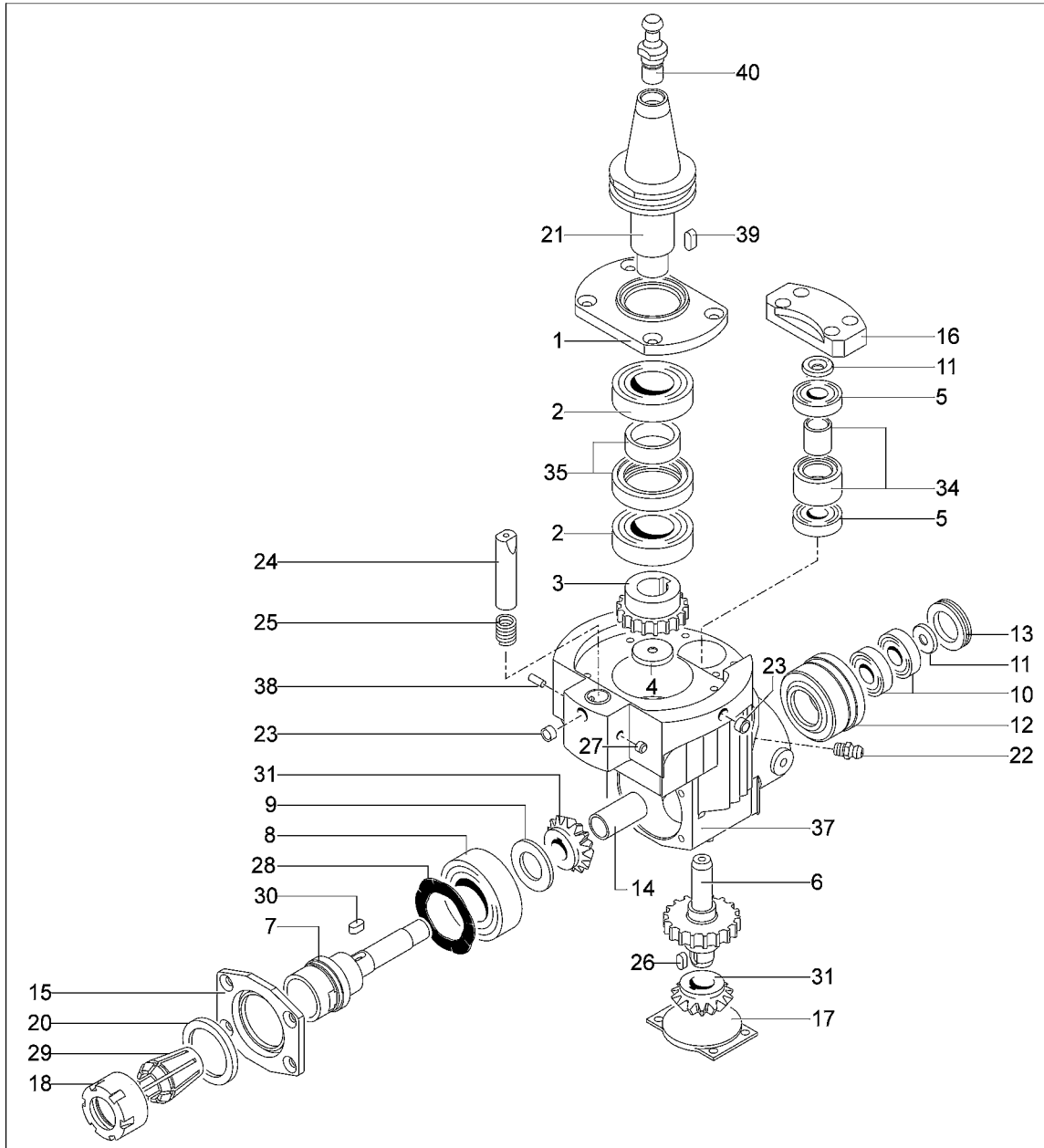
- 1 1707A0023 - HSK F63 DX
- 1 1707A0024 - HSK F63 SX
- 2 1707A0031 - ISO 30 DX
- 2 1707A0029 - ISO 30 SX
- 3 0804A0013 - ISO 30
- 4 1707A0005 - ISO 30 RH
- 4 1707A0002 - ISO 30 LH
- 4 1707A0003 - ISO 30 RH
- 4 1707A0004 - ISO 30 LH
- 5 340707100 - M50X1,5-G40..
- 5 340705802 - M40x1.5-RH
- 5 340707000 - M50X1,5-G40..
- 5 340705902 - M40X1.5-ERC..

C0597A02 - COLLET SPINDLE - 69371\_ALL - ROVER A 03-12-2008

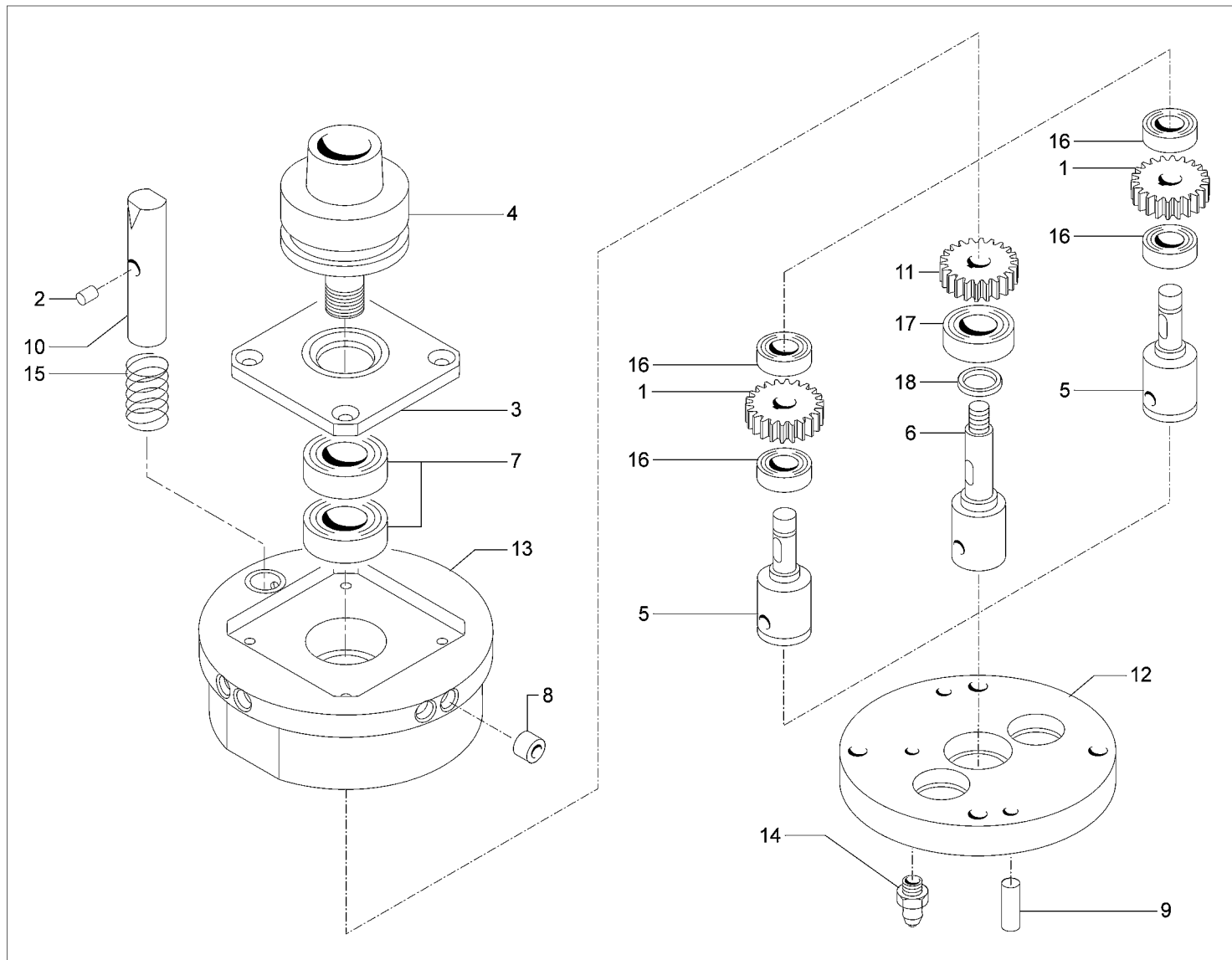
POSITION	DRAWING/COMPONENT	DESCRIPTION
1	1707A0023	SPINDLE HSK F63 DX
1	1707A0024	SPINDLE HSK F63 SX
2	1707A0031	SPINDLE ISO 30 DX
2	1707A0029	SPINDLE ISO 30 SX
3	0804A0013	TIE ROD ISO 30
4	1707A0005	SPINDLE ISO 30 RH
4	1707A0002	SPINDLE ISO 30 LH
4	1707A0003	SPINDLE ISO 30 RH
4	1707A0004	SPINDLE ISO 30 LH
5	340707100	RING NUT M50X1,5-G40S-ERC 40-SX
5	340705802	RING NUT M40X1.5-RH
5	340707000	RING NUT M50X1,5-G40S-ERC 40-DX
5	340705902	RING NUT M40X1.5-ERC 32-LH







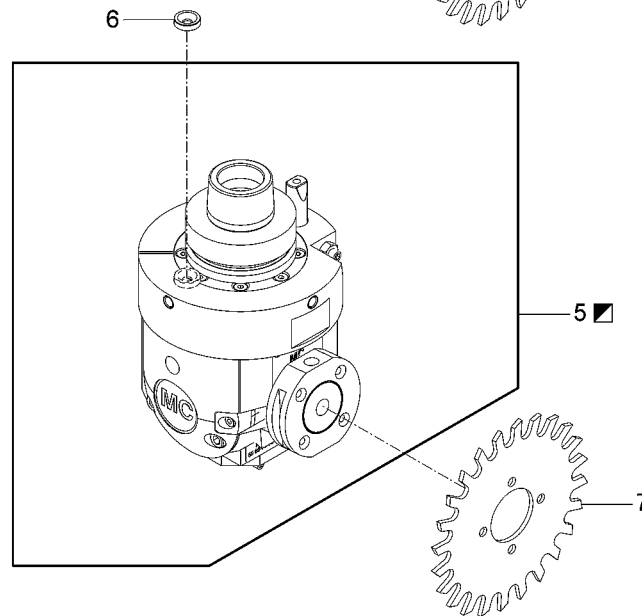
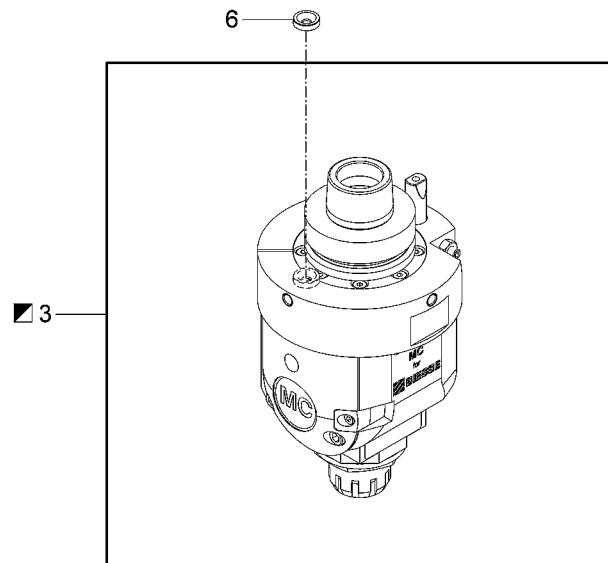
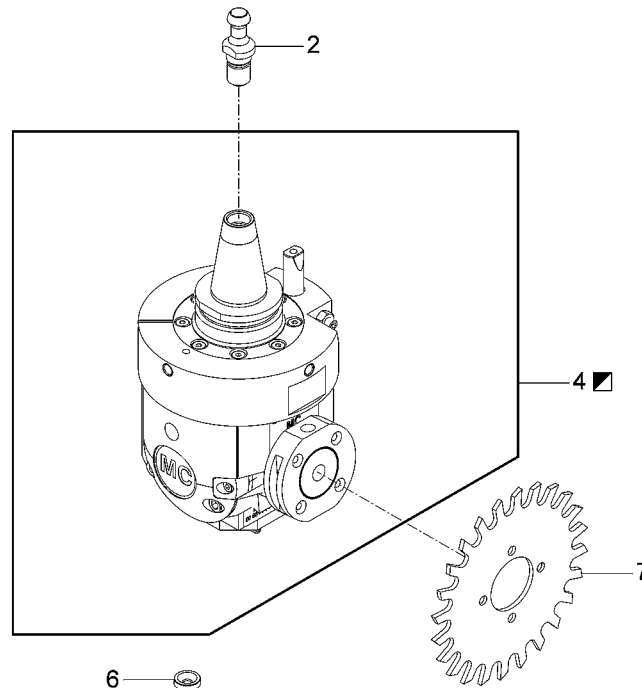
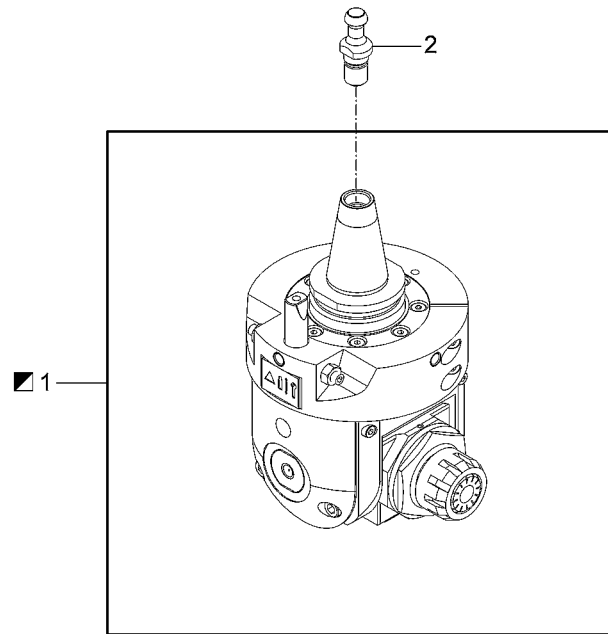
41



- 1 000104347 - D=25 H=9
- 1 6714A2324 - 48X6
- 1 000104346 - D=24,738 H=..
- 2 112001000 - D=4,5
- 3 0801A0265
- 4 0807A0315
- 5 080749000 - LH
- 6 0807A0132 - HSK
- 7 290304600
- 8 081718600 - HSK
- 9 082001101 - 8X28
- 10 0820A0049 - ISO 30
- 11 082125400 - D=27,5
- 11 082128400 - DP=23,846
- 12 0908A0436 - 48X6
- 12 0908A0430 - 45X9,5
- 13 1612A0141 - 48X6
- 13 1612A0120 - 45X9,5
- 14 2605A0077
- 15 280106700
- 16 290100100 - 608-2RS RIV..
- 17 290106800 - 61900-2RS1
- 17 290101700 - 6000-2RSH
- 18 080666000
- 19 6714A2323 - 45X9,5

C0630A01 - AGGREGATE - HSK F63 - 69371\_ALL - ROVER A 03-12-2008

POSITION	DRAWING/COMPONENT	DESCRIPTION
1	000104347	GEAR D=25 H=9
1	6714A2324	AGGREGATE 48X6
1	000104346	GEAR D=24,738 H=9
2	112001000	DOWEL D=4,5
3	0801A0265	FLANGE
4	0807A0315	SHAFT
5	080749000	SPINDLE LH
6	0807A0132	SPINDLE HSK
7	290304600	BEARING
8	081718600	BUSHING HSK
9	082001101	DOWEL 8X28
10	0820A0049	PIN ISO 30
11	082125400	GEAR D=27,5
11	082128400	GEAR DP=23,846
12	0908A0436	COVER 48X6
12	0908A0430	CASING 45X9,5
13	1612A0141	BOX 48X6
13	1612A0120	BOX 45X9,5
14	2605A0077	GREASING NIPPLE
15	280106700	SPRING
16	290100100	BEARING 608-2RS RIV-SKF
17	290106800	BEARING 61900-2RS1
17	290101700	BEARING 6000-2RSH
18	080666000	SPACER
19	6714A2323	AGGREGATE 45X9,5

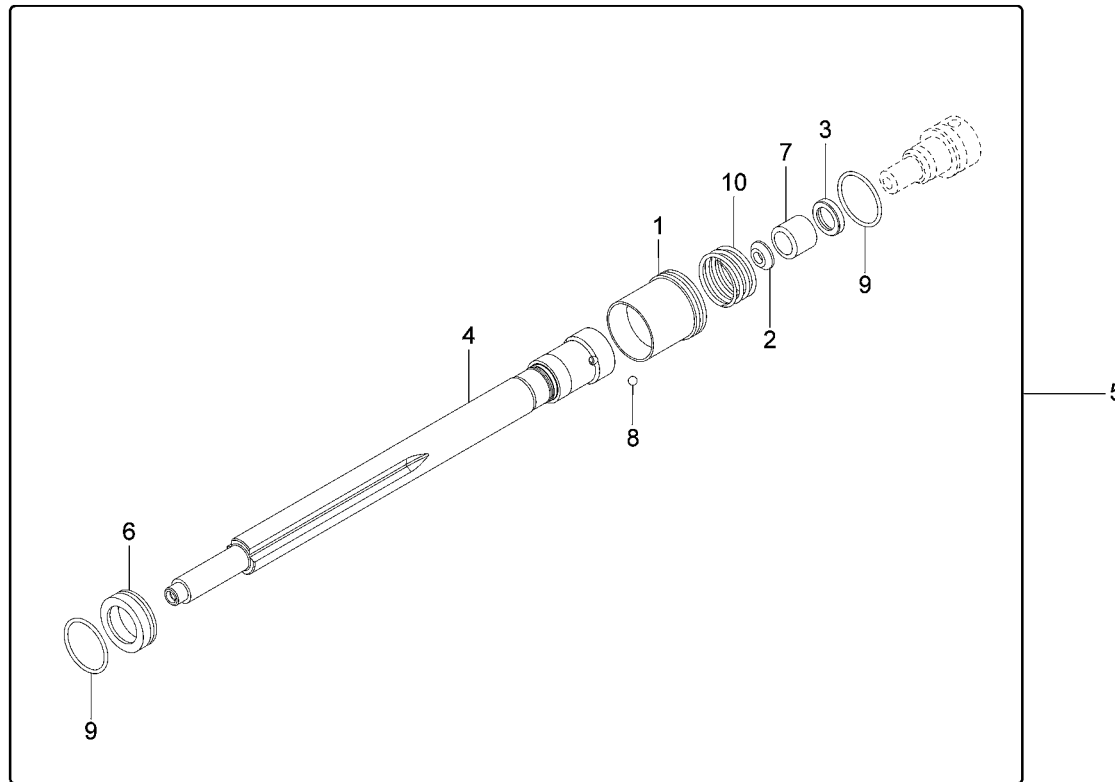


- 1 6314A0454 - ISO 30
- 3 6314A0456 - HSK F63
- 4 6314A0453 - ISO 30
- 5 6314A0455
- 6 C0801A02
- 7 C0681A01

C0631A02 - AGGREGATE - 69371\_ALL - ROVER A 03-12-2008

POSITION	DRAWING/COMPONENT	DESCRIPTION
1	6314A0454	AGGREGATE ISO 30
3	6314A0456	AGGREGATE HSK F63
4	6314A0453	AGGREGATE ISO 30
5	6314A0455	AGGREGATE
6	C0801A02	BUSHING
7	C0681A01	MILLING CUTTER

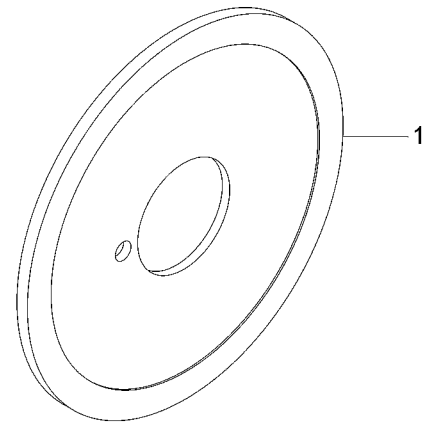
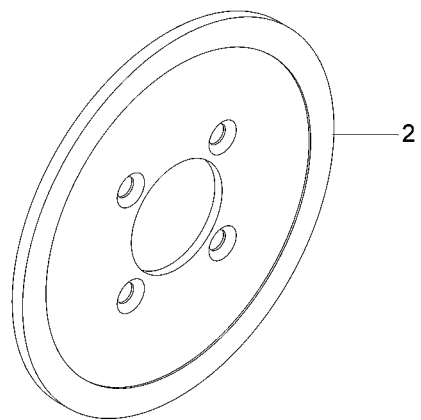
- 1 K1008K0061 - SX
- 2 K1012K0033
- 3 K1012K0034
- 4 0807A0477
- 5 6313A0016 - SX
- 6 1001A0005
- 7 2917A0029
- 8 2921A0047
- 9 3110A1889
- 10 2801A0333



C0678A00 - spindles unit - SX - 69371\_ALL - ROVER A 03-12-2008

POSITION	DRAWING/COMPONENT	DESCRIPTION
1	K1008K0061	CYLINDER SX
2	K1012K0033	WASHER
3	K1012K0034	RING
4	0807A0477	SHAFT
5	6313A0016	SPINDLE SX
6	1001A0005	RING
7	2917A0029	WHEEL
8	2921A0047	BALL
9	3110A1889	RING
10	2801A0333	SPRING

- 1 3401A0253 - De=270 Di=3..
- 1 3401A0235 - De=120 Di=4..
- 1 3401A0251 - De=215 Di=3..
- 1 3401A0252 - De=250 Di=3..
- 1 3401A0250 - De=180 Di=3..
- 2 3401A0238 - De=120 Di=3..
- 2 3401A0254 - De=120 Di=3..
- 2 3401A0255 - De=140 Di=3..
- 2 3401A0217 - De=120 Di=4..
- 2 3401A0224 - De=180 Di=4..
- 2 3401A0218 - De=180 Di=3..

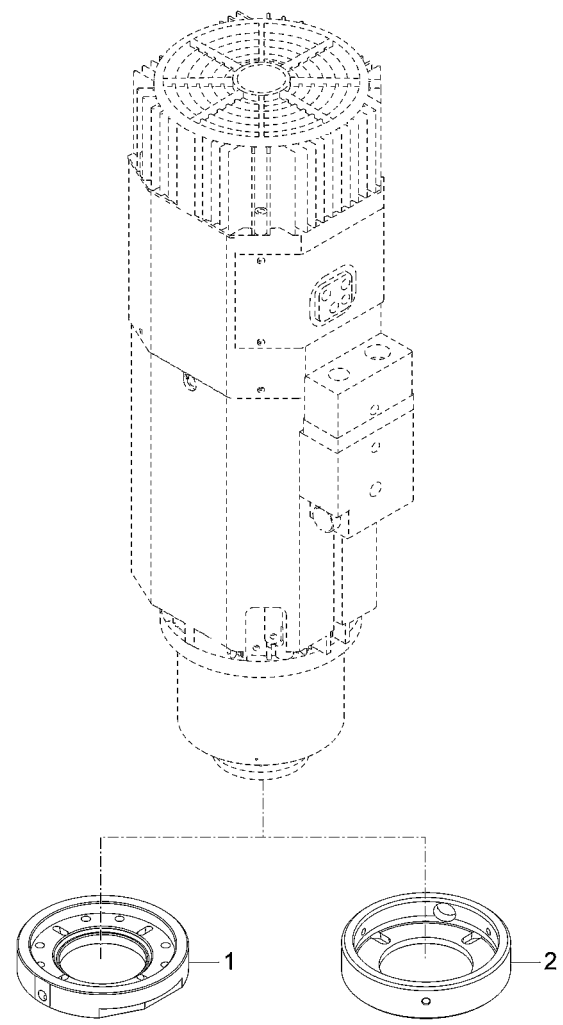




C0681A01 - MILLING CUTTER - 69371\_ALL - ROVER A 03-12-2008

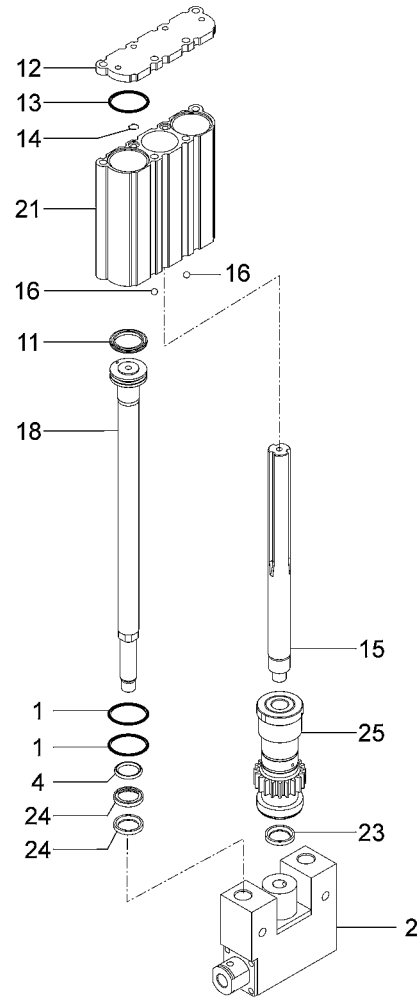
POSITION	DRAWING/COMPONENT	DESCRIPTION
1	3401A0253	BLADE DE=270 DI=35
1	3401A0235	BLADE DE=120 DI=48 S4,0 Z=30
1	3401A0251	BLADE DE=215 DI=35 S=4 Z=50
1	3401A0252	BLADE DE=250 DI=35 S=3,2
1	3401A0250	BLADE DE=180 DI=35 S=4 Z=42
2	3401A0238	MILLING CUTTER DE=120 DI=35 S4 Z=30
2	3401A0254	MILLING CUTTER DE=120 DI=35 S=4 Z=30
2	3401A0255	MILLING CUTTER DE=140 DI=35 S=4 Z=30
2	3401A0217	BLADE DE=120 DI=45 S4,0 Z=30
2	3401A0224	BLADE DE=180 DI=48 S4,0 Z=42
2	3401A0218	BLADE DE=180 DI=30 S4,0 Z=42

- 1 0801A0415
- 2 0801A0054 - D.100 mm



C0686A01 - FLANGE FOR ELECTROSPINDLE - 69371\_ALL - ROVER A 03-12-2008

POSITION	DRAWING/COMPONENT	DESCRIPTION
1	0801A0415	FLANGE
2	0801A0054	FLANGE D.100 MM

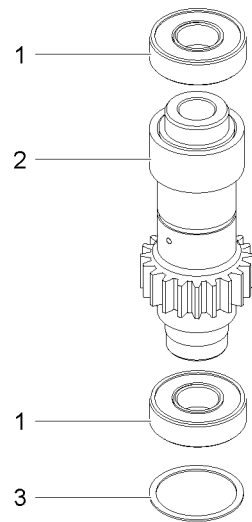


1	311002200
2	C0759A01
11	310700600 - PK 25
12	0808A0031
13	311028800
14	3110A0229
15	0807A0478
16	2921A0043
18	0815A0289
21	0916A0112 - L=99,5mm
23	311300500
24	311402000 - G15-21-3
25	C0691A00

## C0690A04 - BORING CHUCK - 69371\_ALL - ROVER A 03-12-2008

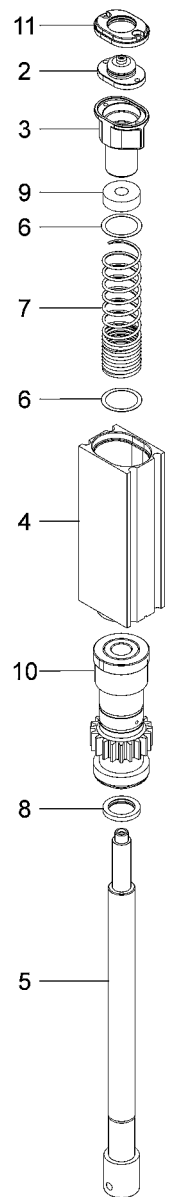
POSITION	DRAWING/COMPONENT	DESCRIPTION
1	311002200	SEAL RING
2	C0759A01	HORIZONTAL BORING CHUCK
11	310700600	GASKET PK 25
12	0808A0031	COVER
13	311028800	SEAL RING
14	3110A0229	RING
15	0807A0478	SPINDLE
16	2921A0043	BALL
18	0815A0289	ROD
21	0916A0112	CYLINDER LINER L=99,5MM
23	311300500	SEAL RING
24	311402000	RING G15-21-3
25	C0691A00	GEAR WHEEL

- 1 2930A0004
- 2 1621A0152 - DX
- 2 1621A0153 - SX
- 3 280700400



C0691A00 - GEAR WHEEL - 69371\_ALL - ROVER A 03-12-2008

POSITION	DRAWING/COMPONENT	DESCRIPTION
1	2930A0004	BEARING
2	1621A0152	GEAR WHEEL DX
2	1621A0153	GEAR WHEEL SX
3	280700400	RING

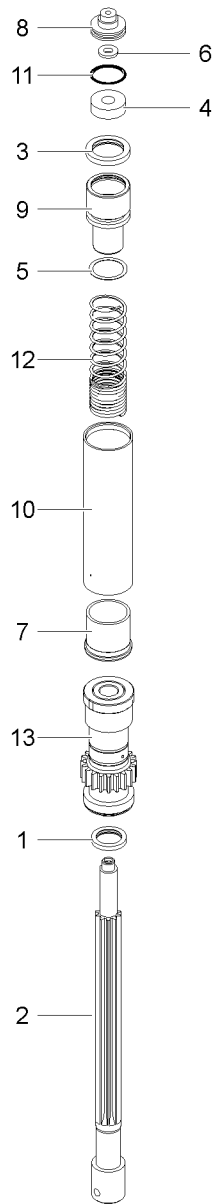


- 2 1415A0003
- 3 1415A0004
- 4 1416A0002 - L=115mm
- 5 0807A0475 - DX
- 5 0807A0476 - SX
- 6 080656600
- 7 280104901 - DI=19,7 DE=..
- 8 311300500
- 9 290100100 - 608-2RS RIV..
- 10 C0691A00
- 11 1419A0015



C0694A01 - SPINDLE - 69371\_ALL - ROVER A 03-12-2008

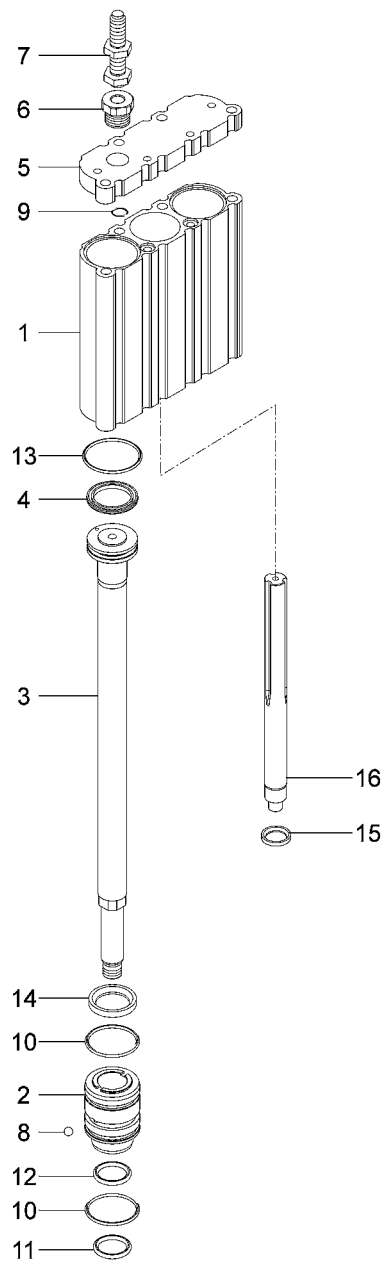
POSITION	DRAWING/COMPONENT	DESCRIPTION
2	1415A0003	PISTON
3	1415A0004	PISTON
4	1416A0002	CYLINDER LINER L=115MM
5	0807A0475	SPINDLE DX
5	0807A0476	SPINDLE SX
6	080656600	RING
7	280104901	SPRING DI=19,7 DE=23,1 L=85MM
8	311300500	SEAL RING
9	290100100	BEARING 608-2RS RIV-SKF
10	C0691A00	GEAR WHEEL
11	1419A0015	GASKET



- |    |                           |
|----|---------------------------|
| 1  | 311300500                 |
| 2  | 0807A0475 - DX            |
| 2  | 0807A0476 - SX            |
| 3  | 1419A0001                 |
| 4  | 290100100 - 608-2RS RIV.. |
| 5  | 080656600                 |
| 7  | 0817A0033                 |
| 8  | 090119512                 |
| 9  | 0915A0001                 |
| 10 | 1116A0003 - L=112mm       |
| 11 | 311001800 - OR 2075       |
| 12 | 280104901 - DI=19,7 DE=.. |
| 13 | C0691A00                  |

C0695A00 - SPINDLE - 69371\_ALL - ROVER A 03-12-2008

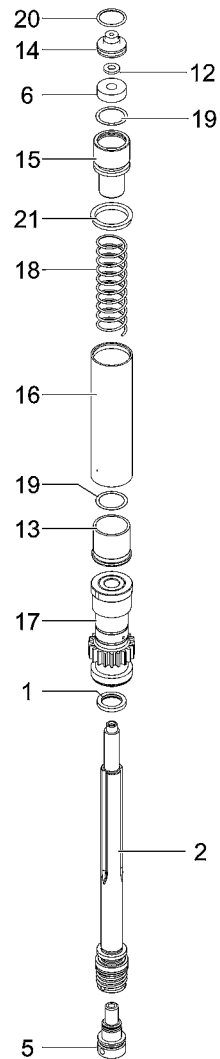
POSITION	DRAWING/COMPONENT	DESCRIPTION
1	311300500	SEAL RING
2	0807A0475	SPINDLE DX
2	0807A0476	SPINDLE SX
3	1419A0001	GASKET
4	290100100	BEARING 608-2RS RIV-SKF
5	080656600	RING
7	0817A0033	BUSH
8	090119512	PLUG
9	0915A0001	PISTON
10	1116A0003	CYLINDER LINER L=112MM
11	311001800	RING OR 2075
12	280104901	SPRING DI=19,7 DE=23,1 L=85MM
13	C0691A00	GEAR WHEEL



- 1 0916A0112 - L=99,5mm
- 2 0817A0194
- 3 0815A0289
- 4 310700600 - PK 25
- 5 0808A0034
- 6 1417A0027
- 7 2164A0585
- 8 2921A0043
- 9 3110A0229
- 10 311002200
- 11 3110A2145
- 13 311028800
- 14 311402000 - G15-21-3
- 15 311300500
- 16 0807A0478

C0696A02 - SLIDING UNIT - 69371\_ALL - ROVER A 03-12-2008

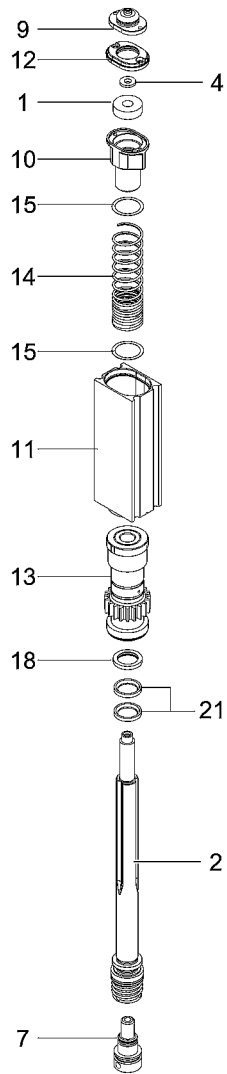
POSITION	DRAWING/COMPONENT	DESCRIPTION
1	0916A0112	CYLINDER LINER L=99,5MM
2	0817A0194	BUSHING
3	0815A0289	ROD
4	310700600	GASKET PK 25
5	0808A0034	COVER
6	1417A0027	BUSHING
7	2164A0585	SENSOR
8	2921A0043	BALL
9	3110A0229	RING
10	311002200	SEAL RING
11	3110A2145	GASKET
13	311028800	SEAL RING
14	311402000	RING G15-21-3
15	311300500	SEAL RING
16	0807A0478	SPINDLE



- |    |                           |
|----|---------------------------|
| 1  | 311300500                 |
| 2  | C0678A00 - SX             |
| 2  | C0732A00 - DX             |
| 5  | K1010K0013                |
| 6  | 290100100 - 608-2RS RIV.. |
| 13 | 0817A0033                 |
| 14 | 090119512                 |
| 15 | 0915A0001                 |
| 16 | 1116A0003 - L=112mm       |
| 17 | C0691A00                  |
| 18 | 280104901 - DI=19,7 DE=.. |
| 19 | 080656600                 |
| 20 | 311001800 - OR 2075       |
| 21 | 1419A0001                 |

C0698A02 - SPINDLE - 69371\_ALL - ROVER A 03-12-2008

POSITION	DRAWING/COMPONENT	DESCRIPTION
1	311300500	SEAL RING
2	C0678A00	SPINDLES UNIT SX
2	C0732A00	SPINDLES UNIT DX
5	K1010K0013	BUSH
6	290100100	BEARING 608-2RS RIV-SKF
13	0817A0033	BUSH
14	090119512	PLUG
15	0915A0001	PISTON
16	1116A0003	CYLINDER LINER L=112MM
17	C0691A00	GEAR WHEEL
18	280104901	SPRING DI=19,7 DE=23,1 L=85MM
19	080656600	RING
20	311001800	RING OR 2075
21	1419A0001	GASKET

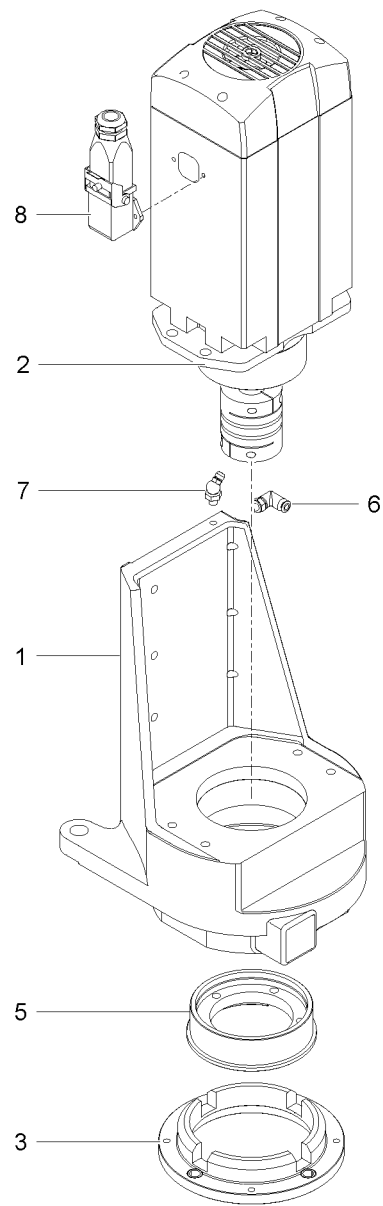


- 1 290100100 - 608-2RS RIV..
- 2 C0678A00 - SX
- 2 C0732A00 - DX
- 7 K1010K0013
- 9 1415A0003
- 10 1415A0004
- 11 1416A0002 - L=115mm
- 12 1419A0015
- 13 C0691A00
- 14 280104901 - DI=19,7 DE=..
- 15 080656600
- 18 311300500



C0699A02 - SPINDLE - 69371\_ALL - ROVER A 03-12-2008

POSITION	DRAWING/COMPONENT	DESCRIPTION
1	290100100	BEARING 608-2RS RIV-SKF
2	C0678A00	SPINDLES UNIT SX
2	C0732A00	SPINDLES UNIT DX
7	K1010K0013	BUSH
9	1415A0003	PISTON
10	1415A0004	PISTON
11	1416A0002	CYLINDER LINER L=115MM
12	1419A0015	GASKET
13	C0691A00	GEAR WHEEL
14	280104901	SPRING DI=19,7 DE=23,1 L=85MM
15	080656600	RING
18	311300500	SEAL RING

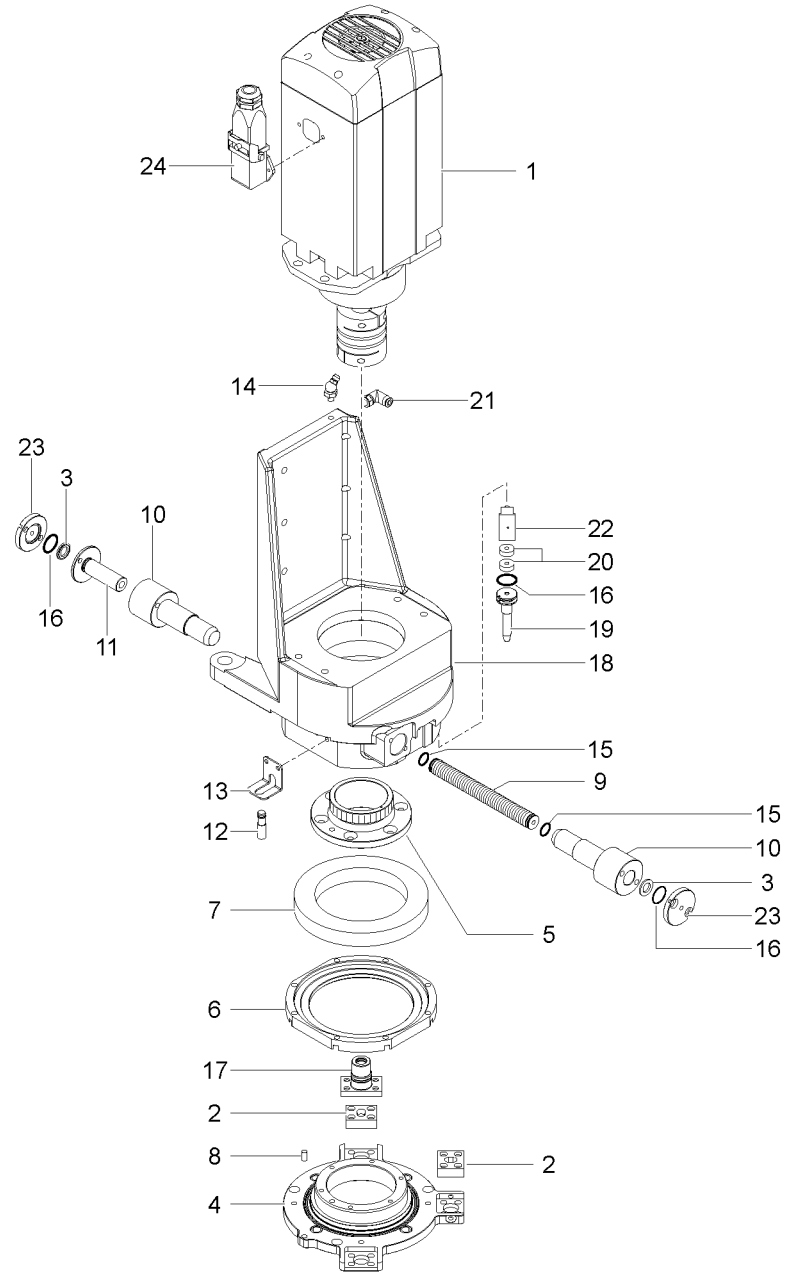


- 1 0905A1518
- 2 C0711A00
- 3 1601A0051
- 5 0801A0443
- 6 2615A0043
- 7 260500400
- 8 P0071A00

C0709A00 - MULTIFUNCTION UNIT - 69371\_ALL - ROVER A 03-12-2008

POSITION	DRAWING/COMPONENT	DESCRIPTION
1	0905A1518	SUPPORT
2	C0711A00	MOTOR UNIT
3	1601A0051	FLANGE
5	0801A0443	FLANGE
6	2615A0043	CONNECTOR
7	260500400	GREASING NIPPLE
8	P0071A00	CONNECTOR

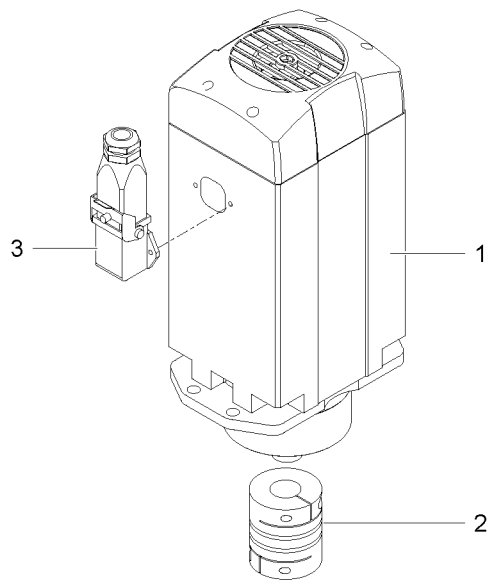
1 C0711A00  
24 P0071A00



C0710A00 - MULTIFUNCTION UNIT - 69371\_ALL - ROVER A 03-12-2008

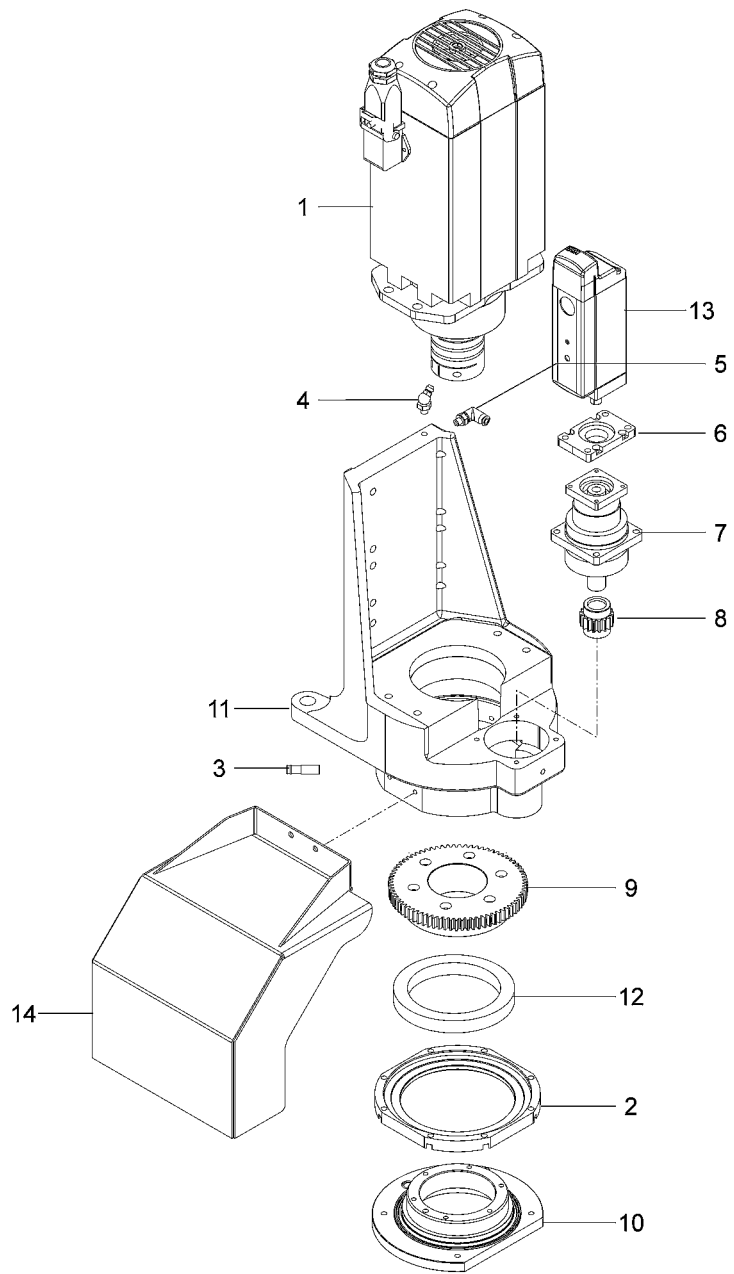
POSITION	DRAWING/COMPONENT	DESCRIPTION
1	C0711A00	MOTOR UNIT
24	P0071A00	CONNECTOR

- 1 6410A0283
- 2 2707A0311
- 3 P0071A00



C0711A00 - MOTOR UNIT - 69371\_ALL - ROVER A 03-12-2008

POSITION	DRAWING/COMPONENT	DESCRIPTION
1	6410A0283	ELECTROSPINDLE
2	2707A0311	JOINT
3	P0071A00	CONNECTOR

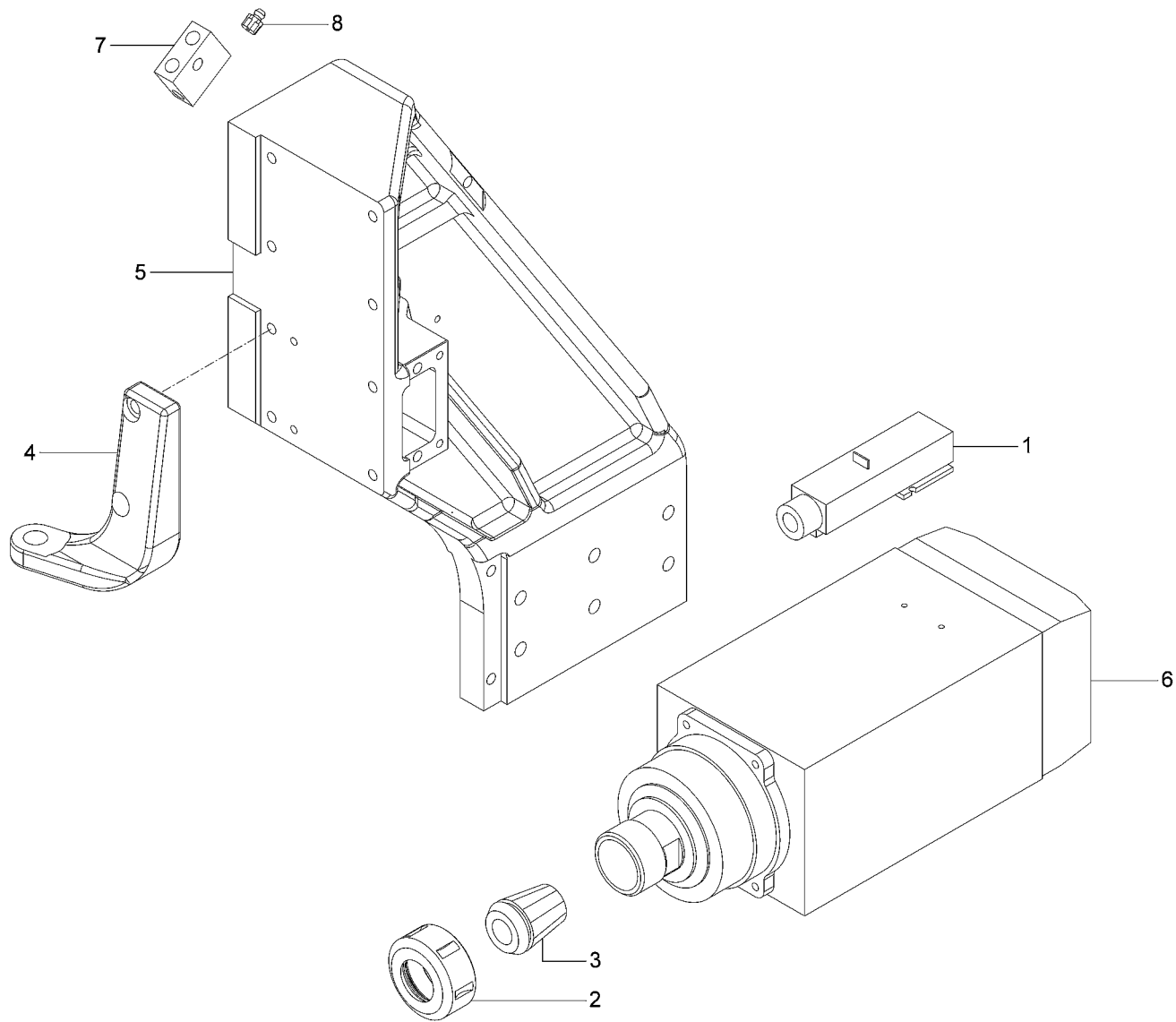


- 2 0801A0445
- 3 2164A0355
- 4 260500400
- 5 2615A0043
- 6 0901A0307
- 7 2001A0547
- 8 0821A0228
- 9 0821A0227
- 10 1601A0050
- 11 0905A1520
- 12 2908A0009
- 13 H0102D137CM



C0712A02 - MULTIFUNCTION UNIT - 69371\_ALL - ROVER A 03-12-2008

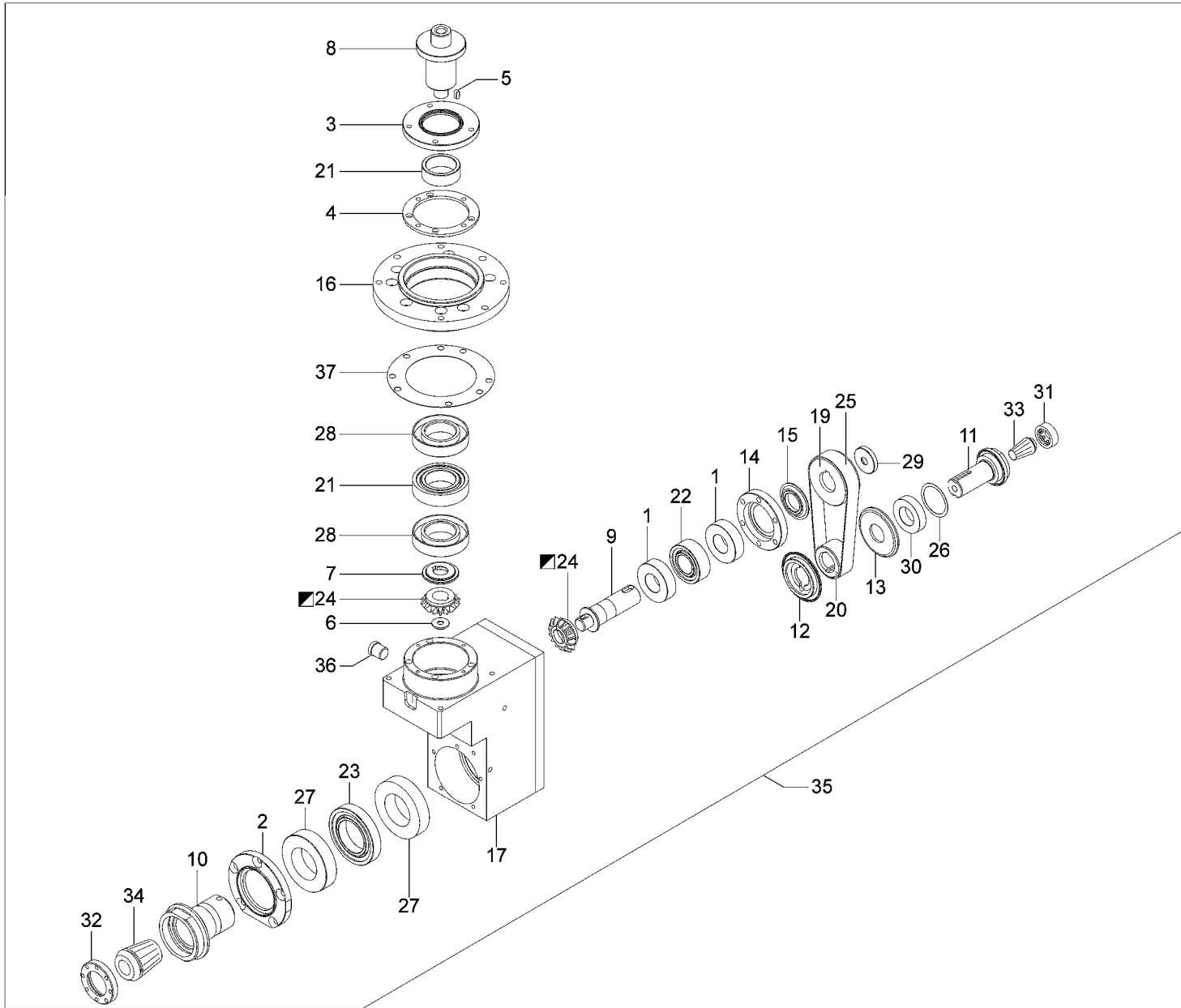
POSITION	DRAWING/COMPONENT	DESCRIPTION
2	0801A0445	FLANGE
3	2164A0355	SENSOR
4	260500400	GREASING NIPPLE
5	2615A0043	CONNECTOR
6	0901A0307	FLANGE
7	2001A0547	REDUCTION UNIT
8	0821A0228	GEAR WHEEL
9	0821A0227	GEAR WHEEL
10	1601A0050	FLANGE
11	0905A1520	SUPPORT
12	2908A0009	BEARING
13	H0102D137CM	ELECTRIC MOTOR



- 2 340705802 - M40x1.5-RH
- 3 340706500 - D=15-16 ERC..
- 4 0905A1636
- 5 0905A1634
- 6 6410A0260
- 7 091302800 - ISO 30
- 8 260500900

## C0713A01 - HORIZONTAL MOTOR UNIT - 69371\_ALL - ROVER A 03-12-2008

POSITION	DRAWING/COMPONENT	DESCRIPTION
2	340705802	RING NUT M40X1.5-RH
3	340706500	ELASTIC COLLET D=15-16 ERC 32
4	0905A1636	SUPPORT
5	0905A1634	SUPPORT
6	6410A0260	ELECTROSPINDLE
7	091302800	BLOCK ISO 30
8	260500900	GREASING NIPPLE



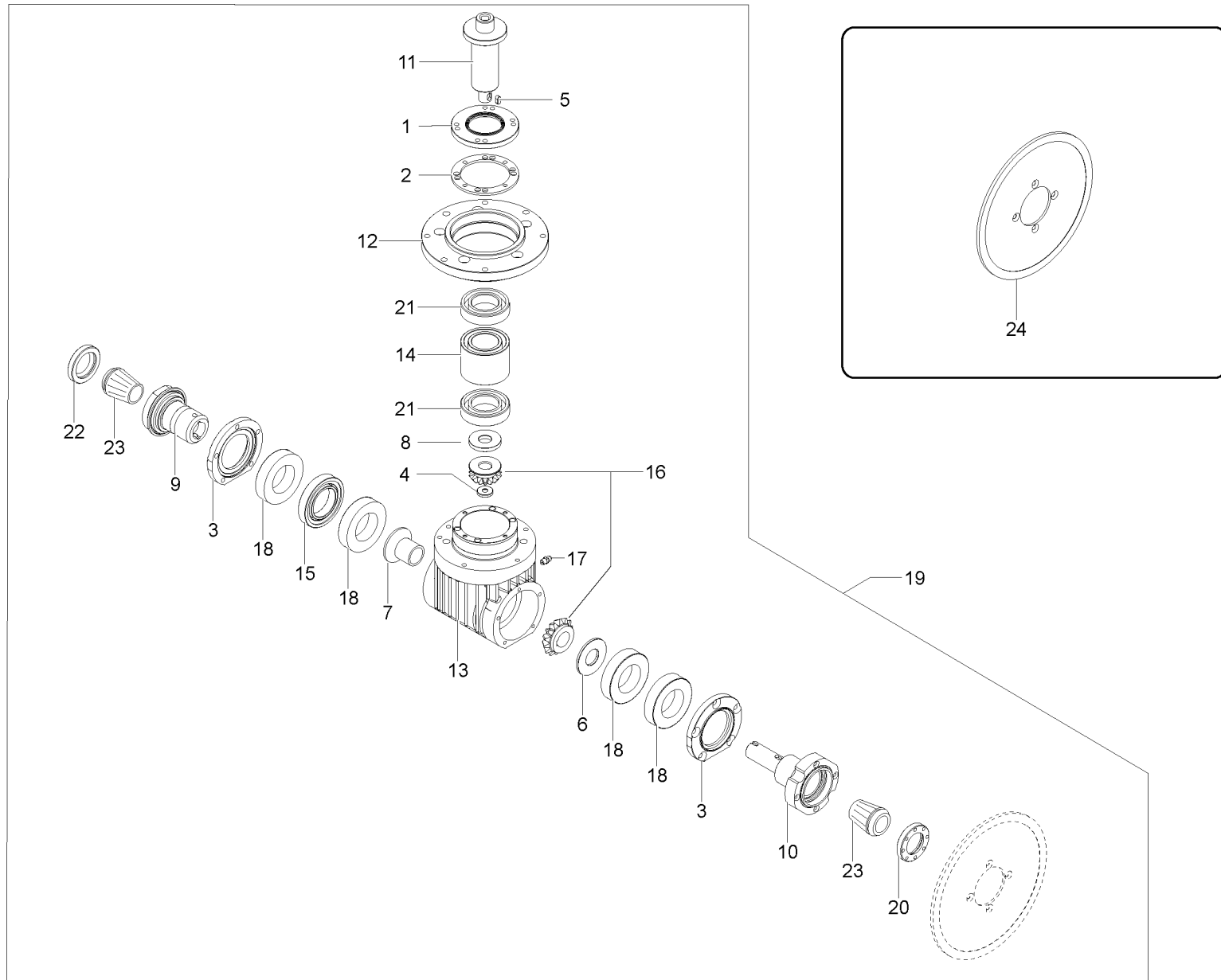
- 1 2903A0007 - 20-42-12
- 2 0801A0451
- 3 0801A0452
- 4 B0801B0002
- 5 080487200 - 5X4X10
- 6 0804A0052
- 7 0806A0532
- 8 0807A0434
- 9 0807A0440
- 10 0807A0441
- 11 0807A0443
- 12 0817A0199
- 13 0817A0200
- 14 0817A0201
- 15 0817A0202
- 16 B0901B0002
- 17 B1705B0001
- 19 0922A0198
- 20 0922A0199
- 21 1606A0017
- 22 1606A0065
- 23 1606A0066
- 24 1621A0156
- 25 2701A0246
- 26 2807A0011
- 27 290304400
- 28 2903A0005 - 30-55-13
- 29 080483400
- 30 2903A0031
- 31 3407A0215
- 32 0804A0312
- 33 3407A0151 - D=10 EX 16
- 34 340706500 - D=15-16 ERC..
- 35 B6314B0009
- 36 2605A0077
- 37 B0806B0002

C0714A02 - AGGREGATE - 69371\_ALL - ROVER A 03-12-2008

POSITION	DRAWING/COMPONENT	DESCRIPTION
1	2903A0007	BEARING 20-42-12
2	0801A0451	FLANGE
3	0801A0452	FLANGE
4	B0801B0002	FLANGE
5	080487200	FEATHER 5X4X10
6	0804A0052	WASHER
7	0806A0532	SPACER
8	0807A0434	SHAFT
9	0807A0440	SHAFT
10	0807A0441	SHAFT
11	0807A0443	SHAFT
12	0817A0199	BUSHING
13	0817A0200	BUSHING
14	0817A0201	FLANGE
15	0817A0202	BUSHING
16	B0901B0002	FLANGE
17	B1705B0001	SUPPORT
19	0922A0198	PULLEY
20	0922A0199	PULLEY
21	1606A0017	SPACER
22	1606A0065	SPACER
23	1606A0066	SPACER
24	1621A0156	BEVEL GEAR SET
25	2701A0246	BELT
26	2807A0011	RING
27	290304400	BEARING
28	2903A0005	BEARING 30-55-13
29	080483400	WASHER
30	2903A0031	BEARING

C0714A02 - AGGREGATE - 69371\_ALL - ROVER A 03-12-2008

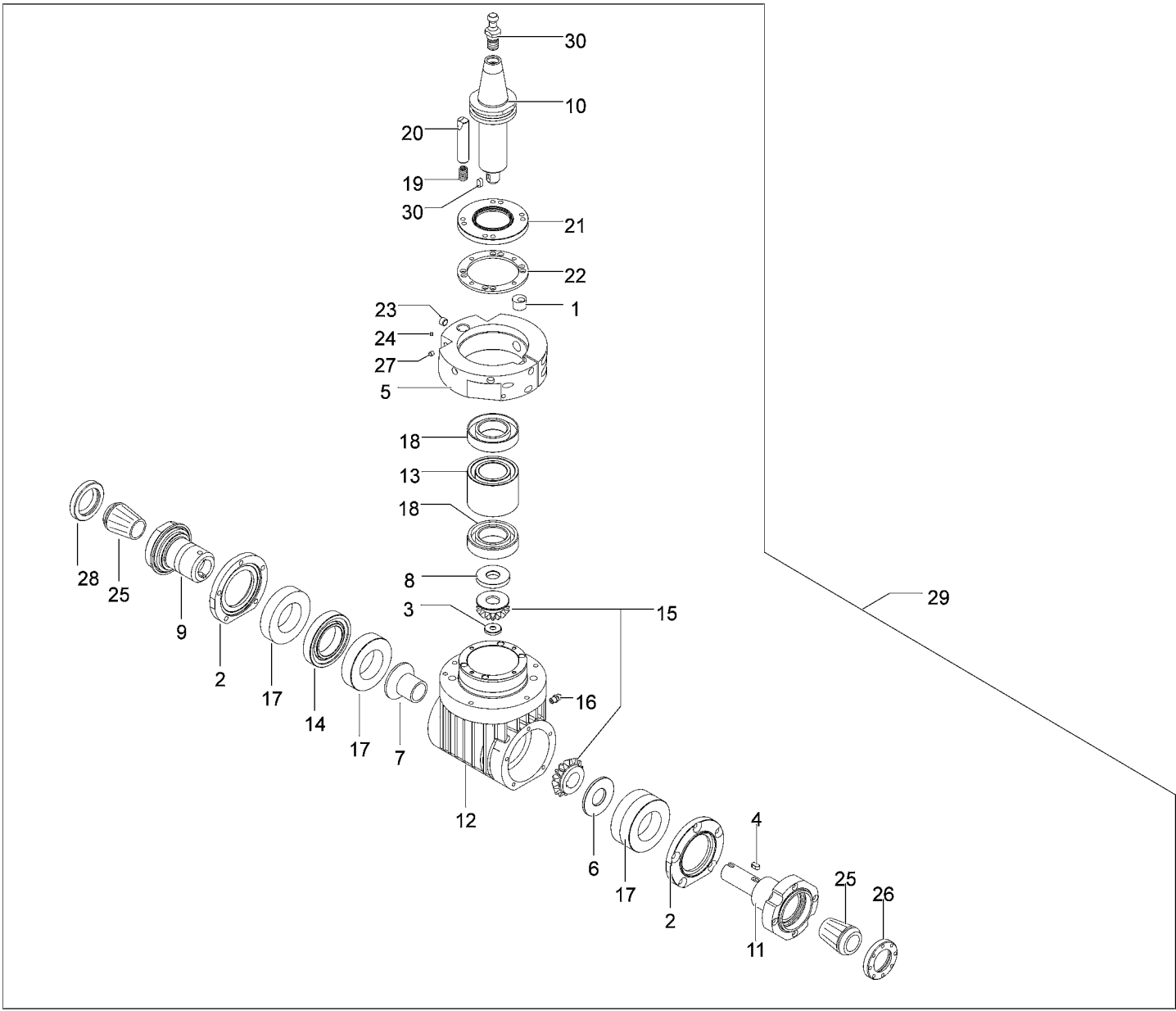
POSITION	DRAWING/COMPONENT	DESCRIPTION
31	3407A0215	RING NUT
32	0804A0312	RING NUT
33	3407A0151	ELASTIC COLLET D=10 EX 16
34	340706500	ELASTIC COLLET D=15-16 ERC 32
35	B6314B0009	AGGREGATE
36	2605A0077	GREASING NIPPLE
37	B0806B0002	SPACER

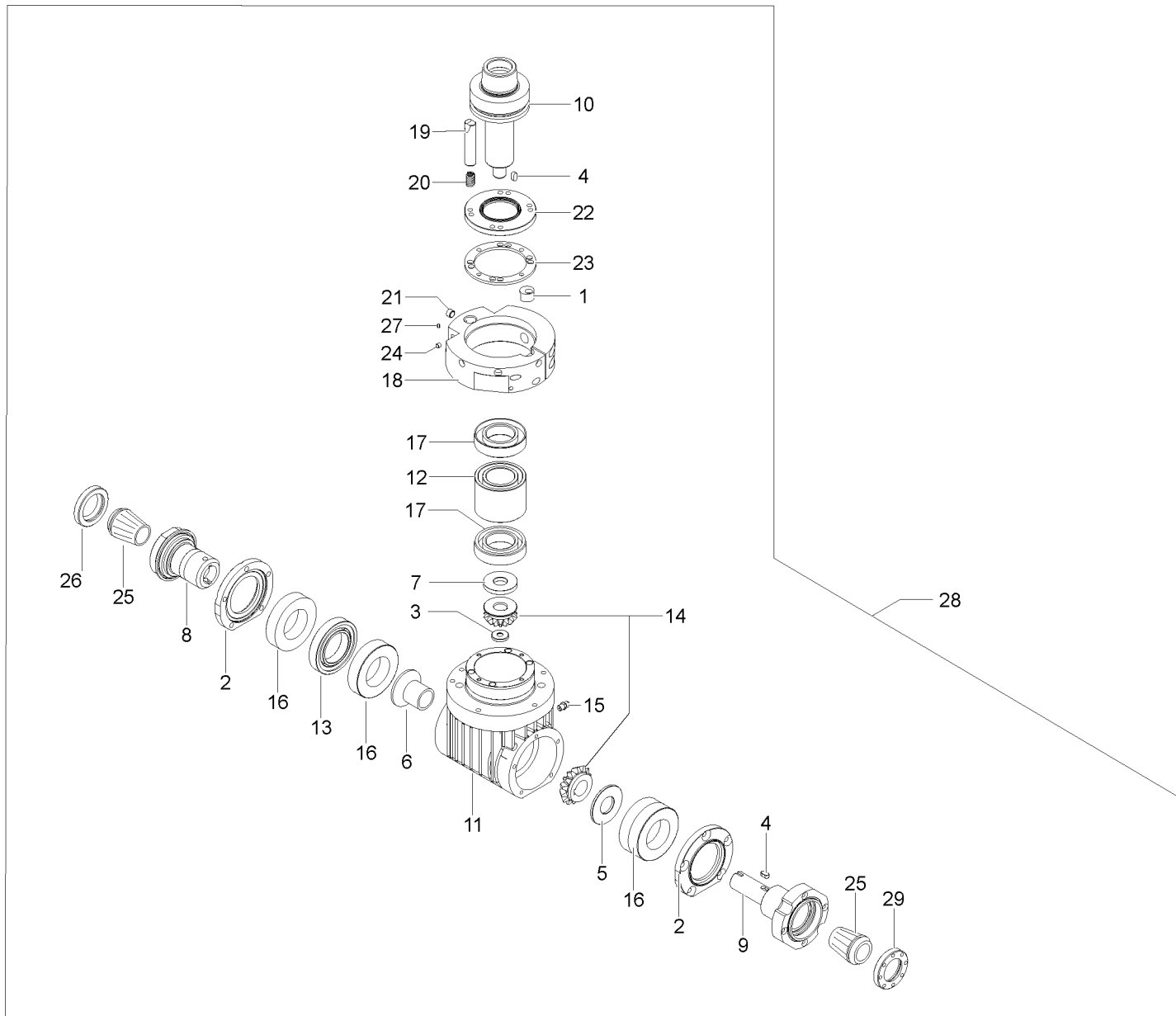


C0717A00 - AGGREGATE - D=180 - 69371\_ALL - ROVER A 03-12-2008

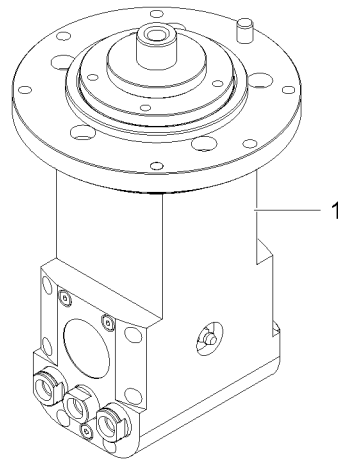
POSITION	DRAWING/COMPONENT	DESCRIPTION
24	C0681A01	MILLING CUTTER







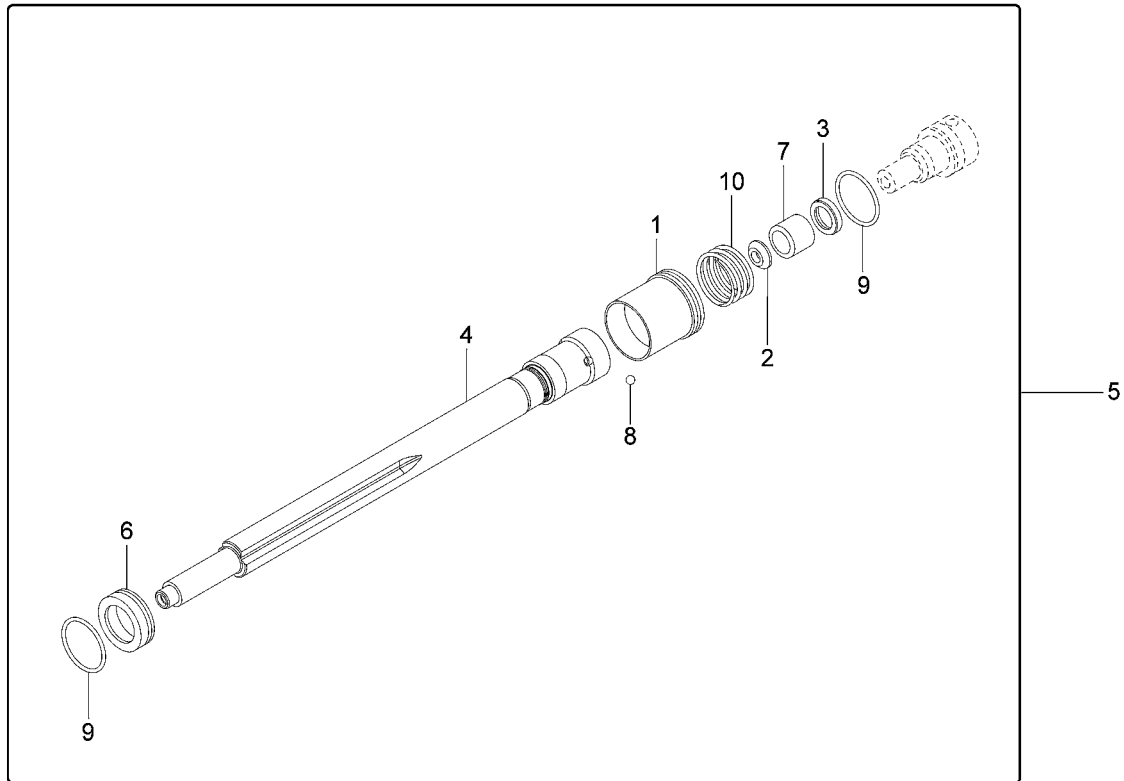
1 6314A0421



C0725A00 - AGGREGATE - 69371\_ALL - ROVER A 03-12-2008

POSITION	DRAWING/COMPONENT	DESCRIPTION
1	6314A0421	AGGREGATE

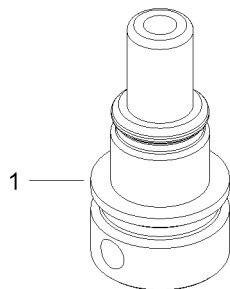
- 1 K1008K0062 - DX
- 2 K1012K0033
- 3 K1012K0034
- 4 0807A0477
- 5 6313A0015 - DX
- 6 1001A0005
- 7 2917A0029
- 8 2921A0047
- 9 3110A1889
- 10 2801A0333



C0732A00 - spindles unit - DX - 69371\_ALL - ROVER A 03-12-2008

POSITION	DRAWING/COMPONENT	DESCRIPTION
1	K1008K0062	CYLINDER DX
2	K1012K0033	WASHER
3	K1012K0034	RING
4	0807A0477	SHAFT
5	6313A0015	SPINDLE DX
6	1001A0005	RING
7	2917A0029	WHEEL
8	2921A0047	BALL
9	3110A1889	RING
10	2801A0333	SPRING

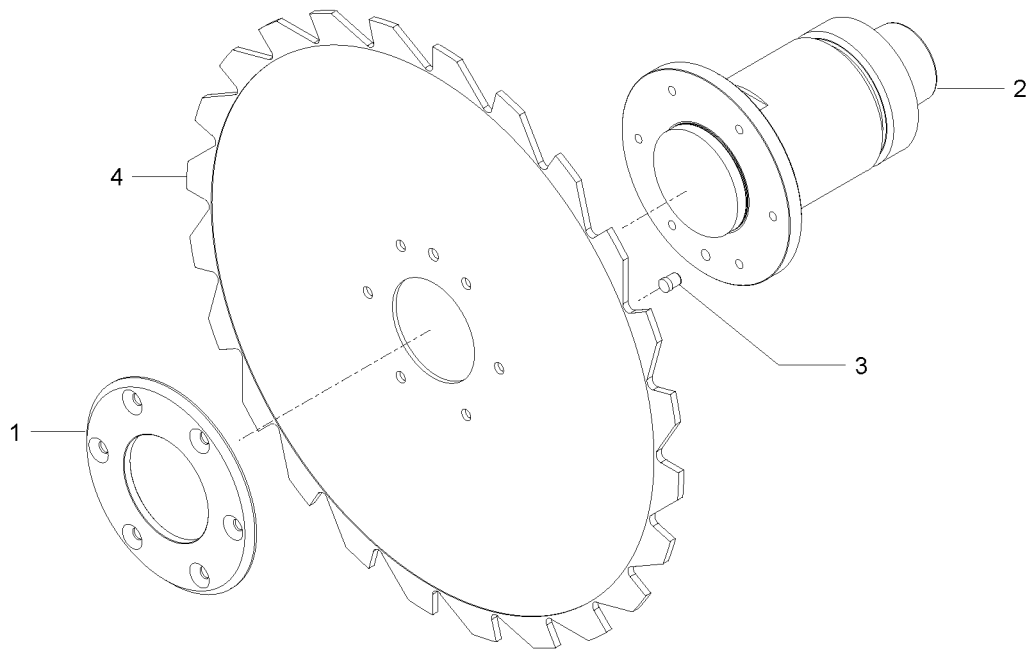
1 K1010K0013



C0754A00 - BUSH - 69371\_ALL - ROVER A 03-12-2008

POSITION	DRAWING/COMPONENT	DESCRIPTION
1	K1010K0013	BUSH

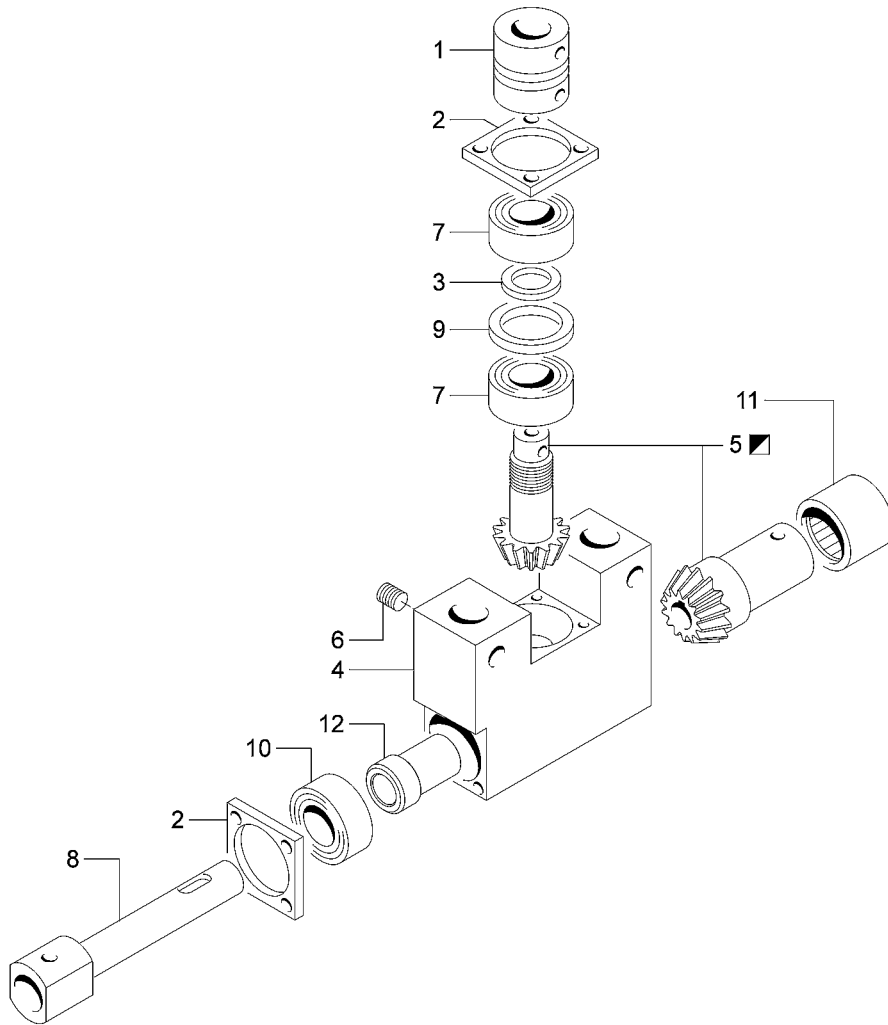




- 1 0801A0458
- 2 0807A0404
- 3 0820A0213
- 4 3401A0225 - De=300 Di=5..
- 4 3401A0226 - De=350 Di=5..

C0755A00 - AGGREGATE - 69371\_ALL - ROVER A 03-12-2008

POSITION	DRAWING/COMPONENT	DESCRIPTION
1	0801A0458	FLANGE
2	0807A0404	SHAFT
3	0820A0213	DOWEL
4	3401A0225	BLADE DE=300 DI=50 S3,2 Z=24
4	3401A0226	BLADE DE=350 DI=50 S3,5 Z=28

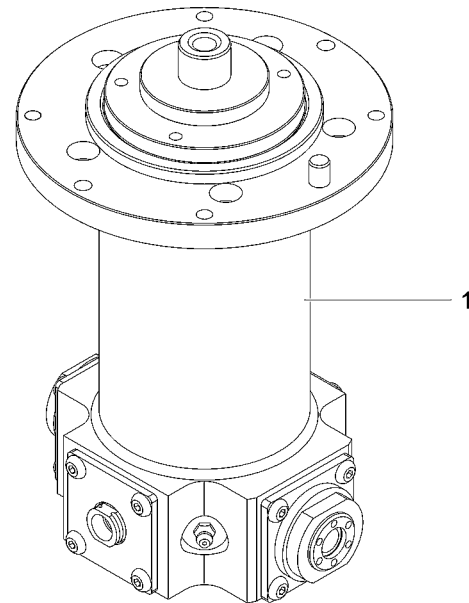


- 1 270704800 - W725-10-10X..
- 2 081485211
- 3 080632400
- 4 0905A1511
- 5 1621A0154 - RH
- 5 1621A0155 - LH
- 6 112001000 - D=4,5
- 7 290102300 - 6001-2RS RI..
- 8 080732110 - SX
- 8 080731910 - DX
- 9 080632500
- 10 290401600 - 12-28-12
- 11 290602000 - 22-28-14
- 12 0806A0632

## C0759A01 - HORIZONTAL BORING CHUCK - 69371\_ALL - ROVER A 03-12-2008

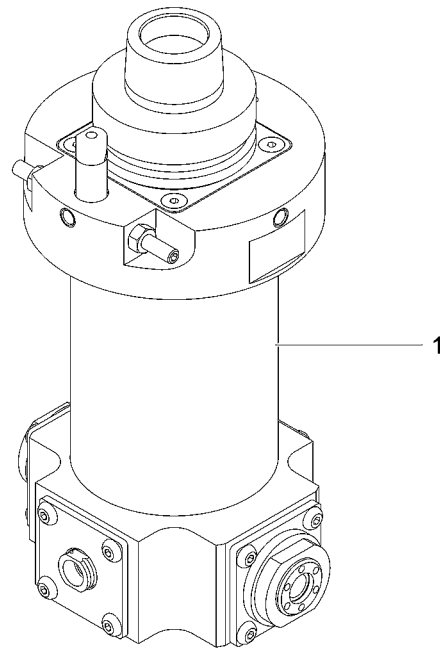
POSITION	DRAWING/COMPONENT	DESCRIPTION
1	270704800	JOINT W725-10-10XX SITME
2	081485211	PLATE
3	080632400	SPACER
4	0905A1511	SUPPORT
5	1621A0154	BEVEL GEAR SET RH
5	1621A0155	BEVEL GEAR SET LH
6	112001000	DOWEL D=4,5
7	290102300	BEARING 6001-2RS RIV-SKF
8	080732110	SPINDLE SX
8	080731910	SPINDLE DX
9	080632500	SPACER
10	290401600	BEARING 12-28-12
11	290602000	BEARING 22-28-14
12	0806A0632	SPACER

1 6314A0423



C0771A00 - AGGREGATE - 69371\_ALL - ROVER A 03-12-2008

POSITION	DRAWING/COMPONENT	DESCRIPTION
1	6314A0423	AGGREGATE

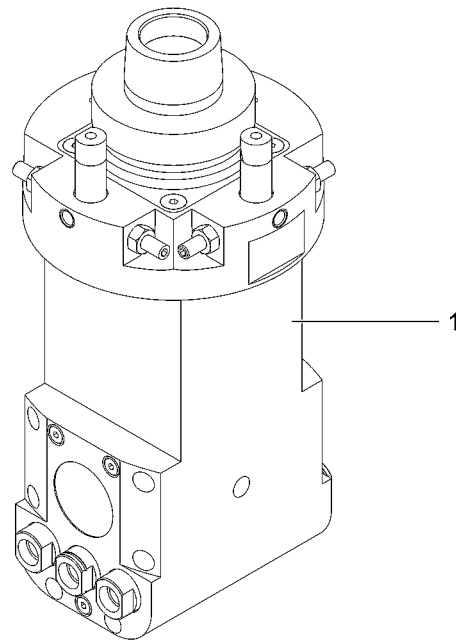


C0772A00 - AGGREGATE - 69371\_ALL - ROVER A 03-12-2008

POSITION	DRAWING/COMPONENT	DESCRIPTION
1	6314A0377	AGGREGATE

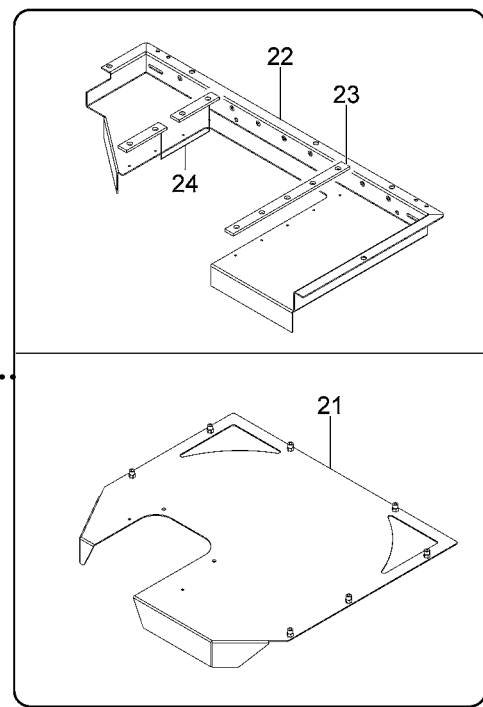
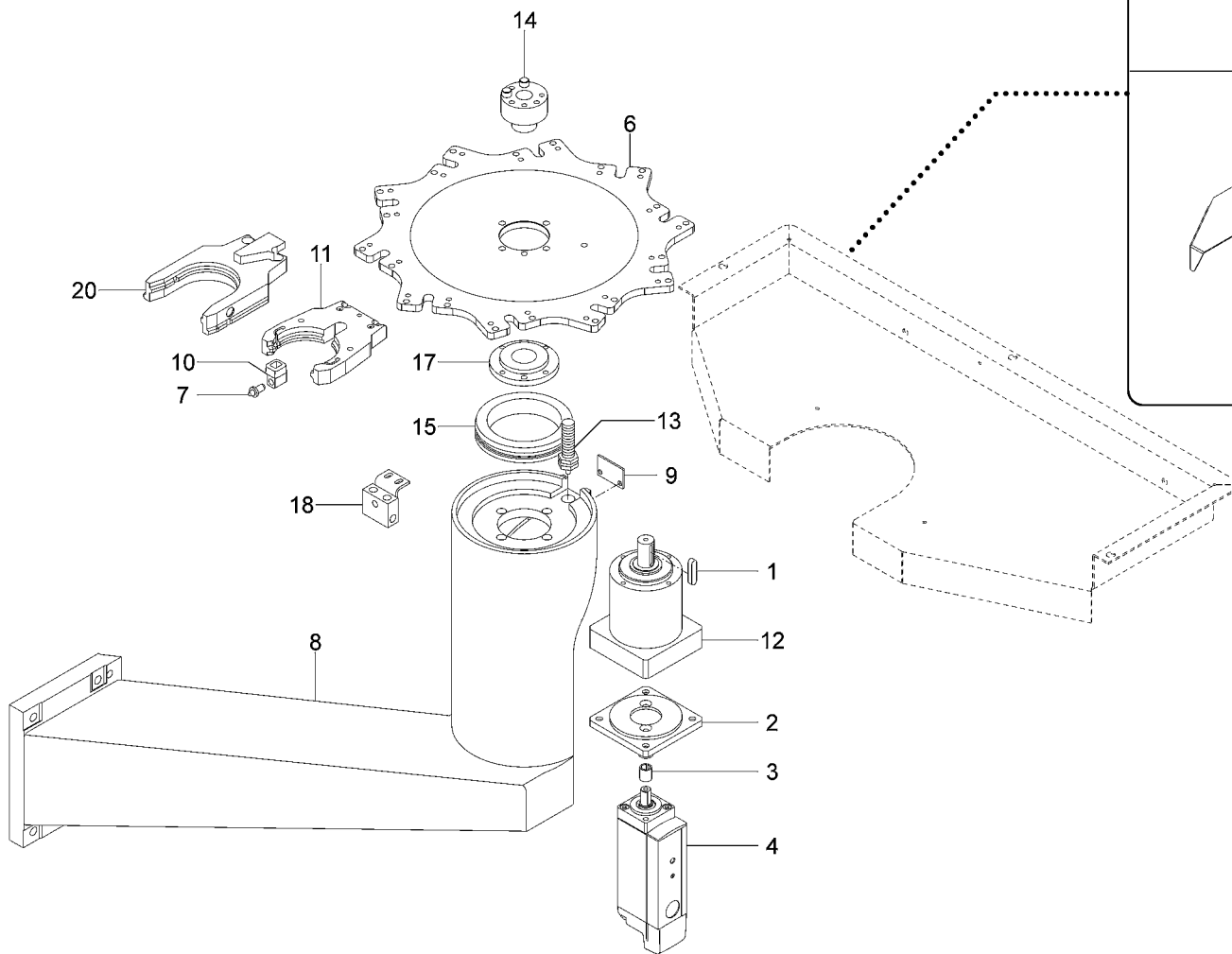


1 6314A0403



C0773A00 - AGGREGATE - 69371\_ALL - ROVER A 03-12-2008

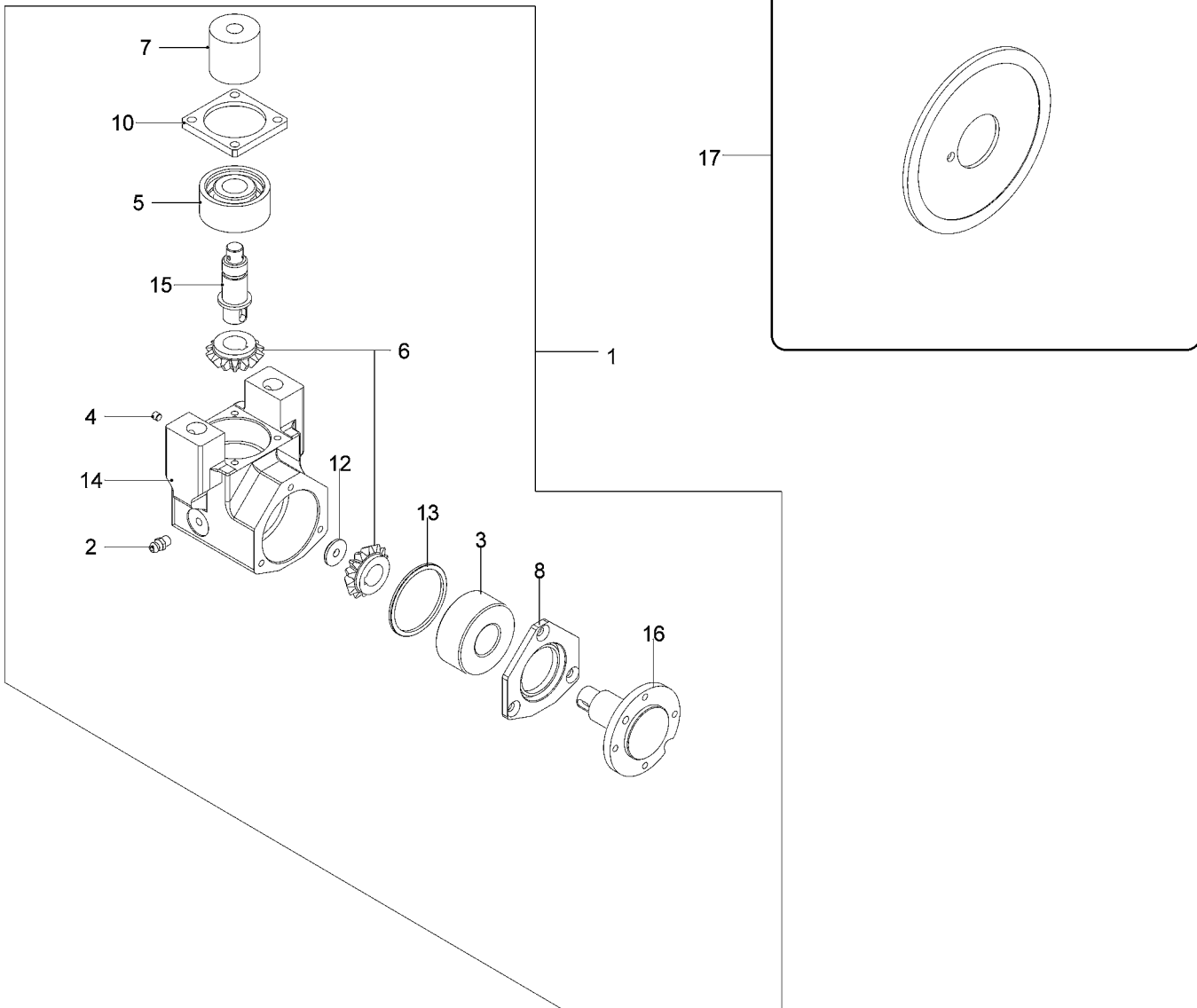
POSITION	DRAWING/COMPONENT	DESCRIPTION
1	6314A0403	AGGREGATE



1	0804A0333
2	0914A0744
3	0801A0301
4	0102D137C5
6	0805A0276 - 10P
7	0820A0142
8	0905A1756
9	0908A0233
10	1414A0170 - HSK F63
11	C0518A01
12	2001A0450
13	2164A0359
14	270706500
15	2911A0068
17	0801A0348
18	N0377A00
20	B0415A00
22	1208A2516
23	1414A0274
24	1414A0275

C0793A02 - REVOLVER TYPE TOOL MAGAZINE - 10P - 69371\_ALL - ROVER A 03-12-2008

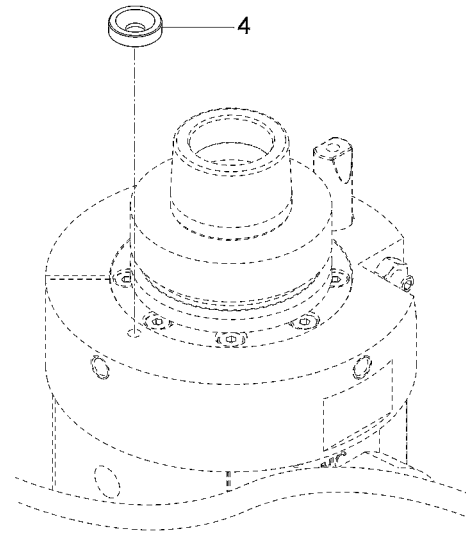
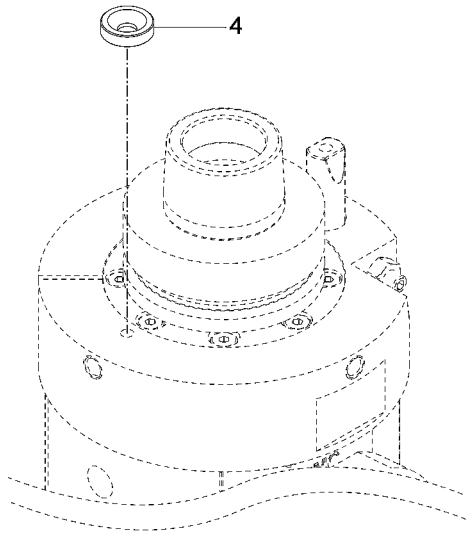
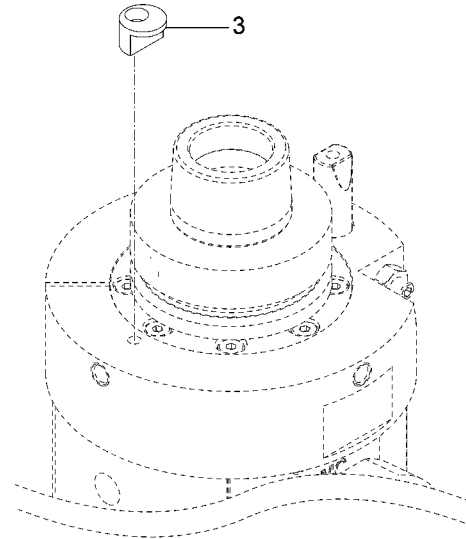
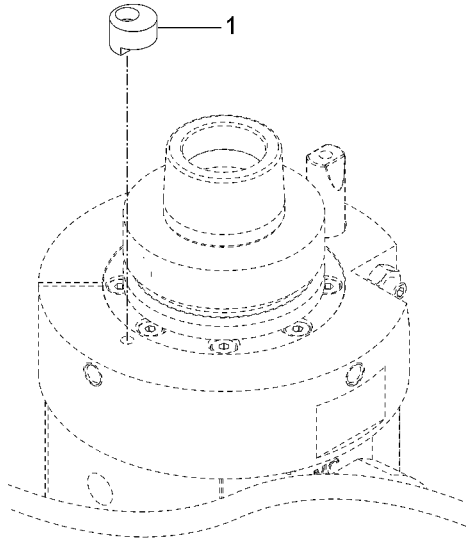
POSITION	DRAWING/COMPONENT	DESCRIPTION
1	0804A0333	FEATHER
2	0914A0744	FLANGE
3	0801A0301	RING
4	0102D137C5	ELECTRIC MOTOR
6	0805A0276	TOOL HOLDER 10P
7	0820A0142	DOWEL
8	0905A1756	SUPPORT
9	0908A0233	COVER
10	1414A0170	SUPPORT HSK F63
11	C0518A01	TOOL HOLDER
12	2001A0450	REDUCTION UNIT
13	2164A0359	SENSOR
14	270706500	KEYING DEVICE
15	2911A0068	BEARING
17	0801A0348	FLANGE
18	N0377A00	BLOWER
20	B0415A00	COLLET
22	1208A2516	COVER
23	1414A0274	BLOCK
24	1414A0275	BLOCK

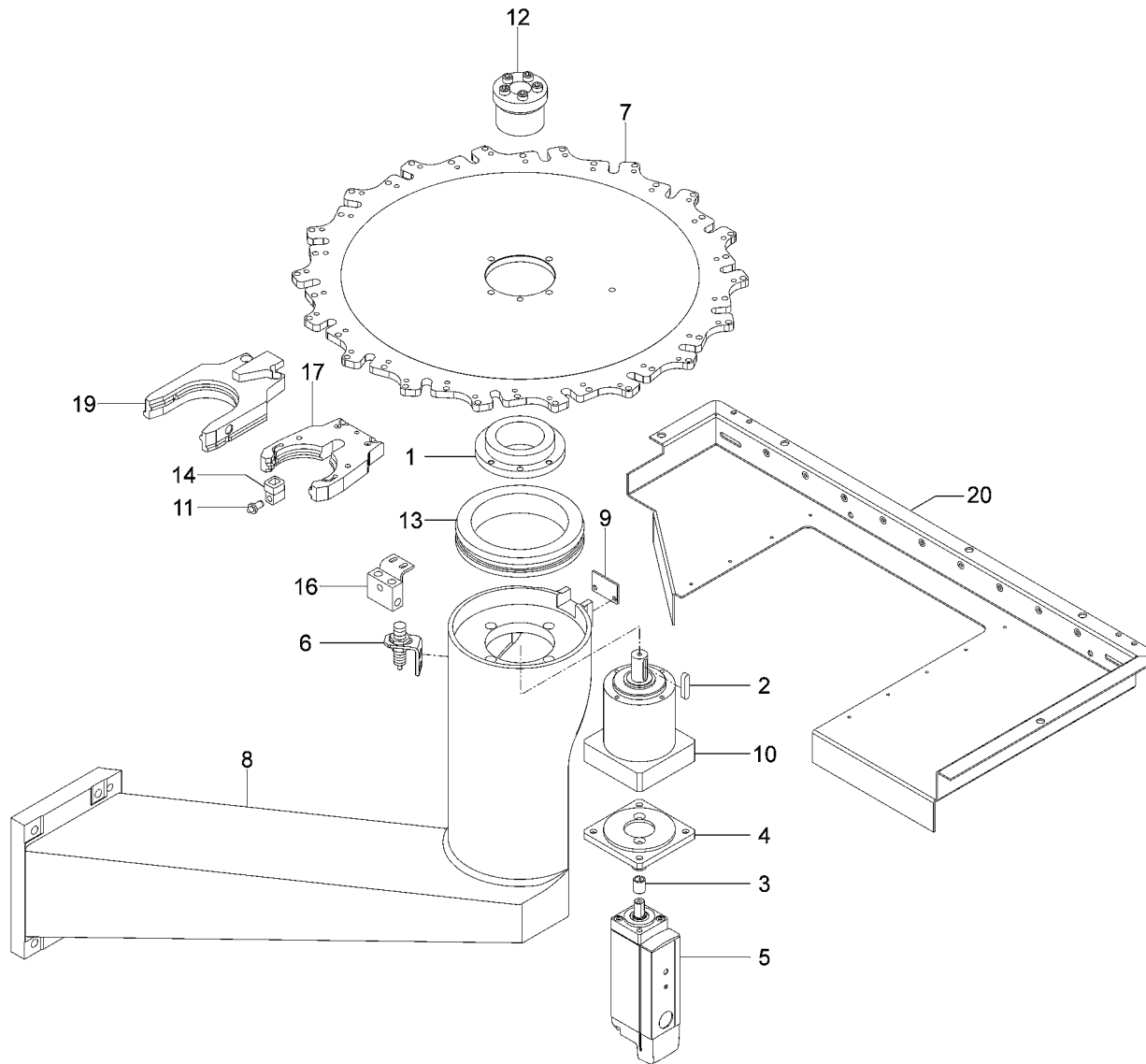


- 1 6314A0585
- 2 260500700
- 3 290401500 - 20-47-20,6
- 4 1120A0012 - D=6
- 5 290402400 - 15-42-19
- 6 1621A0156
- 7 2707A0009 - W7 30-10-10..
- 8 090840100
- 10 080123300
- 12 0804A0017
- 13 0806A0014
- 14 0905A1676
- 15 080755100
- 16 0807A0470
- 17 C0681A01

C0796A01 - MILLING CUTTER - 69371\_ALL - ROVER A 03-12-2008

POSITION	DRAWING/COMPONENT	DESCRIPTION
1	6314A0585	AGGREGATE
2	260500700	GREASING NIPPLE
3	290401500	BEARING 20-47-20,6
4	1120A0012	DOWEL D=6
5	290402400	BEARING 15-42-19
6	1621A0156	BEVEL GEAR SET
7	2707A0009	JOINT W7 30-10-10 HELY-CAL
8	090840100	PLATE
10	080123300	FLANGE
12	0804A0017	WASHER
13	0806A0014	SPACER
14	0905A1676	SUPPORT
15	080755100	SHAFT
16	0807A0470	SHAFT
17	C0681A01	MILLING CUTTER



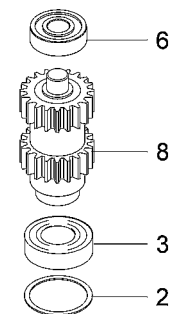
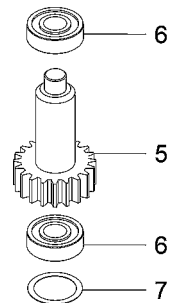
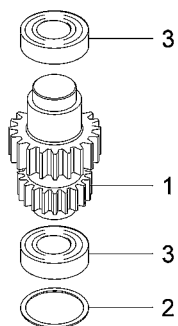
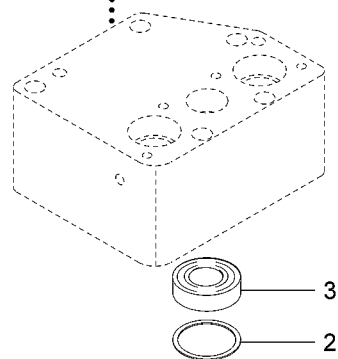
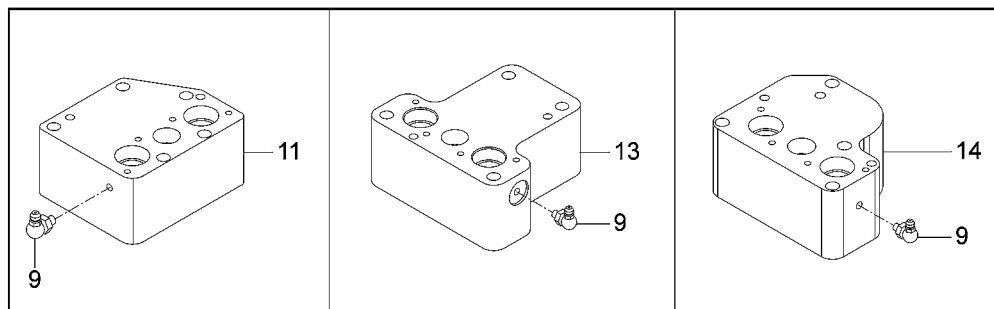


- |    |                     |
|----|---------------------|
| 1  | 0801A0441           |
| 2  | 0804A0262           |
| 3  | 0801A0301           |
| 4  | 0914A0744           |
| 5  | 0102D137C5          |
| 6  | P0085A00            |
| 7  | 0805A0404           |
| 8  | 0905A1757           |
| 9  | 0908A0233           |
| 10 | 2001A0618           |
| 11 | 0820A0142           |
| 12 | 2707A0099           |
| 13 | 2911A0107           |
| 14 | 1414A0170 - HSK F63 |
| 16 | N0333A00            |
| 17 | C0518A01            |
| 19 | B0415A00            |
| 20 | 1208A2516           |



C0806A01 - REVOLVER TYPE TOOL MAGAZINE - 18P - 69371\_ALL - ROVER A 03-12-2008

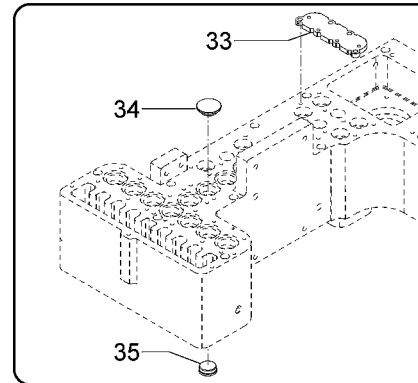
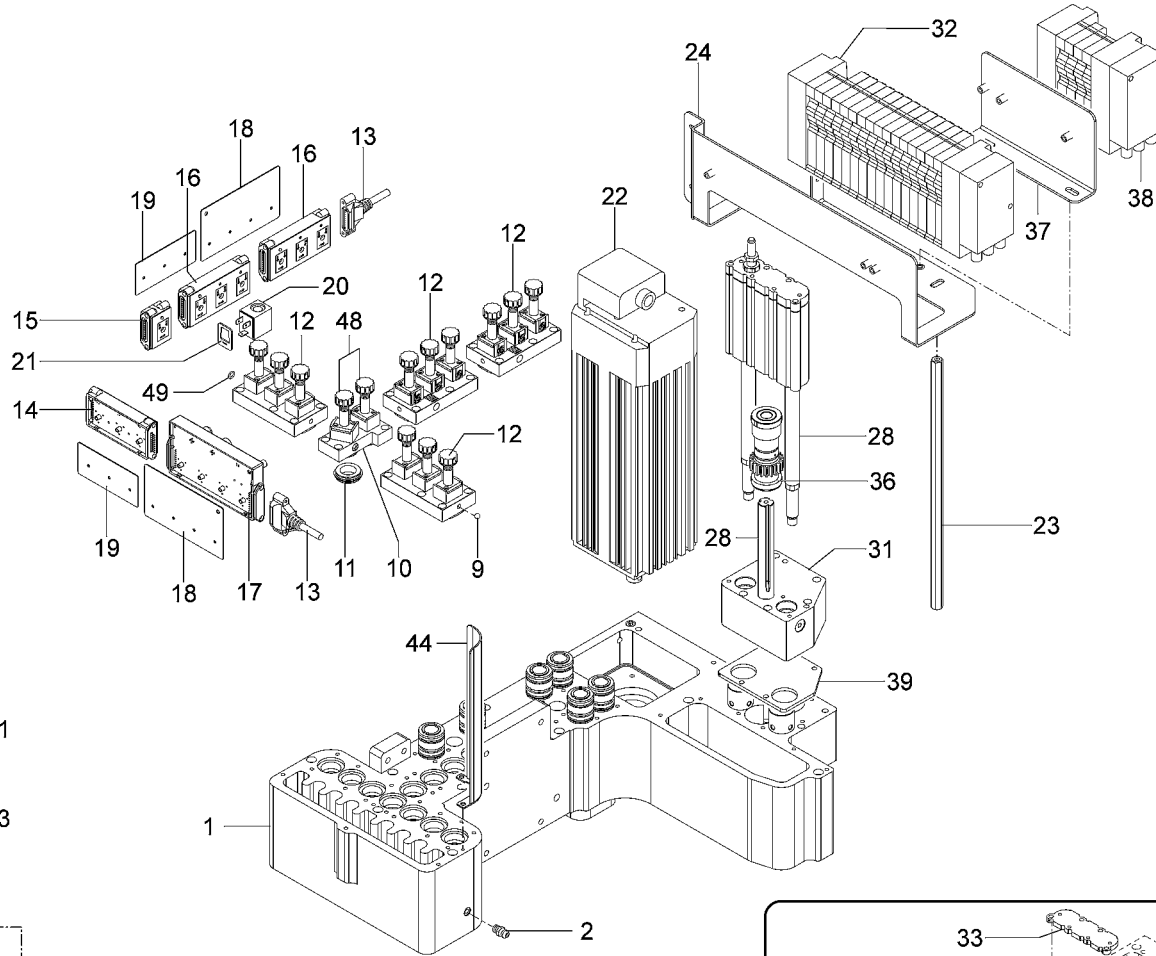
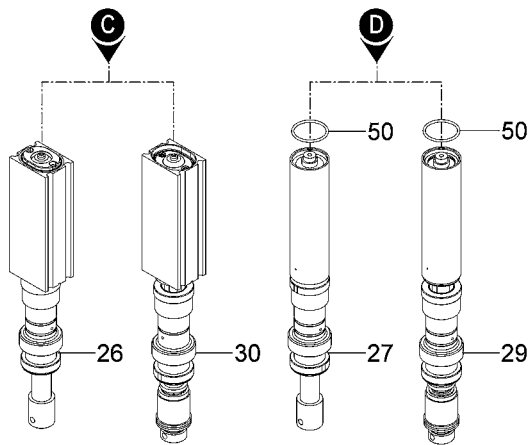
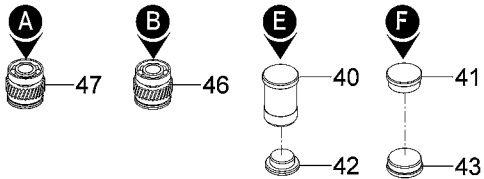
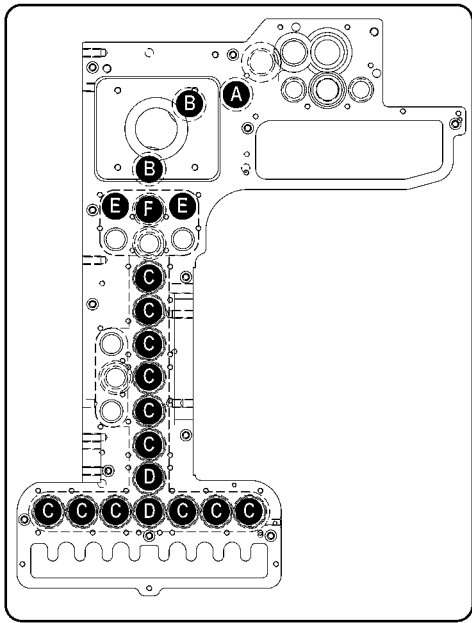
POSITION	DRAWING/COMPONENT	DESCRIPTION
1	0801A0441	FLANGE
2	0804A0262	FEATHER
3	0801A0301	RING
4	0914A0744	FLANGE
5	0102D137C5	ELECTRIC MOTOR
6	P0085A00	SENSOR
7	0805A0404	SUPPORT
8	0905A1757	SUPPORT
9	0908A0233	COVER
10	2001A0618	REDUCTION UNIT
11	0820A0142	DOWEL
12	2707A0099	KEYING DEVICE
13	2911A0107	BEARING
14	1414A0170	SUPPORT HSK F63
16	N0333A00	BLOWER
17	C0518A01	TOOL HOLDER
19	B0415A00	COLLET
20	1208A2516	COVER



- 1 1721A0007
- 2 280700400
- 3 293000200
- 5 0821A0237
- 6 290101700 - 6000-2RSH
- 7 2807A0001
- 8 1721A0006
- 9 260501400 - M6X1
- 11 0908A0410

C0808A02 - MILLING UNIT - 69371\_ALL - ROVER A 03-12-2008

POSITION	DRAWING/COMPONENT	DESCRIPTION
1	1721A0007	GEAR
2	280700400	RING
3	293000200	BEARING
5	0821A0237	GEAR
6	290101700	BEARING 6000-2RSH
7	2807A0001	RING
8	1721A0006	GEAR
9	260501400	GREASING NIPPLE M6X1
11	0908A0410	COVER



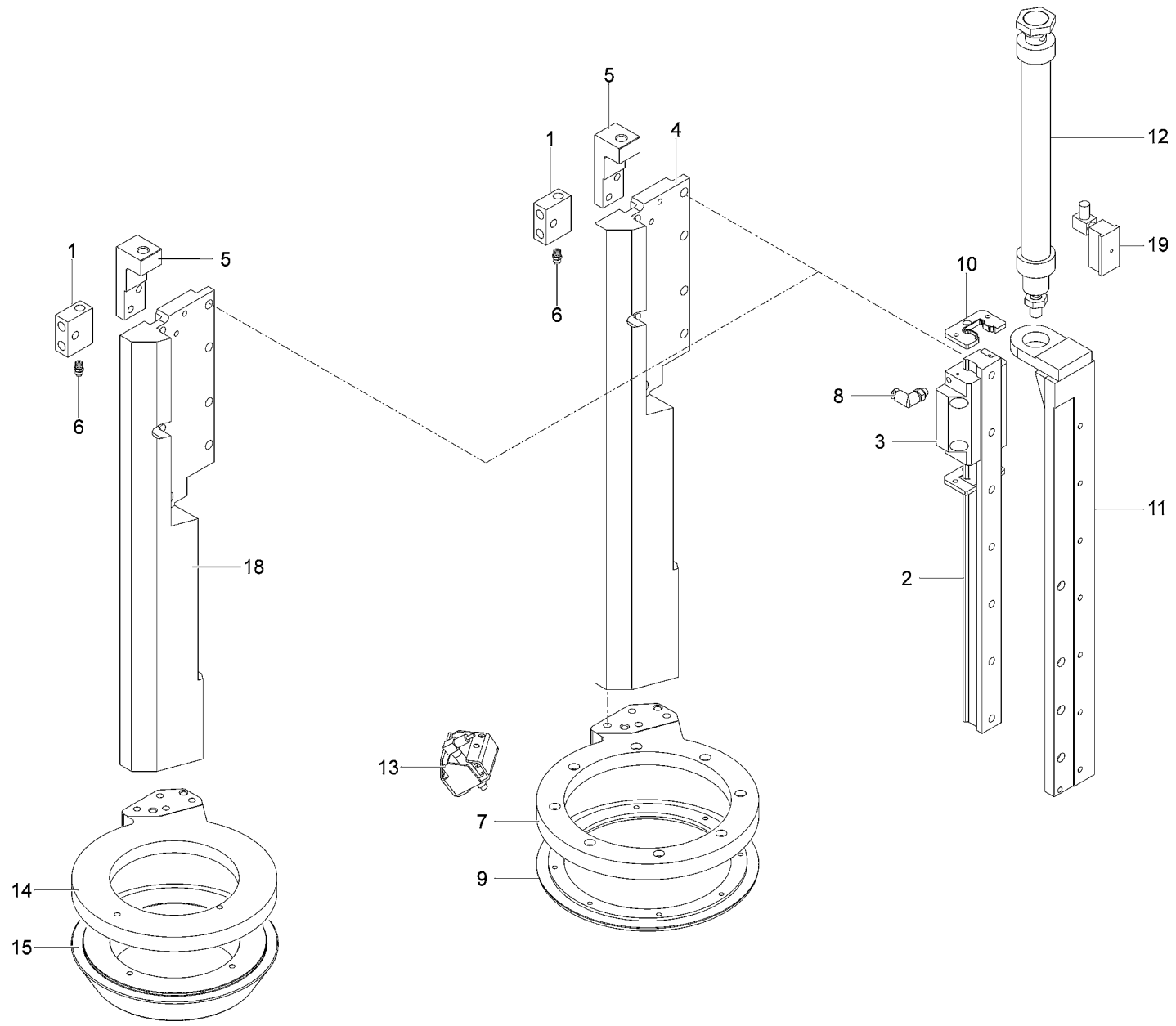
- 1 1612A0169
- 1 1612A0176
- 2 260500700
- 9 292100200 - HSK F63
- 10 0913A0113
- 11 0817A0059
- 12 1713A0008
- 12 C0192K00
- 13 0109DE042A0
- 14 0109DE040B1
- 15 0109DE041B0
- 16 0109DE040B0
- 17 0109DC305A0
- 19 0814A1389
- 20 2120A0049 - 8W
- 21 3123A0232
- 22 M0231A00
- 23 0805A0410
- 24 1208A2521
- 26 C0694A01
- 27 C0695A00
- 28 C0696A02
- 29 C0698A02
- 30 C0699A02
- 31 C0808A02
- 32 N0404A00 - BH18
- 32 N0402A00 - BH21
- 33 0808A0031
- 34 090123900
- 35 0901A0319 - D=20,6
- 36 C0691A00
- 37 1205A0912
- 38 N0403A00
- 39 1208A2469
- 40 0901A0233
- 41 0901A0176
- 42 0901A0028 - D=15
- 43 0901A0319 - D=20,6
- 44 1208A2361
- 46 C0281K00
- 47 C0280K00
- 48 2309A0002
- 49 3110A1658
- 50 311002100 - OR 2093

## C0809A04 - BORING UNIT - 69371\_ALL - ROVER A 03-12-2008

POSITION	DRAWING/COMPONENT	DESCRIPTION
1	1612A0169	BORING HEAD ASSEMBLY
1	1612A0176	BORING HEAD ASSEMBLY
2	260500700	GREASING NIPPLE
9	292100200	BALL HSK F63
10	0913A0113	DISTRIBUTOR
11	0817A0059	BUSHING
12	1713A0008	DISTRIBUTOR
12	C0192K00	DISTRIBUTOR
13	0109DE042A0	MODULE
14	0109DE040B1	MODULE
15	0109DE041B0	MODULE
16	0109DE040B0	MODULE
17	0109DC305A0	COMMAND UNIT
19	0814A1389	PLATE
20	2120A0049	ELECTROMAGNETIC COIL 8W
21	3123A0232	GASKET
22	M0231A00	MOTOR
23	0805A0410	SUPPORT
24	1208A2521	BRACKET
26	C0694A01	SPINDLE
27	C0695A00	SPINDLE
28	C0696A02	SLIDING UNIT
29	C0698A02	SPINDLE
30	C0699A02	SPINDLE
31	C0808A02	MILLING UNIT
32	N0404A00	ELECTROVALVE BH18
32	N0402A00	ELECTROVALVE BH21
33	0808A0031	COVER
34	090123900	PLUG

## C0809A04 - BORING UNIT - 69371\_ALL - ROVER A 03-12-2008

POSITION	DRAWING/COMPONENT	DESCRIPTION
35	0901A0319	PLUG D=20,6
36	C0691A00	GEAR WHEEL
37	1205A0912	SUPPORT
38	N0403A00	ELECTROVALVE
39	1208A2469	PLUG
40	0901A0233	PLUG
41	0901A0176	PLUG
42	0901A0028	PLUG D=15
43	0901A0319	PLUG D=20,6
44	1208A2361	CASING
46	C0281K00	GEAR UNIT
47	C0280K00	GEAR UNIT
48	2309A0002	COIL MECHANICS
49	3110A1658	RING
50	311002100	RING OR 2093

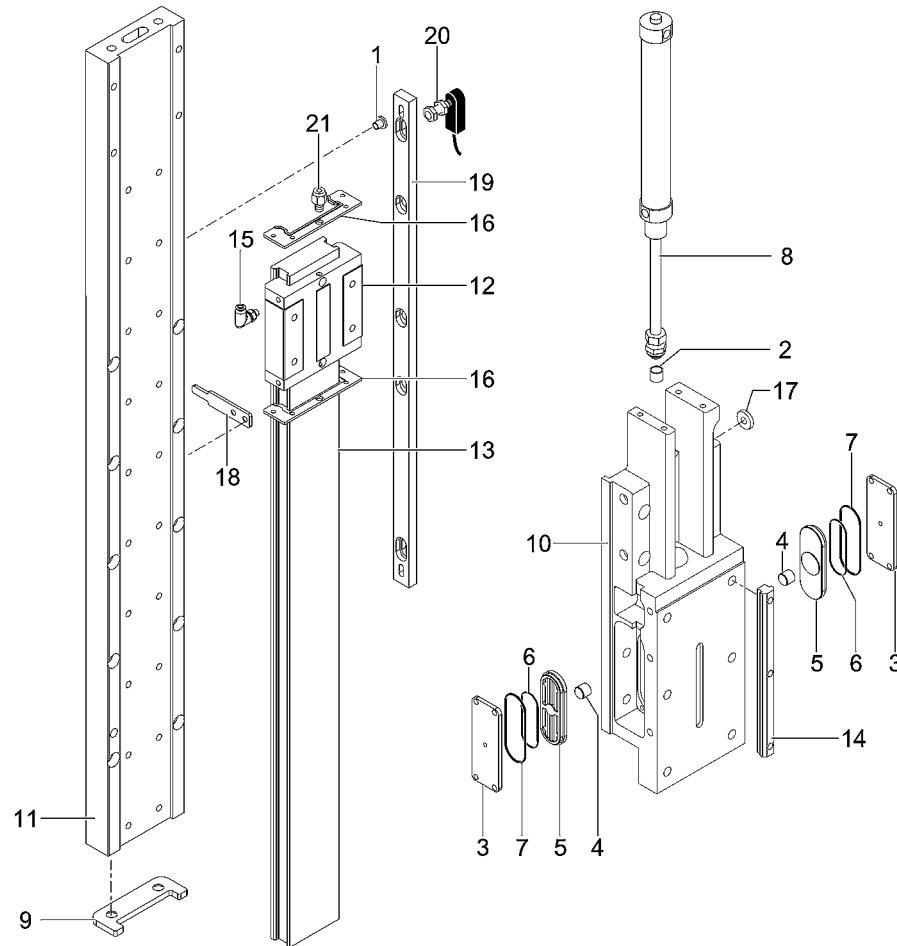


- 1 091302800 - ISO 30
- 2 2914A0050 - L=380 mm H=.
- 3 2914A0084 - 1651-223-20
- 4 1314A0152V
- 5 0814A1478
- 6 260500900
- 7 1314A0164V
- 8 2615A0067
- 9 0801A0380
- 10 3120A0010 - H=25 mm
- 11 1305A0497V
- 12 2420A0955
- 13 M0241A00
- 14 1314A0177V
- 15 1501A0001
- 18 1314A0176V

C0810A02 - PRESSER - 69371\_ALL - ROVER A 03-12-2008

POSITION	DRAWING/COMPONENT	DESCRIPTION
1	091302800	BLOCK ISO 30
2	2914A0050	GUIDE L=380 MM H=25 MM
3	2914A0084	SLIDE BLOCK 1651-223-20
4	1314A0152V	BRACKET
5	0814A1478	PLATE
6	260500900	GREASING NIPPLE
7	1314A0164V	PLATE
8	2615A0067	CONNECTOR
9	0801A0380	RING
10	3120A0010	SCRAPER H=25 MM
11	1305A0497V	SUPPORT
12	2420A0955	CYLINDER
13	M0241A00	SENSOR
14	1314A0177V	PLATE
15	1501A0001	FLANGE
18	1314A0176V	BRACKET



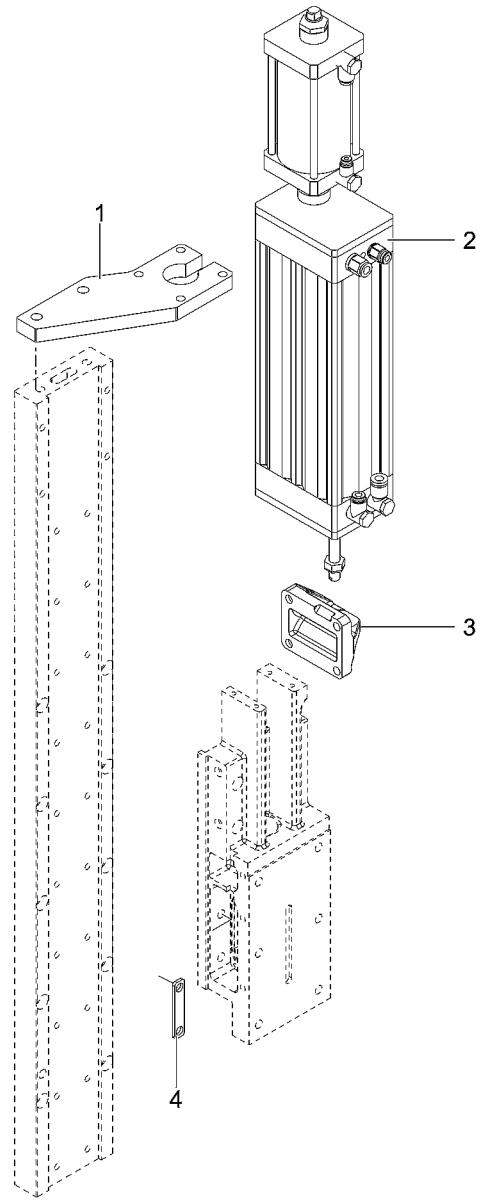


- 1 080662500 - H=23
- 2 291004400 - GLY PG 1012..
- 3 0808A0032
- 4 0920A0002
- 5 0915A0030
- 6 311026600
- 7 311026800 - OR 2250
- 8 2420A0998 - 1260.25.150
- 9 0814A1296
- 10 0911A0416
- 11 0914A0873
- 12 2914A1058
- 13 2914A1057
- 14 0804A0146
- 15 2615A0067
- 16 3120A0016
- 17 080485900 - 18X6,5X3,5
- 18 1214A0889
- 19 0914A0851
- 20 2164A0355
- 21 0806A0325

## C0811A00 - SLIDING UNIT - 69371\_ALL - ROVER A 03-12-2008

POSITION	DRAWING/COMPONENT	DESCRIPTION
1	080662500	SPACER H=23
2	291004400	BUSHING GLY PG 101210F
3	0808A0032	COVER
4	0920A0002	PIN
5	0915A0030	PISTON
6	311026600	SEAL RING
7	311026800	SEAL RING OR 2250
8	2420A0998	CYLINDER 1260.25.150
9	0814A1296	PLATE
10	0911A0416	CARRIAGE
11	0914A0873	PLATE
12	2914A1058	SLIDE BLOCK
13	2914A1057	GUIDE
14	0804A0146	BAR
15	2615A0067	CONNECTOR
16	3120A0016	SCRAPER
17	080485900	WASHER 18X6,5X3,5
18	1214A0889	PLATE
19	0914A0851	BRACKET
20	2164A0355	SENSOR
21	0806A0325	SPACER

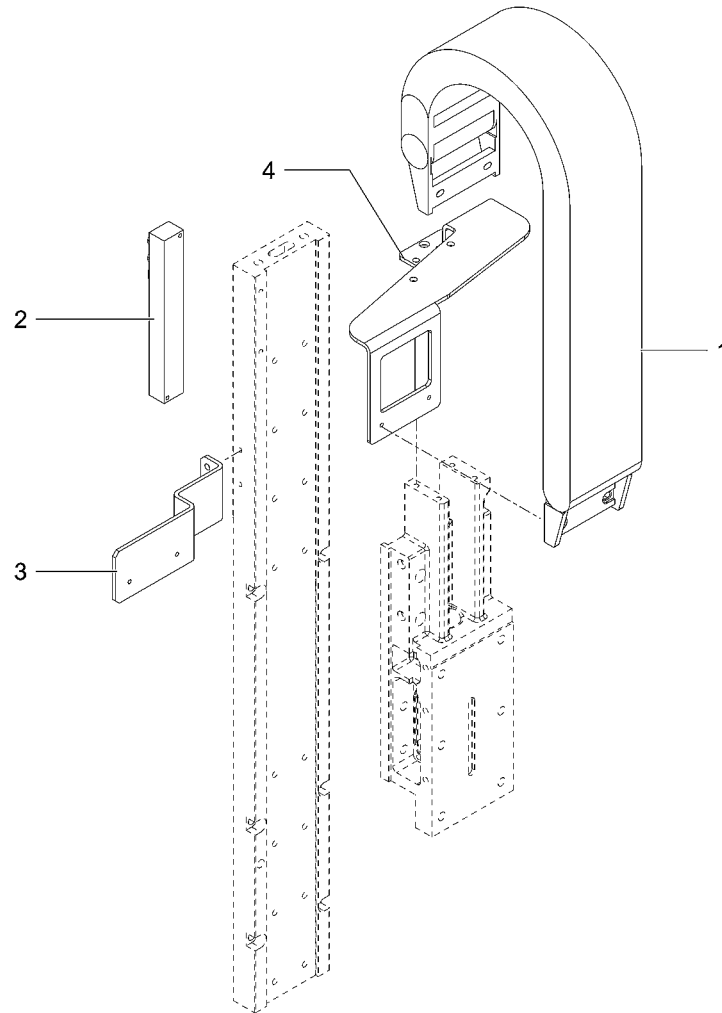
- 1 0814A1479
- 2 2420A1542
- 3 0905A1816
- 4 1214A1323



C0812A00 - SLIDING UNIT - 69371\_ALL - ROVER A 03-12-2008

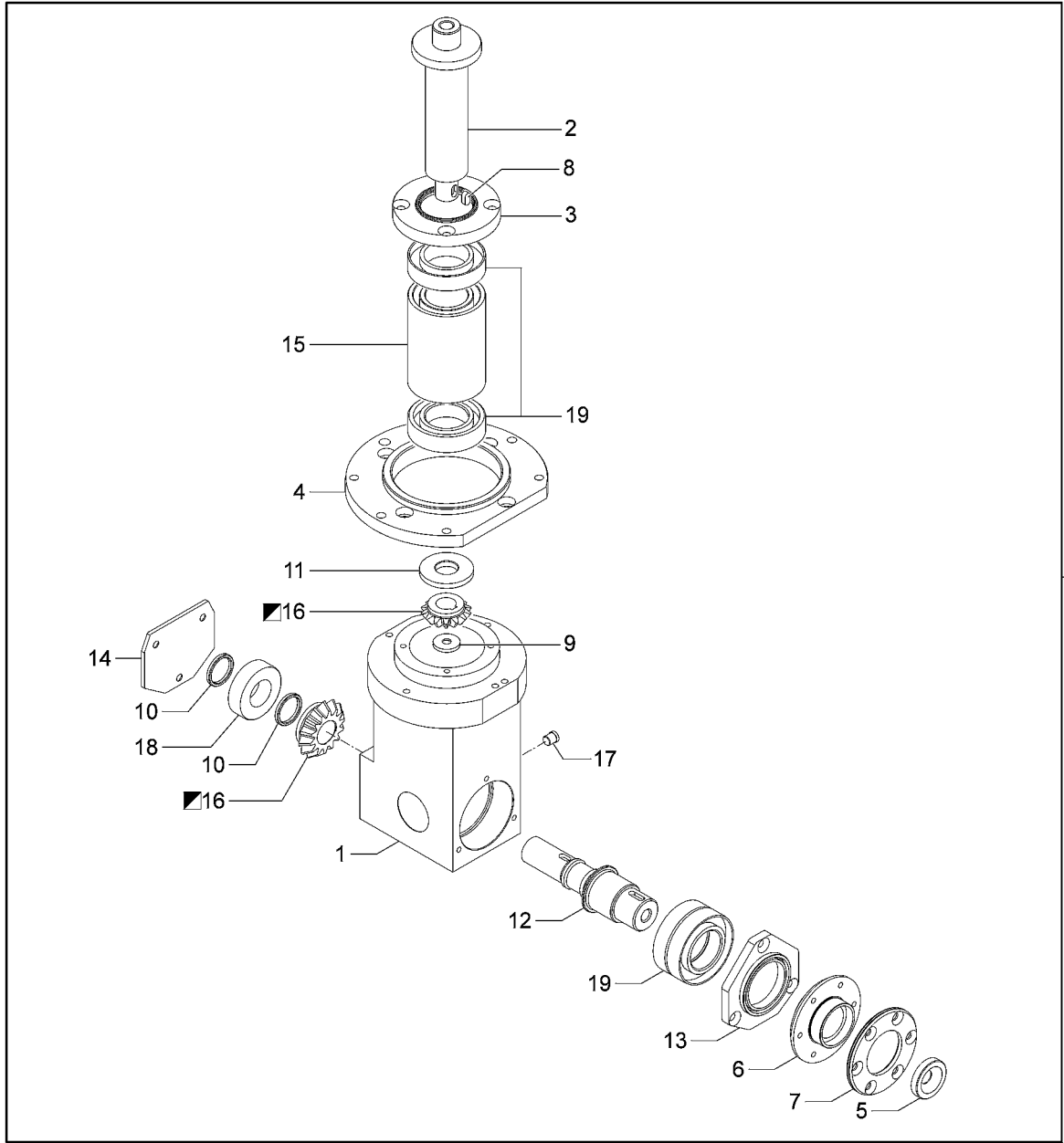
POSITION	DRAWING/COMPONENT	DESCRIPTION
1	0814A1479	PLATE
2	2420A1542	CYLINDER
3	0905A1816	SUPPORT
4	1214A1323	SMALL PLATE

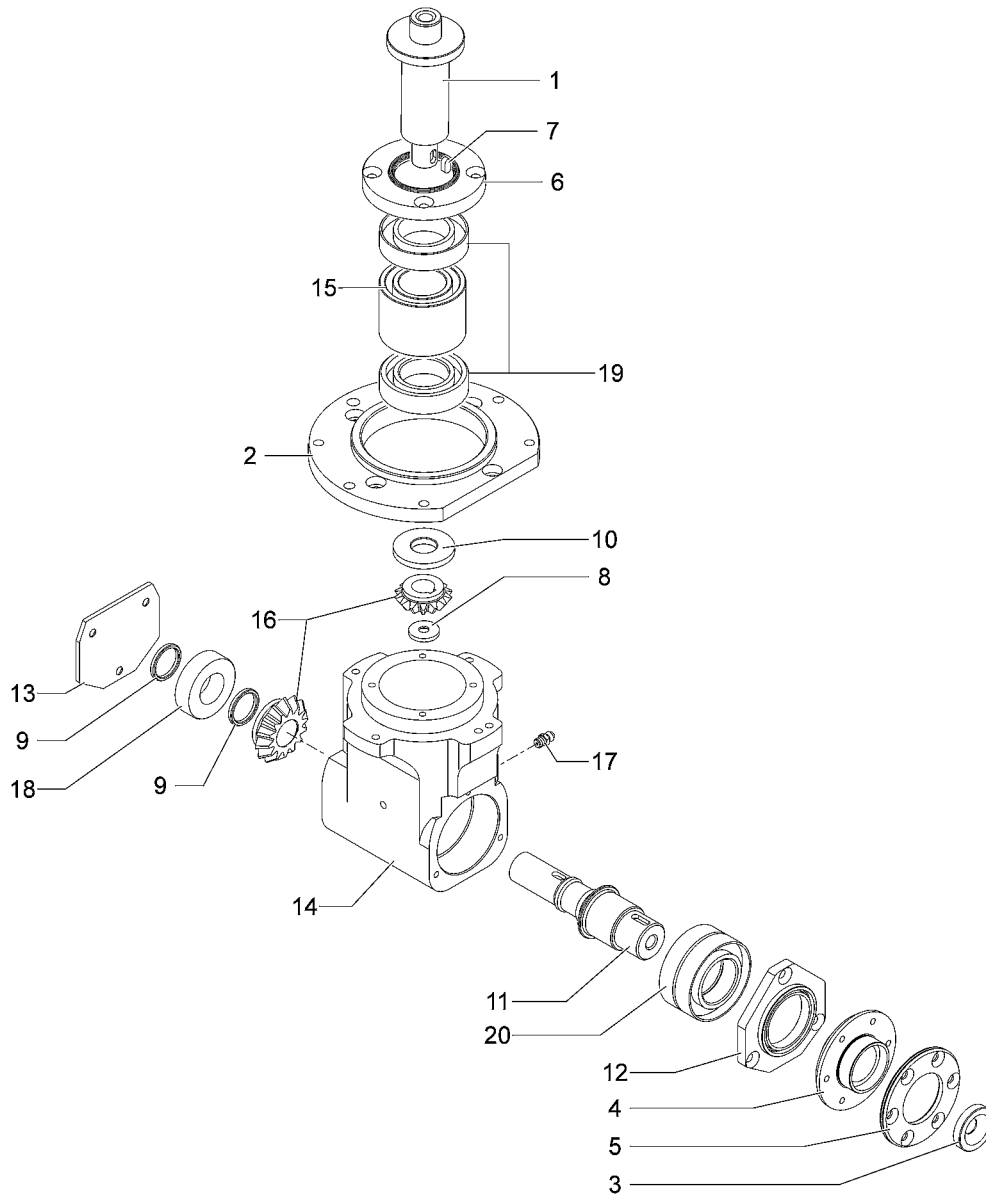
- 1 6415A0361
- 2 0109DC201C0
- 3 1214A1270
- 4 1214A1271



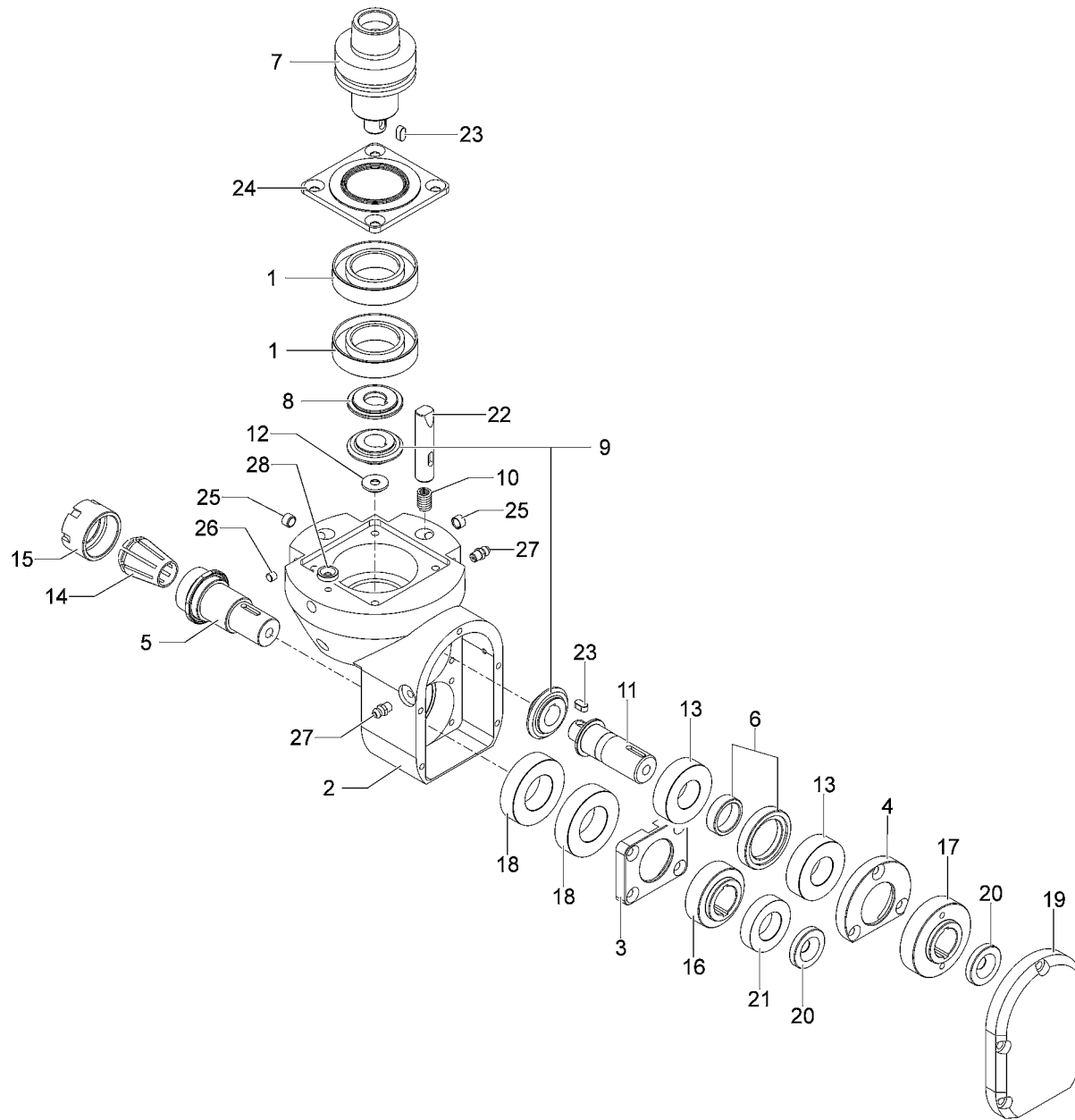
C0813A00 - SLIDING UNIT - 69371\_ALL - ROVER A 03-12-2008

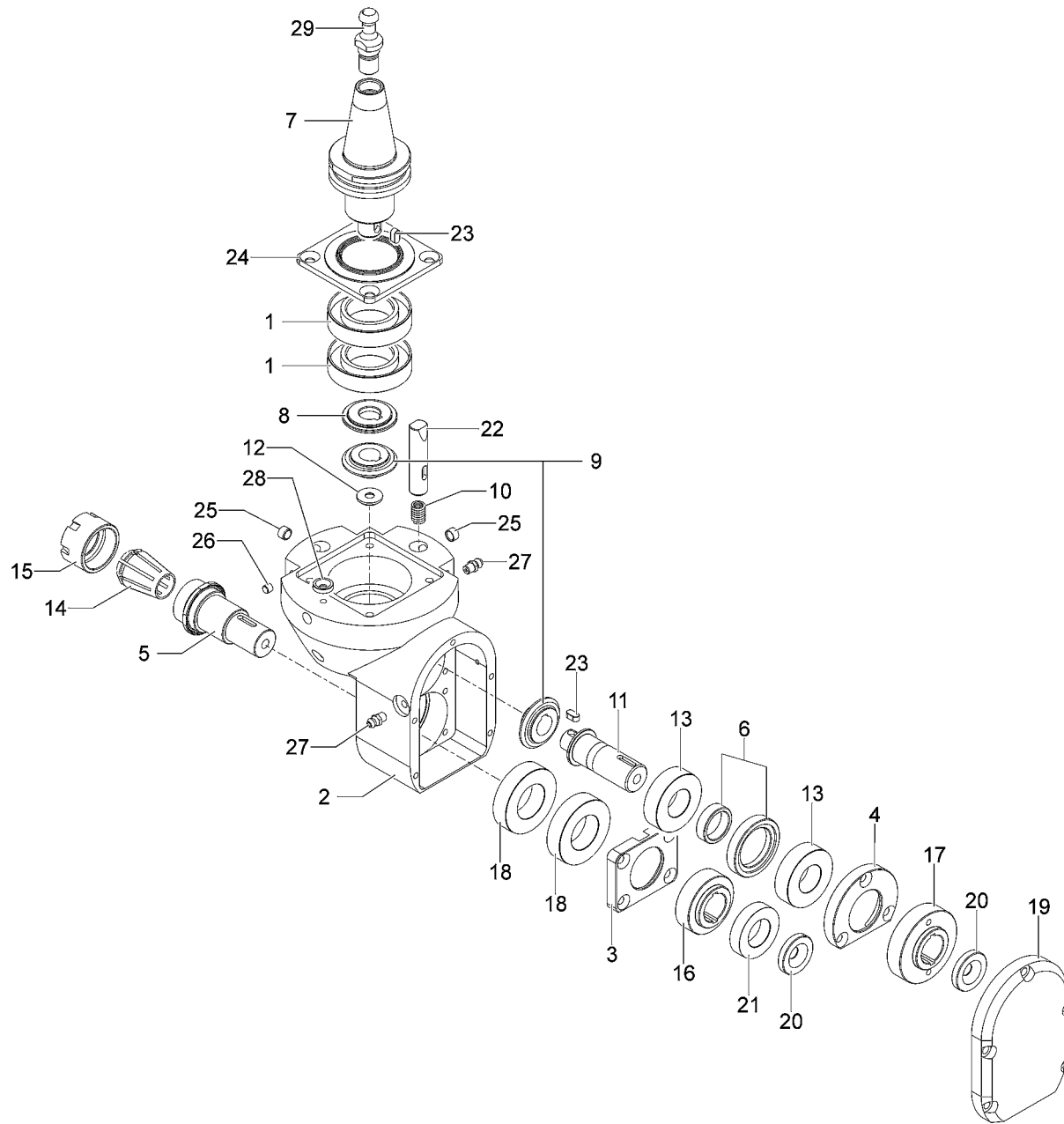
POSITION	DRAWING/COMPONENT	DESCRIPTION
1	6415A0361	CABLE-HOLDER CHAIN
2	0109DC201C0	MODULE
3	1214A1270	SUPPORT
4	1214A1271	PLATE

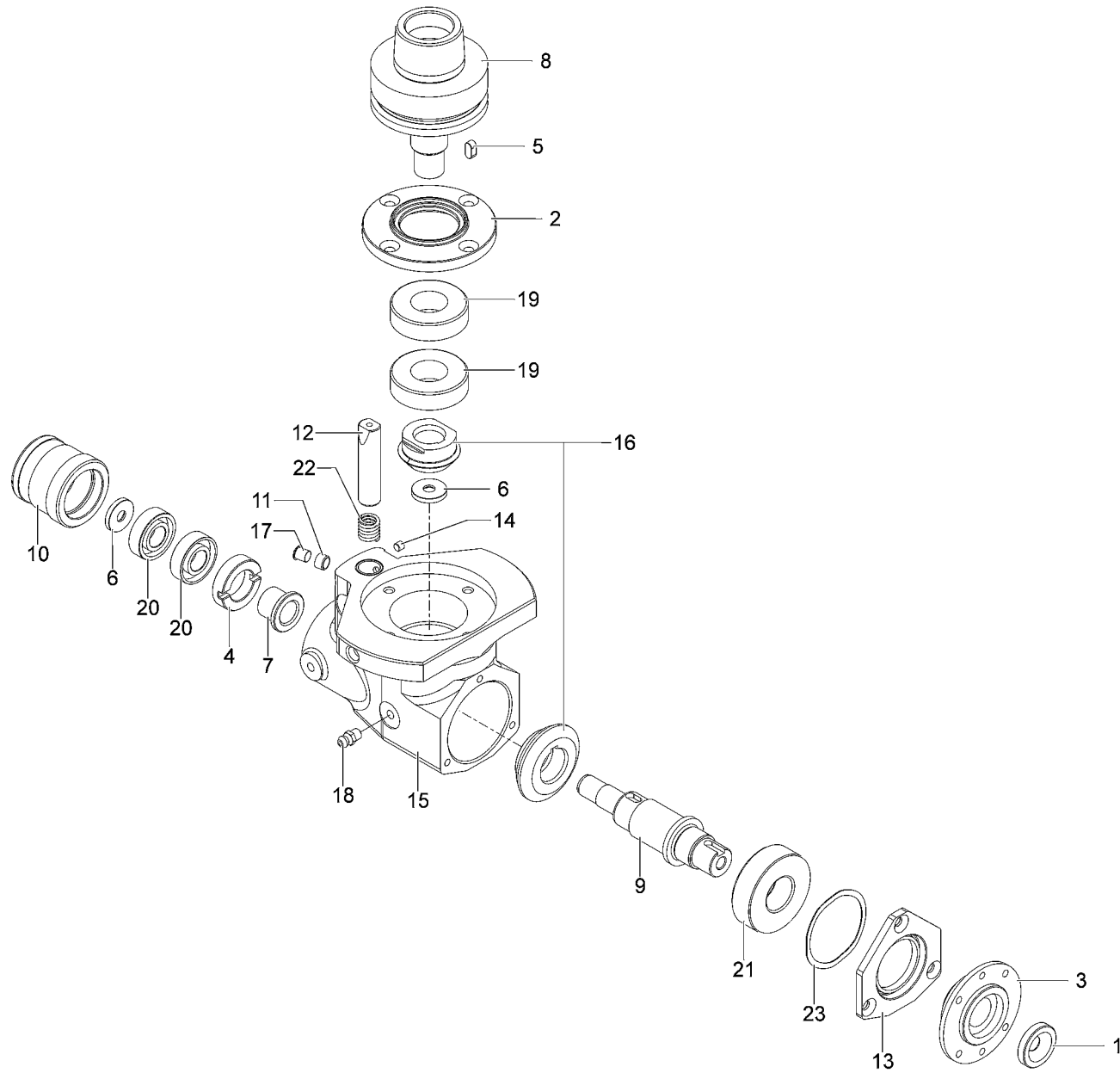


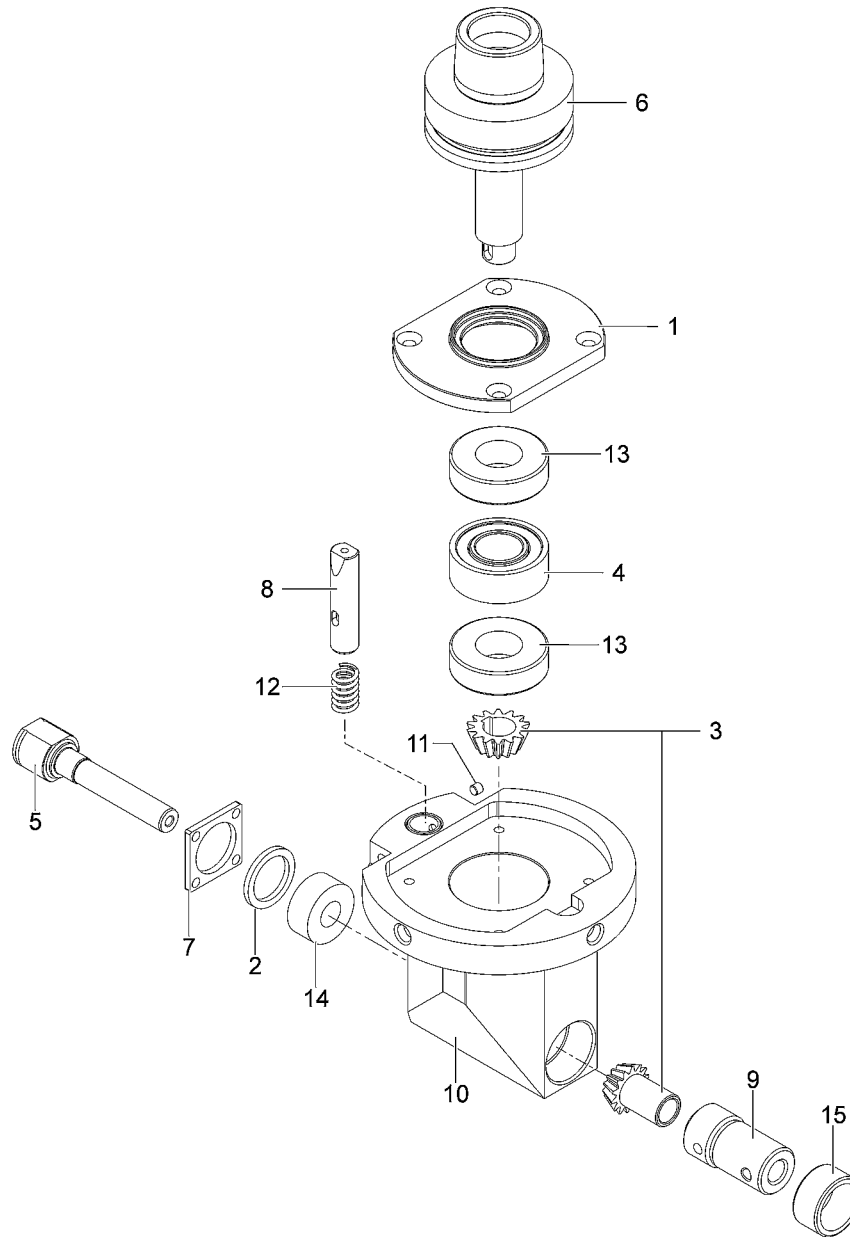


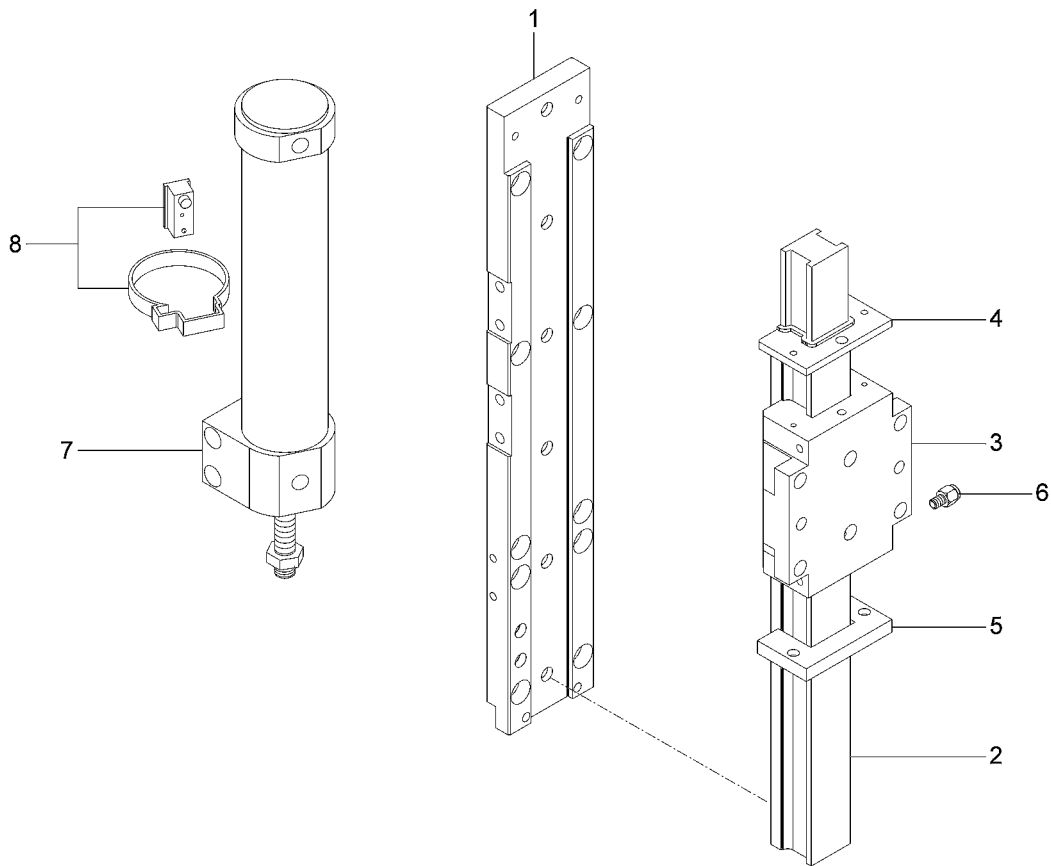








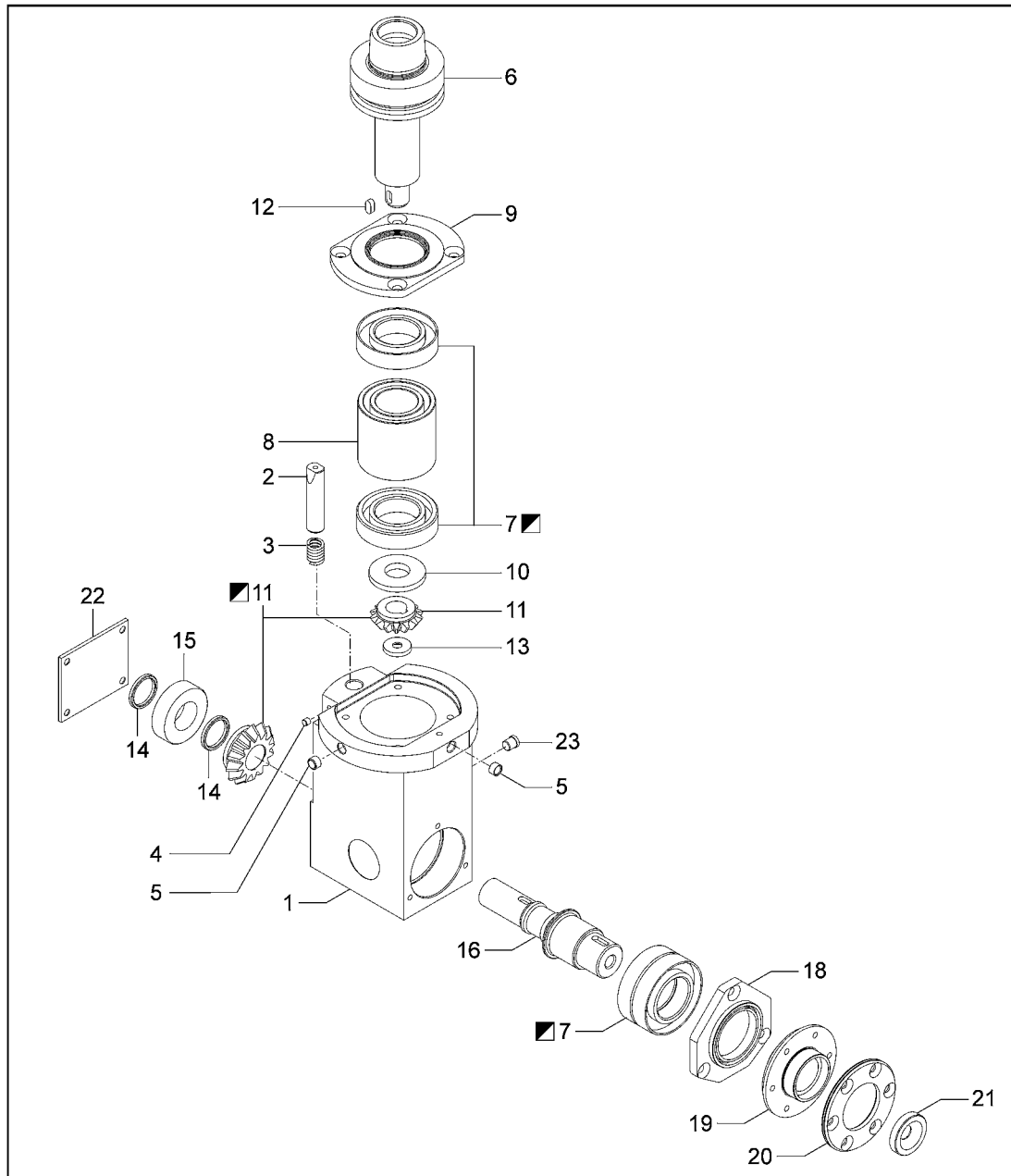




- 1 0814A1380
- 2 2914A1082
- 3 291402800 - 1651-323-20
- 4 312005900 - H=35 mm
- 5 1406A0036
- 6 080662500 - H=23
- 7 2420A1506
- 8 M0251A00

C0843A00 - SLIDING UNIT - 69371\_ALL - ROVER A 03-12-2008

POSITION	DRAWING/COMPONENT	DESCRIPTION
1	0814A1380	PLATE
2	2914A1082	GUIDE
3	291402800	SLIDE BLOCK 1651-323-20
4	312005900	SCRAPER H=35 MM
5	1406A0036	SPACER
6	080662500	SPACER H=23
7	2420A1506	CYLINDER
8	M0251A00	SENSOR

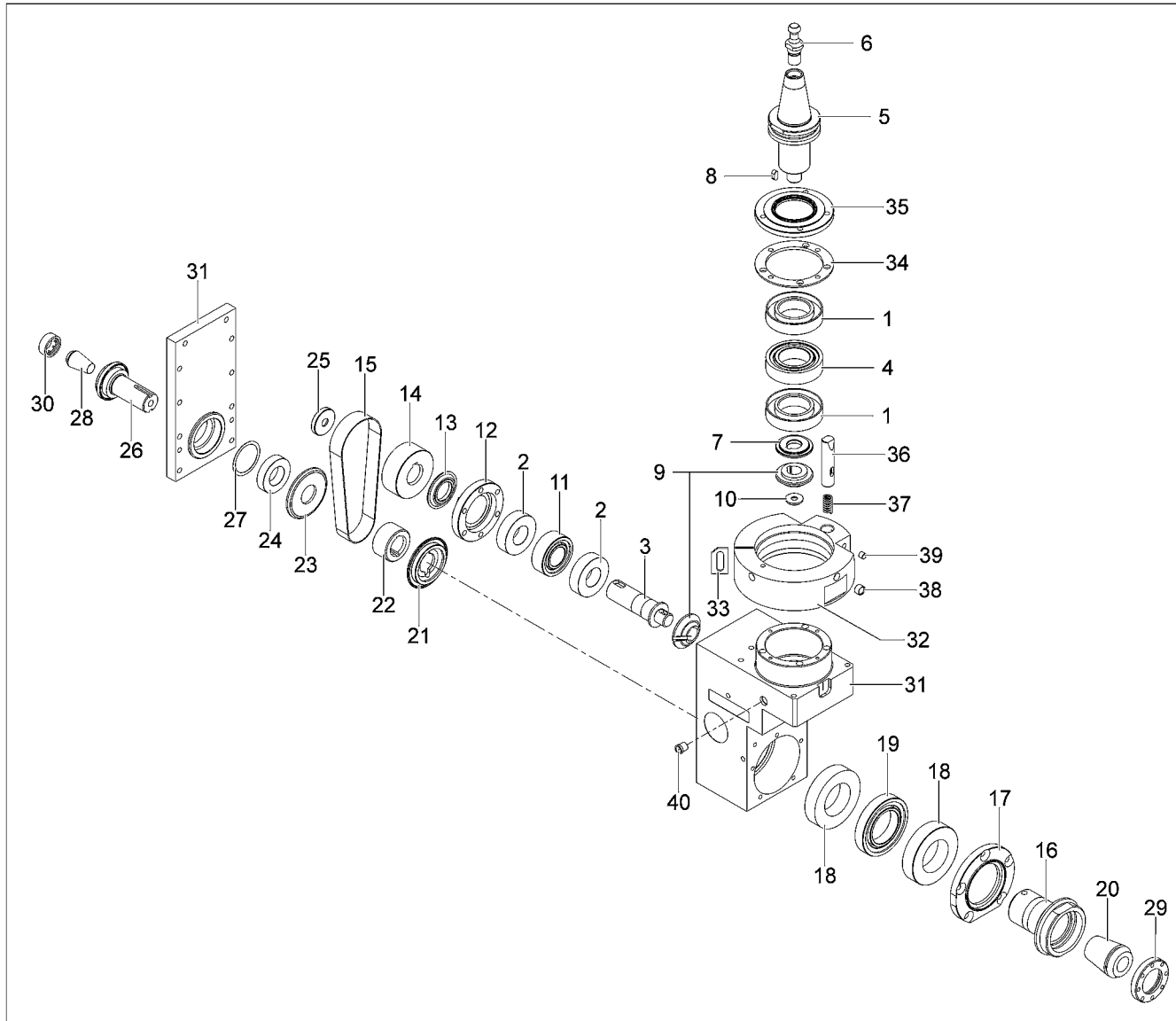


1	B0905B0002
2	0820A0114
3	2801A0008
4	112001000 - D=4,5
5	081718600 - HSK
6	0807A0331
7	2903A0005 - 30-55-13
8	1606A0037
9	0801A0117
10	0806A0213
11	162102501
12	080487200 - 5X4X10
13	0804A0068
14	0806A0284
15	290101000 - 6004-2RS RI..
16	0807A0406
18	0801A0403
19	0801A0402
20	0801A0401
21	0804A0351
22	B0808B0001
23	2605A0077
24	B6354B0006

C0847A00 - AGGREGATE - D=180-270 HSK F63 - 69371\_ALL - ROVER A 03-12-2008

POSITION	DRAWING/COMPONENT	DESCRIPTION
1	B0905B0002	SUPPORT
2	0820A0114	ANTIROTATION PIN
3	2801A0008	SPRING
4	112001000	DOWEL D=4,5
5	081718600	BUSHING HSK
6	0807A0331	SHAFT
7	2903A0005	BEARING 30-55-13
8	1606A0037	SPACER
9	0801A0117	FLANGE
10	0806A0213	SPACER
11	162102501	BEVEL GEAR SET
12	080487200	FEATHER 5X4X10
13	0804A0068	WASHER
14	0806A0284	SPACER
15	290101000	BEARING 6004-2RS RIV-SKF
16	0807A0406	SHAFT
18	0801A0403	FLANGE
19	0801A0402	FLANGE
20	0801A0401	FLANGE
21	0804A0351	WASHER
22	B0808B0001	COVER
23	2605A0077	GREASING NIPPLE
24	B6354B0006	AGGREGATE





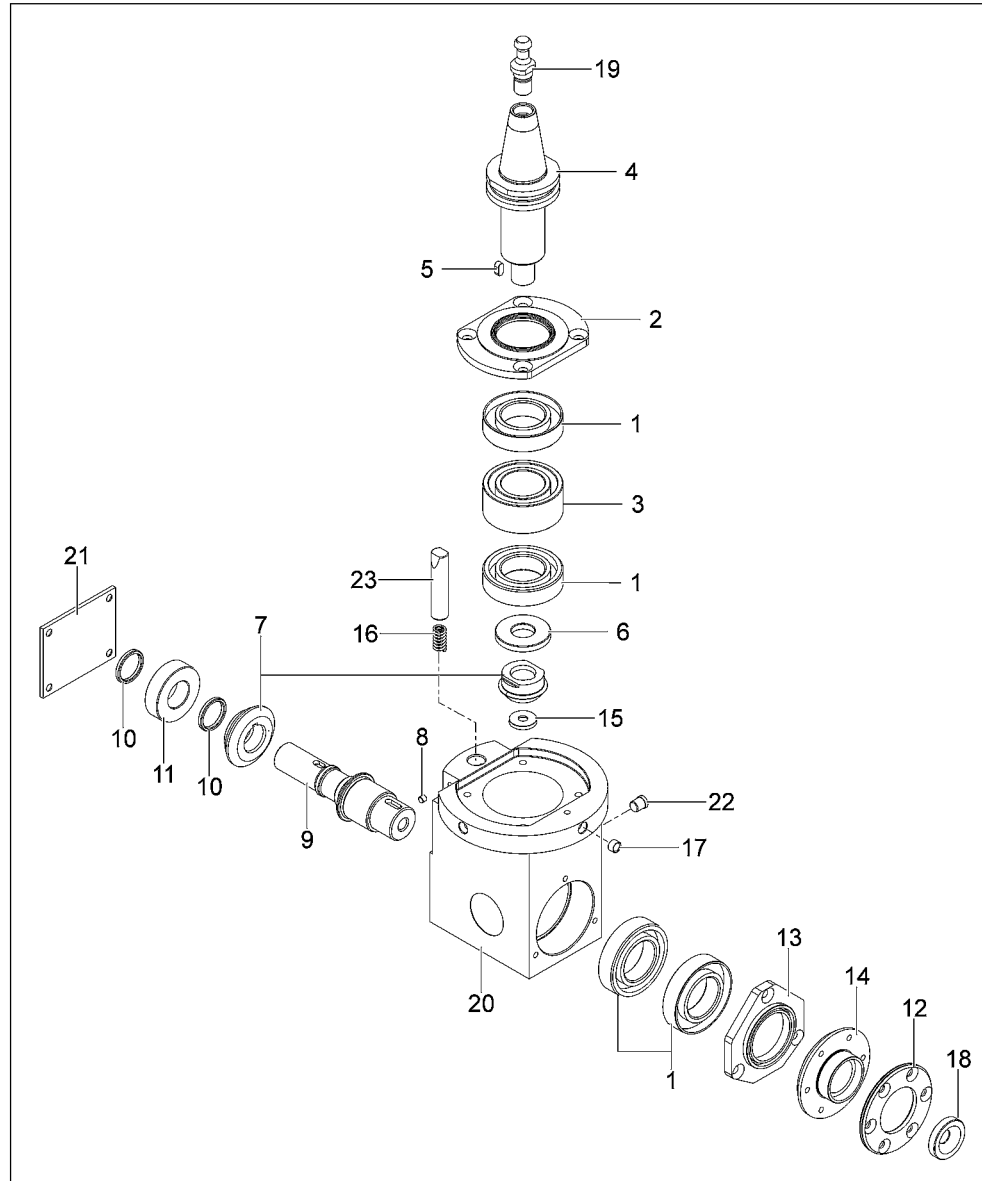
1	2903A0005 - 30-55-13
2	2903A0007 - 20-42-12
3	0807A0440
4	1606A0017
5	0807A0146 - ISO 30
6	0804A0013 - ISO 30
7	0806A0532
8	080487200 - 5X4X10
9	1621A0156
10	0804A0052
11	1606A0065
12	0817A0201
13	0817A0202
14	0922A0198
15	2701A0246
16	0807A0441
17	0801A0451
18	290304400
19	1606A0066
20	340706500 - D=15-16 ERC..
21	0817A0199
22	0922A0199
23	0817A0200
24	2903A0031
25	080483400
26	0807A0443
27	2807A0011
28	3407A0151 - D=10 EX 16
29	0804A0312
30	3407A0215
31	B1705B0001
32	B0901B0001
33	B0806B0003
34	B0801B0002
35	0801A0452
36	0820A0114
37	2801A0008
38	081718600 - HSK
39	112001000 - D=4,5
40	2605A0077
41	B6314B0007

C0851A00 - AGGREGATE - ISO 30 - 69371\_ALL - ROVER A 03-12-2008

POSITION	DRAWING/COMPONENT	DESCRIPTION
1	2903A0005	BEARING 30-55-13
2	2903A0007	BEARING 20-42-12
3	0807A0440	SHAFT
4	1606A0017	SPACER
5	0807A0146	SHAFT ISO 30
6	0804A0013	TIE ROD ISO 30
7	0806A0532	SPACER
8	080487200	FEATHER 5X4X10
9	1621A0156	BEVEL GEAR SET
10	0804A0052	WASHER
11	1606A0065	SPACER
12	0817A0201	FLANGE
13	0817A0202	BUSHING
14	0922A0198	PULLEY
15	2701A0246	BELT
16	0807A0441	SHAFT
17	0801A0451	FLANGE
18	290304400	BEARING
19	1606A0066	SPACER
20	340706500	ELASTIC COLLET D=15-16 ERC 32
21	0817A0199	BUSHING
22	0922A0199	PULLEY
23	0817A0200	BUSHING
24	2903A0031	BEARING
25	080483400	WASHER
26	0807A0443	SHAFT
27	2807A0011	RING
28	3407A0151	ELASTIC COLLET D=10 EX 16
29	0804A0312	RING NUT

C0851A00 - AGGREGATE - ISO 30 - 69371\_ALL - ROVER A 03-12-2008

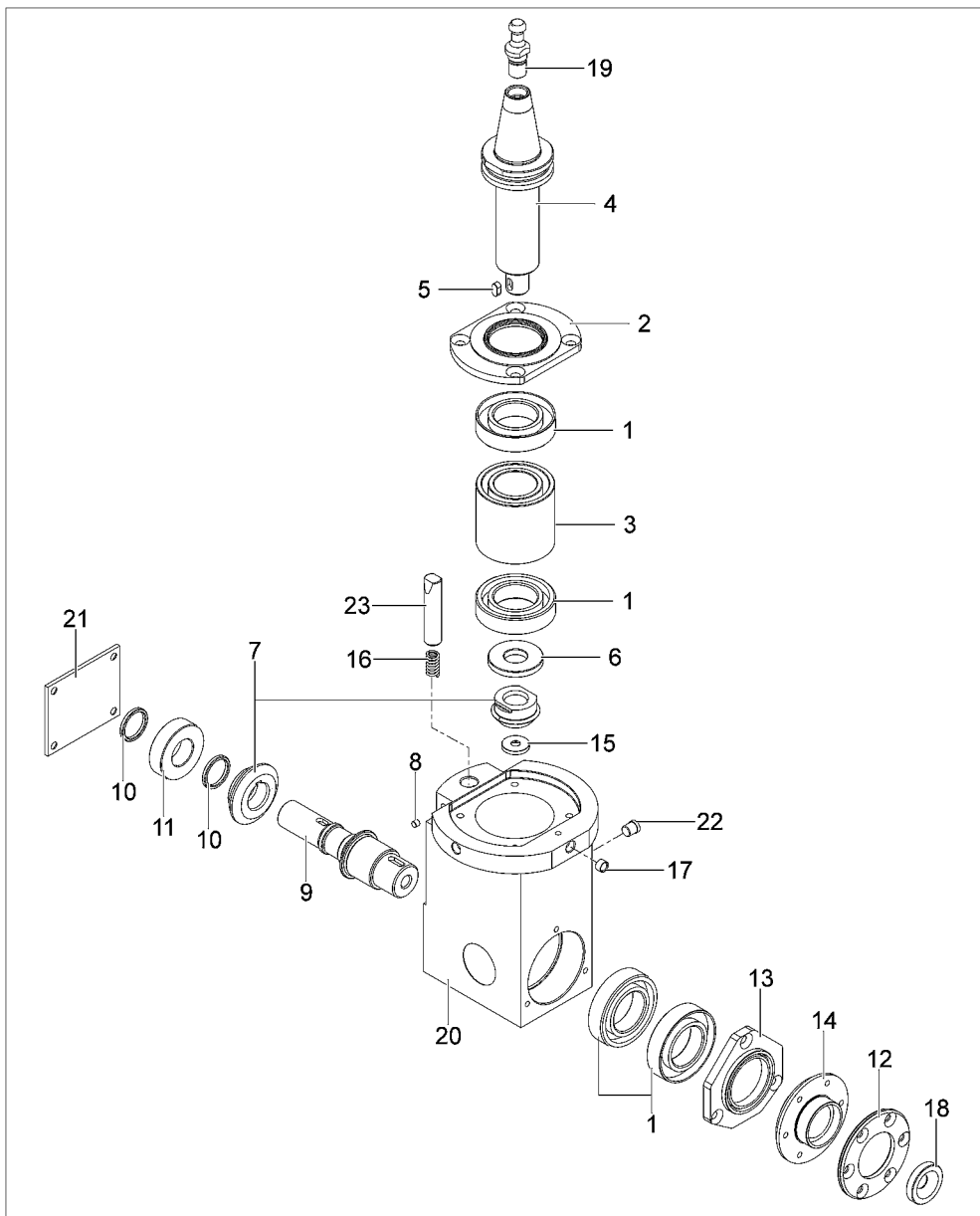
POSITION	DRAWING/COMPONENT	DESCRIPTION
30	3407A0215	RING NUT
31	B1705B0001	SUPPORT
32	B0901B0001	FLANGE
33	B0806B0003	SPACER
34	B0801B0002	FLANGE
35	0801A0452	FLANGE
36	0820A0114	ANTIROTATION PIN
37	2801A0008	SPRING
38	081718600	BUSHING HSK
39	112001000	DOWEL D=4,5
40	2605A0077	GREASING NIPPLE
41	B6314B0007	AGGREGATE



- 1 2903A0005 - 30-55-13
- 2 0801A0117
- 3 1606A0023
- 4 0807A0190 - D.180 mm
- 5 080487200 - 5X4X10
- 6 0806A0213
- 7 162102501
- 8 112001000 - D=4,5
- 9 0807A0406
- 10 0806A0284
- 11 290101000 - 6004-2RS RI..
- 12 0801A0404
- 13 0801A0403
- 14 0801A0313
- 15 0804A0068
- 16 2801A0008
- 17 081718600 - HSK
- 18 0804A0351
- 19 0804A0013 - ISO 30
- 20 B0905B0001
- 21 B0808B0001
- 22 2605A0077
- 23 0820A0114
- 24 B6354B0001

C0853A00 - AGGREGATE - D=120-215 ISO 30 - 69371\_ALL - ROVER A 03-12-2008

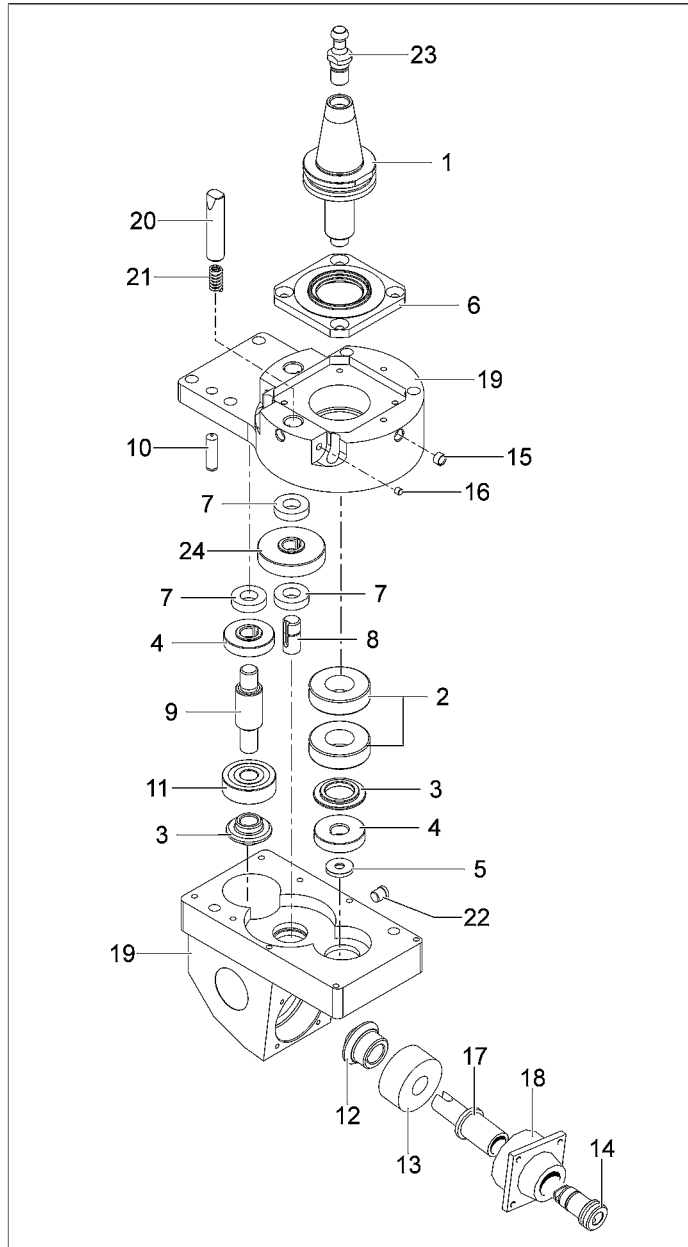
POSITION	DRAWING/COMPONENT	DESCRIPTION
1	2903A0005	BEARING 30-55-13
2	0801A0117	FLANGE
3	1606A0023	SPACER
4	0807A0190	SHAFT D.180 MM
5	080487200	FEATHER 5X4X10
6	0806A0213	SPACER
7	162102501	BEVEL GEAR SET
8	112001000	DOWEL D=4,5
9	0807A0406	SHAFT
10	0806A0284	SPACER
11	290101000	BEARING 6004-2RS RIV-SKF
12	0801A0404	FLANGE
13	0801A0403	FLANGE
14	0801A0313	FLANGE
15	0804A0068	WASHER
16	2801A0008	SPRING
17	081718600	BUSHING HSK
18	0804A0351	WASHER
19	0804A0013	TIE ROD ISO 30
20	B0905B0001	SUPPORT
21	B0808B0001	COVER
22	2605A0077	GREASING NIPPLE
23	0820A0114	ANTIROTATION PIN
24	B6354B0001	AGGREGATE



1	2903A0005 - 30-55-13
2	0801A0117
3	1606A0037
4	0807A0444
5	080487200 - 5X4X10
6	0806A0213
7	162102501
8	112001000 - D=4,5
9	0807A0406
10	0806A0284
11	290101000 - 6004-2RS RI..
12	0801A0401
13	0801A0403
14	0801A0402
15	0804A0068
16	2801A0008
17	081718600 - HSK
18	0804A0351
19	0804A0013 - ISO 30
20	B0905B0002
21	B0808B0001
22	2605A0077
23	0820A0114
24	B6354B0002

C0854A00 - AGGREGATE - D=180-270 ISO 30 - 69371\_ALL - ROVER A 03-12-2008

POSITION	DRAWING/COMPONENT	DESCRIPTION
1	2903A0005	BEARING 30-55-13
2	0801A0117	FLANGE
3	1606A0037	SPACER
4	0807A0444	SHAFT
5	080487200	FEATHER 5X4X10
6	0806A0213	SPACER
7	162102501	BEVEL GEAR SET
8	112001000	DOWEL D=4,5
9	0807A0406	SHAFT
10	0806A0284	SPACER
11	290101000	BEARING 6004-2RS RIV-SKF
12	0801A0401	FLANGE
13	0801A0403	FLANGE
14	0801A0402	FLANGE
15	0804A0068	WASHER
16	2801A0008	SPRING
17	081718600	BUSHING HSK
18	0804A0351	WASHER
19	0804A0013	TIE ROD ISO 30
20	B0905B0002	SUPPORT
21	B0808B0001	COVER
22	2605A0077	GREASING NIPPLE
23	0820A0114	ANTIROTATION PIN
24	B6354B0002	AGGREGATE

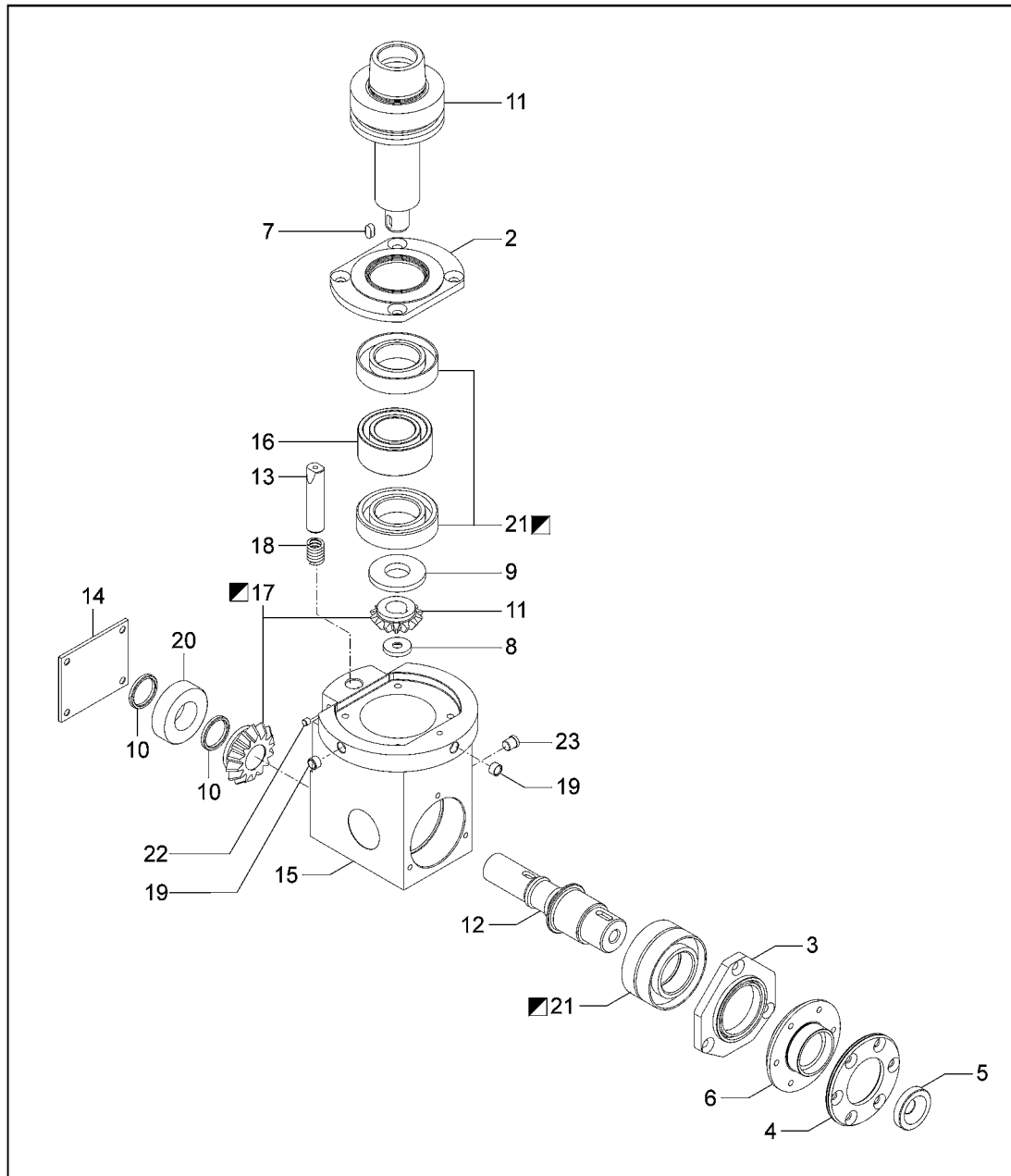


- 1 0807A0177
- 2 290304800 - 20-42-12
- 3 0801A0110
- 4 082100202
- 5 0804A0068
- 6 0801A0154
- 7 290107700
- 8 0820A0133
- 9 0807A0178
- 10 082001101 - 8X28
- 11 2901A0010
- 12 1621A0028
- 13 290401800
- 14 081704702 - SX
- 15 081718600 - HSK
- 16 112001000 - D=4,5
- 17 000109010
- 18 000109009
- 19 B1705B0002
- 20 0820A0114
- 21 2801A0008
- 22 2605A0077
- 23 0804A0013 - ISO 30
- 24 000101463
- 25 B6314B0004



C0855A00 - AGGREGATE - ISO 30 - 69371\_ALL - ROVER A 03-12-2008

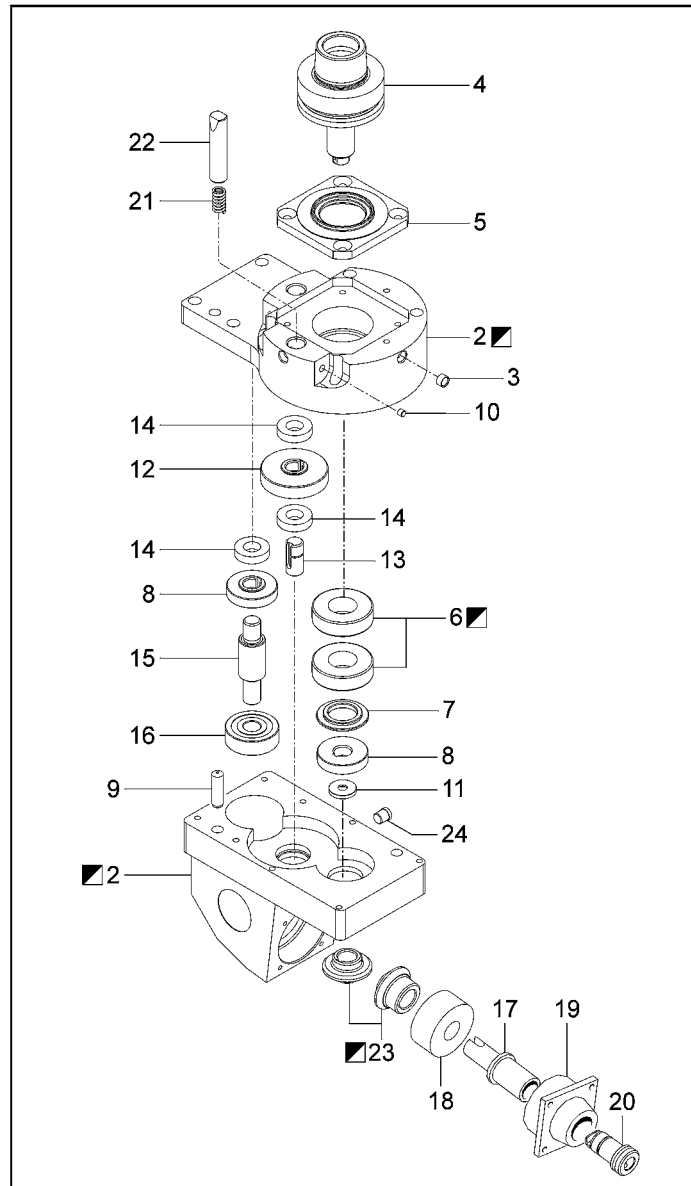
POSITION	DRAWING/COMPONENT	DESCRIPTION
1	0807A0177	SHAFT
2	290304800	BEARING 20-42-12
3	0801A0110	FLANGE
4	082100202	GEAR
5	0804A0068	WASHER
6	0801A0154	FLANGE
7	290107700	BEARING
8	0820A0133	PIN
9	0807A0178	SHAFT
10	082001101	DOWEL 8X28
11	2901A0010	BEARING
12	1621A0028	GEAR WHEEL
13	290401800	BEARING
14	081704702	BUSH SX
15	081718600	BUSHING HSK
16	112001000	DOWEL D=4,5
17	000109010	SPINDLE
18	000109009	FLANGE
19	B1705B0002	SUPPORT
20	0820A0114	ANTIROTATION PIN
21	2801A0008	SPRING
22	2605A0077	GREASING NIPPLE
23	0804A0013	TIE ROD ISO 30
24	000101463	GEAR
25	B6314B0004	AGGREGATE



- 1 B6354B0005
- 2 0801A0117
- 3 0801A0403
- 4 0801A0404
- 5 0804A0351
- 6 0801A0313
- 7 080487200 - 5X4X10
- 8 0804A0068
- 9 0806A0213
- 10 0806A0284
- 11 0807A0192 - HSK F63
- 12 0807A0406
- 13 0820A0114
- 14 B0808B0001
- 15 B0905B0001
- 16 1606A0023
- 17 162102501
- 18 2801A0008
- 19 081718600 - HSK
- 20 290101000 - 6004-2RS RI..
- 21 2903A0005 - 30-55-13
- 22 112001000 - D=4,5
- 23 2605A0077

C0859A00 - AGGREGATE - D=120-215 HSK F63 - 69371\_ALL - ROVER A 03-12-2008

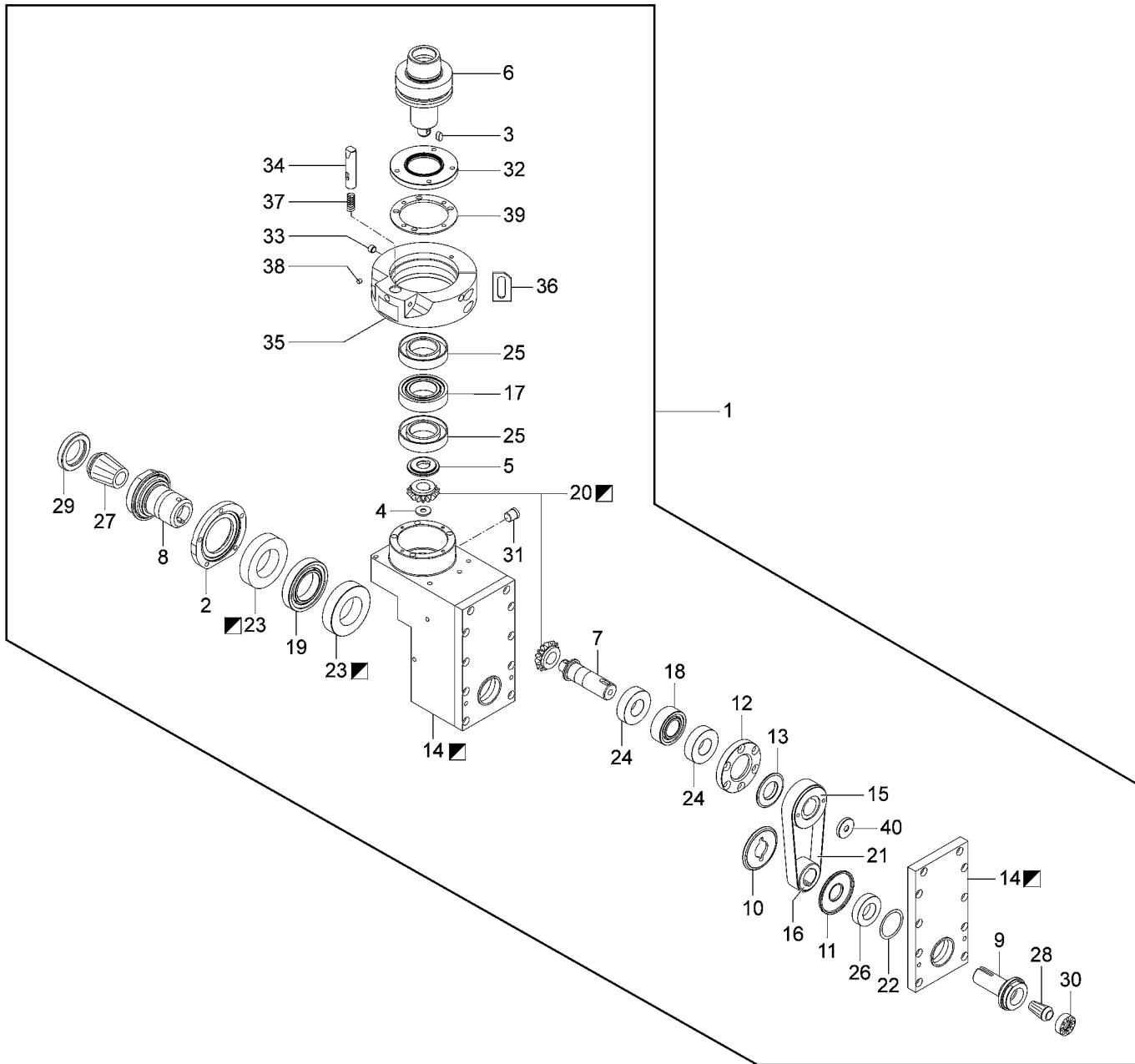
POSITION	DRAWING/COMPONENT	DESCRIPTION
1	B6354B0005	AGGREGATE
2	0801A0117	FLANGE
3	0801A0403	FLANGE
4	0801A0404	FLANGE
5	0804A0351	WASHER
6	0801A0313	FLANGE
7	080487200	FEATHER 5X4X10
8	0804A0068	WASHER
9	0806A0213	SPACER
10	0806A0284	SPACER
11	0807A0192	SHAFT HSK F63
12	0807A0406	SHAFT
13	0820A0114	ANTIROTATION PIN
14	B0808B0001	COVER
15	B0905B0001	SUPPORT
16	1606A0023	SPACER
17	162102501	BEVEL GEAR SET
18	2801A0008	SPRING
19	081718600	BUSHING HSK
20	290101000	BEARING 6004-2RS RIV-SKF
21	2903A0005	BEARING 30-55-13
22	112001000	DOWEL D=4,5
23	2605A0077	GREASING NIPPLE



- 1 B6314B0003
- 2 B1705B0002
- 3 081718600 - HSK
- 4 0807A0213
- 5 0801A0154
- 6 290304800 - 20-42-12
- 7 0801A0110
- 8 082100202
- 9 082001101 - 8X28
- 10 112001000 - D=4,5
- 11 0804A0068
- 12 000101463
- 13 0820A0133
- 14 290107700
- 15 0807A0178
- 16 2901A0010
- 17 000109010
- 18 290401800
- 19 000109009
- 20 081704702 - SX
- 21 2801A0008
- 22 0820A0114
- 23 1621A0028
- 24 2605A0077

C0860A00 - AGGREGATE - HSK F63 - 69371\_ALL - ROVER A 03-12-2008

POSITION	DRAWING/COMPONENT	DESCRIPTION
1	B6314B0003	AGGREGATE
2	B1705B0002	SUPPORT
3	081718600	BUSHING HSK
4	0807A0213	SHAFT
5	0801A0154	FLANGE
6	290304800	BEARING 20-42-12
7	0801A0110	FLANGE
8	082100202	GEAR
9	082001101	DOWEL 8X28
10	112001000	DOWEL D=4,5
11	0804A0068	WASHER
12	000101463	GEAR
13	0820A0133	PIN
14	290107700	BEARING
15	0807A0178	SHAFT
16	2901A0010	BEARING
17	000109010	SPINDLE
18	290401800	BEARING
19	000109009	FLANGE
20	081704702	BUSH SX
21	2801A0008	SPRING
22	0820A0114	ANTIROTATION PIN
23	1621A0028	GEAR WHEEL
24	2605A0077	GREASING NIPPLE



- |    |                           |
|----|---------------------------|
| 1  | B6314B0008                |
| 2  | 0801A0451                 |
| 3  | 080487200 - 5X4X10        |
| 4  | 0804A0052                 |
| 5  | 0806A0532                 |
| 6  | 0807A0147 - HSK F63       |
| 7  | 0807A0440                 |
| 8  | 0807A0441                 |
| 9  | 0807A0443                 |
| 10 | 0817A0199                 |
| 11 | 0817A0200                 |
| 12 | 0817A0201                 |
| 13 | 0817A0202                 |
| 14 | B1705B0001                |
| 15 | 0922A0198                 |
| 16 | 0922A0199                 |
| 17 | 1606A0017                 |
| 18 | 1606A0065                 |
| 19 | 1606A0066                 |
| 20 | 1621A0156                 |
| 21 | 2701A0246                 |
| 22 | 2807A0011                 |
| 23 | 290304400                 |
| 24 | 2903A0007 - 20-42-12      |
| 25 | 2903A0005 - 30-55-13      |
| 26 | 2903A0031                 |
| 27 | 340706500 - D=15-16 ERC.. |
| 28 | 3407A0151 - D=10 EX 16    |
| 29 | 0804A0312                 |
| 30 | 3407A0215                 |
| 31 | 2605A0077                 |
| 32 | 0801A0452                 |
| 33 | 081718600 - HSK           |
| 34 | 0820A0114                 |
| 35 | B0901B0001                |
| 36 | B0806B0003                |
| 37 | 2801A0008                 |
| 38 | 112001000 - D=4,5         |
| 39 | B0801B0002                |
| 40 | 080483400                 |

C0861A00 - AGGREGATE - HSK F63 - 69371\_ALL - ROVER A 03-12-2008

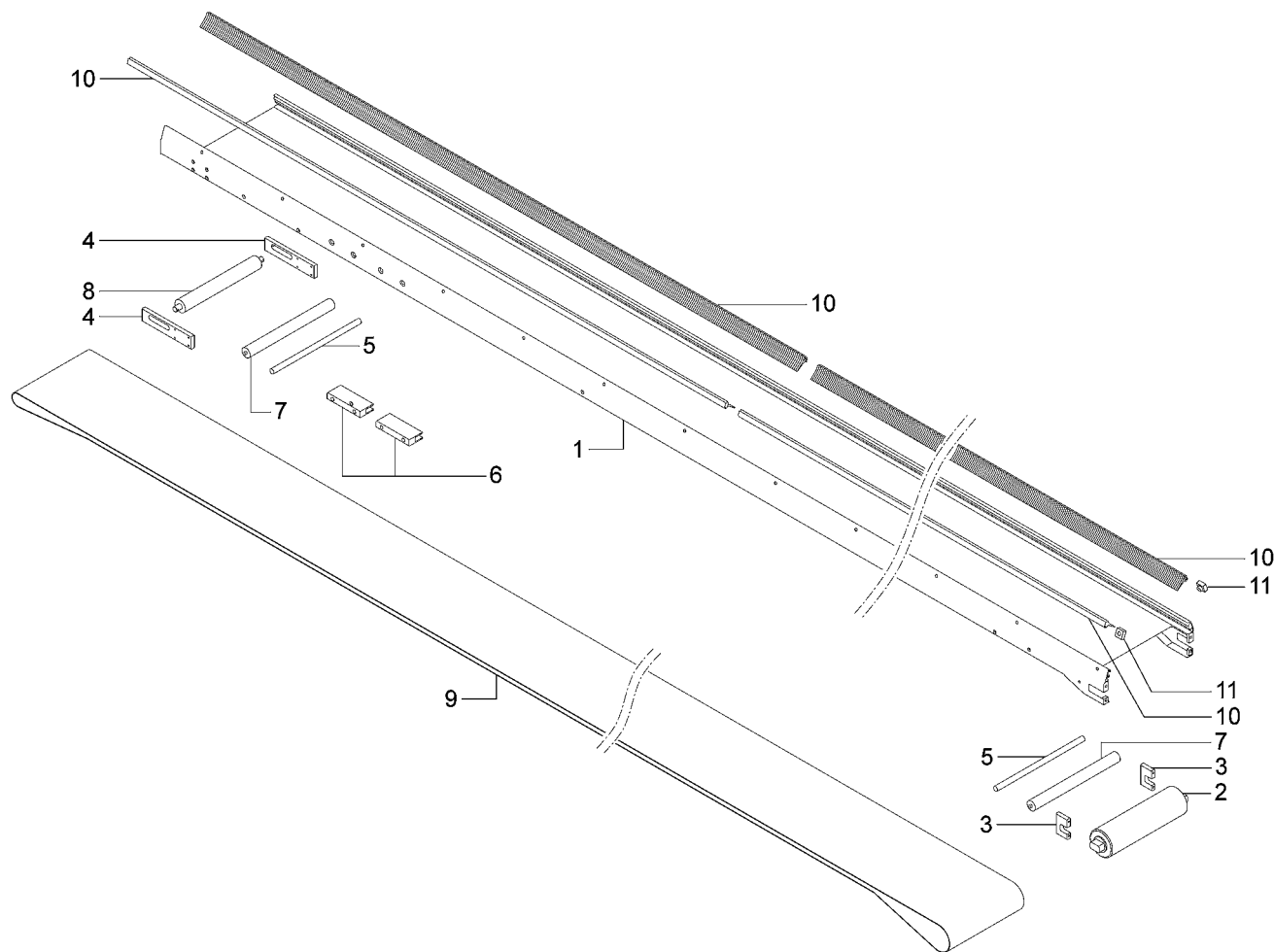
POSITION	DRAWING/COMPONENT	DESCRIPTION
1	B6314B0008	AGGREGATE
2	0801A0451	FLANGE
3	080487200	FEATHER 5X4X10
4	0804A0052	WASHER
5	0806A0532	SPACER
6	0807A0147	SHAFT HSK F63
7	0807A0440	SHAFT
8	0807A0441	SHAFT
9	0807A0443	SHAFT
10	0817A0199	BUSHING
11	0817A0200	BUSHING
12	0817A0201	FLANGE
13	0817A0202	BUSHING
14	B1705B0001	SUPPORT
15	0922A0198	PULLEY
16	0922A0199	PULLEY
17	1606A0017	SPACER
18	1606A0065	SPACER
19	1606A0066	SPACER
20	1621A0156	BEVEL GEAR SET
21	2701A0246	BELT
22	2807A0011	RING
23	290304400	BEARING
24	2903A0007	BEARING 20-42-12
25	2903A0005	BEARING 30-55-13
26	2903A0031	BEARING
27	340706500	ELASTIC COLLET D=15-16 ERC 32
28	3407A0151	ELASTIC COLLET D=10 EX 16
29	0804A0312	RING NUT

C0861A00 - AGGREGATE - HSK F63 - 69371\_ALL - ROVER A 03-12-2008

POSITION	DRAWING/COMPONENT	DESCRIPTION
30	3407A0215	RING NUT
31	2605A0077	GREASING NIPPLE
32	0801A0452	FLANGE
33	081718600	BUSHING HSK
34	0820A0114	ANTIROTATION PIN
35	B0901B0001	FLANGE
36	B0806B0003	SPACER
37	2801A0008	SPRING
38	112001000	DOWEL D=4,5
39	B0801B0002	FLANGE
40	080483400	WASHER



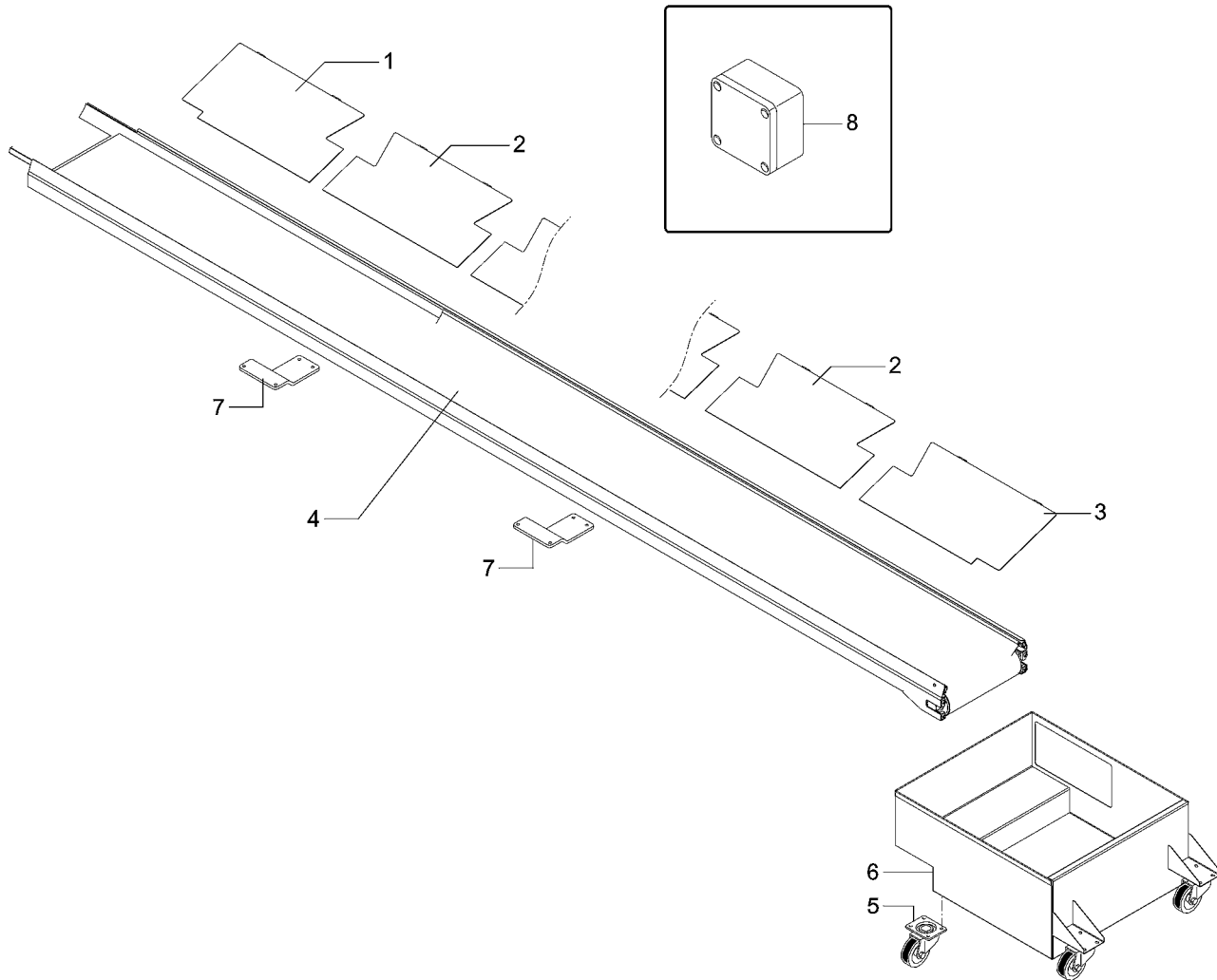
- 1 1203A0188
- 2 2201A0723
- 3 G0814B0329
- 4 0814A0977
- 5 0906A0240
- 6 1411A0044
- 7 2922A0070
- 8 2922A0071
- 9 2705A0584
- 10 1408A0333 - L=2190
- 11 0804A0038



D0149A03 - BELT - 69371\_ALL - ROVER A 03-12-2008

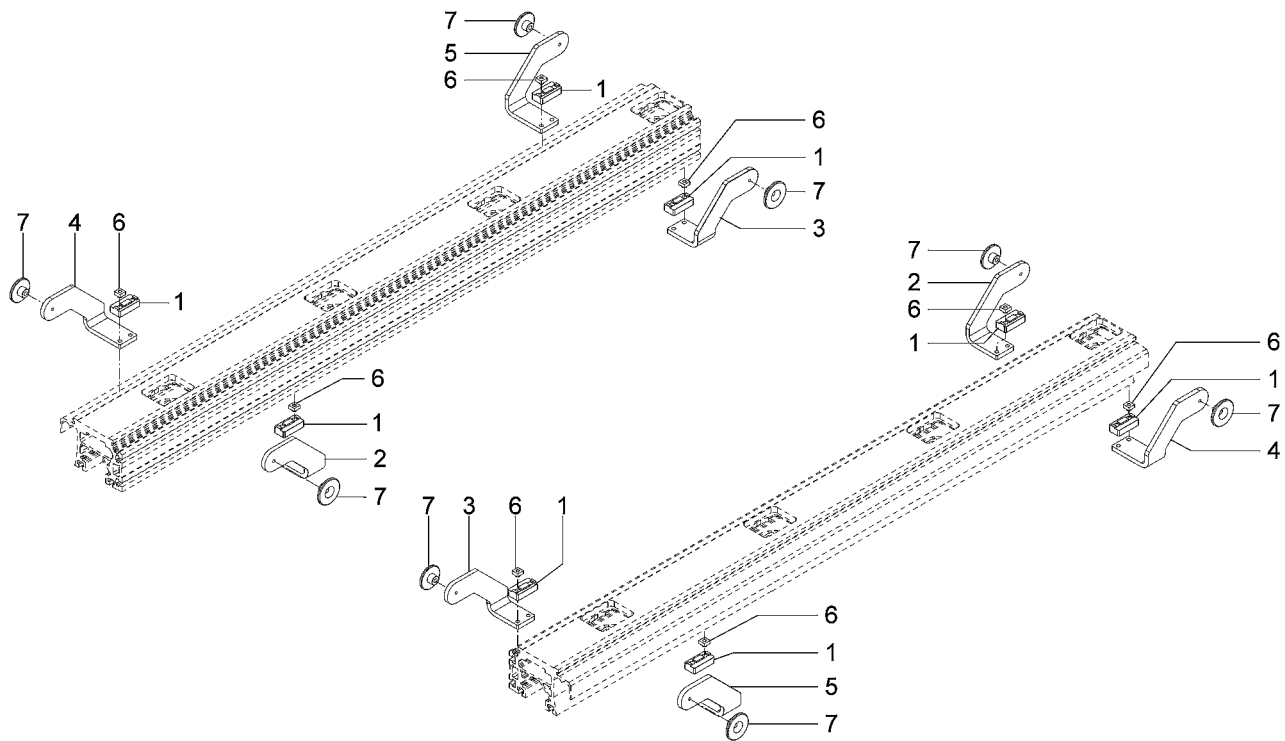
POSITION	DRAWING/COMPONENT	DESCRIPTION
1	1203A0188	FRAME
2	2201A0723	DRIVEN ROLLER
3	G0814B0329	PLATE
4	0814A0977	PLATE
5	0906A0240	SPACER
6	1411A0044	GUIDE
7	2922A0070	ROLLER
8	2922A0071	ROLLER
9	2705A0584	BELT
10	1408A0333	CURTAIN GUARD L=2190
11	0804A0038	NUT

- 1 1208A2348V
- 2 1208A2349V
- 3 1208A2350V
- 4 D0149A03
- 8 P0038A00

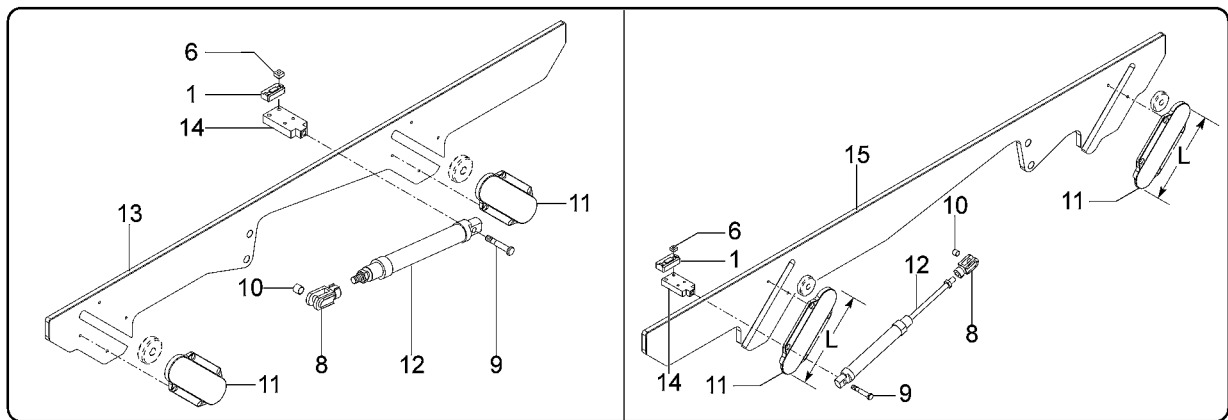


D0171A00 - CHIP CONVEYOR - 69371\_ALL - ROVER A 03-12-2008

POSITION	DRAWING/COMPONENT	DESCRIPTION
1	1208A2348V	CASING
2	1208A2349V	CASING
3	1208A2350V	CASING
4	D0149A03	BELT
8	P0038A00	CONTROL MODULE UNIT



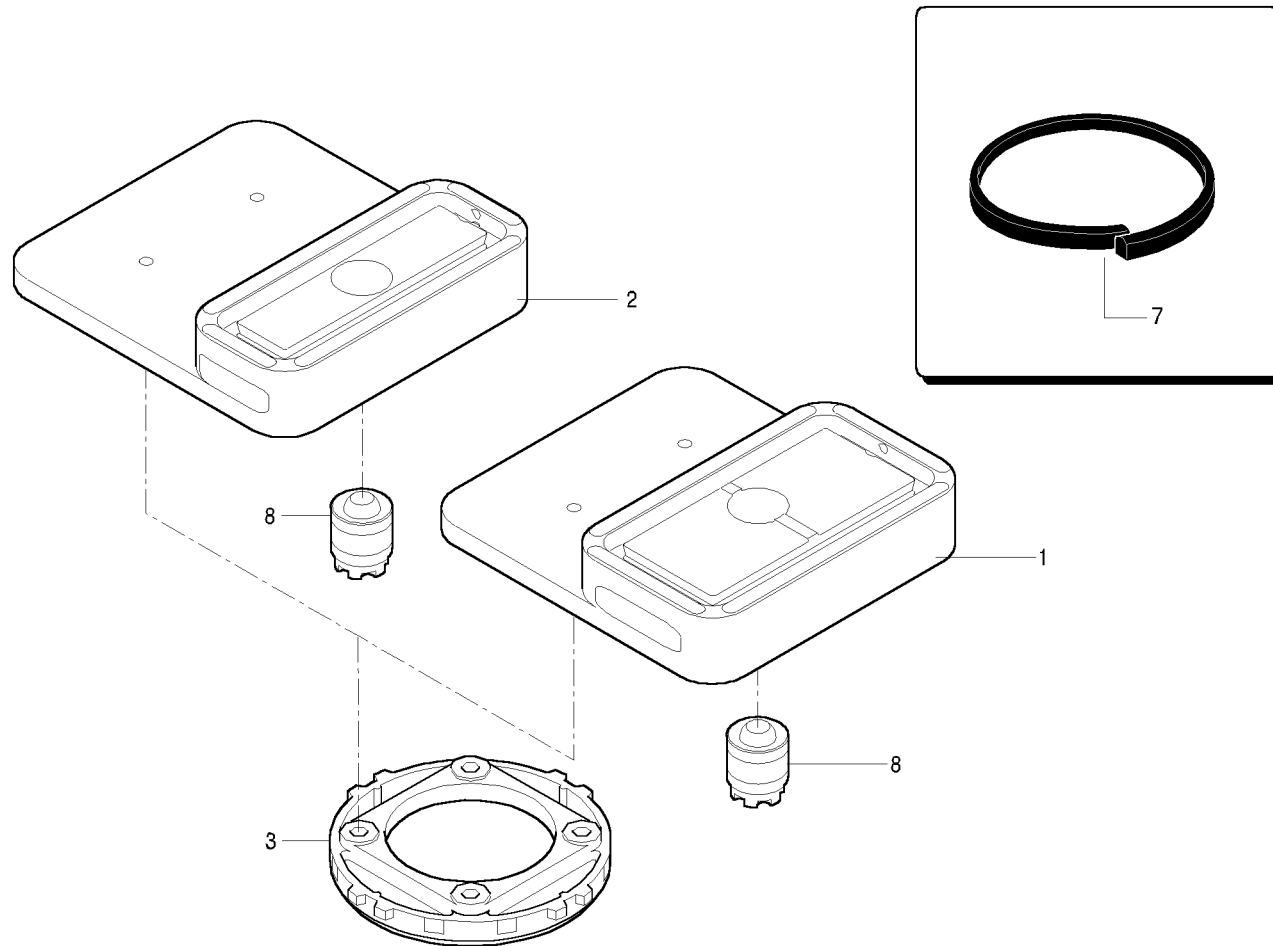
- 1 0906A0241
- 2 1205A1681
- 3 1205A1680
- 4 1205A1682
- 5 1205A1683
- 6 0804A0038
- 7 0817A0512
- 8 2012A0002
- 9 303101300
- 10 291004400 - GLY PG 1012..
- 11 0908A0440
- 12 2420A1343 - L=254
- 13 1514A0604
- 14 0805A0463 - L=77,5
- 14 0805A0462 - L=64,5
- 15 1514A0603



## D0172A02 - LOADING-UNLOADING DEVICE - 69371\_ALL - ROVER A 03-12-2008

POSITION	DRAWING/COMPONENT	DESCRIPTION
1	0906A0241	SPACER
2	1205A1681	SUPPORT
3	1205A1680	SUPPORT
4	1205A1682	SUPPORT
5	1205A1683	SUPPORT
6	0804A0038	NUT
7	0817A0512	BUSHING
8	2012A0002	SUPPORT
9	303101300	SCREW
10	291004400	BUSHING GLY PG 101210F
11	0908A0440	CASING
12	2420A1343	CYLINDER L=254
13	1514A0604	BLADE
14	0805A0463	SUPPORT L=77,5
14	0805A0462	SUPPORT L=64,5
15	1514A0603	BLADE

- 1 1614A0088 - 131,5x75x29..
- 1 1614A0120 - 131,5X75X48
- 2 1614A0121 - 131,5X54X48
- 2 1614A0087 - 132x50
- 3 1405A0013
- 7 3123A0076
- 8 1704A0012

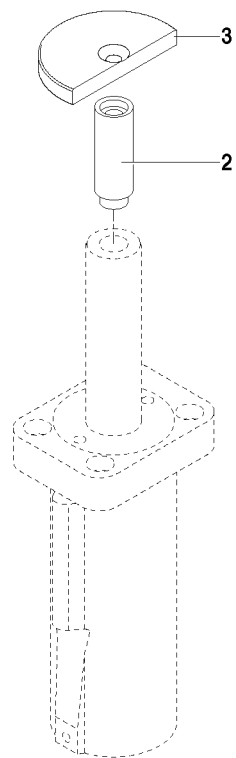


E0200A02 - SHAPEABLE SUCTION CUP - 69371\_ALL - ROVER A 03-12-2008

POSITION	DRAWING/COMPONENT	DESCRIPTION
1	1614A0088	PLATE 131,5X75X29,1
1	1614A0120	SHAPEABLE SUCTION CUP 131,5X75X48
2	1614A0121	SHAPEABLE SUCTION CUP 131,5X54X48
2	1614A0087	PLATE 132X50
3	1405A0013	SUPPORT
7	3123A0076	GASKET
8	1704A0012	SHUTTER



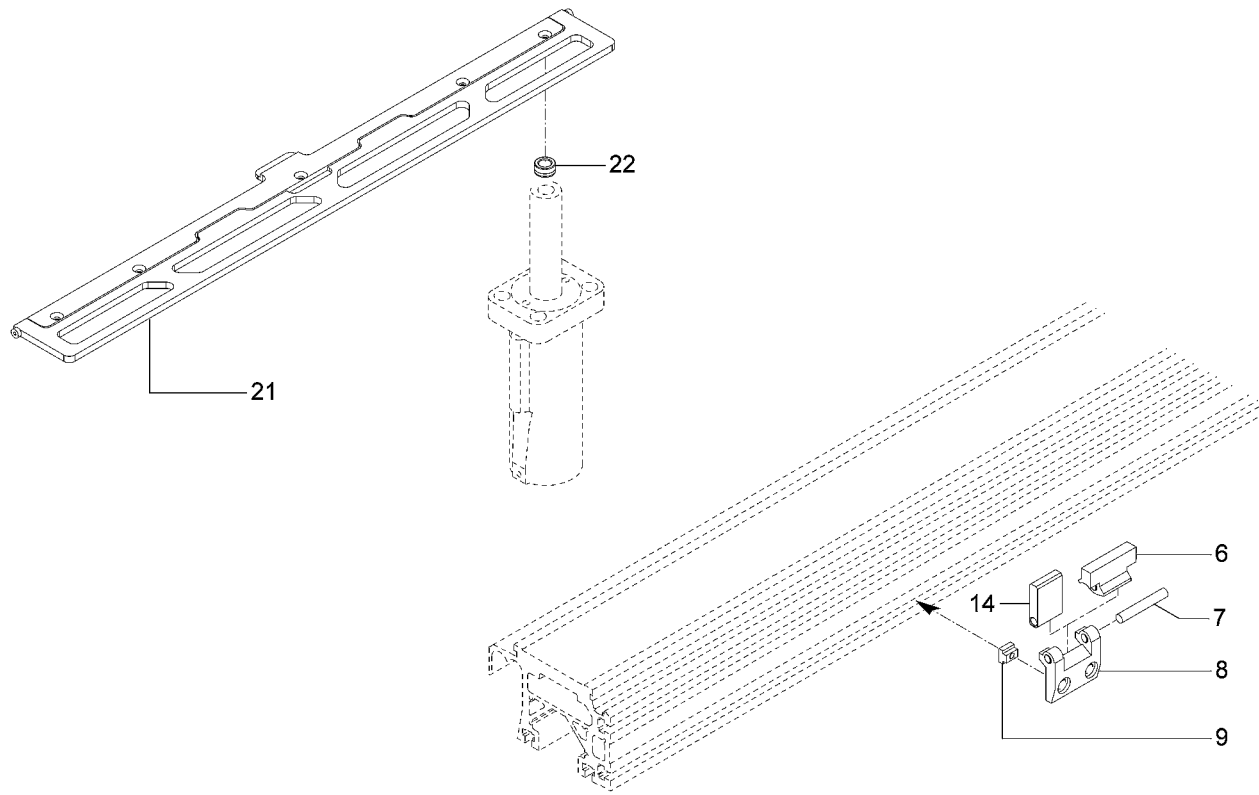
2 0806A0322  
3 1401A0068



E0202A02 - STOP - 69371\_ALL - ROVER A 03-12-2008

POSITION	DRAWING/COMPONENT	DESCRIPTION
2	0806A0322	SPACER
3	1401A0068	FLANGE

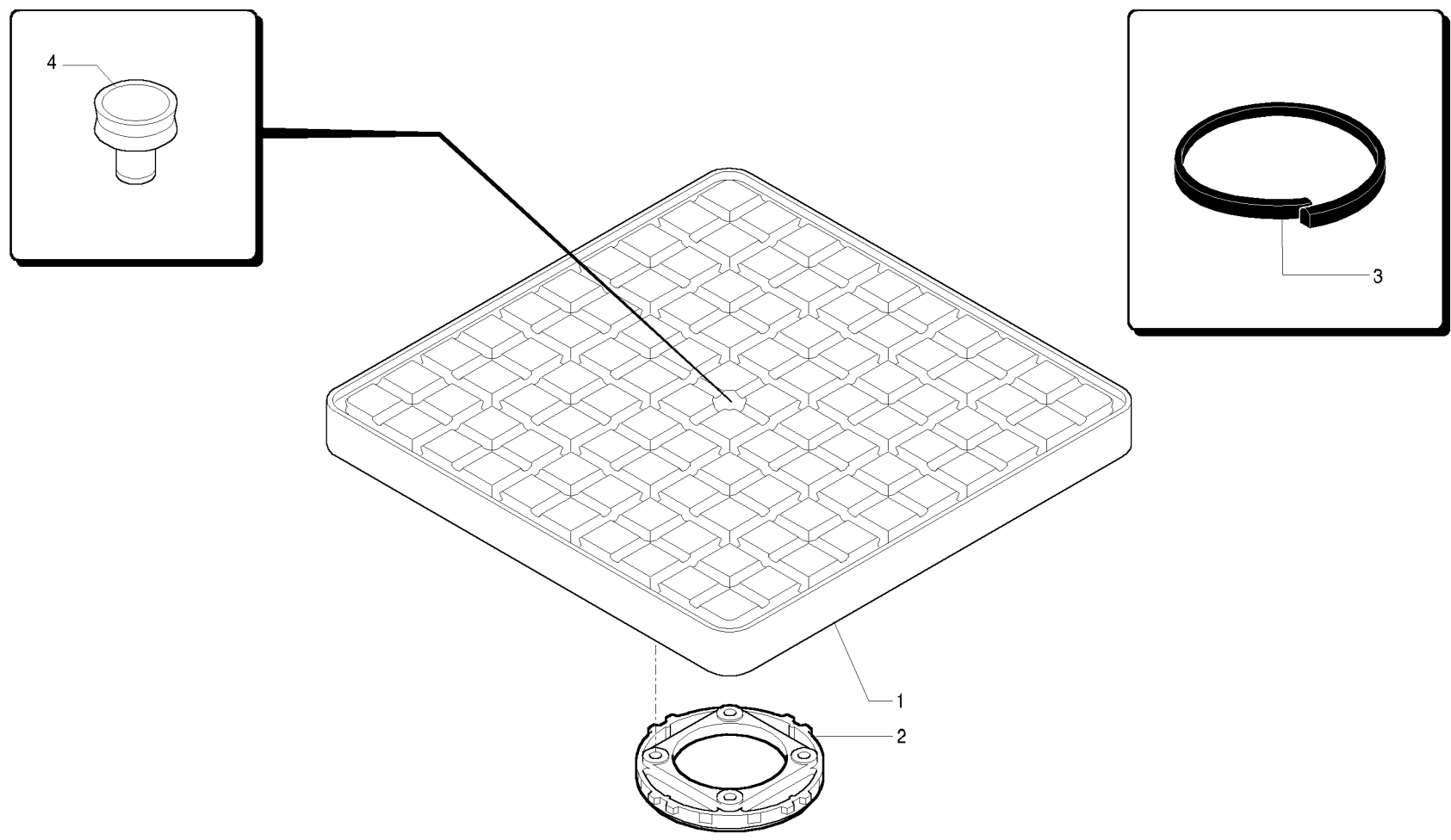
- 6 0924A0011
- 7 302309900 - 6X40 M6
- 8 0905A0880
- 9 0804A0038
- 14 0924A0025
- 21 1714A0118
- 22 0820A0520



E0206A04 - STOP - 69371\_ALL - ROVER A 03-12-2008

POSITION	DRAWING/COMPONENT	DESCRIPTION
6	0924A0011	LEVER
7	302309900	DOWEL 6X40 M6
8	0905A0880	SUPPORT
9	0804A0038	NUT
14	0924A0025	LEVER
21	1714A0118	STOP
22	0820A0520	DOWEL

- 1 1514A0204 - 315X315X29,...
- 1 1514A0399 - 315X315X48
- 2 1405A0013
- 3 3123A0076
- 4 1401A0011



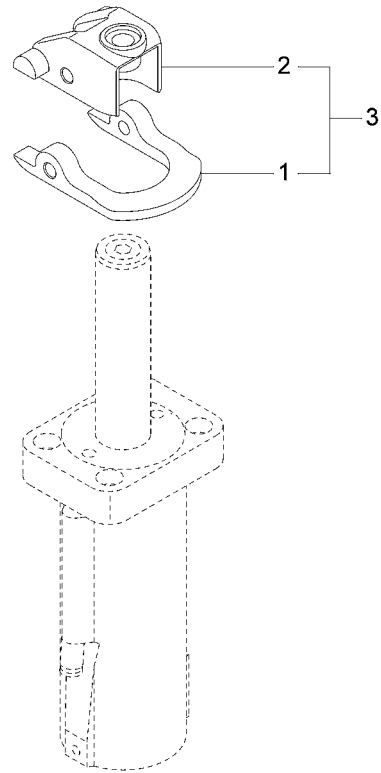
SHAPEABLE SUCTION CUP - 69371\_ALL - ROVER A 03-12-2008

E0232 A  
00

E0232A00 - SHAPEABLE SUCTION CUP - 69371\_ALL - ROVER A 03-12-2008

POSITION	DRAWING/COMPONENT	DESCRIPTION
1	1514A0204	PLATE 315X315X29,1
1	1514A0399	PLATE 315X315X48
2	1405A0013	SUPPORT
3	3123A0076	GASKET
4	1401A0011	PLUG

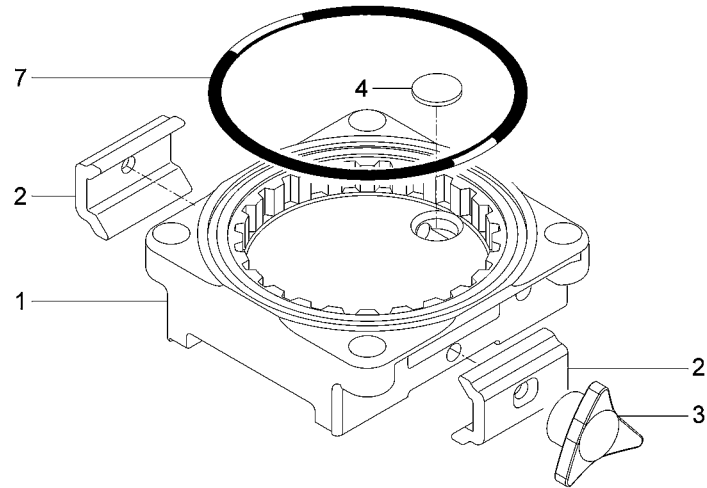
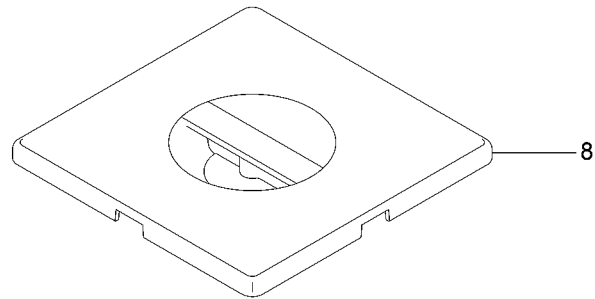
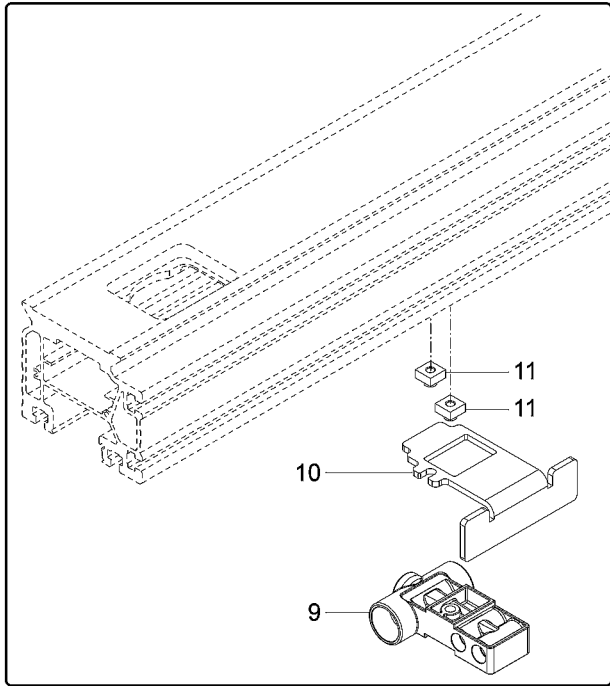
- 1 0728A0023
- 2 0905A1413
- 3 1728A0003



E0258A01 - STOP - 69371\_ALL - ROVER A 03-12-2008

POSITION	DRAWING/COMPONENT	DESCRIPTION
1	0728A0023	STOP
2	0905A1413	SUPPORT
3	1728A0003	STOP ASSEMBLY



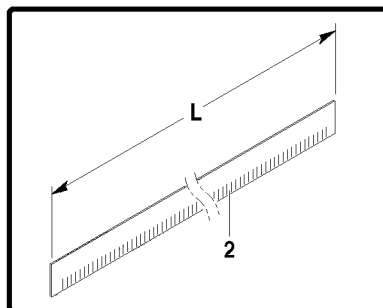
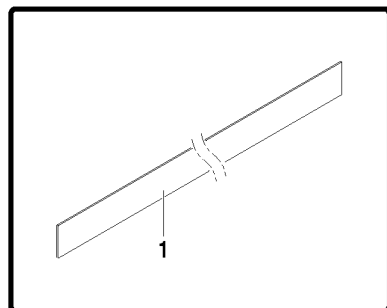


- 1 0905A1334
- 2 0724A0003
- 3 2710A0085
- 4 2422A0124
- 7 1419A0041
- 8 E0389A00
- 9 1713A0013
- 10 1208A2463
- 11 0804A0038

E0262A02 - CARRIAGE - CTS - 69371\_ALL - ROVER A 03-12-2008

POSITION	DRAWING/COMPONENT	DESCRIPTION
1	0905A1334	SUPPORT
2	0724A0003	LEVER
3	2710A0085	HANDWHEEL
4	2422A0124	FILTER
7	1419A0041	GASKET
8	E0389A00	PLUG
9	1713A0013	DISTRIBUTOR
10	1208A2463	CASING
11	0804A0038	NUT

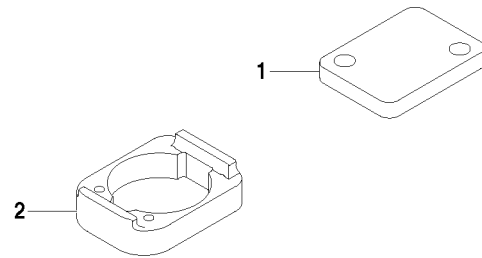
- 1 1426A0031 - L=1600
- 2 1426A0030 - L=0-1600



E0273A00 - MILLIMETRE RULE - 69371\_ALL - ROVER A 03-12-2008

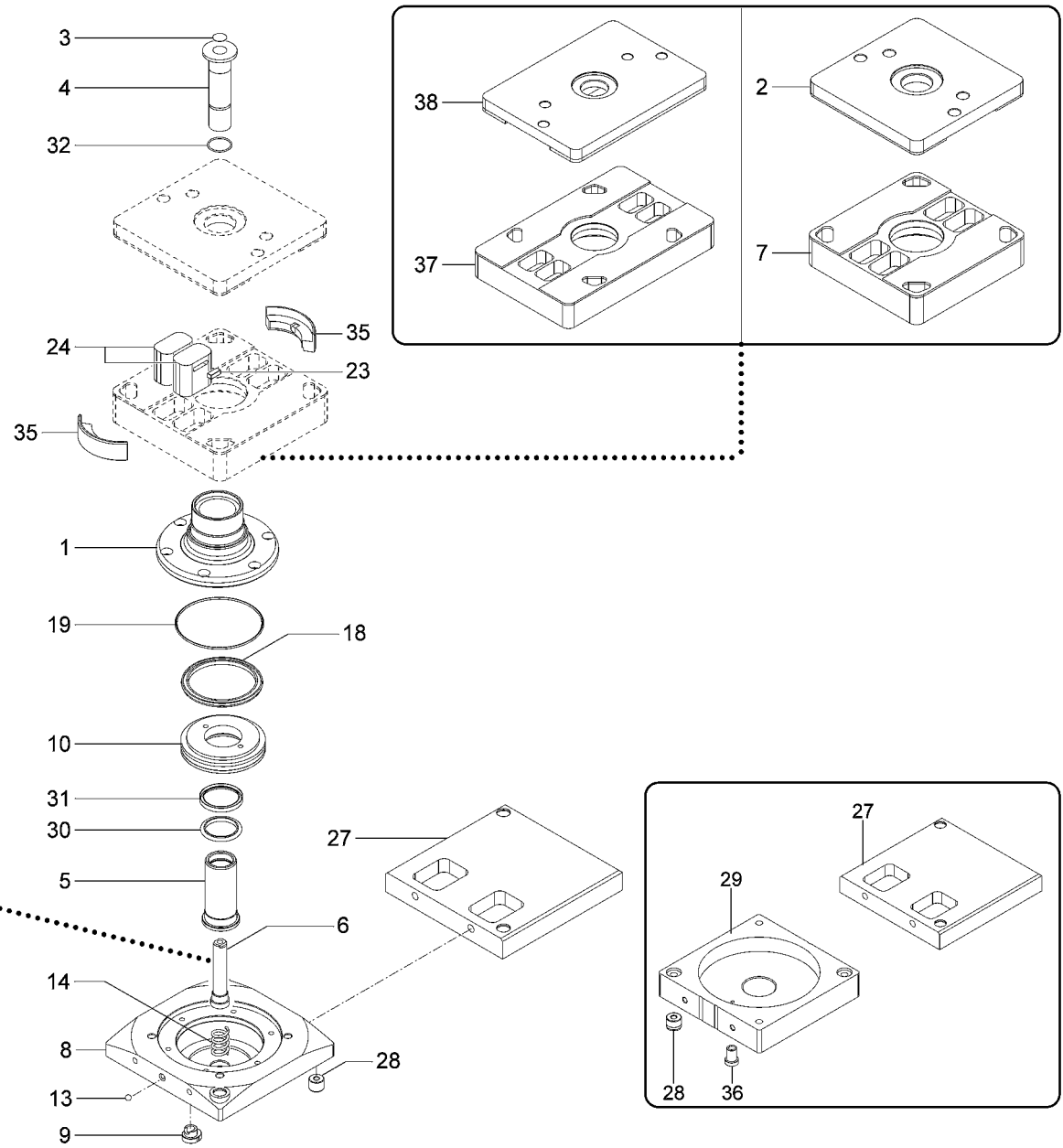
POSITION	DRAWING/COMPONENT	DESCRIPTION
1	1426A0031	MILLIMETRE RULE L=1600
2	1426A0030	MILLIMETRE RULE L=0-1600

1 1401A0049  
2 0914A0470



E0280A00 - PLUG - 69371\_ALL - ROVER A 03-12-2008

POSITION	DRAWING/COMPONENT	DESCRIPTION
1	1401A0049	PLUG
2	0914A0470	PLATE



- 1 0717A0030 - H=73
- 1 0717A0032 - H=98
- 1 0717A0031 - H=48
- 2 1714A0082
- 3 2040A0019
- 4 0815A0344 - H=69
- 4 0815A0327 - H=94
- 4 0815A0347 - H=125
- 5 0815A0326 - H=97
- 5 0815A0346 - H=139
- 5 0815A0345 - H=72
- 6 0820A0526 - H=92
- 6 0820A0532 - H=67
- 6 0820A0533 - H=117
- 7 1614A0116
- 8 0905A1592
- 9 1419A0023
- 9 1419A0069
- 10 0915A0017
- 13 292100100 - ISO 30
- 14 2801A0400
- 18 310701800
- 19 311027100
- 23 2010A0018
- 24 1528A0019 - H=57
- 24 1528A0018 - H=33
- 24 1528A0038 - H=100
- 27 0914A0756
- 28 0820A0493
- 30 3123A0276
- 31 3114A0030
- 32 311028700
- 33 0804A0354
- 34 0804A0353
- 35 1606A0074 - H=16
- 35 1606A0077 - H=38
- 35 1606A0075 - H=40
- 37 1614A0115
- 38 1714A0095



CLAMP - 69371\_ALL - ROVER A 03-12-2008

E0281 A  
05

E0281A05 - CLAMP - 69371\_ALL - ROVER A 03-12-2008

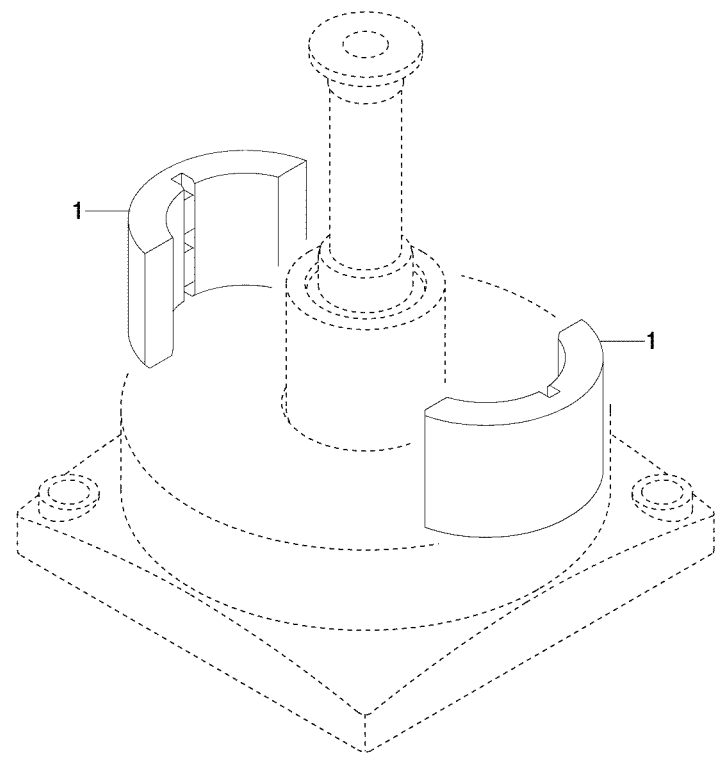
POSITION	DRAWING/COMPONENT	DESCRIPTION
1	0717A0030	BUSHING H=73
1	0717A0032	BUSHING H=98
1	0717A0031	BUSHING H=48
2	1714A0082	PLATE
3	2040A0019	MAGNET
4	0815A0344	ROD H=69
4	0815A0327	ROD H=94
4	0815A0347	ROD H=125
5	0815A0326	ROD H=97
5	0815A0346	ROD H=139
5	0815A0345	ROD H=72
6	0820A0526	PIN H=92
6	0820A0532	PIN H=67
6	0820A0533	PIN H=117
7	1614A0116	STOP
8	0905A1592	SUPPORT
9	1419A0023	GASKET
9	1419A0069	GASKET
10	0915A0017	PISTON
13	292100100	BALL ISO 30
14	2801A0400	SPRING
18	310701800	GASKET
19	311027100	GASKET
23	2010A0018	MAGNET
24	1528A0019	STOP H=57
24	1528A0018	STOP H=33
24	1528A0038	STOP H=100
27	0914A0756	PLATE
28	0820A0493	DOWEL



E0281A05 - CLAMP - 69371\_ALL - ROVER A 03-12-2008

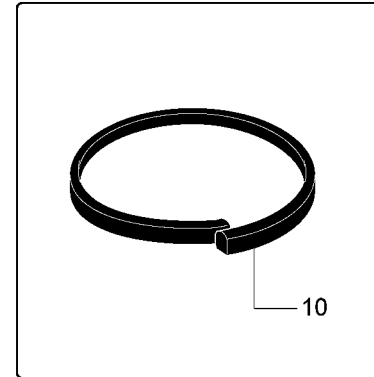
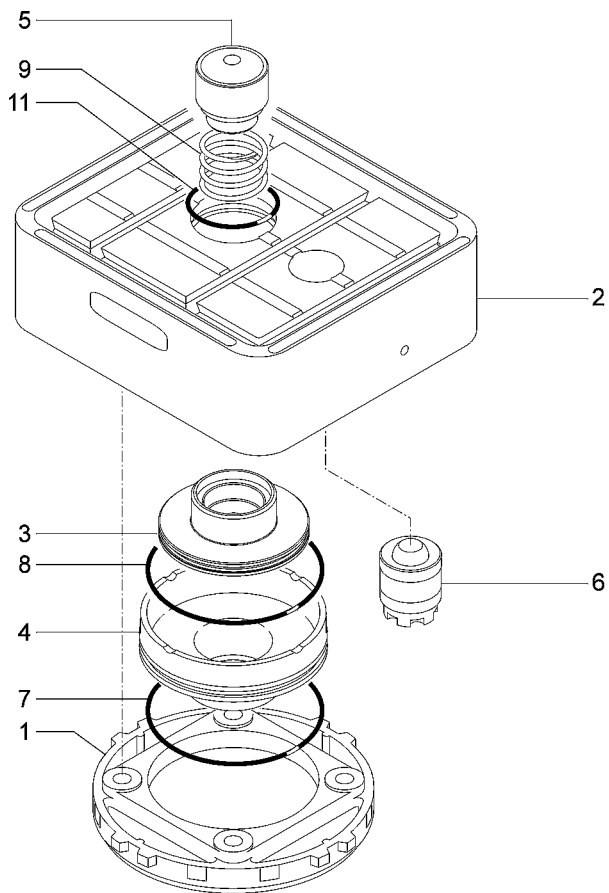
POSITION	DRAWING/COMPONENT	DESCRIPTION
30	3123A0276	GASKET
31	3114A0030	SEAL RING
32	311028700	SEAL RING
33	0804A0354	SCREW
34	0804A0353	WASHER
35	1606A0074	SPACER H=16
35	1606A0077	SPACER H=38
35	1606A0075	SPACER H=40
37	1614A0115	STOP
38	1714A0095	PLATE

- 1 1606A0061 - H=38
- 1 1606A0080 - De=72 H=81
- 1 1606A0059 - H=38
- 1 1606A0081 - De=92 H=81
- 1 1606A0082 - De=92 H=38
- 1 1606A0079 - De=82 H=81
- 1 1606A0076 - H=14
- 1 1606A0058 - H=14



E0282A00 - MAGNET - 69371\_ALL - ROVER A 03-12-2008

POSITION	DRAWING/COMPONENT	DESCRIPTION
1	1606A0061	SPACER H=38
1	1606A0080	SPACER DE=72 H=81
1	1606A0059	SPACER H=38
1	1606A0081	SPACER DE=92 H=81
1	1606A0082	SPACER DE=92 H=38
1	1606A0079	SPACER DE=82 H=81
1	1606A0076	SPACER H=14
1	1606A0058	SPACER H=14

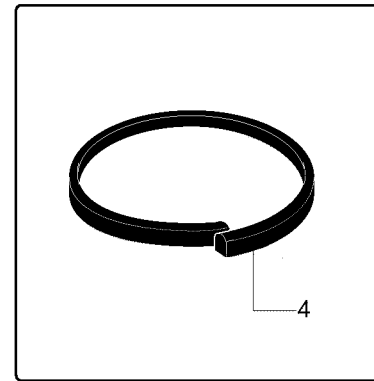
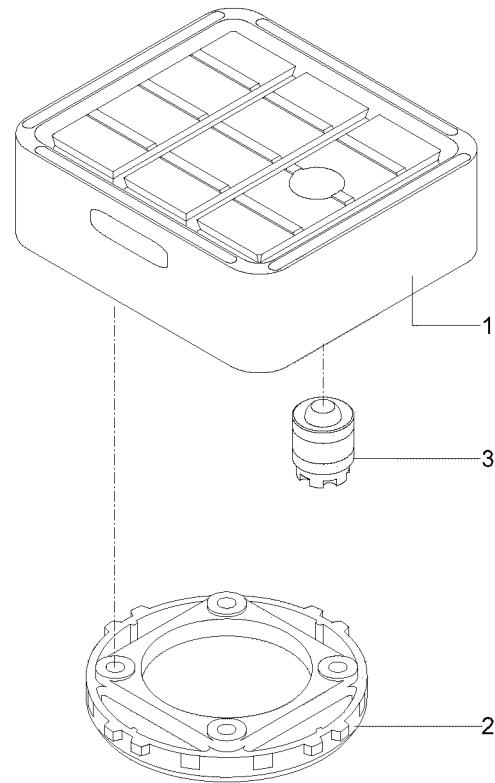


- 1 1405A0013
- 2 1614A0119
- 3 0915A0034
- 4 0916A0048
- 5 1420A0007
- 6 1704A0012
- 7 311026800 - OR 2250
- 8 311026600
- 9 2801A0039
- 10 3123A0076
- 11 3110A0014

E0291A01 - SHAPEABLE SUCTION CUP - 69371\_ALL - ROVER A 03-12-2008

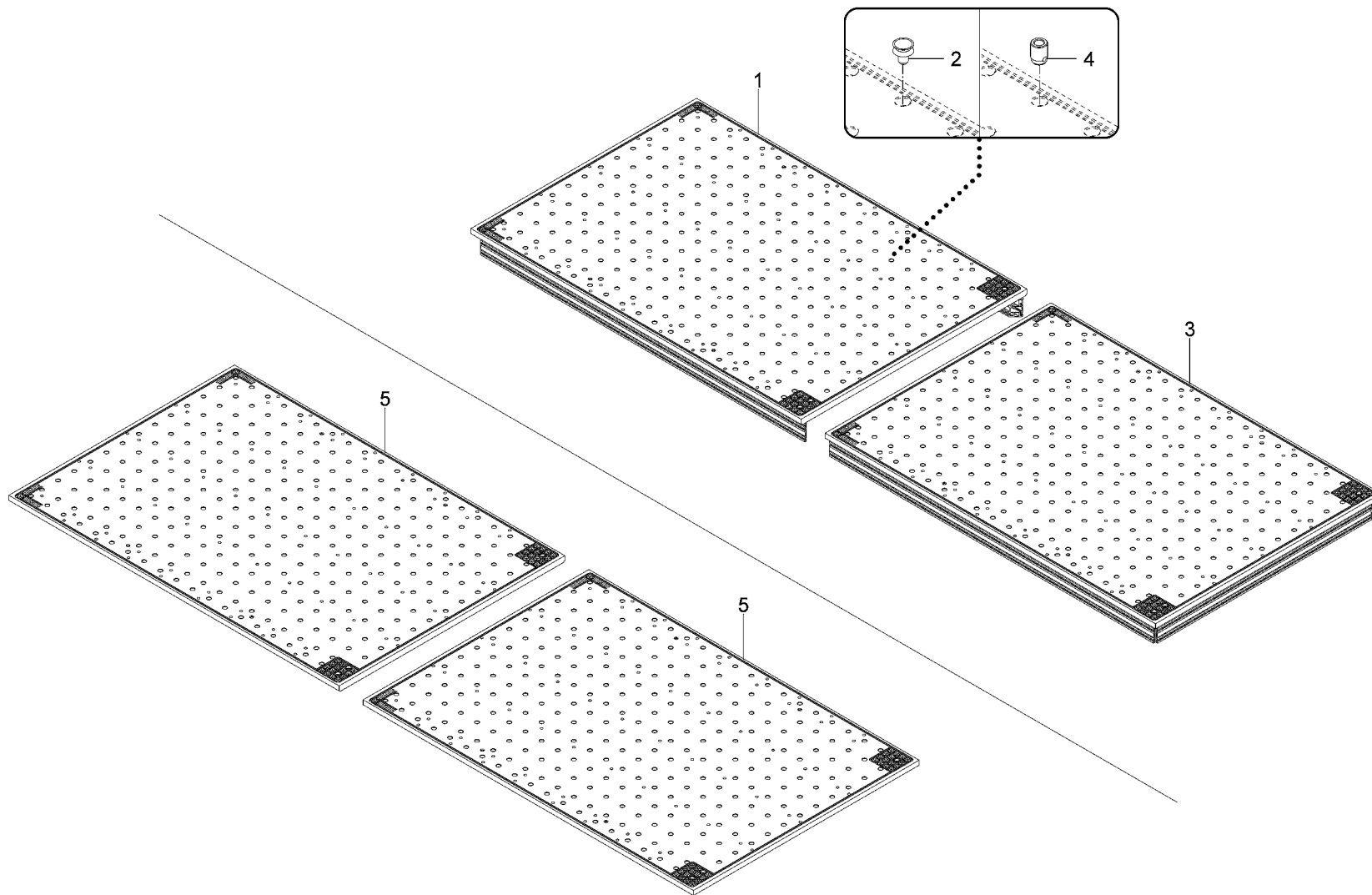
POSITION	DRAWING/COMPONENT	DESCRIPTION
1	1405A0013	SUPPORT
2	1614A0119	SHAPEABLE SUCTION CUP
3	0915A0034	PISTON
4	0916A0048	CYLINDER LINER
5	1420A0007	PIN
6	1704A0012	SHUTTER
7	311026800	SEAL RING OR 2250
8	311026600	SEAL RING
9	2801A0039	SPRING
10	3123A0076	GASKET
11	3110A0014	SEAL RING

- 1 1614A0127 - 131,5x146x7..
- 1 1614A0128 - 131,5x172x7..
- 1 1614A0117 - 131,5x172x4..
- 1 1614A0118 - 131,5x146x4..
- 2 1405A0013
- 3 1704A0012
- 4 3123A0076



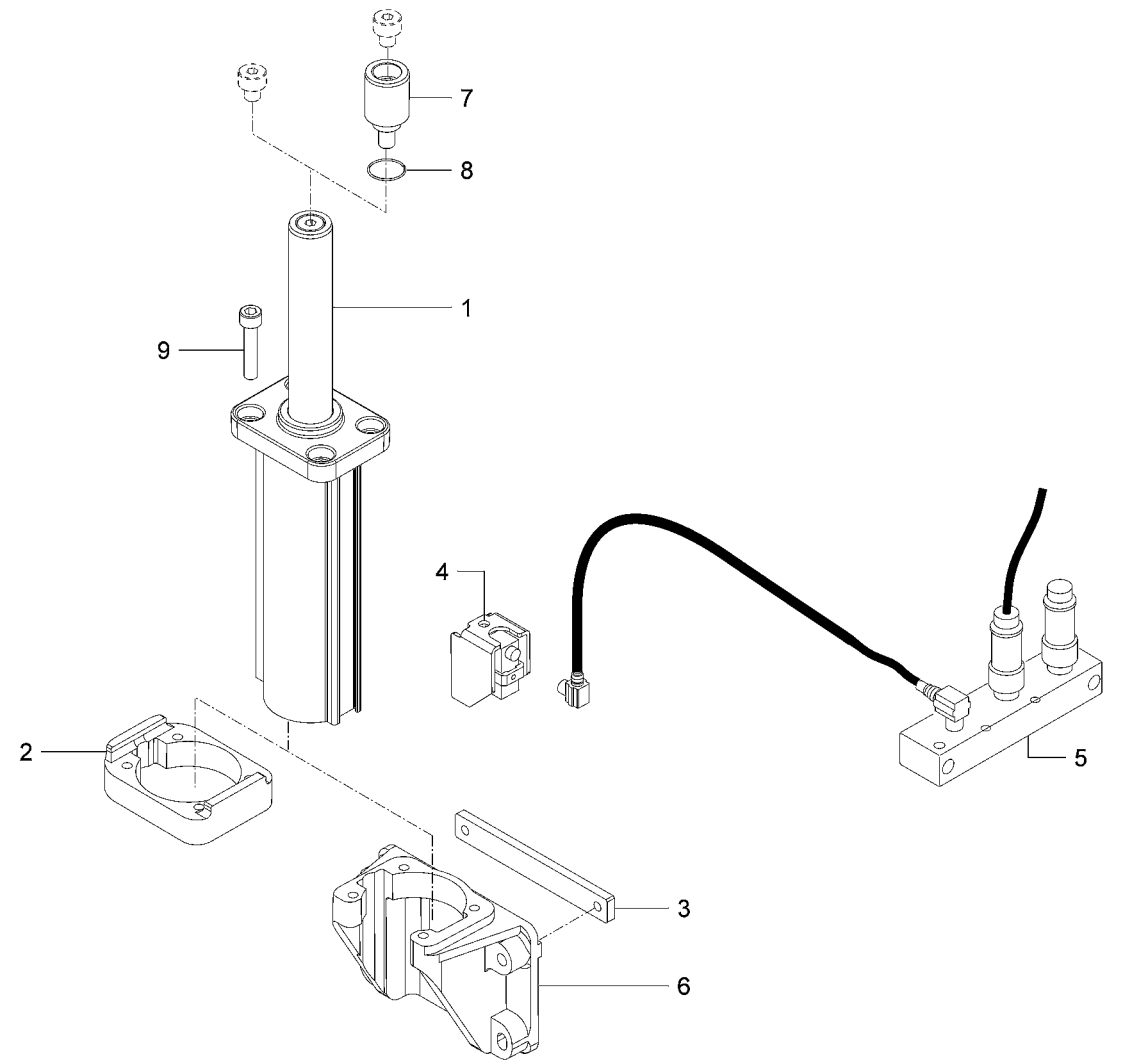
E0292A00 - SHAPEABLE SUCTION CUP - 69371\_ALL - ROVER A 03-12-2008

POSITION	DRAWING/COMPONENT	DESCRIPTION
1	1614A0127	PLATE 131,5X146X74
1	1614A0128	PLATE 131,5X172X74
1	1614A0117	SHAPEABLE SUCTION CUP 131,5X172X48
1	1614A0118	SHAPEABLE SUCTION CUP 131,5X146X48
2	1405A0013	SUPPORT
3	1704A0012	SHUTTER
4	3123A0076	GASKET



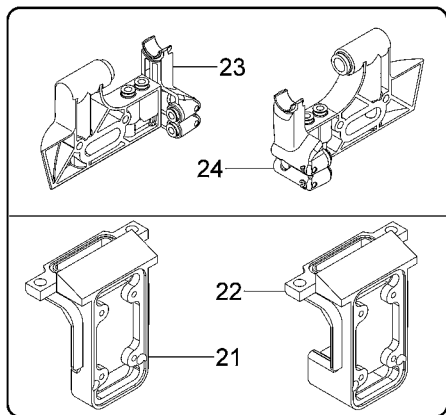
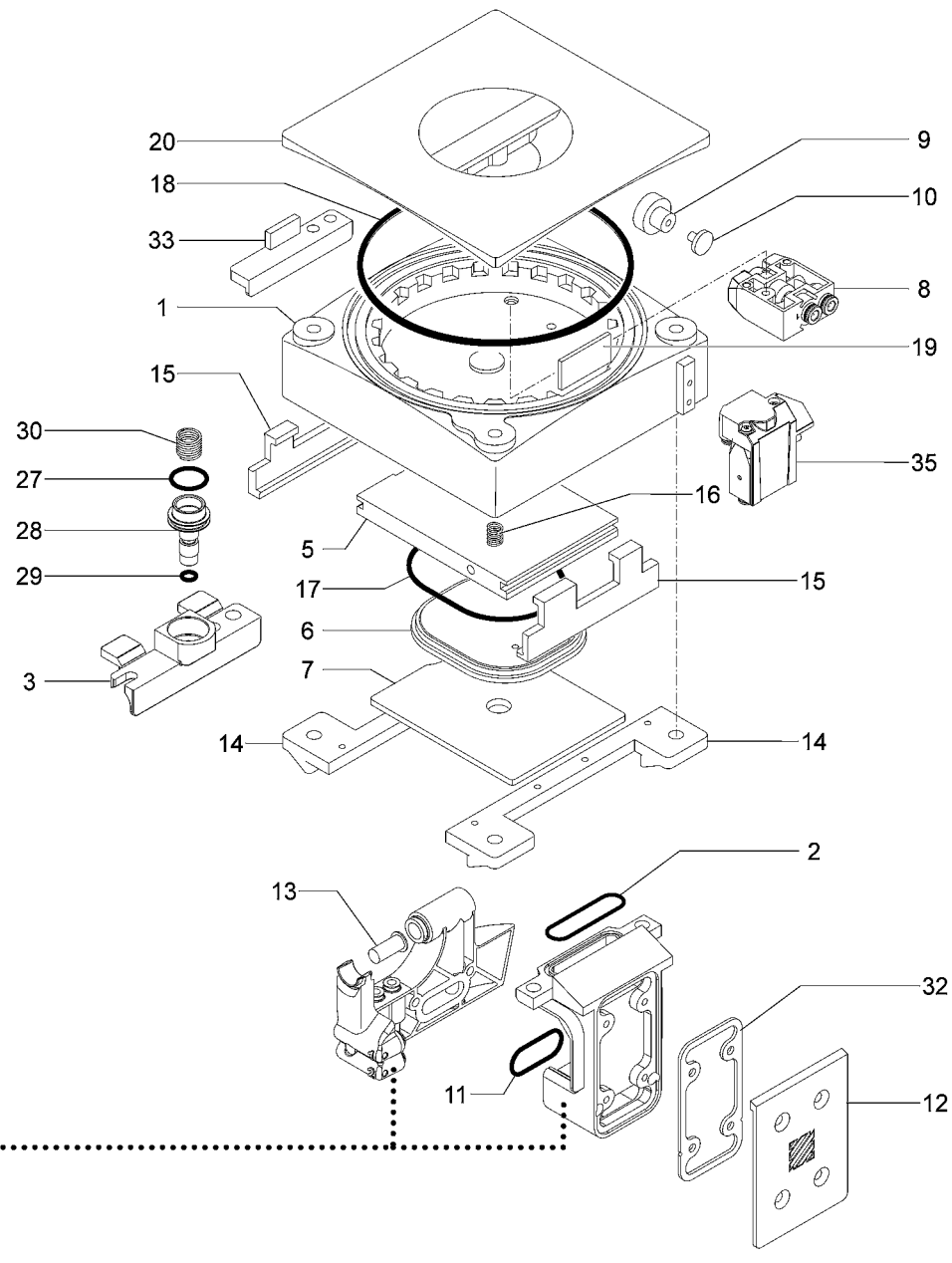


- 1 7501A9251 - C=115
- 2 0914A0976
- 3 0802A0023
- 4 E0348A00
- 5 M0164A00
- 6 0905A0874
- 9 3031A0016



E0321A01 - STOP - 69371\_ALL - ROVER A 03-12-2008

POSITION	DRAWING/COMPONENT	DESCRIPTION
1	7501A9251	STOP C=115
2	0914A0976	PLATE
3	0802A0023	GIB
4	E0348A00	SENSOR
5	M0164A00	CONNECTOR
6	0905A0874	SUPPORT
9	3031A0016	SCREW

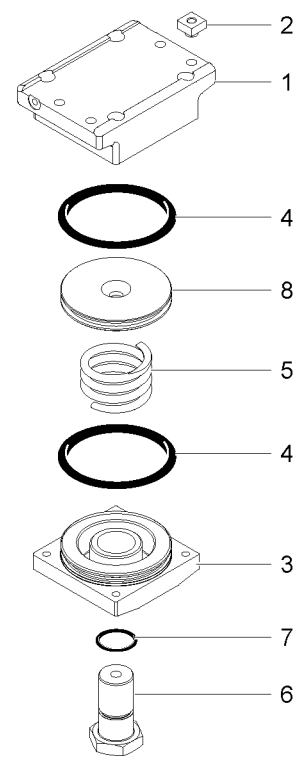


- 1 1705A0167
- 2 311029200
- 5 0816A0017
- 6 0915A0035
- 7 1214A0959
- 8 2413A0189
- 9 2428A0200
- 10 242800800
- 11 311002000 - OR 2087
- 12 0908A0283
- 13 0817A0168
- 14 1711A0006
- 15 0814A1402
- 16 2801A0016 - De=9,5 Di=7..
- 17 3110A0239
- 18 1419A0041
- 19 2422A0057
- 20 E0389A00
- 21 0913A0129
- 22 0913A0130
- 23 6446A0002 - DX
- 24 6446A0001 - SX
- 26 6422A0031
- 32 1419A0032
- 33 0914A0603
- 34 1208A2096

## E0323A05 - CARRIAGE - 69371\_ALL - ROVER A 03-12-2008

POSITION	DRAWING/COMPONENT	DESCRIPTION
1	1705A0167	SUPPORT
2	311029200	SEAL RING
5	0816A0017	CYLINDER LINER
6	0915A0035	PISTON
7	1214A0959	PLATE
8	2413A0189	VALVE
9	2428A0200	PUSH BUTTON
10	242800800	WASHER
11	311002000	RING OR 2087
12	0908A0283	COVER
13	0817A0168	BUSHING
14	1711A0006	GUIDE ASSEMBLY
15	0814A1402	BRACKET
16	2801A0016	SPRING DE=9,5 DI=7,5
17	3110A0239	GASKET
18	1419A0041	GASKET
19	2422A0057	FILTER
20	E0389A00	PLUG
21	0913A0129	DISTRIBUTOR
22	0913A0130	DISTRIBUTOR
23	6446A0002	DISTRIBUTOR DX
24	6446A0001	DISTRIBUTOR SX
26	6422A0031	VALVE
32	1419A0032	GASKET
33	0914A0603	BLOCK
34	1208A2096	CASING

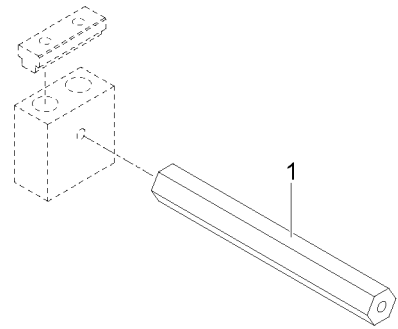
- 1 0916A0120
- 2 0804A0038
- 3 0701A0018
- 4 311011500 - OR 4250
- 5 2801A0419
- 6 0820A0485
- 7 3110A2008
- 8 091507601



E0324A00 - LOCKING UNIT - 69371\_ALL - ROVER A 03-12-2008

POSITION	DRAWING/COMPONENT	DESCRIPTION
1	0916A0120	CYLINDER LINER
2	0804A0038	NUT
3	0701A0018	FLANGE
4	311011500	RING OR 4250
5	2801A0419	SPRING
6	0820A0485	PIN
7	3110A2008	GASKET
8	091507601	PISTON

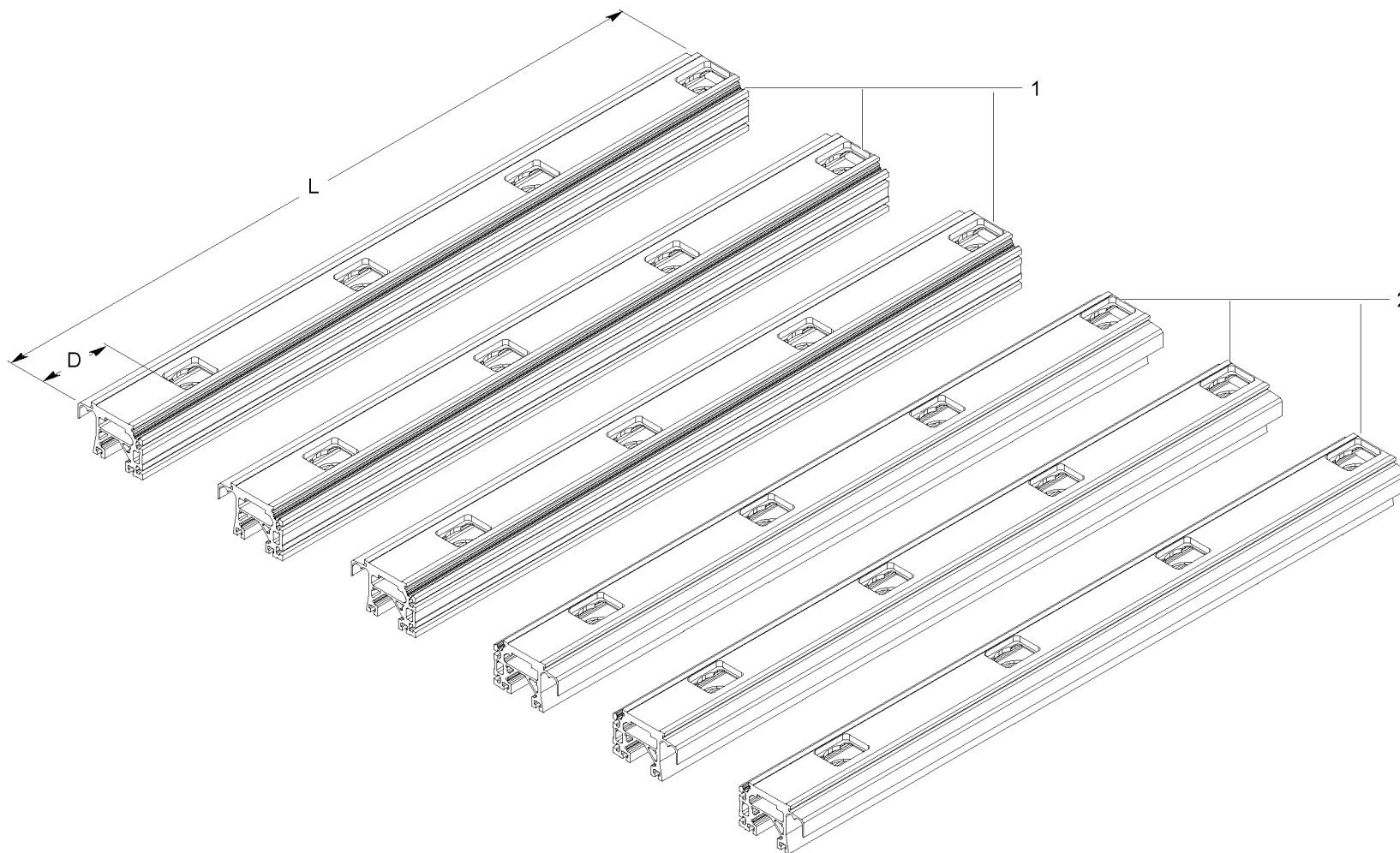
- 1 0806A0586 - L=130
- 1 0806A0583 - L=94
- 1 0806A0582 - L=40



E0326A00 - SPACER - 69371\_ALL - ROVER A 03-12-2008

POSITION	DRAWING/COMPONENT	DESCRIPTION
1	0806A0586	SPACER L=130
1	0806A0583	SPACER L=94
1	0806A0582	SPACER L=40

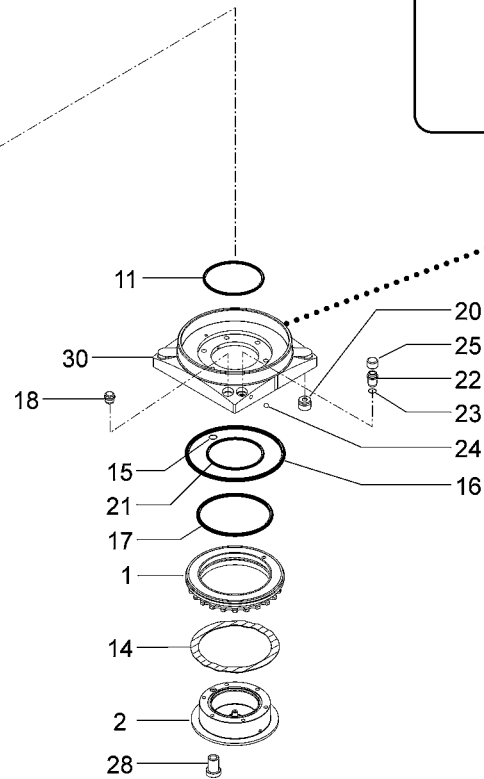
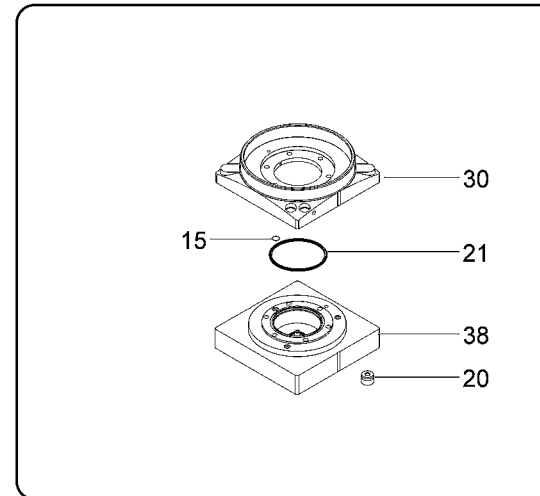
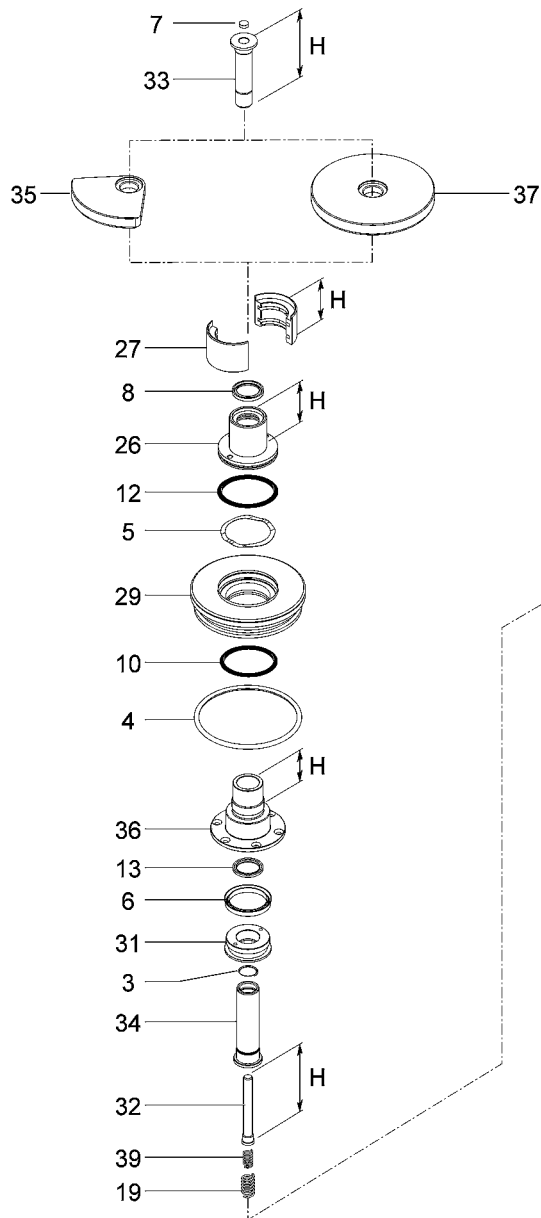




- 1 0905A1730 - L=1250 CTS
- 1 0905A1803 - L=1250 ATS
- 2 0905A1804 - L=1250 ATS
- 2 0905A1731 - L=1250 CTS

E0327A00 - WORK TABLE - 69371\_ALL - ROVER A 03-12-2008

POSITION	DRAWING/COMPONENT	DESCRIPTION
1	0905A1730	SUPPORT L=1250 CTS
1	0905A1803	SUPPORT L=1250 ATS
2	0905A1804	SUPPORT L=1250 ATS
2	0905A1731	SUPPORT L=1250 CTS



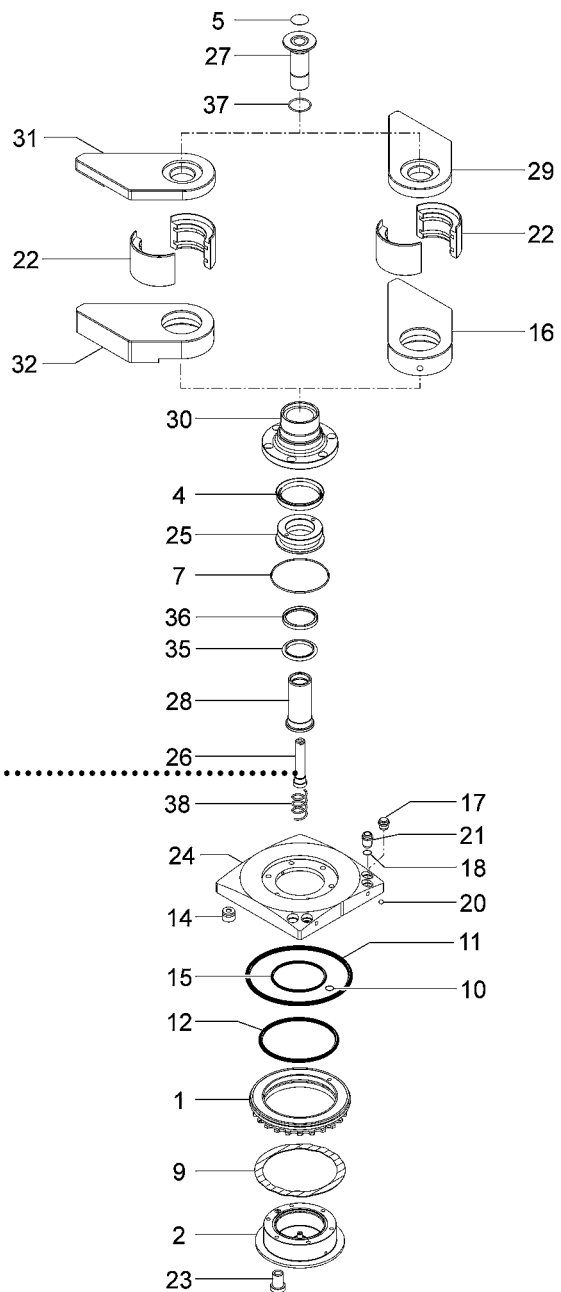
- 1 0815A0300
- 2 0801A0428
- 3 311001800 - OR 2075
- 4 3110A2224
- 5 2807A0010
- 6 3102A0103
- 7 2403A0004
- 8 311403800
- 10 3107A0009
- 11 311026700
- 12 311026800 - OR 2250
- 13 310701600
- 14 2807A0012
- 15 311000400
- 16 3110A2125
- 17 3110A0240
- 18 0801A0244
- 19 2801A0386
- 20 0820A0493
- 21 3110A1938
- 22 0817A0211
- 23 3110A1884
- 24 292100100 - ISO 30
- 25 2403A0281
- 26 0817A0083 - H=14,5
- 26 0817A0126 - H=41
- 27 1606A0075 - H=40
- 27 1606A0074 - H=16
- 28 1419A0066
- 29 1601A0048
- 30 0905A1347
- 31 0915A0032
- 32 0820A0391 - H=68
- 32 0820A0230 - H=90
- 33 0815A0331 - H=67
- 33 0815A0321 - H=87
- 33 0815A0330 - H=128
- 34 0815A0227 - H=75,5
- 34 0815A0190 - H=141
- 34 0815A0133 - H=100
- 35 1601A0025 - H=15
- 36 0717A0009 - H=66,5
- 36 0717A0015 - H=40
- 37 1601A0035
- 39 2801A0069

E0328A04 - CLAMP - 69371\_ALL - ROVER A 03-12-2008

POSITION	DRAWING/COMPONENT	DESCRIPTION
1	0815A0300	PISTON
2	0801A0428	FLANGE
3	311001800	RING OR 2075
4	3110A2224	GASKET
5	2807A0010	RING
6	3102A0103	GASKET
7	2403A0004	PLUG
8	311403800	SEAL RING
10	3107A0009	GASKET
11	311026700	SEAL RING
12	311026800	SEAL RING OR 2250
13	310701600	GASKET
14	2807A0012	RING
15	311000400	RING
16	3110A2125	GASKET
17	3110A0240	SEAL RING
18	0801A0244	PLUG
19	2801A0386	SPRING
20	0820A0493	DOWEL
21	3110A1938	GASKET
22	0817A0211	BUSH
23	3110A1884	SEAL RING
24	292100100	BALL ISO 30
25	2403A0281	PLUG
26	0817A0083	BUSHING H=14,5
26	0817A0126	BUSHING H=41
27	1606A0075	SPACER H=40
27	1606A0074	SPACER H=16
28	1419A0066	GASKET

E0328A04 - CLAMP - 69371\_ALL - ROVER A 03-12-2008

POSITION	DRAWING/COMPONENT	DESCRIPTION
29	1601A0048	FLANGE
30	0905A1347	SUPPORT
31	0915A0032	PISTON
32	0820A0391	PIN H=68
32	0820A0230	PIN H=90
33	0815A0331	ROD H=67
33	0815A0321	ROD H=87
33	0815A0330	ROD H=128
34	0815A0227	ROD H=75,5
34	0815A0190	ROD H=141
34	0815A0133	ROD H=100
35	1601A0025	FLANGE H=15
36	0717A0009	BUSHING H=66,5
36	0717A0015	BUSHING H=40
37	1601A0035	FLANGE
39	2801A0069	SPRING



1	0815A0300
2	0801A0428
4	3102A0103
5	2040A0019
7	311026700
9	2807A0012
10	311000400
11	3110A2125
12	3110A0240
14	0820A0493
15	3110A1938
16	1714A0104
17	0801A0244
18	3110A1884
20	292100100 - ISO 30
21	0817A0211
22	1606A0075 - H=40
22	1606A0074 - H=16
22	1606A0077 - H=38
23	1419A0066
24	0905A1709
25	0915A0042
26	0820A0526 - H=92
26	0820A0532 - H=67
26	0820A0533 - H=117
27	0815A0327 - H=94
27	0815A0347 - H=125
27	0815A0344 - H=69
28	0815A0345 - H=72
28	0815A0346 - H=139
28	0815A0326 - H=97
29	1714A0106
30	0717A0034 - H=73
30	0717A0037 - H=98
30	0717A0036 - H=48
31	1714A0107
32	1714A0105
35	3123A0276
36	3114A0030
37	311028700
38	2801A0400
39	0804A0354
40	0804A0353

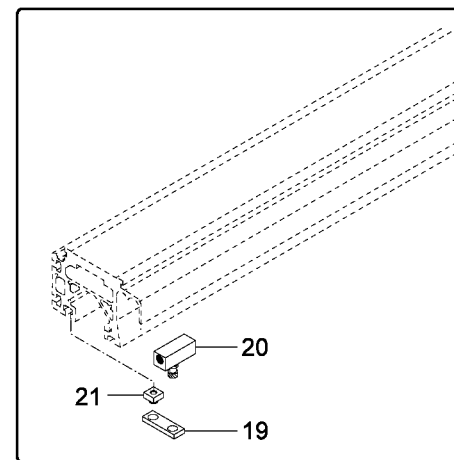
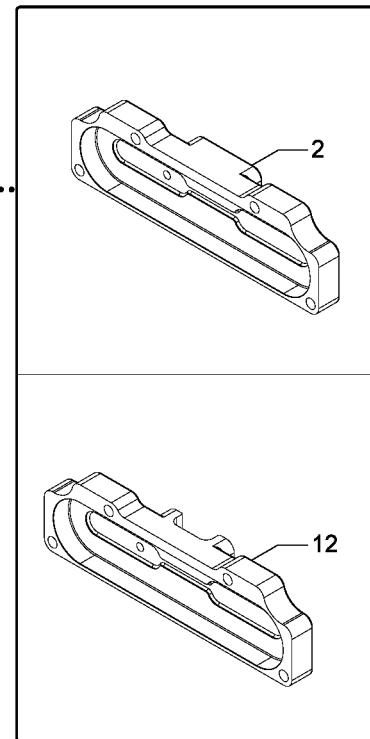
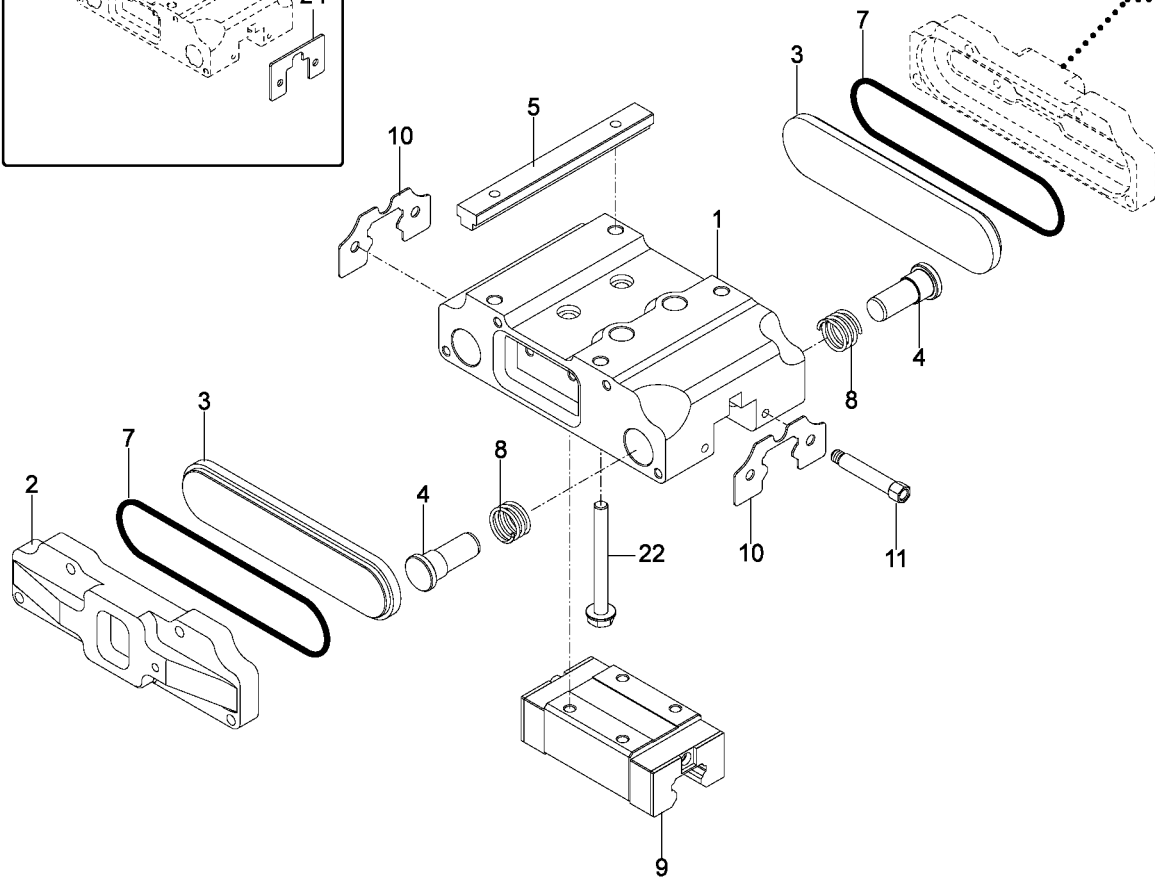
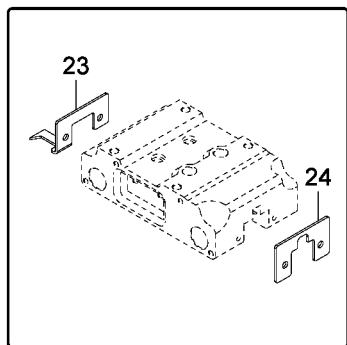
E0329A04 - CLAMP - 69371\_ALL - ROVER A 03-12-2008

POSITION	DRAWING/COMPONENT	DESCRIPTION
1	0815A0300	PISTON
2	0801A0428	FLANGE
4	3102A0103	GASKET
5	2040A0019	MAGNET
7	311026700	SEAL RING
9	2807A0012	RING
10	311000400	RING
11	3110A2125	GASKET
12	3110A0240	SEAL RING
14	0820A0493	DOWEL
15	3110A1938	GASKET
16	1714A0104	PLATE
17	0801A0244	PLUG
18	3110A1884	SEAL RING
20	292100100	BALL ISO 30
21	0817A0211	BUSH
22	1606A0075	SPACER H=40
22	1606A0074	SPACER H=16
22	1606A0077	SPACER H=38
23	1419A0066	GASKET
24	0905A1709	SUPPORT
25	0915A0042	PISTON
26	0820A0526	PIN H=92
26	0820A0532	PIN H=67
26	0820A0533	PIN H=117
27	0815A0327	ROD H=94
27	0815A0347	ROD H=125
27	0815A0344	ROD H=69
28	0815A0345	ROD H=72

E0329A04 - CLAMP - 69371\_ALL - ROVER A 03-12-2008

POSITION	DRAWING/COMPONENT	DESCRIPTION
28	0815A0346	ROD H=139
28	0815A0326	ROD H=97
29	1714A0106	PLATE
30	0717A0034	BUSHING H=73
30	0717A0037	BUSHING H=98
30	0717A0036	BUSHING H=48
31	1714A0107	PLATE
32	1714A0105	PLATE
35	3123A0276	GASKET
36	3114A0030	SEAL RING
37	311028700	SEAL RING
38	2801A0400	SPRING
39	0804A0354	SCREW
40	0804A0353	WASHER

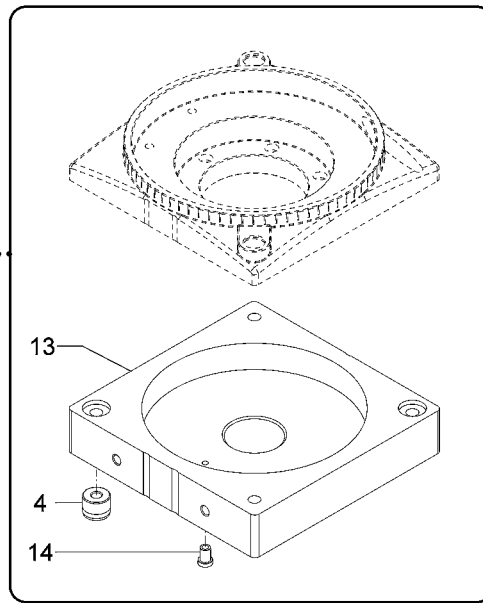
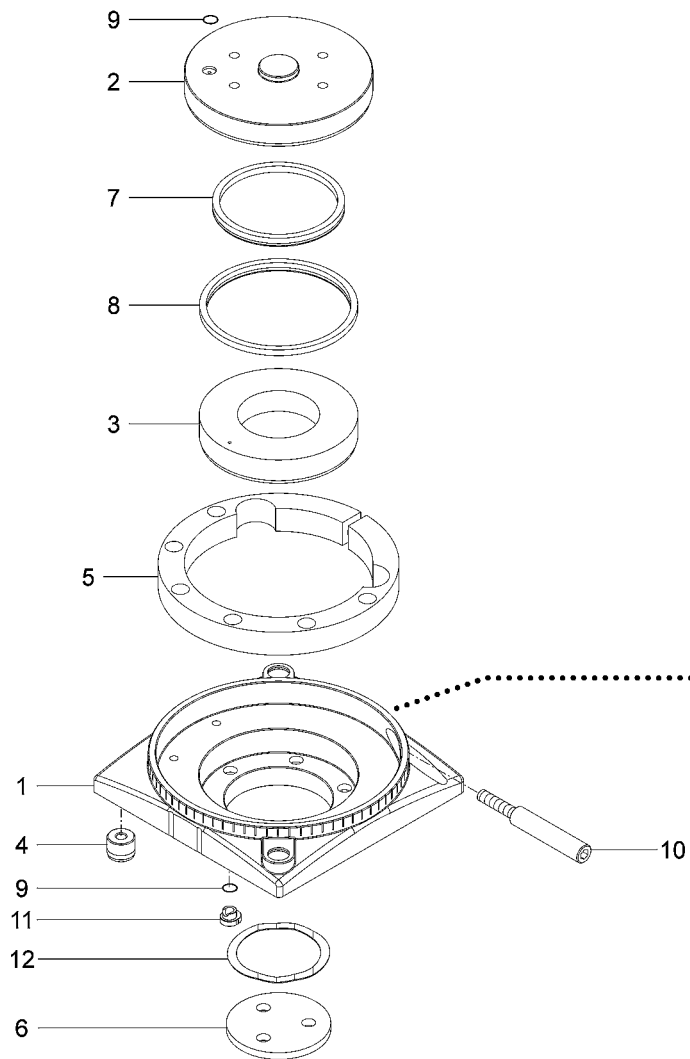




- 1 0705A0096
- 2 0716A0013
- 3 0815A0233
- 4 0820A0437
- 5 0802A0036
- 7 311025500
- 8 2801A0418 - FF250607
- 8 2801A0292 - D12500
- 9 2914A1125 - BRX25BHZ1
- 10 1219A0003
- 11 0806A0570
- 12 0716A0014
- 19 0814A0909
- 20 241402200 - F=M5
- 21 0804A0038
- 23 1226A0013V
- 24 1226A0012V

## E0331A03 - WORK TABLE LOCKING - 69371\_ALL - ROVER A 03-12-2008

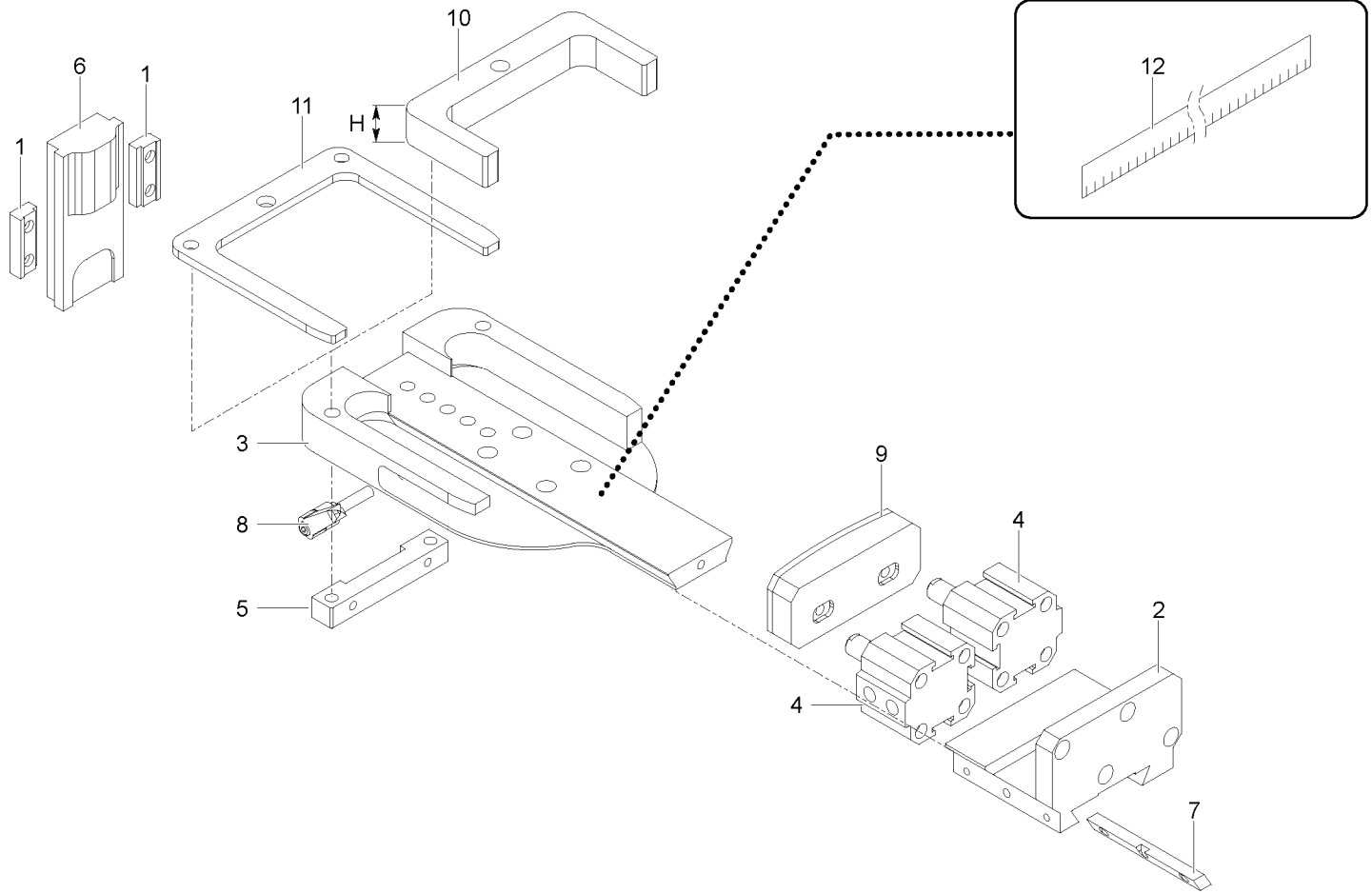
POSITION	DRAWING/COMPONENT	DESCRIPTION
1	0705A0096	SUPPORT
2	0716A0013	CYLINDER LINER
3	0815A0233	PISTON
4	0820A0437	PIN
5	0802A0036	GIB
7	311025500	SEAL RING
8	2801A0418	SPRING FF250607
8	2801A0292	SPRING D12500
9	2914A1125	SLIDE BLOCK BRX25BHZ1
10	1219A0003	SCRAPER
11	0806A0570	SPACER
12	0716A0014	CYLINDER LINER
19	0814A0909	PLATE
20	241402200	FLOW REGULATOR F=M5
21	0804A0038	NUT
23	1226A0013V	NONIUS
24	1226A0012V	NONIUS



- 1 0905A1685
- 2 0820A0488
- 3 0801A0310
- 4 0820A0493
- 5 0801A0308
- 6 0801A0309
- 7 1419A0048
- 8 1419A0047
- 9 311000400
- 10 0804A0296
- 11 1419A0069
- 12 2807A0009

E0332A01 - CLAMP - 69371\_ALL - ROVER A 03-12-2008

POSITION	DRAWING/COMPONENT	DESCRIPTION
1	0905A1685	SUPPORT
2	0820A0488	PIN
3	0801A0310	RING
4	0820A0493	DOWEL
5	0801A0308	RING
6	0801A0309	RING
7	1419A0048	GASKET
8	1419A0047	GASKET
9	311000400	RING
10	0804A0296	SCREW
11	1419A0069	GASKET
12	2807A0009	RING

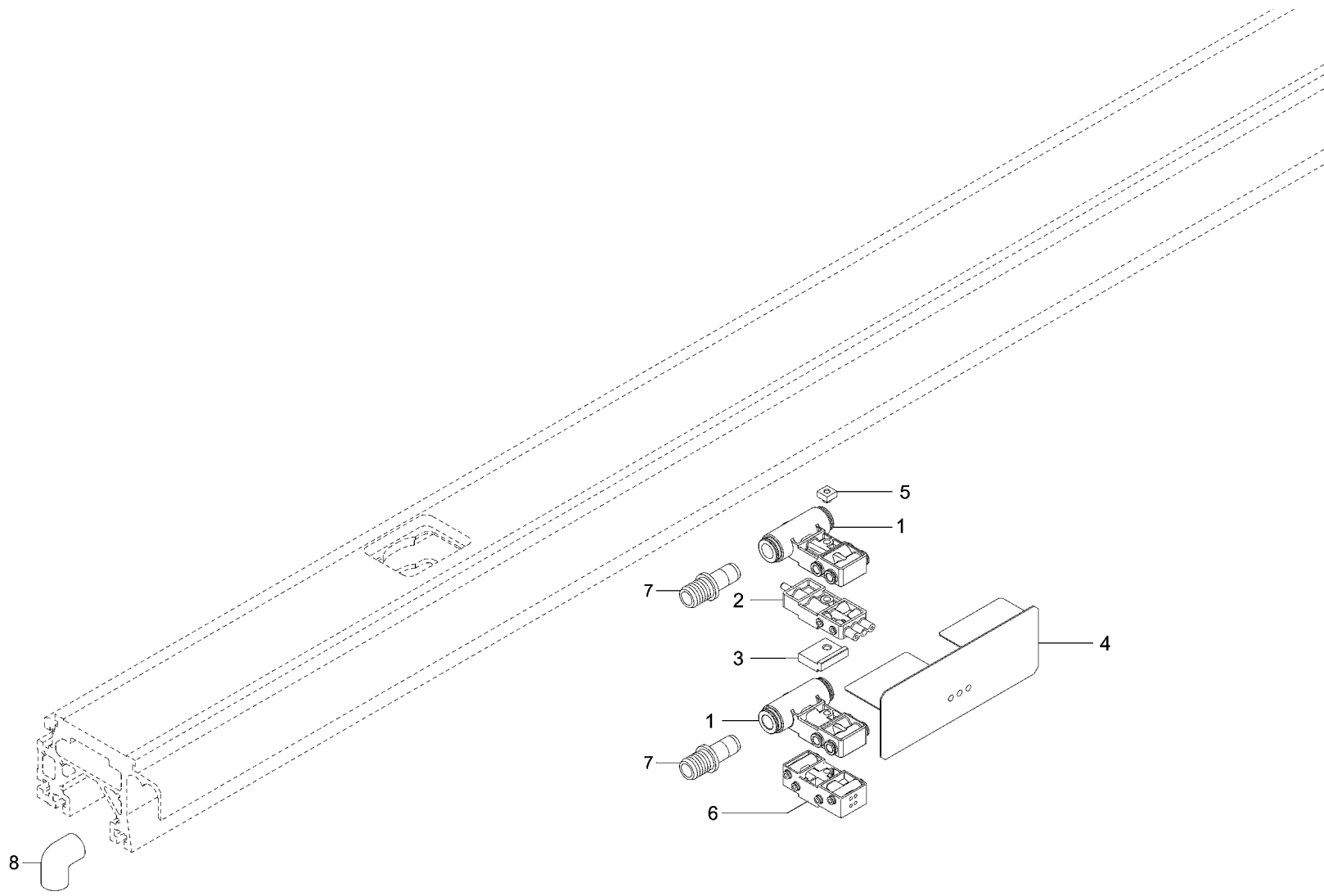


- 1 0814A1406
- 2 0911A0425
- 3 0905A1835
- 4 2419A0096
- 5 0814A1411
- 6 0928A0015
- 7 1102A0003
- 8 2713A0033
- 9 1728A0001
- 10 0906A0192 - H=20
- 10 0806A0560 - H=15
- 10 0806A0412 - H=10
- 11 0806A0297 - H=5 mm
- 12 1426A0032

E0333A00 - CLAMP - 69371\_ALL - ROVER A 03-12-2008

POSITION	DRAWING/COMPONENT	DESCRIPTION
1	0814A1406	BLOCK
2	0911A0425	SLIDE
3	0905A1835	SUPPORT
4	2419A0096	CYLINDER
5	0814A1411	BLOCK
6	0928A0015	STOP
7	1102A0003	GIB
8	2713A0033	HANDLE
9	1728A0001	PUSHER
10	0906A0192	SPACER H=20
10	0806A0560	SPACER H=15
10	0806A0412	SPACER H=10
11	0806A0297	SPACER H=5 MM
12	1426A0032	MILLIMETRE RULE

- 1 1713A0013
- 2 1413A0009
- 3 0906A0155
- 4 1208A1641
- 5 0804A0038
- 7 1104A0010

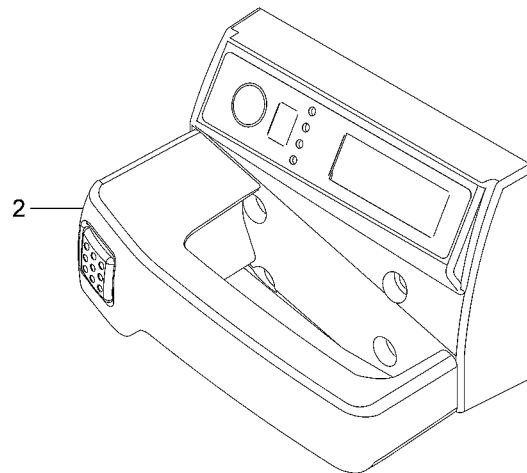
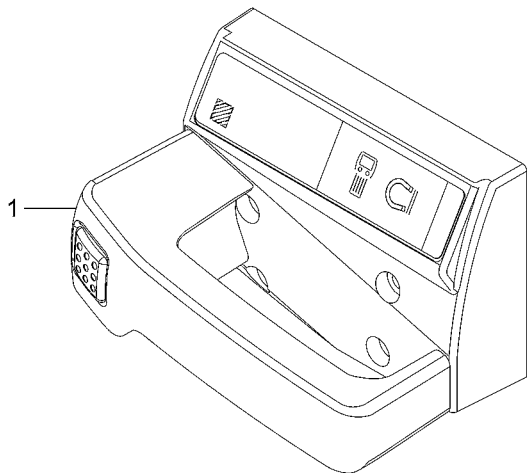


E0334A01 - DISTRIBUTOR - 69371\_ALL - ROVER A 03-12-2008

POSITION	DRAWING/COMPONENT	DESCRIPTION
1	1713A0013	DISTRIBUTOR
2	1413A0009	AIR DISTRIBUTOR
3	0906A0155	SPACER
4	1208A1641	COVER
5	0804A0038	NUT
7	1104A0010	CONNECTOR

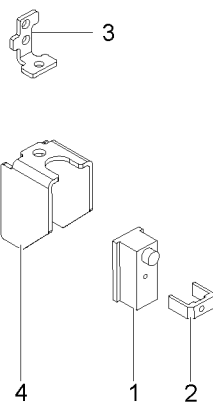


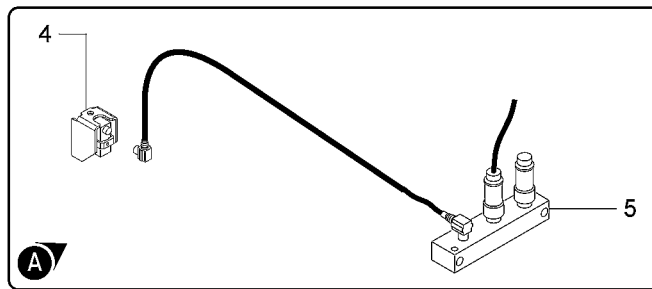
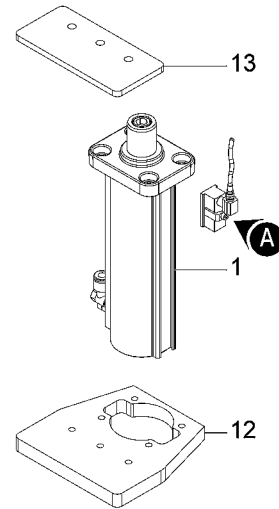
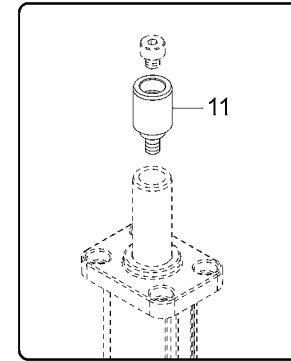
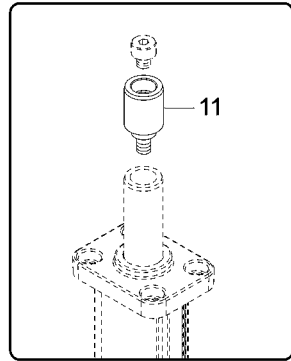
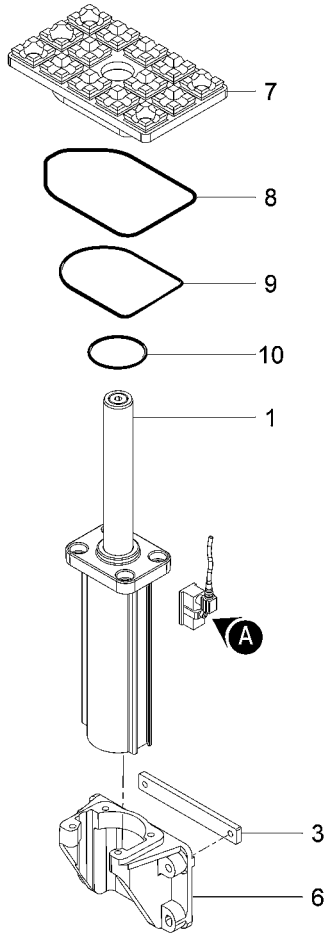
- 1 6424A0016
- 2 6424A0017



E0339A01 - HANDLE - 69371\_ALL - ROVER A 03-12-2008

POSITION	DRAWING/COMPONENT	DESCRIPTION
1	6424A0016	HANDLE
2	6424A0017	HANDLE



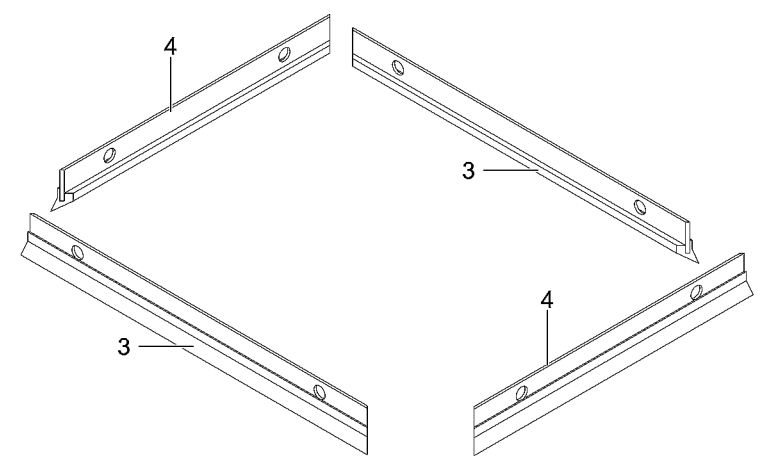
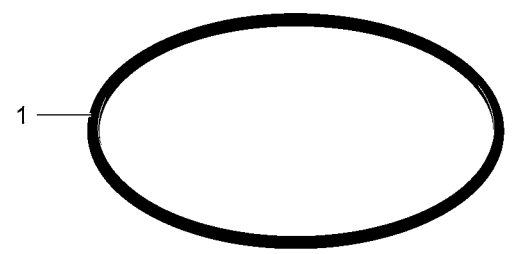
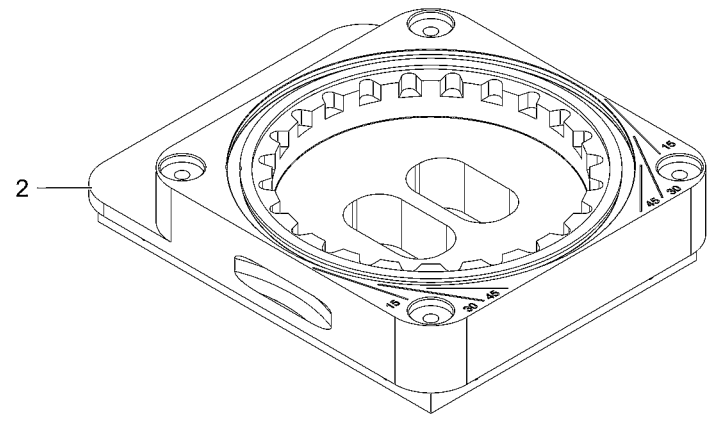


- 4 E0348A00
- 5 M0164A00
- 11 E0373A00

E0360A02 - STOP - 69371\_ALL - ROVER A 03-12-2008

POSITION	DRAWING/COMPONENT	DESCRIPTION
4	E0348A00	SENSOR
5	M0164A00	CONNECTOR
11	E0373A00	SPACER

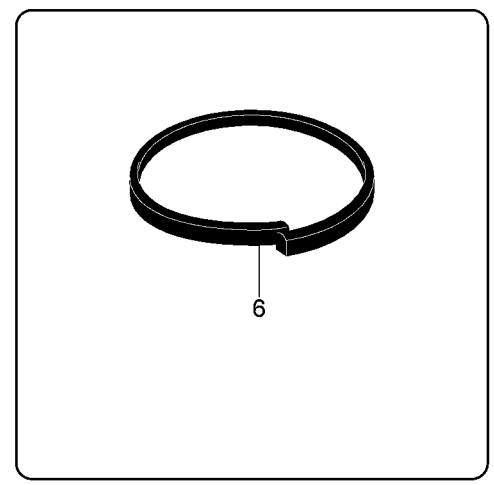
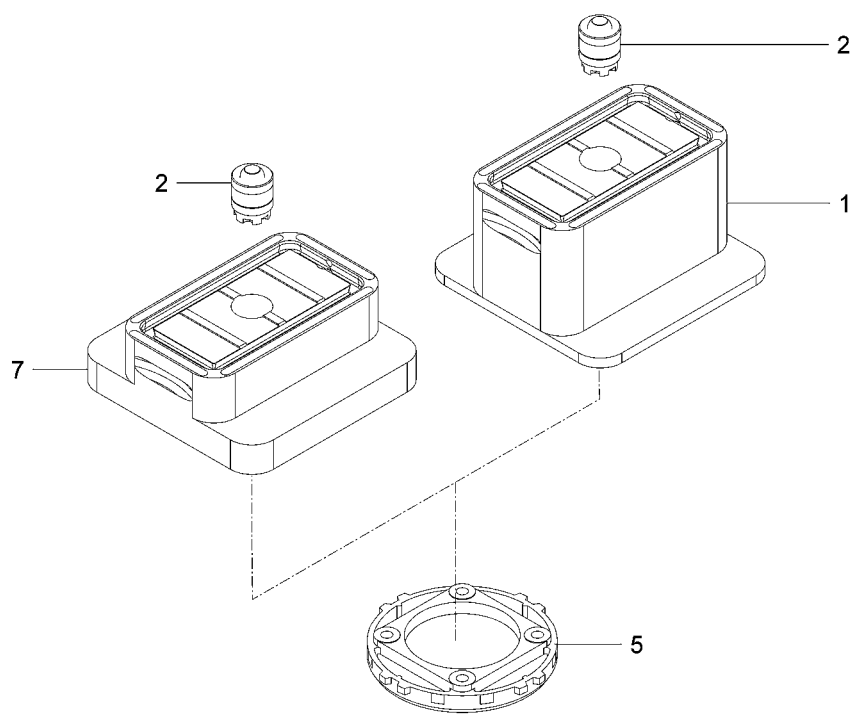
- 1 1419A0041
- 2 1614A0135
- 3 1419C0020
- 4 1419A0061



E0362A00 - CARRIAGE - 69371\_ALL - ROVER A 03-12-2008

POSITION	DRAWING/COMPONENT	DESCRIPTION
1	1419A0041	GASKET
2	1614A0135	SUPPORT
3	1419C0020	GASKET
4	1419A0061	GASKET

- 1 1614A0166 - 131,5x75x74
- 2 1704A0012
- 5 1405A0013
- 6 3123A0076
- 7 1614A0151

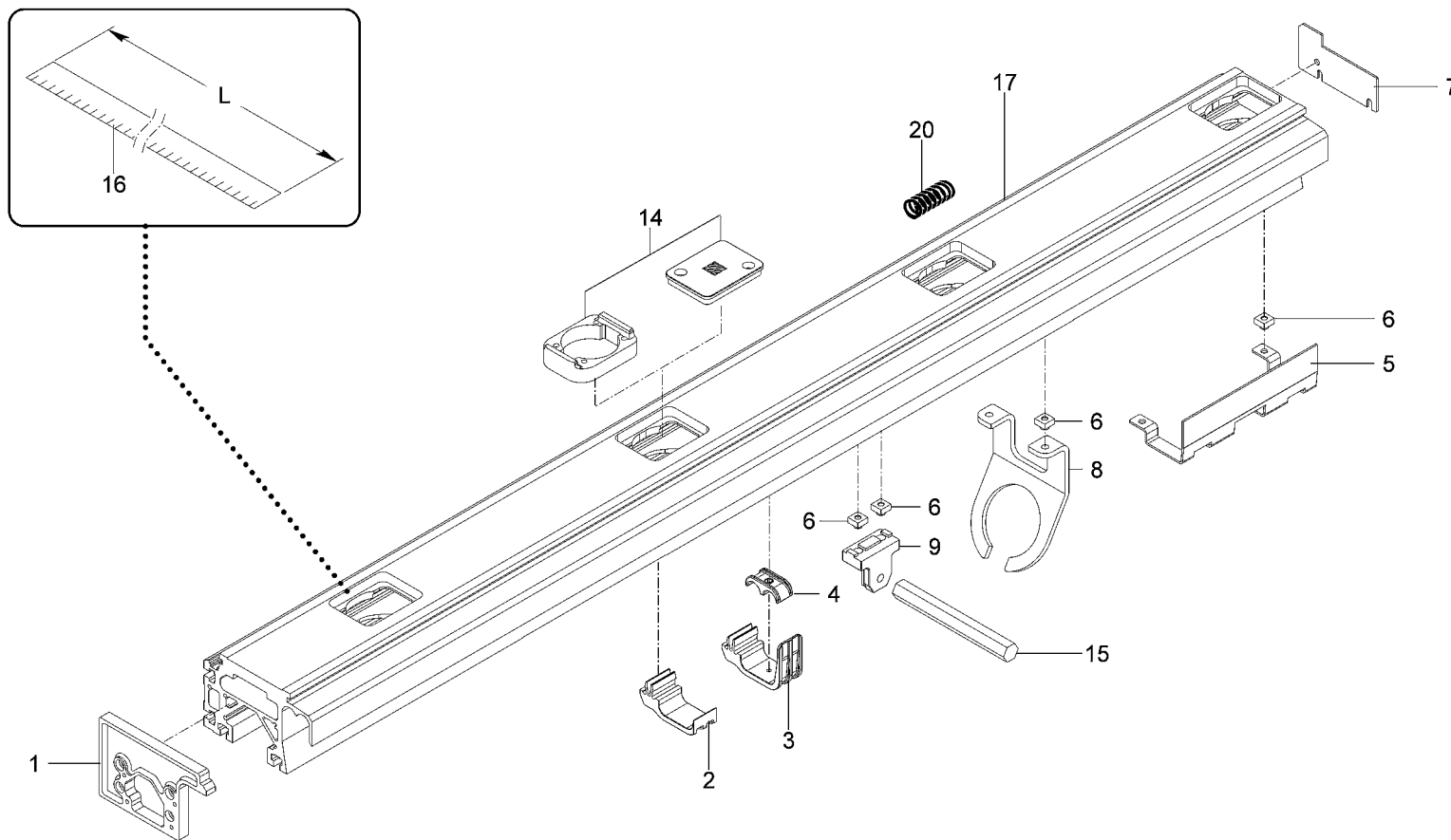




E0363A02 - SHAPEABLE SUCTION CUP - 69371\_ALL - ROVER A 03-12-2008

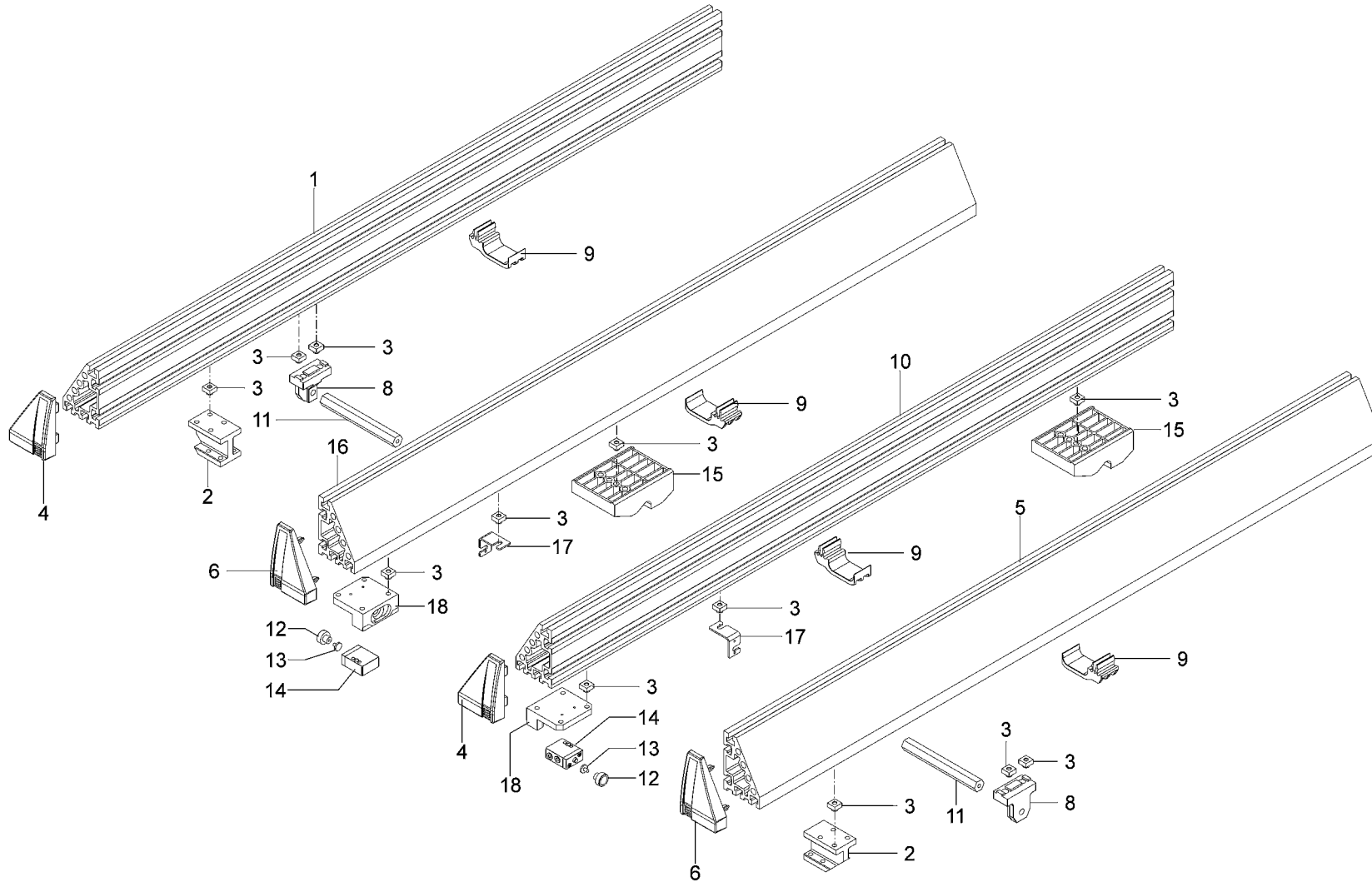
POSITION	DRAWING/COMPONENT	DESCRIPTION
1	1614A0166	SUCTION CUP 131,5X75X74
2	1704A0012	SHUTTER
5	1405A0013	SUPPORT
6	3123A0076	GASKET
7	1614A0151	PLATE

- 1 0906A0086
- 2 1405A0044
- 3 1405A0036
- 4 1414A0223
- 5 1205A1201
- 6 0804A0038
- 7 1208A1083 - ATS-EPS
- 7 1208A1765 - CTS
- 8 1205A0899
- 9 0905A1854
- 14 E0280A00
- 15 E0326A00
- 16 E0273A00
- 17 E0327A00
- 20 E0388A00



E0364A03 - WORK TABLE - ATS - 69371\_ALL - ROVER A 03-12-2008

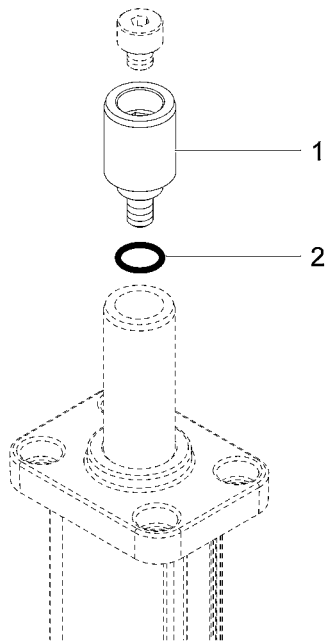
POSITION	DRAWING/COMPONENT	DESCRIPTION
1	0906A0086	SPACER
2	1405A0044	SUPPORT
3	1405A0036	SUPPORT
4	1414A0223	BRACKET
5	1205A1201	SUPPORT
6	0804A0038	NUT
7	1208A1083	COVER ATS-EPS
7	1208A1765	COVER CTS
8	1205A0899	SUPPORT
9	0905A1854	SUPPORT
14	E0280A00	PLUG
15	E0326A00	SPACER
16	E0273A00	MILLIMETRE RULE
17	E0327A00	WORK TABLE
20	E0388A00	SPRING

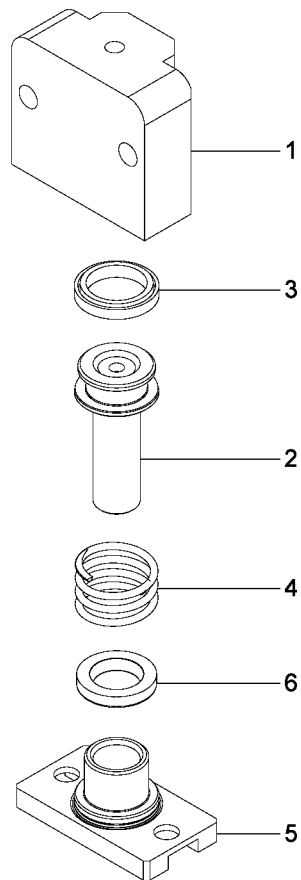


- 1 0905A1824 - L=1250
- 2 0905A1864
- 3 0804A0038
- 4 1401A0059 - SX
- 5 0905A1825 - L=1250
- 6 1401A0060 - DX
- 8 0905A1854
- 9 1405A0044
- 10 0905A1820
- 11 E0326A00
- 12 2428A0200
- 13 242800800
- 14 2413A0155
- 15 1414A0263
- 16 0905A1821
- 17 1214A1037
- 18 0905A1808

## E0365A03 - SIDE WORK TABLE - 69371\_ALL - ROVER A 03-12-2008

POSITION	DRAWING/COMPONENT	DESCRIPTION
1	0905A1824	SUPPORT L=1250
2	0905A1864	SUPPORT
3	0804A0038	NUT
4	1401A0059	PLUG SX
5	0905A1825	SUPPORT L=1250
6	1401A0060	PLUG DX
8	0905A1854	SUPPORT
9	1405A0044	SUPPORT
10	0905A1820	SUPPORT
11	E0326A00	SPACER
12	2428A0200	PUSH BUTTON
13	242800800	WASHER
14	2413A0155	VALVE
15	1414A0263	PLATE
16	0905A1821	SUPPORT
17	1214A1037	PLATE
18	0905A1808	SUPPORT



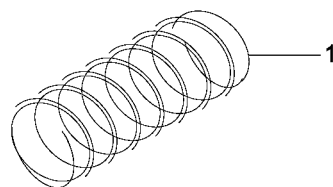


- 1 0916A0130
- 2 0820A0438
- 3 3102A0013
- 4 2801A0292 - D12500
- 4 2801A0418 - FF250607
- 5 0717A0028
- 6 311401300 - GR 10-17-3

E0387A00 - LOCKING UNIT - 69371\_ALL - ROVER A 03-12-2008

POSITION	DRAWING/COMPONENT	DESCRIPTION
1	0916A0130	CYLINDER LINER
2	0820A0438	PIN
3	3102A0013	GASKET
4	2801A0292	SPRING D12500
4	2801A0418	SPRING FF250607
5	0717A0028	BUSHING
6	311401300	RING GR 10-17-3



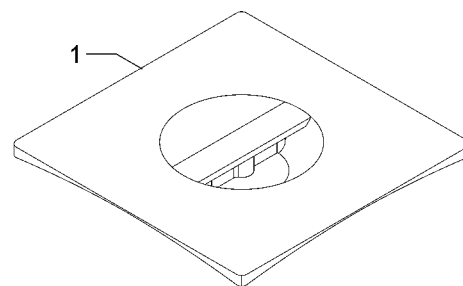


- 1 2802A0076 - L=700
- 1 2802A0053 - L=650
- 1 2802A0094 - L=890
- 1 2802A0042 - L=1000
- 1 2802A0075 - L=600
- 1 2802A0081 - L=1150
- 1 2802A0088 - L=570
- 1 2802A0097 - L=1160
- 1 2802A0077 - L=800
- 1 2802A0090 - L=780
- 1 2802A0092 - L=820
- 1 2802A0089 - L=690
- 1 2802A0087 - L=620

E0388A00 - SPRING - 69371\_ALL - ROVER A 03-12-2008

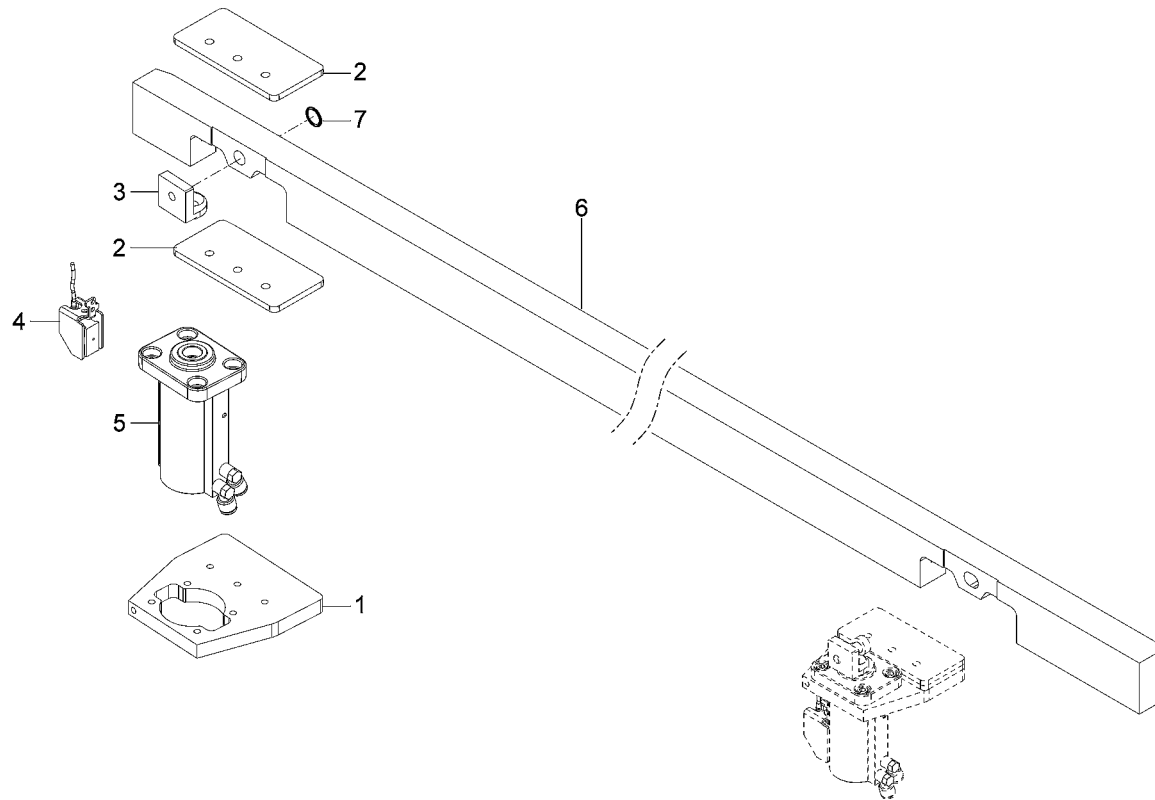
POSITION	DRAWING/COMPONENT	DESCRIPTION
1	2802A0076	SPRING L=700
1	2802A0053	SPRING L=650
1	2802A0094	SPRING L=890
1	2802A0042	SPRING L=1000
1	2802A0075	SPRING L=600
1	2802A0081	SPRING L=1150
1	2802A0088	SPRING L=570
1	2802A0097	SPRING L=1160
1	2802A0077	SPRING L=800
1	2802A0090	SPRING L=780
1	2802A0092	SPRING L=820
1	2802A0089	SPRING L=690
1	2802A0087	SPRING L=620

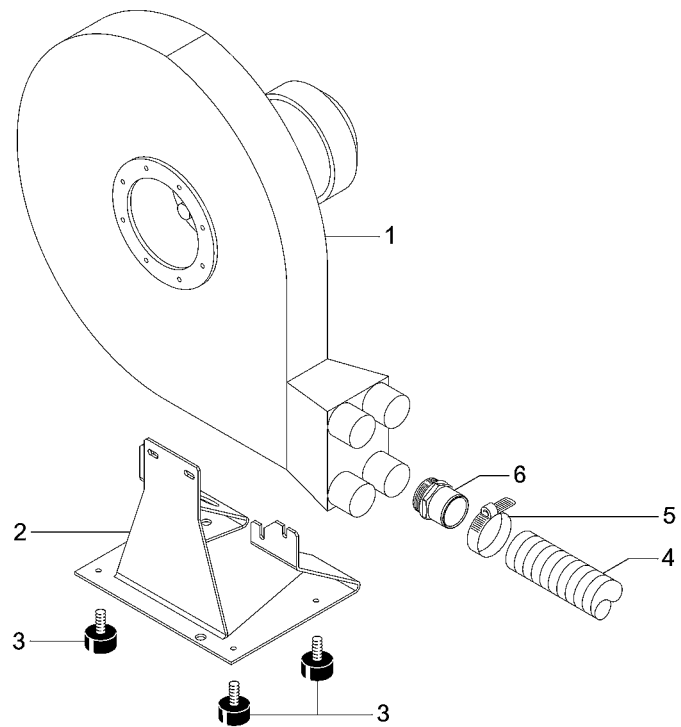
1 1701A0004



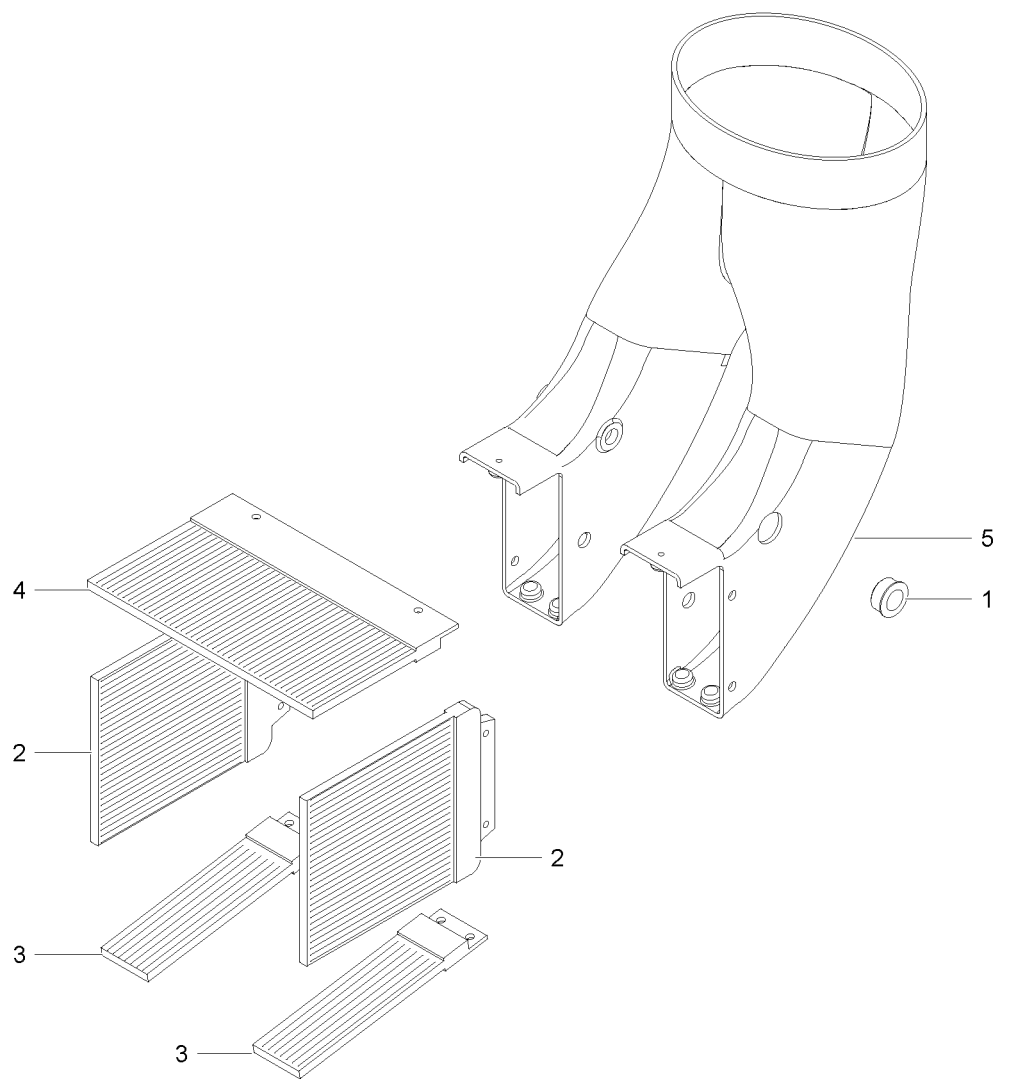
E0389A00 - PLUG - 69371\_ALL - ROVER A 03-12-2008

POSITION	DRAWING/COMPONENT	DESCRIPTION
1	1701A0004	PLUG





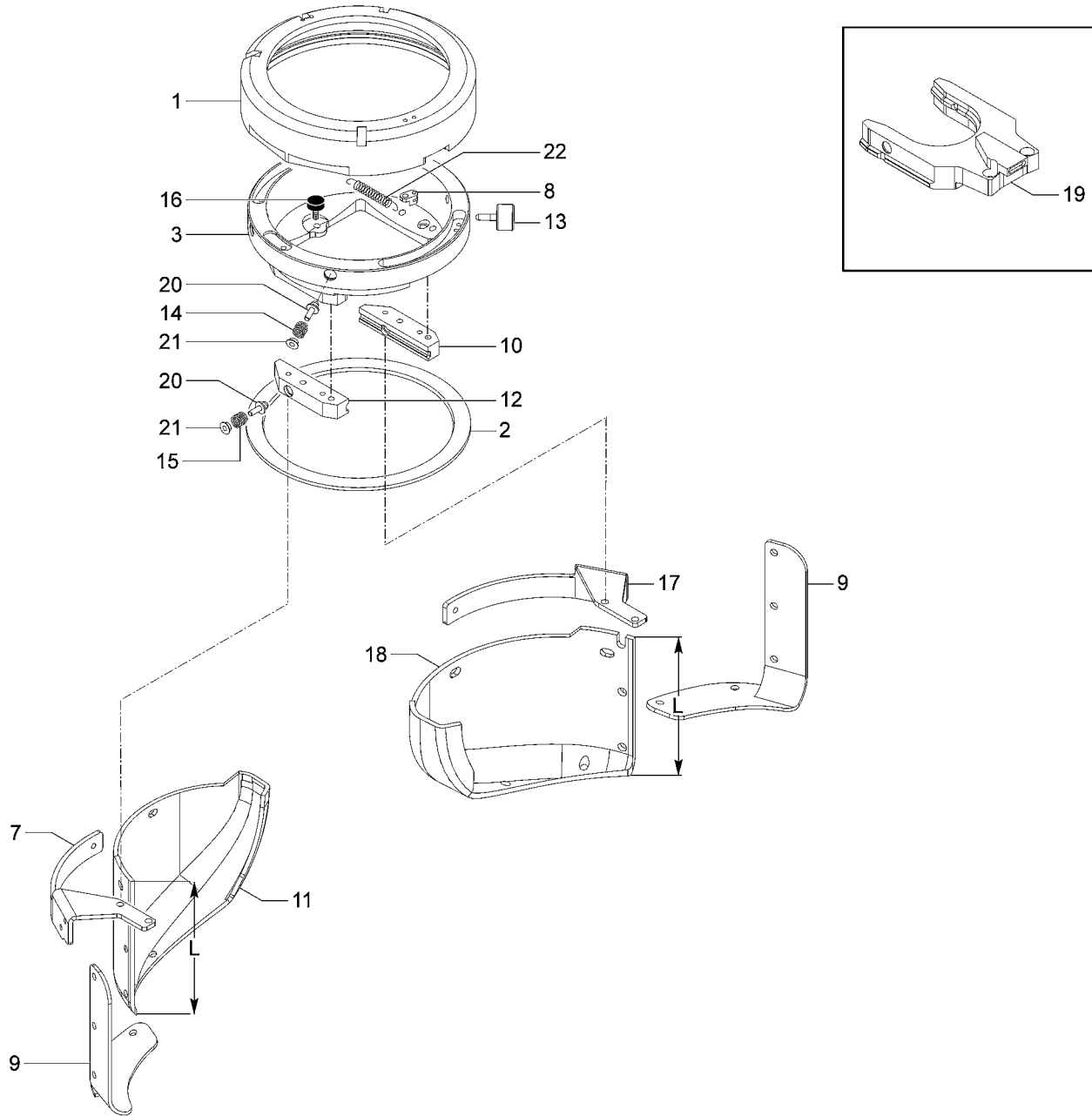
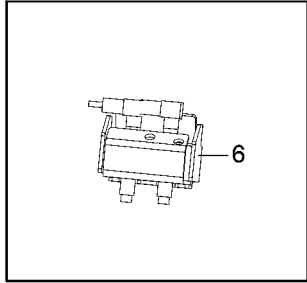
- 1 240322200 - D=20.6
- 2 1432A0382
- 3 1432A0379
- 4 1432A0342
- 5 1412A0097



G0157A00 - SUCTION - 69371\_ALL - ROVER A 03-12-2008

POSITION	DRAWING/COMPONENT	DESCRIPTION
1	240322200	PLUG D=20.6
2	1432A0382	BRUSH
3	1432A0379	BRUSH
4	1432A0342	BRUSH
5	1412A0097	SUCTION MANIFOLD

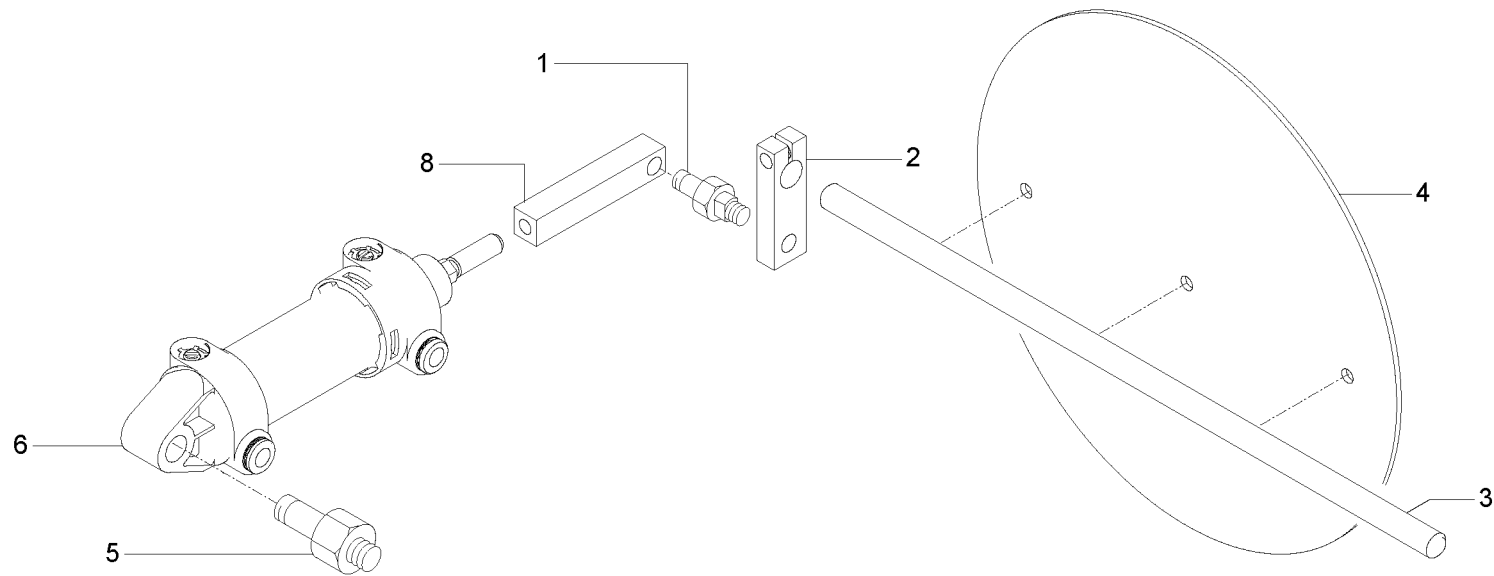




- 1 0801A0479
- 2 1419A0050
- 3 1705A0184
- 6 M0241A00
- 7 1205A1962 - DX
- 8 0814A1391
- 9 1408A0417
- 10 1705A0203
- 11 1408A0647 - DX L=133
- 12 1705A0204
- 13 0820A0476
- 14 2801A0016 - De=9,5 Di=7..
- 15 280107600
- 16 201800600 - 20x8,5
- 17 1205A1963 - SX
- 18 1408A0649 - SX L=133
- 19 B0415A00
- 20 0820A0512
- 21 1017A0050
- 22 2802A0047 - T31720

## G0160A02 - CHIP DEFLECTOR - 69371\_ALL - ROVER A 03-12-2008

POSITION	DRAWING/COMPONENT	DESCRIPTION
1	0801A0479	RING
2	1419A0050	GASKET
3	1705A0184	CASING
6	M0241A00	SENSOR
7	1205A1962	SUPPORT DX
8	0814A1391	PLATE
9	1408A0417	CURTAIN GUARD
10	1705A0203	SUPPORT
11	1408A0647	CASING DX L=133
12	1705A0204	SUPPORT
13	0820A0476	PIN
14	2801A0016	SPRING DE=9,5 DI=7,5
15	280107600	SPRING
16	201800600	BUMPER 20X8,5
17	1205A1963	SUPPORT SX
18	1408A0649	CASING SX L=133
19	B0415A00	COLLET
20	0820A0512	PIN
21	1017A0050	BUSHING
22	2802A0047	SPRING T31720

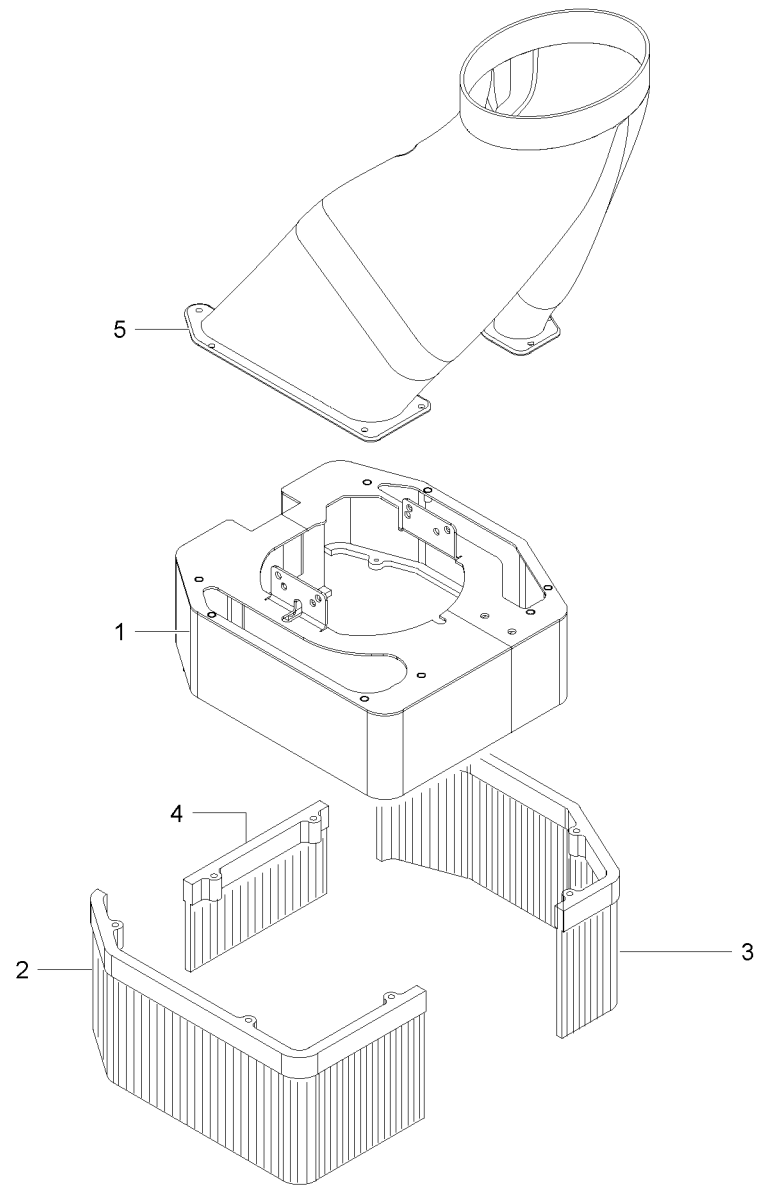


- 1 0820A0350
- 2 0824A0056
- 3 0814A1262 - L=250
- 3 0814A1260 - L=200
- 4 1224A0017 - D=150
- 4 1224A0019 - D=200
- 5 082030700
- 6 1415A0012
- 8 0814A1271

G0163A00 - SUCTION - 69371\_ALL - ROVER A 03-12-2008

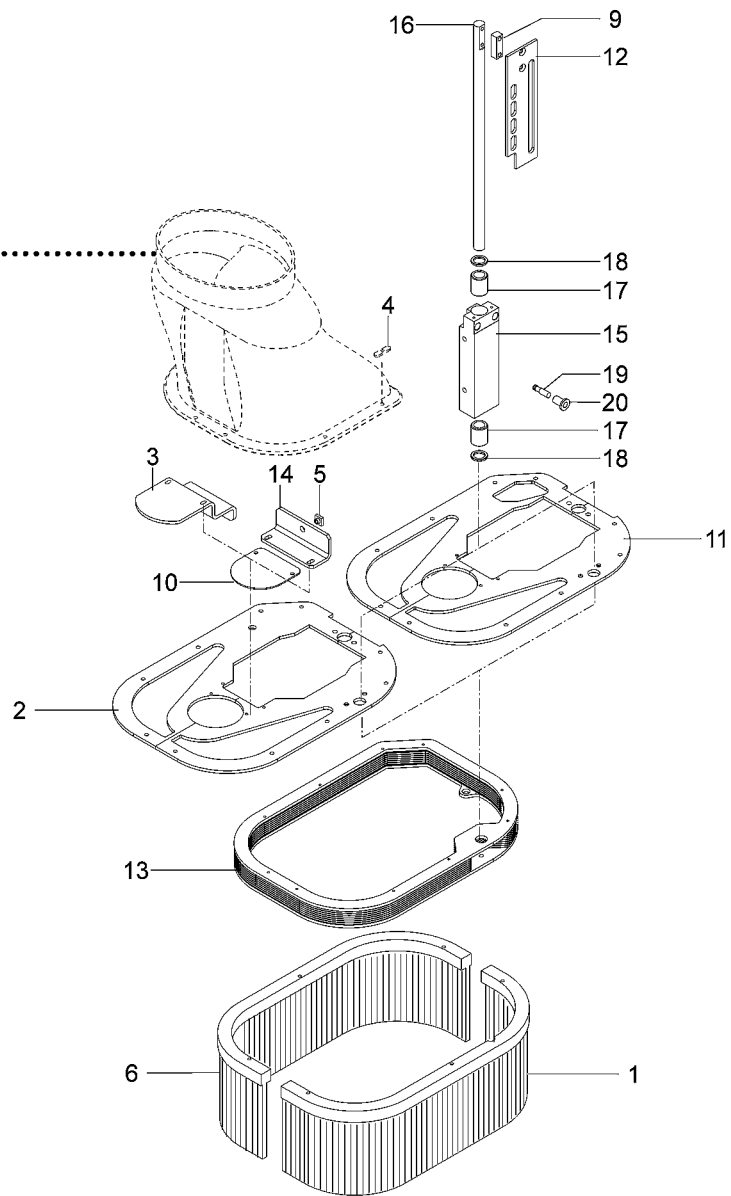
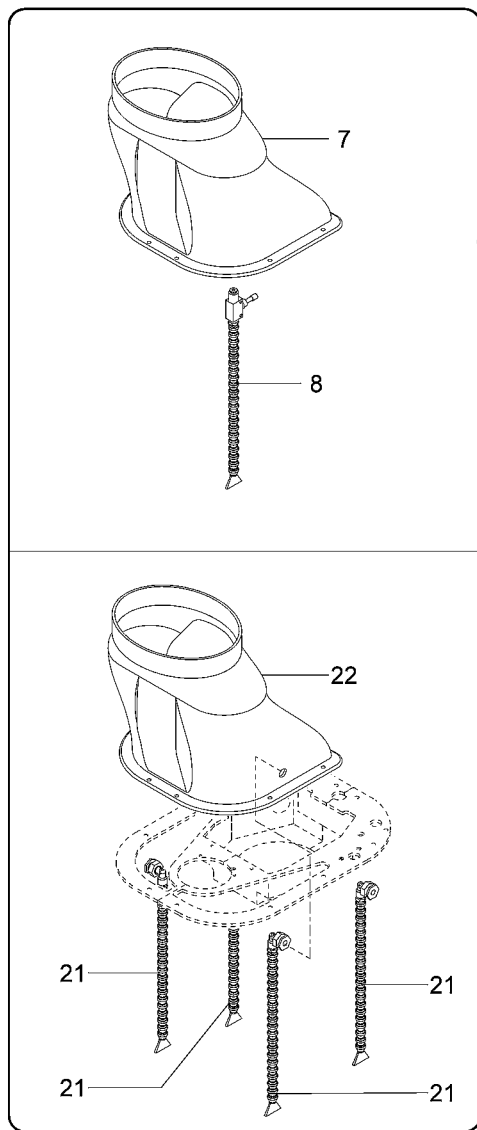
POSITION	DRAWING/COMPONENT	DESCRIPTION
1	0820A0350	PIN
2	0824A0056	LEVER
3	0814A1262	BAR L=250
3	0814A1260	BAR L=200
4	1224A0017	PLATE D=150
4	1224A0019	PLATE D=200
5	082030700	PIN
6	1415A0012	CYLINDER
8	0814A1271	BLOCK

- 1 1712A2090
- 2 1432A0376
- 3 1432A0377
- 4 1432A0378
- 5 1412A0096



G0164A00 - SUCTION - 69371\_ALL - ROVER A 03-12-2008

POSITION	DRAWING/COMPONENT	DESCRIPTION
1	1712A2090	SUCTION BOX
2	1432A0376	BRUSH
3	1432A0377	BRUSH
4	1432A0378	BRUSH
5	1412A0096	SUCTION MANIFOLD



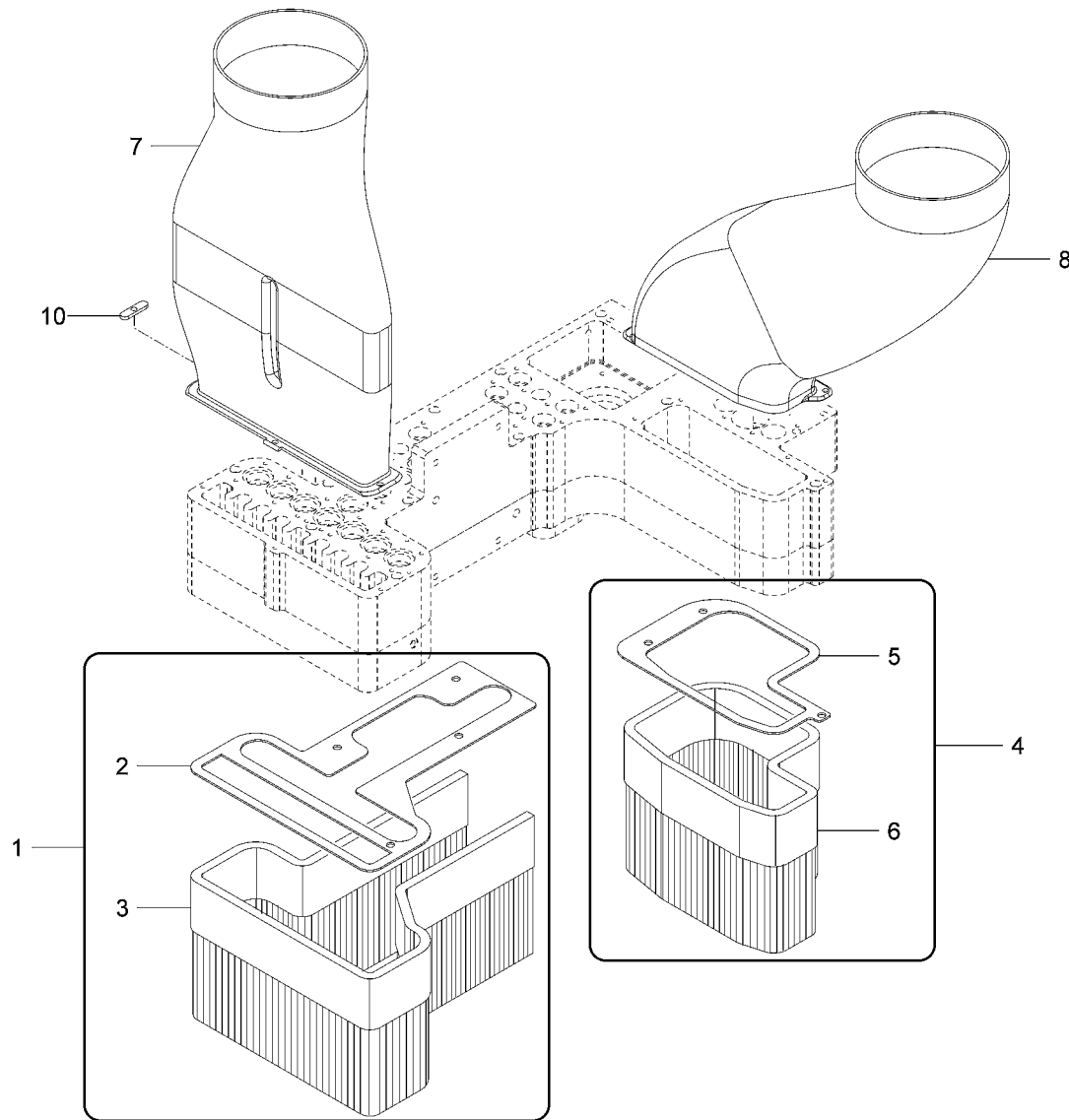
- 1 1432A0414 - H=130
- 1 1432A0357 - H=150
- 2 1714A0102
- 3 1205A1751
- 4 0814A1104
- 5 0804A0222
- 6 1432A0392
- 7 1412A0078
- 8 N0110A01
- 9 0806A0444
- 10 1208A1473
- 11 1714A0103
- 12 1214A0626
- 13 1608A0053
- 14 1205A1479
- 15 0914A0619
- 16 0814A1101 - D=16 L=394
- 17 292501700 - 0658-216-40..
- 18 3120A0013
- 19 2164A0355
- 20 1417A0021
- 21 N0382A00
- 22 1412A0114

G0182A01 - SUCTION - 69371\_ALL - ROVER A 03-12-2008

POSITION	DRAWING/COMPONENT	DESCRIPTION
1	1432A0414	BRUSH H=130
1	1432A0357	BRUSH H=150
2	1714A0102	PLATE
3	1205A1751	BRACKET
4	0814A1104	WASHER
5	0804A0222	NUT
6	1432A0392	BRUSH
7	1412A0078	SUCTION MANIFOLD
8	N0110A01	BLOWER
9	0806A0444	SPACER
10	1208A1473	COVER
11	1714A0103	PLATE
12	1214A0626	PLATE
13	1608A0053	BLOWER
14	1205A1479	FIXING PLATE
15	0914A0619	BLOCK
16	0814A1101	BAR D=16 L=394
17	292501700	BALL SLEEVE 0658-216-40 STAR
18	3120A0013	GASKET
19	2164A0355	SENSOR
20	1417A0021	BUSHING
21	N0382A00	BLOWER
22	1412A0114	MANIFOLD



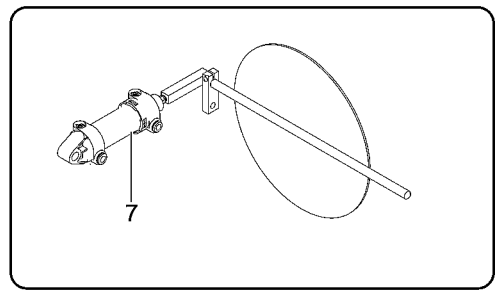
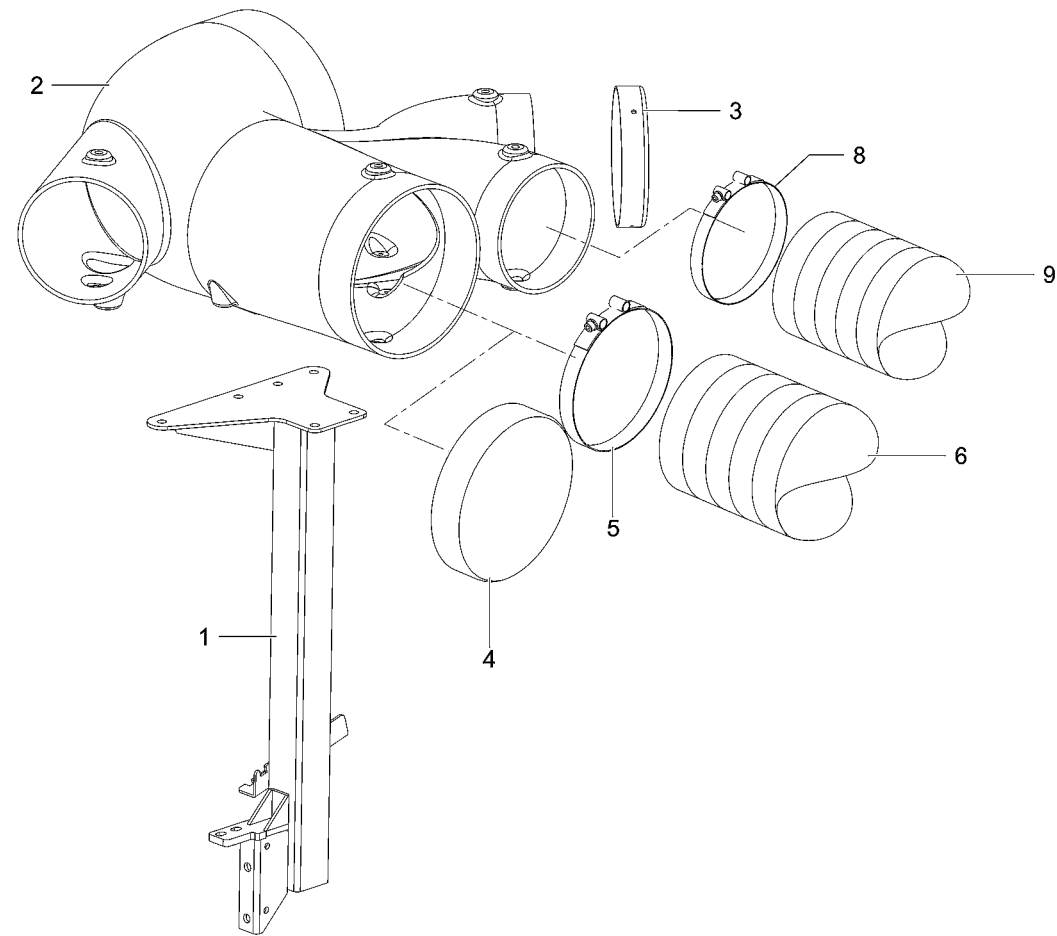
- 1 1732A0008
- 2 1214A1260
- 3 1432A0400
- 4 1732A0009
- 5 1214A1261
- 6 1432A0401
- 7 1412A0053
- 8 1412A0100
- 10 0814A1104



G0183A01 - SUCTION - 69371\_ALL - ROVER A 03-12-2008

POSITION	DRAWING/COMPONENT	DESCRIPTION
1	1732A0008	BRUSH
2	1214A1260	PLATE
3	1432A0400	BRUSH
4	1732A0009	BRUSH
5	1214A1261	PLATE
6	1432A0401	BRUSH
7	1412A0053	SUCTION MANIFOLD
8	1412A0100	SUCTION MANIFOLD
10	0814A1104	WASHER

- 1 1205A1741V
- 2 1412A0098
- 3 1401A0052
- 4 1401A0067
- 5 1727A0005 - D=200-190
- 6 2002A0026 - D=200 L=115..
- 7 G0163A00
- 8 1727A0004 - D=160-145
- 9 2002A0016 - D=150 L=120..
- 9 2002A0027 - D=150 L=850

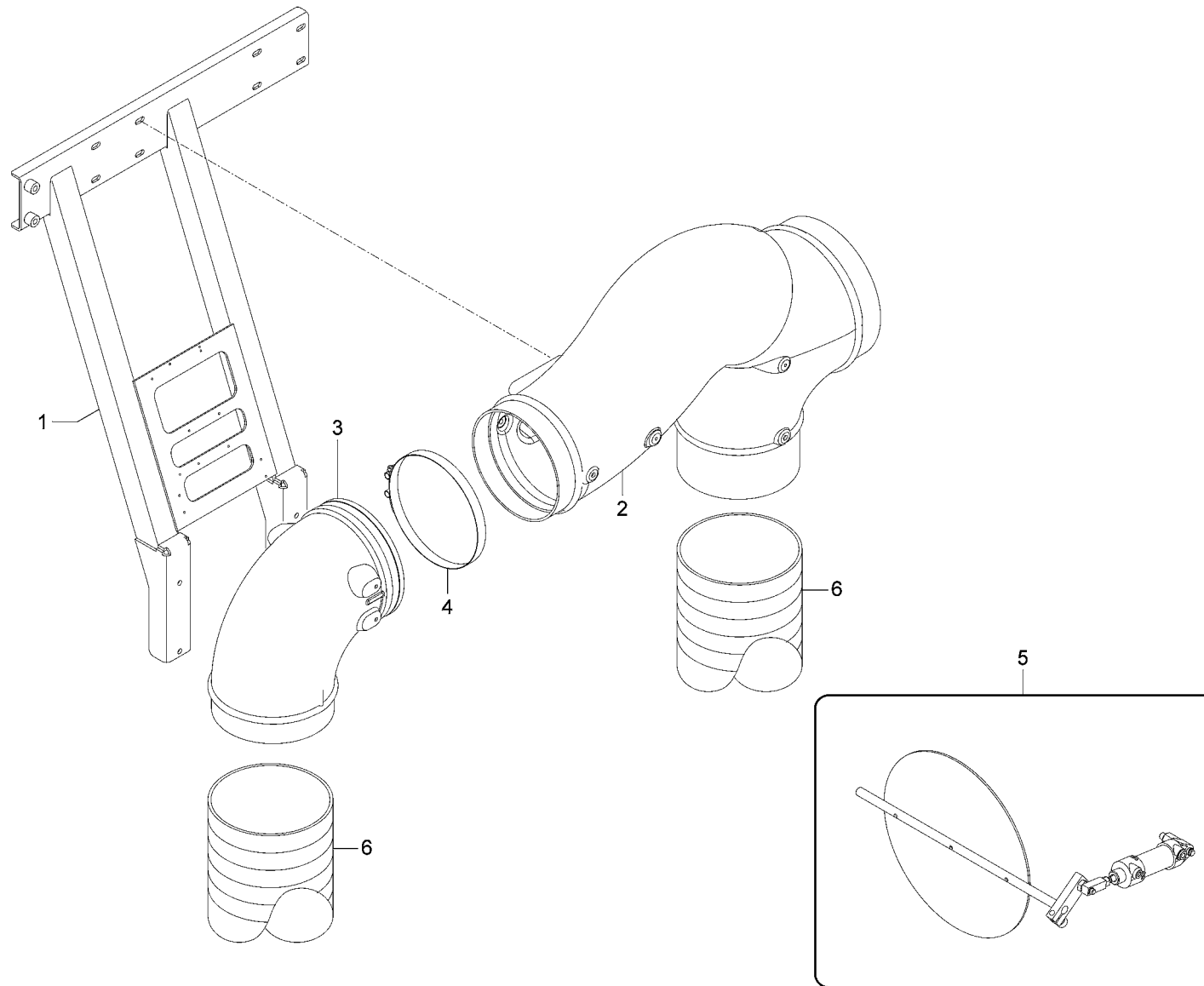


SUCTION - 69371\_ALL - ROVER A 03-12-2008

G0184 A  
00

G0184A00 - SUCTION - 69371\_ALL - ROVER A 03-12-2008

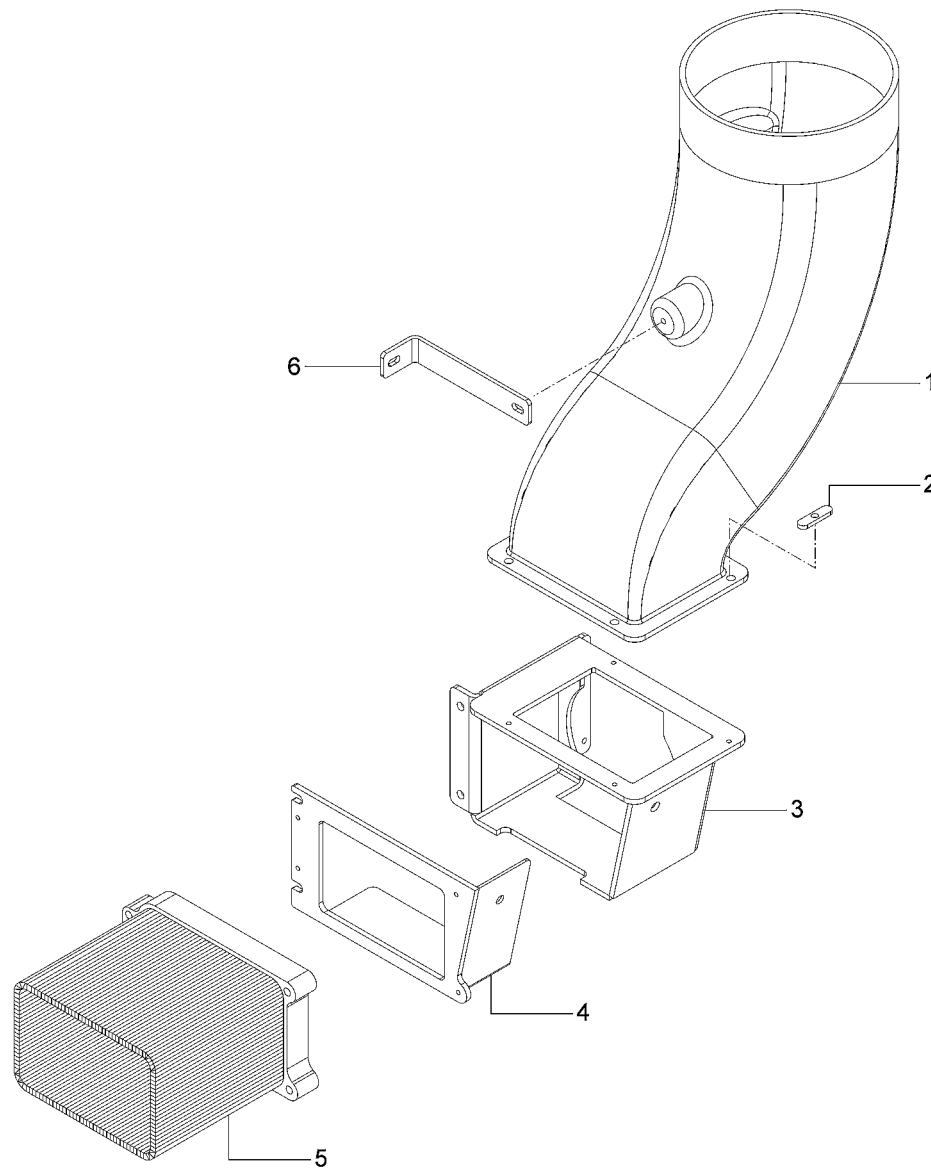
POSITION	DRAWING/COMPONENT	DESCRIPTION
1	1205A1741V	SUPPORT
2	1412A0098	SUCTION MANIFOLD
3	1401A0052	PLUG
4	1401A0067	PLUG
5	1727A0005	HOSE CLAMP D=200-190
6	2002A0026	FLEXIBLE PIPE D=200 L=1150
7	G0163A00	SUCTION
8	1727A0004	HOSE CLAMP D=160-145
9	2002A0016	PIPE D=150 L=1200
9	2002A0027	PIPE D=150 L=850



G0185A02 - SUCTION - 69371\_ALL - ROVER A 03-12-2008

POSITION	DRAWING/COMPONENT	DESCRIPTION
5	G0163A00	SUCTION

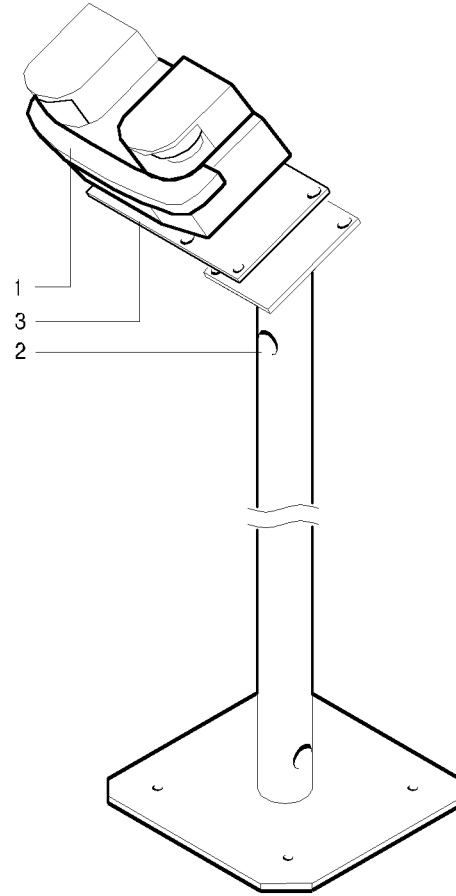
- 1 1412A0104
- 2 0814A1104
- 3 1212A0882
- 4 1208A2406
- 5 1432A0399
- 6 1214A1369



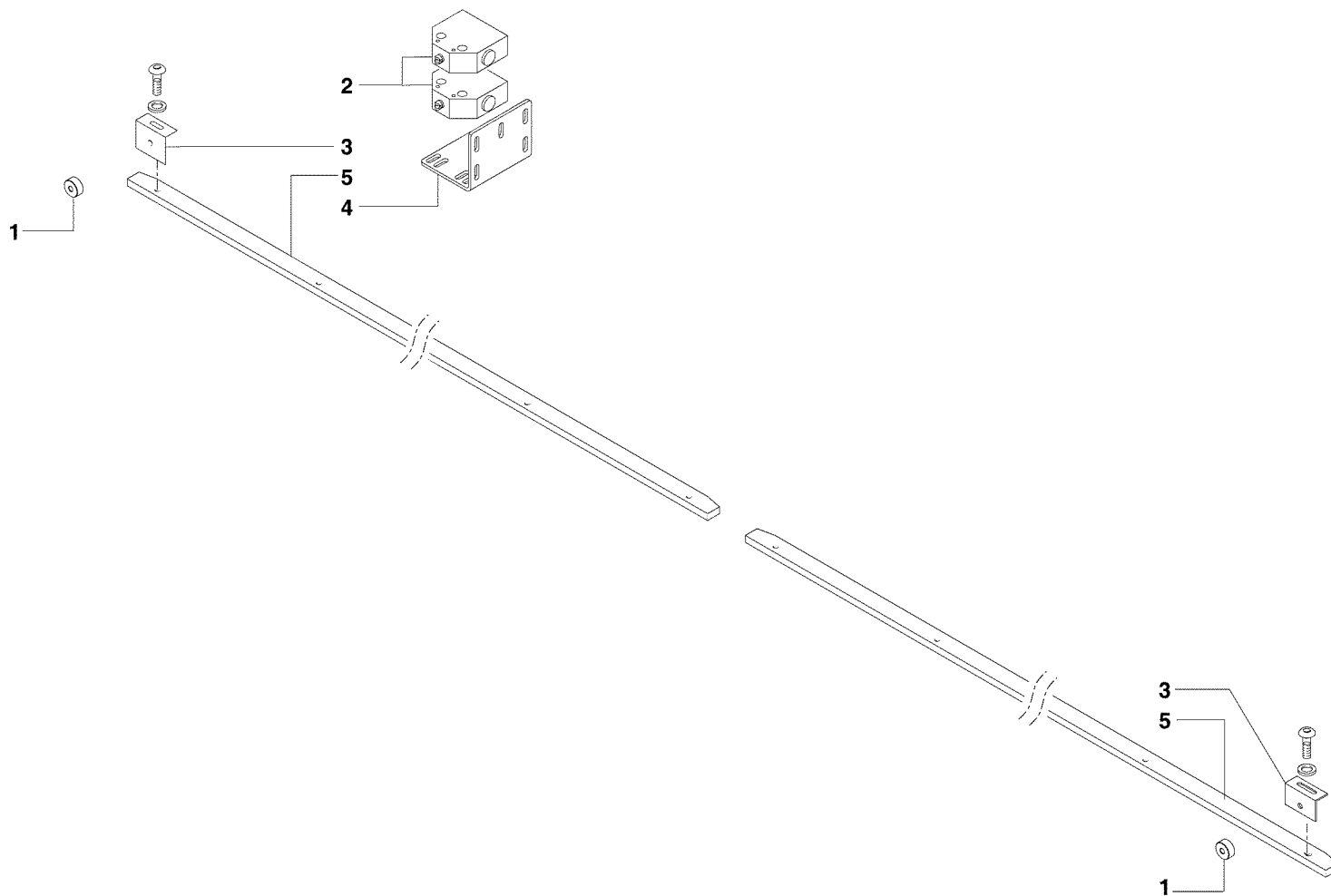
G0192A00 - SUCTION - 69371\_ALL - ROVER A 03-12-2008

POSITION	DRAWING/COMPONENT	DESCRIPTION
1	1412A0104	SUCTION MANIFOLD
2	0814A1104	WASHER
3	1212A0882	SUCTION BOX
4	1208A2406	COVER
5	1432A0399	BRUSH
6	1214A1369	BRACKET



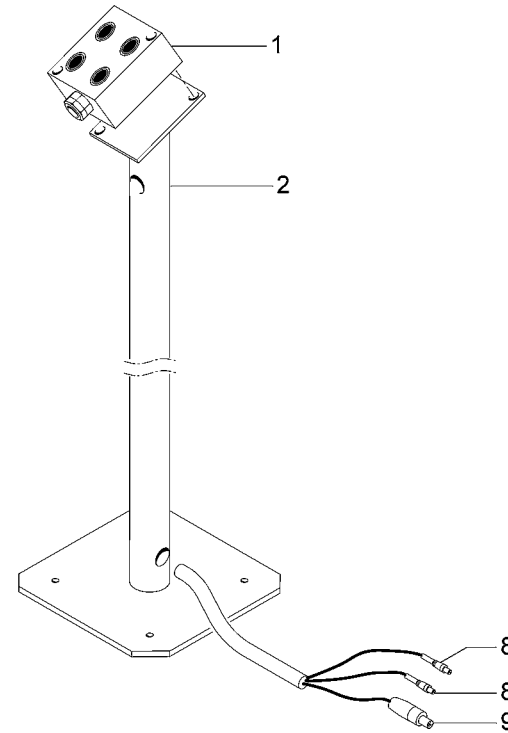
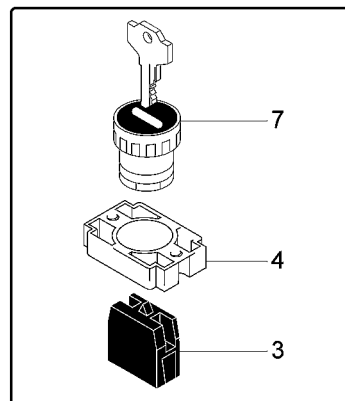
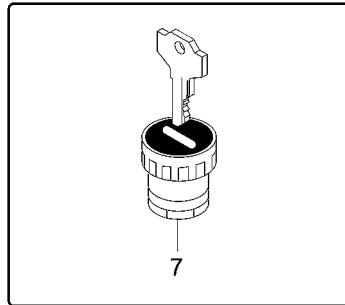
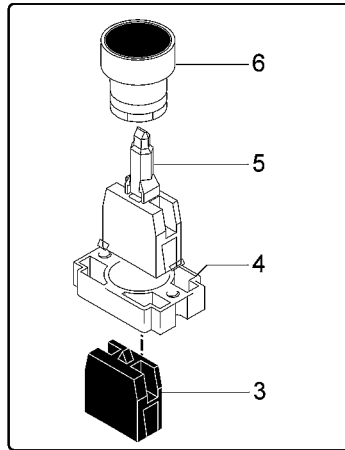


- 1 080633500
- 2 H0249A03
- 3 0905A1629
- 4 1205A1368
- 5 0809A0112 - L=2150



H0234A00 - SAFETY LIMIT SWITCH - 69371\_ALL - ROVER A 03-12-2008

POSITION	DRAWING/COMPONENT	DESCRIPTION
1	080633500	SPACER
2	H0249A03	SAFETY LIMIT SWITCH
3	0905A1629	SUPPORT
4	1205A1368	SUPPORT
5	0809A0112	CAM L=2150

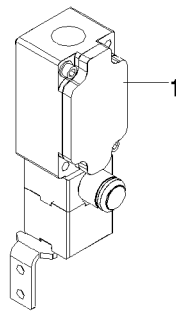


- 1 2165A0001
- 2 1205A0838V
- 3 2123A0065 - ZBE101
- 4 2123A0083 - ZB4-BZ009
- 5 2119A0002 - ZBVB3 24V
- 6 2118A0103 - ZB4BW333
- 7 2106A0093 - ZB4-BG4
- 8 6480A0131 - F=M8 POLE 3..
- 9 6480A0133 - F=M12 POLE ..

H0235A04 - BUTTON PAD - 69371\_ALL - ROVER A 03-12-2008

POSITION	DRAWING/COMPONENT	DESCRIPTION
1	2165A0001	CONNECTOR BLOCK
2	1205A0838V	SUPPORT
3	2123A0065	CONTACT ZBE101
4	2123A0083	BASE ZB4-BZ009
5	2119A0002	LAMP ZBVB3 24V
6	2118A0103	PUSH BUTTON ZB4BW333
7	2106A0093	SELECTOR ZB4-BG4
8	6480A0131	PLUG CONNECTOR F=M8 POLE 3-L=4,5M 3X0,35
9	6480A0133	PLUG CONNECTOR F=M12 POLE 5-L=4,5M 5X0,35

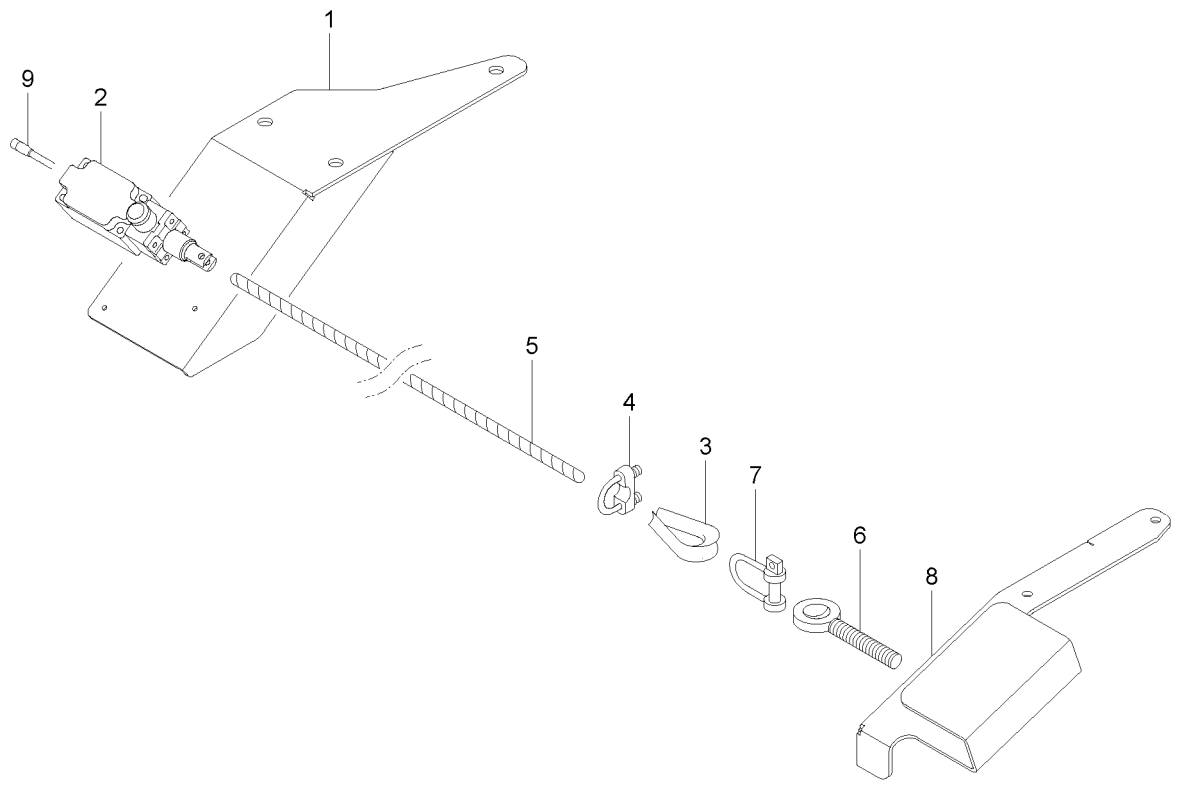
1 2104A0272



H0239A00 - SAFETY SWITCH - 69371\_ALL - ROVER A 03-12-2008

POSITION	DRAWING/COMPONENT	DESCRIPTION
1	2104A0272	LIMIT SWITCH

- 1 1205A1211V
- 2 2104A0250
- 3 200800100
- 4 200901200
- 5 271500700
- 6 2007A0001 - M8X40 UNI 6..
- 7 200900100
- 8 1205A0869V

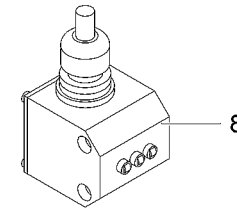
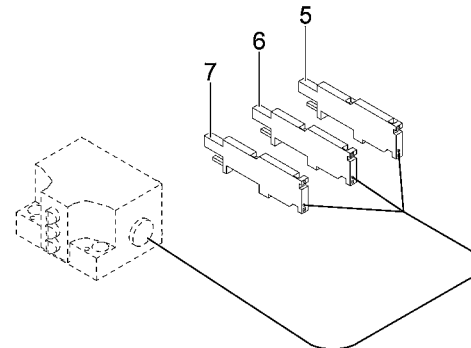
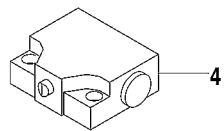
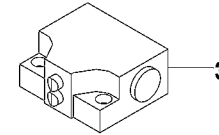
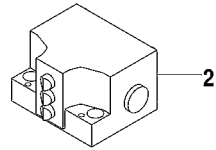
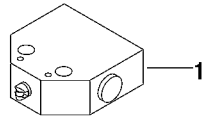




H0248A01 - EMERGENCY DEVICE - 69371\_ALL - ROVER A 03-12-2008

POSITION	DRAWING/COMPONENT	DESCRIPTION
1	1205A1211V	SUPPORT
2	2104A0250	LIMIT SWITCH
3	200800100	THIMBLE
4	200901200	TERMINAL
5	271500700	EMERGENCY CORD
6	2007A0001	TIGHTENER M8X40 UNI 6058
7	200900100	U-BOLTS
8	1205A0869V	SUPPORT

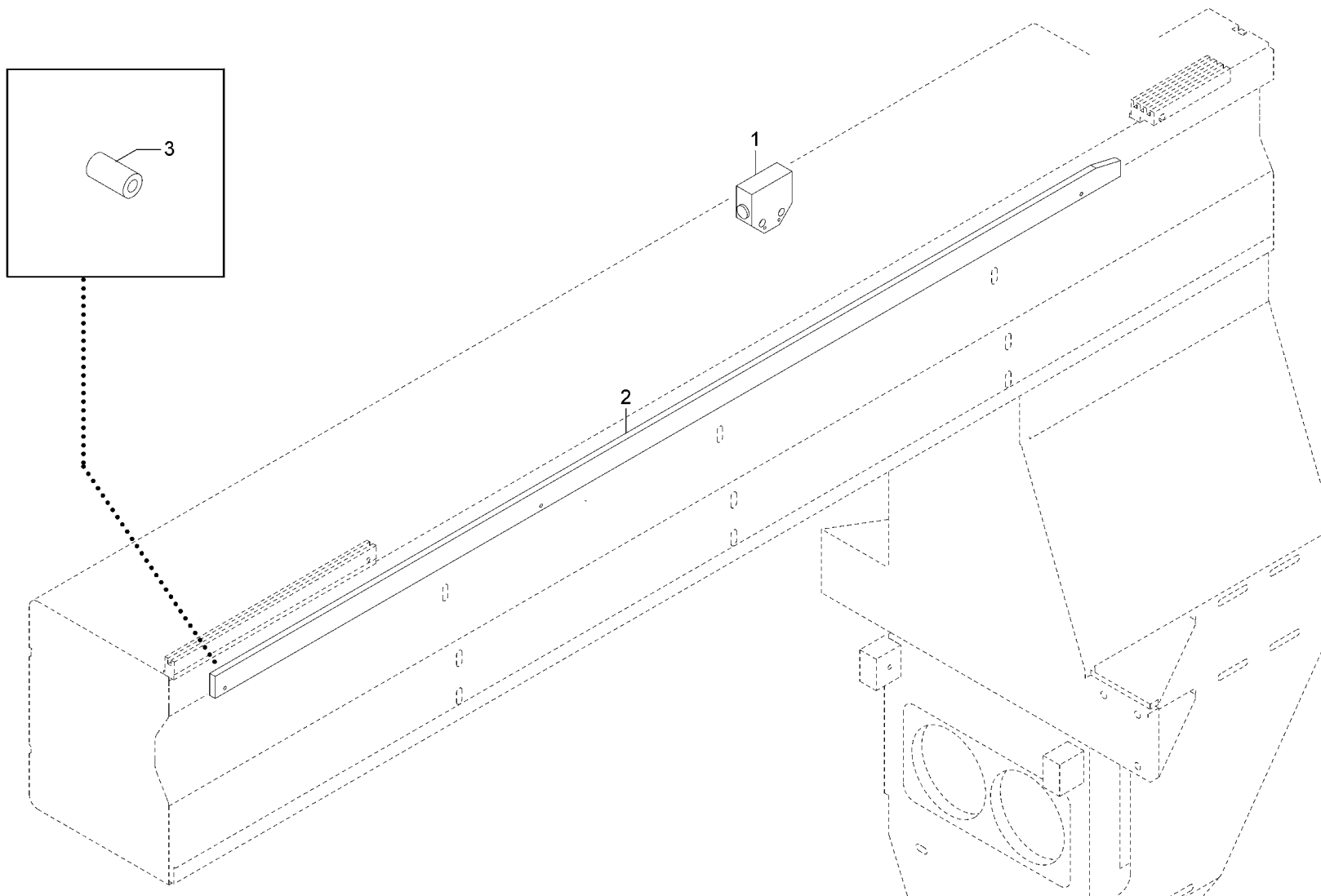
- 1 2104A0215 - BNS-813-FL-..
- 2 2104A0212 - BNS 819-B03..
- 3 2104A0211 - BNS 819-B02..
- 4 2104A0210 - BNS819-FD60



H0249A03 - SAFETY LIMIT SWITCH - 69371\_ALL - ROVER A 03-12-2008

POSITION	DRAWING/COMPONENT	DESCRIPTION
1	2104A0215	LIMIT SWITCH BNS-813-FL-60 CE
2	2104A0212	LIMIT SWITCH BNS 819-B03D12-61-12-10
3	2104A0211	LIMIT SWITCH BNS 819-B02D12-61-12-10
4	2104A0210	LIMIT SWITCH BNS819-FD60

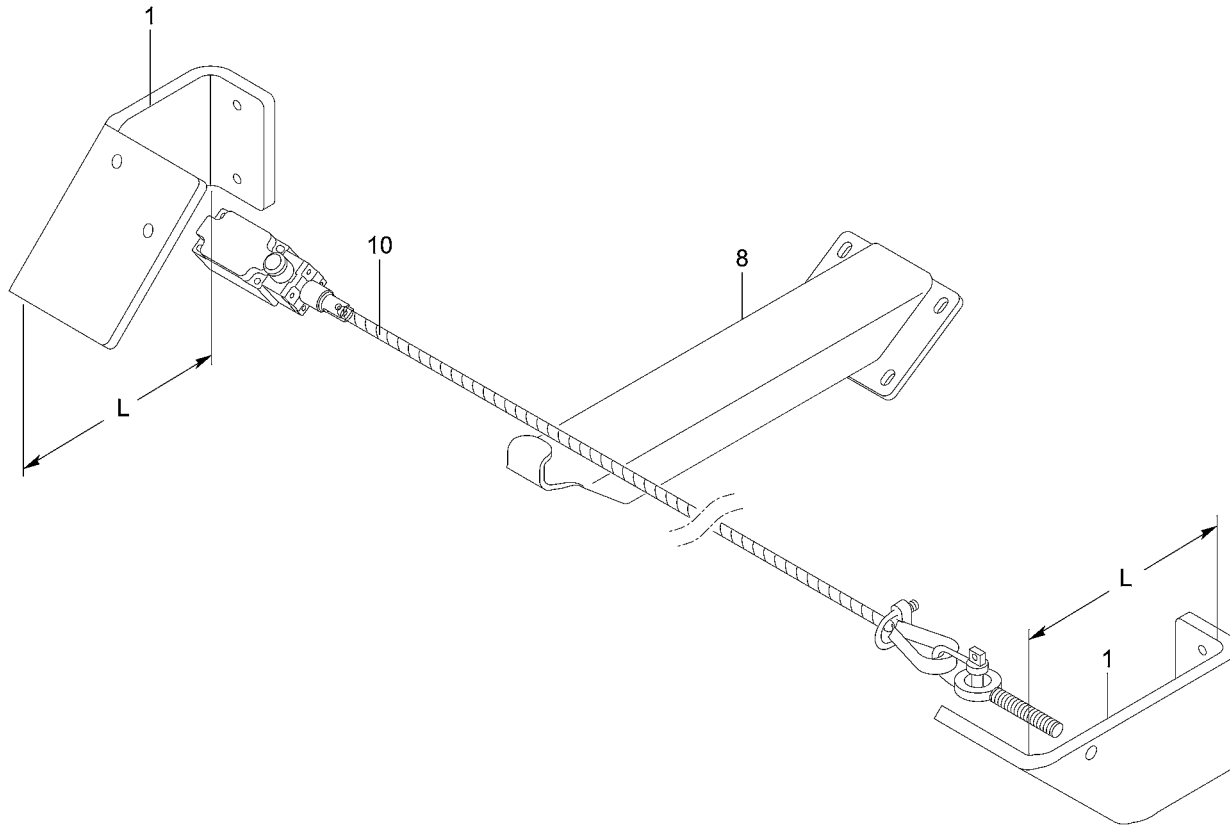
- 1 H0249A03
- 2 0809A0088



H0289A01 - AXIS Y LIMIT SWITCH - 69371\_ALL - ROVER A 03-12-2008

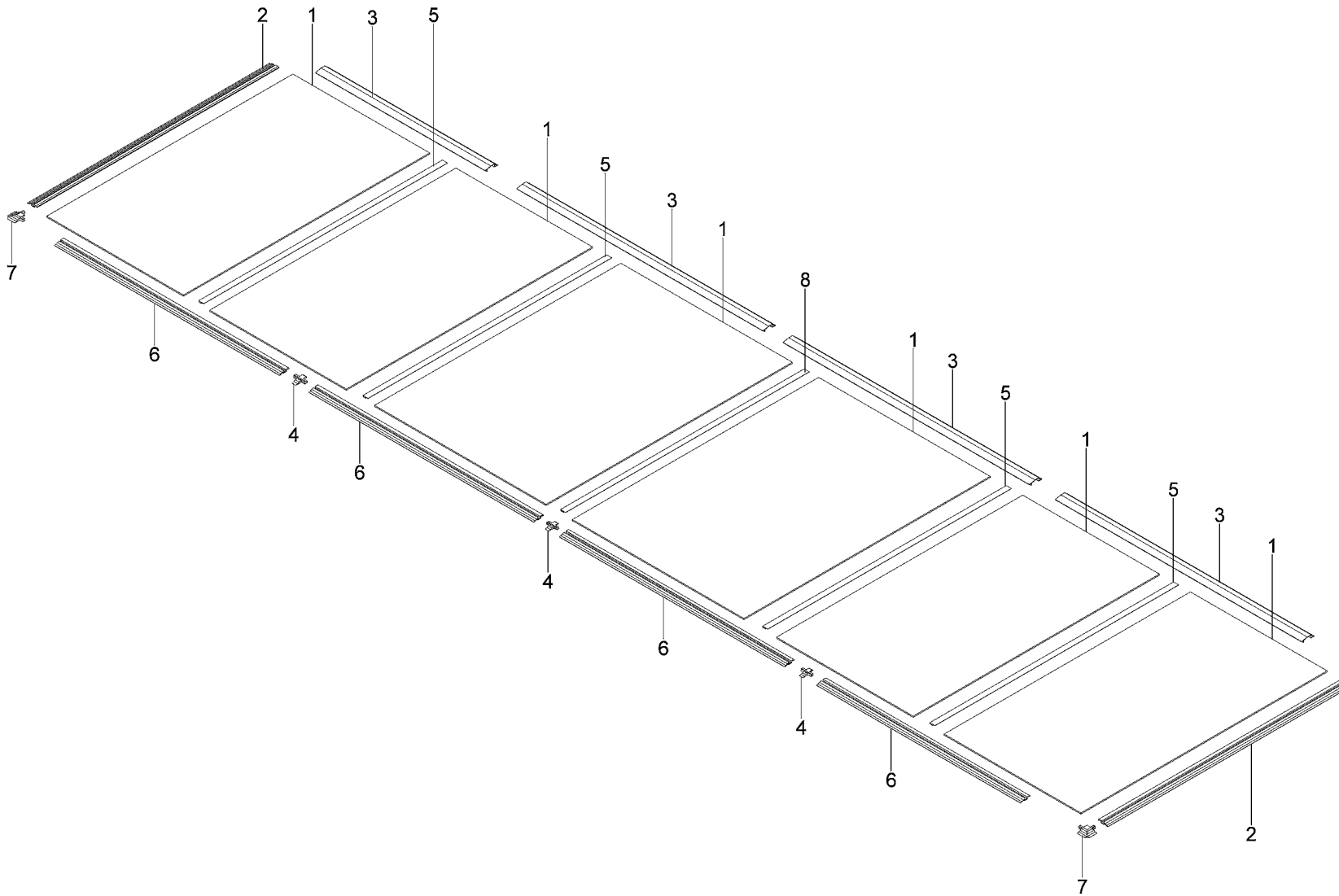
POSITION	DRAWING/COMPONENT	DESCRIPTION
1	H0249A03	SAFETY LIMIT SWITCH
2	0809A0088	CAM

10 H0365A00



H0292A02 - EMERGENCY DEVICE - 69371\_ALL - ROVER A 03-12-2008

POSITION	DRAWING/COMPONENT	DESCRIPTION
10	H0365A00	EMERGENCY DEVICE



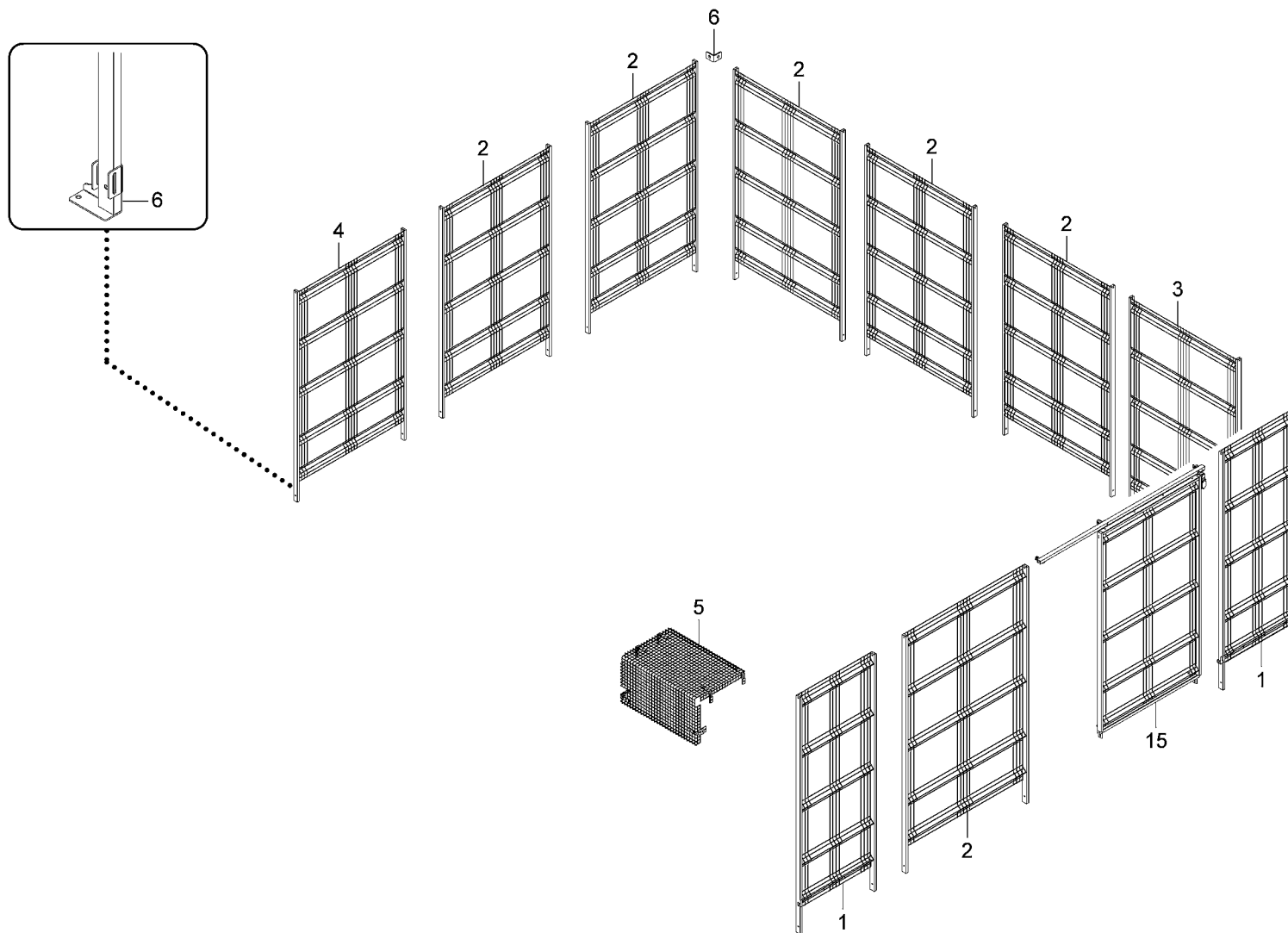
- 1 2178A0419 - 1000X895
- 2 2022A0076 - L=975
- 3 2022A0091 - L=1450 mm
- 4 2022A0103
- 5 2022A0126 - L=985
- 6 2022A0089 - L=1425
- 7 2022A0102
- 8 2022A0127 - L=985 mm



H0343A01 - CONTACT MAT - 1108X6231 - 69371\_ALL - ROVER A 03-12-2008

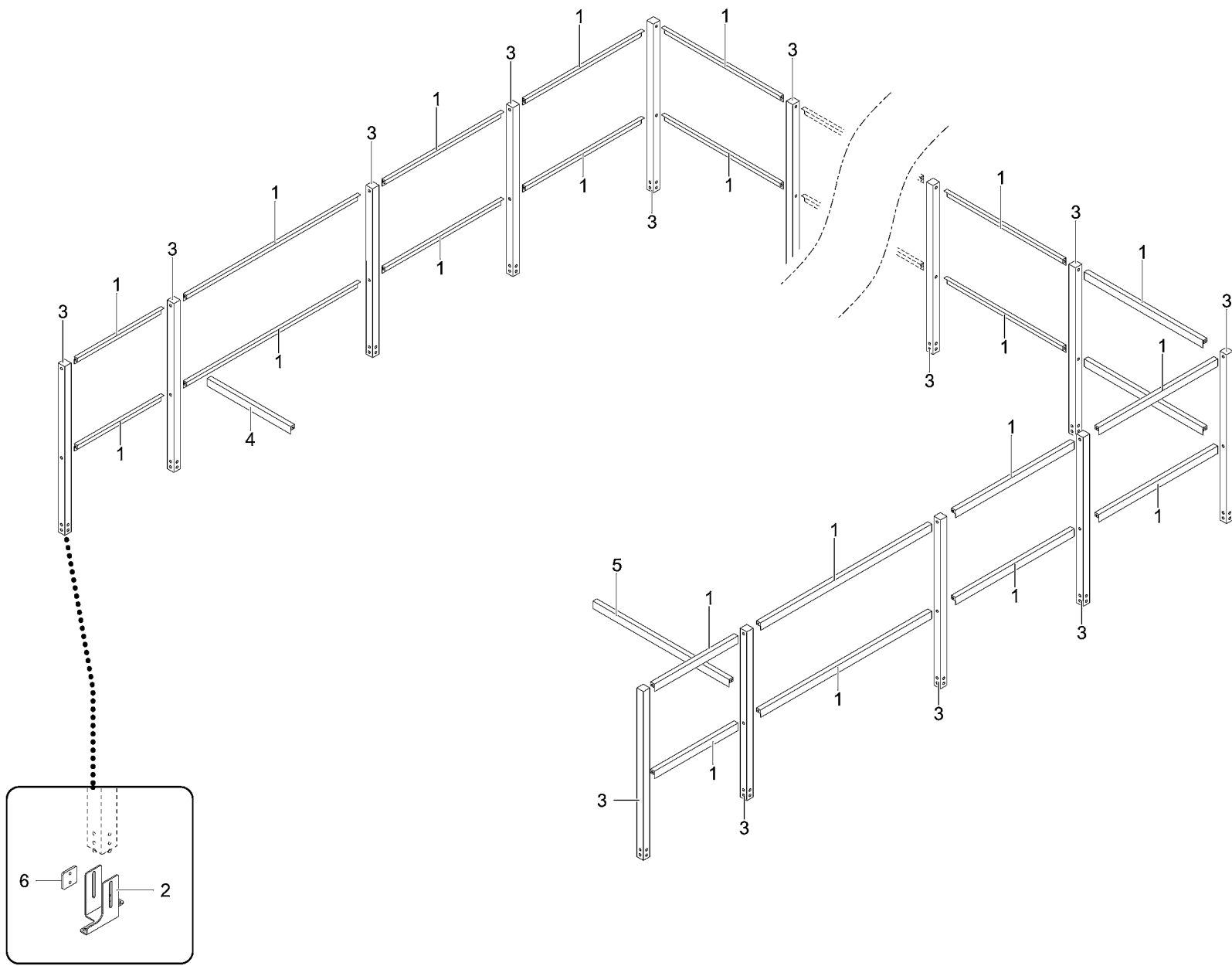
POSITION	DRAWING/COMPONENT	DESCRIPTION
1	2178A0419	CONTACT MAT 1000X895
2	2022A0076	STRUCTURAL STEEL L=975
3	2022A0091	STRIP L=1450 MM
4	2022A0103	JOINT
5	2022A0126	STRUCTURAL STEEL L=985
6	2022A0089	STRIP L=1425
7	2022A0102	JOINT
8	2022A0127	STRUCTURAL STEEL L=985 MM

- 1 2042A0451 - L=1453
- 2 2042A0452 - L=1183
- 3 2042A0453 - L=1453
- 4 2042A0455 - L=1303
- 5 H0370A00
- 6 H0371A00
- 15 H0376A00



H0363A02 - PERIMETER GUARD - 69371\_ALL - ROVER A 03-12-2008

POSITION	DRAWING/COMPONENT	DESCRIPTION
1	2042A0451	MESH GUARD L=1453
2	2042A0452	MESH GUARD L=1183
3	2042A0453	MESH GUARD L=1453
4	2042A0455	MESH GUARD L=1303
5	H0370A00	ANTI-INTRUSION DEVICE
6	H0371A00	SUPPORT
15	H0376A00	PERIMETER GUARD



- 1 2042A0046 - L=550
- 1 2042A0050 - L=850
- 1 2042A0048 - L=1000
- 1 2042A0399 - L=1350
- 2 2042A0017
- 3 2042A0044
- 4 2042A0364 - L=460
- 5 2042A0365 - L=110
- 6 2042A0143

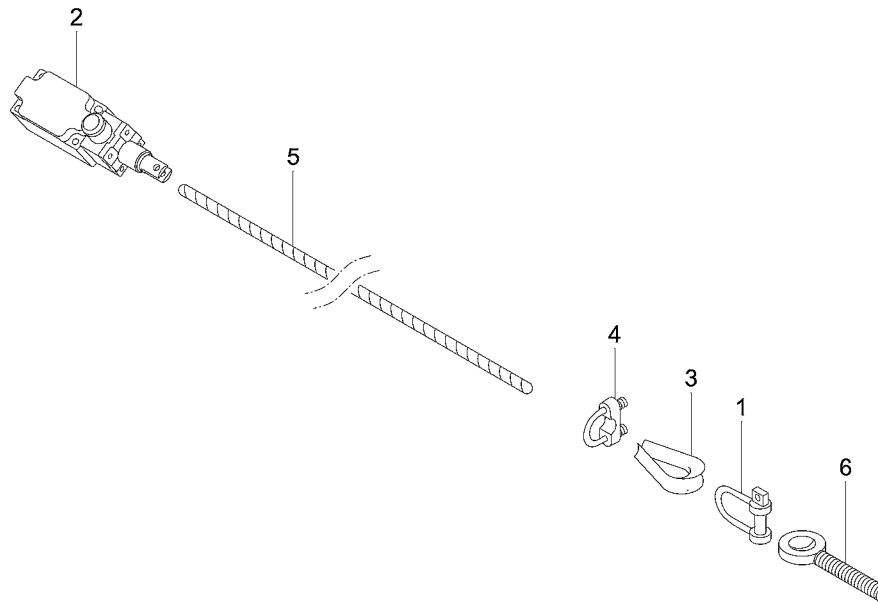


PERIMETER GUARD - NO CE - 69371\_ALL - ROVER A 03-12-2008

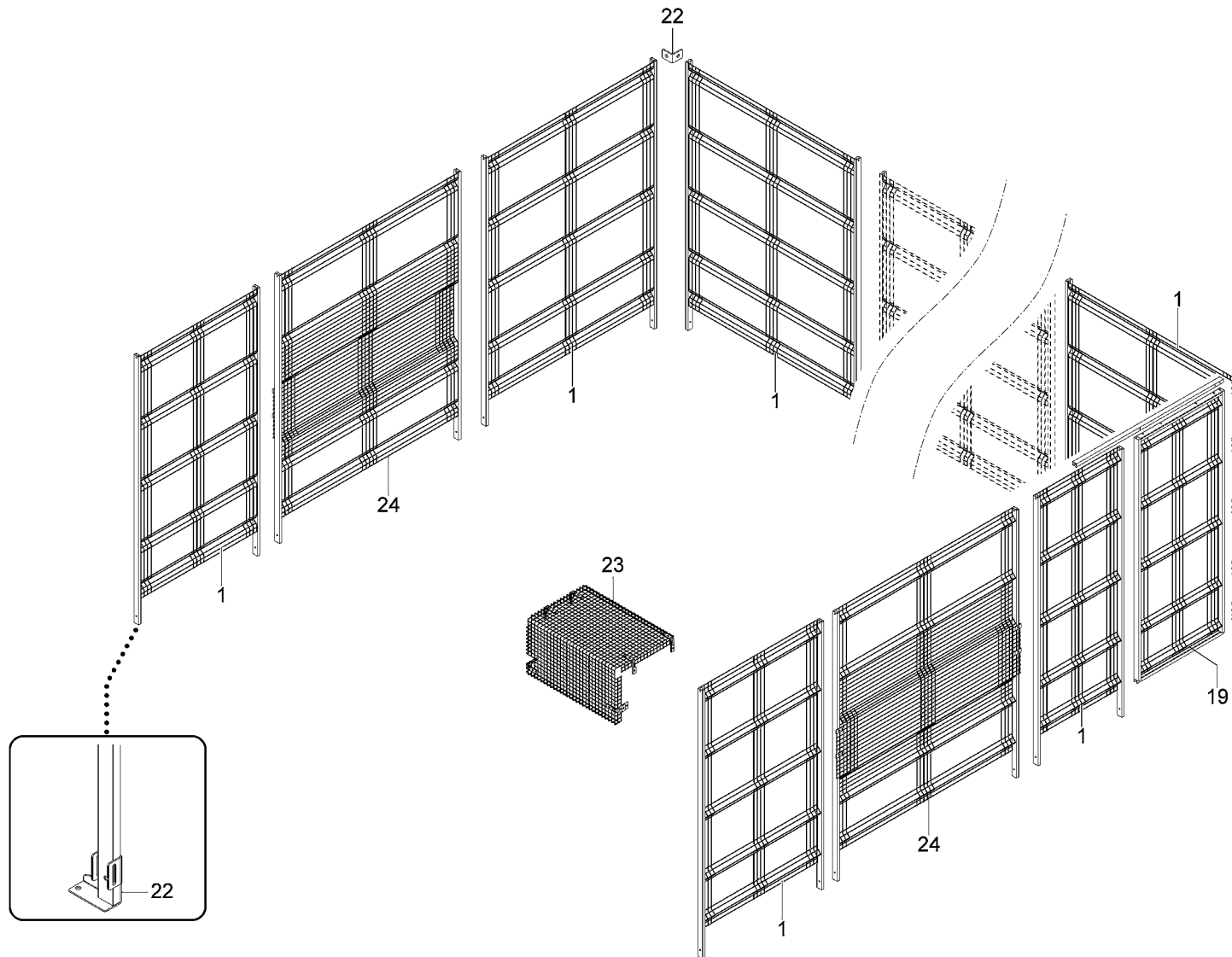
H0364 A  
00

H0364A00 - PERIMETER GUARD - NO CE - 69371\_ALL - ROVER A 03-12-2008

POSITION	DRAWING/COMPONENT	DESCRIPTION
1	2042A0046	SUPPORT L=550
1	2042A0050	SUPPORT L=850
1	2042A0048	SUPPORT L=1000
1	2042A0399	SUPPORT L=1350
2	2042A0017	FOOT
3	2042A0044	PROFILE
4	2042A0364	SUPPORT L=460
5	2042A0365	SUPPORT L=110
6	2042A0143	FIXING PLATE



- 19 H0389A00
- 22 H0371A00
- 23 H0370A00
- 24 H0380A00

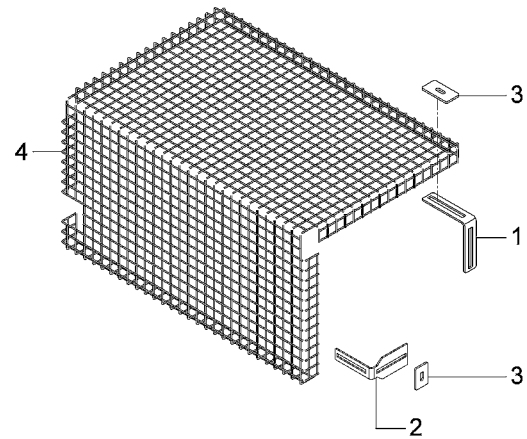


H0369A03 - PERIMETER GUARD - 69371\_ALL - ROVER A 03-12-2008

POSITION	DRAWING/COMPONENT	DESCRIPTION
19	H0389A00	DOOR
22	H0371A00	SUPPORT
23	H0370A00	ANTI-INTRUSION DEVICE
24	H0380A00	PERIMETER GUARD



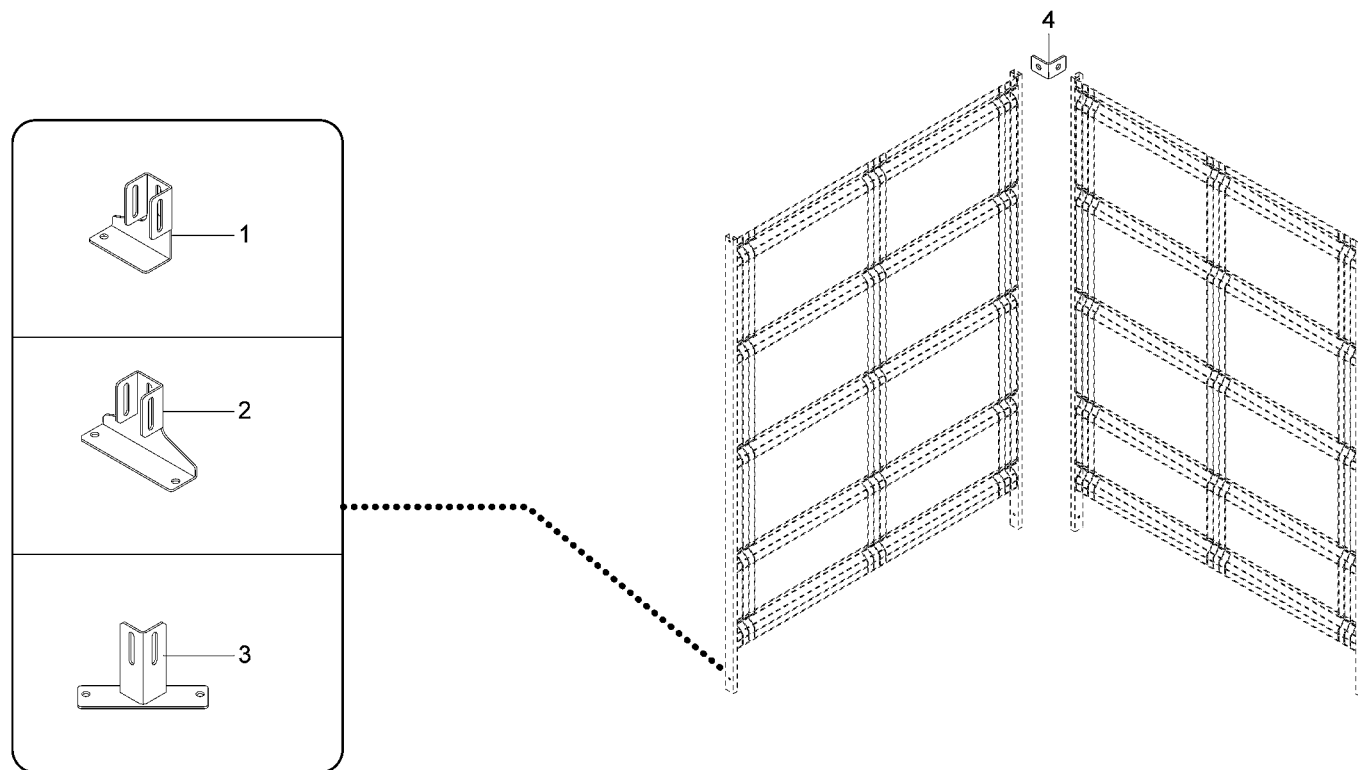
- 1 1205A1894
- 2 1205A0911
- 3 1214A1149V
- 4 2042A0456



H0370A00 - ANTI-INTRUSION DEVICE - 69371\_ALL - ROVER A 03-12-2008

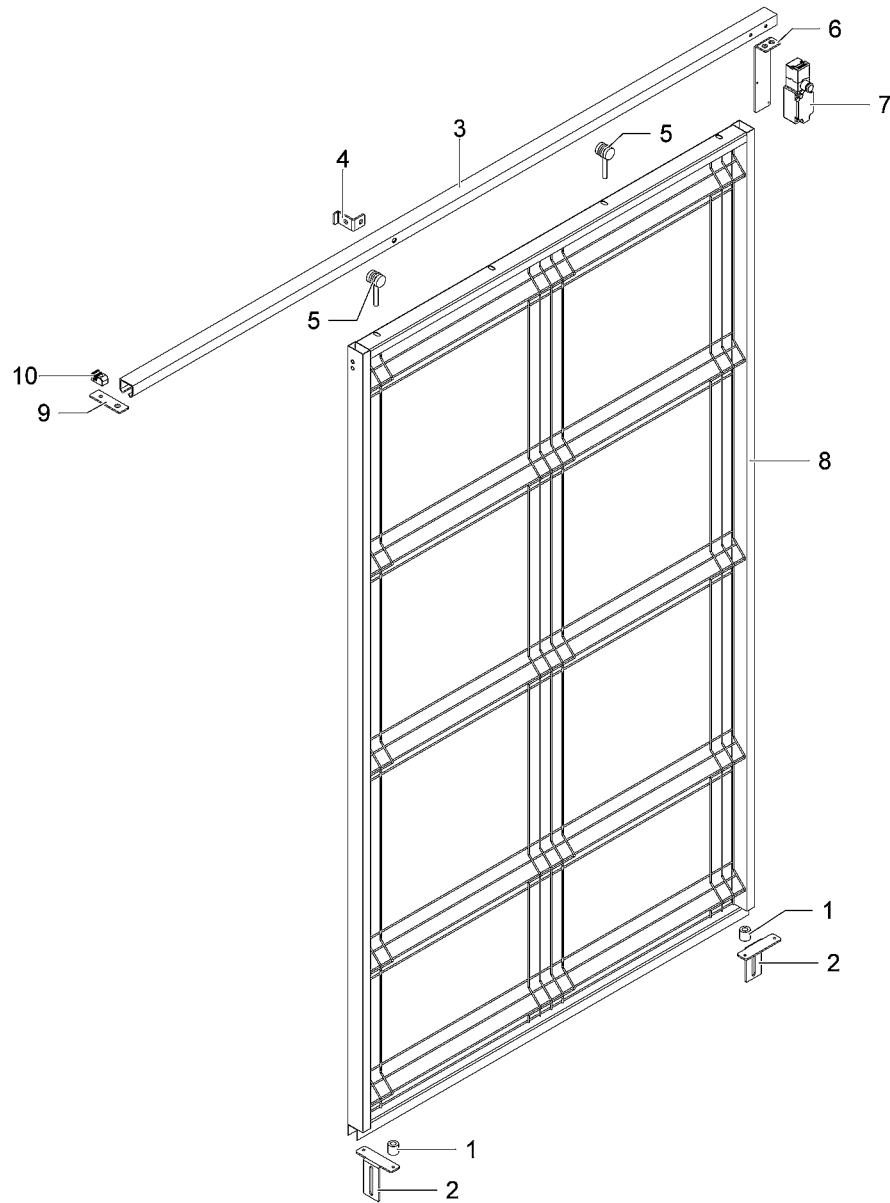
POSITION	DRAWING/COMPONENT	DESCRIPTION
1	1205A1894	SMALL PLATE
2	1205A0911	SMALL PLATE
3	1214A1149V	FIXING PLATE
4	2042A0456	MESH GUARD

- 1 2042A0440
- 2 2042A0439
- 3 2042A0438
- 4 2042A0441



H0371A00 - SUPPORT - 69371\_ALL - ROVER A 03-12-2008

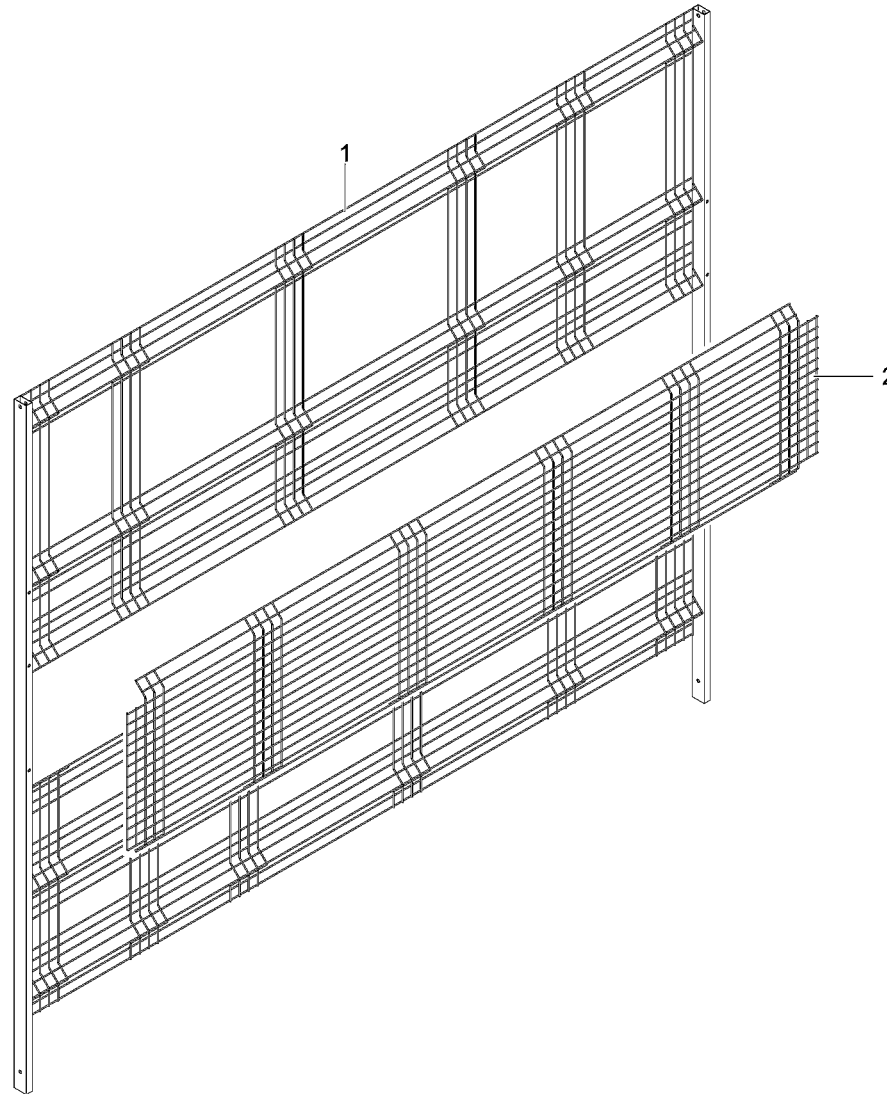
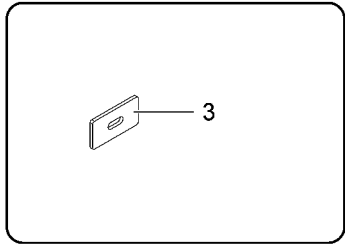
POSITION	DRAWING/COMPONENT	DESCRIPTION
1	2042A0440	SUPPORT
2	2042A0439	SUPPORT
3	2042A0438	SUPPORT
4	2042A0441	SMALL PLATE

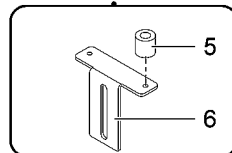
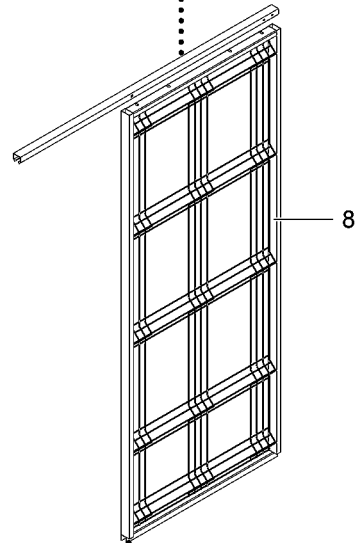
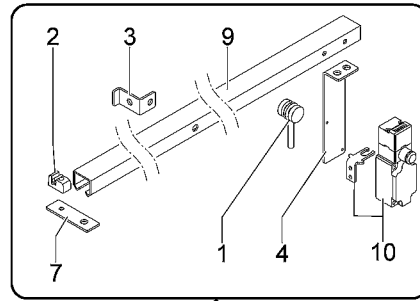


- 1 2042A0446
- 2 2042A0447
- 3 2042A0442
- 4 2042A0444
- 5 202300100
- 6 2042A0445
- 7 H0239A00
- 8 2042A0449
- 9 2042A0448
- 10 2042A0443

H0376A00 - PERIMETER GUARD - 69371\_ALL - ROVER A 03-12-2008

POSITION	DRAWING/COMPONENT	DESCRIPTION
1	2042A0446	WHEEL
2	2042A0447	GUIDE
3	2042A0442	GUIDE
4	2042A0444	SMALL PLATE
5	202300100	CARRIAGE
6	2042A0445	SUPPORT
7	H0239A00	SAFETY SWITCH
8	2042A0449	DOOR
9	2042A0448	SUPPORT
10	2042A0443	HOOK

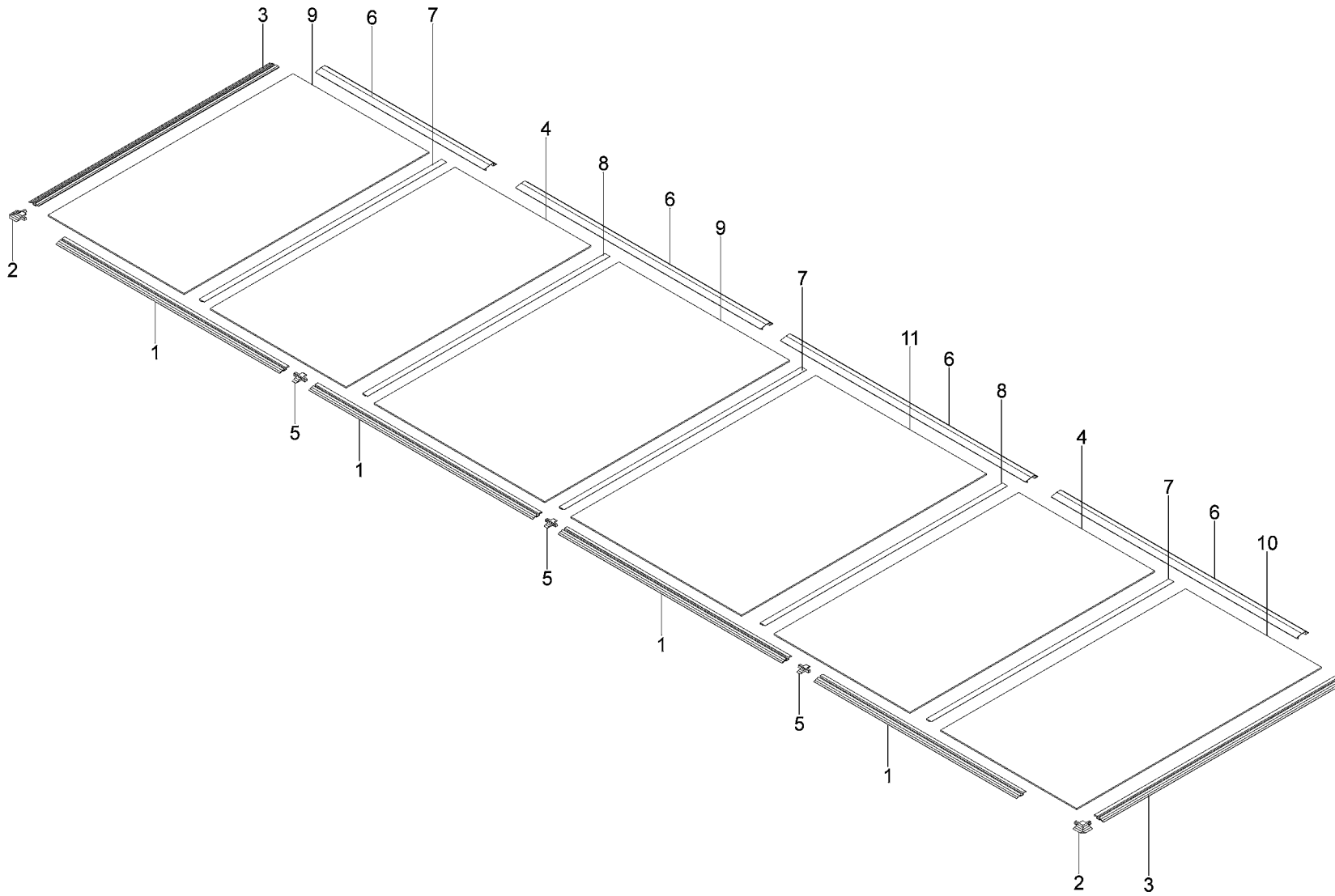


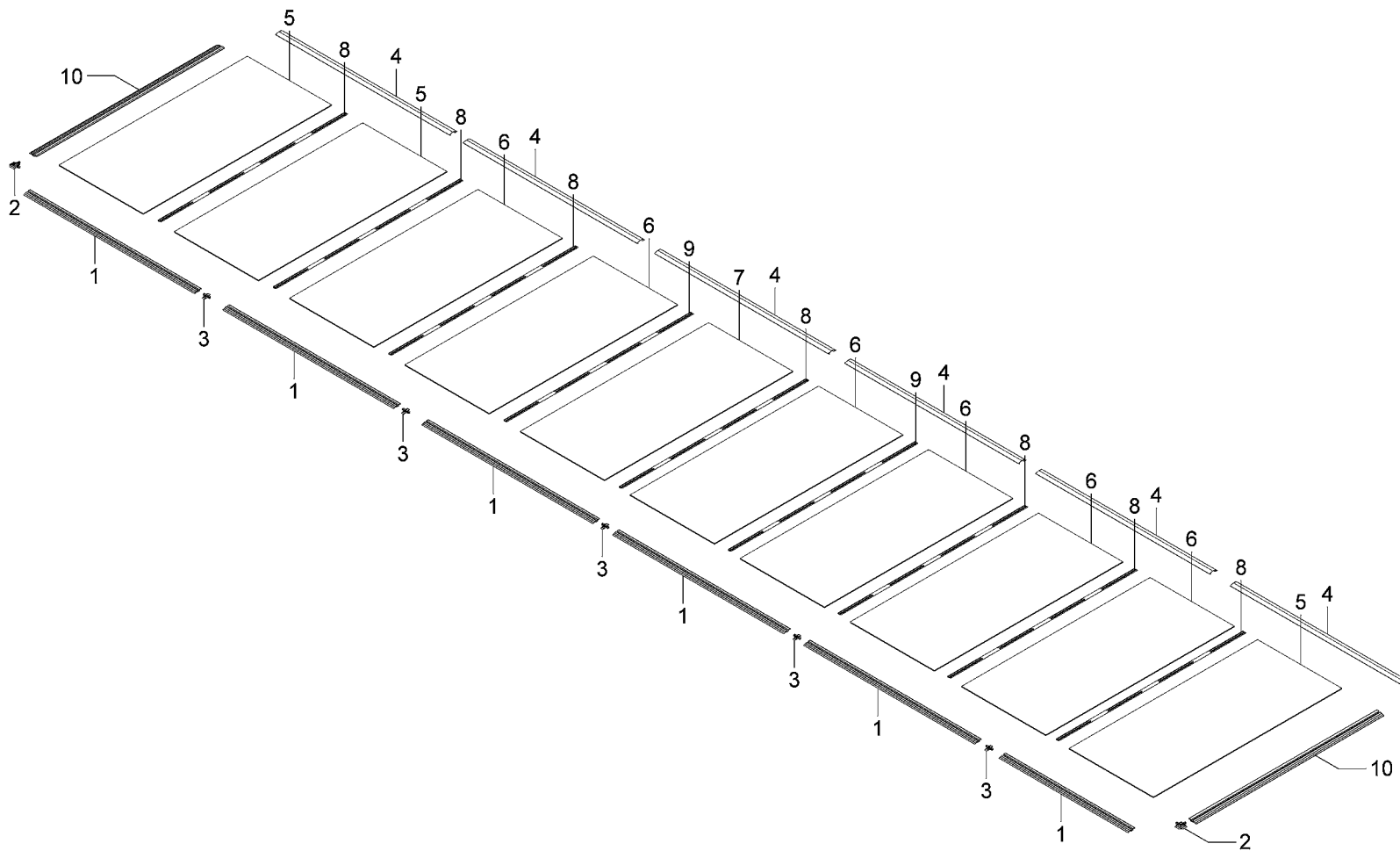


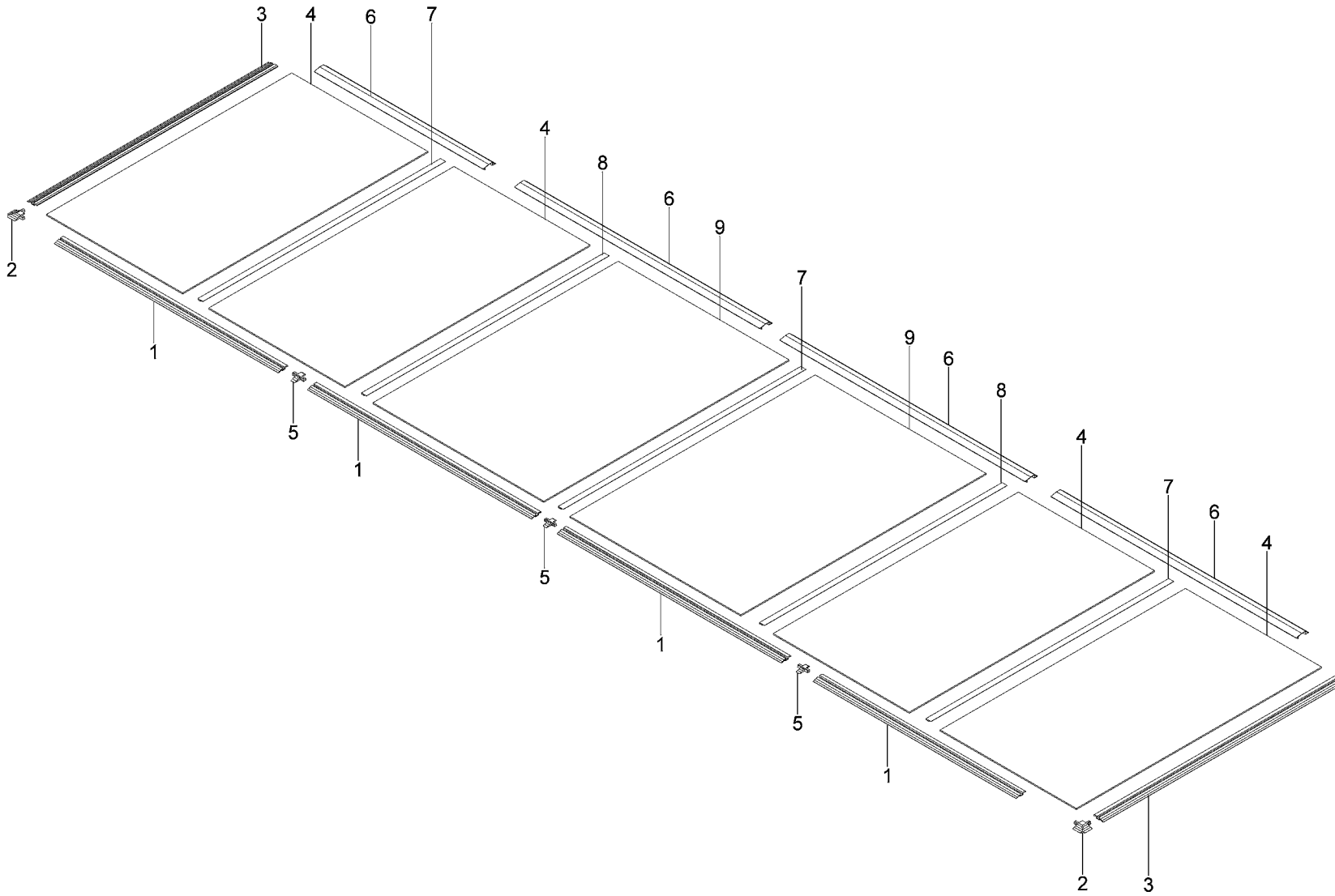


H0389A00 - DOOR - 69371\_ALL - ROVER A 03-12-2008

POSITION	DRAWING/COMPONENT	DESCRIPTION
10	H0239A00	SAFETY SWITCH



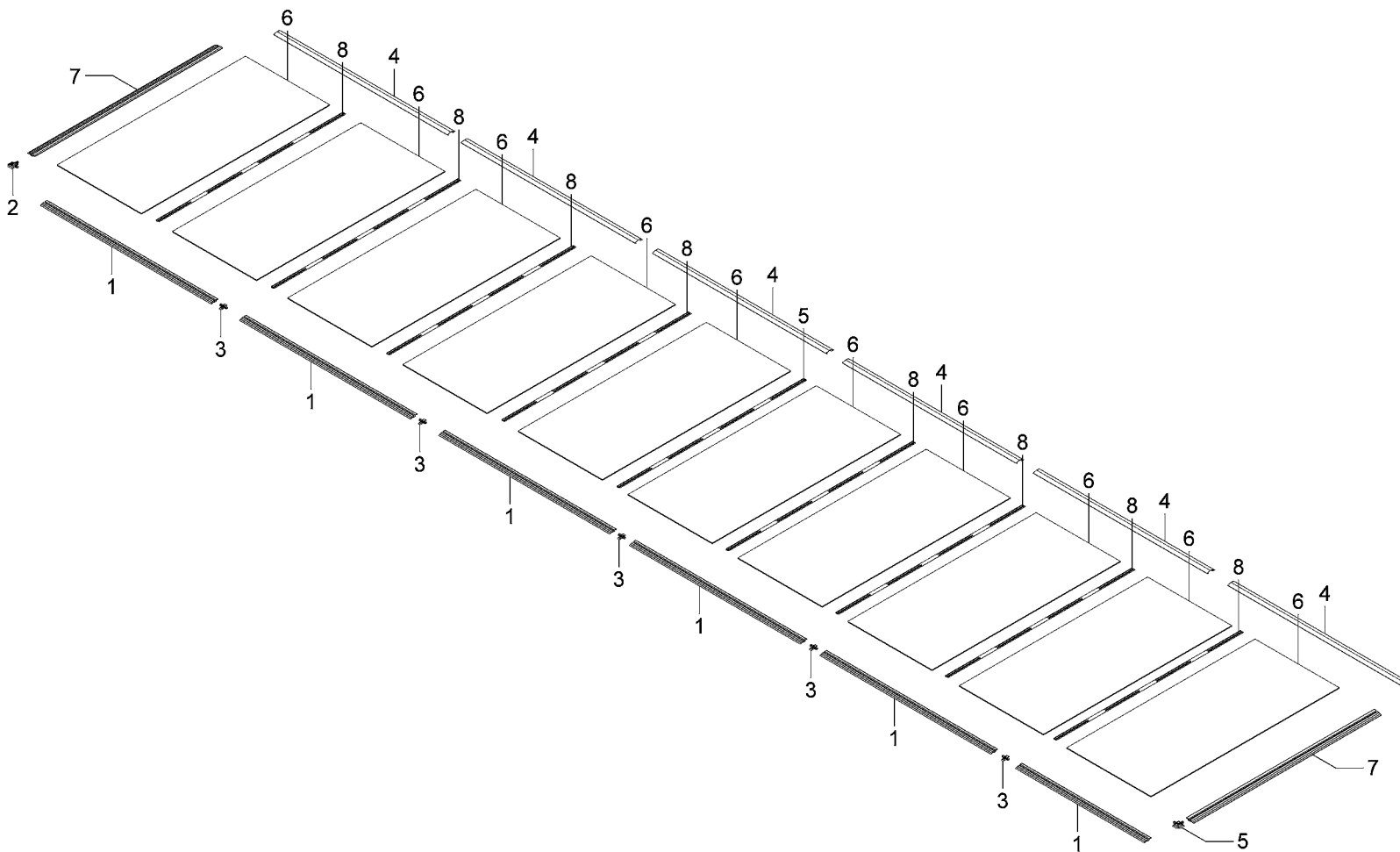




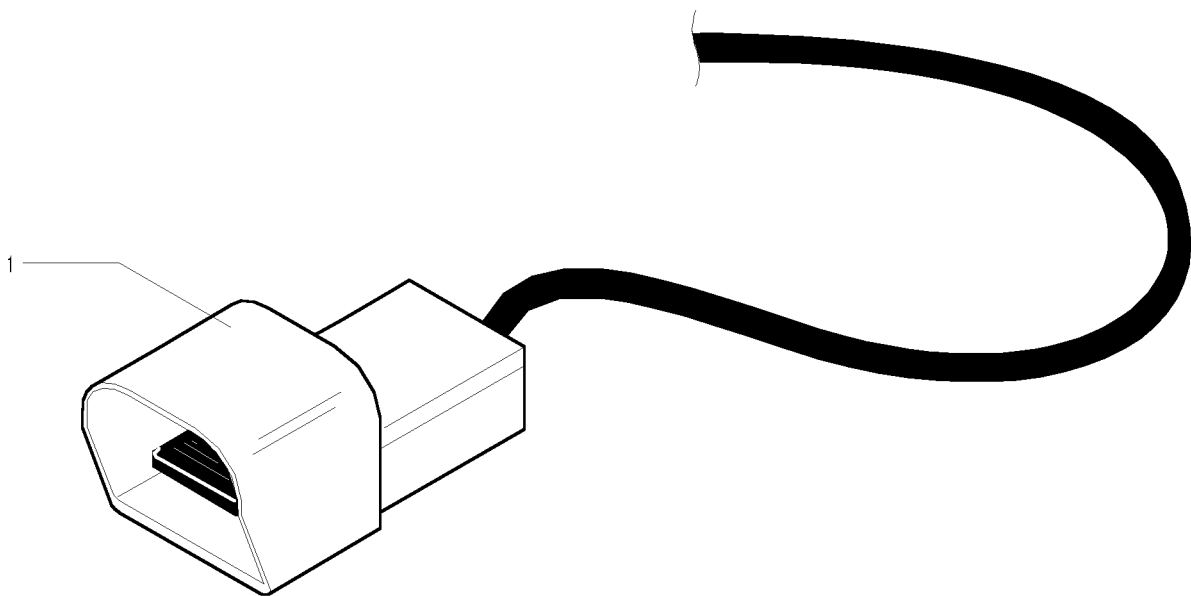
- 1 2022A0089 - L=1425
- 2 2022A0102
- 3 2022A0088 - L=1145
- 4 2178A0380 - 1170X780
- 5 2022A0103
- 6 2022A0091 - L=1450 mm
- 7 2022A0099 - L=1155
- 8 2022A0094 - L=1155 mm
- 9 2178A0383 - 1170X860

H0407A00 - CONTACT MAT - 1278X4951 - 69371\_ALL - ROVER A 03-12-2008

POSITION	DRAWING/COMPONENT	DESCRIPTION
1	2022A0089	STRIP L=1425
2	2022A0102	JOINT
3	2022A0088	STRIP L=1145
4	2178A0380	CONTACT MAT 1170X780
5	2022A0103	JOINT
6	2022A0091	STRIP L=1450 MM
7	2022A0099	STRUCTURAL STEEL L=1155
8	2022A0094	STRUCTURAL STEEL L=1155 MM
9	2178A0383	CONTACT MAT 1170X860



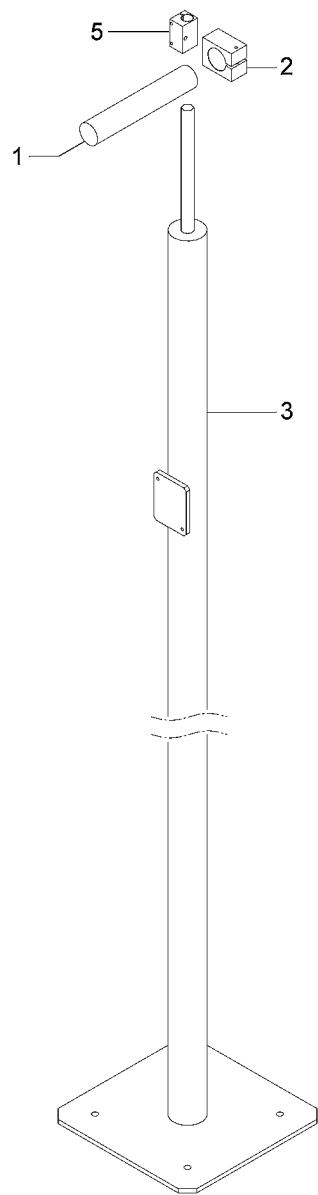
1 2104A0252



M0105A00 - CONTROL PEDAL - 69371\_ALL - ROVER A 03-12-2008

POSITION	DRAWING/COMPONENT	DESCRIPTION
1	2104A0252	LIMIT SWITCH

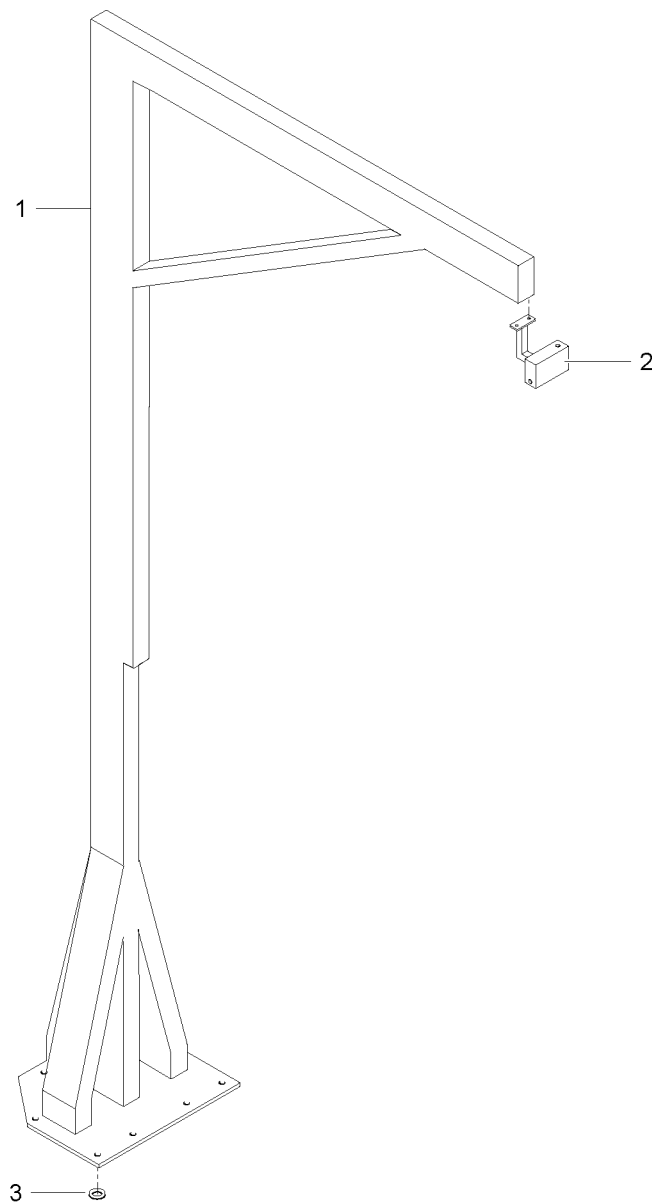
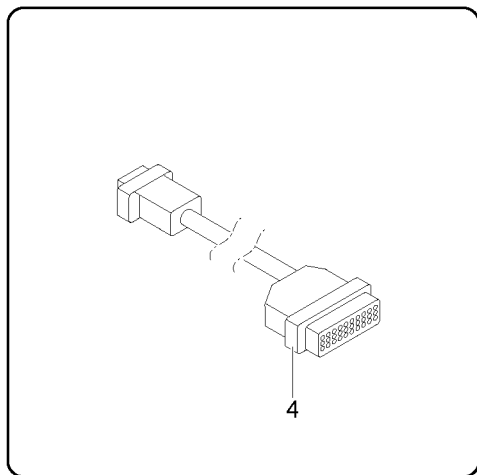




- 1 2140A0046
- 2 0905A1912
- 3 1205A1110V
- 5 0905A1911

M0125A03 - LASER - 69371\_ALL - ROVER A 03-12-2008

POSITION	DRAWING/COMPONENT	DESCRIPTION
1	2140A0046	LASER
2	0905A1912	SUPPORT
3	1205A1110V	SUPPORT
5	0905A1911	SUPPORT

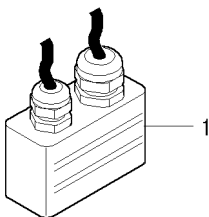


- 1 6312A0059 - S-L
- 2 2140A0006
- 3 080483910
- 4 6480A0047

M0126A02 - LASER - 69371\_ALL - ROVER A 03-12-2008

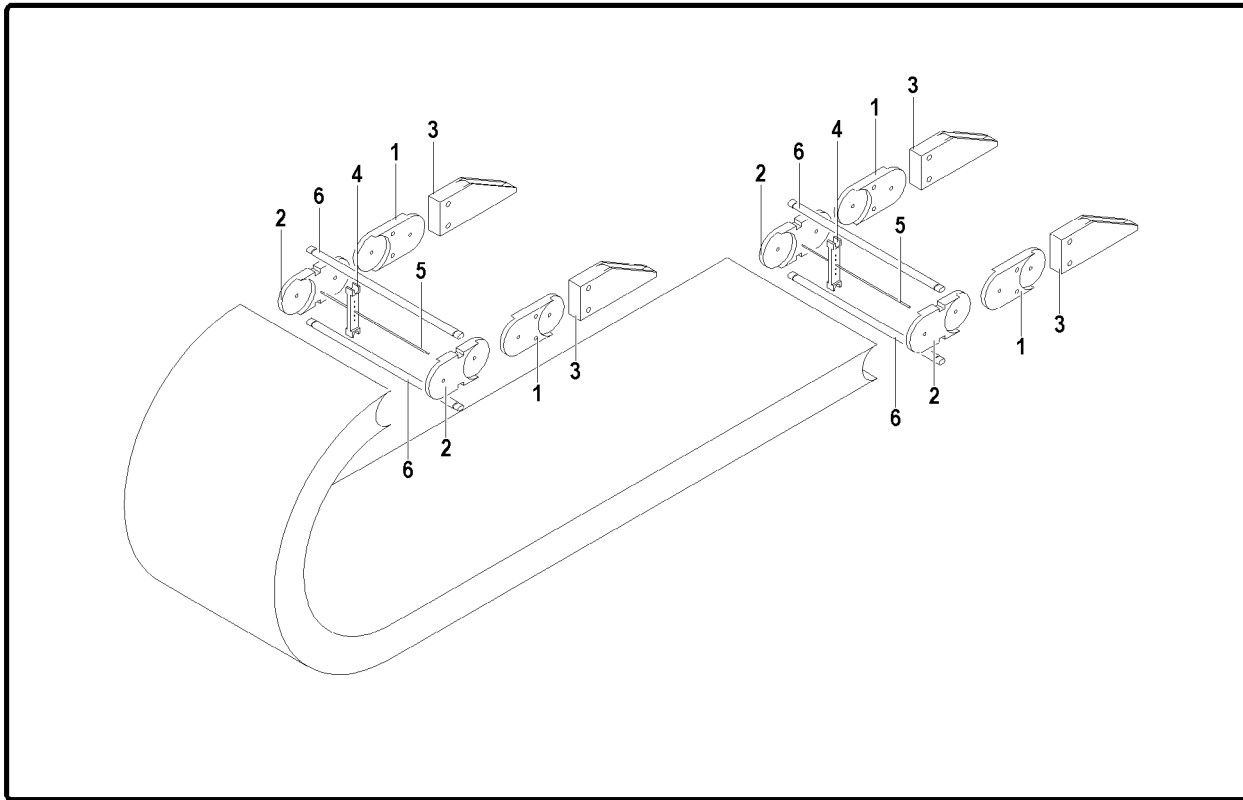
POSITION	DRAWING/COMPONENT	DESCRIPTION
1	6312A0059	SUPPORT S-L
2	2140A0006	LASER
3	080483910	WASHER
4	6480A0047	CABLE

1 6480A0027  
1 6480A0183 - M16-M20



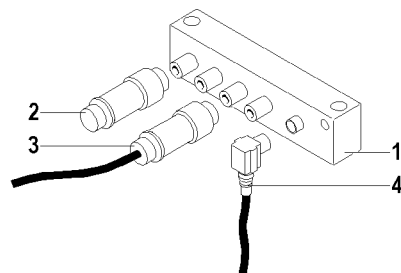
M0131A00 - CONNECTOR - 69371\_ALL - ROVER A 03-12-2008

POSITION	DRAWING/COMPONENT	DESCRIPTION
1	6480A0027	CONNECTOR
1	6480A0183	HINGE MOUNTING PLATE M16-M20



7

- 1 2138A0316
- 2 2138A0315
- 3 2138A0314 - 1,5 M
- 4 2138A0438 - 5 m

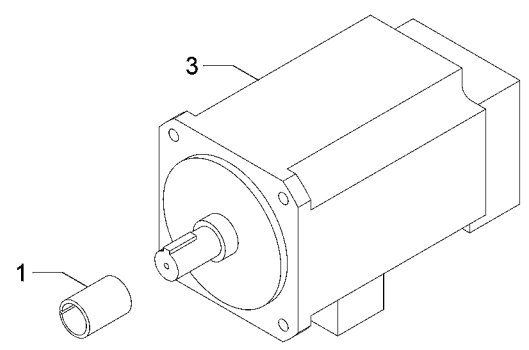




M0164A00 - CONNECTOR - 69371\_ALL - ROVER A 03-12-2008

POSITION	DRAWING/COMPONENT	DESCRIPTION
1	2138A0316	SOCKET
2	2138A0315	CONNECTOR
3	2138A0314	CONNECTOR 1,5 M
4	2138A0438	CONNECTOR 5 M

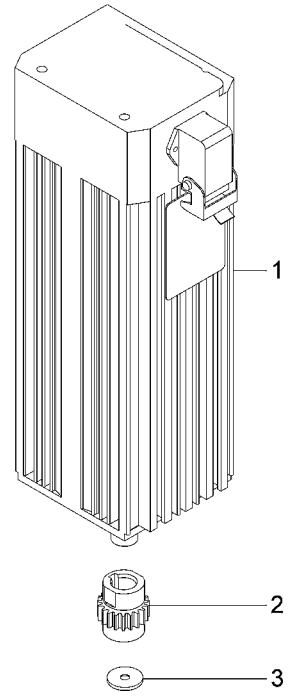
- 1 0817A0228
- 3 2201A0379 - SGMGH-13DCA.



M0222A01 - X AXIS MOTOR DRIVE - 69371\_ALL - ROVER A 03-12-2008

POSITION	DRAWING/COMPONENT	DESCRIPTION
1	0817A0228	BUSHING
3	2201A0379	MOTOR SGMGH-13DCA YG15

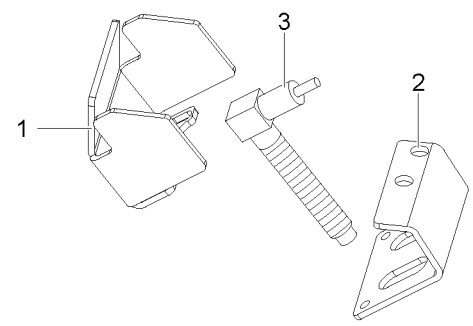
- 1 6410A0318
- 2 0821A0241
- 3 080450400



M0231A00 - MOTOR - 69371\_ALL - ROVER A 03-12-2008

POSITION	DRAWING/COMPONENT	DESCRIPTION
1	6410A0318	MOTOR
2	0821A0241	GEAR WHEEL
3	080450400	WASHER

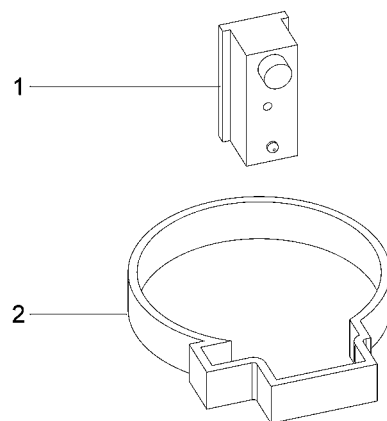
- 1 1205A1671
- 2 1205A1172
- 3 2164A0365



M0241A00 - SENSOR - 69371\_ALL - ROVER A 03-12-2008

POSITION	DRAWING/COMPONENT	DESCRIPTION
1	1205A1671	SUPPORT
2	1205A1172	SUPPORT
3	2164A0365	INDUCTIVE SENSOR

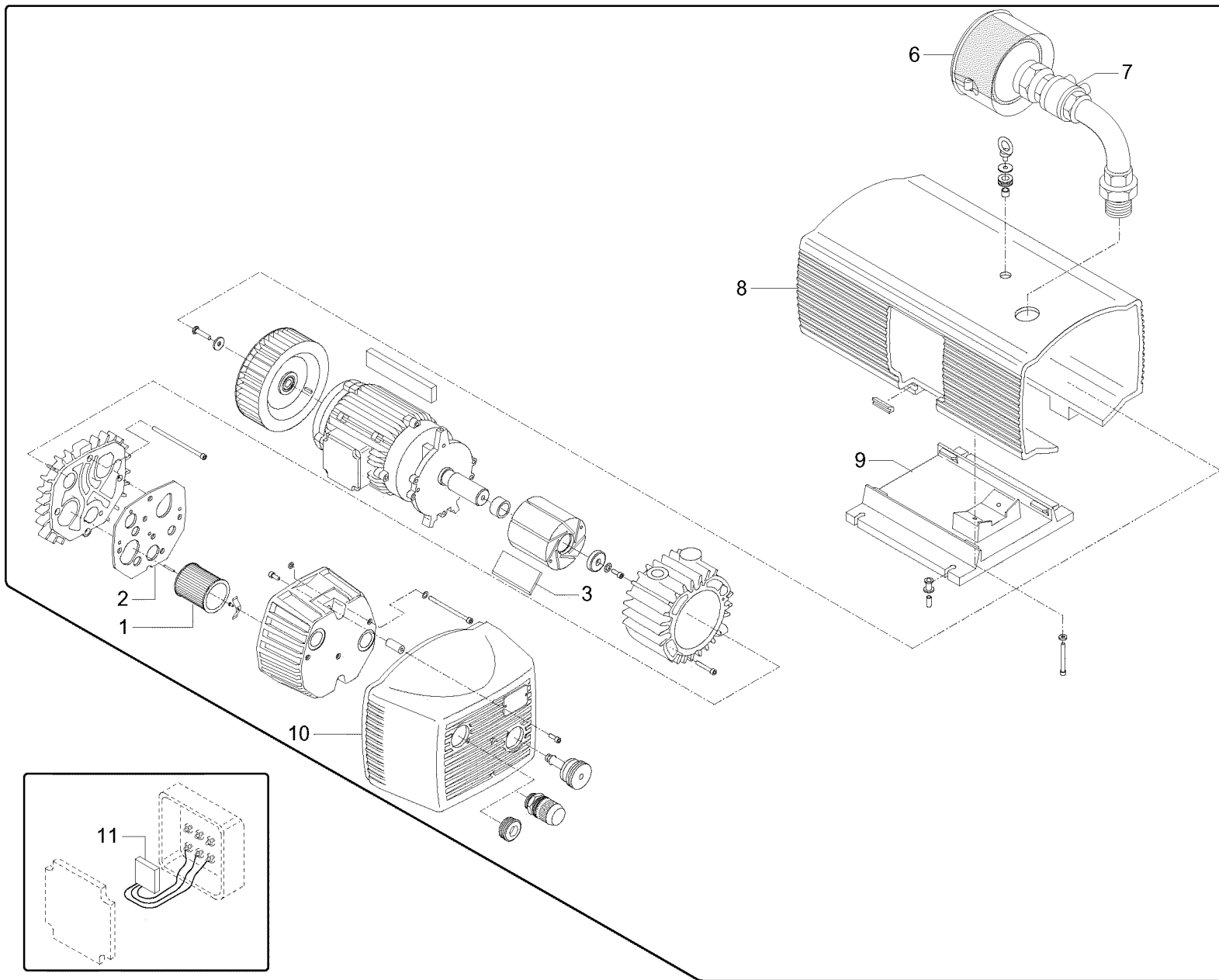
- 1 2164A0320
- 2 2440A0024



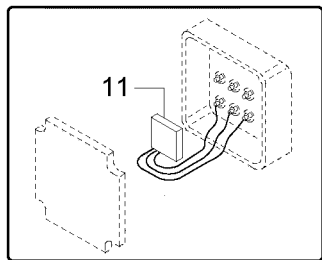


M0251A00 - SENSOR - 69371\_ALL - ROVER A 03-12-2008

POSITION	DRAWING/COMPONENT	DESCRIPTION
1	2164A0320	SENSOR
2	2440A0024	HOSE CLAMP



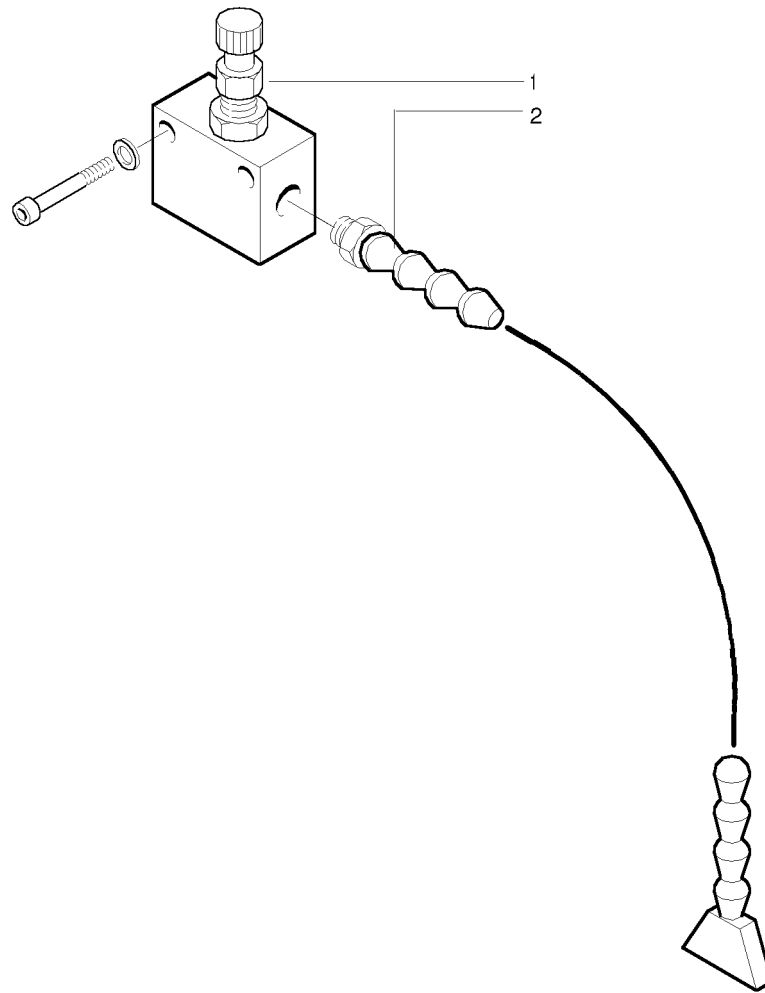
- 1 750123184 - VT 40 m3/h
- 2 750123182 - VT 40 m3/h
- 3 6414A0001
- 5 402501100 - 40 M3/H
- 6 750123212 - KVT 100 m3/..
- 7 2413A0009
- 8 2003A0009
- 9 2025A0004
- 10 2003A0010
- 11 2163A0046



N0105A06 - VACUUM PUMP - 40 M3/H - 69371\_ALL - ROVER A 03-12-2008

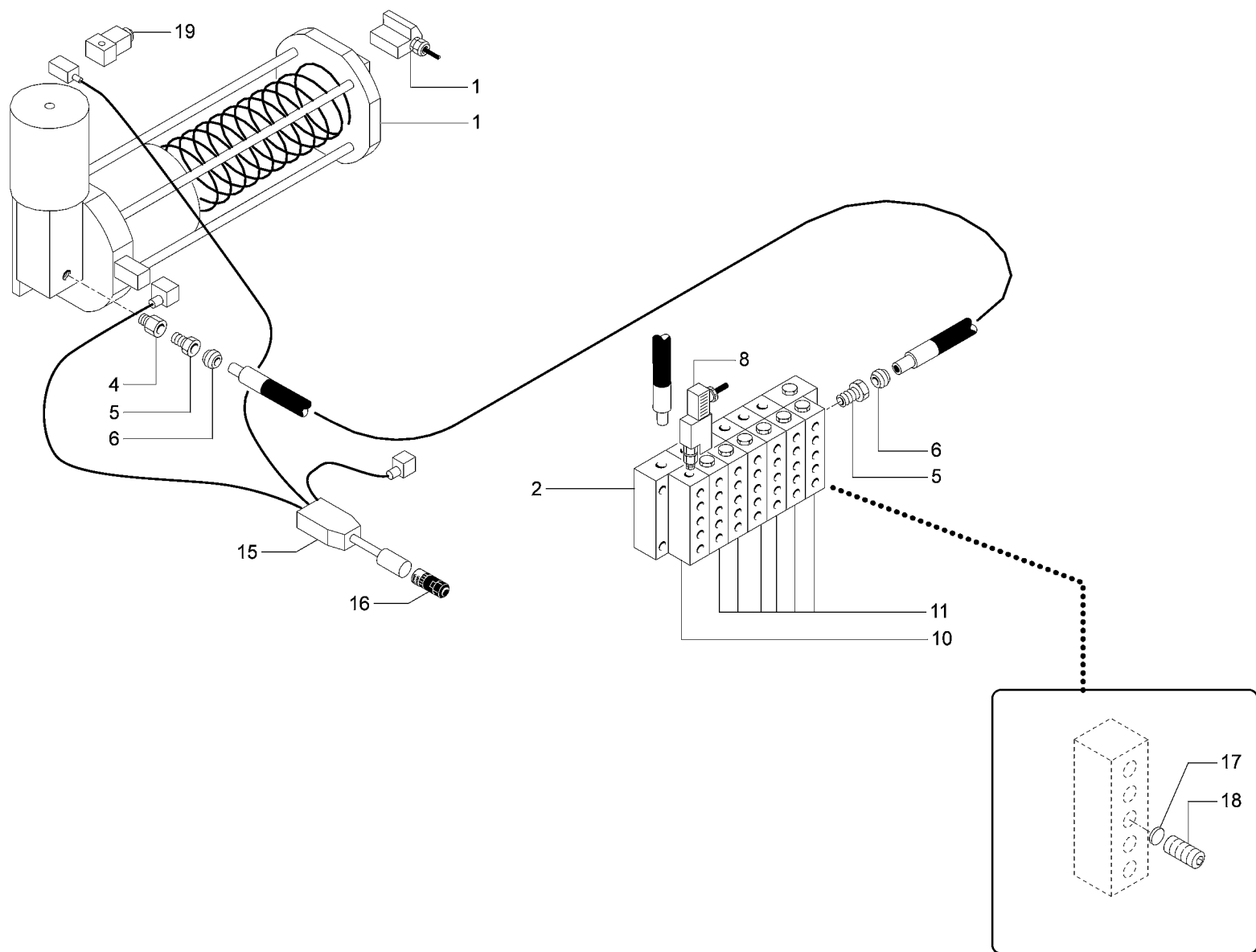
POSITION	DRAWING/COMPONENT	DESCRIPTION
1	750123184	FILTER VT 40 M3/H
2	750123182	GASKET VT 40 M3/H
3	6414A0001	BLADE
5	402501100	VACUUM PUMP 40 M3/H
6	750123212	FILTER KVT 100 M3/H
7	2413A0009	VALVE
8	2003A0009	CASING
9	2025A0004	FOOT
10	2003A0010	CASING
11	2163A0046	FILTRO

- 1 241400900 - f=1/8
- 2 165500100 - G1/8



N0110A01 - BLOWER - 69371\_ALL - ROVER A 03-12-2008

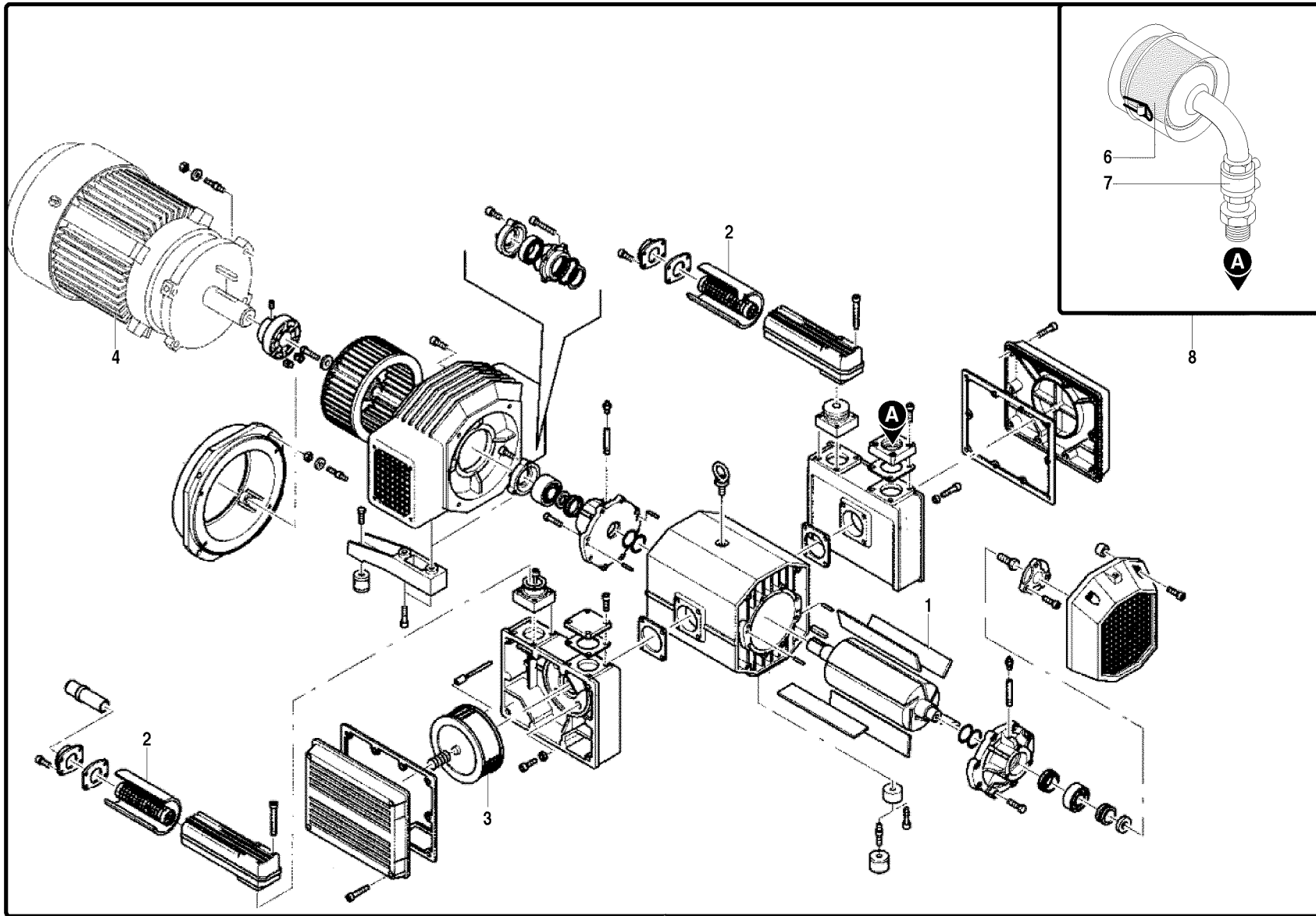
POSITION	DRAWING/COMPONENT	DESCRIPTION
1	241400900	FLOW REGULATOR F=1/8
2	165500100	BLOWER G1/8



- 1 2602A0001 - 1-2CC-2KG 3..
- 2 2620A0017 - SM0 0,04 CC
- 2 2620A0008 - SM0 5
- 4 2615A0006 - D=6-G1/4
- 5 2615A0007 - D=6-G1/8
- 6 2614A0002 - D.6
- 8 2104A0017
- 10 2620A0028 - SM0 25 LR
- 11 2620A0013 - SM0 0,25 CC..
- 11 2620A0018 - SM0 0,08 CC
- 15 6480A0125 - F=M12 POLE ..
- 16 2138A0467 - f=M12 POLE ..
- 17 2620A0055
- 18 2620A0054
- 19 2304A0013 - 1/8

## N0139A09 - LUBRICATION SYSTEM - 69371\_ALL - ROVER A 03-12-2008

POSITION	DRAWING/COMPONENT	DESCRIPTION
1	2602A0001	LUBRICATION PUMP 1-2CC-2KG 3413026 DROPSA
2	2620A0017	DISTRIBUTOR SM0 0,04 CC
2	2620A0008	DISTRIBUTOR SM0 5
4	2615A0006	CONNECTOR D=6-G1/4
5	2615A0007	CONNECTOR D=6-G1/8
6	2614A0002	OGIVE D.6
8	2104A0017	SENSOR
10	2620A0028	BATCHER SM0 25 LR
11	2620A0013	DISTRIBUTOR SM0 0,25 CC NA
11	2620A0018	DISTRIBUTOR SM0 0,08 CC
15	6480A0125	CABLE F=M12 POLE 5
16	2138A0467	SOCKET F=M12 POLE 5
17	2620A0055	HARD DISK
18	2620A0054	ADAPTER
19	2304A0013	MICROREGULATOR 1/8



- 1 6414A0003 - VTLF 250 m3..
- 2 2412A0005 - VTLF 250 m3..
- 3 2422A0012
- 4 2202A0025
- 5 6404A0004 - 250 M3/H
- 6 2422A0014
- 7 2413A0014
- 8 6420A0025



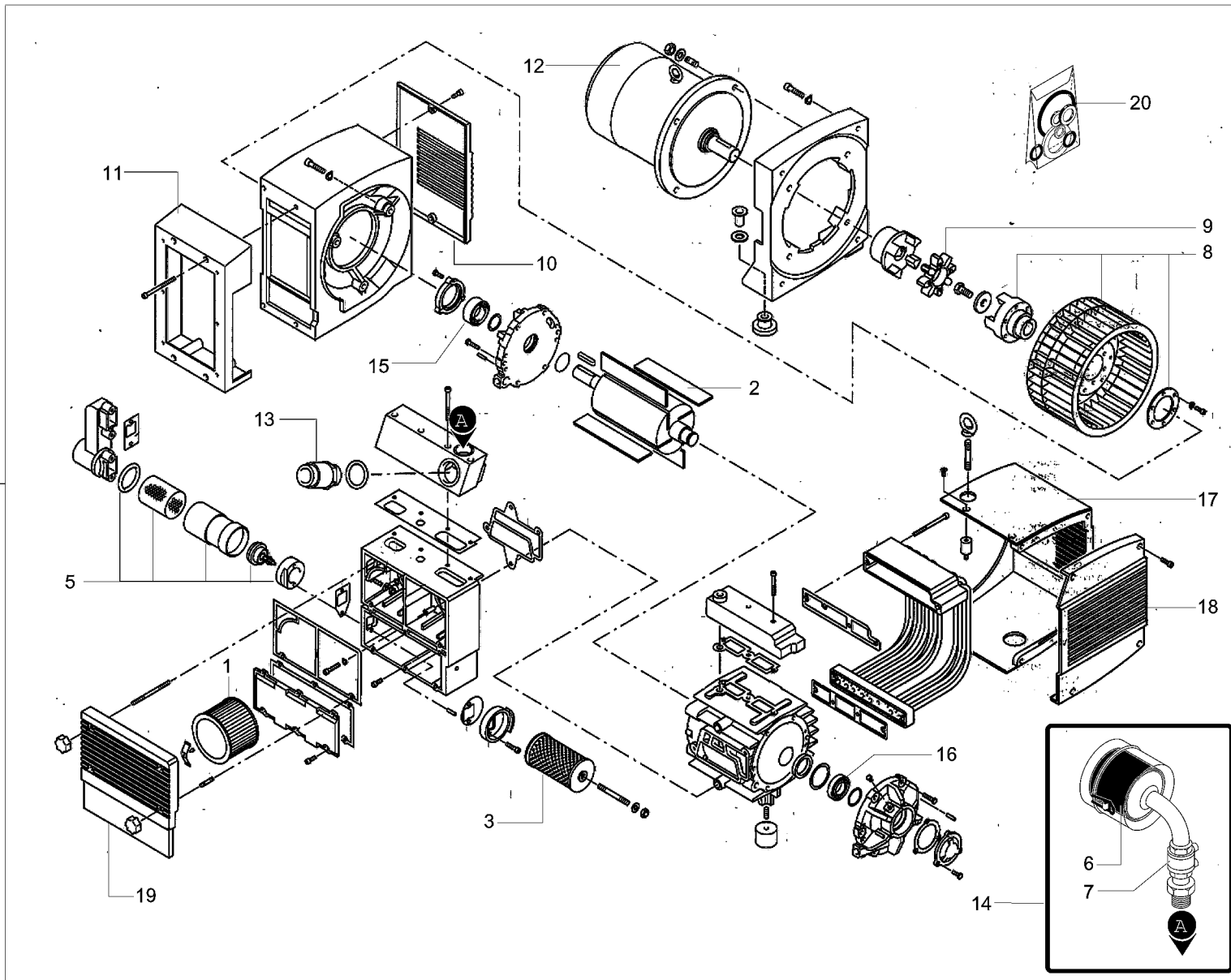
VACUUM PUMP - 250 M3/H - 69371\_ALL - ROVER A 03-12-2008

N0160 A  
01



N0160A01 - VACUUM PUMP - 250 M3/H - 69371\_ALL - ROVER A 03-12-2008

POSITION	DRAWING/COMPONENT	DESCRIPTION
1	6414A0003	BLADE VTLF 250 M3/H
2	2412A0005	SILENCER VTLF 250 M3/H
3	2422A0012	FILTER
4	2202A0025	MOTOR
5	6404A0004	VACUUM PUMP 250 M3/H
6	2422A0014	CARTRIDGE
7	2413A0014	VALVE
8	6420A0025	FILTER

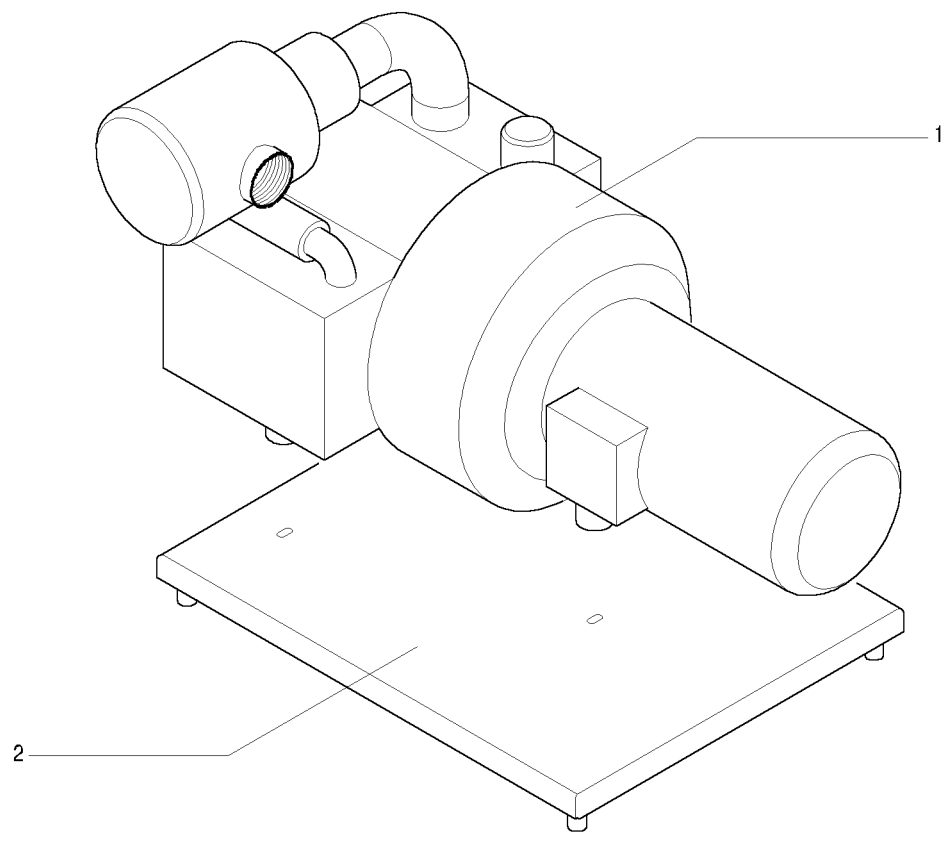


- 1 750123211 - KVT 100 m3/..
- 2 6414A0007
- 3 750123213 - KVT 100 m3/..
- 5 2412A0057
- 6 750123212 - KVT 100 m3/..
- 7 2413A0007
- 8 2161A0065
- 9 2707A0030
- 10 1208A1258
- 11 1208A1259
- 12 2202A0027
- 13 2413A0019
- 14 6420A0009
- 15 290400600 - 25-52-20,6
- 16 750123222
- 17 2003A0013
- 18 2003A0014
- 19 2003A0016
- 20 750123188
- 21 6404A0023 - 90 M3/H

N0189A03 - VACUUM PUMP - 90 M3/H - 69371\_ALL - ROVER A 03-12-2008

POSITION	DRAWING/COMPONENT	DESCRIPTION
1	750123211	FILTER KVT 100 M3/H
2	6414A0007	BLADE
3	750123213	FILTER KVT 100 M3/H
5	2412A0057	SILENCER
6	750123212	FILTER KVT 100 M3/H
7	2413A0007	VALVE
8	2161A0065	COOLING FAN
9	2707A0030	JOINT
10	1208A1258	CASING
11	1208A1259	CASING
12	2202A0027	MOTOR
13	2413A0019	VALVE
14	6420A0009	FILTER
15	290400600	BEARING 25-52-20,6
16	750123222	BEARING
17	2003A0013	CASING
18	2003A0014	CASING
19	2003A0016	CASING
20	750123188	GASKET KIT
21	6404A0023	VACUUM PUMP 90 M3/H

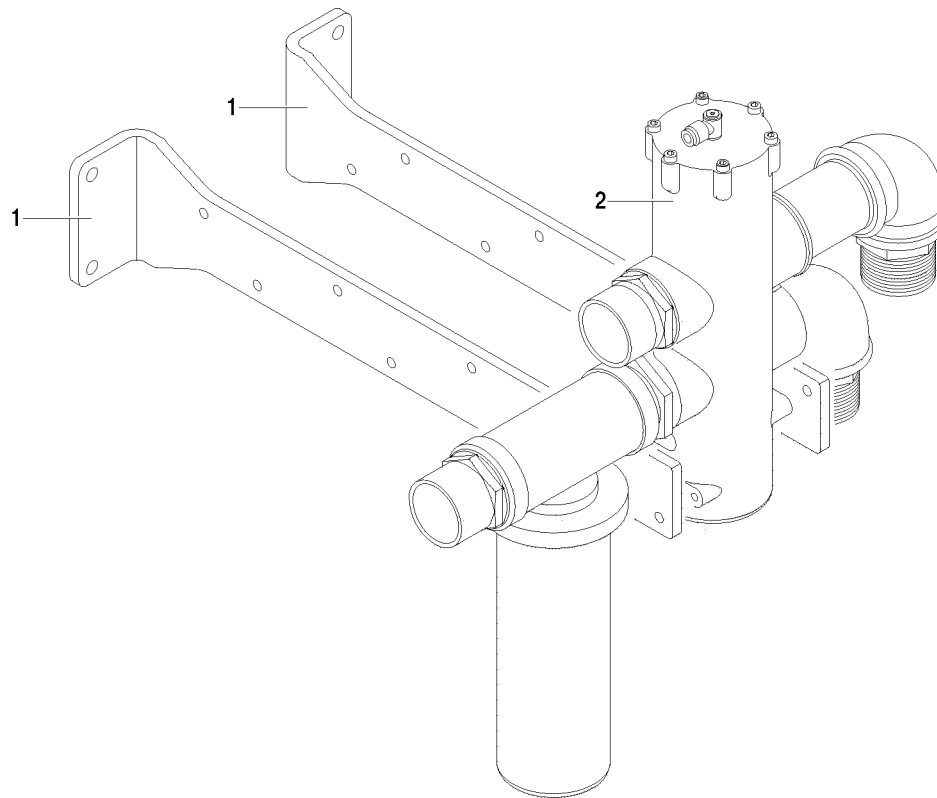
- 1 N0328A00 - 300 M3/H
- 1 N0189A03 - 90 M3/H
- 1 N0160A01 - 250 M3/H
- 1 N0105A06 - 40 M3/H
- 2 1305A0080V - 100 m3/h



N0211A00 - VACUUM PUMP - 69371\_ALL - ROVER A 03-12-2008

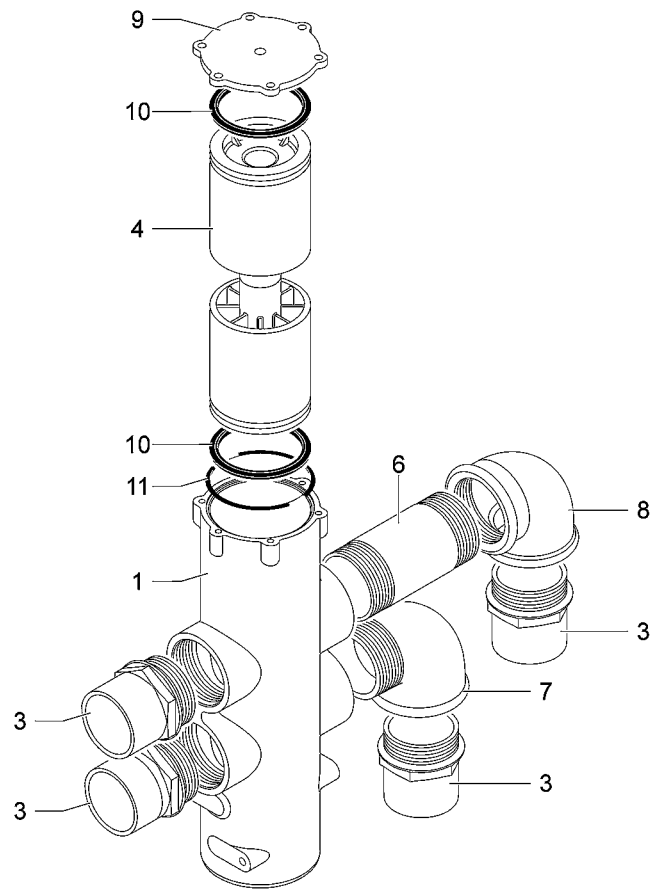
POSITION	DRAWING/COMPONENT	DESCRIPTION
1	N0328A00	VACUUM PUMP 300 M3/H
1	N0189A03	VACUUM PUMP 90 M3/H
1	N0160A01	VACUUM PUMP 250 M3/H
1	N0105A06	VACUUM PUMP 40 M3/H
2	1305A0080V	SUPPORT 100 M3/H

2 N0259A01



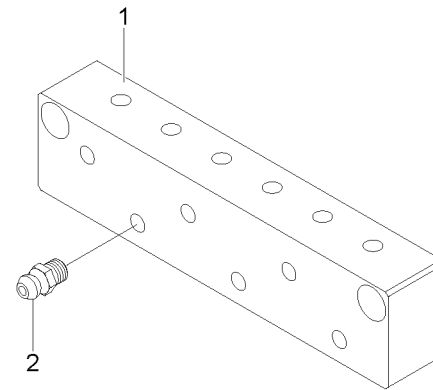
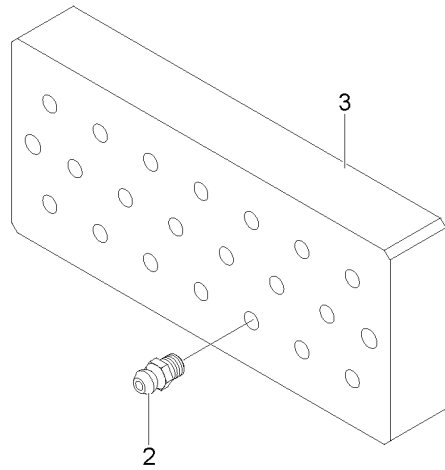
N0255A00 - SUPPORT - 69371\_ALL - ROVER A 03-12-2008

POSITION	DRAWING/COMPONENT	DESCRIPTION
2	N0259A01	FILTER



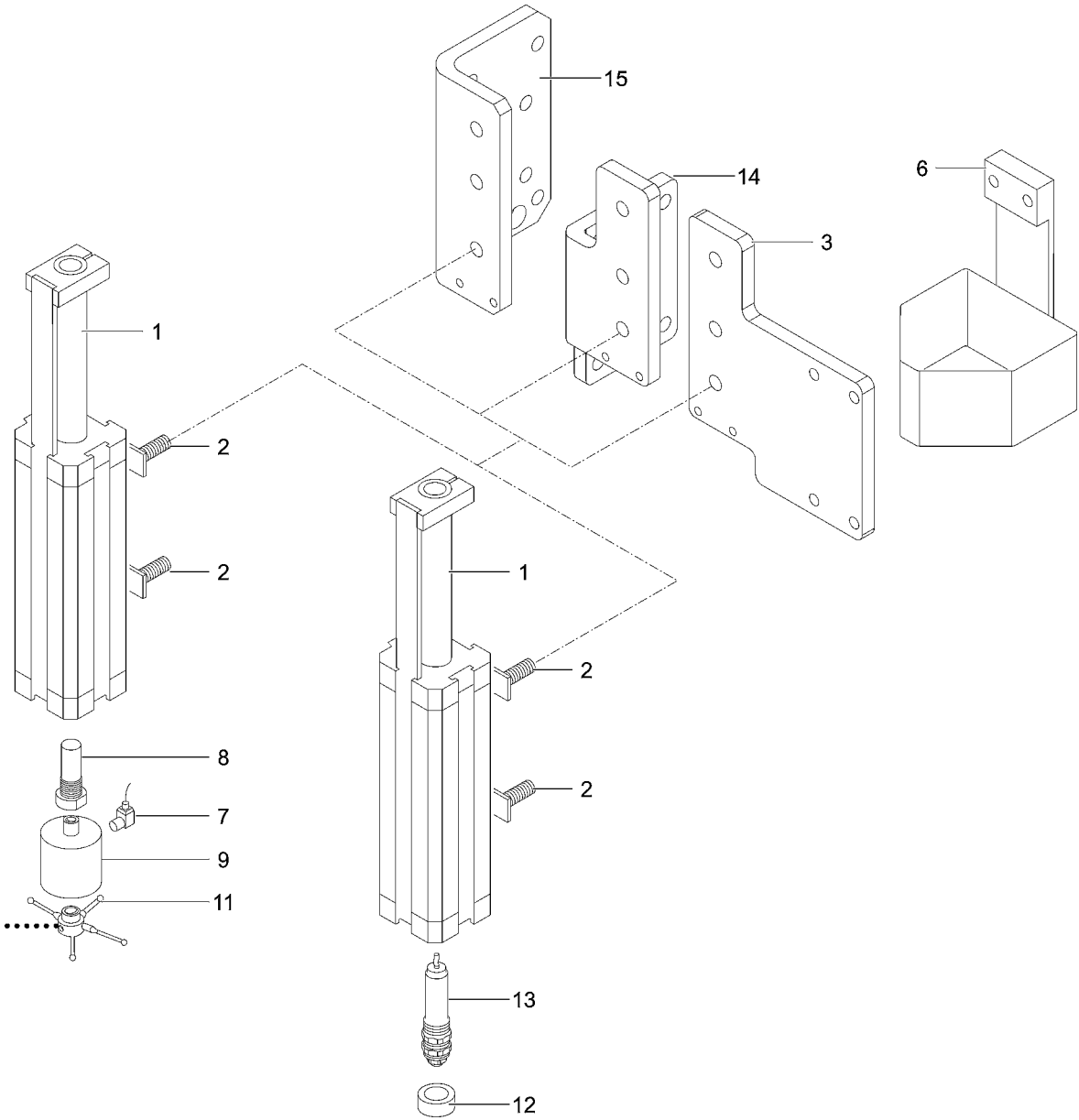
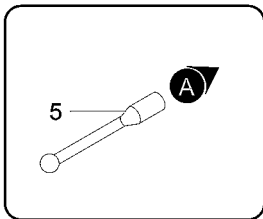
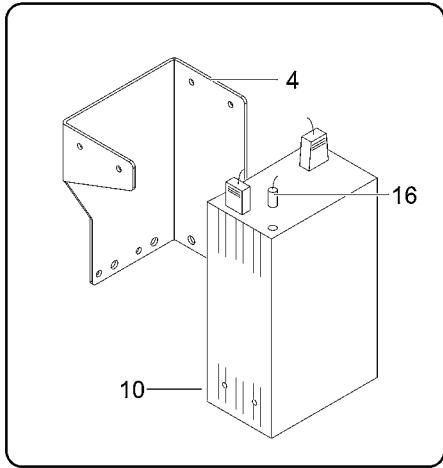


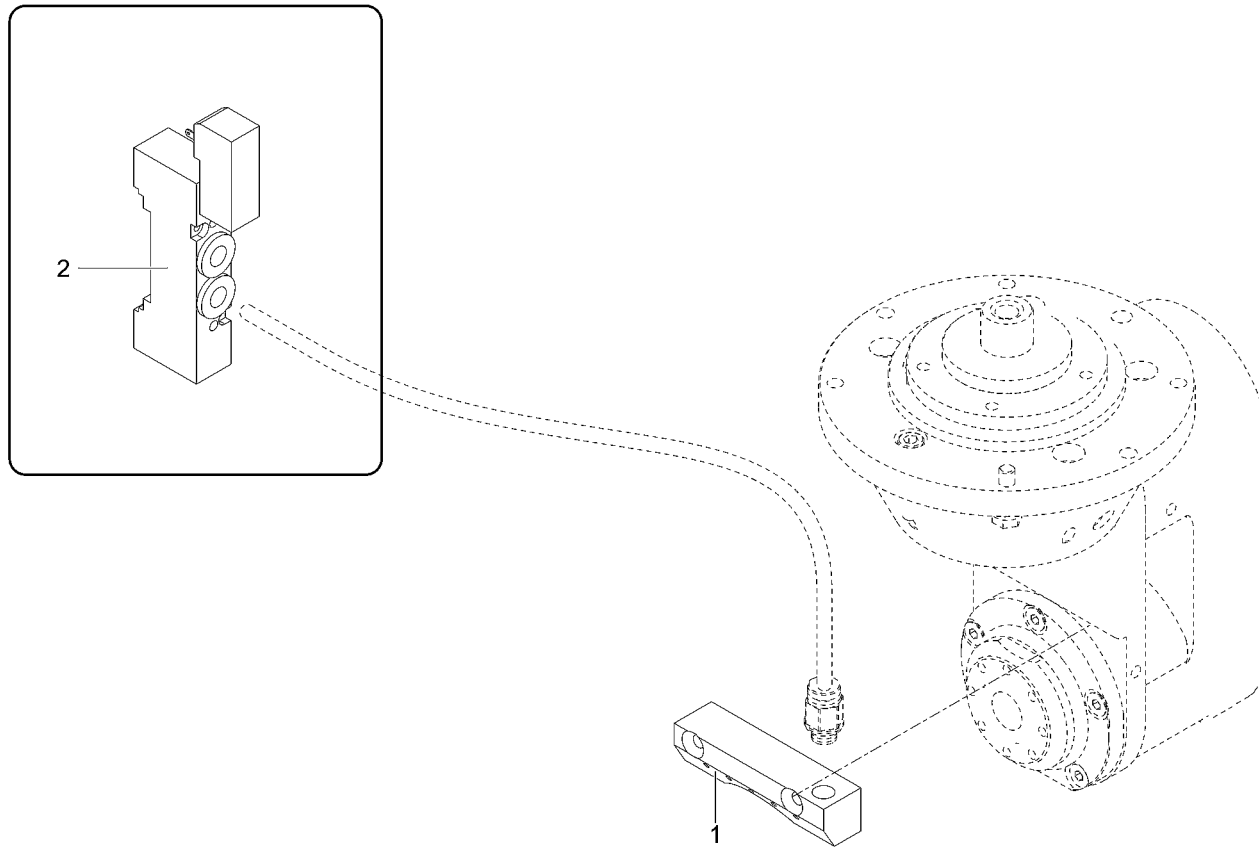
1 0913A0141  
2 260500700



N0279A00 - LUBRICATION SYSTEM - 69371\_ALL - ROVER A 03-12-2008

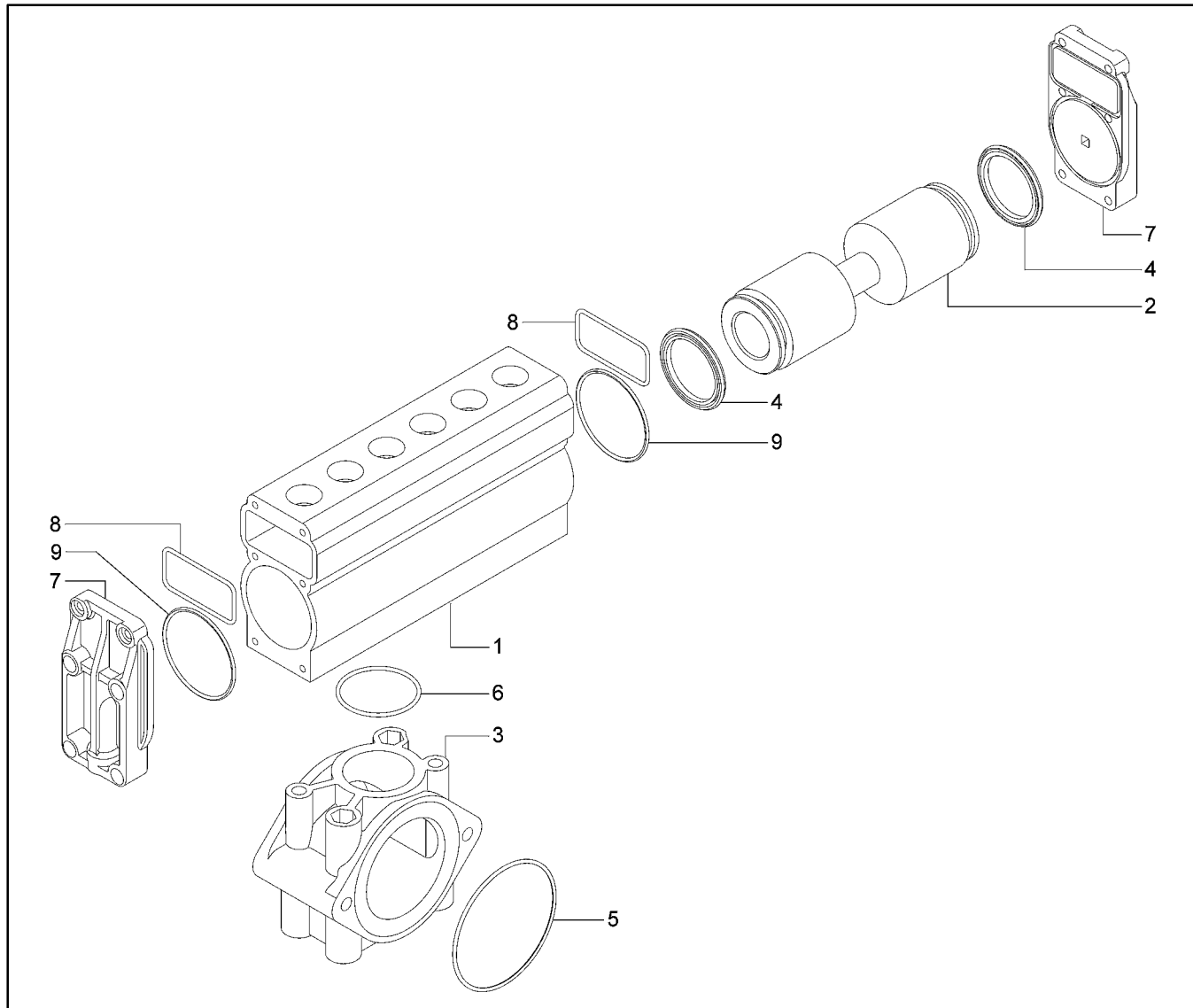
POSITION	DRAWING/COMPONENT	DESCRIPTION
1	0913A0141	DISTRIBUTOR
2	260500700	GREASING NIPPLE





N0314A00 - BLOWER - 69371\_ALL - ROVER A 03-12-2008

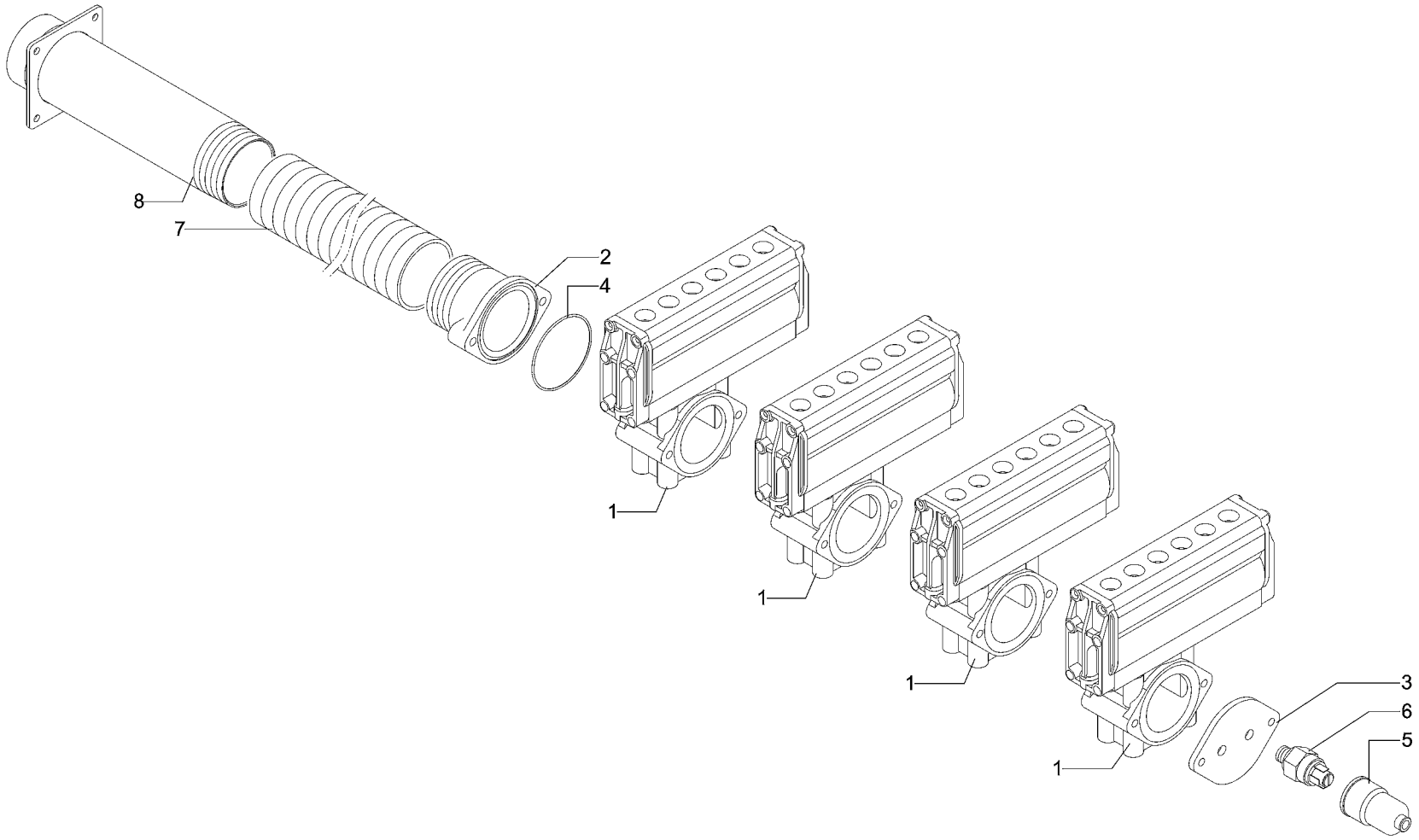
POSITION	DRAWING/COMPONENT	DESCRIPTION
1	0913A0146	BLOWER



- 1 0916A0126
- 2 0904A0006
- 3 1413A0016
- 4 310701500 - PK 40 MERKE..
- 5 311026700
- 6 311002800 - OR 2137
- 7 1401A0076
- 8 311026000
- 9 311026100 - OR 2162
- 10 6358A1078 - ATS

N0320A01 - DISTRIBUTOR - 69371\_ALL - ROVER A 03-12-2008

POSITION	DRAWING/COMPONENT	DESCRIPTION
1	0916A0126	VACUUM VALVE
2	0904A0006	SHUTTER
3	1413A0016	DISTRIBUTOR
4	310701500	GASKET PK 40 MERKEL
5	311026700	SEAL RING
6	311002800	RING OR 2137
7	1401A0076	PLUG
8	311026000	GASKET
9	311026100	RING OR 2162
10	6358A1078	VACUUM VALVE ATS



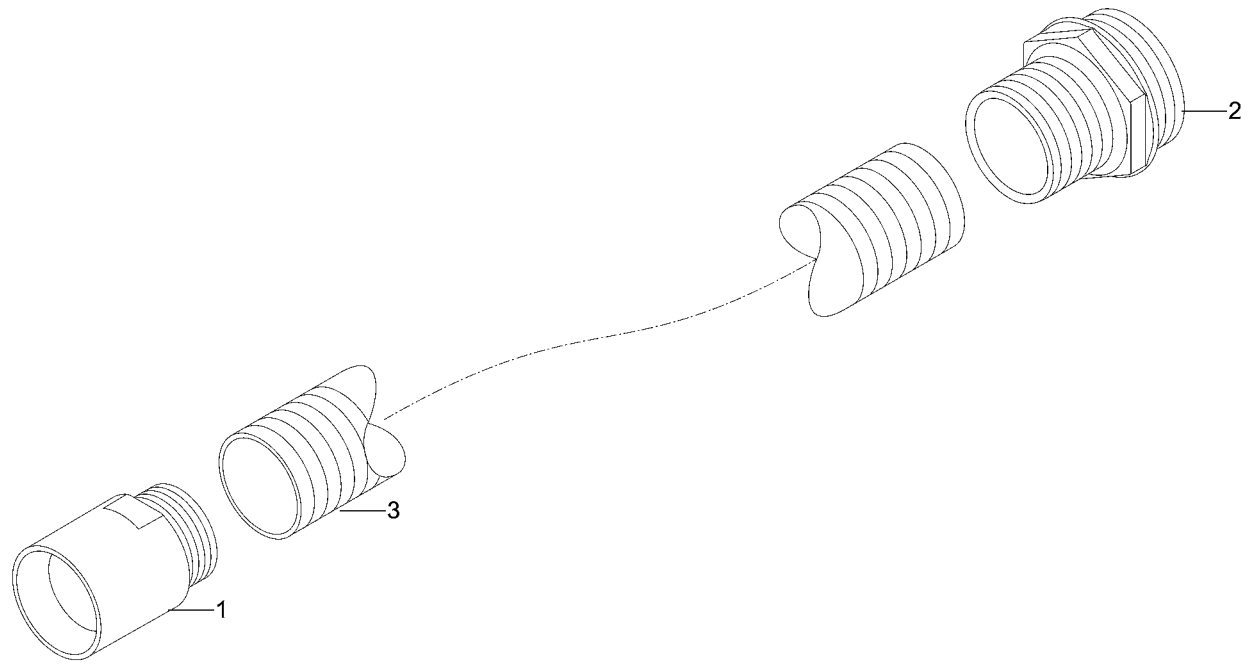
- 1 6358A1078 - ATS
- 1 N0320A01
- 2 1401A0070
- 3 0801A0476
- 4 311026700
- 5 2138A0038
- 6 2426A0067 - VSA1SCR14T2..
- 7 2443A0181 - D=60
- 8 1213A0023



N0321A00 - DISTRIBUTOR - 69371\_ALL - ROVER A 03-12-2008

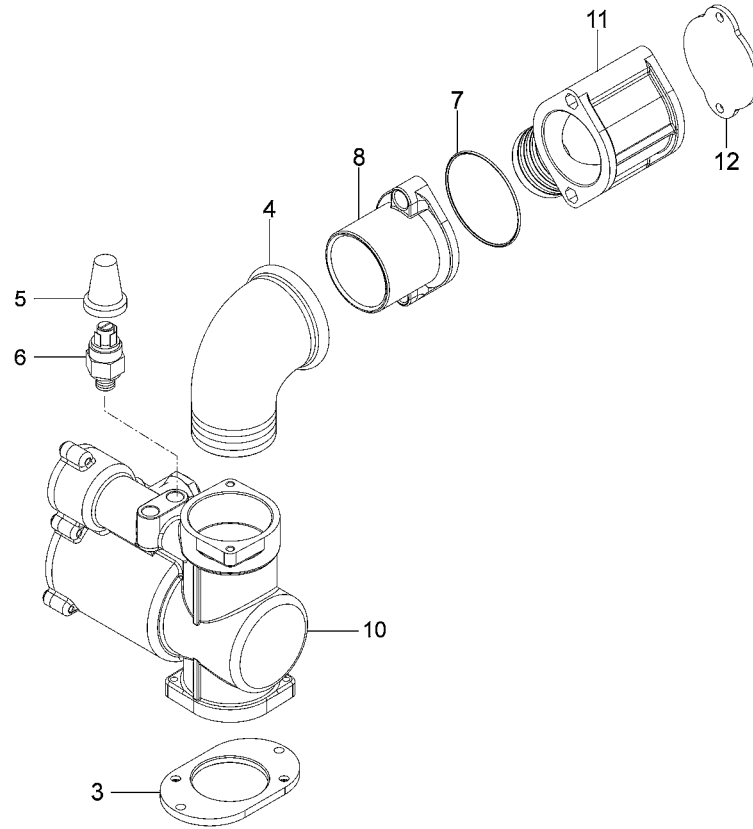
POSITION	DRAWING/COMPONENT	DESCRIPTION
1	6358A1078	VACUUM VALVE ATS
1	N0320A01	DISTRIBUTOR
2	1401A0070	FLANGE
3	0801A0476	PLUG
4	311026700	SEAL RING
5	2138A0038	CAP
6	2426A0067	VACUOSTAT VSA1SCR14T25D
7	2443A0181	PIPE D=60
8	1213A0023	PIPE

- 1 0804A0223
- 2 1401A0071 - D=50
- 3 2443A0006 - D=50



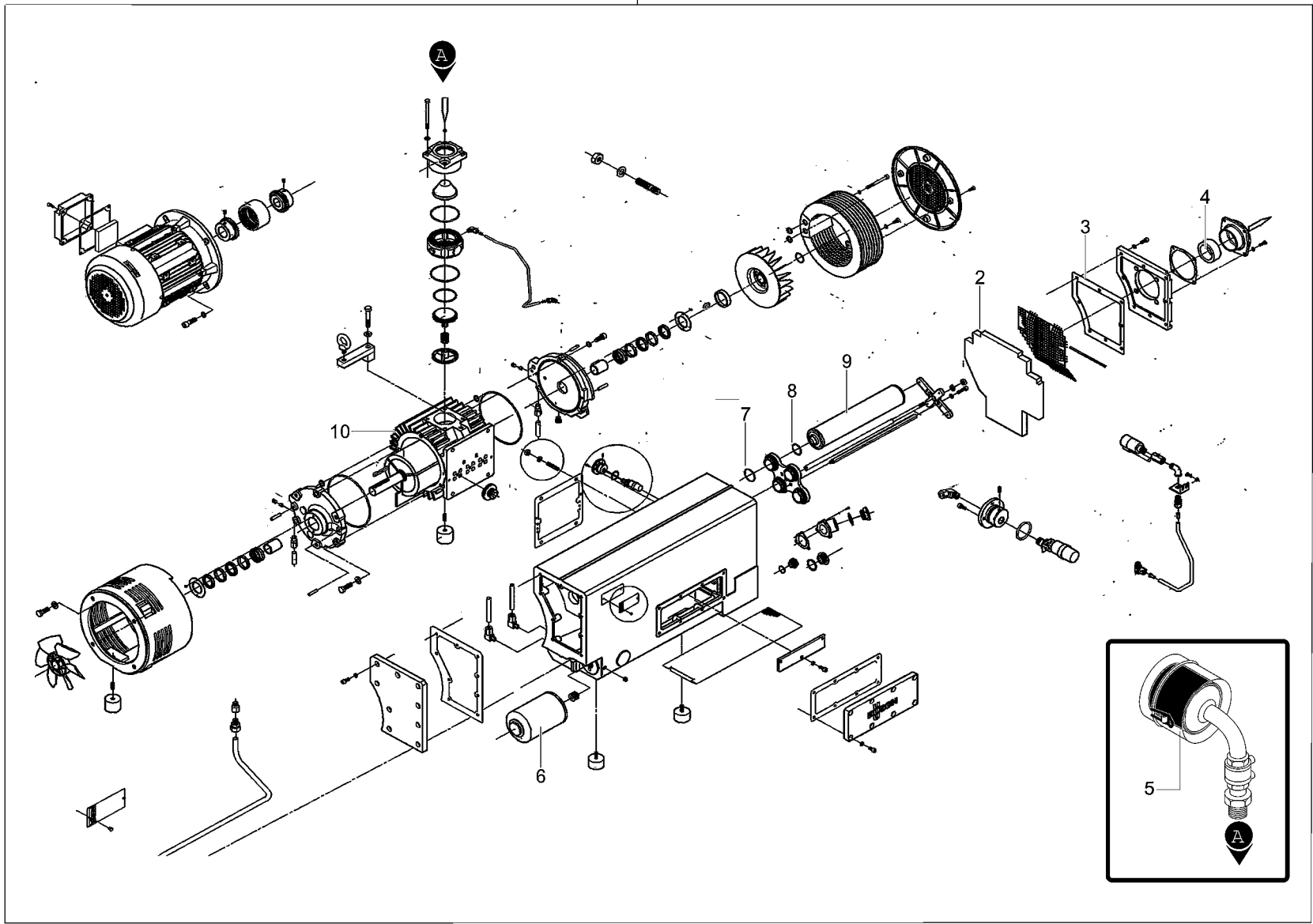
N0322A00 - PNEUMATIC SYSTEM - 69371\_ALL - ROVER A 03-12-2008

POSITION	DRAWING/COMPONENT	DESCRIPTION
1	0804A0223	OUTLET CONNECTOR
2	1401A0071	FLANGE D=50
3	2443A0006	PIPE D=50



N0326A04 - VALVE - 69371\_ALL - ROVER A 03-12-2008

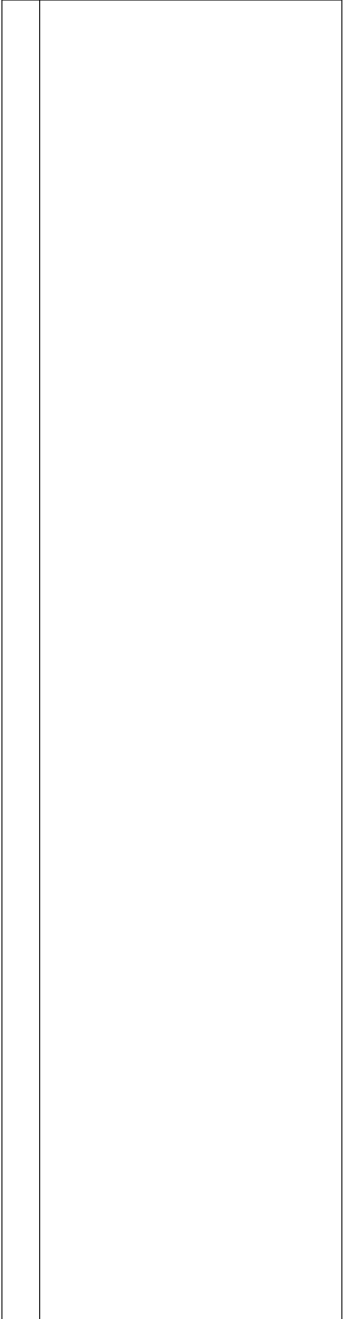
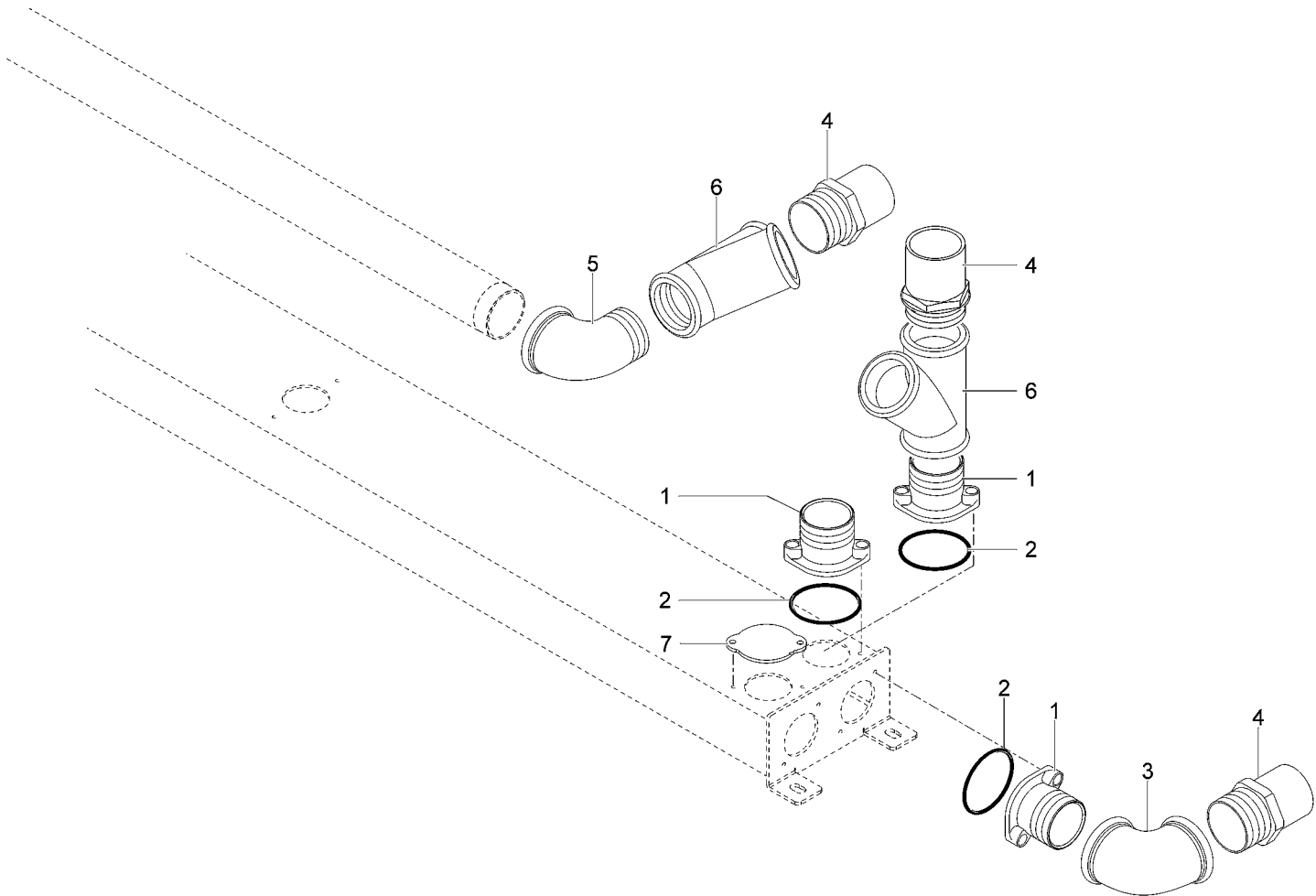
POSITION	DRAWING/COMPONENT	DESCRIPTION
10	N0387A00	VALVE

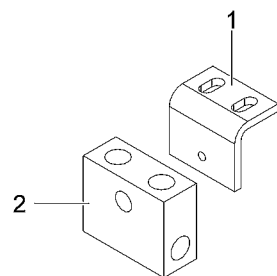


**BIESSE**

VACUUM PUMP - 300 M3/H - 69371\_ALL - ROVER A 03-12-2008

N0328 A  
00



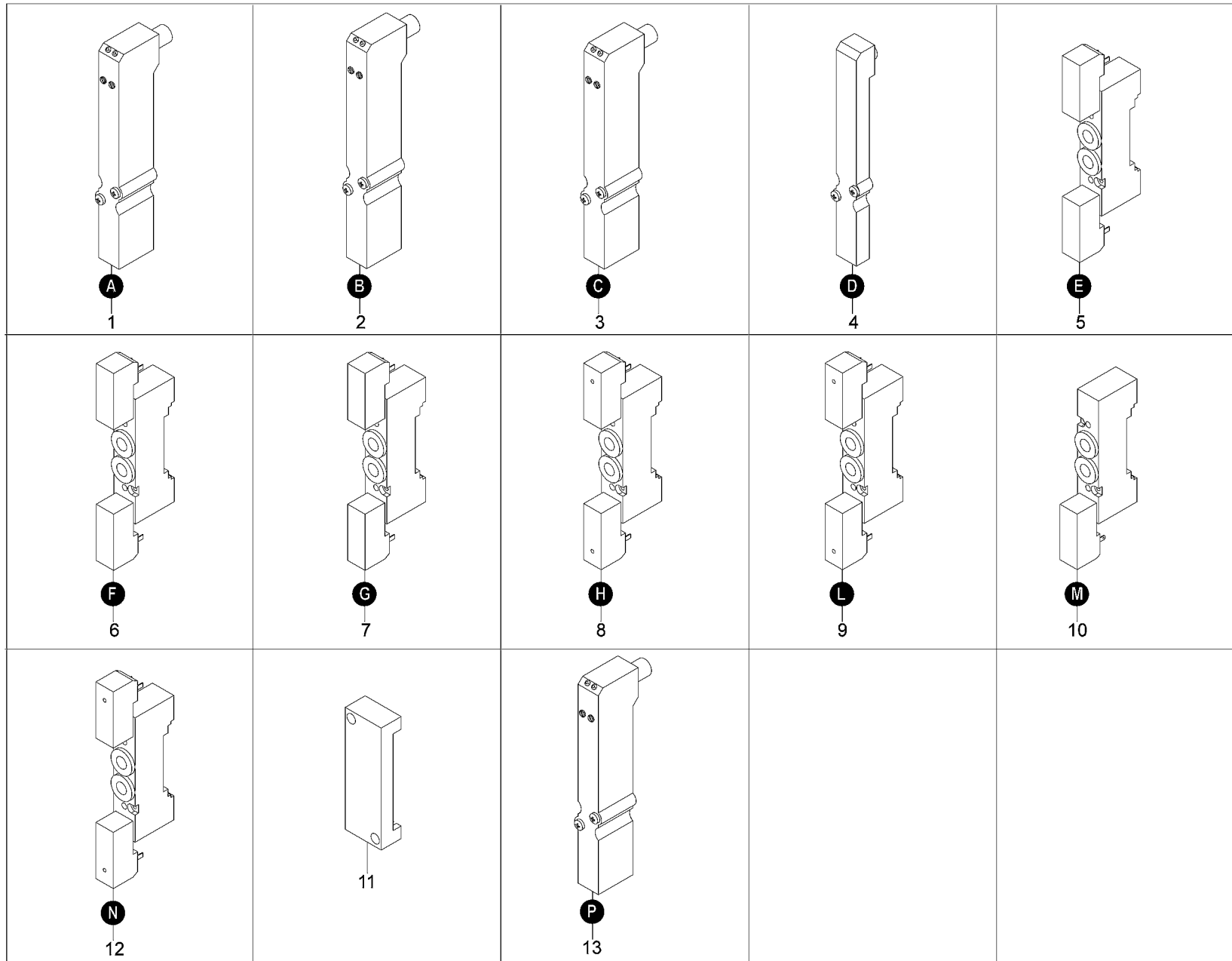




N0333A00 - BLOWER - 69371\_ALL - ROVER A 03-12-2008

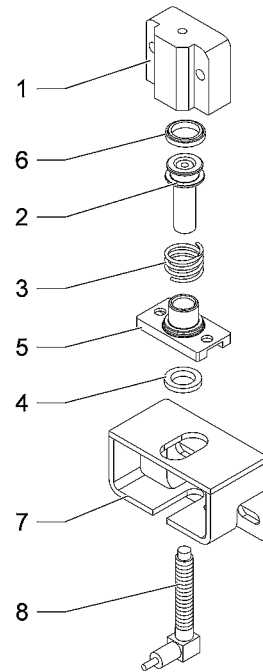
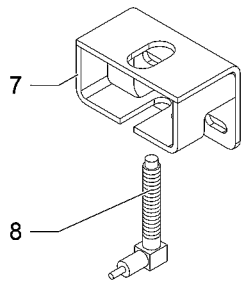
POSITION	DRAWING/COMPONENT	DESCRIPTION
2	091302800	BLOCK ISO 30

- 1 6425A0130 - 0 820 055 5..
- 2 6425A0135 - 0 820 055 0..
- 3 6425A0132 - 0 820 055 1..
- 4 2138A0678

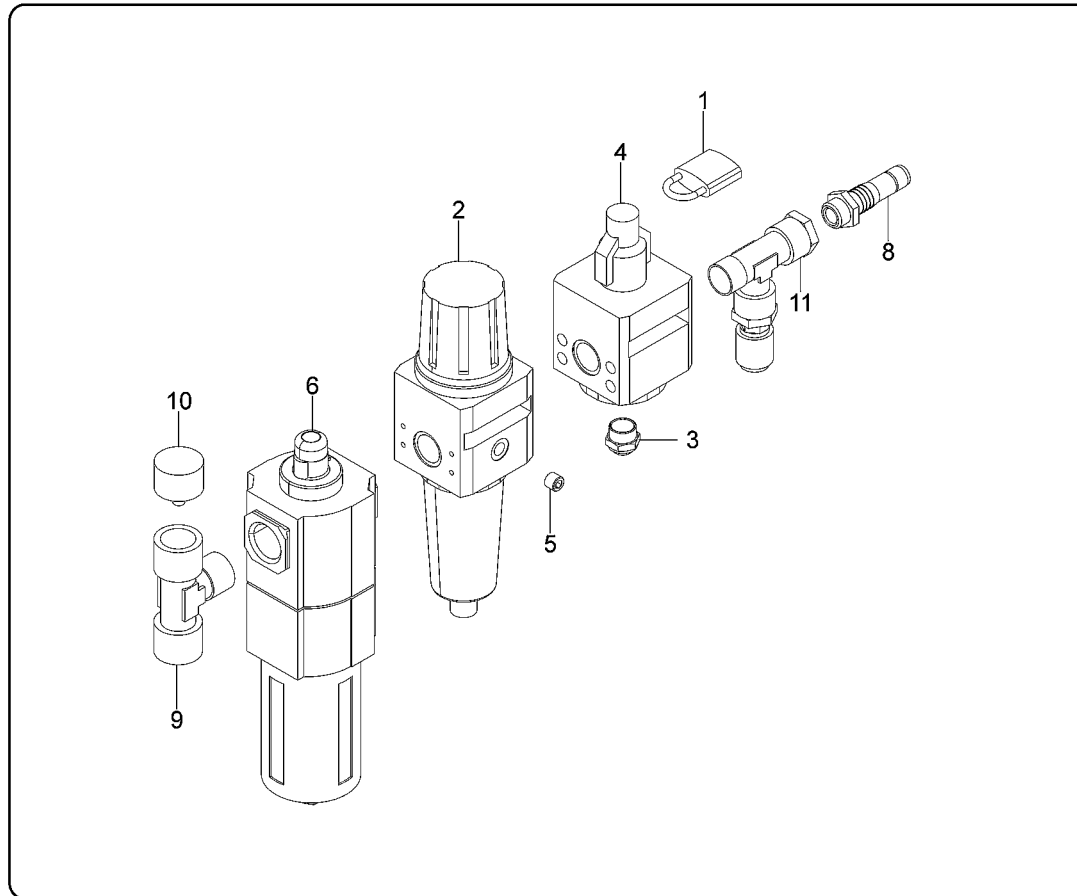


N0336A01 - ELECTROVALVE - 69371\_ALL - ROVER A 03-12-2008

POSITION	DRAWING/COMPONENT	DESCRIPTION
1	6425A0130	ELECTROVALVE 0 820 055 501
2	6425A0135	ELECTROVALVE 0 820 055 051
3	6425A0132	ELECTROVALVE 0 820 055 101
4	2138A0678	PLATE

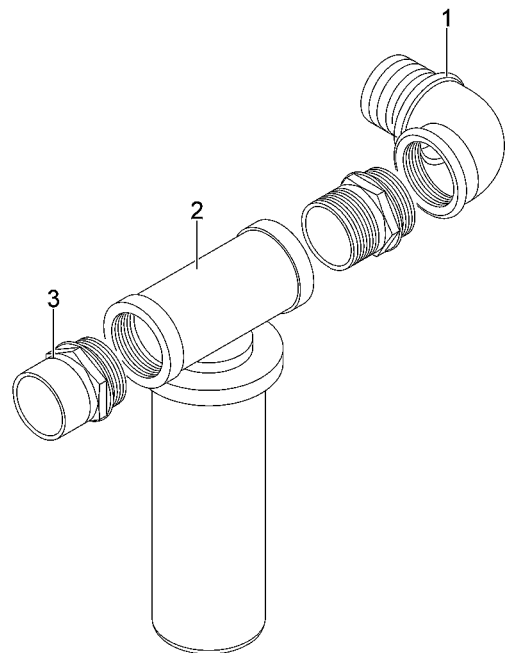


- 1 2010A0006
- 2 2422A0114
- 3 2412A0022
- 4 2413A0006
- 5 245510800 - F=1/8
- 6 2422A0203
- 7 6420A0119
- 8 0804A0285
- 9 245019900 - f=1/2 F=1/2
- 10 242400400 - 9700101 0-1..
- 11 2450A3244

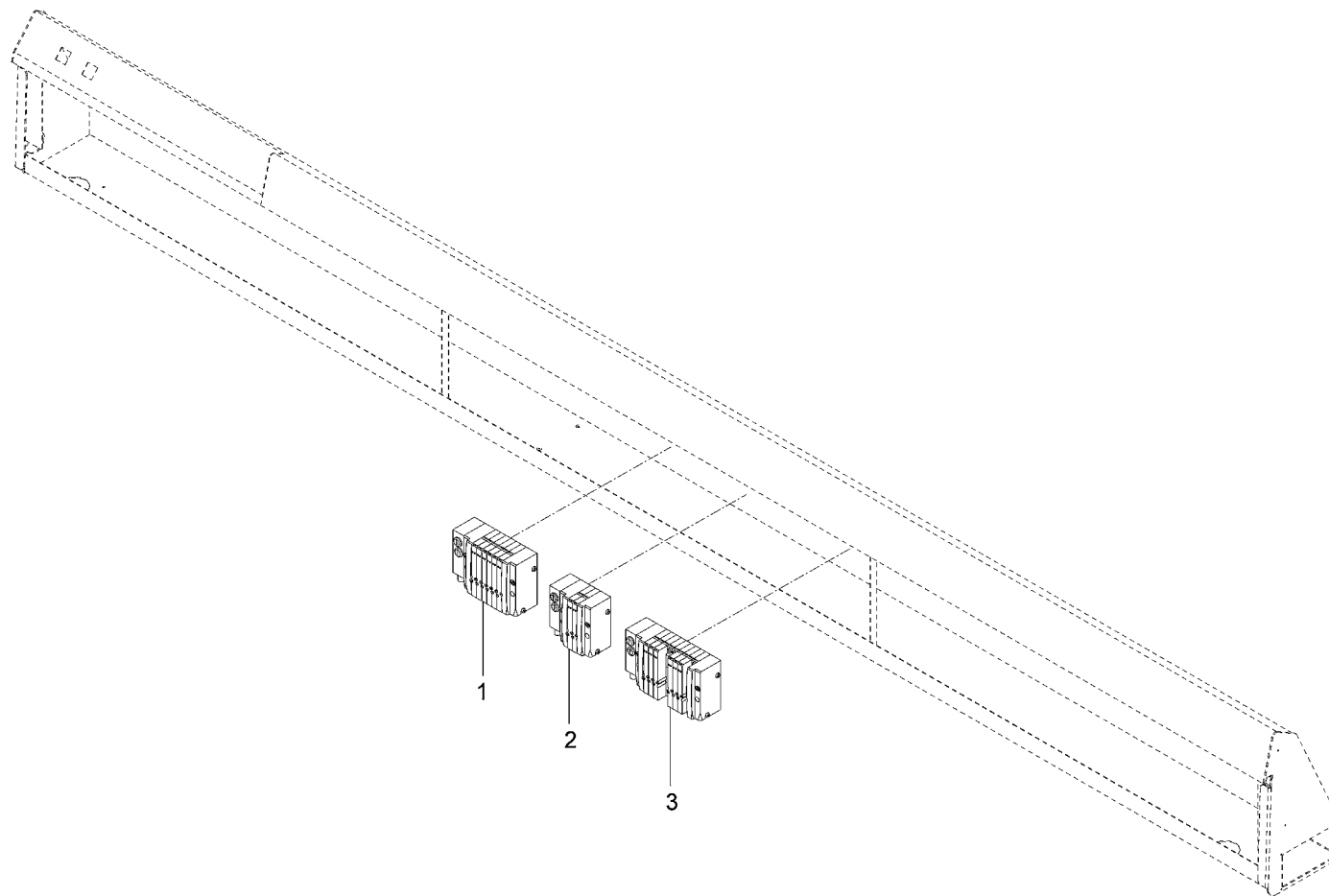


N0365A01 - MAIN FILTER - 69371\_ALL - ROVER A 03-12-2008

POSITION	DRAWING/COMPONENT	DESCRIPTION
1	2010A0006	LOCK
2	2422A0114	FILTER
3	2412A0022	SILENCER
4	2413A0006	VALVE
5	245510800	PLUG F=1/8
6	2422A0203	CONNECTOR
7	6420A0119	FILTER UNIT
8	0804A0285	CONNECTOR
9	245019900	CONNECTOR F=1/2 F=1/2
10	242400400	PRESSURE GAUGE 9700101 0-12 BAR D40 METALWORK
11	2450A3244	CONNECTOR



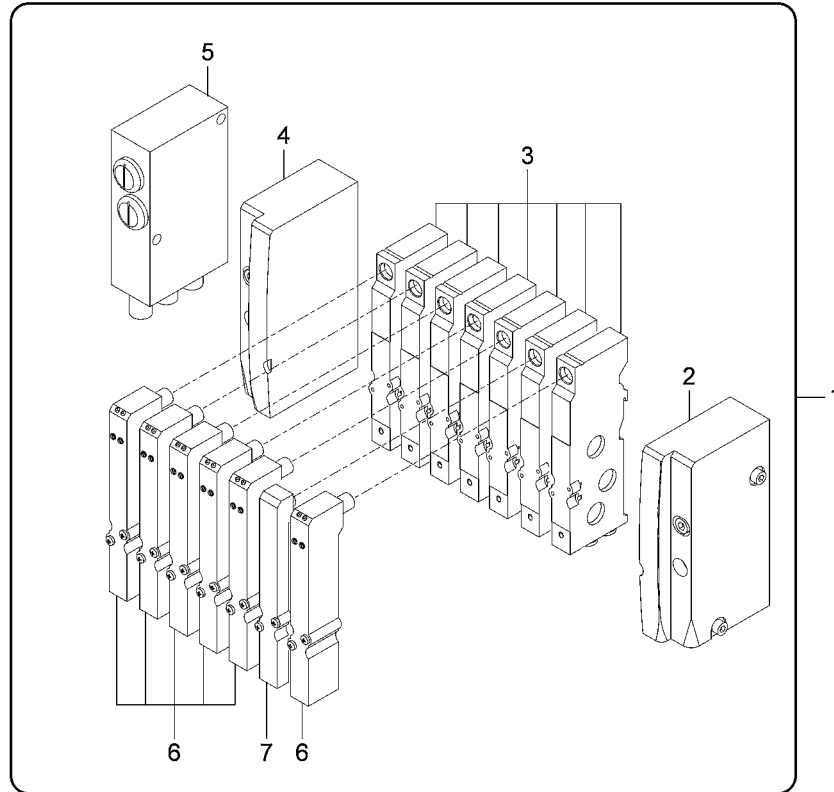
- 1 N0376A01
- 2 N0405A00
- 3 N0396A00



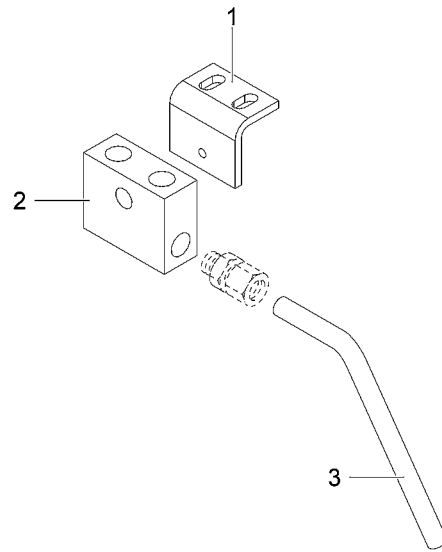


N0372A02 - ELECTROVALVE - 69371\_ALL - ROVER A 03-12-2008

POSITION	DRAWING/COMPONENT	DESCRIPTION
1	N0376A01	ELECTROVALVE
2	N0405A00	ELECTROVALVE
3	N0396A00	ELECTROVALVE



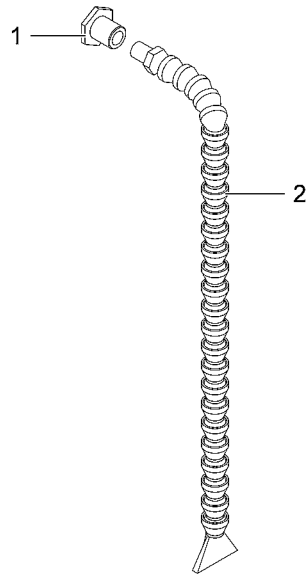
- 1 1205A0853
- 2 091302800 - ISO 30



N0377A00 - BLOWER - 69371\_ALL - ROVER A 03-12-2008

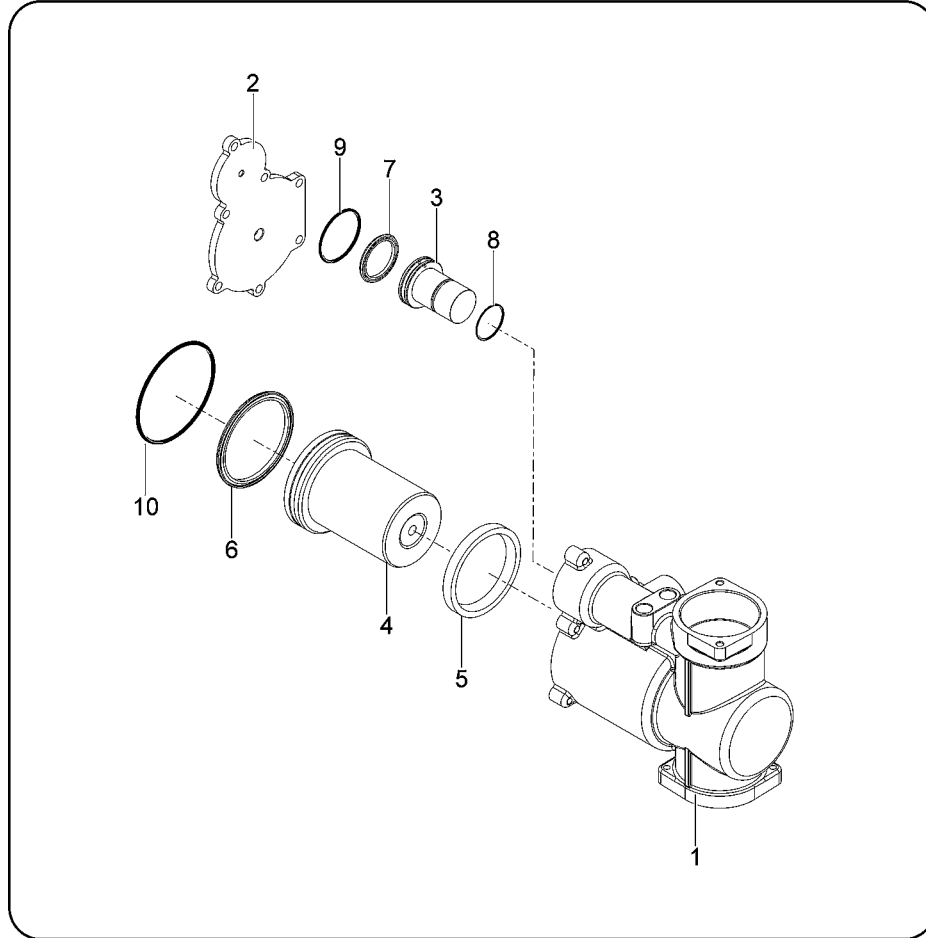
POSITION	DRAWING/COMPONENT	DESCRIPTION
1	1205A0853	SUPPORT
2	091302800	BLOCK ISO 30

1 0804A0330  
2 1655A0001

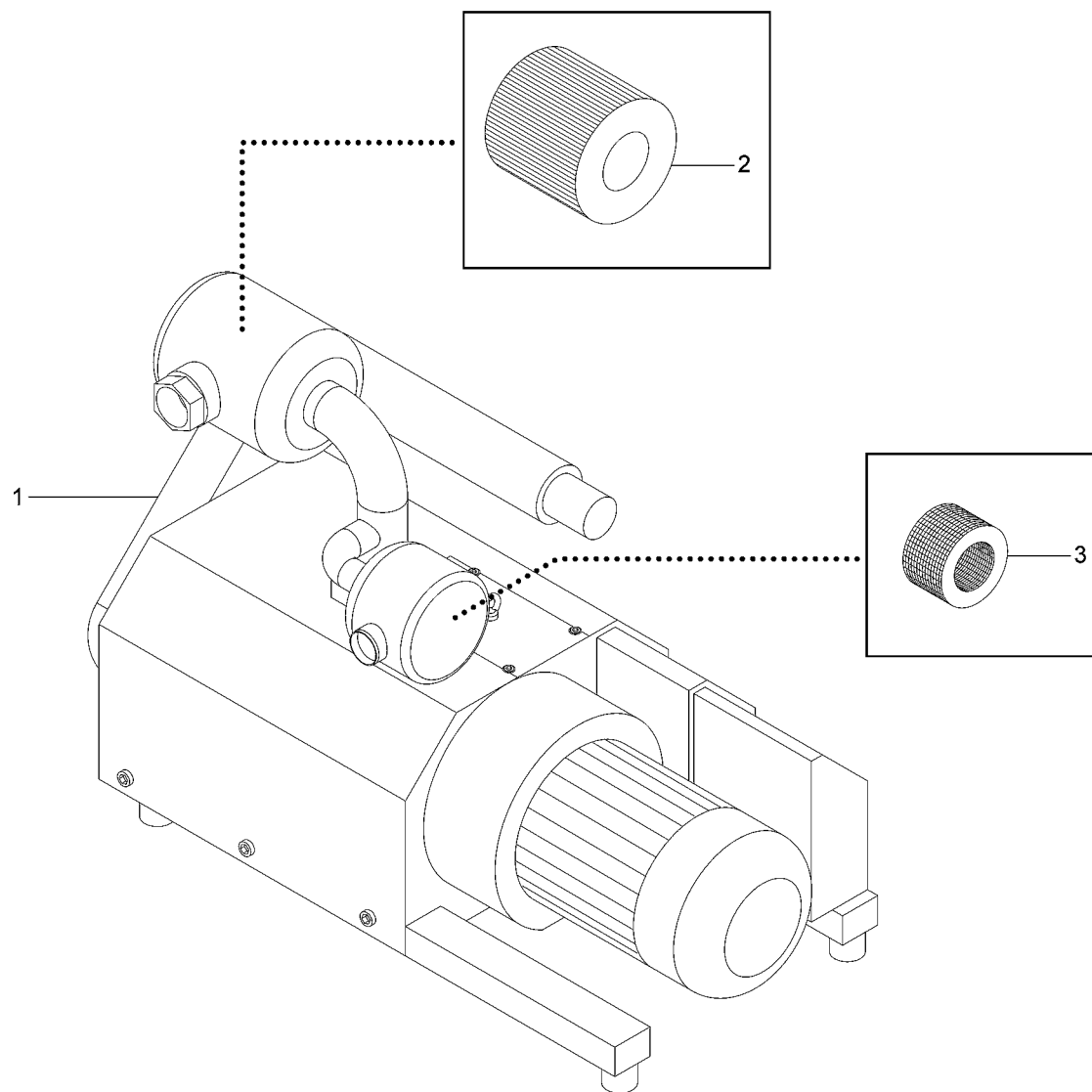


N0382A00 - BLOWER - 69371\_ALL - ROVER A 03-12-2008

POSITION	DRAWING/COMPONENT	DESCRIPTION
1	0804A0330	SCREW
2	1655A0001	CONNECTOR



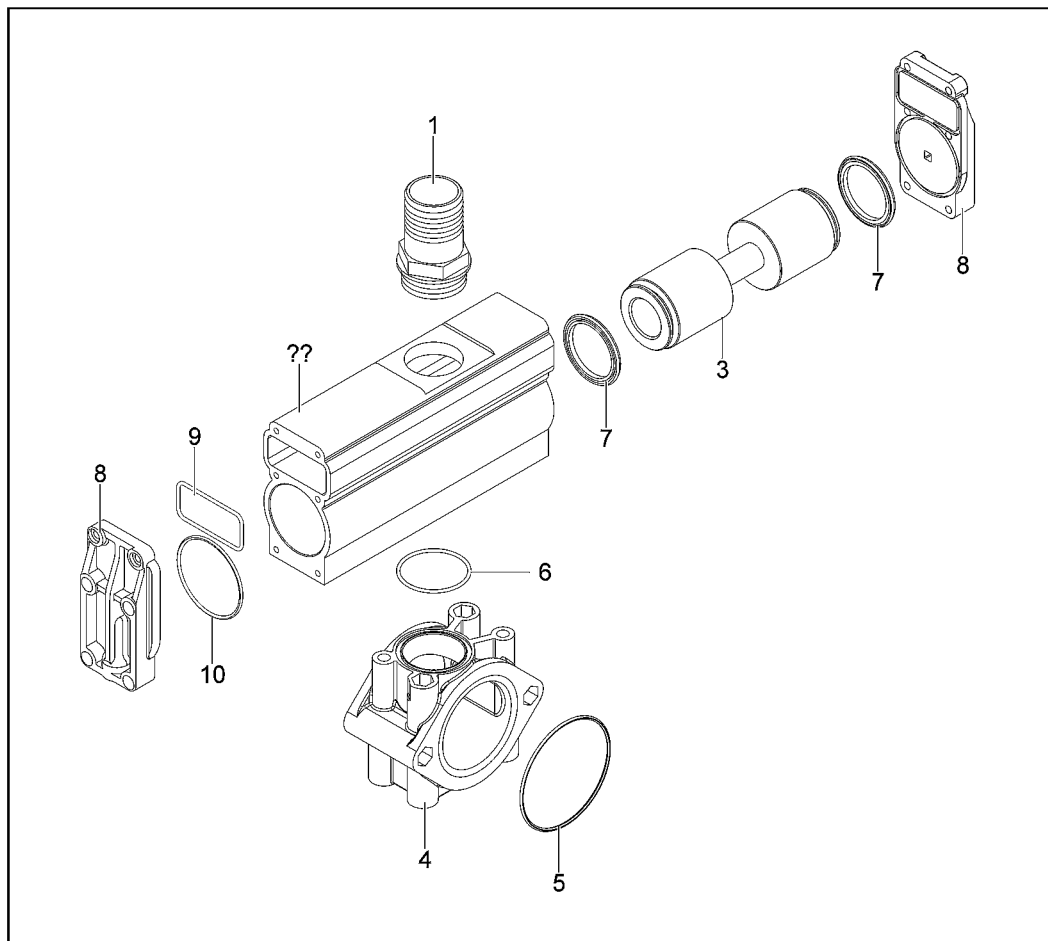
- 1 6404A0076 - 300 M3/H
- 2 2422A0198
- 3 2422A0214

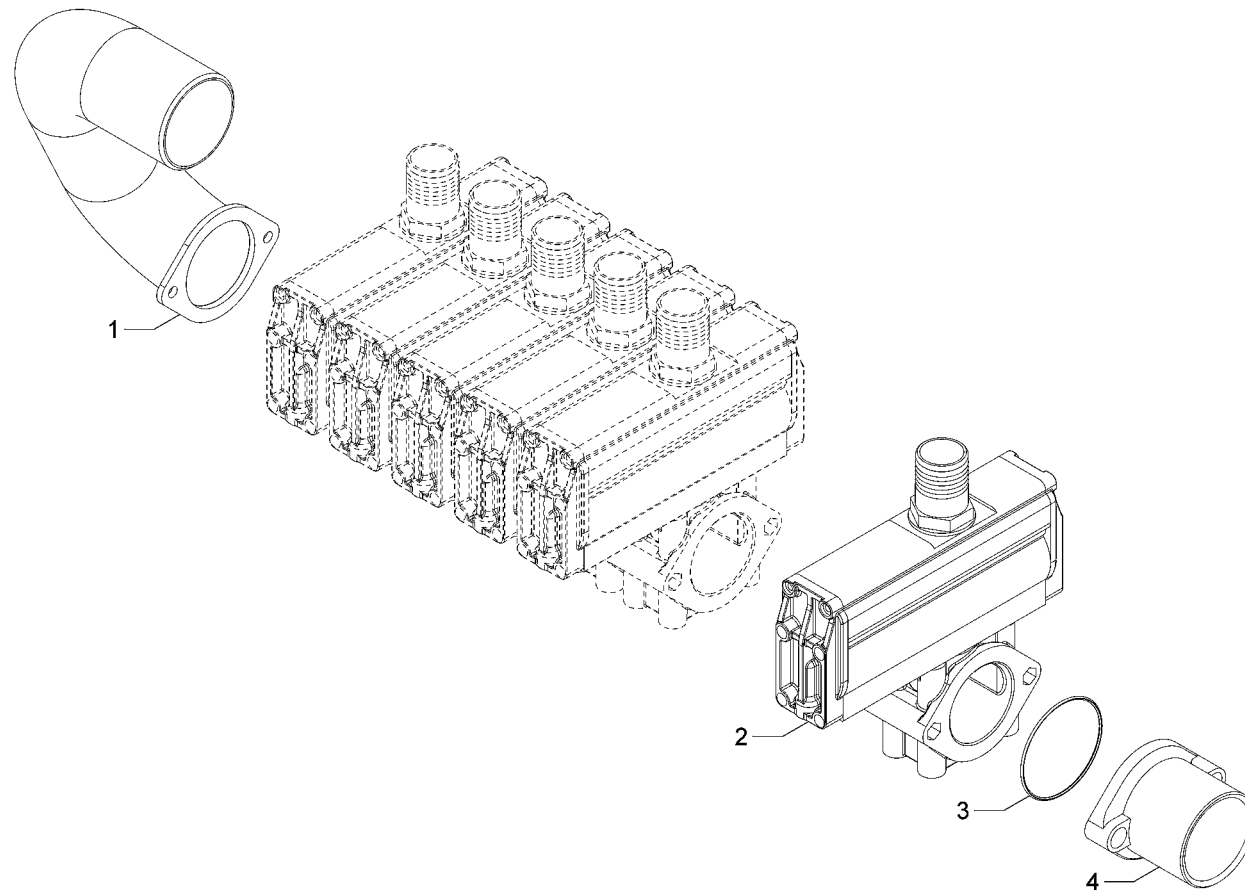




N0389A00 - VACUUM PUMP - 300 M3/H - 69371\_ALL - ROVER A 03-12-2008

POSITION	DRAWING/COMPONENT	DESCRIPTION
1	6404A0076	PUMP 300 M3/H
2	2422A0198	CARTRIDGE
3	2422A0214	CARTRIDGE

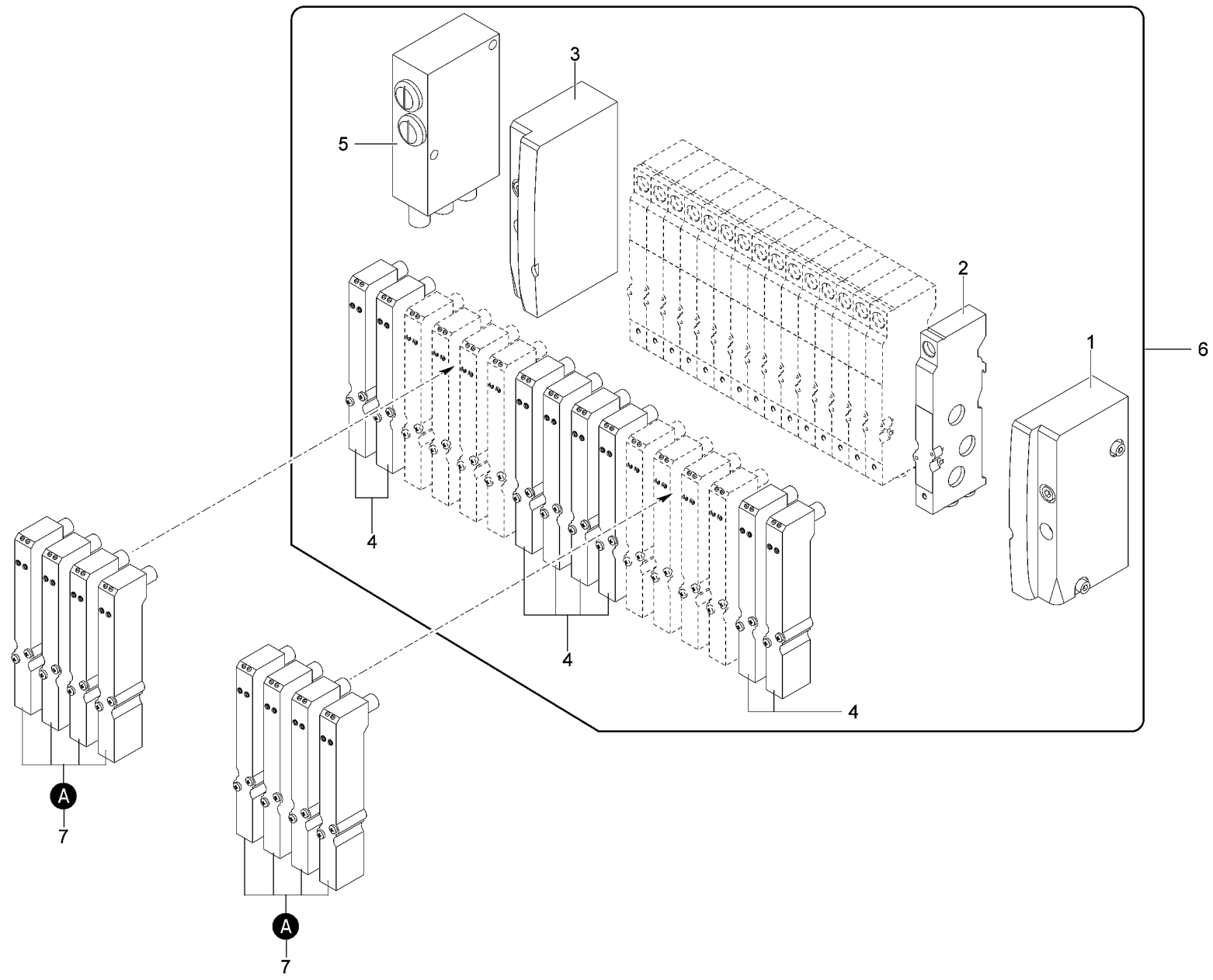




N0394A01 - VALVE - 69371\_ALL - ROVER A 03-12-2008

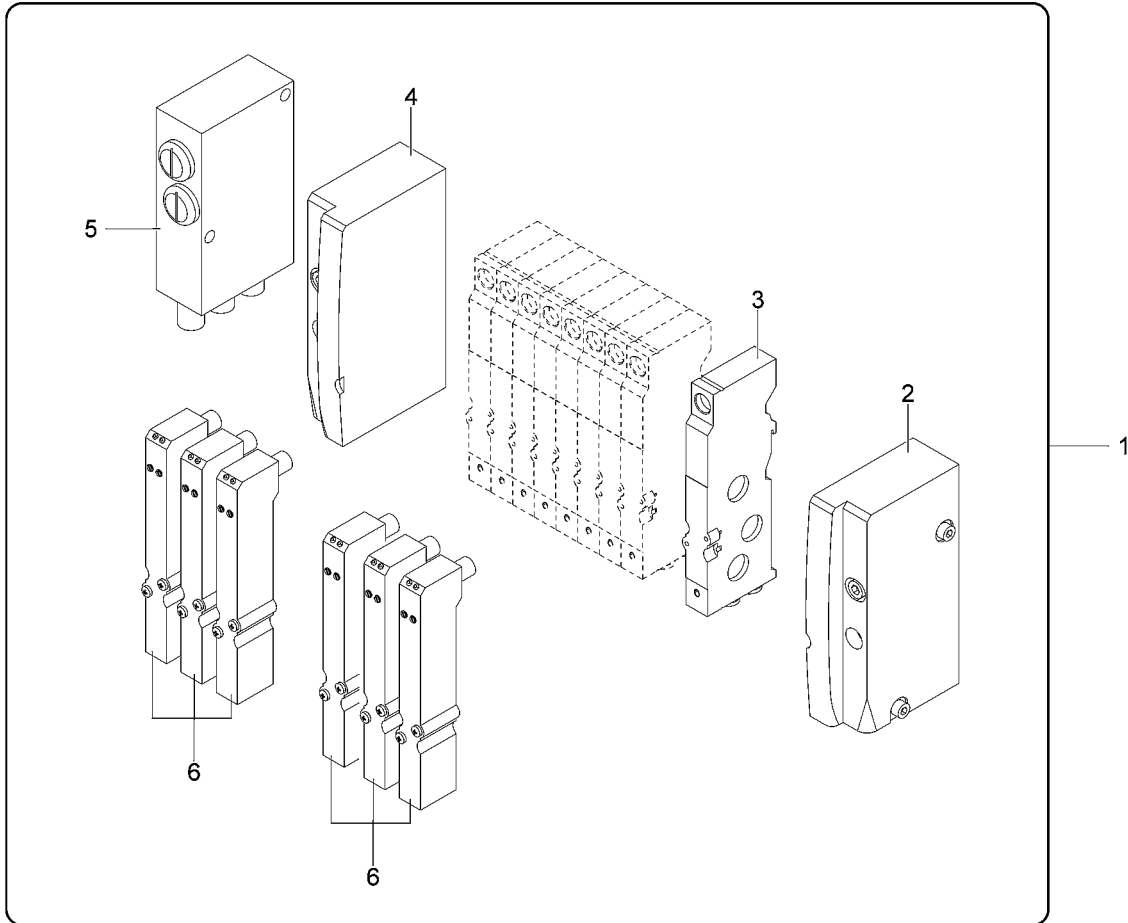
POSITION	DRAWING/COMPONENT	DESCRIPTION
2	N0393A00	VALVE

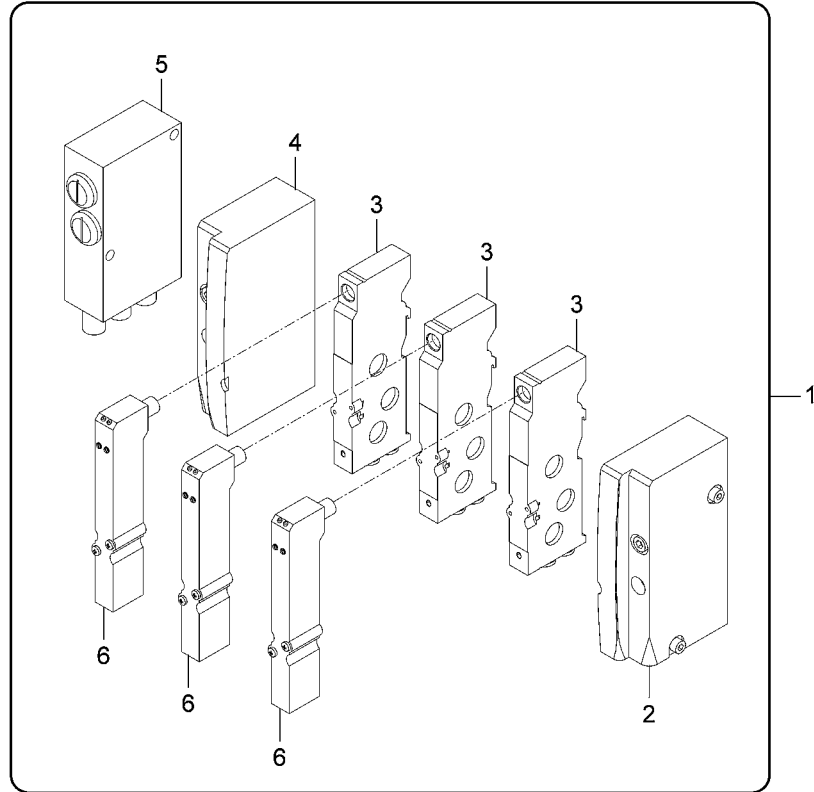
- 1 2307A0010
- 2 2306A0046
- 3 2307A0011
- 4 6425A0130 - 0 820 055 5..
- 5 6483A0013
- 6 6362A0582
- 7 N0336A01



N0395A00 - ELECTROVALVE - 69371\_ALL - ROVER A 03-12-2008

POSITION	DRAWING/COMPONENT	DESCRIPTION
1	2307A0010	END
2	2306A0046	PLATE
3	2307A0011	END
4	6425A0130	ELECTROVALVE 0 820 055 501
5	6483A0013	CONTROL MODULE UNIT
6	6362A0582	ELECTROVALVE
7	N0336A01	ELECTROVALVE





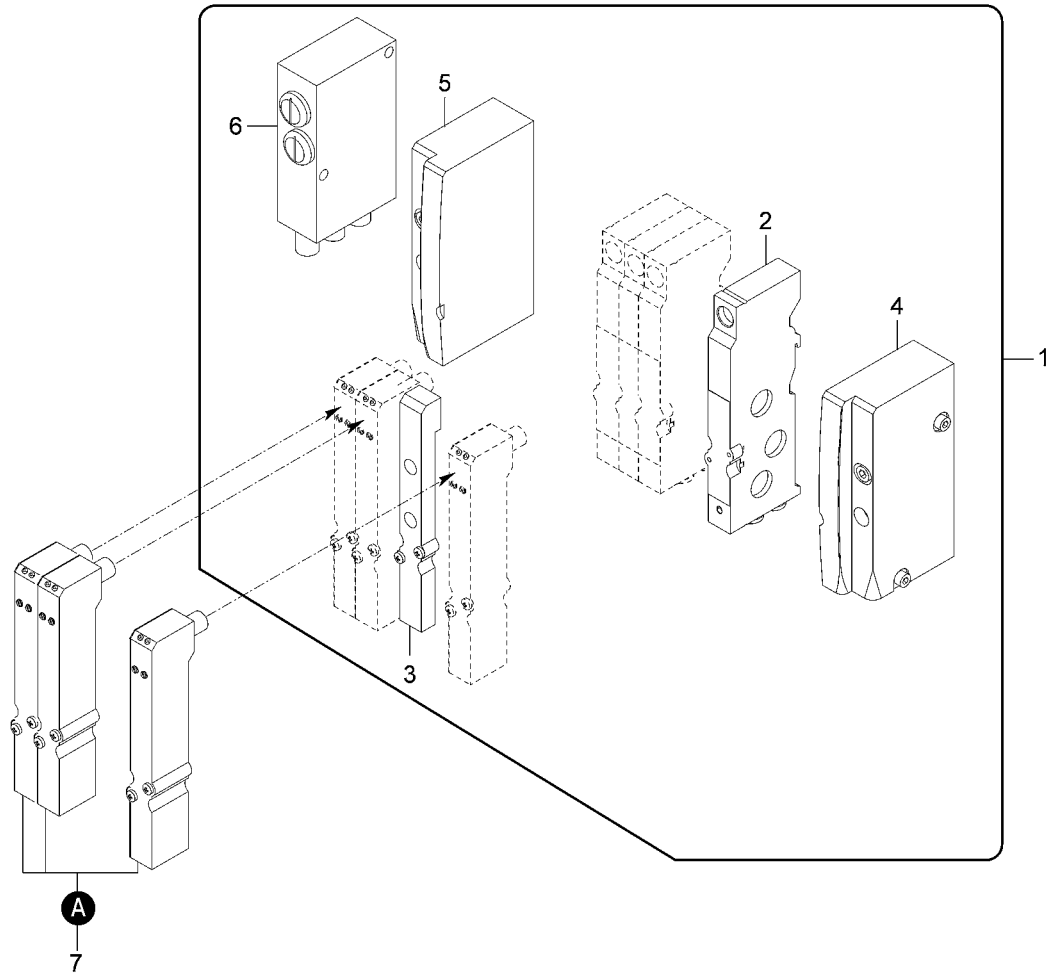




N0402A00 - ELECTROVALVE - BH21 - 69371\_ALL - ROVER A 03-12-2008

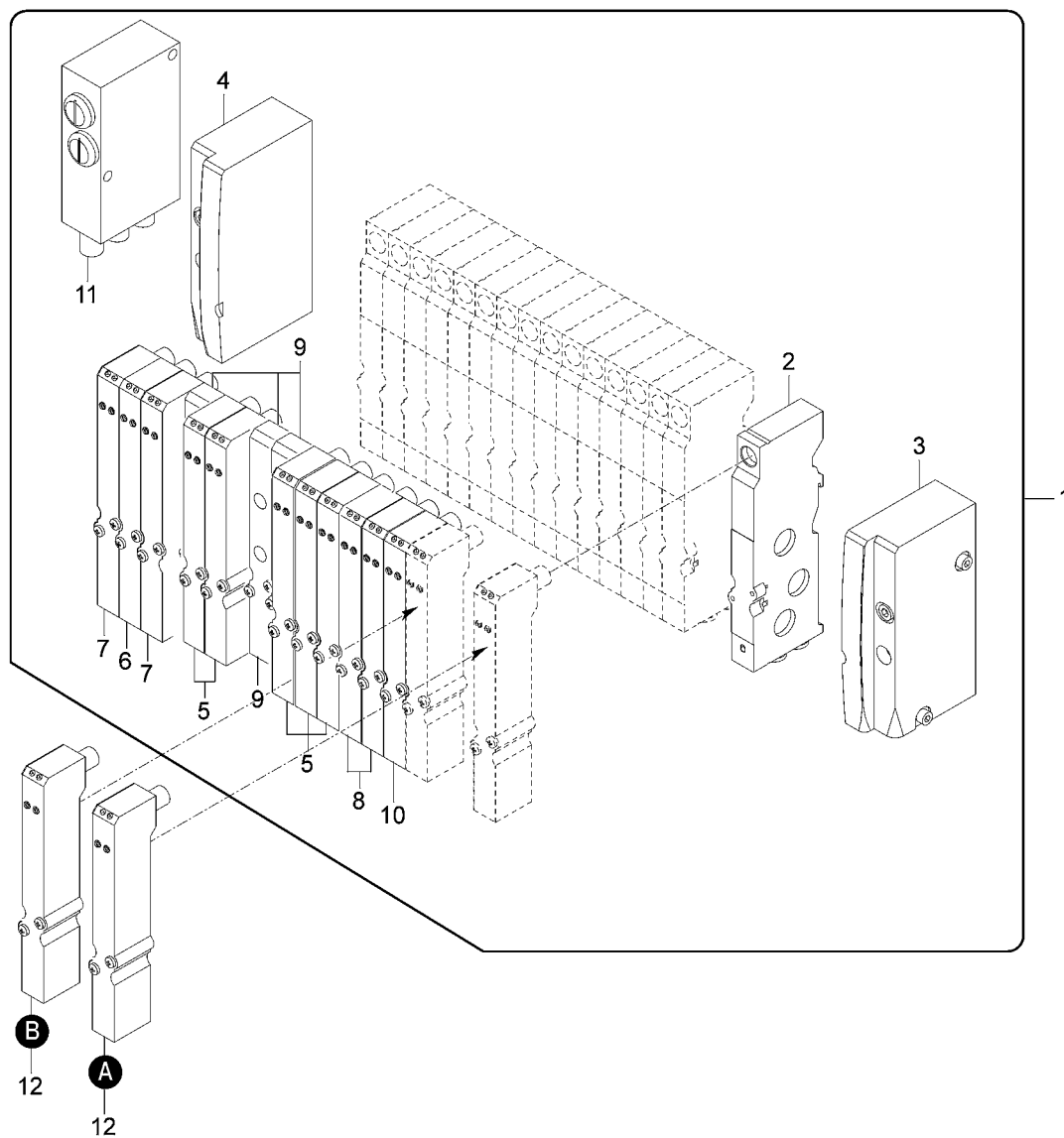
POSITION	DRAWING/COMPONENT	DESCRIPTION
1	6362A0578	ELECTROVALVE
2	2306A0046	PLATE
3	2307A0010	END
4	2307A0011	END
5	6425A0130	ELECTROVALVE 0 820 055 501
6	6425A0131	ELECTROVALVE 0 820 055 601
7	6425A0132	ELECTROVALVE 0 820 055 101
8	6425A0133	ELECTROVALVE 0 820 055 301
9	6425A0135	ELECTROVALVE 0 820 055 051
10	6483A0013	CONTROL MODULE UNIT
11	N0336A01	ELECTROVALVE

- 1 6362A0580
- 2 2306A0046
- 3 2306A0048
- 4 2307A0010
- 5 2307A0011
- 6 6483A0013
- 7 N0336A01



N0403A00 - ELECTROVALVE - 69371\_ALL - ROVER A 03-12-2008

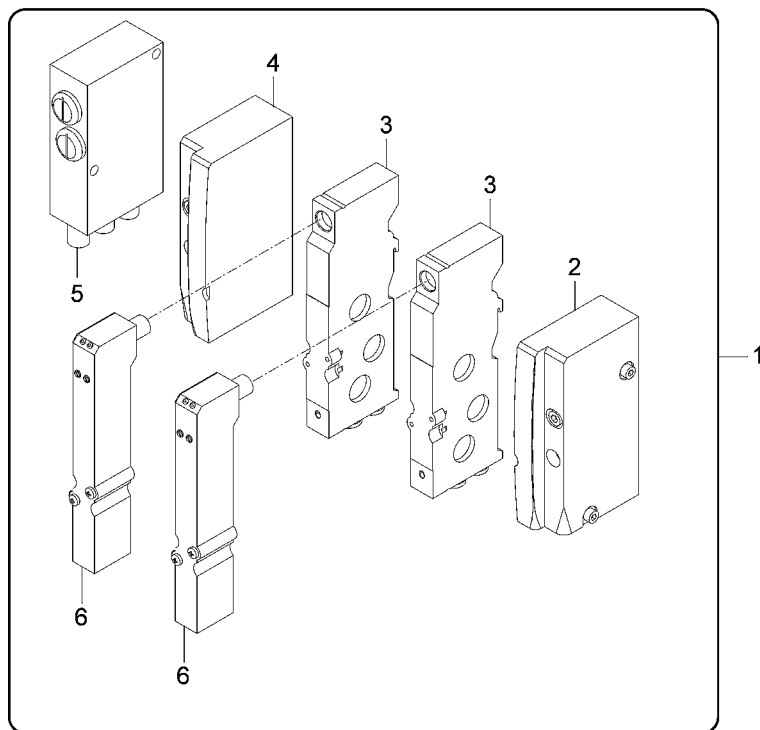
POSITION	DRAWING/COMPONENT	DESCRIPTION
1	6362A0580	ELECTROVALVE
2	2306A0046	PLATE
3	2306A0048	BLOCK
4	2307A0010	END
5	2307A0011	END
6	6483A0013	CONTROL MODULE UNIT
7	N0336A01	ELECTROVALVE



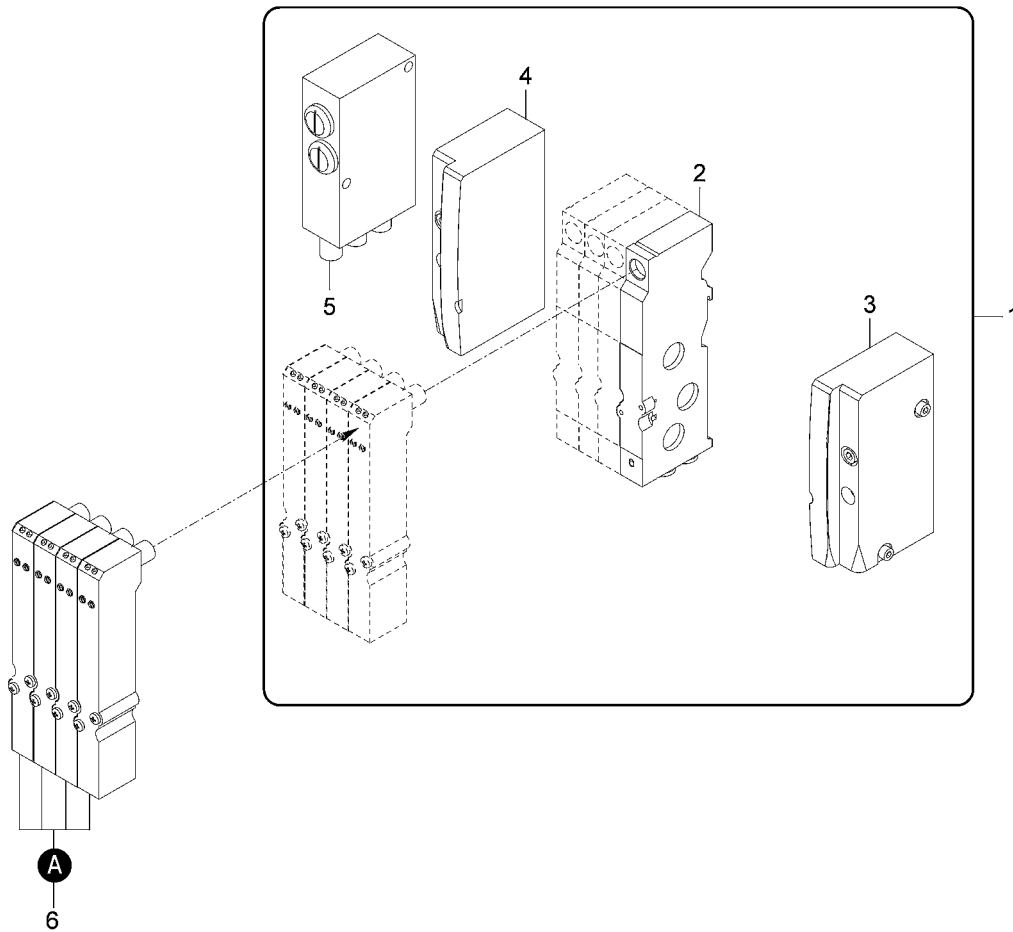
- 1 6362A0579
- 2 2306A0046
- 3 2307A0010
- 4 2307A0011
- 5 6425A0130 - 0 820 055 5..
- 6 6425A0133 - 0 820 055 3..
- 7 6425A0132 - 0 820 055 1..
- 8 6425A0131 - 0 820 055 6..
- 9 2138A0678
- 10 6425A0135 - 0 820 055 0..
- 11 6483A0013
- 12 N0336A01

N0404A00 - ELECTROVALVE - BH18 - 69371\_ALL - ROVER A 03-12-2008

POSITION	DRAWING/COMPONENT	DESCRIPTION
1	6362A0579	ELECTROVALVE
2	2306A0046	PLATE
3	2307A0010	END
4	2307A0011	END
5	6425A0130	ELECTROVALVE 0 820 055 501
6	6425A0133	ELECTROVALVE 0 820 055 301
7	6425A0132	ELECTROVALVE 0 820 055 101
8	6425A0131	ELECTROVALVE 0 820 055 601
9	2138A0678	PLATE
10	6425A0135	ELECTROVALVE 0 820 055 051
11	6483A0013	CONTROL MODULE UNIT
12	N0336A01	ELECTROVALVE



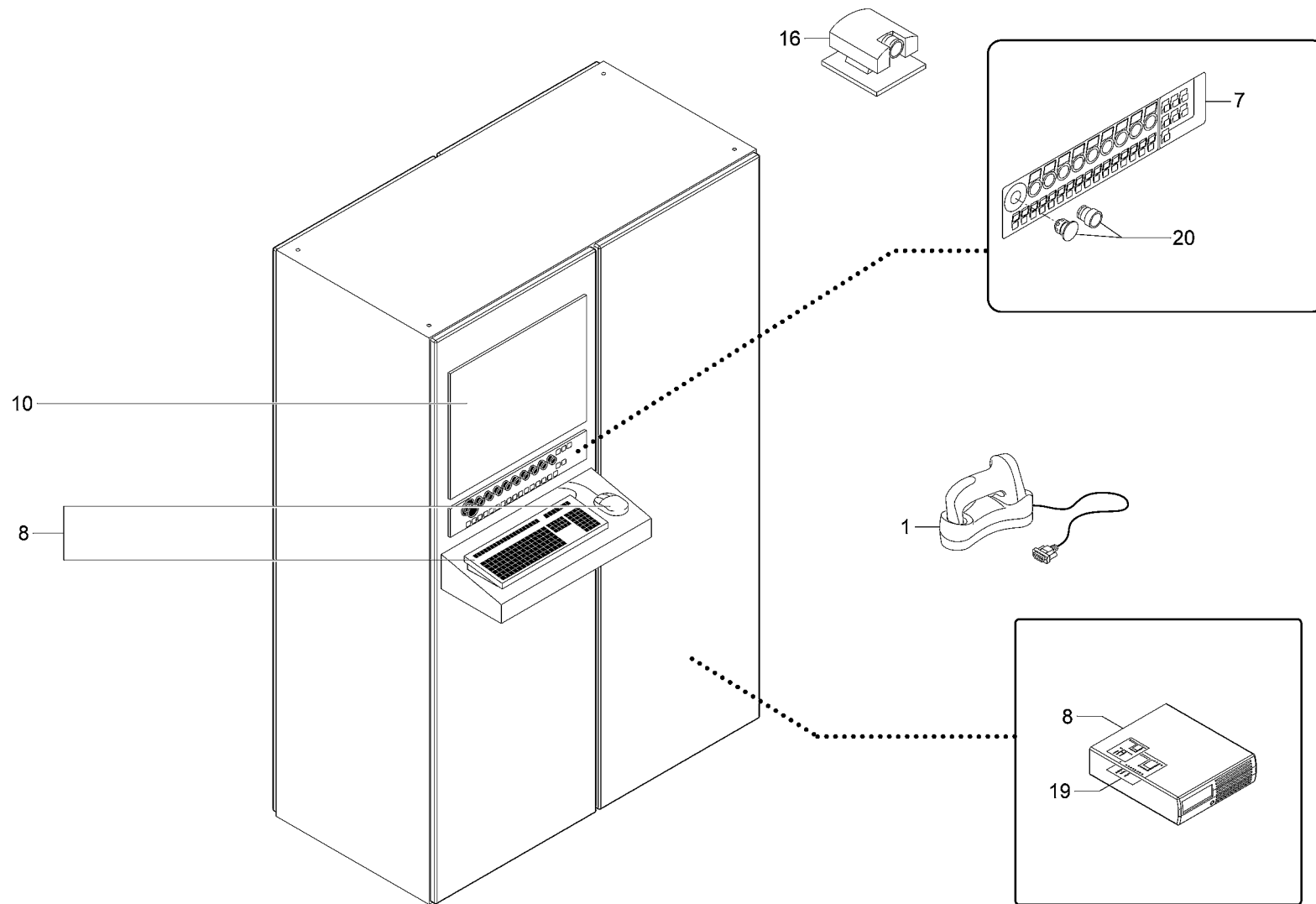
- 1 6362A0583
- 2 2306A0046
- 3 2307A0010
- 4 2307A0011
- 5 6483A0013
- 6 N0336A01





N0406A00 - ELECTROVALVE - 69371\_ALL - ROVER A 03-12-2008

POSITION	DRAWING/COMPONENT	DESCRIPTION
1	6362A0583	ELECTROVALVE
2	2306A0046	PLATE
3	2307A0010	END
4	2307A0011	END
5	6483A0013	CONTROL MODULE UNIT
6	N0336A01	ELECTROVALVE

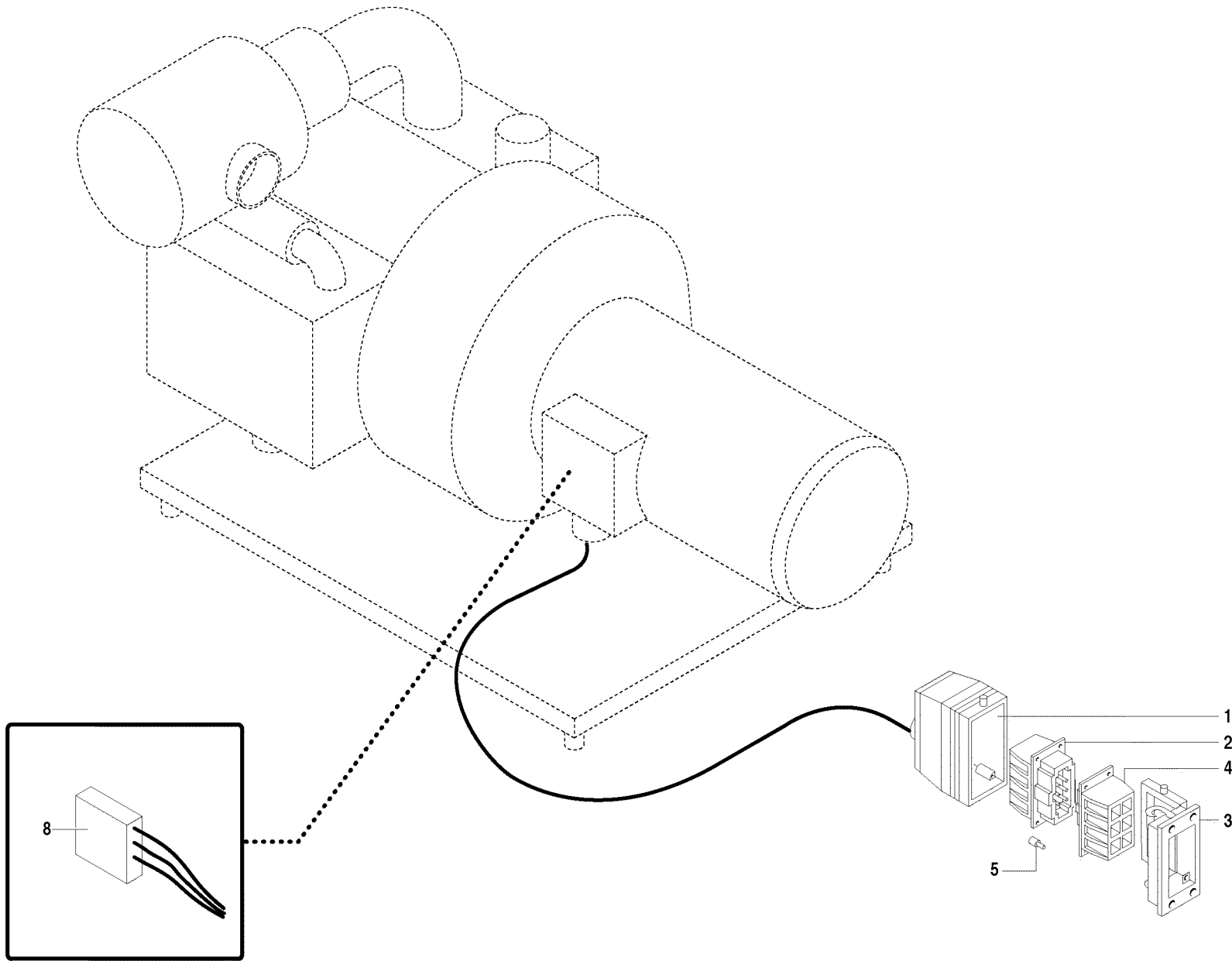


- 1 P0049A00
- 7 2151A0068
- 8 P0029A03
- 10 P0062A01
- 16 P0066A00
- 19 P0051A00
- 20 P0069A01

P0021A07 - CONTROL MODULE UNIT - 69371\_ALL - ROVER A 03-12-2008

POSITION	DRAWING/COMPONENT	DESCRIPTION
1	P0049A00	BARCODE READER
7	2151A0068	KEYBOARD
8	P0029A03	CONTROL MODULE UNIT
10	P0062A01	MONITOR
16	P0066A00	WEB CAM
19	P0051A00	ELECTRONIC CARD
20	P0069A01	BUTTONS - SELECTORS

- 1 2138A0343
- 2 2138A0022
- 4 2138A0345
- 5 3039A0002
- 8 2163A0046



**BIESSE**

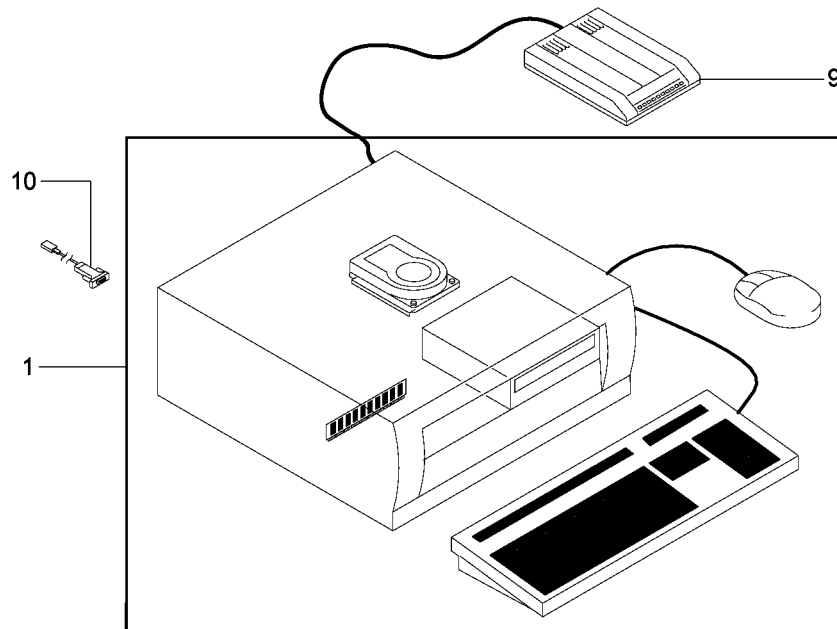
CONNECTOR - 69371\_ALL - ROVER A 03-12-2008

**P0028 A**  
01

P0028A01 - CONNECTOR - 69371\_ALL - ROVER A 03-12-2008

POSITION	DRAWING/COMPONENT	DESCRIPTION
1	2138A0343	INSULATING SHEATH
2	2138A0022	CONTACT ELEMENT
4	2138A0345	CONTACT ELEMENT
5	3039A0002	PIN
8	2163A0046	FILTRO

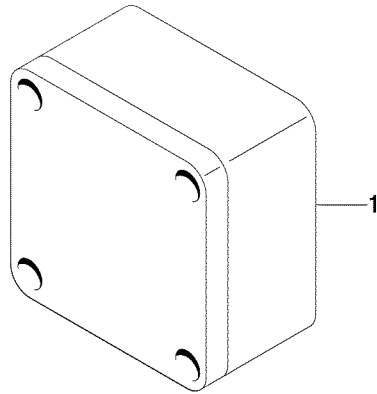
- 1 6385A0230
- 9 2175A0017
- 10 6480A0154



P0029A03 - CONTROL MODULE UNIT - 69371\_ALL - ROVER A 03-12-2008

POSITION	DRAWING/COMPONENT	DESCRIPTION
1	6385A0230	PC
9	2175A0017	MODEM KIT
10	6480A0154	ADAPTER

1 2165A0088 - 80X80X45

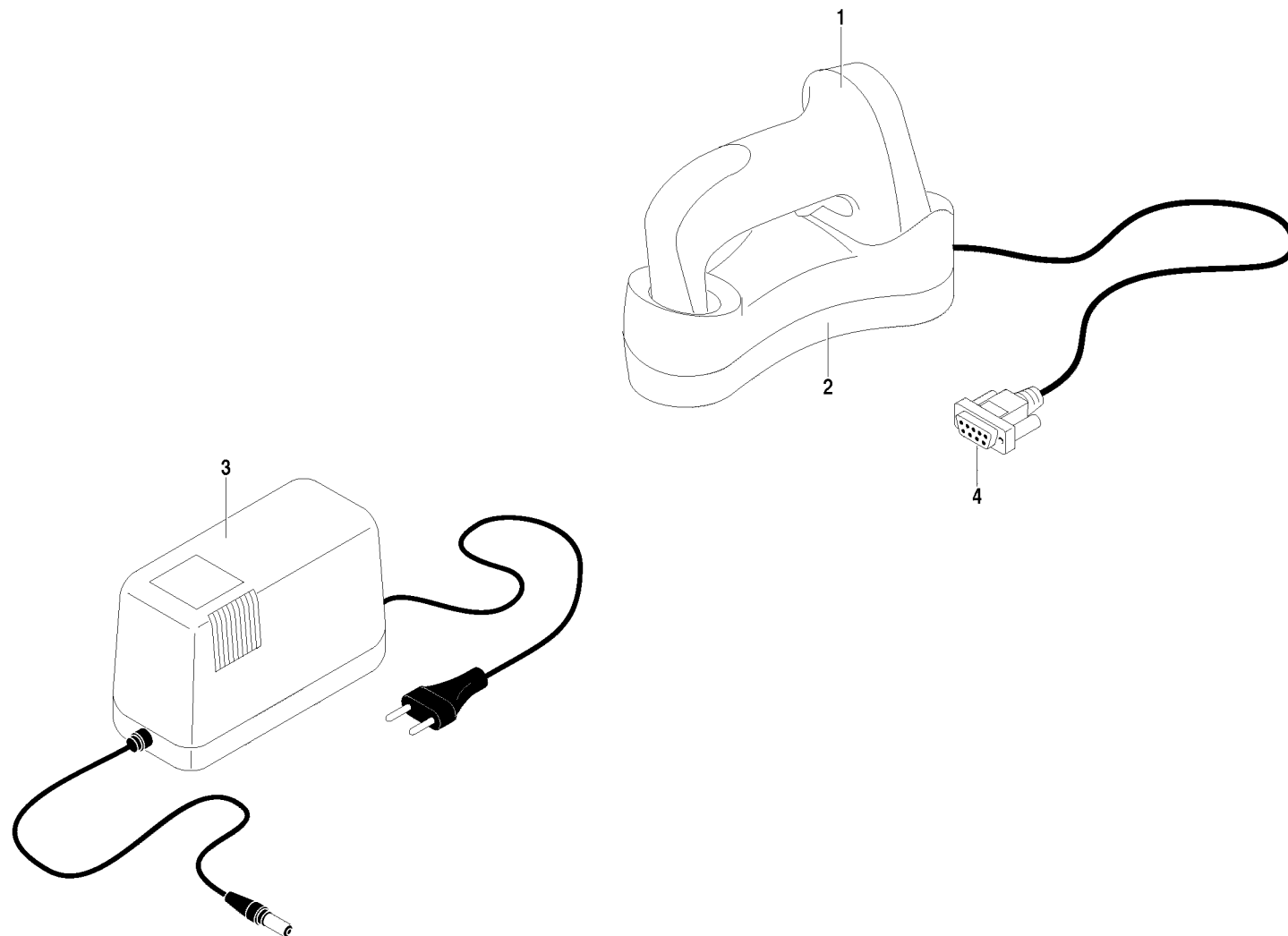




P0038A00 - CONTROL MODULE UNIT - 69371\_ALL - ROVER A 03-12-2008

POSITION	DRAWING/COMPONENT	DESCRIPTION
1	2165A0088	CONNECTOR BLOCK 80X80X45

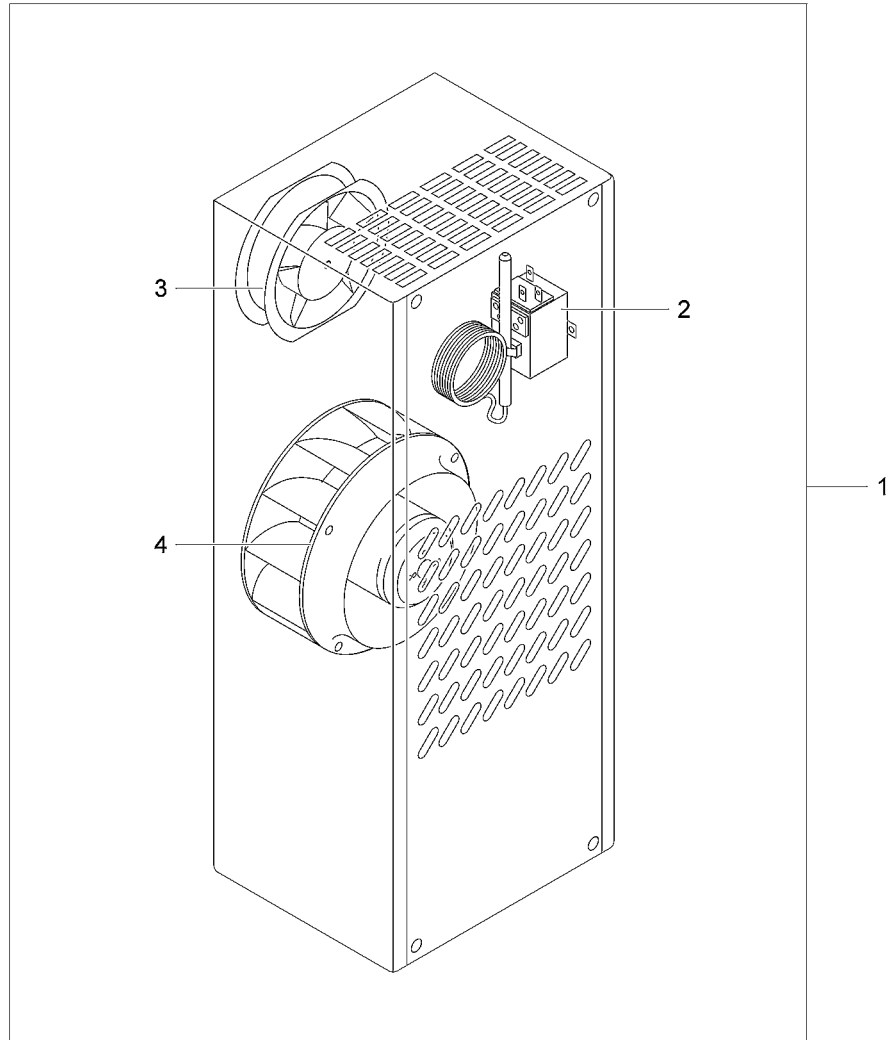
- 1 2140A0051
- 2 2140A0024
- 3 2140A0026
- 4 6480A0159



P0049A00 - BARCODE READER - 69371\_ALL - ROVER A 03-12-2008

POSITION	DRAWING/COMPONENT	DESCRIPTION
1	2140A0051	BARCODE READER
2	2140A0024	BASE
3	2140A0026	FEEDER
4	6480A0159	CABLE

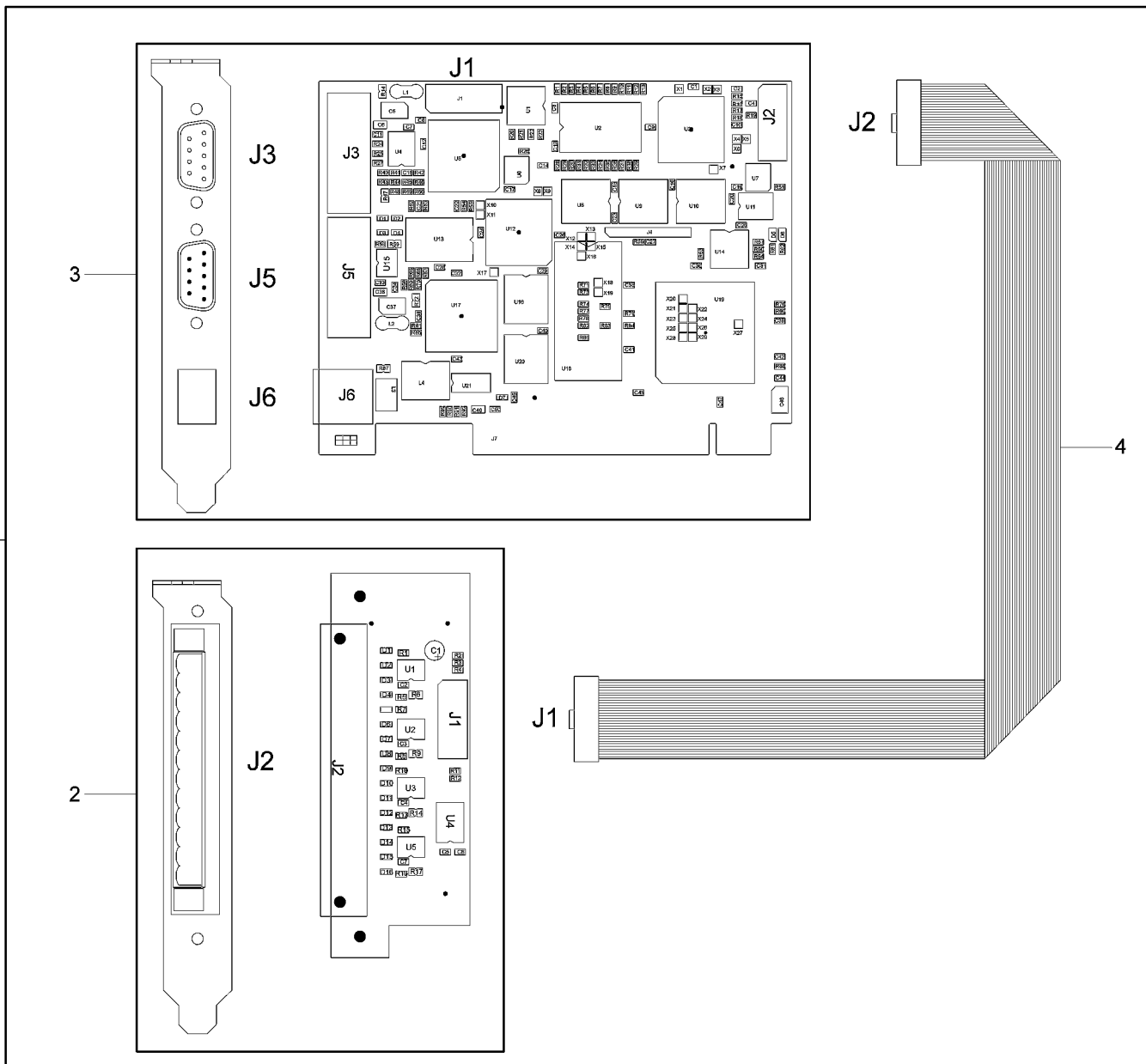
- 1 2161A0101
- 2 2101A0415
- 3 2161A0169
- 4 2161A0170



P0050A01 - AIR CONDITIONER - 69371\_ALL - ROVER A 03-12-2008

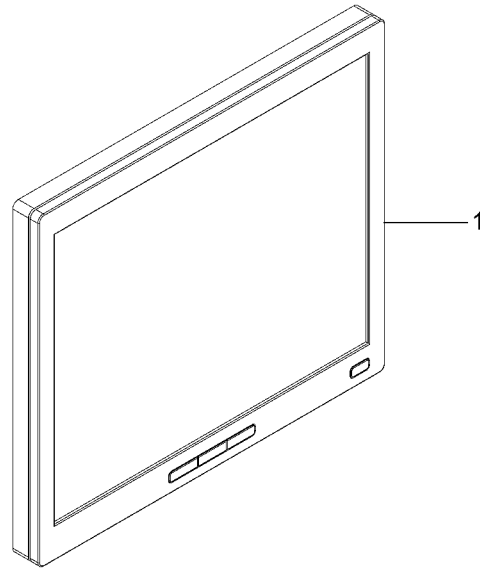
POSITION	DRAWING/COMPONENT	DESCRIPTION
1	2161A0101	AIR CONDITIONER
2	2101A0415	THERMOSTAT
3	2161A0169	FAN
4	2161A0170	FAN

- 1 0110D600A3
- 2 0110D601A0
- 3 0110D602A2
- 4 6480A0202 - 10P L=200



P0051A00 - ELECTRONIC CARD - 69371\_ALL - ROVER A 03-12-2008

POSITION	DRAWING/COMPONENT	DESCRIPTION
1	0110D600A3	COMMAND UNIT
2	0110D601A0	CARD
3	0110D602A2	MOTHERBOARD
4	6480A0202	CABLE 10P L=200

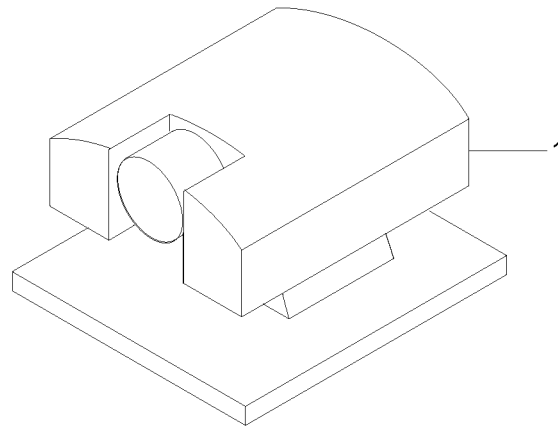




P0062A01 - MONITOR - 69371\_ALL - ROVER A 03-12-2008

POSITION	DRAWING/COMPONENT	DESCRIPTION
1	2151A0049	MONITOR LCD 17

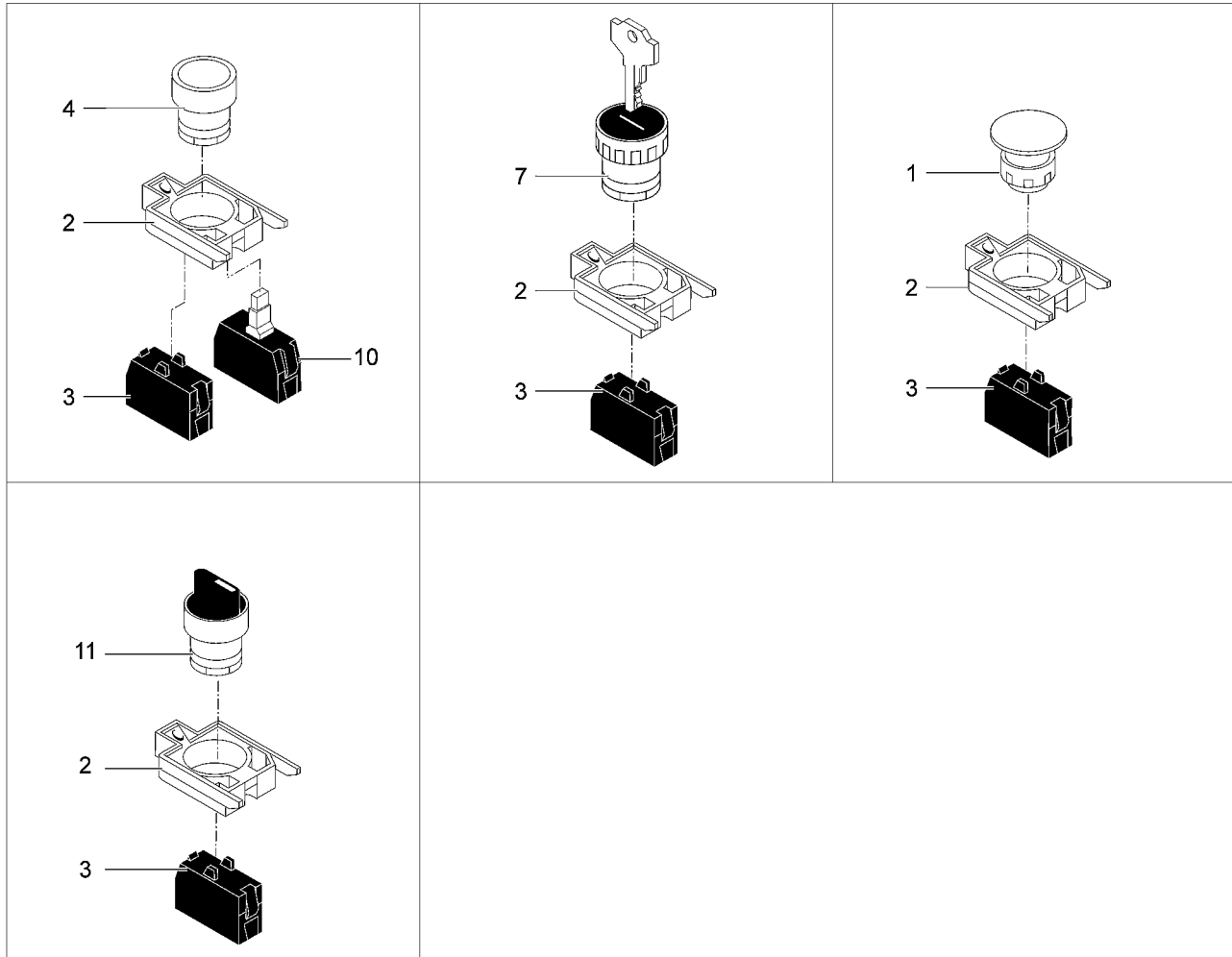
1 2174A0002



P0066A00 - WEB CAM - 69371\_ALL - ROVER A 03-12-2008

POSITION	DRAWING/COMPONENT	DESCRIPTION
1	2174A0002	WEB CAM

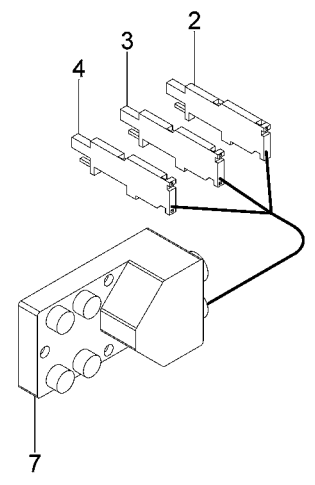
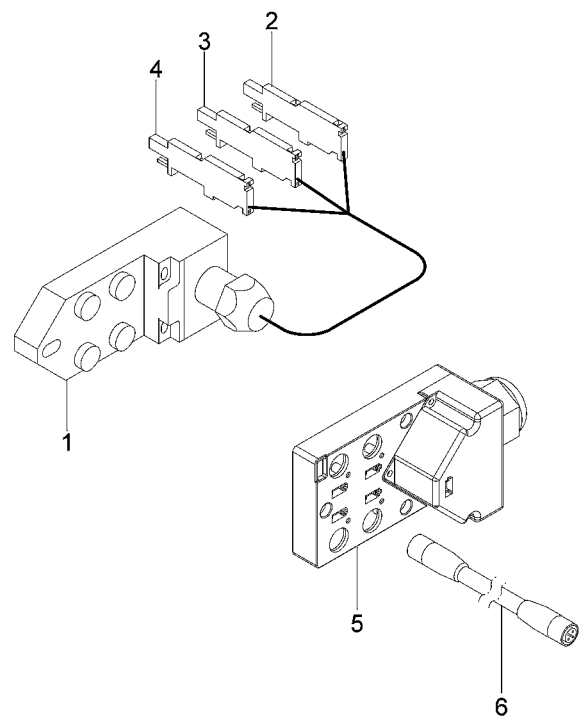
- 2 2123A0083 - ZB4-BZ009
- 3 2123A0066 - ZBE102
- 3 2123A0065 - ZBE101
- 7 2106A0102



P0069A01 - BUTTONS - SELECTORS - 69371\_ALL - ROVER A 03-12-2008

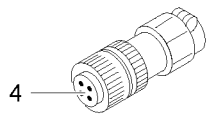
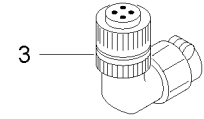
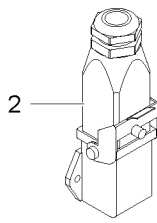
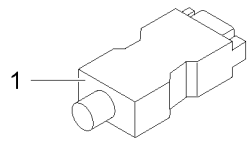
POSITION	DRAWING/COMPONENT	DESCRIPTION
2	2123A0083	BASE ZB4-BZ009
3	2123A0066	CONTACT ZBE102
3	2123A0065	CONTACT ZBE101
7	2106A0102	SELECTOR

- 2 2138A0358
- 3 2138A0359 - 1 POLE 769-..
- 4 2138A0360 - 1 POLE 769-..
- 5 0109D0105A0
- 7 0109D0105A0



P0070A02 - WIRING BOX - 69371\_ALL - ROVER A 03-12-2008

POSITION	DRAWING/COMPONENT	DESCRIPTION
2	2138A0358	CONNECTOR
3	2138A0359	SOCKET CONNECTOR 1 POLE 769-502
4	2138A0360	CONNECTOR 1 POLE 769-503
5	0109D0105A0	COMMAND UNIT
7	0109D0105A0	COMMAND UNIT

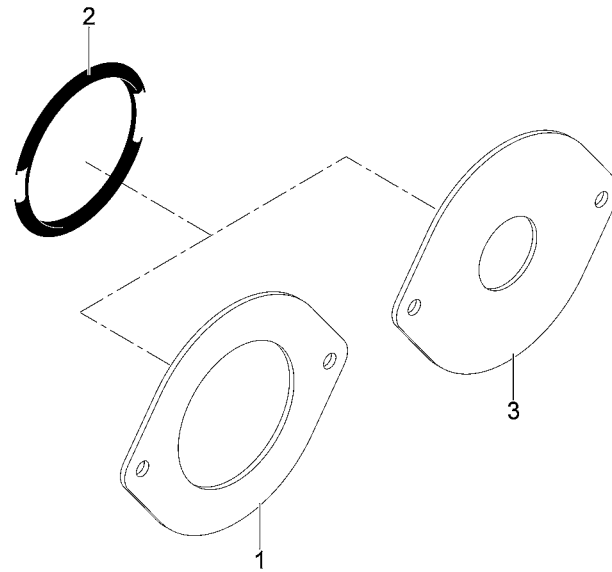




P0071A00 - CONNECTOR - 69371\_ALL - ROVER A 03-12-2008

POSITION	DRAWING/COMPONENT	DESCRIPTION
4	2138A0467	SOCKET F=M12 POLE 5

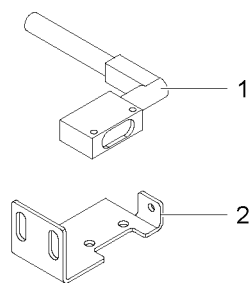
1 1201A0025V - D=65  
2 1419A0053



P0078A01 - FLANGE - 69371\_ALL - ROVER A 03-12-2008

POSITION	DRAWING/COMPONENT	DESCRIPTION
1	1201A0025V	FLANGE D=65
2	1419A0053	GASKET

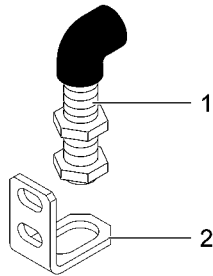
1 2164A0461  
2 1214A1364



P0083A00 - PHOTOCCELL - 69371\_ALL - ROVER A 03-12-2008

POSITION	DRAWING/COMPONENT	DESCRIPTION
1	2164A0461	PHOTOCCELL
2	1214A1364	PLATE

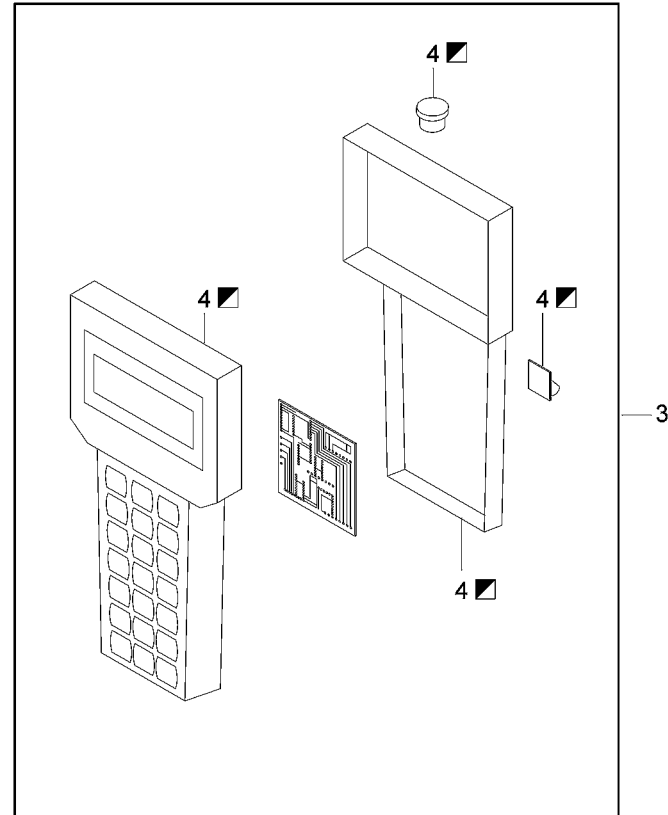
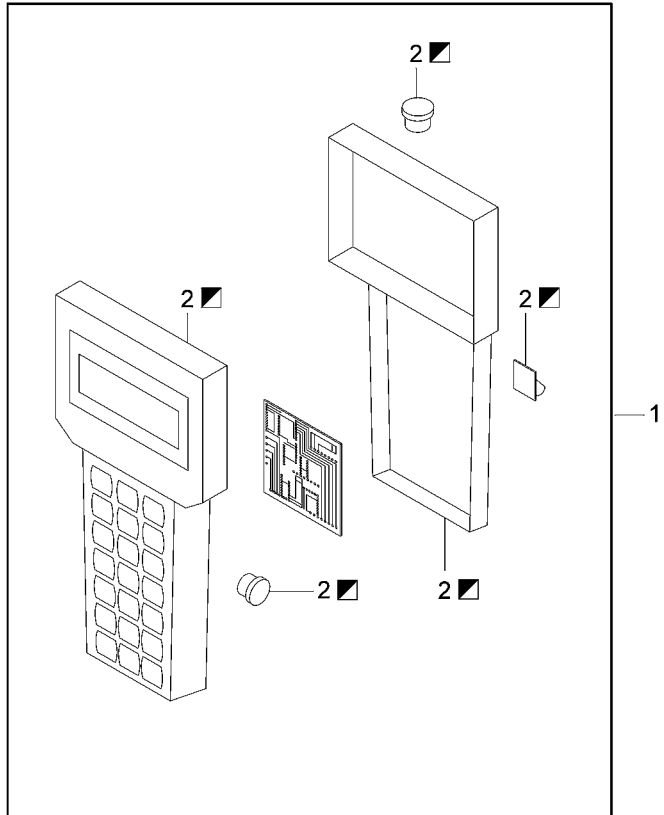
1 2164A0359  
2 1214A0893



P0085A00 - SENSOR - 69371\_ALL - ROVER A 03-12-2008

POSITION	DRAWING/COMPONENT	DESCRIPTION
1	2164A0359	SENSOR
2	1214A0893	BRACKET

3 0102D850B9  
4 0901D0005





P0090A00 - HAND-HELD TERMINAL - 69371\_ALL - ROVER A 03-12-2008

POSITION	DRAWING/COMPONENT	DESCRIPTION
3	0102D850B9	HAND-HELD TERMINAL
4	0901D0005	BOX UNIT