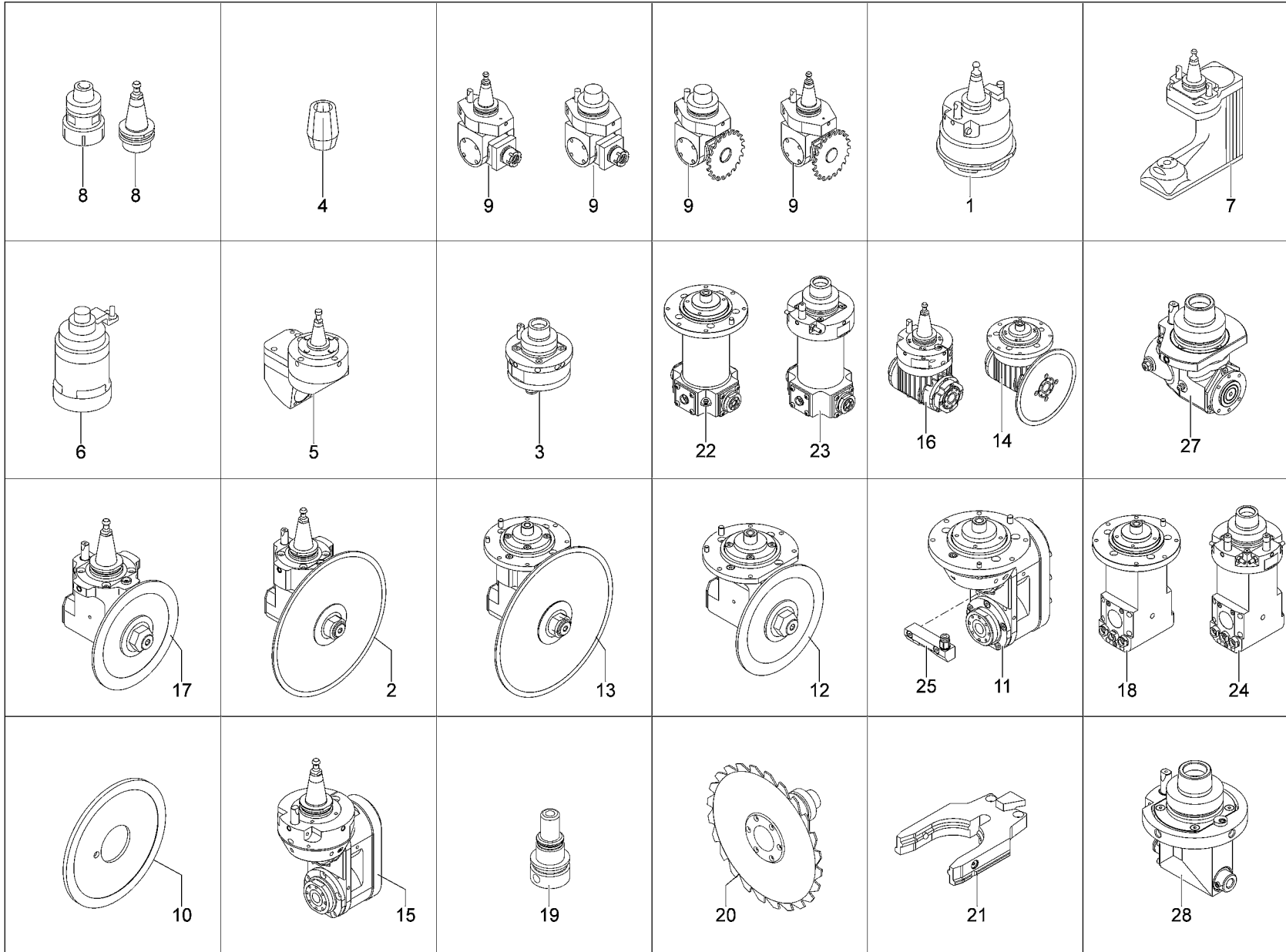


- 1 H0235A04
- 2 H0409A00
- 2 H0410A00
- 3 03319A00
- 4 03317A00
- 5 03316A01
- 6 03321A00
- 7 03318A00

02058A00 - GENERAL FIGURE INDEX - 23449\_ALL - ROVER S 15-02-2008

| POSITION | DRAWING/COMPONENT | DESCRIPTION                |
|----------|-------------------|----------------------------|
| 1        | H0235A04          | BUTTON PAD                 |
| 2        | H0409A00          | CONTACT MAT                |
| 2        | H0410A00          | CONTACT MAT                |
| 3        | 03319A00          | OPERATING SECTION ASSEMBLY |
| 4        | 03317A00          | WORK TABLES ASSEMBLY       |
| 5        | 03316A01          | BASE ASSEMBLY              |
| 6        | 03321A00          | GUARDS ASSEMBLY            |
| 7        | 03318A00          | X AXIS CARRIAGE ASSEMBLY   |



- 1 C0588A02 - HSK F63
- 1 C0587A02 - ISO 30
- 2 C0819A00 - D=180-270 ..
- 2 C0817A00 - D=180-270 ..
- 3 C0630A00 - HSK F63
- 3 C0262A07 - ISO 30
- 4 C0270A01
- 5 C0528A00 - ISO 30
- 5 C0529A00 - HSK F63
- 6 C0569A01
- 7 C0585A01 - ISO 30
- 7 C0586A01 - HSK F63
- 8 C0597A02
- 9 C0631A02
- 10 C0681A01
- 11 C0714A01
- 12 C0821A00 - D=180
- 13 C0820A00 - D=270
- 14 C0717A00 - D=180
- 15 C0722A01 - HSK F63
- 15 C0837A00 - HSK F63
- 15 C0718A00 - ISO 30
- 15 C0838A00 - ISO 30
- 16 C0719A02 - ISO 30
- 16 C0724A00 - HSK F63
- 17 C0599A00 - HSK F63
- 17 C0816A00 - D=120-215 ..
- 17 C0601A00 - ISO 30
- 17 C0818A00 - D=120-215 ..
- 17 C0259A04 - D=120
- 18 C0725A00
- 19 C0754A00
- 20 C0755A00
- 21 B0415A00
- 22 C0771A00
- 23 C0772A00
- 24 C0773A00
- 25 N0314A00
- 27 C0839A00 - HSK F63
- 28 C0260A05 - HSK F63
- 28 C0840A00 - ISO 30

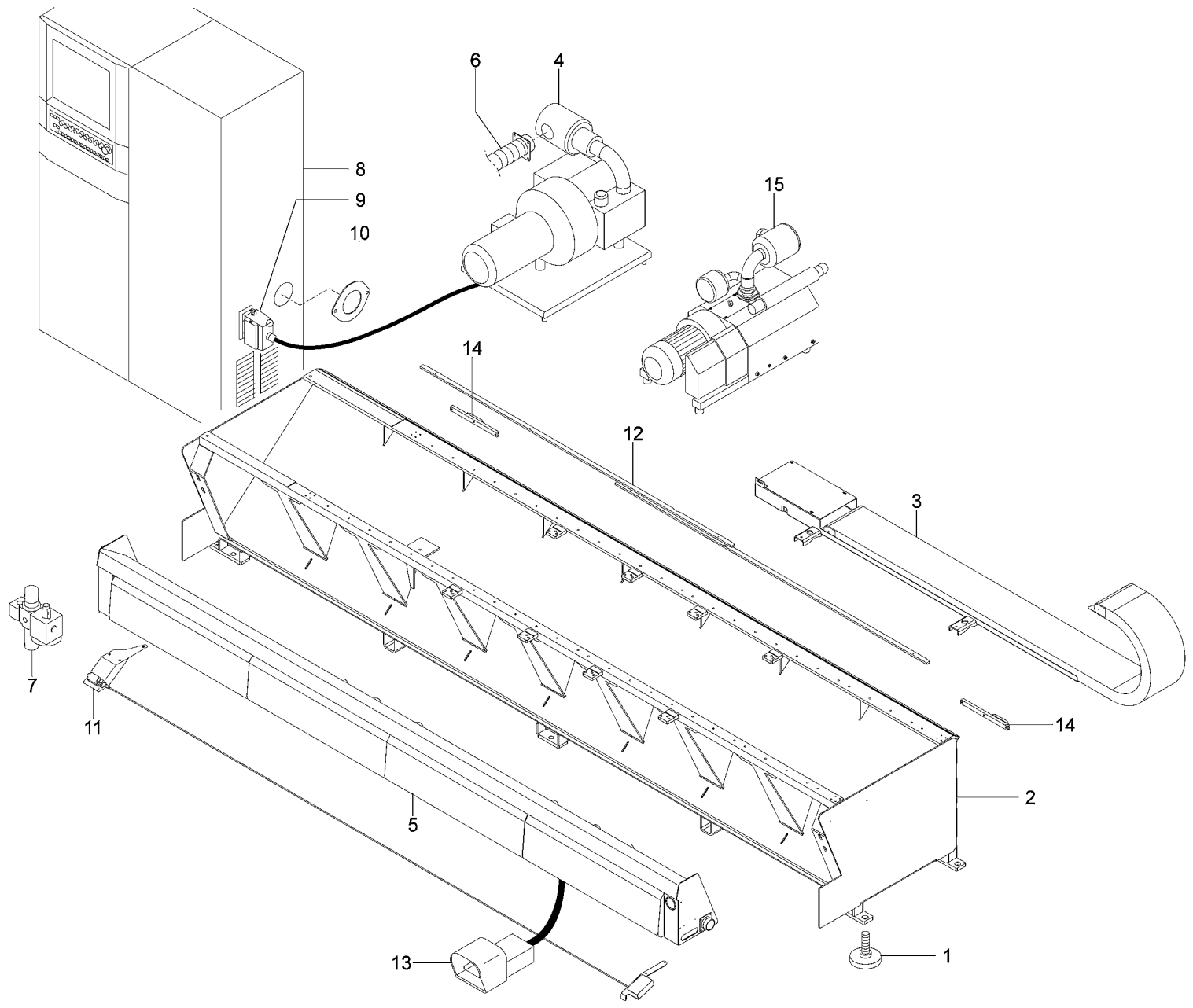
## 03286A03 - OPERATING SECTION DEVICES - 23449\_ALL - ROVER S 15-02-2008

| POSITION | DRAWING/COMPONENT | DESCRIPTION                 |
|----------|-------------------|-----------------------------|
| 1        | C0588A02          | COPIER HSK F63              |
| 1        | C0587A02          | COPIER ISO 30               |
| 2        | C0819A00          | AGGREGATE D=180-270 ISO 30  |
| 2        | C0817A00          | AGGREGATE D=180-270 HSK F63 |
| 3        | C0630A00          | AGGREGATE HSK F63           |
| 3        | C0262A07          | AGGREGATE ISO 30            |
| 4        | C0270A01          | ELASTIC COLLET              |
| 5        | C0528A00          | AGGREGATE ISO 30            |
| 5        | C0529A00          | AGGREGATE HSK F63           |
| 6        | C0569A01          | COPIER                      |
| 7        | C0585A01          | AGGREGATE ISO 30            |
| 7        | C0586A01          | AGGREGATE HSK F63           |
| 8        | C0597A02          | COLLET SPINDLE              |
| 9        | C0631A02          | AGGREGATE                   |
| 10       | C0681A01          | MILLING CUTTER              |
| 11       | C0714A01          | AGGREGATE                   |
| 12       | C0821A00          | AGGREGATE D=180             |
| 13       | C0820A00          | AGGREGATE D=270             |
| 14       | C0717A00          | AGGREGATE D=180             |
| 15       | C0722A01          | AGGREGATE HSK F63           |
| 15       | C0837A00          | AGGREGATE HSK F63           |
| 15       | C0718A00          | AGGREGATE ISO 30            |
| 15       | C0838A00          | AGGREGATE ISO 30            |
| 16       | C0719A02          | AGGREGATE ISO 30            |
| 16       | C0724A00          | AGGREGATE HSK F63           |
| 17       | C0599A00          | AGGREGATE HSK F63           |
| 17       | C0816A00          | AGGREGATE D=120-215 HSK F63 |
| 17       | C0601A00          | AGGREGATE ISO 30            |
| 17       | C0818A00          | AGGREGATE D=120-215 ISO 30  |



## 03286A03 - OPERATING SECTION DEVICES - 23449\_ALL - ROVER S 15-02-2008

| POSITION | DRAWING/COMPONENT | DESCRIPTION       |
|----------|-------------------|-------------------|
| 17       | C0259A04          | AGGREGATE D=120   |
| 18       | C0725A00          | AGGREGATE         |
| 19       | C0754A00          | BUSH              |
| 20       | C0755A00          | AGGREGATE         |
| 21       | B0415A00          | COLLET            |
| 22       | C0771A00          | AGGREGATE         |
| 23       | C0772A00          | AGGREGATE         |
| 24       | C0773A00          | AGGREGATE         |
| 25       | N0314A00          | BLOWER            |
| 27       | C0839A00          | AGGREGATE HSK F63 |
| 28       | C0260A05          | AGGREGATE HSK F63 |
| 28       | C0840A00          | AGGREGATE ISO 30  |



- 1 A0135A00
- 2 A0312A00
- 3 A0313A01
- 4 N0211A00
- 5 A0316A01
- 6 N0322A00
- 7 N0365A00
- 8 P0021A07
- 9 P0028A01
- 10 P0078A01
- 11 H0365A00
- 12 H0373A00
- 13 M0105A00
- 14 B0506A00
- 15 N0389A00 - 300 M3/H

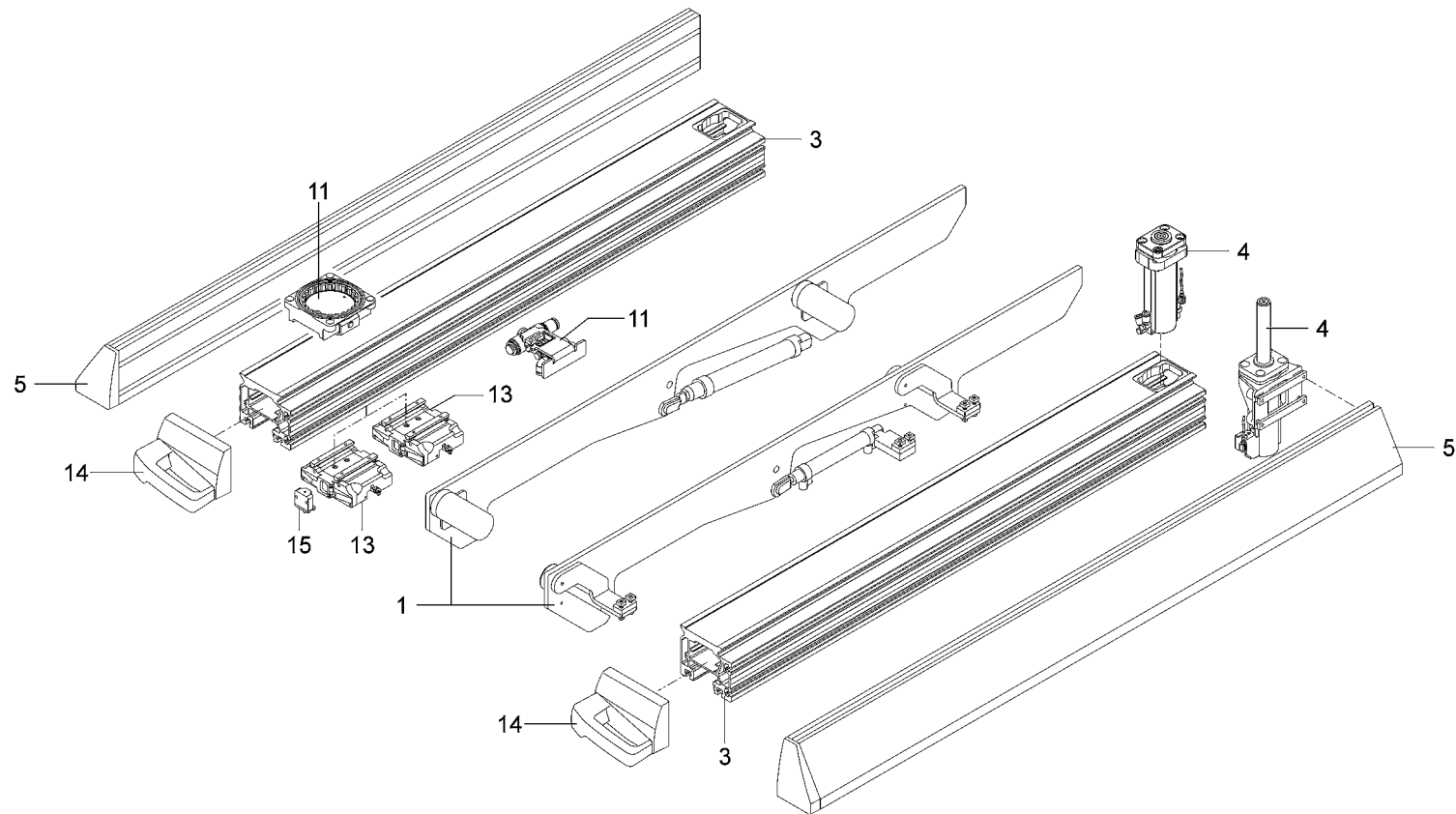


BASE ASSEMBLY - 23449\_ALL - ROVER S 15-02-2008

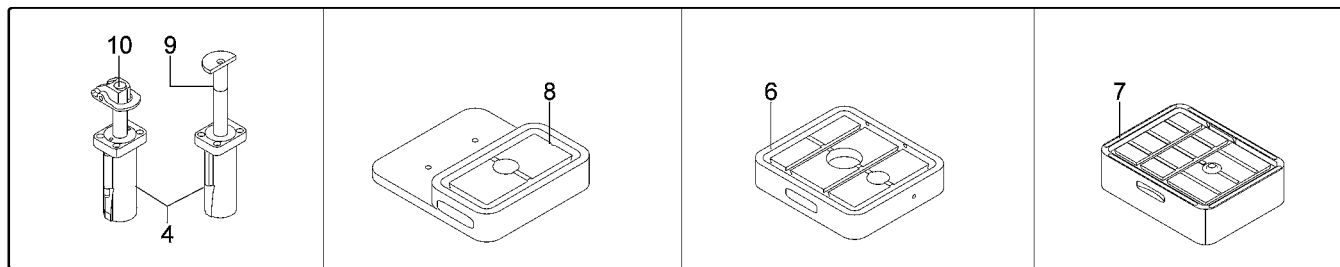
03316 A  
01

03316A01 - BASE ASSEMBLY - 23449\_ALL - ROVER S 15-02-2008

| POSITION | DRAWING/COMPONENT | DESCRIPTION          |
|----------|-------------------|----------------------|
| 1        | A0135A00          | FOOT                 |
| 2        | A0312A00          | BASE                 |
| 3        | A0313A01          | BASE                 |
| 4        | N0211A00          | VACUUM PUMP          |
| 5        | A0316A01          | BASE                 |
| 6        | N0322A00          | PNEUMATIC SYSTEM     |
| 7        | N0365A00          | MAIN FILTER          |
| 8        | P0021A07          | CONTROL MODULE UNIT  |
| 9        | P0028A01          | CONNECTOR            |
| 10       | P0078A01          | FLANGE               |
| 11       | H0365A00          | EMERGENCY DEVICE     |
| 12       | H0373A00          | LIMIT SWITCH         |
| 13       | M0105A00          | CONTROL PEDAL        |
| 14       | B0506A00          | LIMIT SWITCH         |
| 15       | N0389A00          | VACUUM PUMP 300 M3/H |

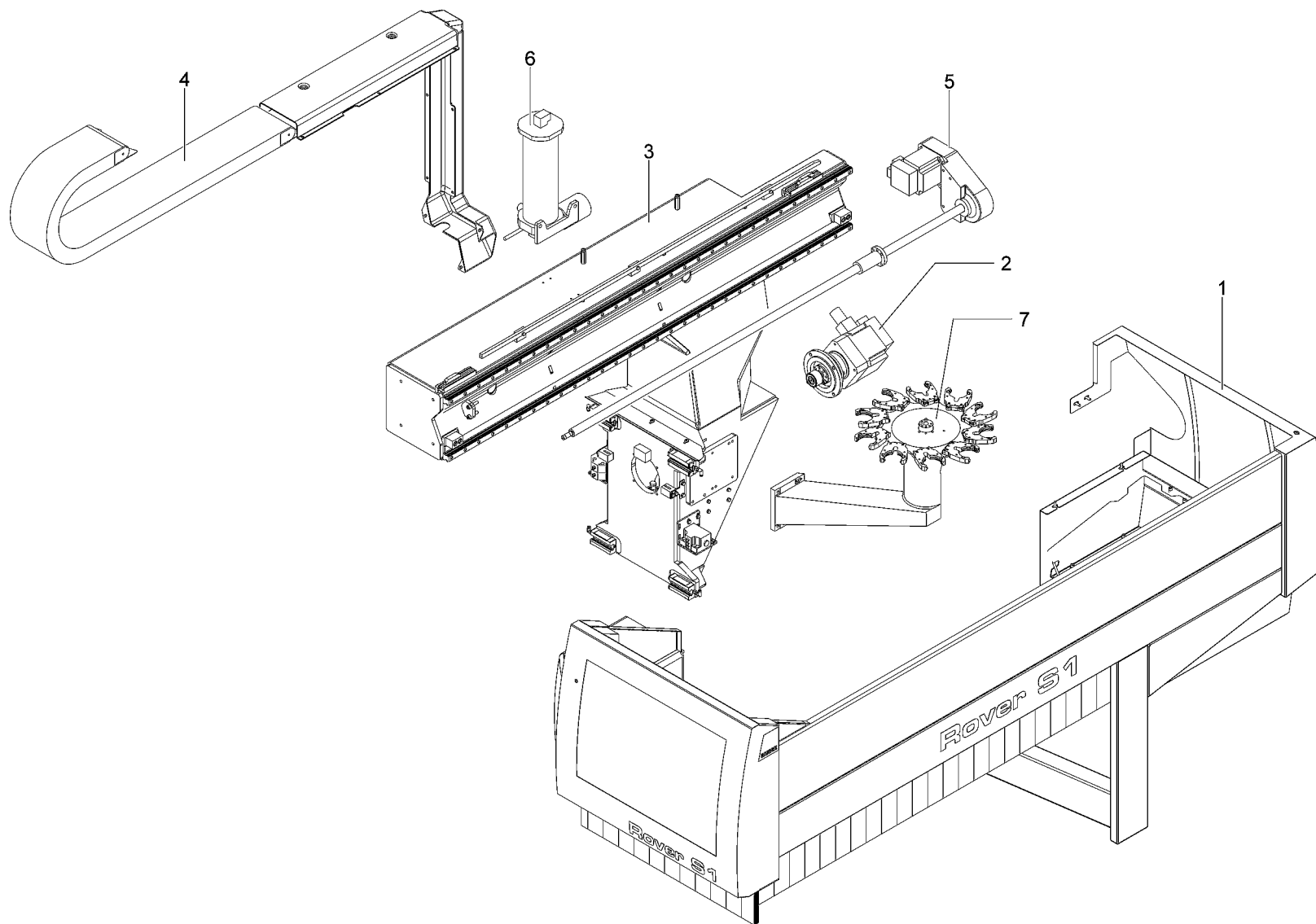


- 1 D0176A01
- 3 E0377A01
- 4 E0378A00
- 5 E0379A00
- 6 E0198A02
- 7 E0199A02
- 8 E0200A02
- 9 E0202A02
- 10 E0258A01
- 11 E0262A02 - CTS
- 13 E0331A03
- 14 E0339A01
- 15 E0387A00



## 03317A00 - WORK TABLES ASSEMBLY - 23449\_ALL - ROVER S 15-02-2008

| POSITION | DRAWING/COMPONENT | DESCRIPTION              |
|----------|-------------------|--------------------------|
| 1        | D0176A01          | LOADING-UNLOADING DEVICE |
| 3        | E0377A01          | WORK TABLE               |
| 4        | E0378A00          | STOP                     |
| 5        | E0379A00          | SIDE WORK TABLE          |
| 6        | E0198A02          | SHAPEABLE SUCTION CUP    |
| 7        | E0199A02          | SHAPEABLE SUCTION CUP    |
| 8        | E0200A02          | SHAPEABLE SUCTION CUP    |
| 9        | E0202A02          | STOP                     |
| 10       | E0258A01          | BATTUTA                  |
| 11       | E0262A02          | CARRIAGE CTS             |
| 13       | E0331A03          | WORK TABLE LOCKING       |
| 14       | E0339A01          | HANDLE                   |
| 15       | E0387A00          | LOCKING UNIT             |

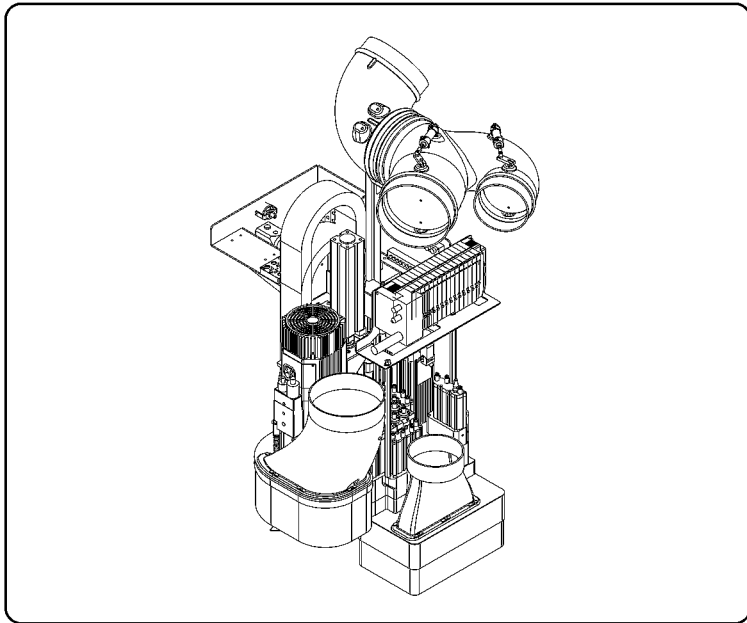


- 1 A0314A01
- 2 M0245A00
- 3 B0505A00
- 4 B0507A00
- 5 B0498A01
- 6 N0139A09
- 7 C0793A01 - 10P

03318A00 - X AXIS CARRIAGE ASSEMBLY - 23449\_ALL - ROVER S 15-02-2008

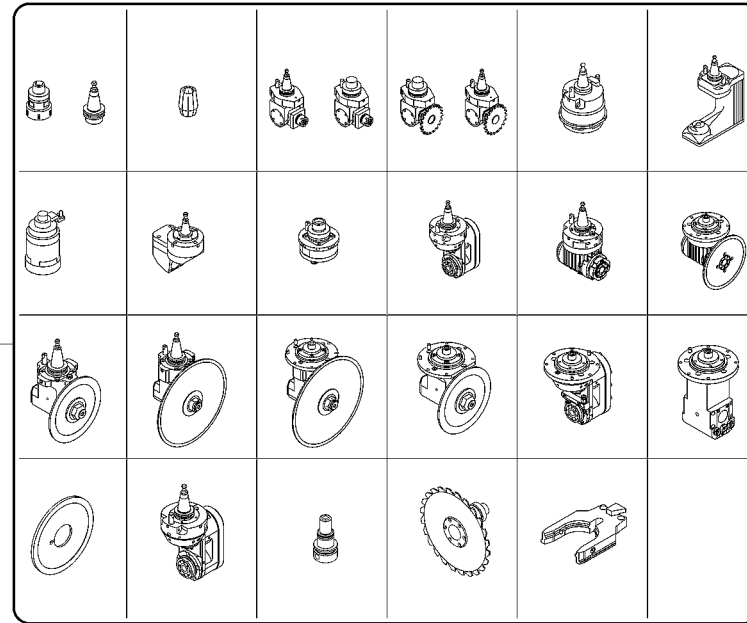
| POSITION | DRAWING/COMPONENT | DESCRIPTION                     |
|----------|-------------------|---------------------------------|
| 1        | A0314A01          | HEAD CASING                     |
| 2        | M0245A00          | X AXIS MOTOR DRIVE              |
| 3        | B0505A00          | X AXIS CARRIAGE                 |
| 4        | B0507A00          | CABLE RACEWAYS                  |
| 5        | B0498A01          | Y AXIS DRIVE UNIT               |
| 6        | N0139A09          | LUBRICATION SYSTEM              |
| 7        | C0793A01          | REVOLVER TYPE TOOL MAGAZINE 10P |

1 03320A00  
 2 03286A03



1

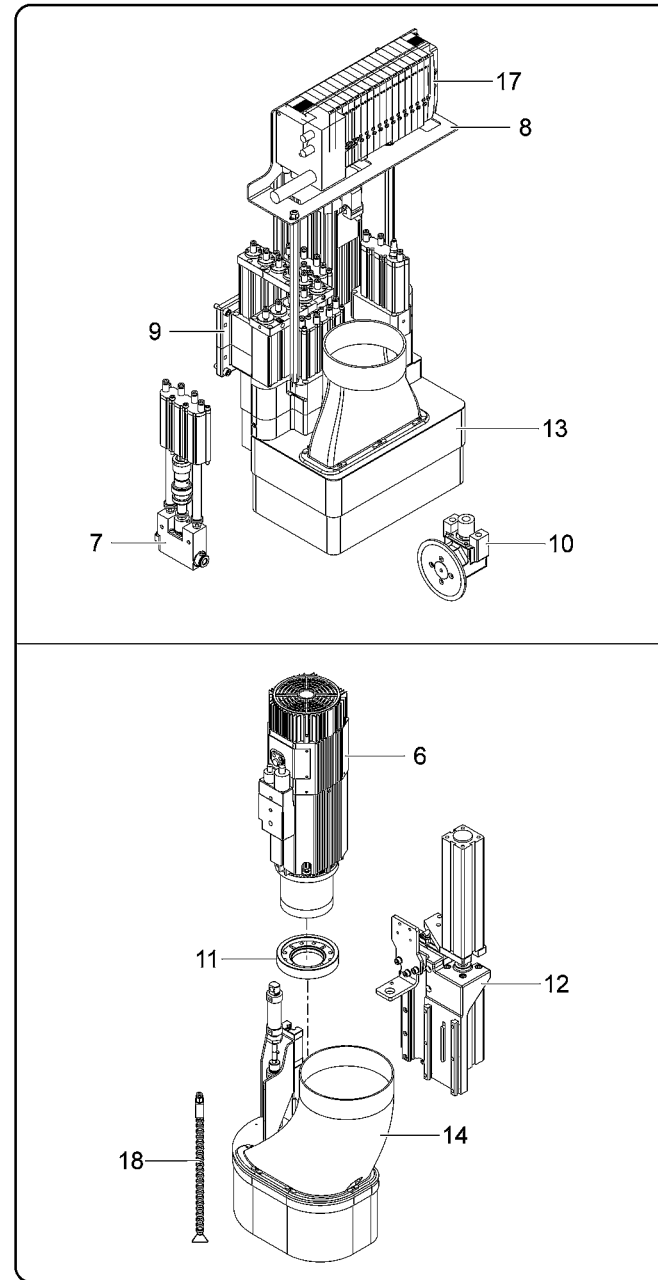
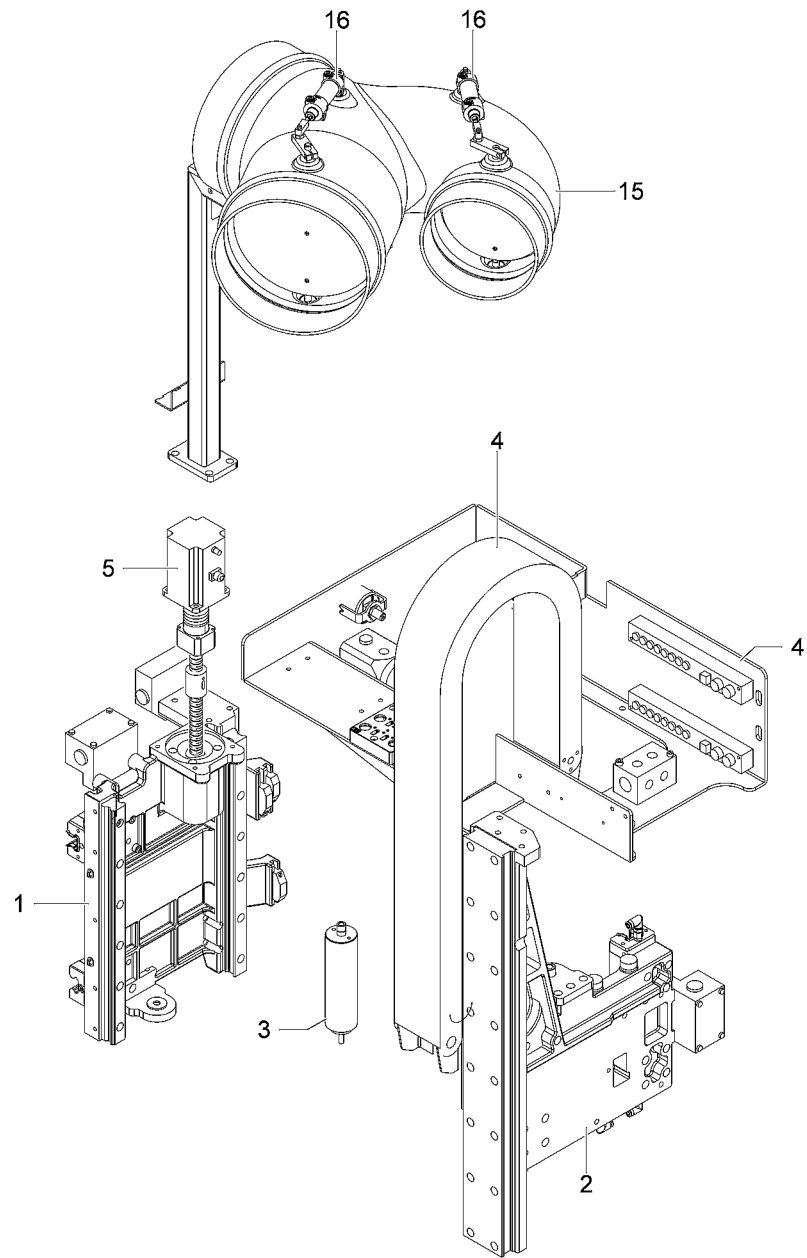
2





03319A00 - OPERATING SECTION ASSEMBLY - 23449\_ALL - ROVER S 15-02-2008

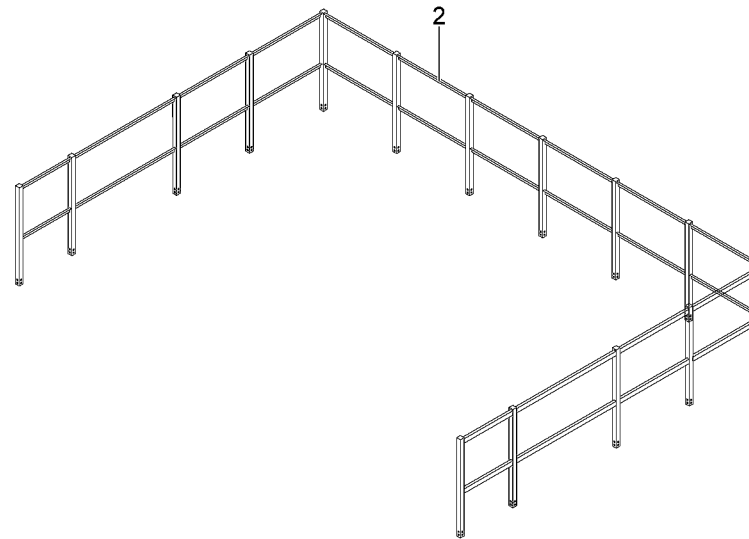
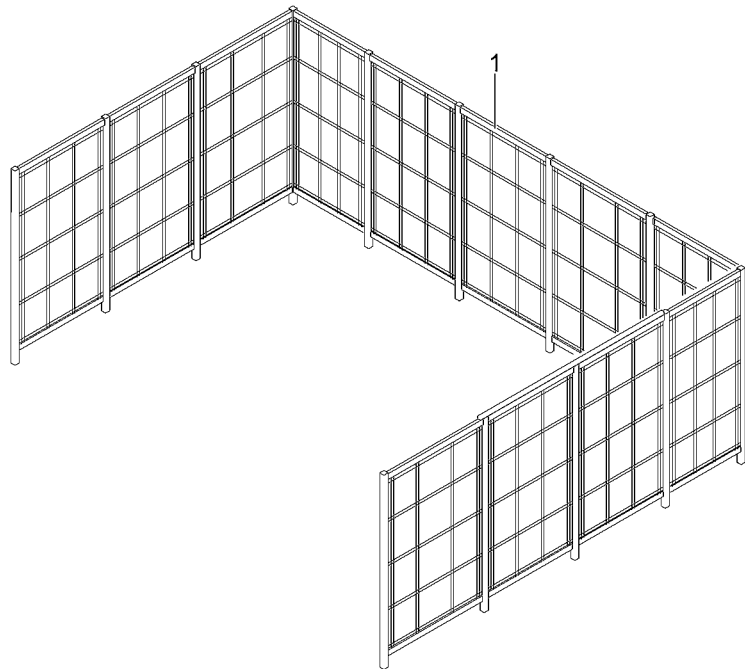
| POSITION | DRAWING/COMPONENT | DESCRIPTION                |
|----------|-------------------|----------------------------|
| 1        | 03320A00          | OPERATING SECTION ASSEMBLY |
| 2        | 03286A03          | OPERATING SECTION DEVICES  |



- 1 B0508A00
- 2 B0510A00
- 3 B0511A00
- 4 B0513A00
- 5 B0499A00
- 6 C0491A04
- 7 C0690A03
- 8 C0832A00
- 9 C0833A00
- 10 C0834A00
- 11 C0835A00
- 12 C0836A01
- 13 G0186A01
- 14 G0187A00
- 15 G0188A00
- 16 G0163A00
- 17 N0379A00
- 18 N0110A01

## 03320A00 - OPERATING SECTION ASSEMBLY - 23449\_ALL - ROVER S 15-02-2008

| POSITION | DRAWING/COMPONENT | DESCRIPTION         |
|----------|-------------------|---------------------|
| 1        | B0508A00          | Y AXIS CARRIAGE     |
| 2        | B0510A00          | CARRIAGE            |
| 3        | B0511A00          | COMPENSATION DEVICE |
| 4        | B0513A00          | CABLE RACEWAYS      |
| 5        | B0499A00          | DRIVE UNIT          |
| 6        | C0491A04          | ELECTROSPINDLE      |
| 7        | C0690A03          | BORING CHUCK        |
| 8        | C0832A00          | SUPPORT             |
| 9        | C0833A00          | BORING UNIT         |
| 10       | C0834A00          | MILLING CUTTER      |
| 11       | C0835A00          | FLANGE              |
| 12       | C0836A01          | SLIDE               |
| 13       | G0186A01          | SUCTION             |
| 14       | G0187A00          | SUCTION             |
| 15       | G0188A00          | SUCTION             |
| 16       | G0163A00          | SUCTION             |
| 17       | N0379A00          | ELECTROVALVE        |
| 18       | N0110A01          | BLOWER              |

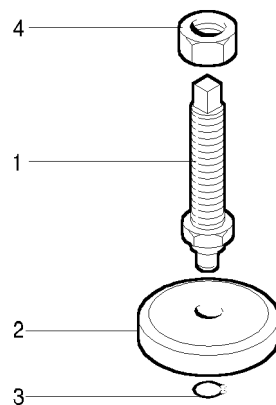


- 1 H0375A00
- 2 H0374A00

03321A00 - GUARDS ASSEMBLY - 23449\_ALL - ROVER S 15-02-2008

| POSITION | DRAWING/COMPONENT | DESCRIPTION     |
|----------|-------------------|-----------------|
| 1        | H0375A00          | PERIMETER GUARD |
| 2        | H0374A00          | PERIMETER GUARD |

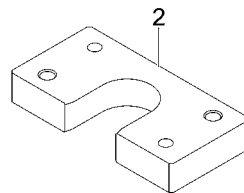
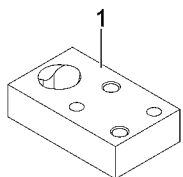
- 1 0814A1281
- 2 0814A0055
- 3 302901100 - 14 UNI 7435
- 4 301620900 - M24X2



A0135A00 - FOOT - 23449\_ALL - ROVER S 15-02-2008

| POSITION | DRAWING/COMPONENT | DESCRIPTION           |
|----------|-------------------|-----------------------|
| 1        | 0814A1281         | BAR                   |
| 2        | 0814A0055         | PLATE                 |
| 3        | 302901100         | SNAP RING 14 UNI 7435 |
| 4        | 301620900         | NUT M24X2             |

1 0814A1430

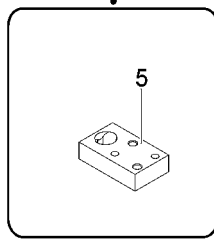
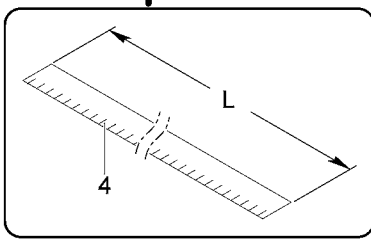
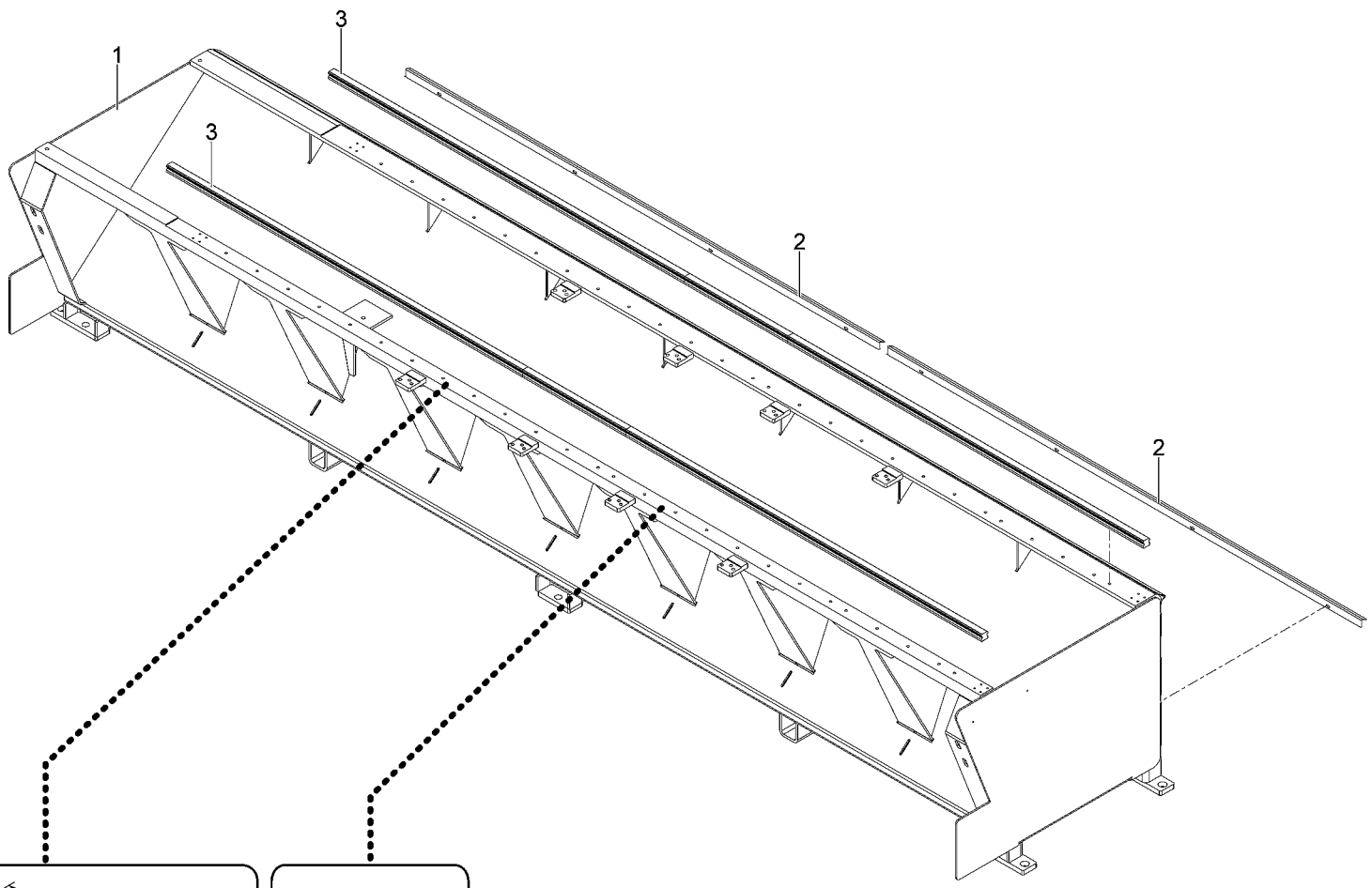




A0292A00 - BLOCK - 23449\_ALL - ROVER S 15-02-2008

| POSITION | DRAWING/COMPONENT | DESCRIPTION |
|----------|-------------------|-------------|
| 1        | 0814A1430         | BLOCK       |

- 1 1303A0284
- 2 1208A2479
- 3 2914A1276
- 4 1426A0017 - L=2400-3200
- 4 1426A0014 - L=1600-2400
- 4 1426A0030 - L=0-1600
- 5 A0292A00



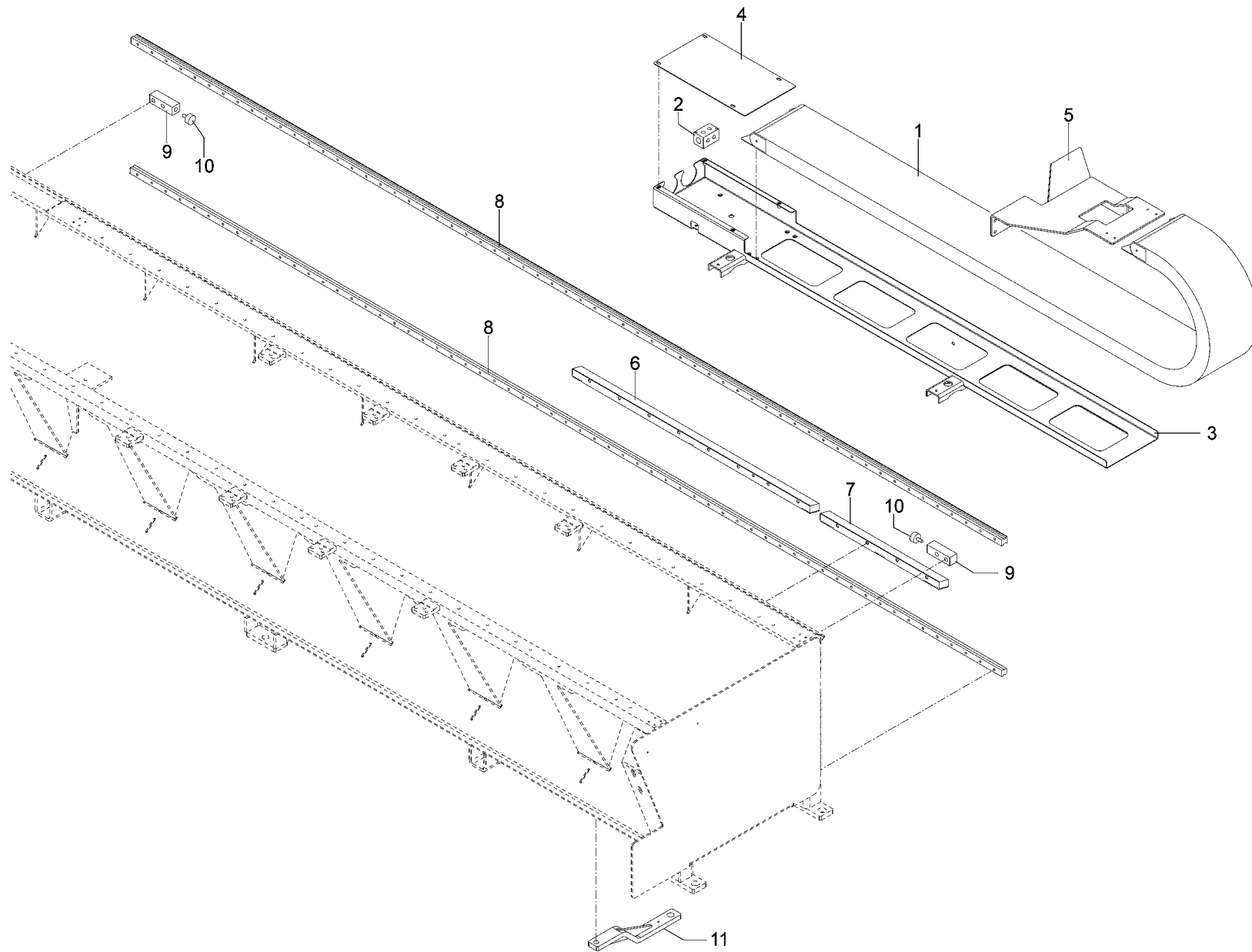
**BIESSE**

BASE - 23449\_ALL - ROVER S 15-02-2008

**A0312 A**  
00

A0312A00 - BASE - 23449\_ALL - ROVER S 15-02-2008

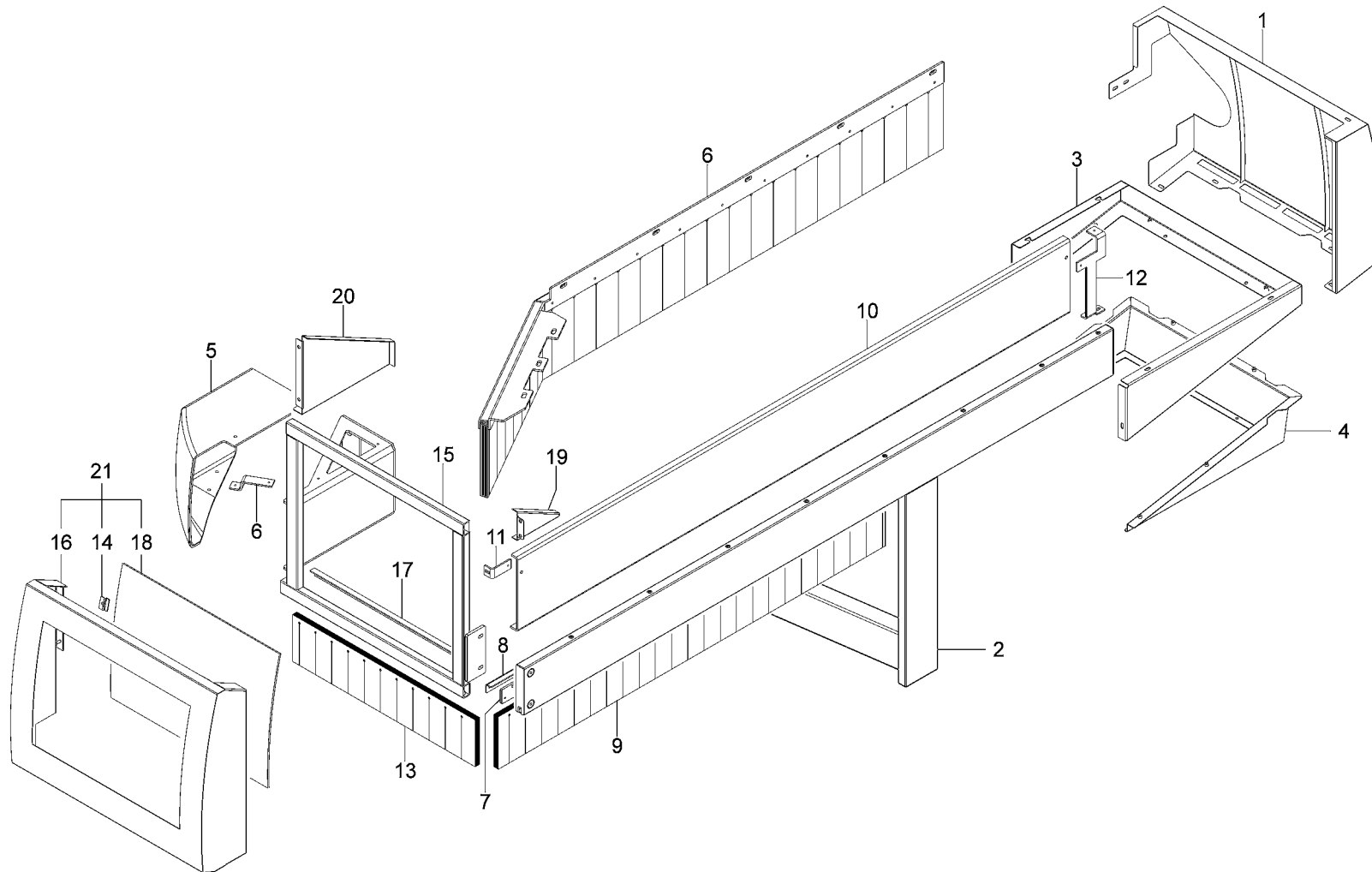
| POSITION | DRAWING/COMPONENT | DESCRIPTION                 |
|----------|-------------------|-----------------------------|
| 1        | 1303A0284         | BASE                        |
| 2        | 1208A2479         | CASING                      |
| 3        | 2914A1276         | GUIDE                       |
| 4        | 1426A0017         | MILLIMETRE RULE L=2400-3200 |
| 4        | 1426A0014         | MILLIMETRE RULE L=1600-2400 |
| 4        | 1426A0030         | MILLIMETRE RULE L=0-1600    |
| 5        | A0292A00          | BLOCK                       |



- 1 M0246A00
- 2 0913A0133
- 3 1212A0907
- 4 1208A2482
- 5 1205A1898
- 6 0818A0046 - L=1000
- 7 0818A0045 - L=500
- 8 2914A0026
- 9 0814A0702
- 10 2018A0013 - 30x15
- 11 1205A2031

A0313A01 - BASE - 23449\_ALL - ROVER S 15-02-2008

| POSITION | DRAWING/COMPONENT | DESCRIPTION  |
|----------|-------------------|--------------|
| 1        | M0246A00          | CHAIN        |
| 2        | 0913A0133         | DISTRIBUTOR  |
| 3        | 1212A0907         | BOX          |
| 4        | 1208A2482         | COVER        |
| 5        | 1205A1898         | SUPPORT      |
| 6        | 0818A0046         | RACK L=1000  |
| 7        | 0818A0045         | RACK L=500   |
| 8        | 2914A0026         | GUIDE        |
| 9        | 0814A0702         | PLATE        |
| 10       | 2018A0013         | BUFFER 30X15 |
| 11       | 1205A2031         | SUPPORT      |

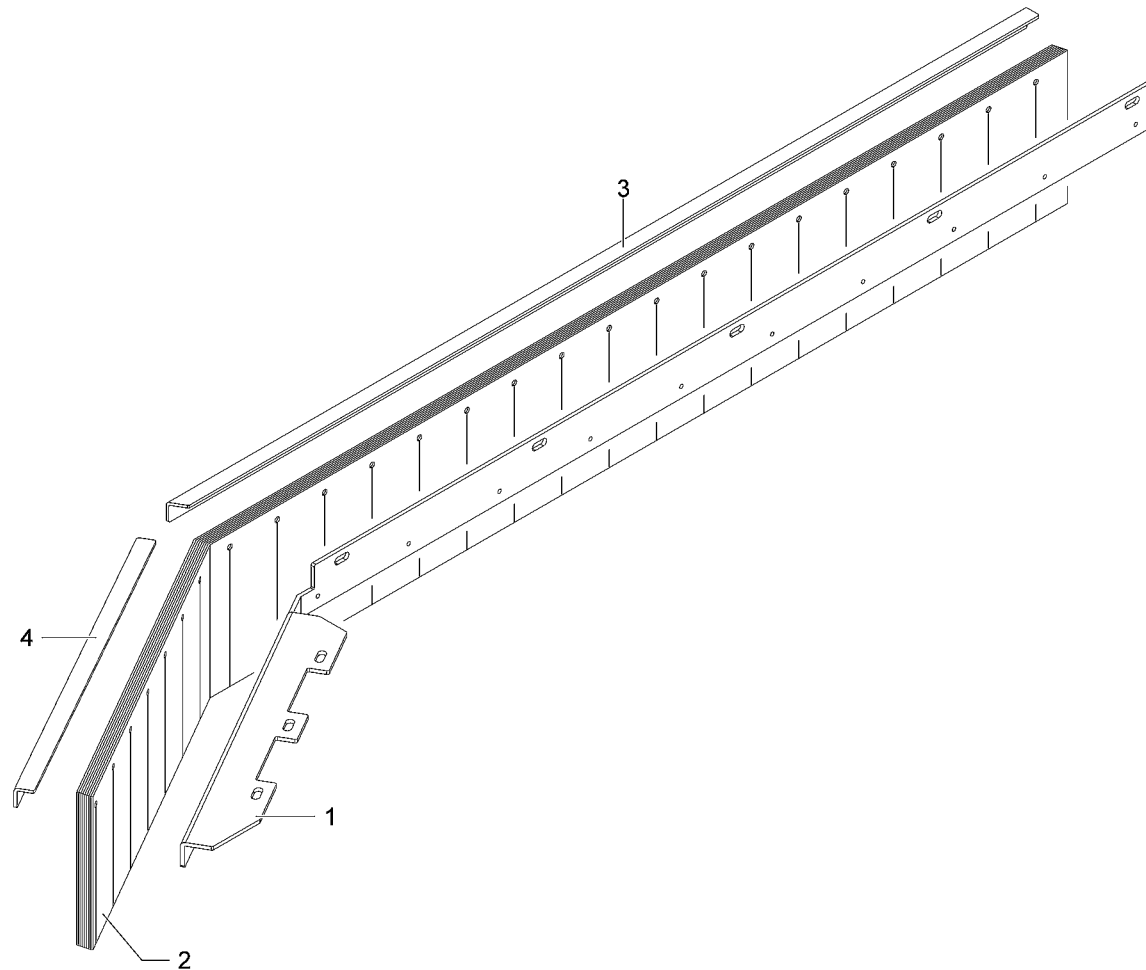


- 1 1208A2495
- 2 1205A1955
- 3 1208A2491
- 4 1208A2509
- 5 1408A0627
- 6 A0315A00
- 6 1214A1447
- 7 1214A1473
- 8 1214A1523
- 9 1708A0152
- 10 1408A0640
- 11 1214A1448
- 12 1214A1449
- 13 1708A0153
- 14 1214A1039V
- 15 1203A0183
- 16 1208A2584
- 17 1214A1524
- 18 1408A0669
- 19 1208A2585
- 20 1208A2586
- 21 1708A0160

A0314A01 - HEAD CASING - 23449\_ALL - ROVER S 15-02-2008

| POSITION | DRAWING/COMPONENT | DESCRIPTION                                |
|----------|-------------------|--|
| 1        | 1208A2495         | COVER                                      |
| 2        | 1205A1955         | FRAME                                      |
| 3        | 1208A2491         | CASING                                     |
| 4        | 1208A2509         | CASING                                     |
| 5        | 1408A0627         | CASING                                     |
| 6        | A0315A00          | OPERATING SECTION COVER AND GUARD ASSEMBLY |
| 6        | 1214A1447         | BRACKET                                    |
| 7        | 1214A1473         | BRACKET                                    |
| 8        | 1214A1523         | BRACKET                                    |
| 9        | 1708A0152         | CURTAIN GUARD                              |
| 10       | 1408A0640         | CASING                                     |
| 11       | 1214A1448         | BRACKET                                    |
| 12       | 1214A1449         | BRACKET                                    |
| 13       | 1708A0153         | CURTAIN GUARD                              |
| 14       | 1214A1039V        | SMALL PLATE                                |
| 15       | 1203A0183         | FRAME                                      |
| 16       | 1208A2584         | DOOR                                       |
| 17       | 1214A1524         | BRACKET                                    |
| 18       | 1408A0669         | PANEL                                      |
| 19       | 1208A2585         | CASING                                     |
| 20       | 1208A2586         | CASING                                     |
| 21       | 1708A0160         | CASING                                     |

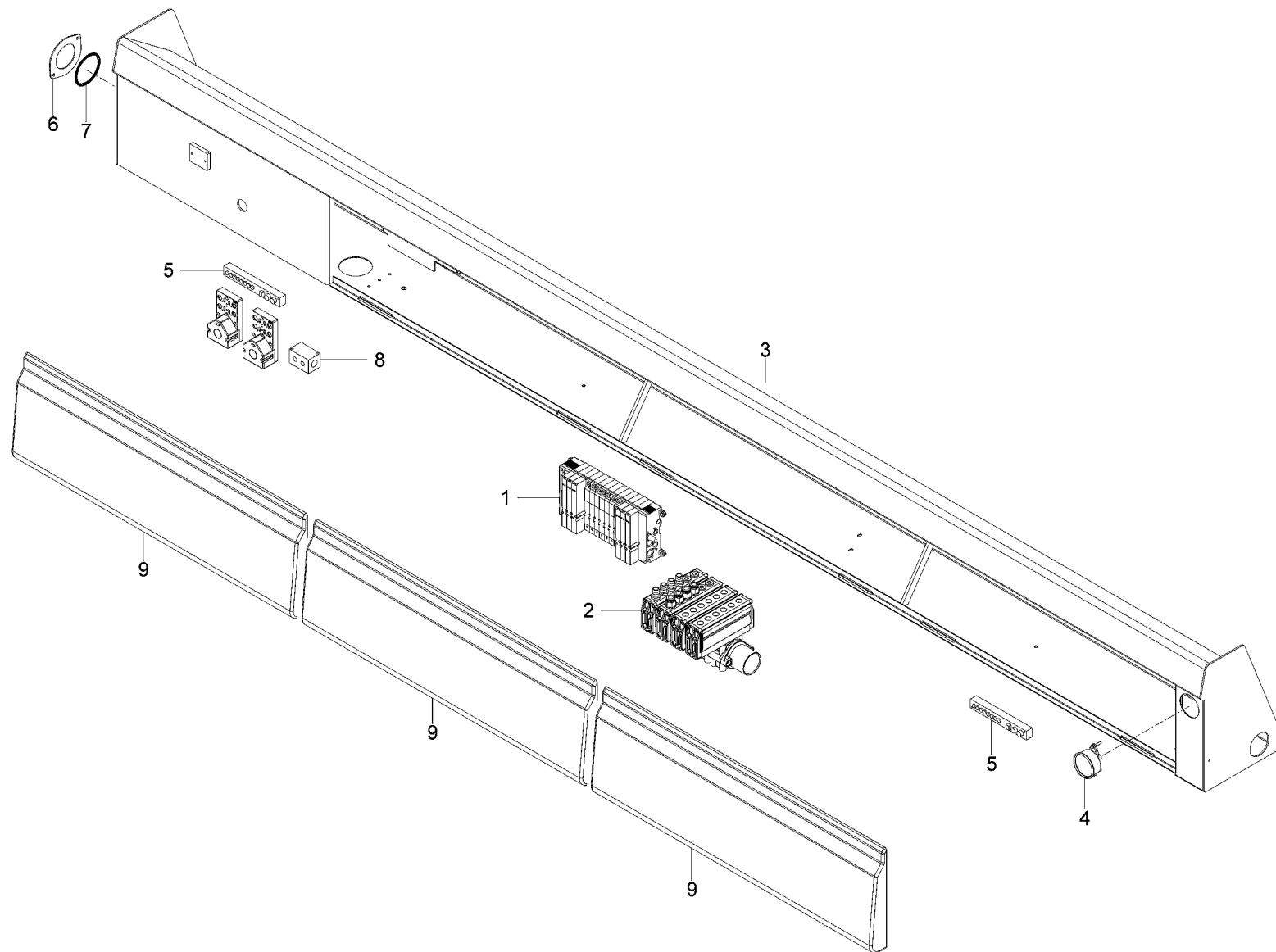
- 1 1214A1475
- 2 1708A0154
- 3 1214A1525
- 4 1214A1526





A0315A00 - OPERATING SECTION COVER AND GUARD ASSEMBLY - 23449\_ALL - ROVER S 15-02-2008

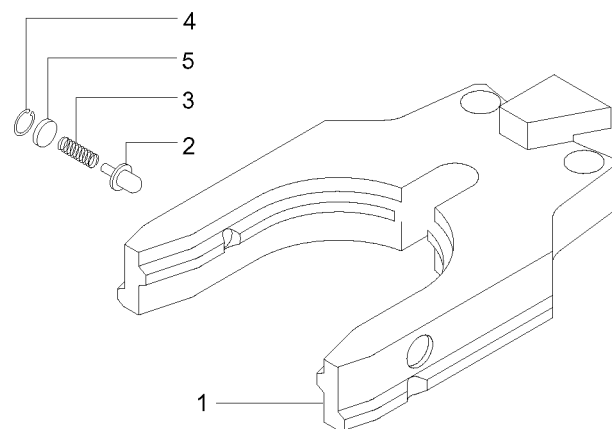
| POSITION | DRAWING/COMPONENT | DESCRIPTION   |
|----------|-------------------|---------------|
| 1        | 1214A1475         | PLATE         |
| 2        | 1708A0154         | CURTAIN GUARD |
| 3        | 1214A1525         | BRACKET       |
| 4        | 1214A1526         | BRACKET       |



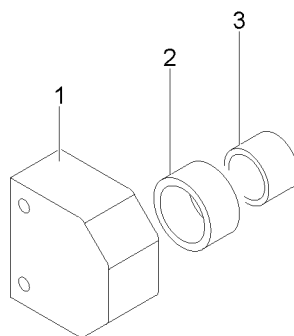
- 1 N0400A00
- 2 N0380A00
- 3 1212A0903
- 4 2424A0005
- 5 0109DC201B0
- 6 1201A0025V - D=65
- 7 1419A0053
- 8 0913A0133
- 9 1408A0563

A0316A01 - BASE - 23449\_ALL - ROVER S 15-02-2008

| POSITION | DRAWING/COMPONENT | DESCRIPTION  |
|----------|-------------------|--------------|
| 1        | N0400A00          | ELECTROVALVE |
| 2        | N0380A00          | DISTRIBUTOR  |
| 3        | 1212A0903         | BOX          |
| 4        | 2424A0005         | VACUOMETER   |
| 5        | 0109DC201B0       | COMMAND UNIT |
| 6        | 1201A0025V        | FLANGE D=65  |
| 7        | 1419A0053         | GASKET       |
| 8        | 0913A0133         | DISTRIBUTOR  |
| 9        | 1408A0563         | COVER        |

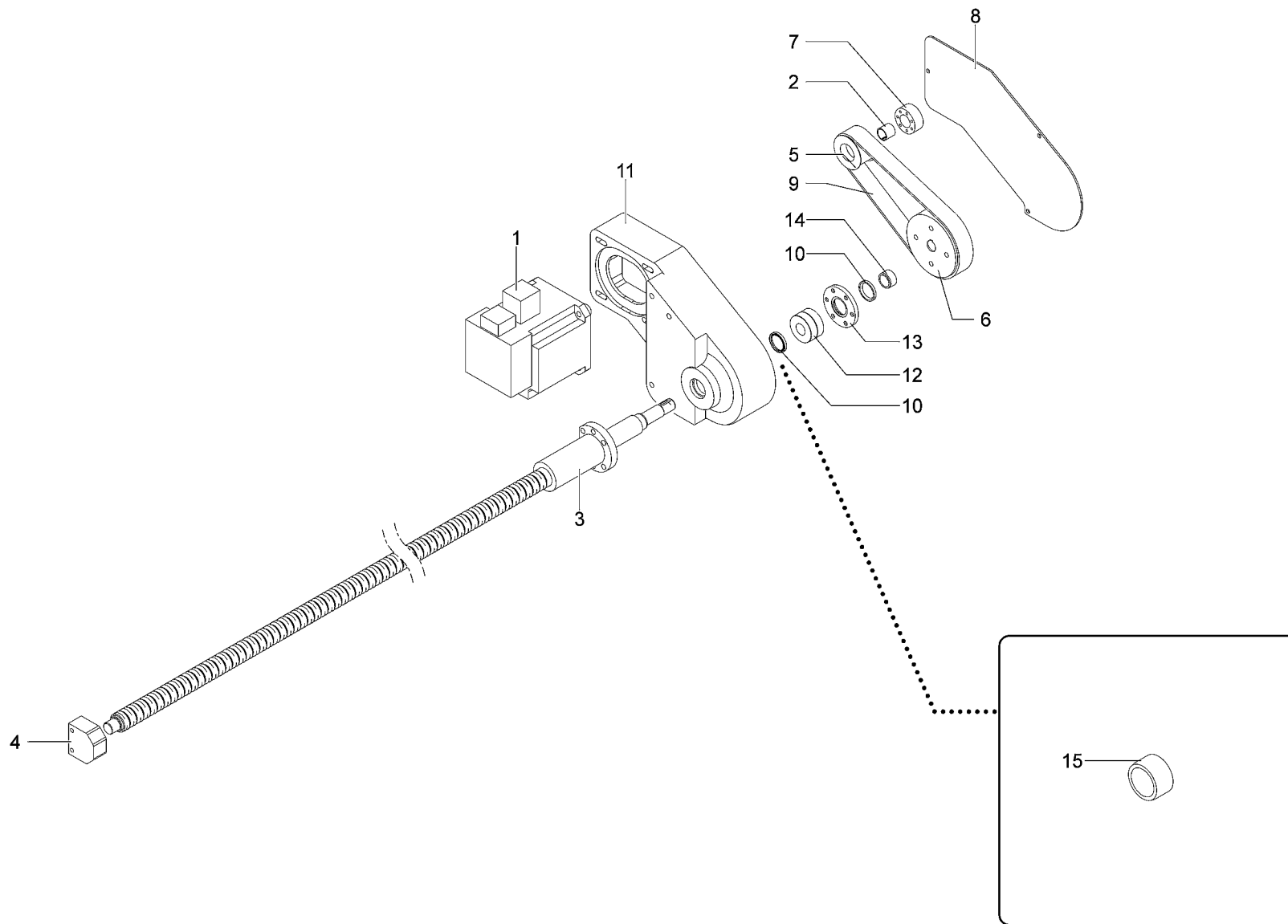


- 1 0905A1882
- 2 2906A0008
- 3 2906A0009 - LR 20 X 25 ..



B0451A00 - SUPPORT - 23449\_ALL - ROVER S 15-02-2008

| POSITION | DRAWING/COMPONENT | DESCRIPTION            |
|----------|-------------------|------------------------|
| 1        | 0905A1882         | SUPPORT                |
| 2        | 2906A0008         | HOLDER                 |
| 3        | 2906A0009         | RING LR 20 X 25 X 16.5 |

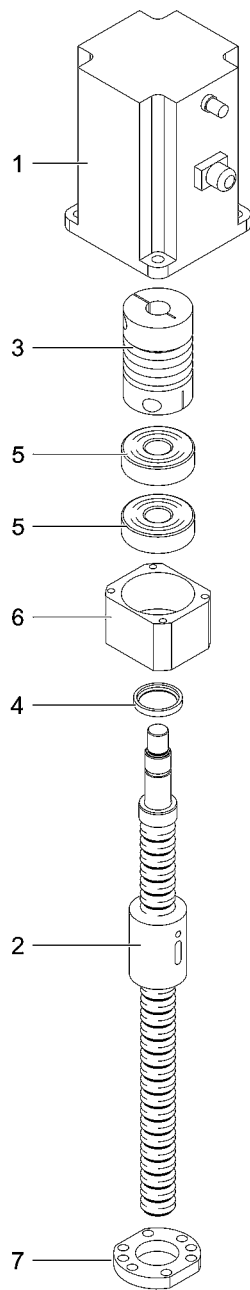


- 1 2201A0394 - SGMGH-05DCA.
- 2 0806A0276
- 3 0815A0383
- 4 B0451A00
- 5 0922A0121
- 6 0922A0197 - Z=72
- 7 270708100
- 8 1208A1906V
- 9 2701A0379 - L=700
- 10 311403900 - G26X34X4
- 11 0912A0251V
- 12 2904A0362
- 13 0801A0090
- 14 0806A0528
- 15 080659401

## B0498A01 - Y AXIS DRIVE UNIT - 23449\_ALL - ROVER S 15-02-2008

| POSITION | DRAWING/COMPONENT | DESCRIPTION            |
|----------|-------------------|------------------------|
| 1        | 2201A0394         | MOTOR SGMGH-05DCA YG13 |
| 2        | 0806A0276         | SPACER                 |
| 3        | 0815A0383         | SCREW                  |
| 4        | B0451A00          | SUPPORT                |
| 5        | 0922A0121         | PULLEY                 |
| 6        | 0922A0197         | PULLEY Z=72            |
| 7        | 270708100         | KEYING DEVICE          |
| 8        | 1208A1906V        | COVER                  |
| 9        | 2701A0379         | BELT L=700             |
| 10       | 311403900         | RING G26X34X4          |
| 11       | 0912A0251V        | CONTROL BOX            |
| 12       | 2904A0362         | BEARING                |
| 13       | 0801A0090         | FLANGE                 |
| 14       | 0806A0528         | SPACER                 |
| 15       | 080659401         | SPACER                 |

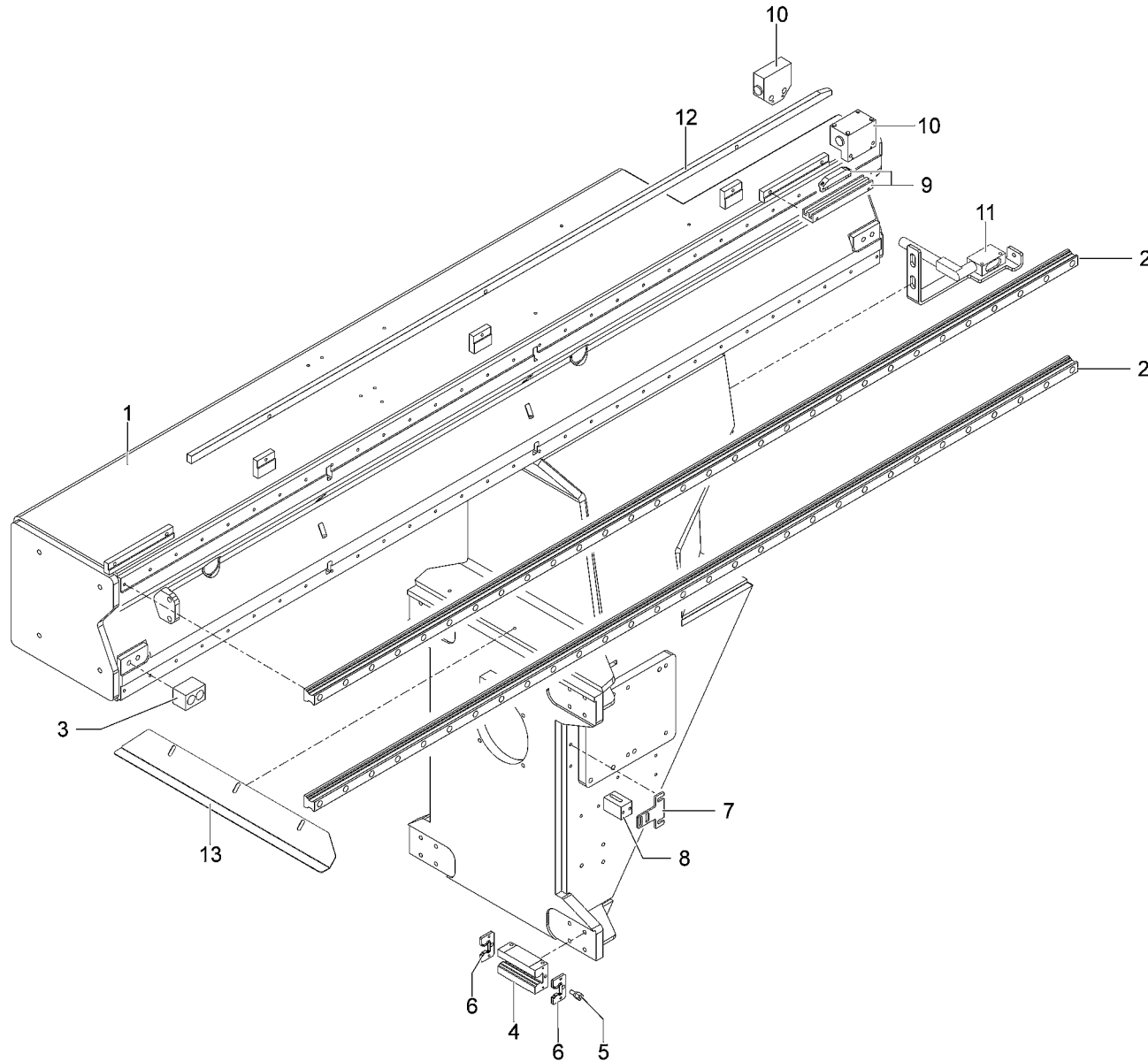




- 1 2204A0092
- 2 0815A0380
- 3 2707A0004
- 4 311403300
- 5 2904A0367
- 6 0817A0173
- 7 0801A0503

B0499A00 - DRIVE UNIT - 23449\_ALL - ROVER S 15-02-2008

| POSITION | DRAWING/COMPONENT | DESCRIPTION |
|----------|-------------------|-------------|
| 1        | 2204A0092         | MOTOR       |
| 2        | 0815A0380         | SCREW       |
| 3        | 2707A0004         | JOINT       |
| 4        | 311403300         | SEAL RING   |
| 5        | 2904A0367         | BEARING     |
| 6        | 0817A0173         | BUSHING     |
| 7        | 0801A0503         | FLANGE      |

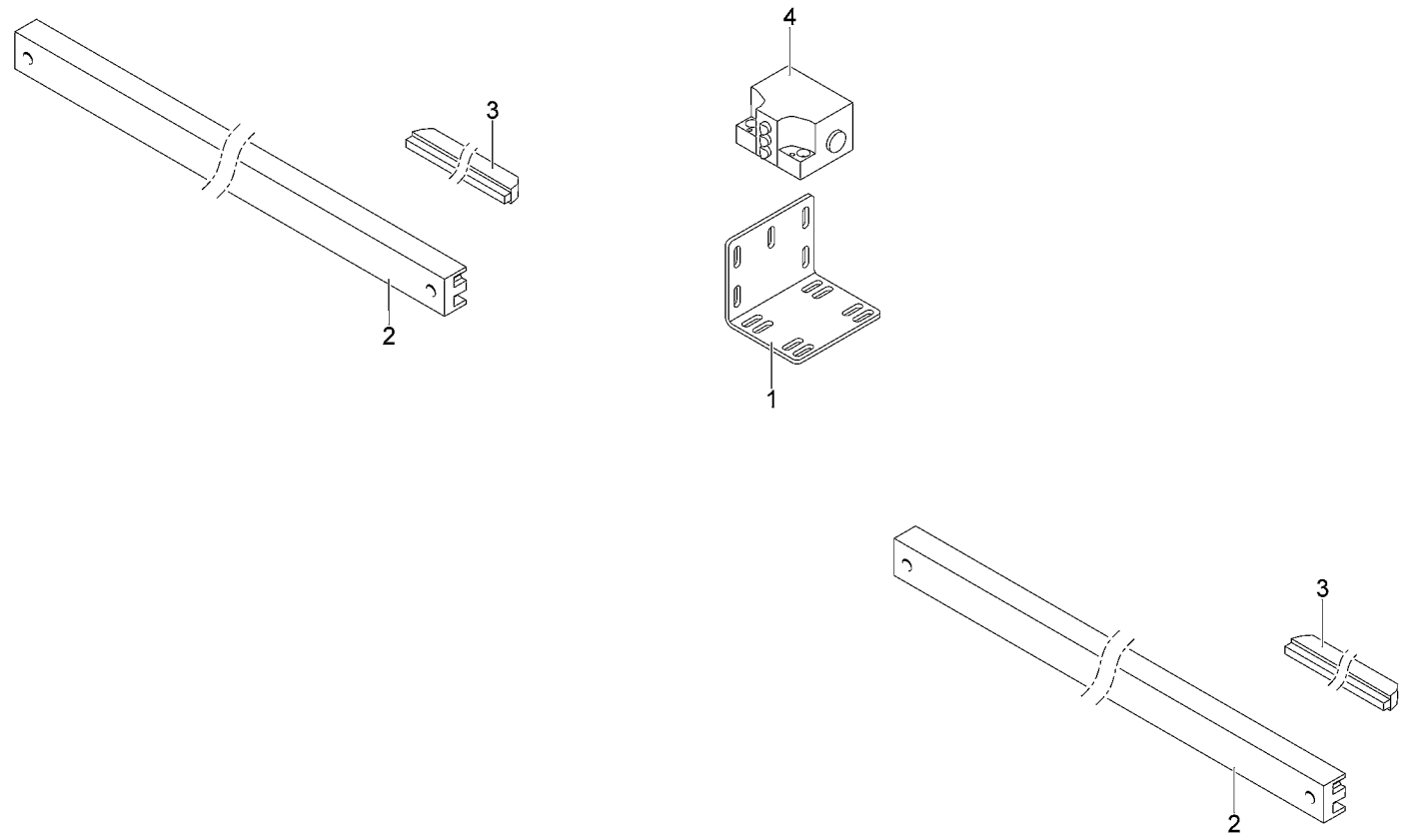


- 1 1311A0138
- 2 2914A1324
- 3 0814A0904
- 4 291403000 - 1622-223-20
- 5 080662500 - H=23
- 6 3120A0010 - H=25 mm
- 7 1205A1901
- 8 0913A0131
- 9 B0509A00
- 10 H0249A02
- 11 P0087A00
- 12 H0289A01
- 13 1208A2480

## B0505A00 - X AXIS CARRIAGE - 23449\_ALL - ROVER S 15-02-2008

| POSITION | DRAWING/COMPONENT | DESCRIPTION             |
|----------|-------------------|-------------------------|
| 1        | 1311A0138         | CARRIAGE                |
| 2        | 2914A1324         | GUIDE                   |
| 3        | 0814A0904         | PLATE                   |
| 4        | 291403000         | SLIDE BLOCK 1622-223-20 |
| 5        | 080662500         | SPACER H=23             |
| 6        | 3120A0010         | SCRAPER H=25 MM         |
| 7        | 1205A1901         | BRACKET                 |
| 8        | 0913A0131         | DISTRIBUTOR             |
| 9        | B0509A00          | LIMIT SWITCH            |
| 10       | H0249A02          | SAFETY LIMIT SWITCH     |
| 11       | P0087A00          | PHOTOCELL               |
| 12       | H0289A01          | AXIS Y LIMIT SWITCH     |
| 13       | 1208A2480         | CASING                  |

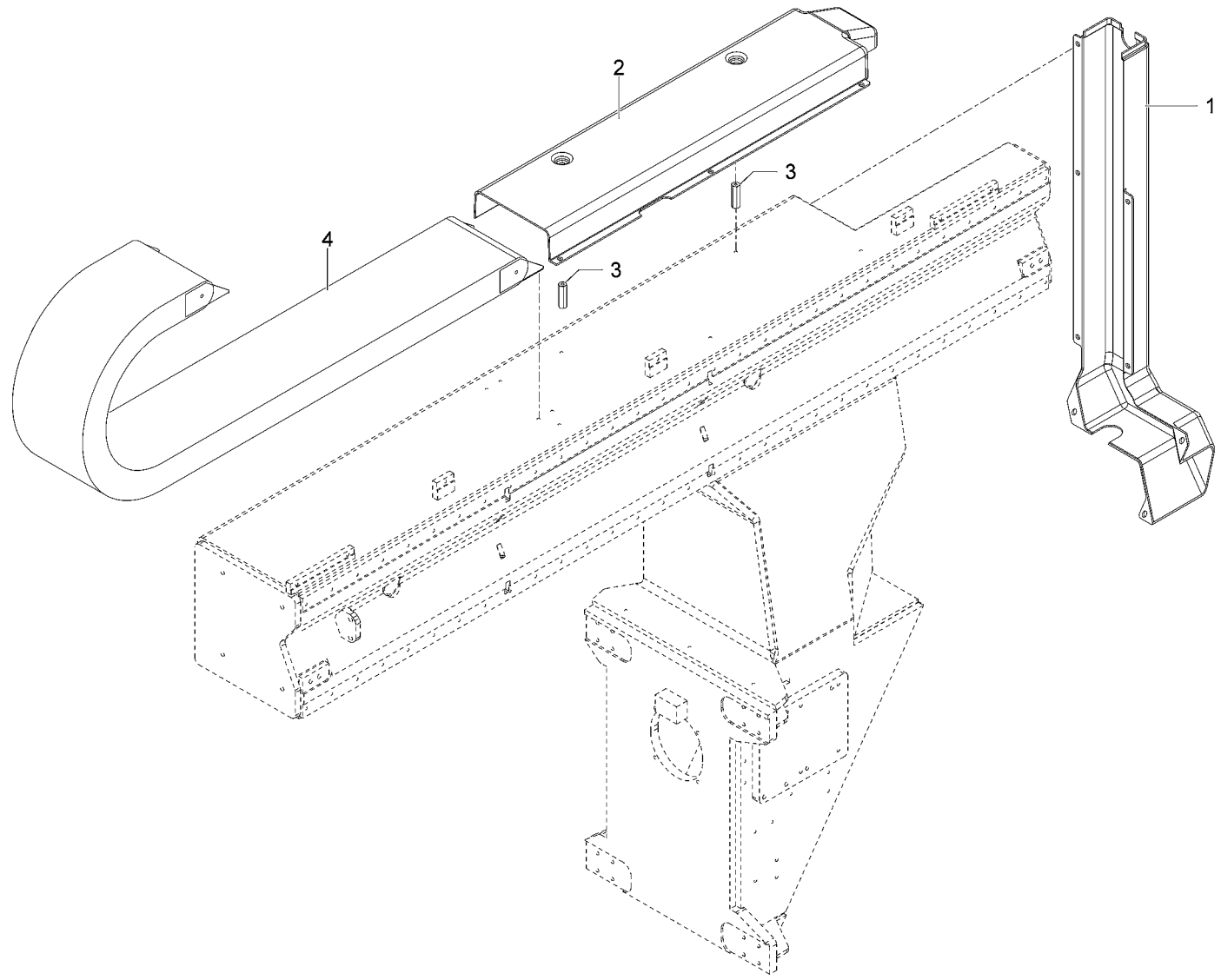
- 1 1205A1368
- 2 091115301
- 3 1709A0014
- 4 H0249A02



B0506A00 - LIMIT SWITCH - 23449\_ALL - ROVER S 15-02-2008

| POSITION | DRAWING/COMPONENT | DESCRIPTION         |
|----------|-------------------|---------------------|
| 1        | 1205A1368         | SUPPORT             |
| 2        | 091115301         | GUIDE               |
| 3        | 1709A0014         | CAM ASSEMBLY        |
| 4        | H0249A02          | SAFETY LIMIT SWITCH |

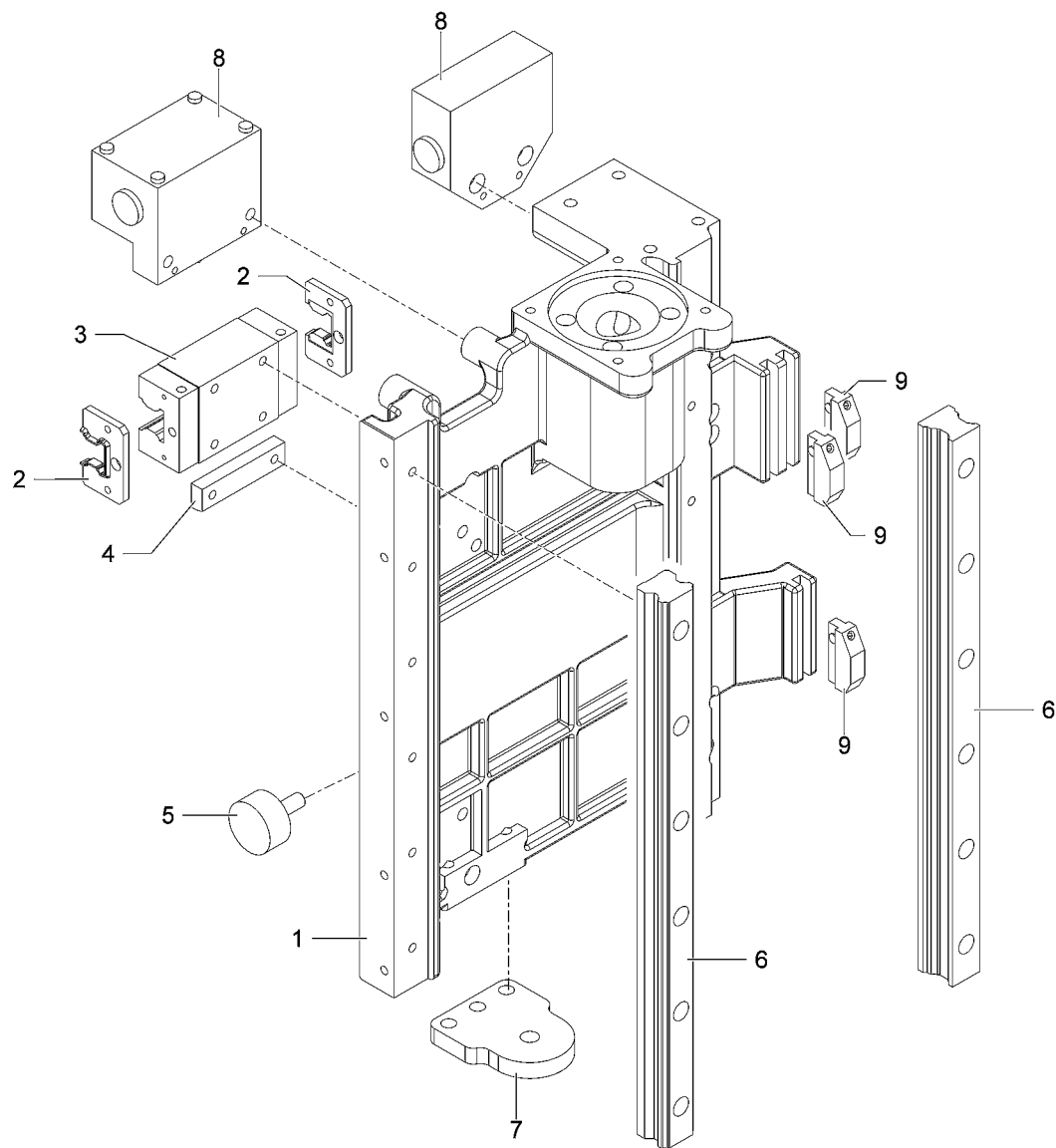
- 1 1408A0621
- 2 1408A0622
- 3 0806A0631
- 4 M0246A00



B0507A00 - CABLE RACEWAYS - 23449\_ALL - ROVER S 15-02-2008

| POSITION | DRAWING/COMPONENT | DESCRIPTION |
|----------|-------------------|-------------|
| 1        | 1408A0621         | CASING      |
| 2        | 1408A0622         | CASING      |
| 3        | 0806A0631         | SPACER      |
| 4        | M0246A00          | CHAIN       |



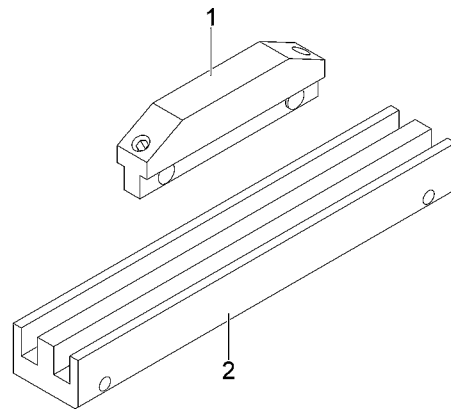


- 1 0911A0449
- 2 3120A0010 - H=25 mm
- 3 291403000 - 1622-223-20
- 4 0814A0367
- 5 2018A0013 - 30x15
- 6 2914A0744
- 7 0814A1562
- 8 H0249A02
- 9 B0512A00

## B0508A00 - Y AXIS CARRIAGE - 23449\_ALL - ROVER S 15-02-2008

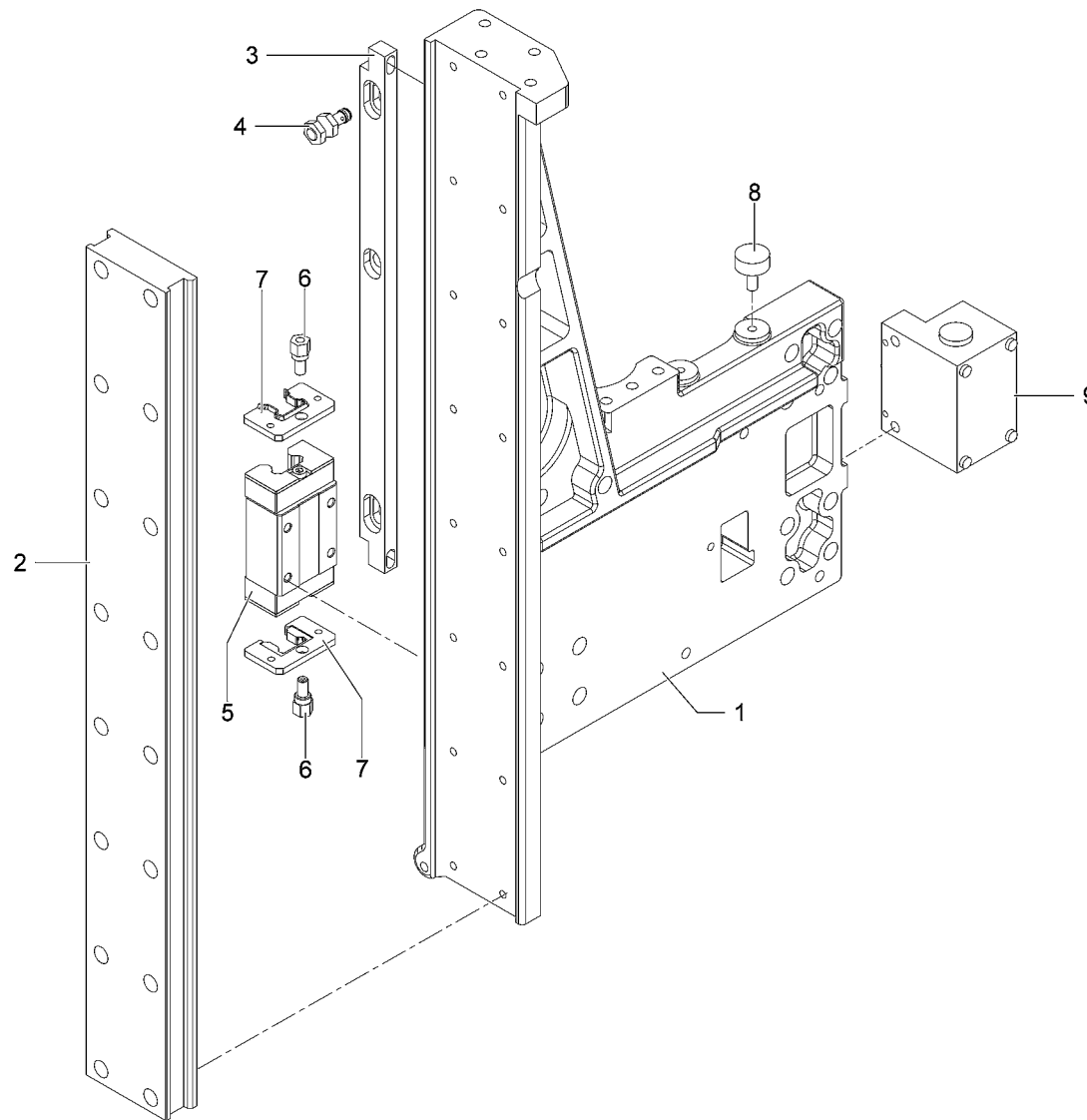
| POSITION | DRAWING/COMPONENT | DESCRIPTION             |
|----------|-------------------|-------------------------|
| 1        | 0911A0449         | CARRIAGE                |
| 2        | 3120A0010         | SCRAPER H=25 MM         |
| 3        | 291403000         | SLIDE BLOCK 1622-223-20 |
| 4        | 0814A0367         | PLATE                   |
| 5        | 2018A0013         | BUFFER 30X15            |
| 6        | 2914A0744         | GUIDE                   |
| 7        | 0814A1562         | PLATE                   |
| 8        | H0249A02          | SAFETY LIMIT SWITCH     |
| 9        | B0512A00          | LIMIT SWITCH            |

1 1709A0014  
2 0911A0438



B0509A00 - LIMIT SWITCH - 23449\_ALL - ROVER S 15-02-2008

| POSITION | DRAWING/COMPONENT | DESCRIPTION  |
|----------|-------------------|--------------|
| 1        | 1709A0014         | CAM ASSEMBLY |
| 2        | 0911A0438         | GUIDE        |

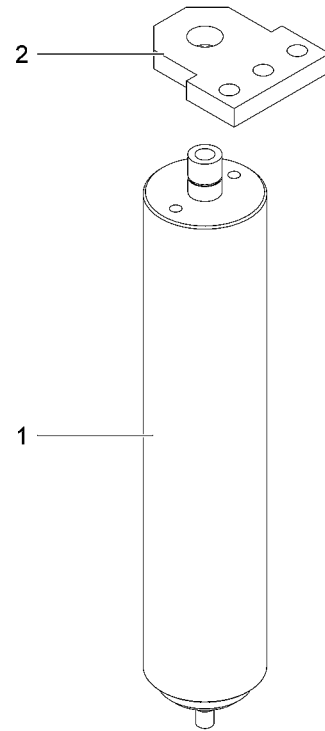


- 1 0911A0450
- 2 2914A1322
- 3 0914A0948
- 4 2164A0355
- 5 291403000 - 1622-223-20
- 6 080662500 - H=23
- 7 3120A0010 - H=25 mm
- 8 201800600 - 20x8,5
- 9 H0249A02

B0510A00 - CARRIAGE - 23449\_ALL - ROVER S 15-02-2008

| POSITION | DRAWING/COMPONENT | DESCRIPTION             |
|----------|-------------------|-------------------------|
| 1        | 0911A0450         | CARRIAGE                |
| 2        | 2914A1322         | GUIDE                   |
| 3        | 0914A0948         | BLOCK                   |
| 4        | 2164A0355         | SENSOR                  |
| 5        | 291403000         | SLIDE BLOCK 1622-223-20 |
| 6        | 080662500         | SPACER H=23             |
| 7        | 3120A0010         | SCRAPER H=25 MM         |
| 8        | 201800600         | BUMPER 20X8,5           |
| 9        | H0249A02          | SAFETY LIMIT SWITCH     |

1 6430A0077  
2 0814A0533

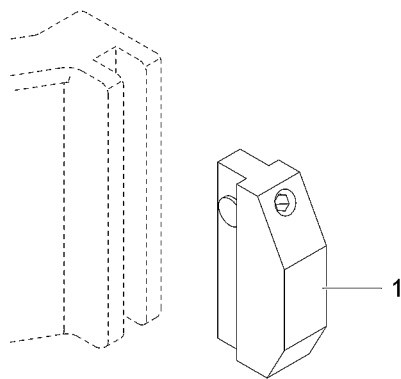


B0511A00 - COMPENSATION DEVICE - 23449\_ALL - ROVER S 15-02-2008

| POSITION | DRAWING/COMPONENT | DESCRIPTION |
|----------|-------------------|-------------|
| 1        | 6430A0077         | CYLINDER    |
| 2        | 0814A0533         | PLATE       |

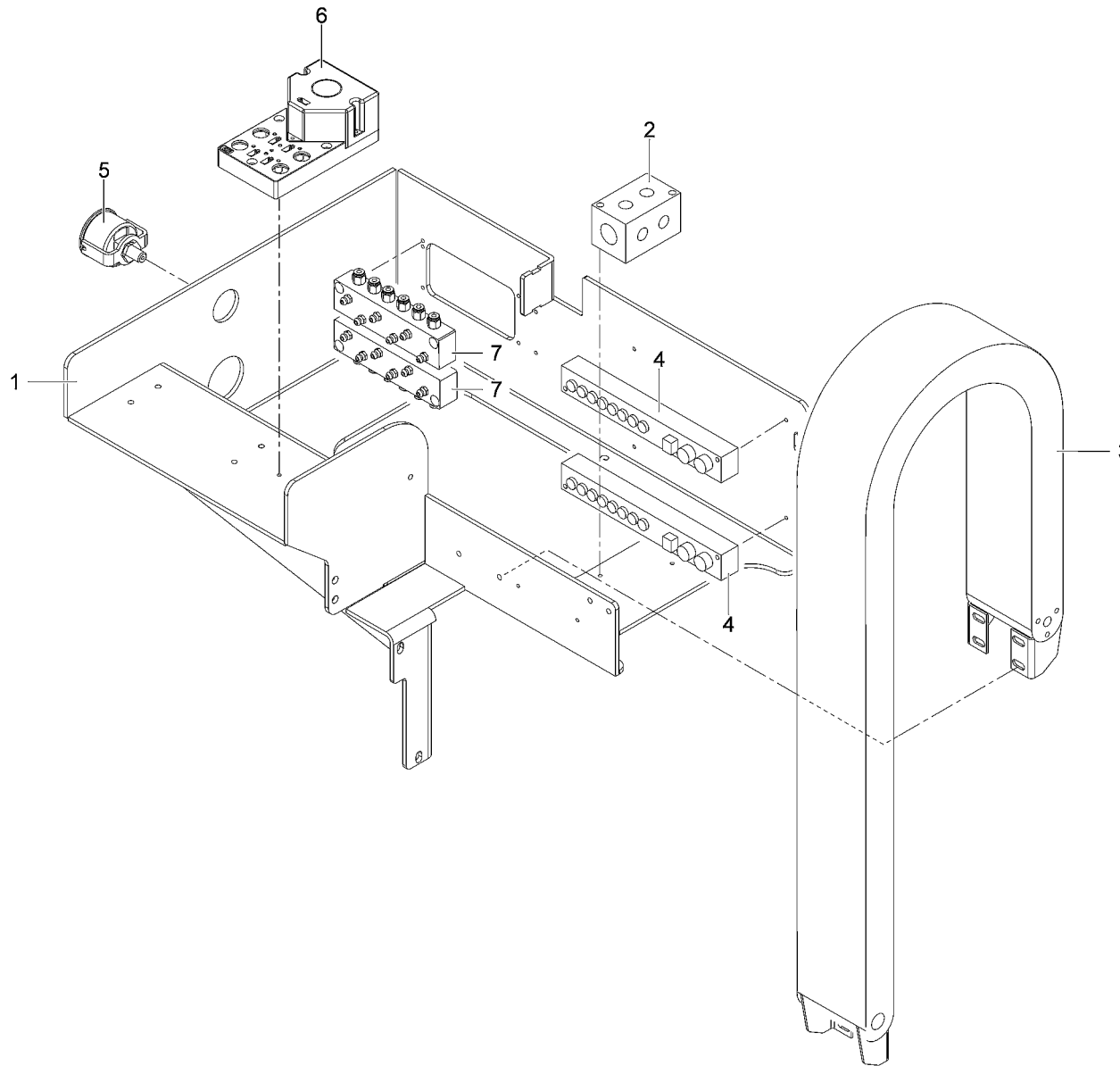


1 161402601 - L=40



B0512A00 - LIMIT SWITCH - 23449\_ALL - ROVER S 15-02-2008

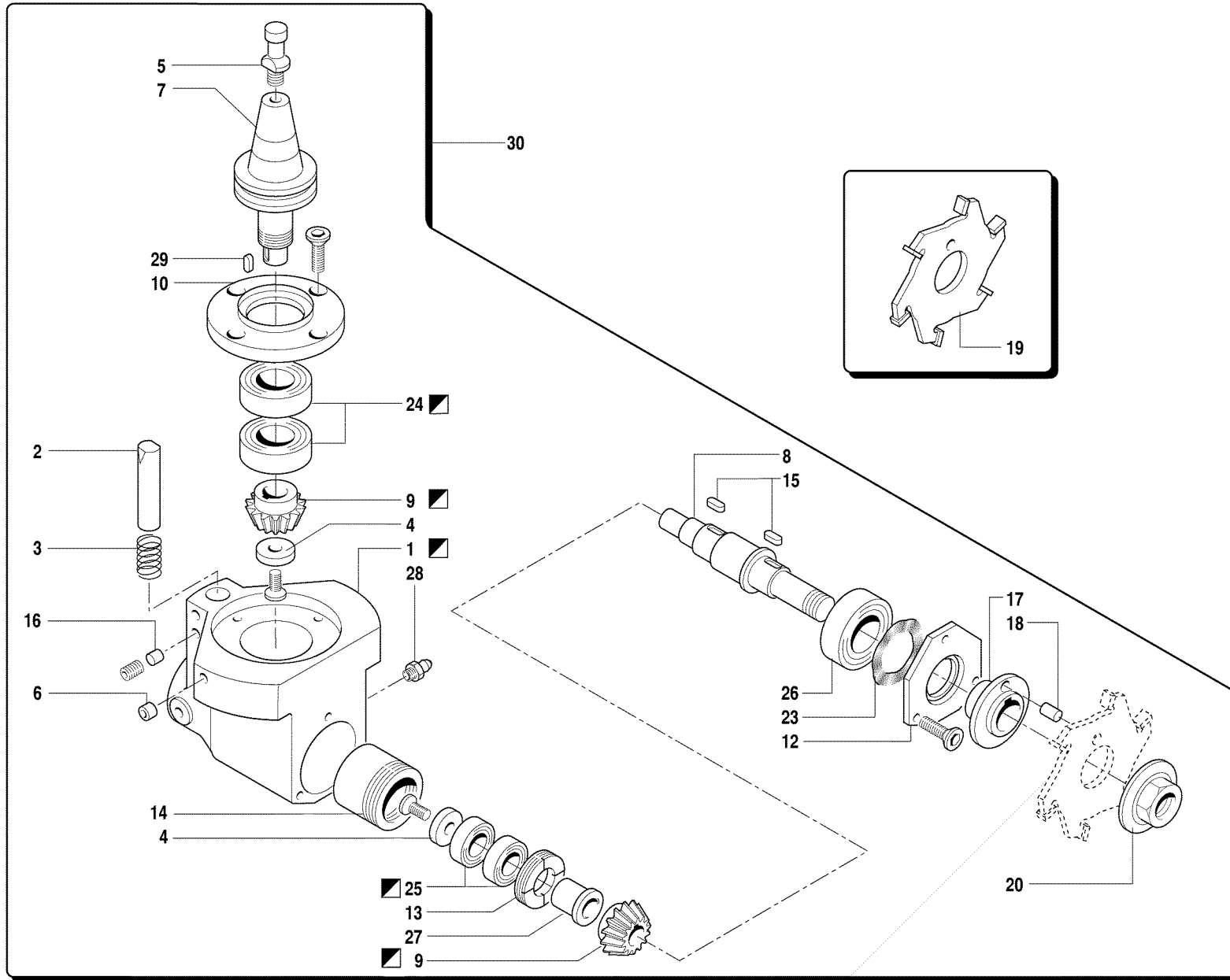
| POSITION | DRAWING/COMPONENT | DESCRIPTION       |
|----------|-------------------|-------------------|
| 1        | 161402601         | CAM ASSEMBLY L=40 |



- 1 1205A1899
- 2 0913A0133
- 3 6415A0523
- 4 0109DC201B0
- 5 242401500 - M3F-40 PNEU..
- 6 0923A0057
- 7 N0279A00

B0513A00 - CABLE RACEWAYS - 23449\_ALL - ROVER S 15-02-2008

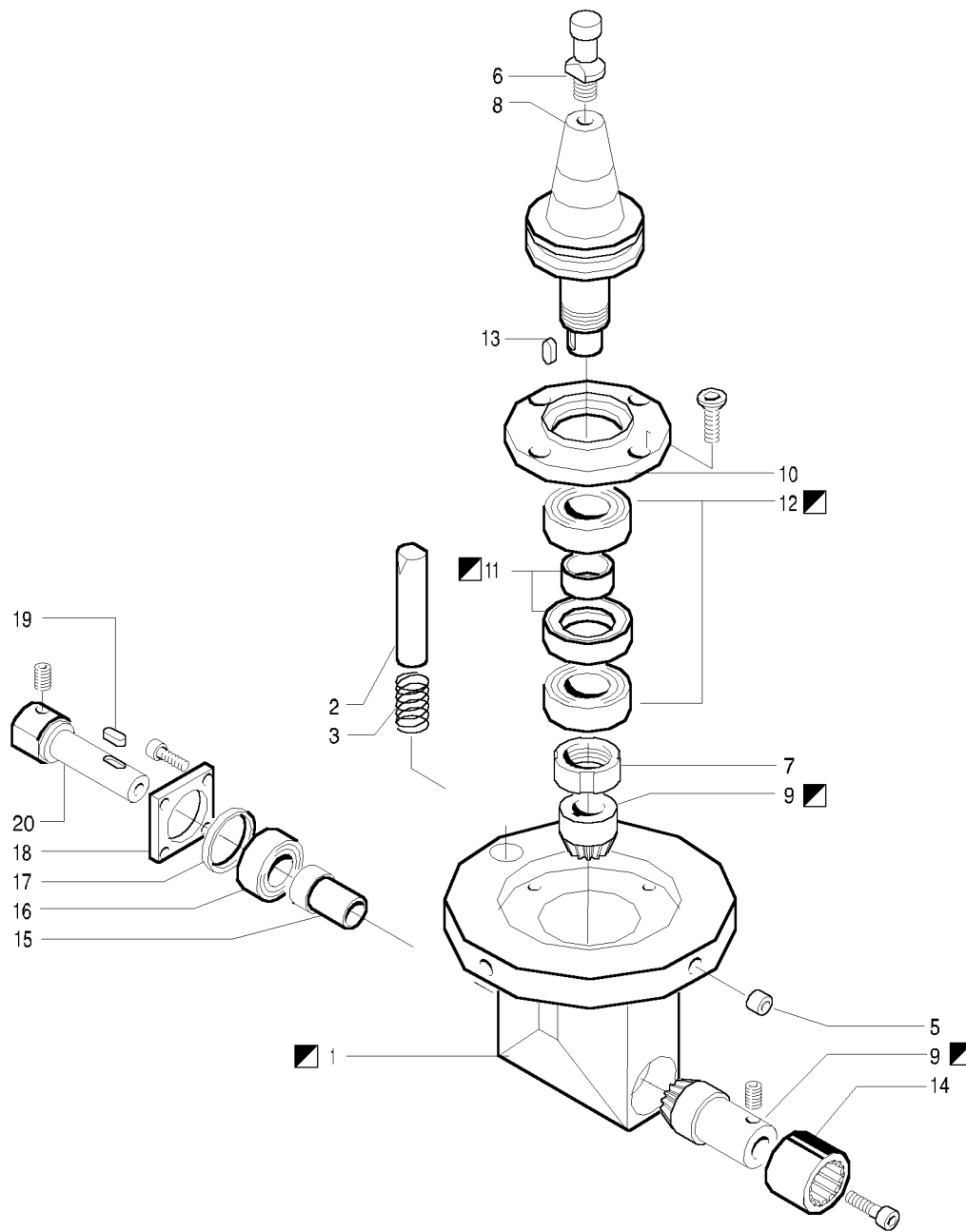
| POSITION | DRAWING/COMPONENT | DESCRIPTION                     |
|----------|-------------------|---------------------------------|
| 1        | 1205A1899         | SUPPORT                         |
| 2        | 0913A0133         | DISTRIBUTOR                     |
| 3        | 6415A0523         | CABLE RACEWAYS                  |
| 4        | 0109DC201B0       | COMMAND UNIT                    |
| 5        | 242401500         | PRESSURE GAUGE M3F-40 PNEUMATEC |
| 6        | 0923A0057         | PLATE                           |
| 7        | N0279A00          | LUBRICATION SYSTEM              |



- 1 1605A0007
- 2 0820A0049 - ISO 30
- 3 280106700
- 4 0804A0068
- 5 0804A0013 - ISO 30
- 6 081718600 - HSK
- 7 080748600
- 8 0807A0337
- 9 162102501
- 10 080122000
- 12 090840100
- 13 080460711
- 14 081716101
- 15 302514000 - 5X5X10
- 16 112001000
- 17 0801A0112
- 18 0820A0213
- 19 C0681A01
- 20 0801A0286
- 23 280701000
- 24 290304800 - 20-42-12
- 25 290304900 - 12-28-8
- 26 290305000 - 20-47-14
- 27 0806A0032
- 28 260500700
- 29 080487200 - 5X4X10
- 30 6314A0269 - D.120 mm

C0259A04 - AGGREGATE - D=120 - 23449\_ALL - ROVER S 15-02-2008

| POSITION | DRAWING/COMPONENT | DESCRIPTION        |
|----------|-------------------|--------------------|
| 1        | 1605A0007         | SUPPORT            |
| 2        | 0820A0049         | PIN ISO 30         |
| 3        | 280106700         | SPRING             |
| 4        | 0804A0068         | WASHER             |
| 5        | 0804A0013         | TIE ROD ISO 30     |
| 6        | 081718600         | BUSHING HSK        |
| 7        | 080748600         | SHAFT              |
| 8        | 0807A0337         | SHAFT              |
| 9        | 162102501         | BEVEL GEAR SET     |
| 10       | 080122000         | FLANGE             |
| 12       | 090840100         | PLATE              |
| 13       | 080460711         | RING NUT           |
| 14       | 081716101         | BUSHING            |
| 15       | 302514000         | TONGUE 5X5X10      |
| 16       | 112001000         | DOWEL              |
| 17       | 0801A0112         | FLANGE             |
| 18       | 0820A0213         | DOWEL              |
| 19       | C0681A01          | MILLING CUTTER     |
| 20       | 0801A0286         | FLANGE             |
| 23       | 280701000         | RING               |
| 24       | 290304800         | BEARING 20-42-12   |
| 25       | 290304900         | BEARING 12-28-8    |
| 26       | 290305000         | BEARING 20-47-14   |
| 27       | 0806A0032         | SPACER             |
| 28       | 260500700         | GREASING NIPPLE    |
| 29       | 080487200         | FEATHER 5X4X10     |
| 30       | 6314A0269         | AGGREGATE D.120 MM |

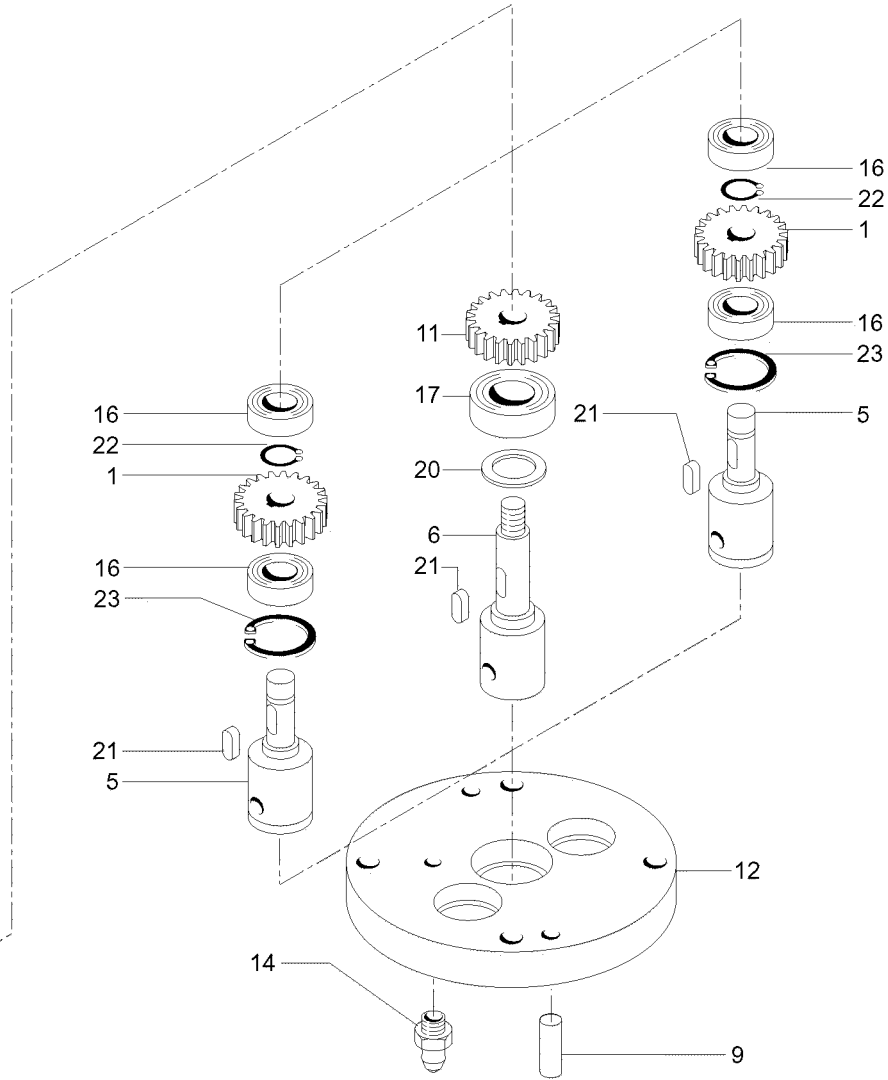
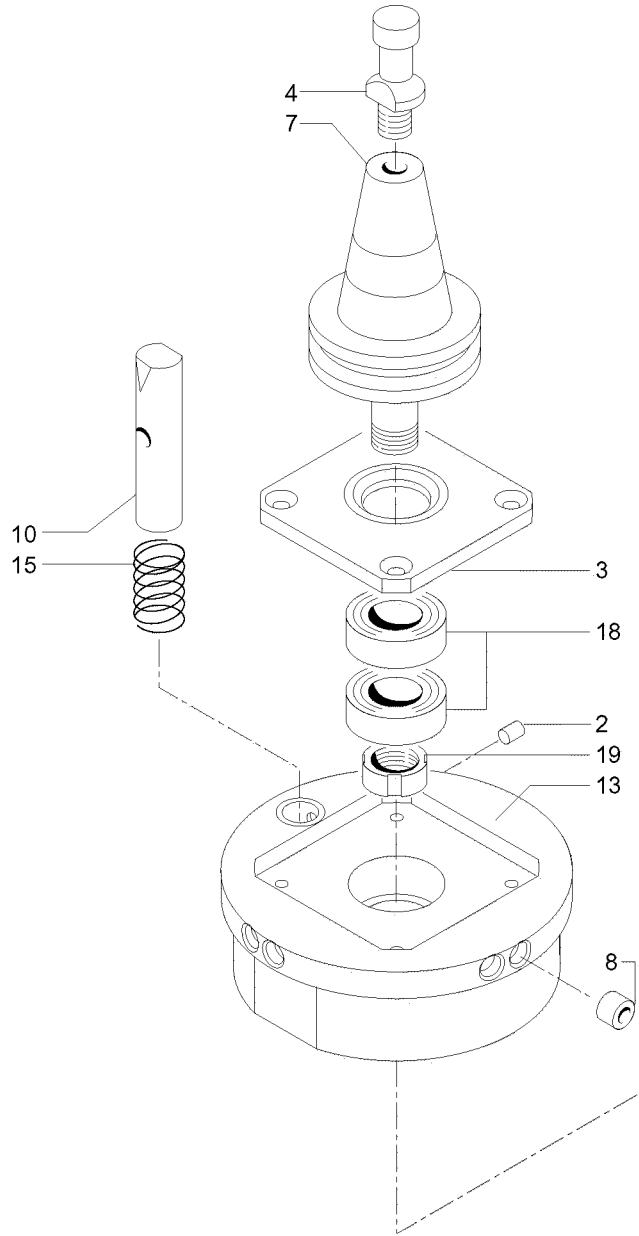


- 1 1605A0009
- 2 0820A0043
- 3 280106700
- 5 081718600 - HSK
- 6 0804A0013 - ISO 30
- 7 301700200 - M20X1
- 8 080748400
- 9 162102800
- 10 080122000
- 11 160606700
- 12 290304800 - 20-42-12
- 13 302514000 - 5X5X10
- 14 290602000 - 22-28-14
- 15 080634800
- 16 290401600 - 12-28-12
- 17 080632500
- 18 081485211
- 19 302510900 - 4X4X8
- 20 080732110 - SX

C0260A05 - AGGREGATE - HSK F63 - 23449\_ALL - ROVER S 15-02-2008

| POSITION | DRAWING/COMPONENT | DESCRIPTION      |
|----------|-------------------|------------------|
| 1        | 1605A0009         | FLANGE           |
| 2        | 0820A0043         | PIN              |
| 3        | 280106700         | SPRING           |
| 5        | 081718600         | BUSHING HSK      |
| 6        | 0804A0013         | TIE ROD ISO 30   |
| 7        | 301700200         | RING NUT M20X1   |
| 8        | 080748400         | SHAFT            |
| 9        | 162102800         | BEVEL GEAR SET   |
| 10       | 080122000         | FLANGE           |
| 11       | 160606700         | SPACER           |
| 12       | 290304800         | BEARING 20-42-12 |
| 13       | 302514000         | TONGUE 5X5X10    |
| 14       | 290602000         | BEARING 22-28-14 |
| 15       | 080634800         | SPACER           |
| 16       | 290401600         | BEARING 12-28-12 |
| 17       | 080632500         | SPACER           |
| 18       | 081485211         | PLATE            |
| 19       | 302510900         | TONGUE 4X4X8     |
| 20       | 080732110         | SPINDLE SX       |





- 1 000104346 - D=24,738 H=..
- 1 000104344 - D=23
- 1 000104347 - D=25 H=9
- 2 112001000
- 3 0801A0265
- 4 0804A0013 - ISO 30
- 5 080749000 - LH
- 6 0807A0132 - HSK
- 7 0807A0130
- 8 081718600 - HSK
- 9 082001101 - 8X28
- 10 0820A0049 - ISO 30
- 11 082128400 - DP=23,846
- 11 082125400 - D=27,5
- 11 082126100 - D=36
- 12 0908A0007 - 45X9,5
- 12 0908A0018 - 52X5,5
- 12 0908A0009 - 48X6
- 13 1612A0120 - D=45X9,5
- 13 1612A0141 - D=48X6
- 13 1612A0143 - 52X5,5
- 14 260500700
- 15 280106700
- 16 290100100 - 608-2RS RIV..
- 17 290106800 - 61900-2RS1
- 17 290101700 - 6000-2RSH
- 18 290304600
- 19 301700400 - M15X1
- 20 080666000
- 21 302508000 - 3x3x6
- 21 302508500 - 3X3X15
- 22 302900500 - 8 UNI 7435
- 23 302914100 - 22 UNI 7437

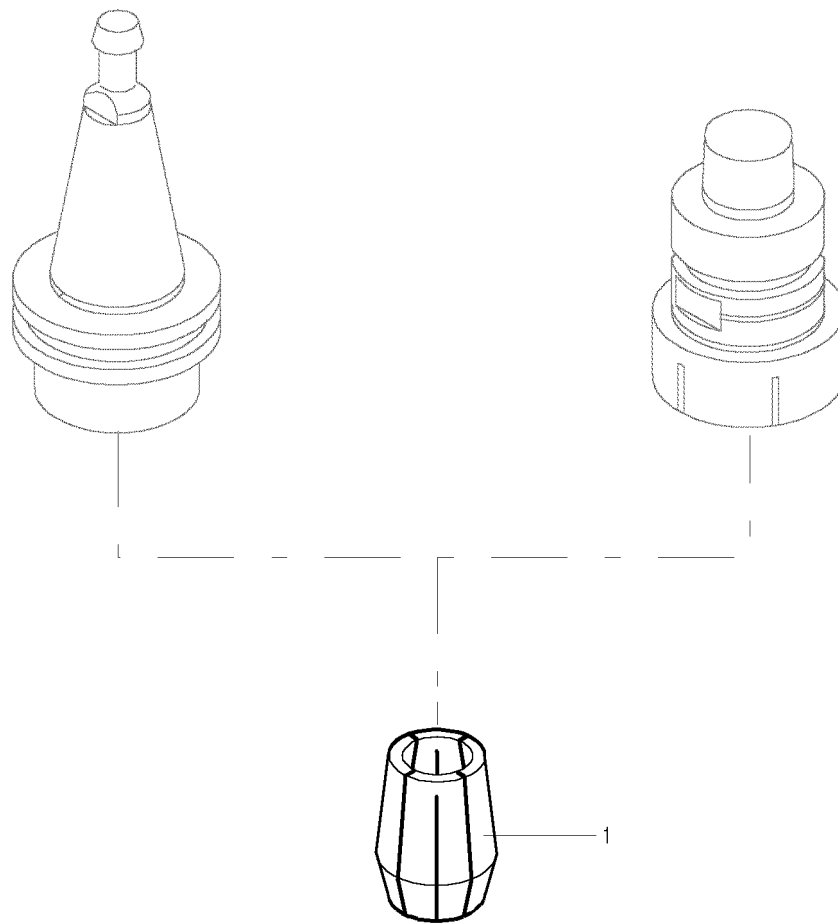


C0262A07 - AGGREGATE - ISO 30 - 23449\_ALL - ROVER S 15-02-2008

| POSITION | DRAWING/COMPONENT | DESCRIPTION             |
|----------|-------------------|-------------------------|
| 1        | 000104346         | GEAR D=24,738 H=9       |
| 1        | 000104344         | GEAR D=23               |
| 1        | 000104347         | GEAR D=25 H=9           |
| 2        | 112001000         | DOWEL                   |
| 3        | 0801A0265         | FLANGE                  |
| 4        | 0804A0013         | TIE ROD ISO 30          |
| 5        | 080749000         | SPINDLE LH              |
| 6        | 0807A0132         | SPINDLE HSK             |
| 7        | 0807A0130         | SHAFT                   |
| 8        | 081718600         | BUSHING HSK             |
| 9        | 082001101         | DOWEL 8X28              |
| 10       | 0820A0049         | PIN ISO 30              |
| 11       | 082128400         | GEAR DP=23,846          |
| 11       | 082125400         | GEAR D=27,5             |
| 11       | 082126100         | GEAR D=36               |
| 12       | 0908A0007         | COVER 45X9,5            |
| 12       | 0908A0018         | COVER 52X5,5            |
| 12       | 0908A0009         | COVER 48X6              |
| 13       | 1612A0120         | BOX D=45X9,5            |
| 13       | 1612A0141         | BOX D=48X6              |
| 13       | 1612A0143         | BOX 52X5,5              |
| 14       | 260500700         | GREASING NIPPLE         |
| 15       | 280106700         | SPRING                  |
| 16       | 290100100         | BEARING 608-2RS RIV-SKF |
| 17       | 290106800         | BEARING 61900-2RS1      |
| 17       | 290101700         | BEARING 6000-2RSH       |
| 18       | 290304600         | BEARING                 |
| 19       | 301700400         | RING NUT M15X1          |
| 20       | 080666000         | SPACER                  |

C0262A07 - AGGREGATE - ISO 30 - 23449\_ALL - ROVER S 15-02-2008

| POSITION | DRAWING/COMPONENT | DESCRIPTION           |
|----------|-------------------|-----------------------|
| 21       | 302508000         | FEATHER 3X3X6         |
| 21       | 302508500         | TONGUE 3X3X15         |
| 22       | 302900500         | SNAP RING 8 UNI 7435  |
| 23       | 302914100         | SNAP RING 22 UNI 7437 |



- 1 3407C0011 - D=12-11 ERC..
- 1 340707300 - D=4-5 ERC 3..
- 1 340708300 - D=17-18 ERC..
- 1 340706100 - D=7-8 ERC 3..
- 1 340706300 - D=12-13 ERC..
- 1 3407A0204 - D=7 EX 16
- 1 340706600 - D=17-18 ERC..
- 1 3407A0154 - D=8 EX 16
- 1 3407A0205 - D=9 EX 16
- 1 340707600 - D=9-10 ERC ..
- 1 340707800 - D=6-7 ERC 4..
- 1 340708200 - D=15-16 ERC..
- 1 3407A0149 - D=2 EX 16
- 1 3407A0203 - D=1 EX 16
- 1 3407A0153 - D=5 EX 16
- 1 3407A0201 - D=4 EX 16
- 1 340707200 - D=24-25 ERC..
- 1 3407A0152 - D=3 EX 16
- 1 3407A0202 - D=6 EX 16
- 1 340707900 - D=7-8 ERC 4..
- 1 340708000 - D=12-13 ERC..
- 1 340706000 - D=6-7 ERC 3..
- 1 340707400 - D=21-22 ERC..
- 1 340707700 - D=4-5 ERC 4..
- 1 3407C0022 - D=12 ER 40
- 1 3407A0070 - D=23-24 ERC..
- 1 340706200 - D=9-10 ERC ..
- 1 340706700 - D=19-20 ERC..
- 1 340708100 - D=13-14 ERC..
- 1 340707500 - D=19-20 ERC..
- 1 340706500 - D=15-16 ERC..
- 1 3407A0151 - D=10 EX 16
- 1 340706400 - D=13-14 ERC..

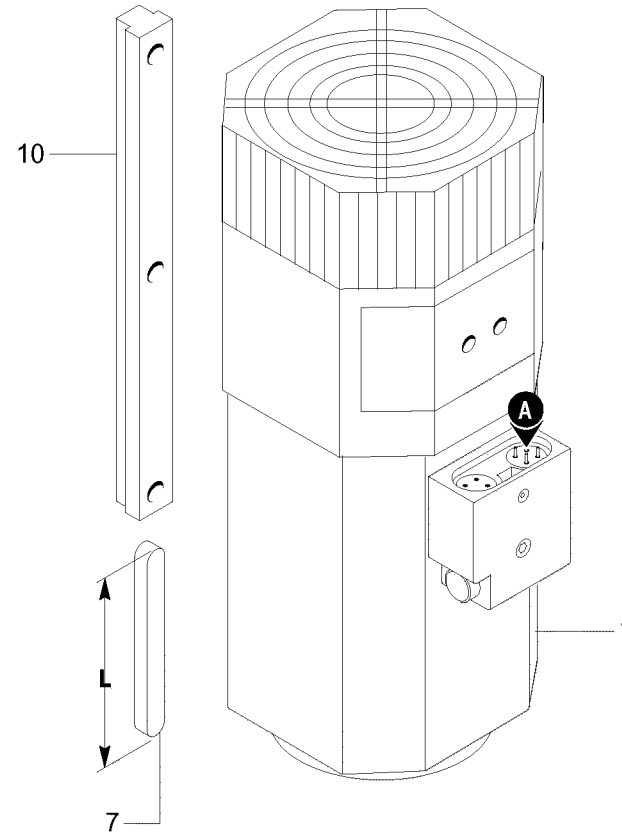
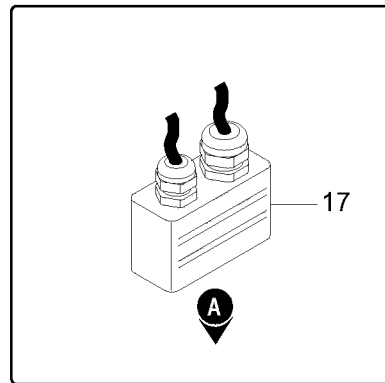
## C0270A01 - ELASTIC COLLET - 23449\_ALL - ROVER S 15-02-2008

| POSITION | DRAWING/COMPONENT | DESCRIPTION                   |
|----------|-------------------|-------------------------------|
| 1        | 3407C0011         | COLLET D=12-11 ERC 32         |
| 1        | 340707300         | ELASTIC COLLET D=4-5 ERC 32   |
| 1        | 340708300         | ELASTIC COLLET D=17-18 ERC 40 |
| 1        | 340706100         | ELASTIC COLLET D=7-8 ERC 32   |
| 1        | 340706300         | ELASTIC COLLET D=12-13 ERC 32 |
| 1        | 3407A0204         | ELASTIC COLLET D=7 EX 16      |
| 1        | 340706600         | ELASTIC COLLET D=17-18 ERC 32 |
| 1        | 3407A0154         | ELASTIC COLLET D=8 EX 16      |
| 1        | 3407A0205         | ELASTIC COLLET D=9 EX 16      |
| 1        | 340707600         | ELASTIC COLLET D=9-10 ERC 40  |
| 1        | 340707800         | ELASTIC COLLET D=6-7 ERC 40   |
| 1        | 340708200         | ELASTIC COLLET D=15-16 ERC 40 |
| 1        | 3407A0149         | ELASTIC COLLET D=2 EX 16      |
| 1        | 3407A0203         | ELASTIC COLLET D=1 EX 16      |
| 1        | 3407A0153         | ELASTIC COLLET D=5 EX 16      |
| 1        | 3407A0201         | ELASTIC COLLET D=4 EX 16      |
| 1        | 340707200         | ELASTIC COLLET D=24-25 ERC 40 |
| 1        | 3407A0152         | ELASTIC COLLET D=3 EX 16      |
| 1        | 3407A0202         | ELASTIC COLLET D=6 EX 16      |
| 1        | 340707900         | ELASTIC COLLET D=7-8 ERC 40   |
| 1        | 340708000         | ELASTIC COLLET D=12-13 ERC 40 |
| 1        | 340706000         | ELASTIC COLLET D=6-7 ERC 32   |
| 1        | 340707400         | ELASTIC COLLET D=21-22 ERC 40 |
| 1        | 340707700         | ELASTIC COLLET D=4-5 ERC 40   |
| 1        | 3407C0022         | COLLET D=12 ER 40             |
| 1        | 3407A0070         | ELASTIC COLLET D=23-24 ERC 40 |
| 1        | 340706200         | ELASTIC COLLET D=9-10 ERC 32  |
| 1        | 340706700         | ELASTIC COLLET D=19-20 ERC 32 |
| 1        | 340708100         | ELASTIC COLLET D=13-14 ERC 40 |

C0270A01 - ELASTIC COLLET - 23449\_ALL - ROVER S 15-02-2008

| POSITION | DRAWING/COMPONENT | DESCRIPTION                   |
|----------|-------------------|-------------------------------|
| 1        | 340707500         | ELASTIC COLLET D=19-20 ERC 40 |
| 1        | 340706500         | ELASTIC COLLET D=15-16 ERC 32 |
| 1        | 3407A0151         | ELASTIC COLLET D=10 EX 16     |
| 1        | 340706400         | ELASTIC COLLET D=13-14 ERC 32 |

- 1 C0554A02
- 1 6410A0303 - 12,0 KW HSK
- 1 6410A0305 - 12,0 KW ISO..
- 17 M0131A00

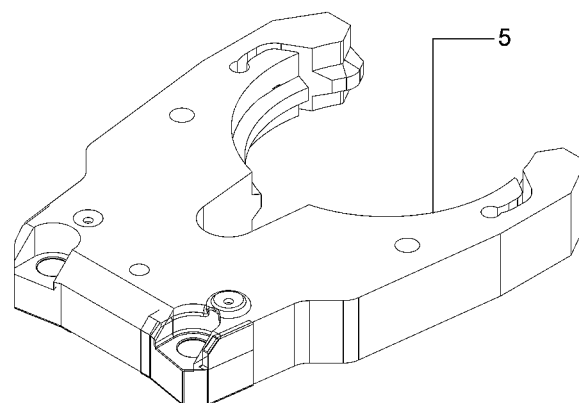


C0491A04 - ELECTROSPINDLE - 23449\_ALL - ROVER S 15-02-2008

| POSITION | DRAWING/COMPONENT | DESCRIPTION                   |
|----------|-------------------|-------------------------------|
| 1        | C0554A02          | ELECTROSPINDLE                |
| 1        | 6410A0303         | ELECTROSPINDLE 12,0 KW HSK    |
| 1        | 6410A0305         | ELECTROSPINDLE 12,0 KW ISO 30 |
| 17       | M0131A00          | CONNECTOR                     |

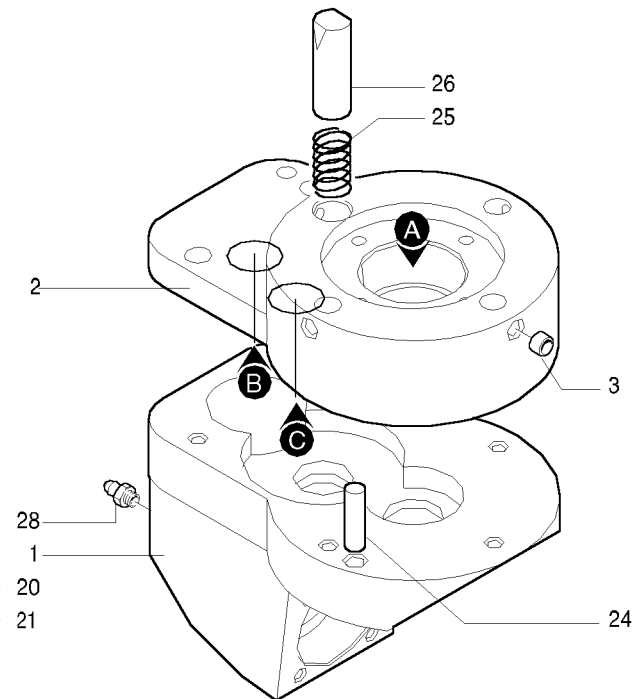
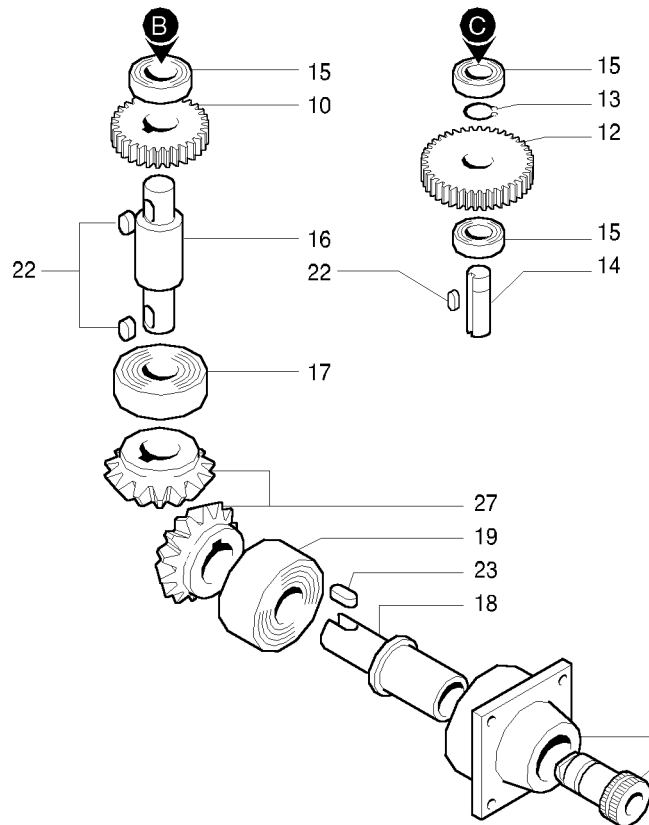
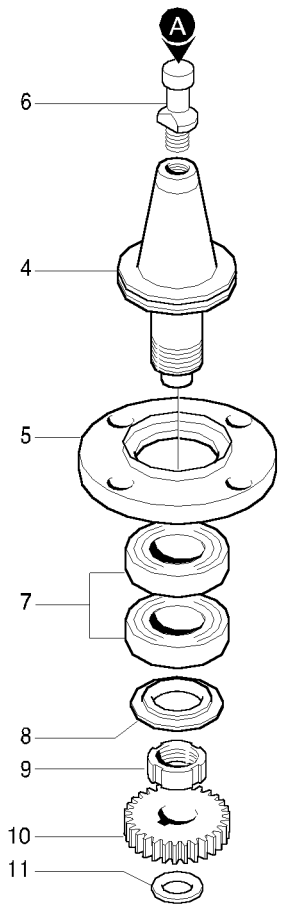


5 1705A0123 - HSK F63  
5 1705A0124 - ISO 30



C0518A01 - TOOL HOLDER - 23449\_ALL - ROVER S 15-02-2008

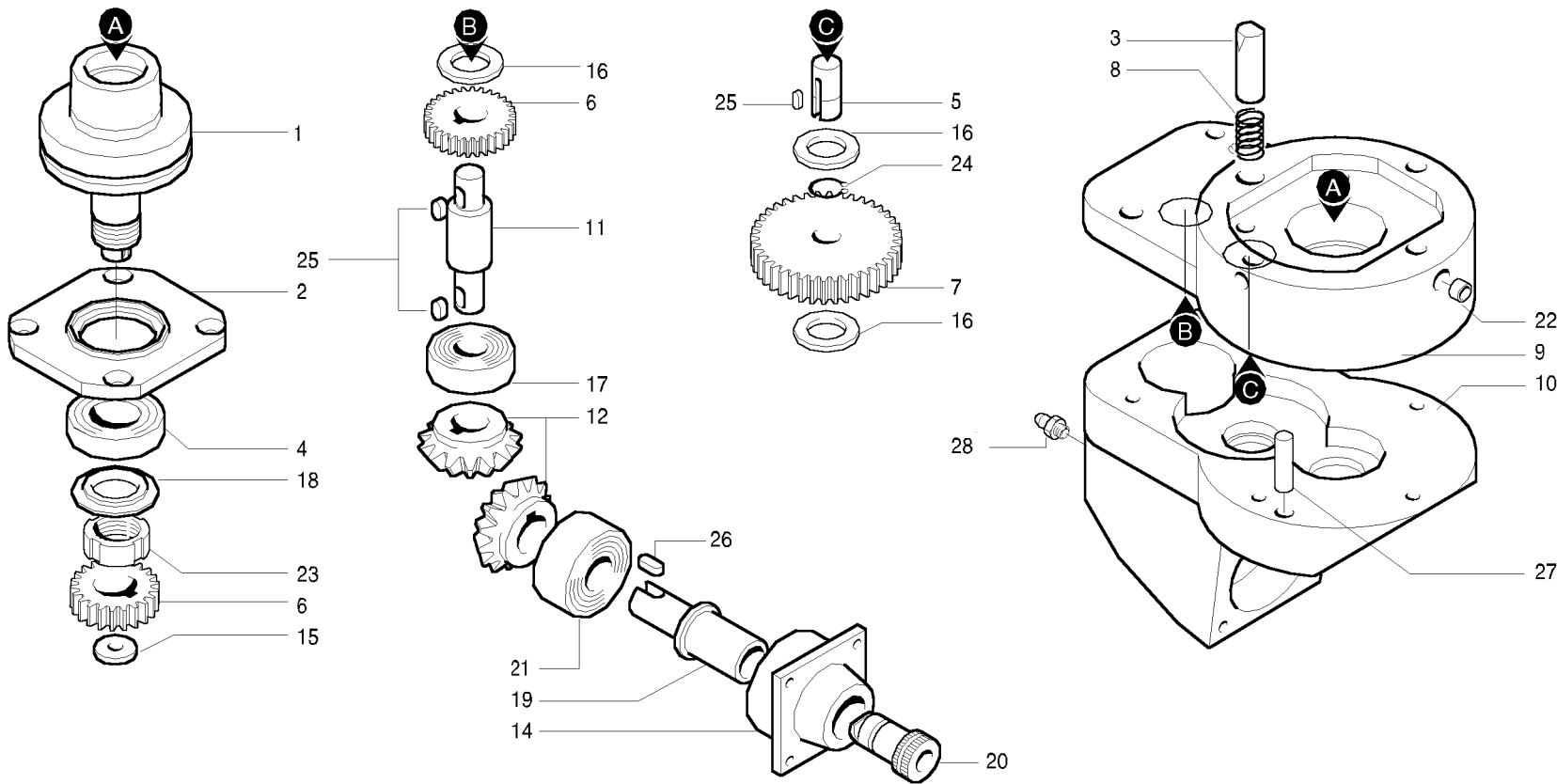
| POSITION | DRAWING/COMPONENT | DESCRIPTION         |
|----------|-------------------|---------------------|
| 5        | 1705A0123         | TOOL HOLDER HSK F63 |
| 5        | 1705A0124         | TOOL HOLDER ISO 30  |



- 1 0905A0552
- 2 1608A0023
- 3 081718600 - HSK
- 4 0807A0177
- 5 0801A0154
- 6 0804A0013 - ISO 30
- 7 290304800 - 20-42-12
- 8 0801A0110
- 9 301700200 - M20X1
- 10 082100202
- 11 0804A0068
- 12 000101463
- 13 302900900
- 14 0820A0133
- 15 290107700
- 16 0807A0178
- 17 2901A0010
- 18 000109010
- 19 290401800
- 20 000109009
- 21 081704702 - SX
- 22 302510900 - 4X4X8
- 23 302514000 - 5X5X10
- 24 082001101 - 8X28
- 25 280106700
- 26 0820A0050
- 27 1621A0028
- 28 260500700

C0528A00 - AGGREGATE - ISO 30 - 23449\_ALL - ROVER S 15-02-2008

| POSITION | DRAWING/COMPONENT | DESCRIPTION      |
|----------|-------------------|------------------|
| 1        | 0905A0552         | SUPPORT          |
| 2        | 1608A0023         | COVER            |
| 3        | 081718600         | BUSHING HSK      |
| 4        | 0807A0177         | SHAFT            |
| 5        | 0801A0154         | FLANGE           |
| 6        | 0804A0013         | TIE ROD ISO 30   |
| 7        | 290304800         | BEARING 20-42-12 |
| 8        | 0801A0110         | FLANGE           |
| 9        | 301700200         | RING NUT M20X1   |
| 10       | 082100202         | GEAR             |
| 11       | 0804A0068         | WASHER           |
| 12       | 000101463         | GEAR             |
| 13       | 302900900         | RING             |
| 14       | 0820A0133         | PIN              |
| 15       | 290107700         | BEARING          |
| 16       | 0807A0178         | SHAFT            |
| 17       | 2901A0010         | BEARING          |
| 18       | 000109010         | SPINDLE          |
| 19       | 290401800         | BEARING          |
| 20       | 000109009         | FLANGE           |
| 21       | 081704702         | BUSH SX          |
| 22       | 302510900         | TONGUE 4X4X8     |
| 23       | 302514000         | TONGUE 5X5X10    |
| 24       | 082001101         | DOWEL 8X28       |
| 25       | 280106700         | SPRING           |
| 26       | 0820A0050         | DOWEL            |
| 27       | 1621A0028         | GEAR WHEEL       |
| 28       | 260500700         | GREASING NIPPLE  |

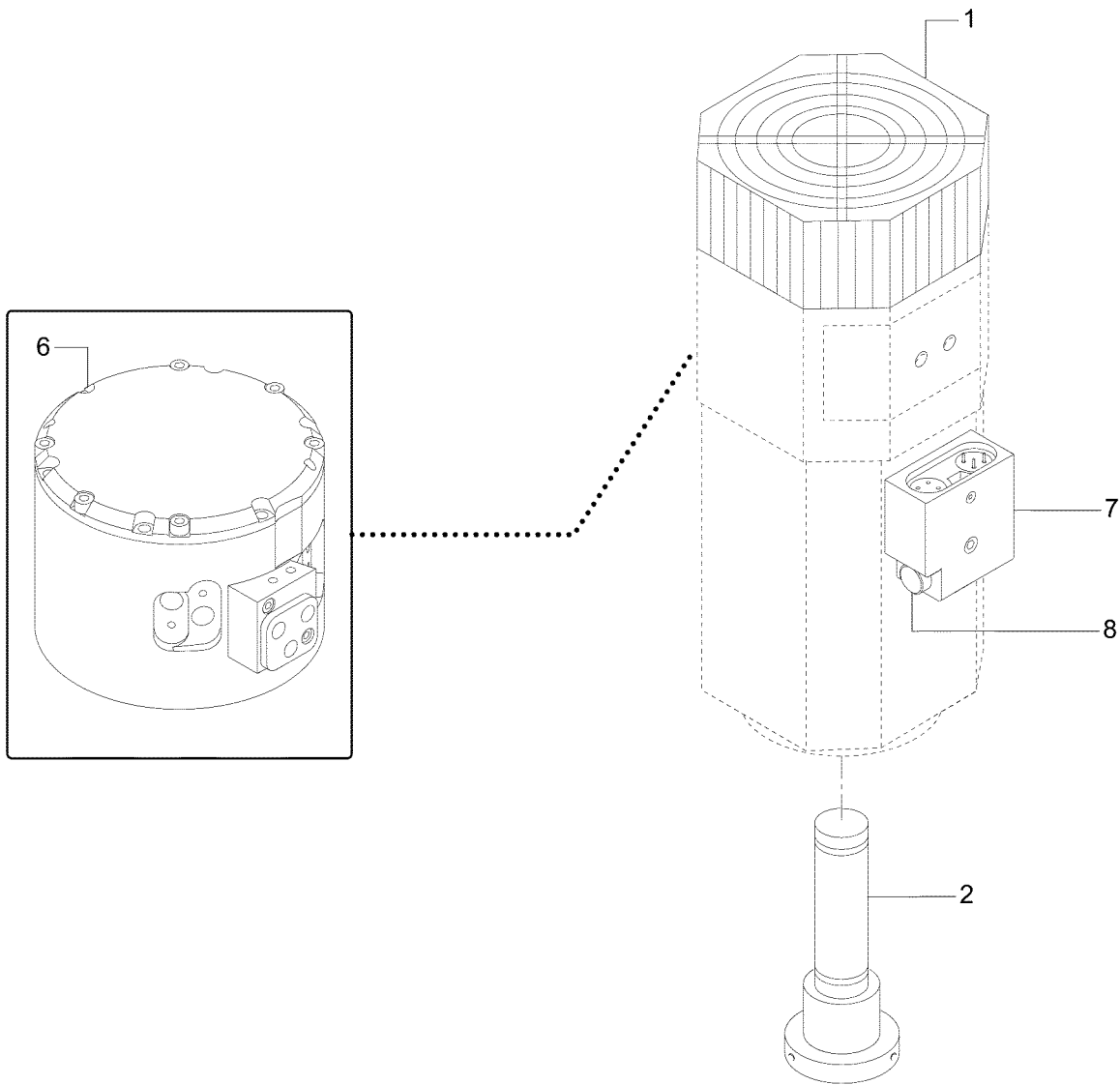


- 1 0807A0213
- 2 0801A0154
- 3 0820A0050
- 4 290304800 - 20-42-12
- 5 0820A0133
- 6 082100202
- 7 000101463
- 8 280106700
- 9 1608A0023
- 10 0905A0552
- 11 0807A0178
- 12 1621A0028
- 14 000109009
- 15 0804A0068
- 16 290107700
- 17 2901A0010
- 18 0801A0110
- 19 000109010
- 20 081704702 - SX
- 21 290401800
- 22 081718600 - HSK
- 23 301700200 - M20X1
- 24 302900900
- 25 302510900 - 4X4X8
- 26 302514000 - 5X5X10
- 27 082001101 - 8X28
- 28 260500700

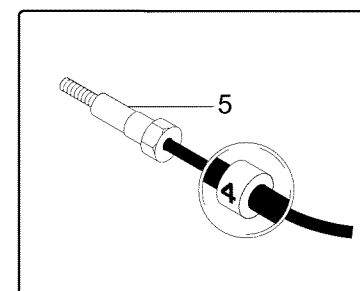
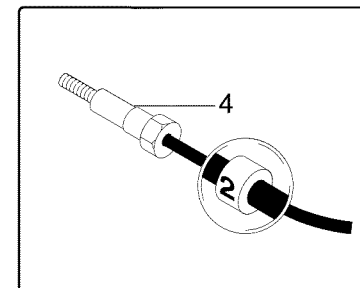
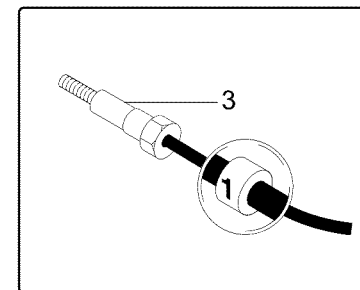


C0529A00 - AGGREGATE - HSK F63 - 23449\_ALL - ROVER S 15-02-2008

| POSITION | DRAWING/COMPONENT | DESCRIPTION      |
|----------|-------------------|------------------|
| 1        | 0807A0213         | SHAFT            |
| 2        | 0801A0154         | FLANGE           |
| 3        | 0820A0050         | DOWEL            |
| 4        | 290304800         | BEARING 20-42-12 |
| 5        | 0820A0133         | PIN              |
| 6        | 082100202         | GEAR             |
| 7        | 000101463         | GEAR             |
| 8        | 280106700         | SPRING           |
| 9        | 1608A0023         | COVER            |
| 10       | 0905A0552         | SUPPORT          |
| 11       | 0807A0178         | SHAFT            |
| 12       | 1621A0028         | GEAR WHEEL       |
| 14       | 000109009         | FLANGE           |
| 15       | 0804A0068         | WASHER           |
| 16       | 290107700         | BEARING          |
| 17       | 2901A0010         | BEARING          |
| 18       | 0801A0110         | FLANGE           |
| 19       | 000109010         | SPINDLE          |
| 20       | 081704702         | BUSH SX          |
| 21       | 290401800         | BEARING          |
| 22       | 081718600         | BUSHING HSK      |
| 23       | 301700200         | RING NUT M20X1   |
| 24       | 302900900         | RING             |
| 25       | 302510900         | TONGUE 4X4X8     |
| 26       | 302514000         | TONGUE 5X5X10    |
| 27       | 082001101         | DOWEL 8X28       |
| 28       | 260500700         | GREASING NIPPLE  |



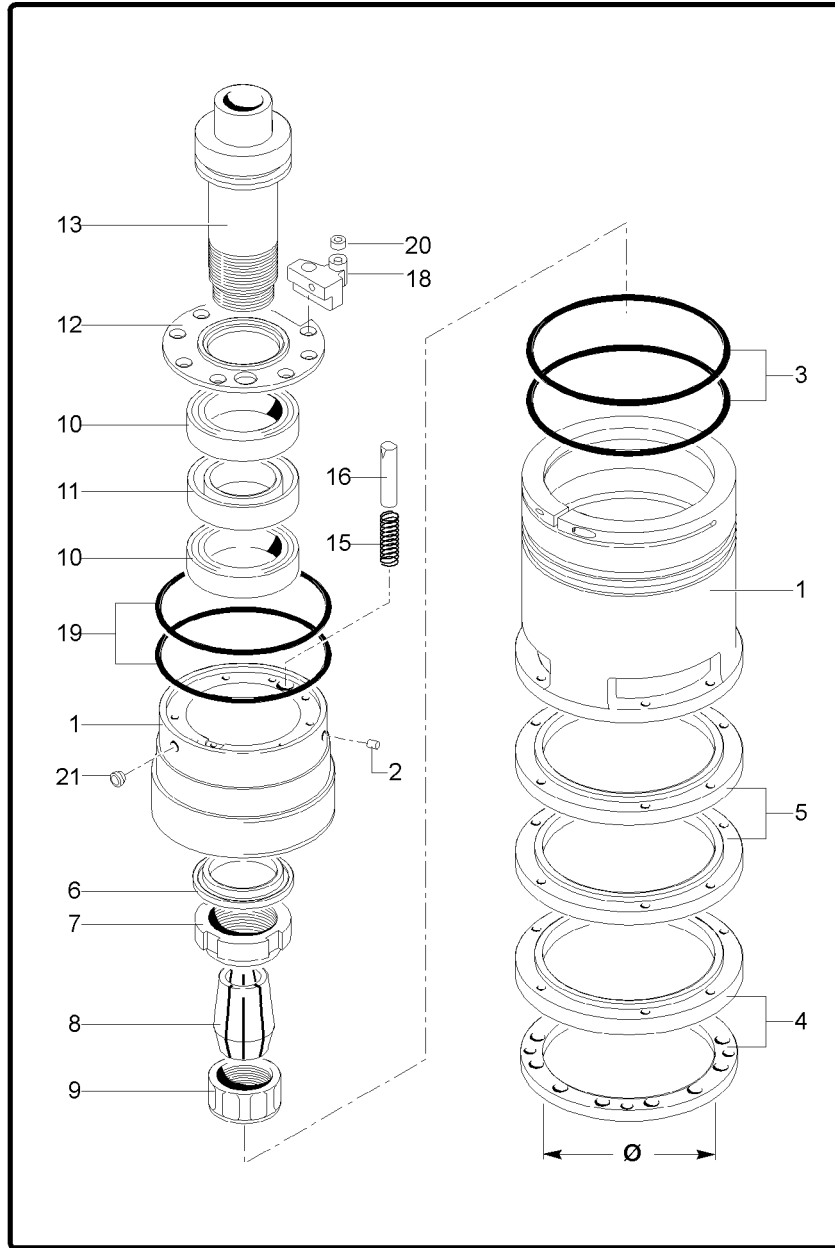
- 1 750123238 - 9-10,5 HP
- 2 6423A0031 - ES929 ISO
- 2 6423A0030 - ES919 HSK
- 3 750123234 - 9-10.5 HP
- 4 750123235 - 9-10.5 HP
- 5 2164A0152 - 10.5 HSK
- 6 6430A0034 - ES919 ISO
- 6 6430A0042 - ES919 HSK

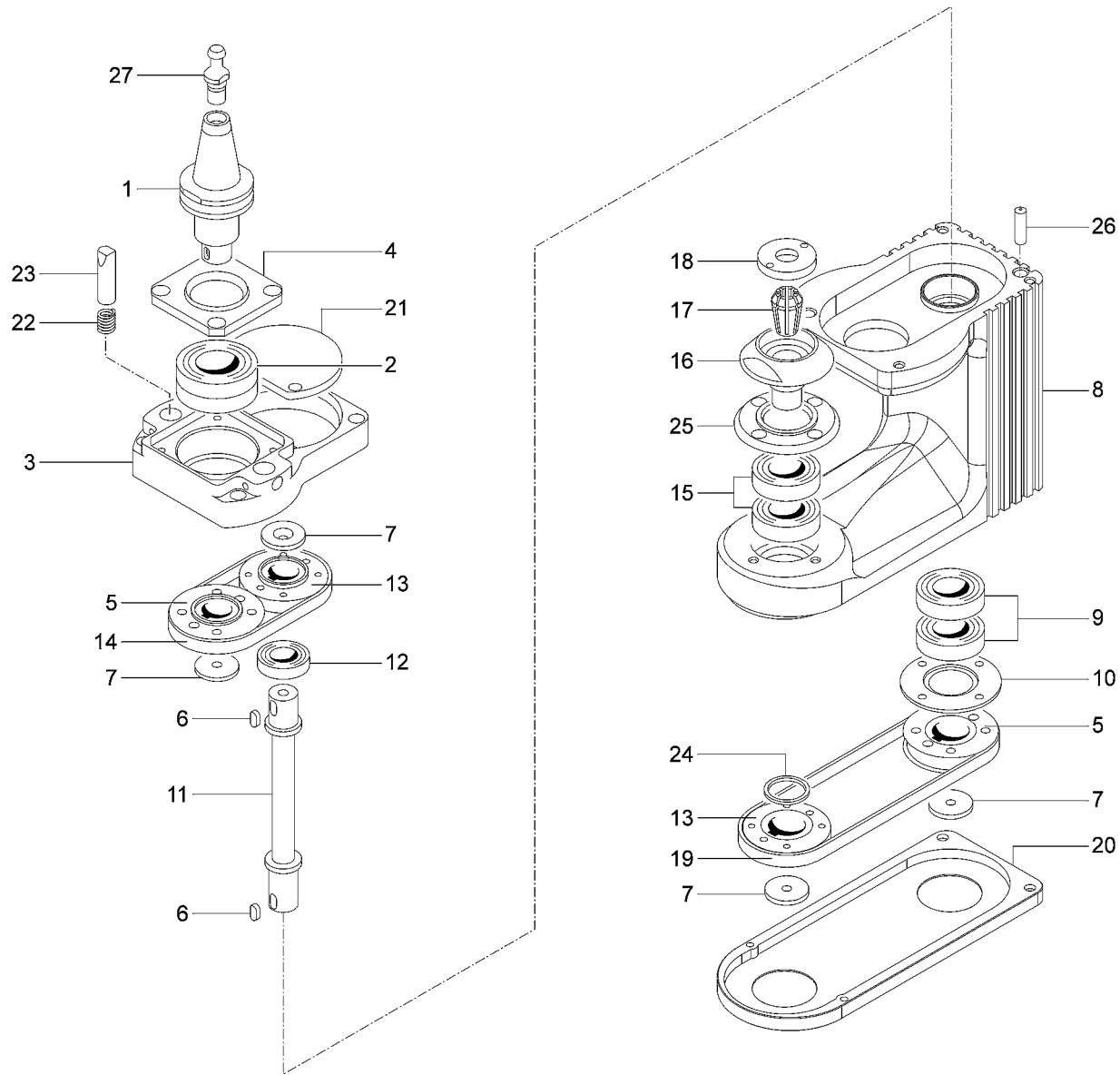


C0554A02 - ELECTROSPINDLE - 23449\_ALL - ROVER S 15-02-2008

| POSITION | DRAWING/COMPONENT | DESCRIPTION        |
|----------|-------------------|--------------------|
| 1        | 750123238         | FAN 9-10,5 HP      |
| 2        | 6423A0031         | ROTOR ES929 ISO    |
| 2        | 6423A0030         | ROTOR ES919 HSK    |
| 3        | 750123234         | SENSOR 9-10.5 HP   |
| 4        | 750123235         | SENSOR 9-10.5 HP   |
| 5        | 2164A0152         | SENSOR 10.5 HSK    |
| 6        | 6430A0034         | CYLINDER ES919 ISO |
| 6        | 6430A0042         | CYLINDER ES919 HSK |



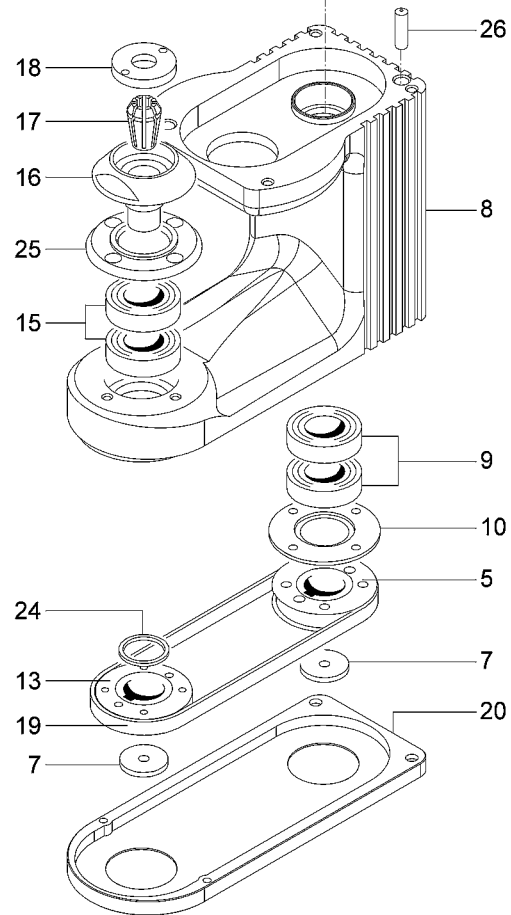
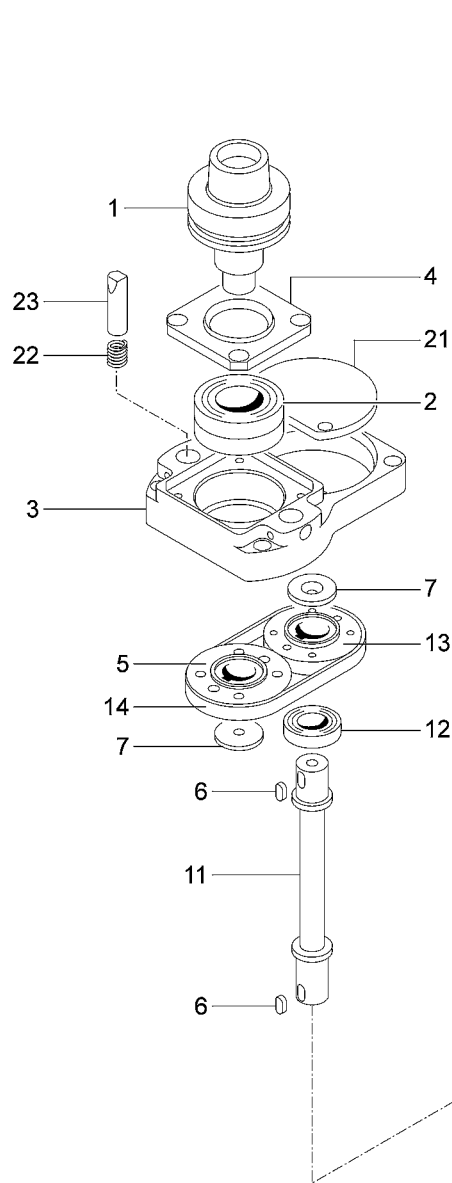




- 1 0807A0321 - ISO 30
- 2 2903A0005 - 30-55-13
- 3 1608A0057
- 4 0801A0260
- 5 1722A0049
- 6 302517000
- 7 080482500 - D.30X6.5X4
- 8 0912A0282
- 9 2903A0011
- 10 0801A0314
- 11 0807A0452
- 12 2901A0009
- 13 0922A0144
- 14 2701A0221
- 15 2903A0021
- 16 0807A0347
- 17 3407A0004 - D=10 ERC20
- 18 0804A0213
- 19 2701A0222
- 20 0908A0370
- 21 0901A0169
- 22 280106700
- 23 0820A0050
- 24 0806A0364 - H=2,5
- 25 0801A0287
- 26 082001101 - 8X28
- 27 0804A0013 - ISO 30

## C0585A01 - AGGREGATE - ISO 30 - 23449\_ALL - ROVER S 15-02-2008

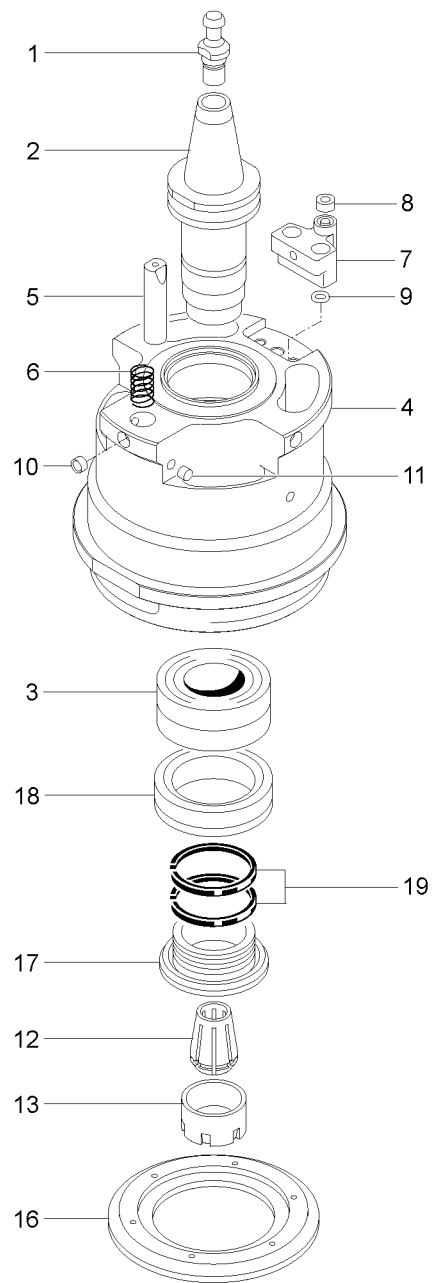
| POSITION | DRAWING/COMPONENT | DESCRIPTION               |
|----------|-------------------|---------------------------|
| 1        | 0807A0321         | SHAFT ISO 30              |
| 2        | 2903A0005         | BEARING 30-55-13          |
| 3        | 1608A0057         | COVER                     |
| 4        | 0801A0260         | FLANGE                    |
| 5        | 1722A0049         | PULLEY                    |
| 6        | 302517000         | FEATHER                   |
| 7        | 080482500         | WASHER D.30X6.5X4         |
| 8        | 0912A0282         | BOX                       |
| 9        | 2903A0011         | BEARING                   |
| 10       | 0801A0314         | FLANGE                    |
| 11       | 0807A0452         | SHAFT                     |
| 12       | 2901A0009         | BEARING                   |
| 13       | 0922A0144         | PULLEY                    |
| 14       | 2701A0221         | BELT                      |
| 15       | 2903A0021         | BEARING                   |
| 16       | 0807A0347         | SHAFT                     |
| 17       | 3407A0004         | ELASTIC COLLET D=10 ERC20 |
| 18       | 0804A0213         | RING NUT                  |
| 19       | 2701A0222         | BELT                      |
| 20       | 0908A0370         | COVER                     |
| 21       | 0901A0169         | FLANGE                    |
| 22       | 280106700         | SPRING                    |
| 23       | 0820A0050         | DOWEL                     |
| 24       | 0806A0364         | SPACER H=2,5              |
| 25       | 0801A0287         | FLANGE                    |
| 26       | 082001101         | DOWEL 8X28                |
| 27       | 0804A0013         | TIE ROD ISO 30            |

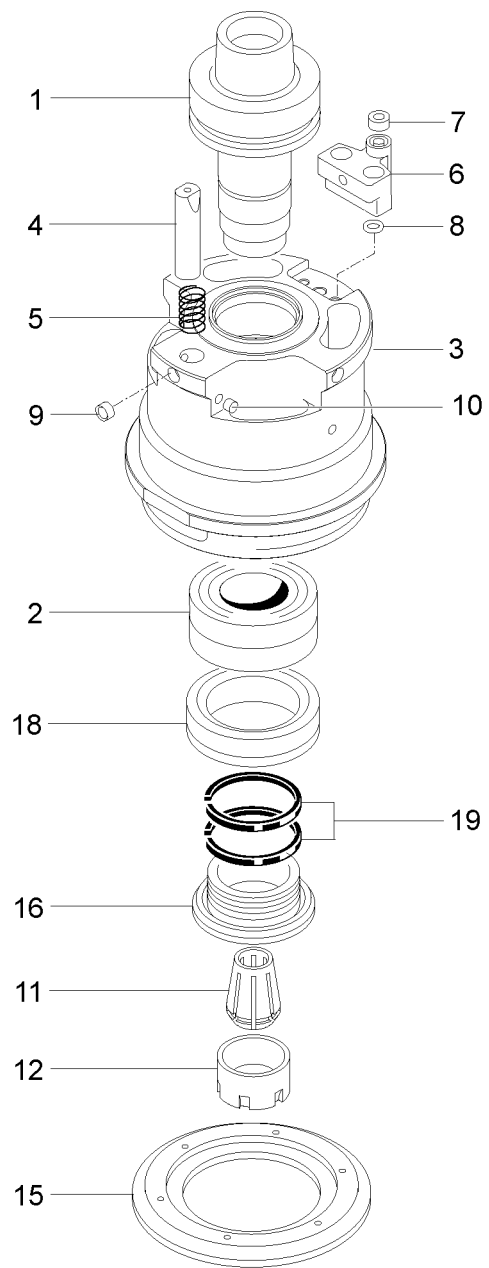


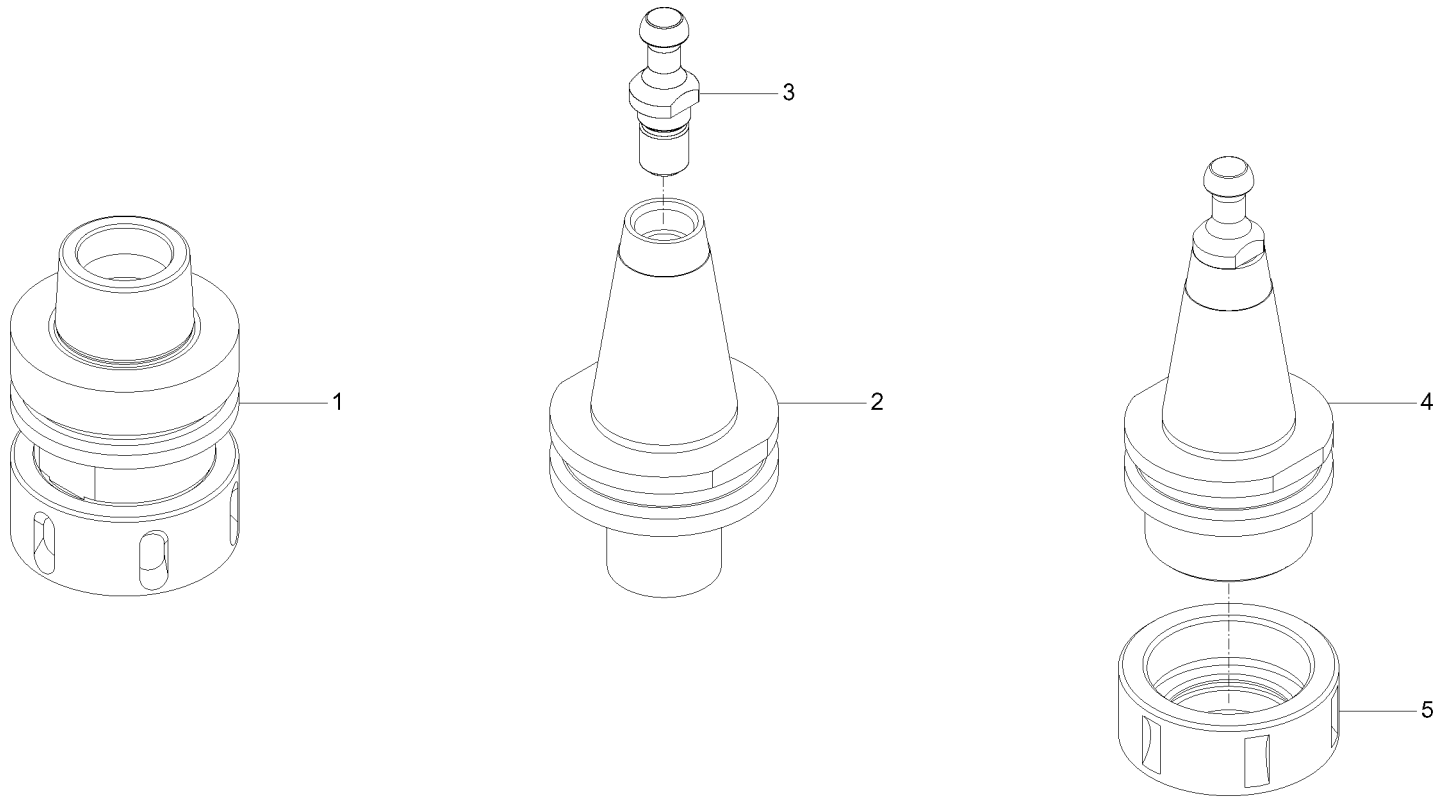
|    |                        |
|----|------------------------|
| 1  | 0807A0346 - HSK F63    |
| 2  | 2903A0005 - 30-55-13   |
| 3  | 1608A0057              |
| 4  | 0801A0260              |
| 5  | 1722A0049              |
| 6  | 302517000              |
| 7  | 080482500 - D.30X6.5X4 |
| 8  | 0912A0282              |
| 9  | 2903A0011              |
| 10 | 0801A0314              |
| 11 | 0807A0452              |
| 12 | 2901A0009              |
| 13 | 0922A0144              |
| 14 | 2701A0221              |
| 15 | 2903A0021              |
| 16 | 0807A0347              |
| 17 | 3407A0004 - D=10 ERC20 |
| 18 | 0804A0213              |
| 19 | 2701A0222              |
| 20 | 0908A0370              |
| 21 | 0901A0169              |
| 22 | 280106700              |
| 23 | 0820A0050              |
| 24 | 0806A0364 - H=2,5      |
| 25 | 0801A0287              |
| 26 | 082001101 - 8X28       |

C0586A01 - AGGREGATE - HSK F63 - 23449\_ALL - ROVER S 15-02-2008

| POSITION | DRAWING/COMPONENT | DESCRIPTION               |
|----------|-------------------|---------------------------|
| 1        | 0807A0346         | SHAFT HSK F63             |
| 2        | 2903A0005         | BEARING 30-55-13          |
| 3        | 1608A0057         | COVER                     |
| 4        | 0801A0260         | FLANGE                    |
| 5        | 1722A0049         | PULLEY                    |
| 6        | 302517000         | FEATHER                   |
| 7        | 080482500         | WASHER D.30X6.5X4         |
| 8        | 0912A0282         | BOX                       |
| 9        | 2903A0011         | BEARING                   |
| 10       | 0801A0314         | FLANGE                    |
| 11       | 0807A0452         | SHAFT                     |
| 12       | 2901A0009         | BEARING                   |
| 13       | 0922A0144         | PULLEY                    |
| 14       | 2701A0221         | BELT                      |
| 15       | 2903A0021         | BEARING                   |
| 16       | 0807A0347         | SHAFT                     |
| 17       | 3407A0004         | ELASTIC COLLET D=10 ERC20 |
| 18       | 0804A0213         | RING NUT                  |
| 19       | 2701A0222         | BELT                      |
| 20       | 0908A0370         | COVER                     |
| 21       | 0901A0169         | FLANGE                    |
| 22       | 280106700         | SPRING                    |
| 23       | 0820A0050         | DOWEL                     |
| 24       | 0806A0364         | SPACER H=2,5              |
| 25       | 0801A0287         | FLANGE                    |
| 26       | 082001101         | DOWEL 8X28                |





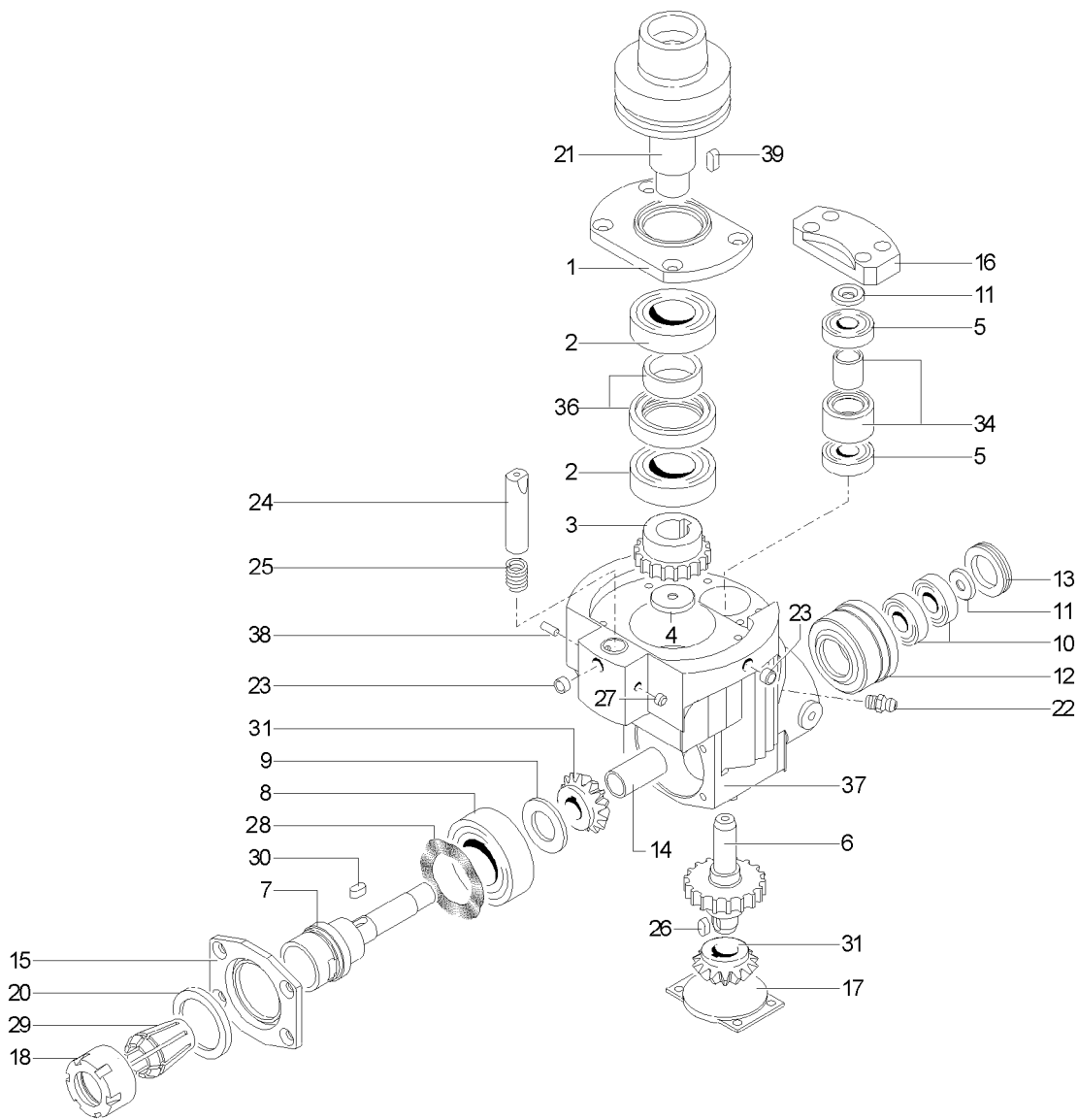


- 1 1707A0023 - HSK F63 DX
- 1 1707A0024 - HSK F63 SX
- 2 1707A0031 - ISO 30 DX
- 2 1707A0029 - ISO 30 SX
- 3 0804A0013 - ISO 30
- 4 1707A0005 - ISO 30 RH
- 4 1707A0002 - ISO 30 LH
- 4 1707A0004 - ISO 30 LH
- 4 1707A0003 - ISO 30 RH
- 5 340707100 - M50X1,5-G40..
- 5 340705902 - M40X1,5-ERC..
- 5 340705802 - M40x1,5-DX
- 5 340707000 - M50X1,5-G40..



## C0597A02 - COLLET SPINDLE - 23449\_ALL - ROVER S 15-02-2008

| POSITION | DRAWING/COMPONENT | DESCRIPTION                     |
|----------|-------------------|---------------------------------|
| 1        | 1707A0023         | SPINDLE HSK F63 DX              |
| 1        | 1707A0024         | SPINDLE HSK F63 SX              |
| 2        | 1707A0031         | SPINDLE ISO 30 DX               |
| 2        | 1707A0029         | SPINDLE ISO 30 SX               |
| 3        | 0804A0013         | TIE ROD ISO 30                  |
| 4        | 1707A0005         | SPINDLE ISO 30 RH               |
| 4        | 1707A0002         | SPINDLE ISO 30 LH               |
| 4        | 1707A0004         | SPINDLE ISO 30 LH               |
| 4        | 1707A0003         | SPINDLE ISO 30 RH               |
| 5        | 340707100         | RING NUT M50X1,5-G40S-ERC 40-SX |
| 5        | 340705902         | RING NUT M40X1.5-ERC 32-SX      |
| 5        | 340705802         | RING NUT M40X1.5-DX             |
| 5        | 340707000         | RING NUT M50X1,5-G40S-ERC 40-DX |



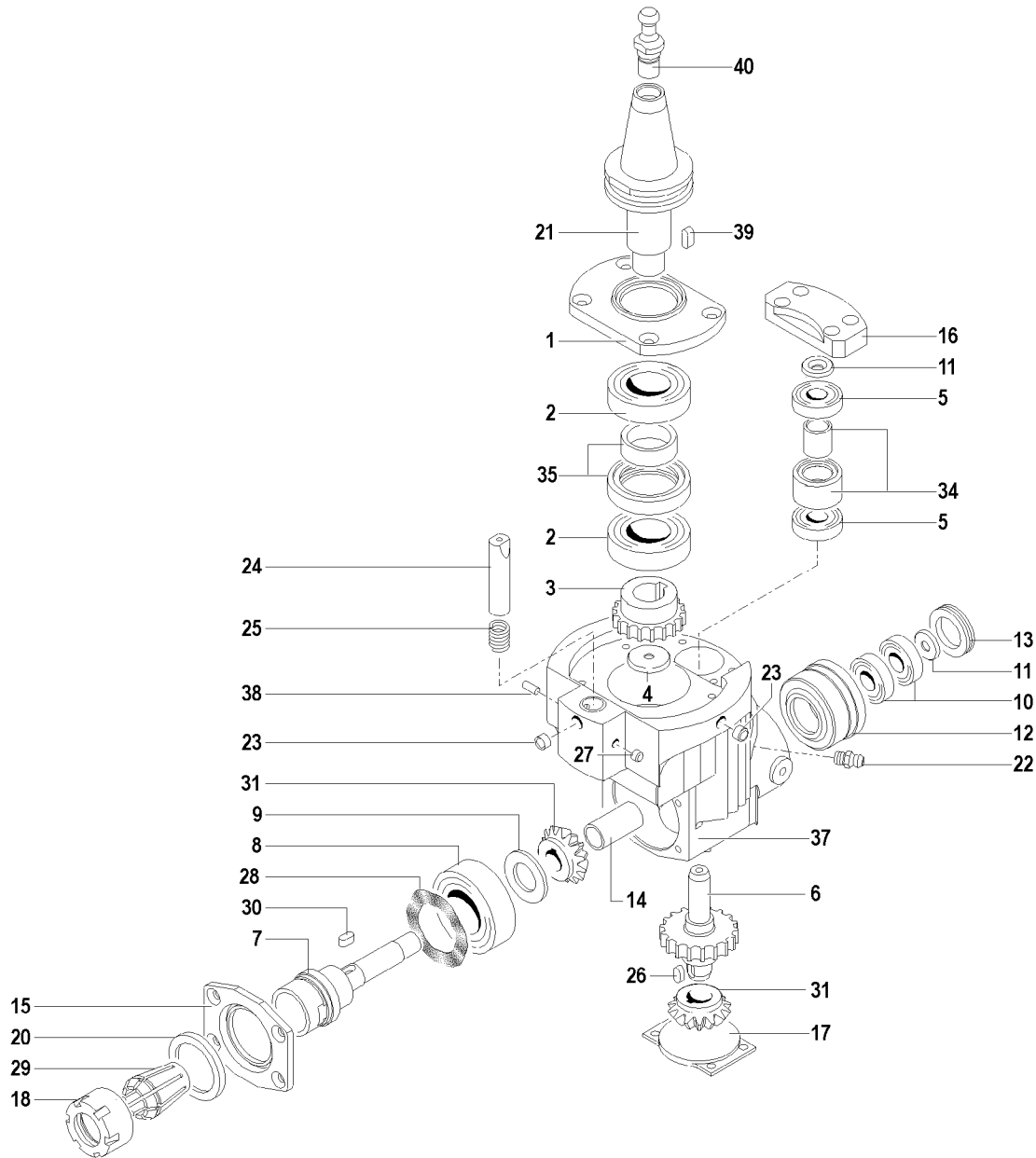
|    |                     |
|----|---------------------|
| 1  | 0801A0295           |
| 2  | 290304100           |
| 3  | 0821A0169           |
| 4  | 0804A0258           |
| 5  | 290304900 - 12-28-8 |
| 6  | 0821A0206           |
| 7  | 0807A0395           |
| 8  | 2903A0023           |
| 9  | 0806A0438           |
| 10 | 290304900 - 12-28-8 |
| 11 | 0804A0068           |
| 12 | 0817A0165           |
| 13 | 0817A0164           |
| 14 | 0806A0434           |
| 15 | 0908A0358           |
| 16 | 0801A0296           |
| 17 | 0908A0357           |
| 18 | 340702000 - M30 DX  |
| 20 | 0801A0335           |
| 21 | 0807A0400           |
| 22 | 260500700           |
| 23 | 081718600 - HSK     |
| 24 | 0820A0049 - ISO 30  |
| 25 | 280106700           |
| 26 | 080487200 - 5X4X10  |
| 27 | 1102A0001           |
| 28 | 2807A0009           |
| 29 | 340702200           |
| 30 | 302514000 - 5X5X10  |
| 31 | 1621A0156           |
| 34 | 1606A0049           |
| 36 | 1606A0048           |
| 37 | 1605A0083           |
| 38 | 112001000           |
| 39 | 302517100           |

C0599A00 - AGGREGATE - HSK F63 - 23449\_ALL - ROVER S 15-02-2008

| POSITION | DRAWING/COMPONENT | DESCRIPTION     |
|----------|-------------------|-----------------|
| 1        | 0801A0295         | FLANGE          |
| 2        | 290304100         | BEARING         |
| 3        | 0821A0169         | GEAR            |
| 4        | 0804A0258         | WASHER          |
| 5        | 290304900         | BEARING 12-28-8 |
| 6        | 0821A0206         | GEAR            |
| 7        | 0807A0395         | SHAFT           |
| 8        | 2903A0023         | BEARING         |
| 9        | 0806A0438         | SPACER          |
| 10       | 290304900         | BEARING 12-28-8 |
| 11       | 0804A0068         | WASHER          |
| 12       | 0817A0165         | BUSH            |
| 13       | 0817A0164         | BUSH            |
| 14       | 0806A0434         | SPACER          |
| 15       | 0908A0358         | COVER           |
| 16       | 0801A0296         | FLANGE          |
| 17       | 0908A0357         | COVER           |
| 18       | 340702000         | NUT M30 DX      |
| 20       | 0801A0335         | RING            |
| 21       | 0807A0400         | SHAFT           |
| 22       | 260500700         | GREASING NIPPLE |
| 23       | 081718600         | BUSHING HSK     |
| 24       | 0820A0049         | PIN ISO 30      |
| 25       | 280106700         | SPRING          |
| 26       | 080487200         | FEATHER 5X4X10  |
| 27       | 1102A0001         | PAD             |
| 28       | 2807A0009         | RING            |
| 29       | 340702200         | ELASTIC COLLET  |
| 30       | 302514000         | TONGUE 5X5X10   |

C0599A00 - AGGREGATE - HSK F63 - 23449\_ALL - ROVER S 15-02-2008

| POSITION | DRAWING/COMPONENT | DESCRIPTION    |
|----------|-------------------|----------------|
| 31       | 1621A0156         | BEVEL GEAR SET |
| 34       | 1606A0049         | SPACER         |
| 36       | 1606A0048         | SPACER         |
| 37       | 1605A0083         | SUPPORT        |
| 38       | 112001000         | DOWEL          |
| 39       | 302517100         | FEATHER        |



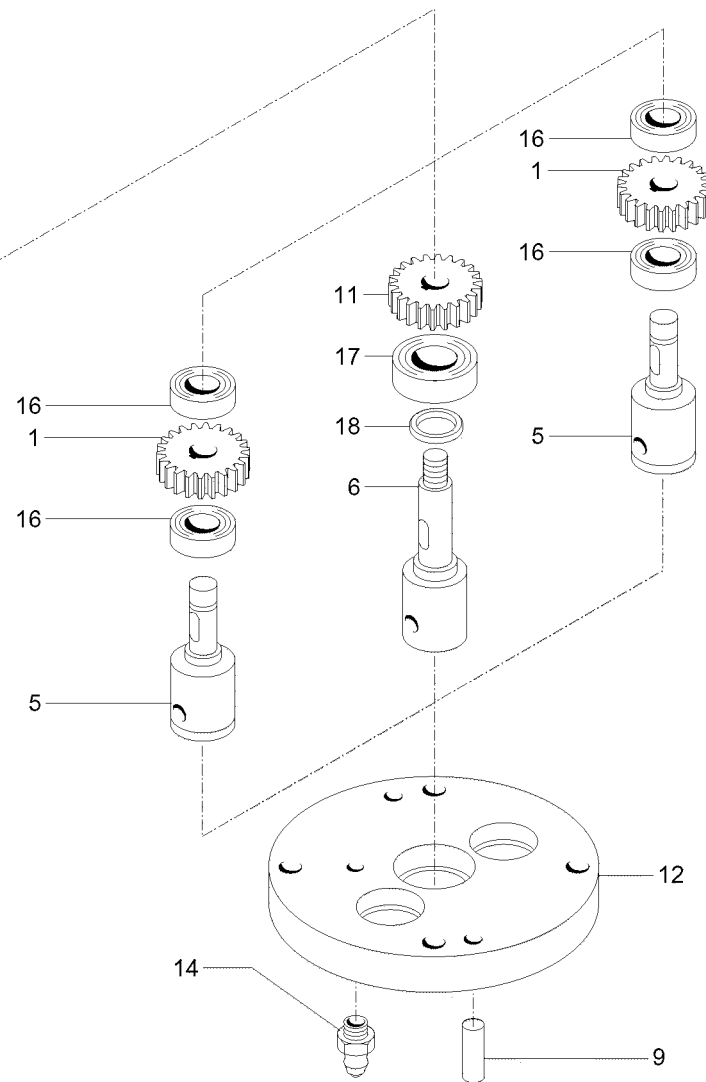
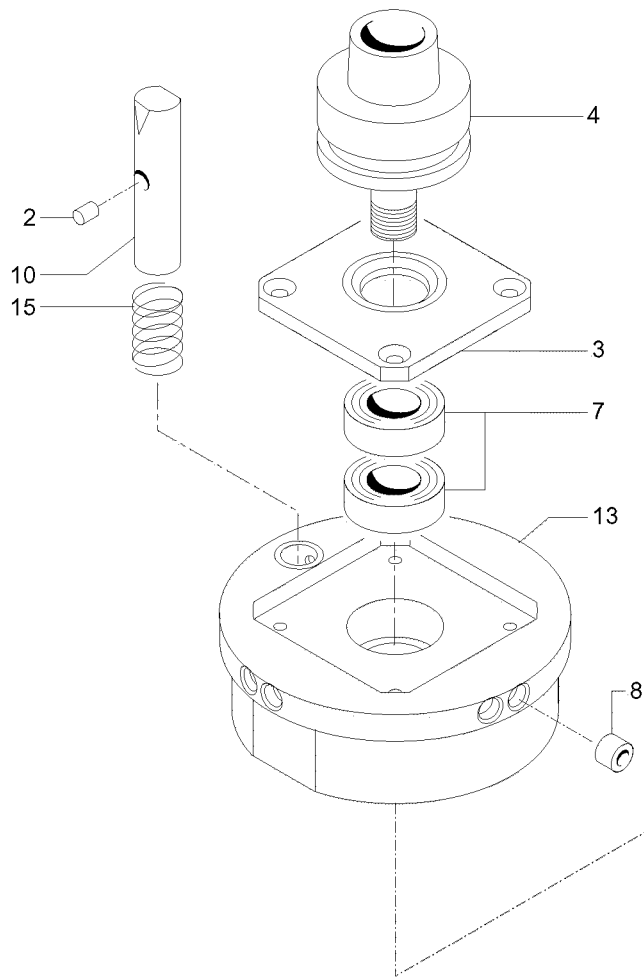
|    |                     |
|----|---------------------|
| 1  | 0801A0295           |
| 2  | 290304100           |
| 3  | 0821A0169           |
| 4  | 0804A0258           |
| 5  | 290304900 - 12-28-8 |
| 6  | 0821A0206           |
| 7  | 0807A0395           |
| 8  | 2903A0023           |
| 9  | 0806A0438           |
| 10 | 290304900 - 12-28-8 |
| 11 | 0804A0068           |
| 12 | 0817A0165           |
| 13 | 0817A0164           |
| 14 | 0806A0434           |
| 15 | 0908A0358           |
| 16 | 0801A0296           |
| 17 | 0908A0357           |
| 18 | 340702000 - M30 DX  |
| 20 | 0801A0335           |
| 21 | 0807A0305           |
| 22 | 260500700           |
| 23 | 081718600 - HSK     |
| 24 | 0820A0049 - ISO 30  |
| 25 | 280106700           |
| 26 | 080487200 - 5X4X10  |
| 27 | 1102A0001           |
| 28 | 2807A0009           |
| 29 | 340702200           |
| 30 | 302514000 - 5X5X10  |
| 31 | 1621A0156           |
| 34 | 1606A0049           |
| 35 | 1606A0048           |
| 37 | 1605A0083           |
| 38 | 112001000           |
| 39 | 302517100           |
| 40 | 0804A0013 - ISO 30  |

C0601A00 - AGGREGATE - ISO 30 - 23449\_ALL - ROVER S 15-02-2008

| POSITION | DRAWING/COMPONENT | DESCRIPTION     |
|----------|-------------------|-----------------|
| 1        | 0801A0295         | FLANGE          |
| 2        | 290304100         | BEARING         |
| 3        | 0821A0169         | GEAR            |
| 4        | 0804A0258         | WASHER          |
| 5        | 290304900         | BEARING 12-28-8 |
| 6        | 0821A0206         | GEAR            |
| 7        | 0807A0395         | SHAFT           |
| 8        | 2903A0023         | BEARING         |
| 9        | 0806A0438         | SPACER          |
| 10       | 290304900         | BEARING 12-28-8 |
| 11       | 0804A0068         | WASHER          |
| 12       | 0817A0165         | BUSH            |
| 13       | 0817A0164         | BUSH            |
| 14       | 0806A0434         | SPACER          |
| 15       | 0908A0358         | COVER           |
| 16       | 0801A0296         | FLANGE          |
| 17       | 0908A0357         | COVER           |
| 18       | 340702000         | NUT M30 DX      |
| 20       | 0801A0335         | RING            |
| 21       | 0807A0305         | SHAFT           |
| 22       | 260500700         | GREASING NIPPLE |
| 23       | 081718600         | BUSHING HSK     |
| 24       | 0820A0049         | PIN ISO 30      |
| 25       | 280106700         | SPRING          |
| 26       | 080487200         | FEATHER 5X4X10  |
| 27       | 1102A0001         | PAD             |
| 28       | 2807A0009         | RING            |
| 29       | 340702200         | ELASTIC COLLET  |
| 30       | 302514000         | TONGUE 5X5X10   |

C0601A00 - AGGREGATE - ISO 30 - 23449\_ALL - ROVER S 15-02-2008

| POSITION | DRAWING/COMPONENT | DESCRIPTION    |
|----------|-------------------|----------------|
| 31       | 1621A0156         | BEVEL GEAR SET |
| 34       | 1606A0049         | SPACER         |
| 35       | 1606A0048         | SPACER         |
| 37       | 1605A0083         | SUPPORT        |
| 38       | 112001000         | DOWEL          |
| 39       | 302517100         | FEATHER        |
| 40       | 0804A0013         | TIE ROD ISO 30 |

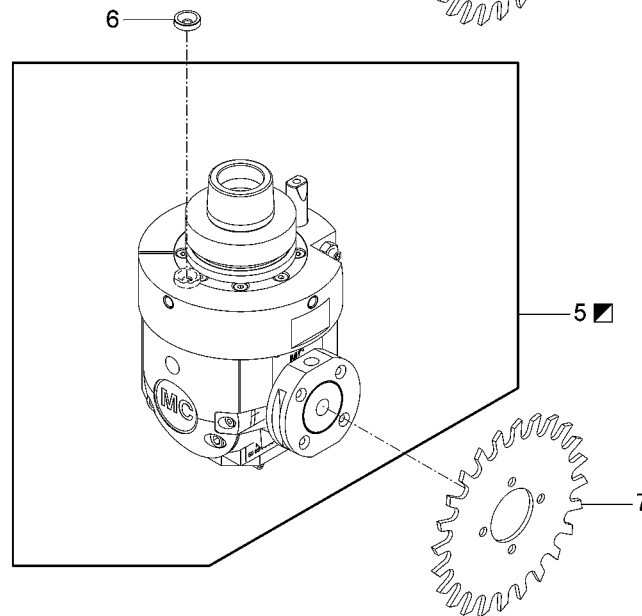
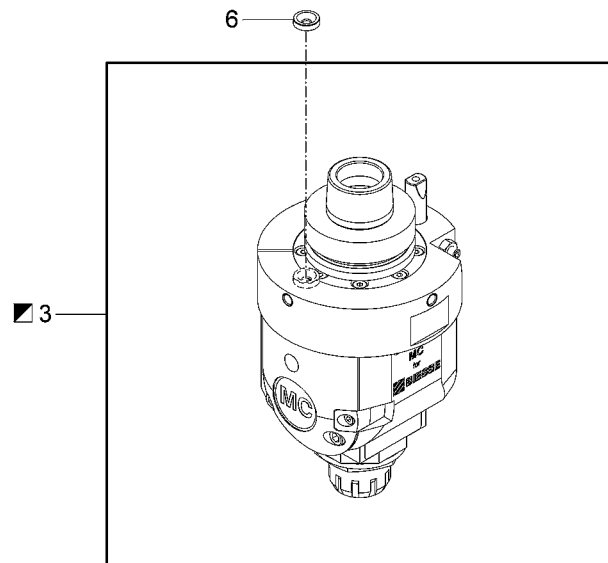
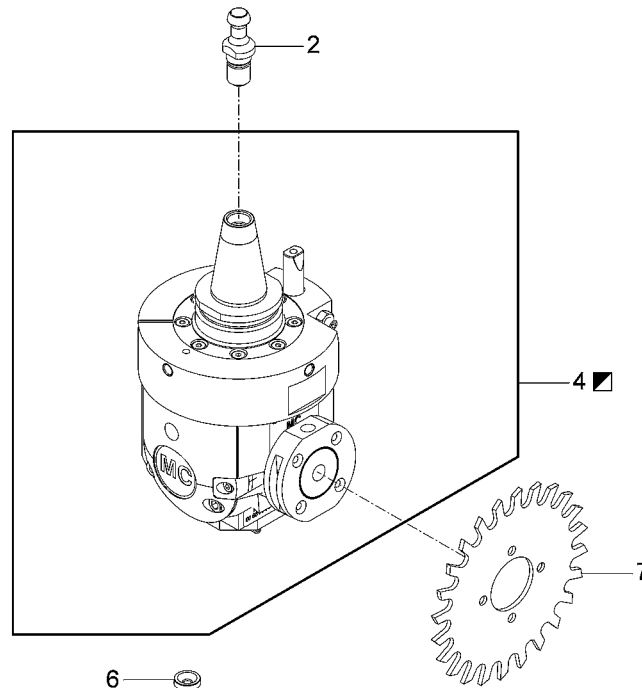
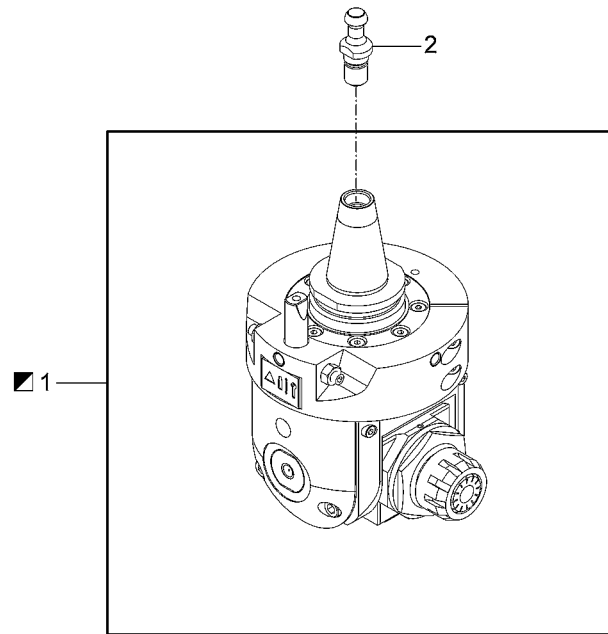


- 1 000104347 - D=25 H=9
- 1 000104346 - D=24,738 H=..
- 2 112001000
- 3 0801A0265
- 4 0807A0315
- 5 080749000 - LH
- 6 0807A0132 - HSK
- 7 290304600
- 8 081718600 - HSK
- 9 082001101 - 8X28
- 10 0820A0049 - ISO 30
- 11 082128400 - DP=23,846
- 11 082125400 - D=27,5
- 12 0908A0009 - 48X6
- 12 0908A0007 - 45X9,5
- 13 1612A0120 - D=45X9,5
- 13 1612A0141 - D=48X6
- 14 260500700
- 15 280106700
- 16 290100100 - 608-2RS RIV..
- 17 290106800 - 61900-2RS1
- 17 290101700 - 6000-2RSH
- 18 080666000



C0630A00 - AGGREGATE - HSK F63 - 23449\_ALL - ROVER S 15-02-2008

| POSITION | DRAWING/COMPONENT | DESCRIPTION             |
|----------|-------------------|-------------------------|
| 1        | 000104347         | GEAR D=25 H=9           |
| 1        | 000104346         | GEAR D=24,738 H=9       |
| 2        | 112001000         | DOWEL                   |
| 3        | 0801A0265         | FLANGE                  |
| 4        | 0807A0315         | SHAFT                   |
| 5        | 080749000         | SPINDLE LH              |
| 6        | 0807A0132         | SPINDLE HSK             |
| 7        | 290304600         | BEARING                 |
| 8        | 081718600         | BUSHING HSK             |
| 9        | 082001101         | DOWEL 8X28              |
| 10       | 0820A0049         | PIN ISO 30              |
| 11       | 082128400         | GEAR DP=23,846          |
| 11       | 082125400         | GEAR D=27,5             |
| 12       | 0908A0009         | COVER 48X6              |
| 12       | 0908A0007         | COVER 45X9,5            |
| 13       | 1612A0120         | BOX D=45X9,5            |
| 13       | 1612A0141         | BOX D=48X6              |
| 14       | 260500700         | GREASING NIPPLE         |
| 15       | 280106700         | SPRING                  |
| 16       | 290100100         | BEARING 608-2RS RIV-SKF |
| 17       | 290106800         | BEARING 61900-2RS1      |
| 17       | 290101700         | BEARING 6000-2RSH       |
| 18       | 080666000         | SPACER                  |

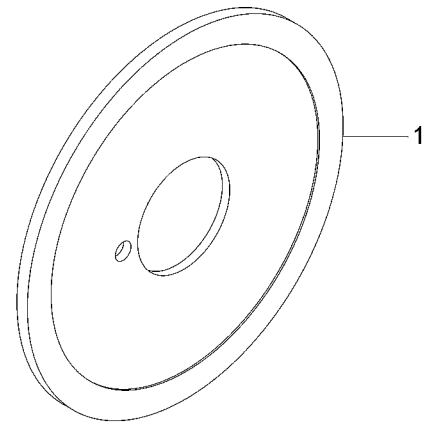
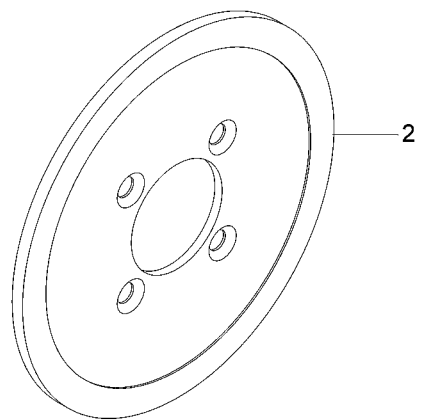


- 1 6314A0454 - ISO 30
- 3 6314A0456 - HSK F63
- 4 6314A0453 - ISO 30
- 5 6314A0455
- 6 C0801A02
- 7 C0681A01

C0631A02 - AGGREGATE - 23449\_ALL - ROVER S 15-02-2008

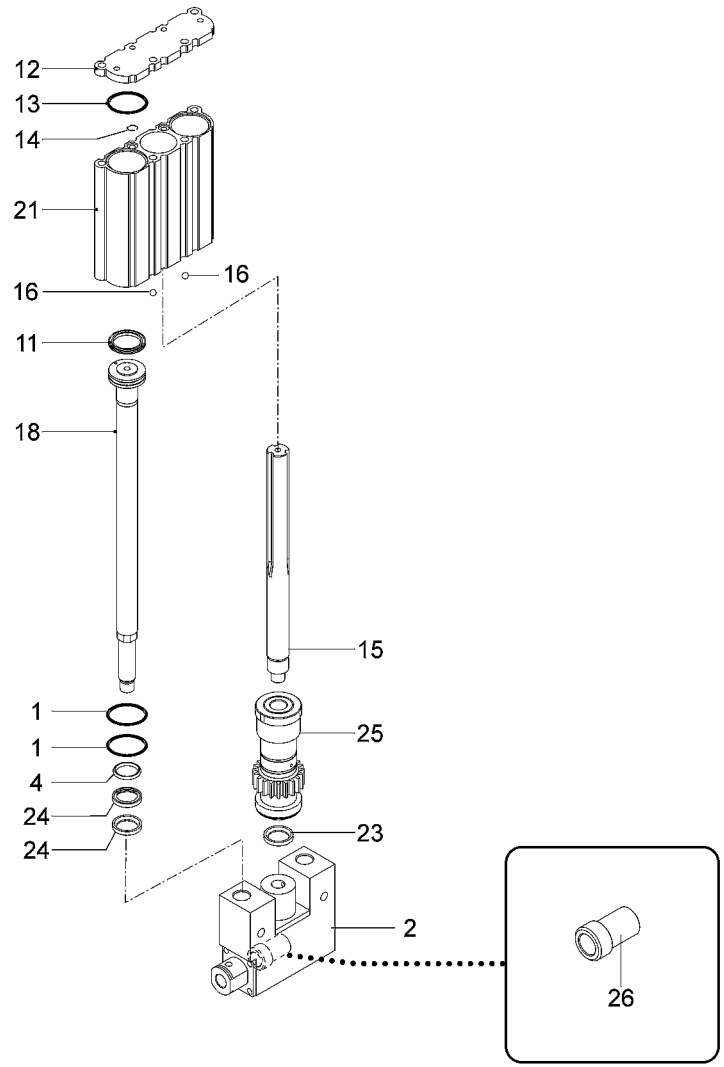
| POSITION | DRAWING/COMPONENT | DESCRIPTION       |
|----------|-------------------|-------------------|
| 1        | 6314A0454         | AGGREGATE ISO 30  |
| 3        | 6314A0456         | AGGREGATE HSK F63 |
| 4        | 6314A0453         | AGGREGATE ISO 30  |
| 5        | 6314A0455         | AGGREGATE         |
| 6        | C0801A02          | BUSHING           |
| 7        | C0681A01          | MILLING CUTTER    |

- 1 3401A0253 - De=270 Di=3..
- 1 3401A0250 - De=180 Di=3..
- 1 3401A0252 - De=250 Di=3..
- 1 3401A0235 - De=120 Di=4..
- 1 3401A0251 - De=215 Di=3..
- 2 3401A0255 - De=140 Di=3..
- 2 3401A0254 - De=120 Di=3..
- 2 3401A0218 - De=180 Di=3..
- 2 3401A0224 - De=180 Di=4..
- 2 3401A0238 - De=120 Di=3..
- 2 3401A0217 - De=120 Di=4..



## C0681A01 - MILLING CUTTER - 23449\_ALL - ROVER S 15-02-2008

| POSITION | DRAWING/COMPONENT | DESCRIPTION                          |
|----------|-------------------|--------------------------------------|
| 1        | 3401A0253         | BLADE DE=270 DI=35                   |
| 1        | 3401A0250         | BLADE DE=180 DI=35 S=4 Z=42          |
| 1        | 3401A0252         | BLADE DE=250 DI=35 S=3,2             |
| 1        | 3401A0235         | BLADE DE=120 DI=48 S4,0 Z=30         |
| 1        | 3401A0251         | BLADE DE=215 DI=35 S=4 Z=50          |
| 2        | 3401A0255         | MILLING CUTTER DE=140 DI=35 S=4 Z=30 |
| 2        | 3401A0254         | MILLING CUTTER DE=120 DI=35 S=4 Z=30 |
| 2        | 3401A0218         | BLADE DE=180 DI=30 S4,0 Z=42         |
| 2        | 3401A0224         | BLADE DE=180 DI=48 S4,0 Z=42         |
| 2        | 3401A0238         | MILLING CUTTER DE=120 DI=35 S4 Z=30  |
| 2        | 3401A0217         | BLADE DE=120 DI=45 S4,0 Z=30         |

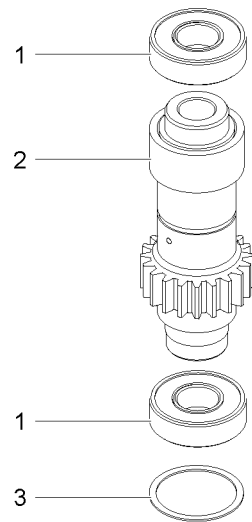


- 1 311002200
- 2 C0759A00
- 4 3110A2145
- 11 310700600 - PK 25
- 12 0808A0031
- 13 311028800
- 14 3110A0229
- 15 0807A0478
- 16 2921A0043
- 18 0815A0289
- 21 0916A0112
- 23 311300500
- 24 311402000 - G15-21-3
- 25 C0691A00
- 26 0806A0632

C0690A03 - BORING CHUCK - 23449\_ALL - ROVER S 15-02-2008

| POSITION | DRAWING/COMPONENT | DESCRIPTION             |
|----------|-------------------|-------------------------|
| 1        | 311002200         | SEAL RING               |
| 2        | C0759A00          | HORIZONTAL BORING CHUCK |
| 4        | 3110A2145         | GASKET                  |
| 11       | 310700600         | GASKET PK 25            |
| 12       | 0808A0031         | COVER                   |
| 13       | 311028800         | SEAL RING               |
| 14       | 3110A0229         | RING                    |
| 15       | 0807A0478         | SPINDLE                 |
| 16       | 2921A0043         | BALL                    |
| 18       | 0815A0289         | ROD                     |
| 21       | 0916A0112         | CYLINDER LINER          |
| 23       | 311300500         | SEAL RING               |
| 24       | 311402000         | RING G15-21-3           |
| 25       | C0691A00          | GEAR WHEEL              |
| 26       | 0806A0632         | SPACER                  |

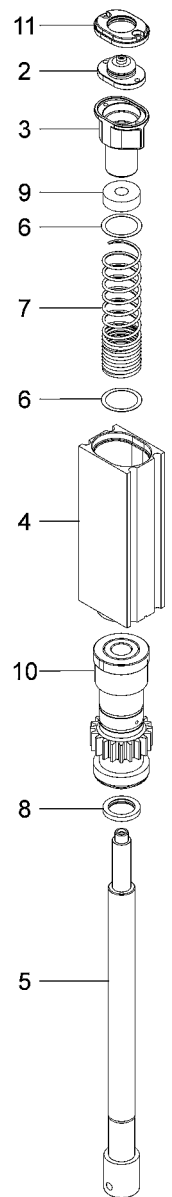
- 1 293000200
- 2 1621A0152 - DX
- 2 1621A0153 - SX
- 3 280700400





C0691A00 - GEAR WHEEL - 23449\_ALL - ROVER S 15-02-2008

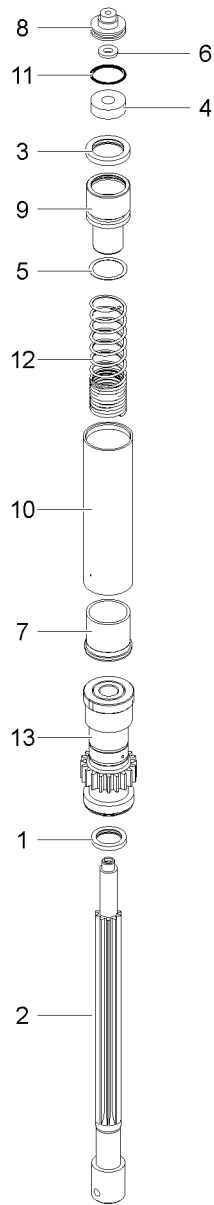
| POSITION | DRAWING/COMPONENT | DESCRIPTION   |
|----------|-------------------|---------------|
| 1        | 293000200         | BEARING       |
| 2        | 1621A0152         | GEAR WHEEL DX |
| 2        | 1621A0153         | GEAR WHEEL SX |
| 3        | 280700400         | RING          |



- 2 1415A0003
- 3 1415A0004
- 4 1416A0002
- 5 0807A0475 - DX
- 5 0807A0476 - SX
- 6 080656600
- 7 280104901
- 8 311300500
- 9 290100100 - 608-2RS RIV..
- 10 C0691A00
- 11 1419A0015

C0694A01 - SPINDLE - 23449\_ALL - ROVER S 15-02-2008

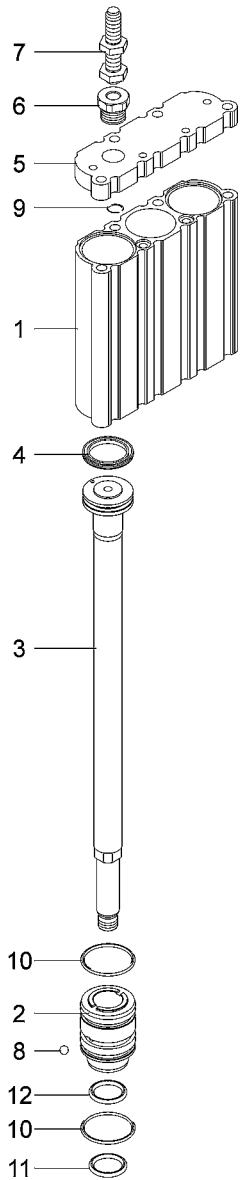
| POSITION | DRAWING/COMPONENT | DESCRIPTION             |
|----------|-------------------|-------------------------|
| 2        | 1415A0003         | PISTON                  |
| 3        | 1415A0004         | PISTON                  |
| 4        | 1416A0002         | CYLINDER LINER          |
| 5        | 0807A0475         | SPINDLE DX              |
| 5        | 0807A0476         | SPINDLE SX              |
| 6        | 080656600         | RING                    |
| 7        | 280104901         | SPRING                  |
| 8        | 311300500         | SEAL RING               |
| 9        | 290100100         | BEARING 608-2RS RIV-SKF |
| 10       | C0691A00          | GEAR WHEEL              |
| 11       | 1419A0015         | GASKET                  |



- 1 311300500
- 2 0807A0475 - DX
- 3 0807A0476 - SX
- 4 1419A0001
- 5 290100100 - 608-2RS RIV..
- 6 080656600
- 7 080453400
- 8 0817A0033
- 9 090119512
- 10 0915A0001
- 11 1116A0003
- 12 311001800 - OR 2075
- 13 280104901
- 13 C0691A00

C0695A00 - SPINDLE - 23449\_ALL - ROVER S 15-02-2008

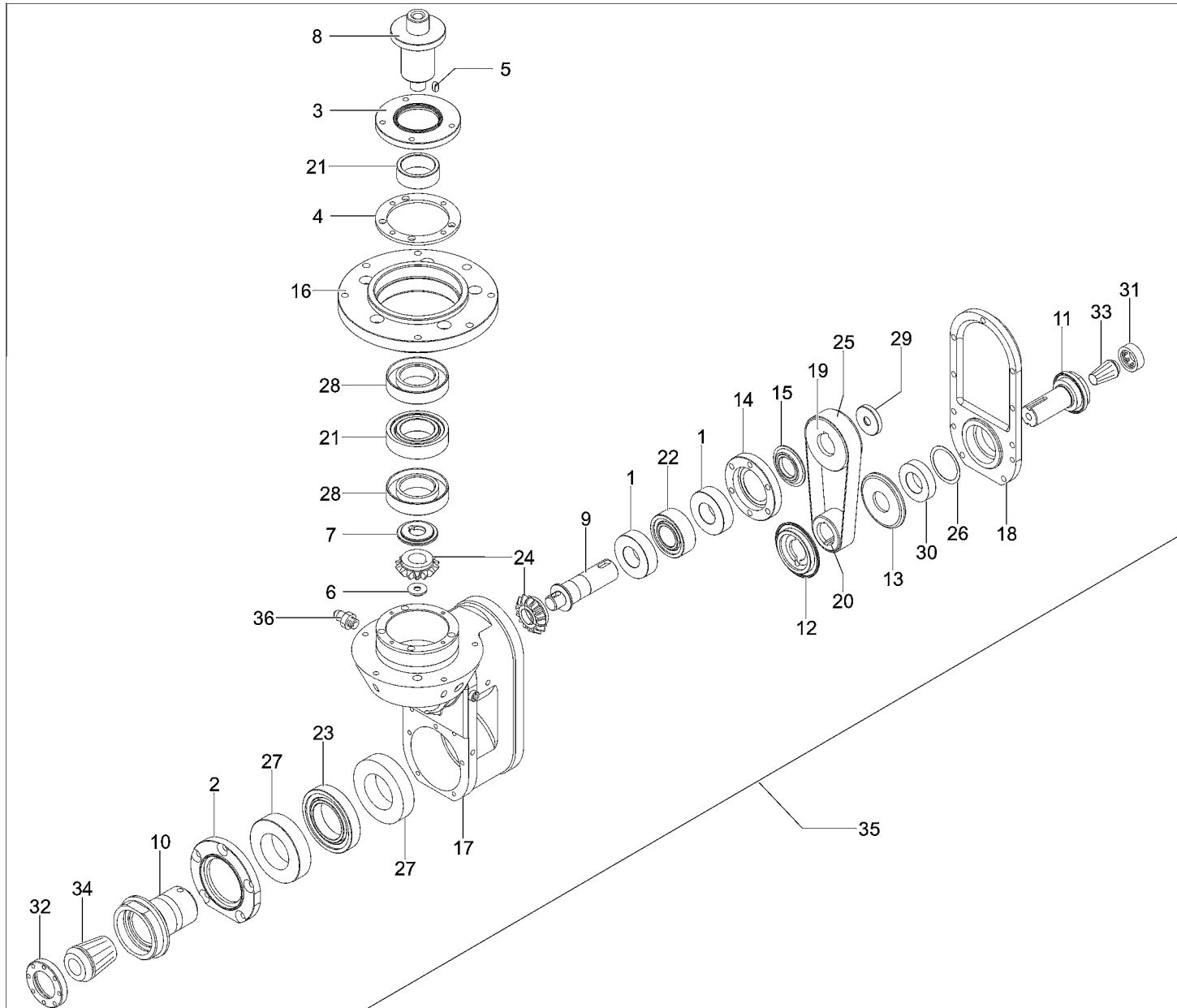
| POSITION | DRAWING/COMPONENT | DESCRIPTION             |
|----------|-------------------|-------------------------|
| 1        | 311300500         | SEAL RING               |
| 2        | 0807A0475         | SPINDLE DX              |
| 2        | 0807A0476         | SPINDLE SX              |
| 3        | 1419A0001         | GASKET                  |
| 4        | 290100100         | BEARING 608-2RS RIV-SKF |
| 5        | 080656600         | RING                    |
| 6        | 080453400         | WASHER                  |
| 7        | 0817A0033         | BUSH                    |
| 8        | 090119512         | PLUG                    |
| 9        | 0915A0001         | PISTON                  |
| 10       | 1116A0003         | CYLINDER LINER          |
| 11       | 311001800         | RING OR 2075            |
| 12       | 280104901         | SPRING                  |
| 13       | C0691A00          | GEAR WHEEL              |



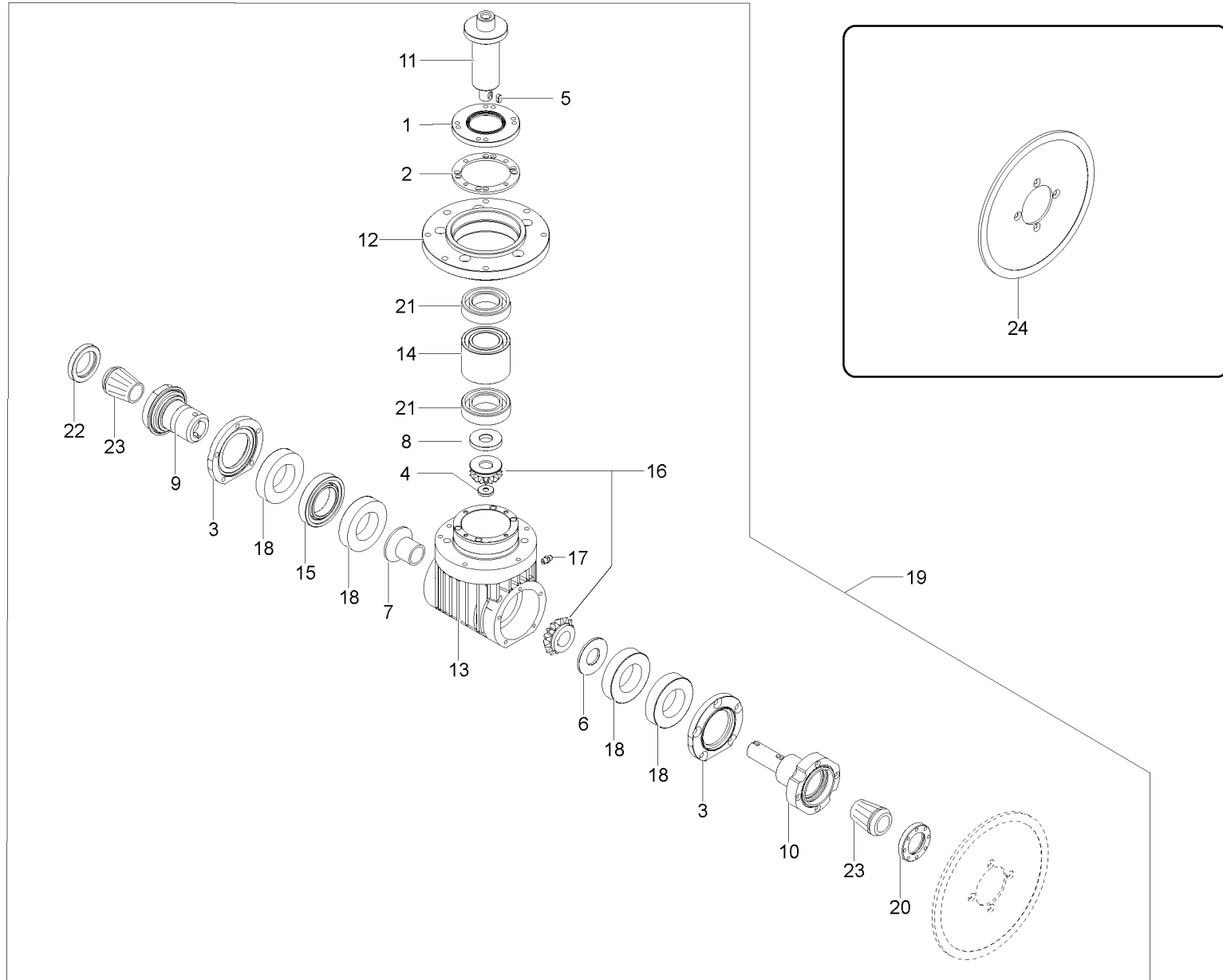
- 1 0916A0112
- 2 0817A0194
- 3 0815A0289
- 4 310700600 - PK 25
- 5 0808A0034
- 6 1417A0027
- 7 2164A0585
- 8 2921A0043
- 9 3110A0229
- 10 311002200
- 11 3110A2145
- 12 3110A2008

C0696A01 - SLIDING UNIT - 23449\_ALL - ROVER S 15-02-2008

| POSITION | DRAWING/COMPONENT | DESCRIPTION    |
|----------|-------------------|----------------|
| 1        | 0916A0112         | CYLINDER LINER |
| 2        | 0817A0194         | BUSHING        |
| 3        | 0815A0289         | ROD            |
| 4        | 310700600         | GASKET PK 25   |
| 5        | 0808A0034         | COVER          |
| 6        | 1417A0027         | BUSHING        |
| 7        | 2164A0585         | SENSOR         |
| 8        | 2921A0043         | BALL           |
| 9        | 3110A0229         | RING           |
| 10       | 311002200         | SEAL RING      |
| 11       | 3110A2145         | GASKET         |
| 12       | 3110A2008         | GASKET         |

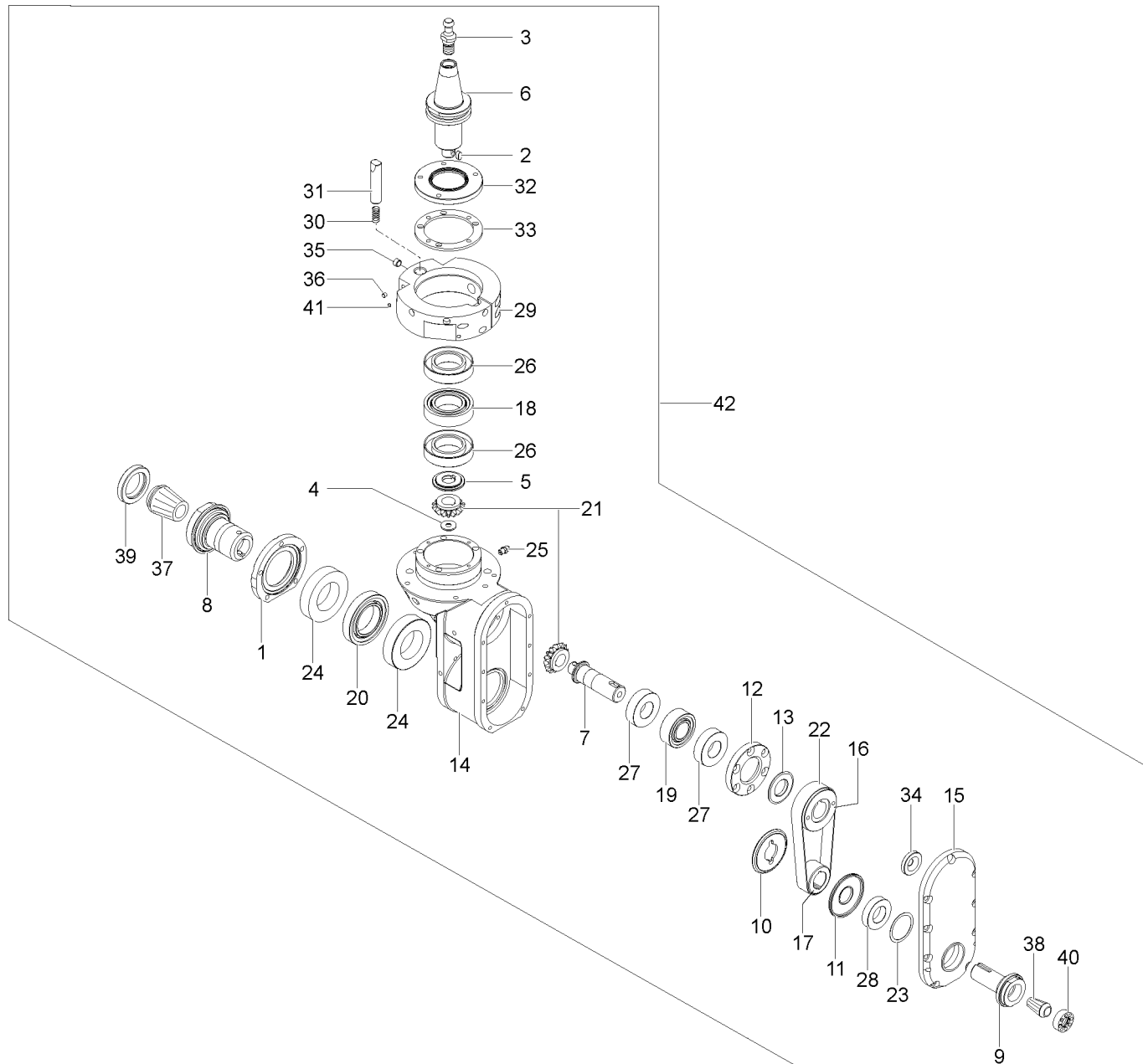






C0717A00 - AGGREGATE - D=180 - 23449\_ALL - ROVER S 15-02-2008

| POSITION | DRAWING/COMPONENT | DESCRIPTION    |
|----------|-------------------|----------------|
| 24       | C0681A01          | MILLING CUTTER |



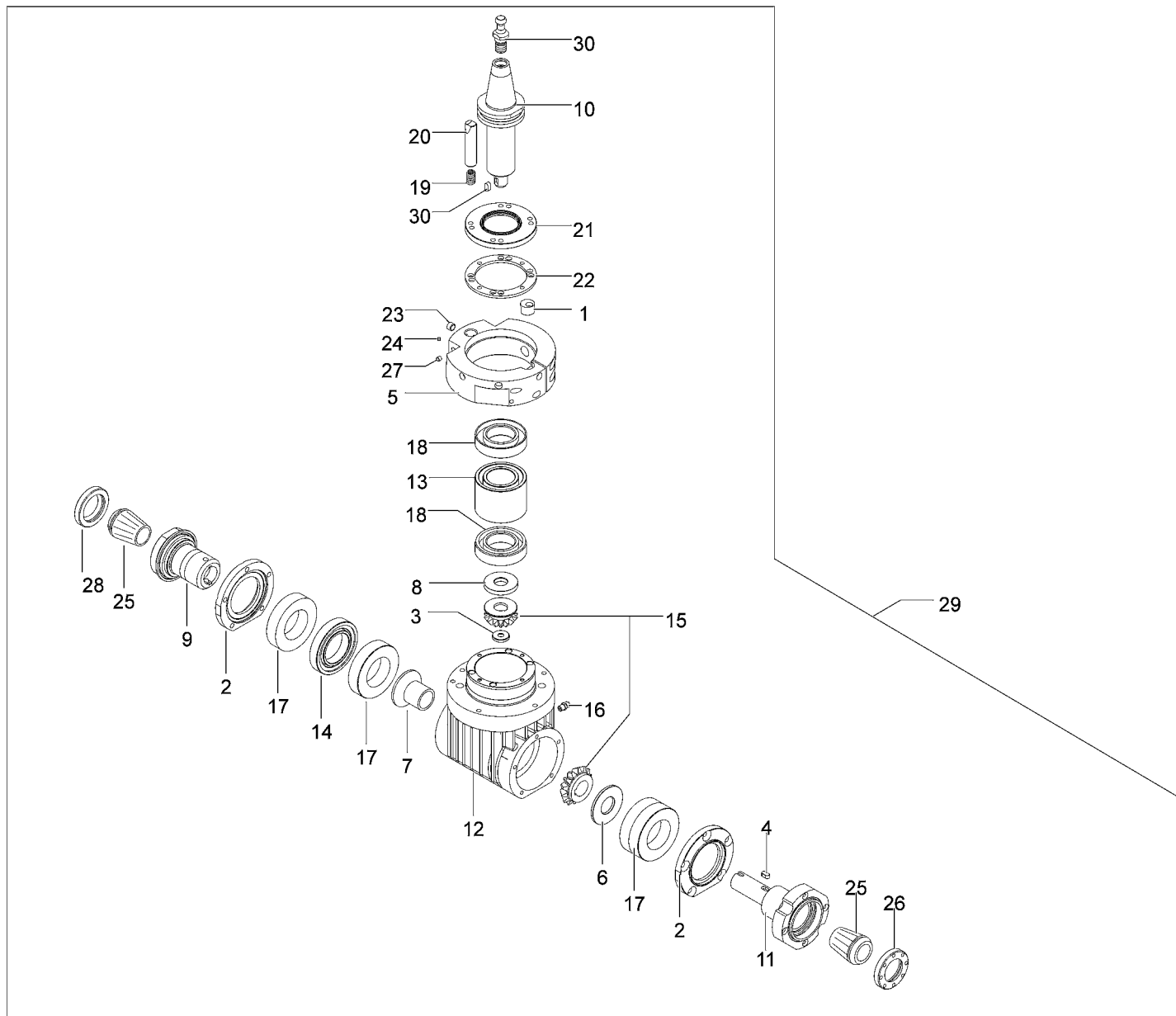
|    |                           |
|----|---------------------------|
| 1  | 0801A0451                 |
| 2  | 080487200 - 5X4X10        |
| 3  | 0804A0013 - ISO 30        |
| 4  | 0804A0052                 |
| 5  | 0806A0532                 |
| 6  | 0807A0146 - ISO 30        |
| 7  | 0807A0440                 |
| 8  | 0807A0441                 |
| 9  | 0807A0443                 |
| 10 | 0817A0199                 |
| 11 | 0817A0200                 |
| 12 | 0817A0201                 |
| 13 | 0817A0202                 |
| 14 | 0905A1521                 |
| 15 | 0908A0379                 |
| 16 | 0922A0198                 |
| 17 | 0922A0199                 |
| 18 | 1606A0017                 |
| 19 | 1606A0065                 |
| 20 | 1606A0066                 |
| 21 | 1621A0156                 |
| 22 | 2701A0246                 |
| 23 | 2807A0011                 |
| 24 | 290304400                 |
| 25 | 260500700                 |
| 26 | 2903A0005 - 30-55-13      |
| 27 | 2903A0007 - 20-42-12      |
| 28 | 2903A0031                 |
| 29 | 0901A0219                 |
| 30 | 2801A0008                 |
| 31 | 0820A0114                 |
| 32 | 0801A0452                 |
| 33 | 0801A0453                 |
| 34 | 080483400                 |
| 35 | 081718600 - HSK           |
| 36 | 112001000                 |
| 37 | 340706500 - D=15-16 ERC.. |
| 38 | 3407A0151 - D=10 EX 16    |
| 39 | 0804A0312                 |
| 40 | 3407A0215                 |
| 41 | 1102A0001                 |
| 42 | 6314A0399                 |

C0718A00 - AGGREGATE - ISO 30 - 23449\_ALL - ROVER S 15-02-2008

| POSITION | DRAWING/COMPONENT | DESCRIPTION      |
|----------|-------------------|------------------|
| 1        | 0801A0451         | FLANGE           |
| 2        | 080487200         | FEATHER 5X4X10   |
| 3        | 0804A0013         | TIE ROD ISO 30   |
| 4        | 0804A0052         | WASHER           |
| 5        | 0806A0532         | SPACER           |
| 6        | 0807A0146         | SHAFT ISO 30     |
| 7        | 0807A0440         | SHAFT            |
| 8        | 0807A0441         | SHAFT            |
| 9        | 0807A0443         | SHAFT            |
| 10       | 0817A0199         | BUSHING          |
| 11       | 0817A0200         | BUSHING          |
| 12       | 0817A0201         | FLANGE           |
| 13       | 0817A0202         | BUSHING          |
| 14       | 0905A1521         | SUPPORT          |
| 15       | 0908A0379         | COVER            |
| 16       | 0922A0198         | PULLEY           |
| 17       | 0922A0199         | PULLEY           |
| 18       | 1606A0017         | SPACER           |
| 19       | 1606A0065         | SPACER           |
| 20       | 1606A0066         | SPACER           |
| 21       | 1621A0156         | BEVEL GEAR SET   |
| 22       | 2701A0246         | BELT             |
| 23       | 2807A0011         | RING             |
| 24       | 290304400         | BEARING          |
| 25       | 260500700         | GREASING NIPPLE  |
| 26       | 2903A0005         | BEARING 30-55-13 |
| 27       | 2903A0007         | BEARING 20-42-12 |
| 28       | 2903A0031         | BEARING          |
| 29       | 0901A0219         | FLANGE           |

C0718A00 - AGGREGATE - ISO 30 - 23449\_ALL - ROVER S 15-02-2008

| POSITION | DRAWING/COMPONENT | DESCRIPTION                   |
|----------|-------------------|-------------------------------|
| 30       | 2801A0008         | SPRING                        |
| 31       | 0820A0114         | ANTIROTATION PIN              |
| 32       | 0801A0452         | FLANGE                        |
| 33       | 0801A0453         | FLANGE                        |
| 34       | 080483400         | WASHER                        |
| 35       | 081718600         | BUSHING HSK                   |
| 36       | 112001000         | DOWEL                         |
| 37       | 340706500         | ELASTIC COLLET D=15-16 ERC 32 |
| 38       | 3407A0151         | ELASTIC COLLET D=10 EX 16     |
| 39       | 0804A0312         | RING NUT                      |
| 40       | 3407A0215         | RING NUT                      |
| 41       | 1102A0001         | PAD                           |
| 42       | 6314A0399         | AGGREGATE                     |



|    |                           |
|----|---------------------------|
| 1  | 0801A0098                 |
| 2  | 0801A0451                 |
| 3  | 080485900 - 18X6,5X3,5    |
| 4  | 080487200 - 5X4X10        |
| 5  | 0901A0219                 |
| 6  | 0806A0446                 |
| 7  | 0806A0468                 |
| 8  | 0806A0477                 |
| 9  | 0807A0441                 |
| 10 | 0807A0453                 |
| 11 | 0807A0454                 |
| 12 | 0905A1686                 |
| 13 | 1606A0064                 |
| 14 | 1606A0066                 |
| 15 | 1621A0020                 |
| 16 | 260500700                 |
| 17 | 290304400                 |
| 18 | 2903A0005 - 30-55-13      |
| 19 | 2801A0008                 |
| 20 | 0820A0114                 |
| 21 | 0801A0067                 |
| 22 | 0801A0097                 |
| 23 | 081718600 - HSK           |
| 24 | 112001000                 |
| 25 | 340706700 - D=19-20 ERC.. |
| 26 | 0804A0312                 |
| 27 | 1102A0001                 |
| 28 | 0804A0293                 |
| 29 | 6314A0401                 |
| 30 | 0804A0013 - ISO 30        |

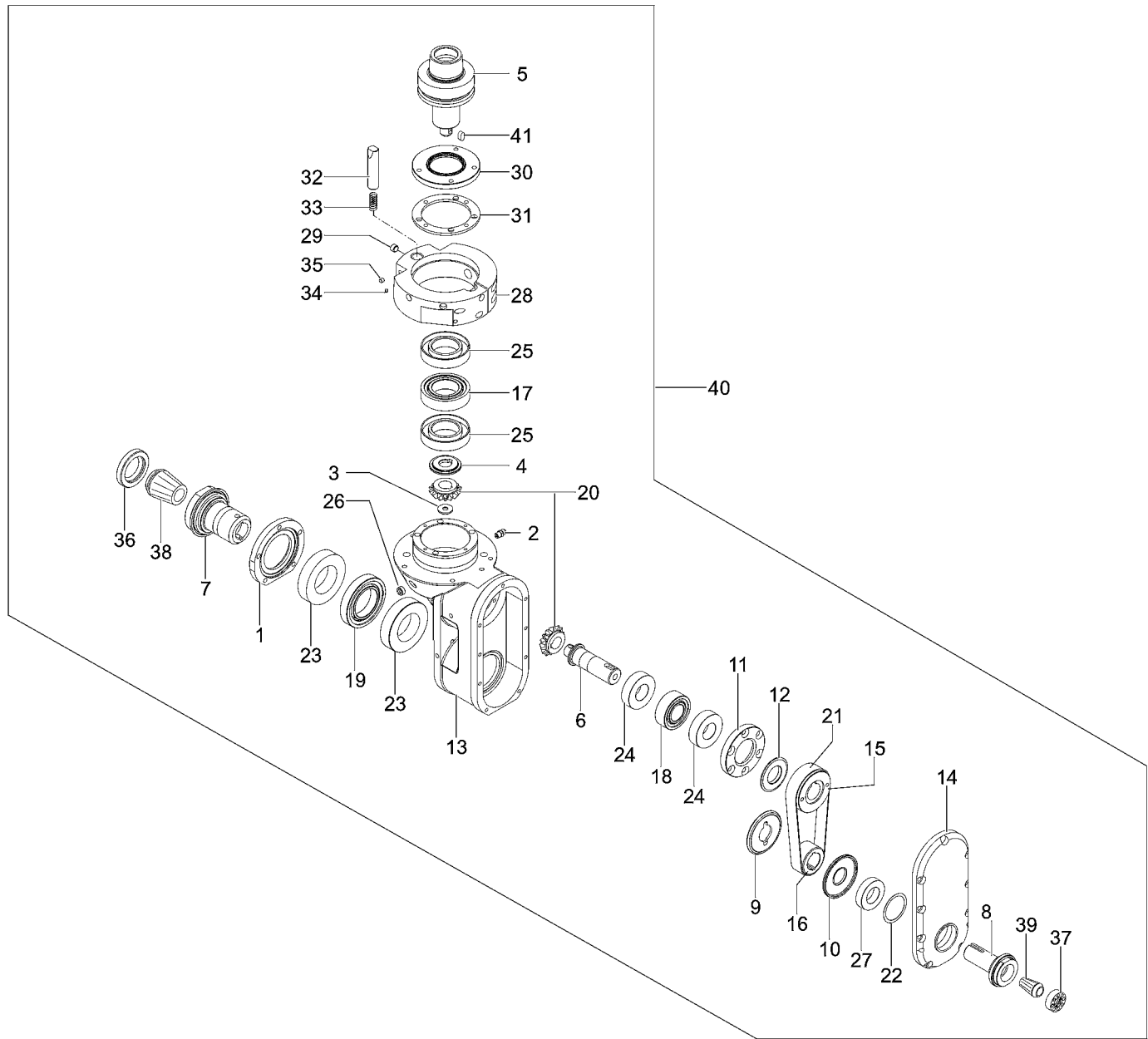
C0719A02 - AGGREGATE - ISO 30 - 23449\_ALL - ROVER S 15-02-2008

| POSITION | DRAWING/COMPONENT | DESCRIPTION                   |
|----------|-------------------|-------------------------------|
| 1        | 0801A0098         | PIN                           |
| 2        | 0801A0451         | FLANGE                        |
| 3        | 080485900         | WASHER 18X6,5X3,5             |
| 4        | 080487200         | FEATHER 5X4X10                |
| 5        | 0901A0219         | FLANGE                        |
| 6        | 0806A0446         | SPACER                        |
| 7        | 0806A0468         | SPACER                        |
| 8        | 0806A0477         | SPACER                        |
| 9        | 0807A0441         | SHAFT                         |
| 10       | 0807A0453         | SHAFT                         |
| 11       | 0807A0454         | SHAFT                         |
| 12       | 0905A1686         | SUPPORT                       |
| 13       | 1606A0064         | SPACER                        |
| 14       | 1606A0066         | SPACER                        |
| 15       | 1621A0020         | GEAR WHEEL                    |
| 16       | 260500700         | GREASING NIPPLE               |
| 17       | 290304400         | BEARING                       |
| 18       | 2903A0005         | BEARING 30-55-13              |
| 19       | 2801A0008         | SPRING                        |
| 20       | 0820A0114         | ANTIROTATION PIN              |
| 21       | 0801A0067         | FLANGE                        |
| 22       | 0801A0097         | FLANGE                        |
| 23       | 081718600         | BUSHING HSK                   |
| 24       | 112001000         | DOWEL                         |
| 25       | 340706700         | ELASTIC COLLET D=19-20 ERC 32 |
| 26       | 0804A0312         | RING NUT                      |
| 27       | 1102A0001         | PAD                           |
| 28       | 0804A0293         | RING NUT                      |
| 29       | 6314A0401         | AGGREGATE                     |

C0719A02 - AGGREGATE - ISO 30 - 23449\_ALL - ROVER S 15-02-2008

| POSITION | DRAWING/COMPONENT | DESCRIPTION    |
|----------|-------------------|----------------|
| 30       | 0804A0013         | TIE ROD ISO 30 |





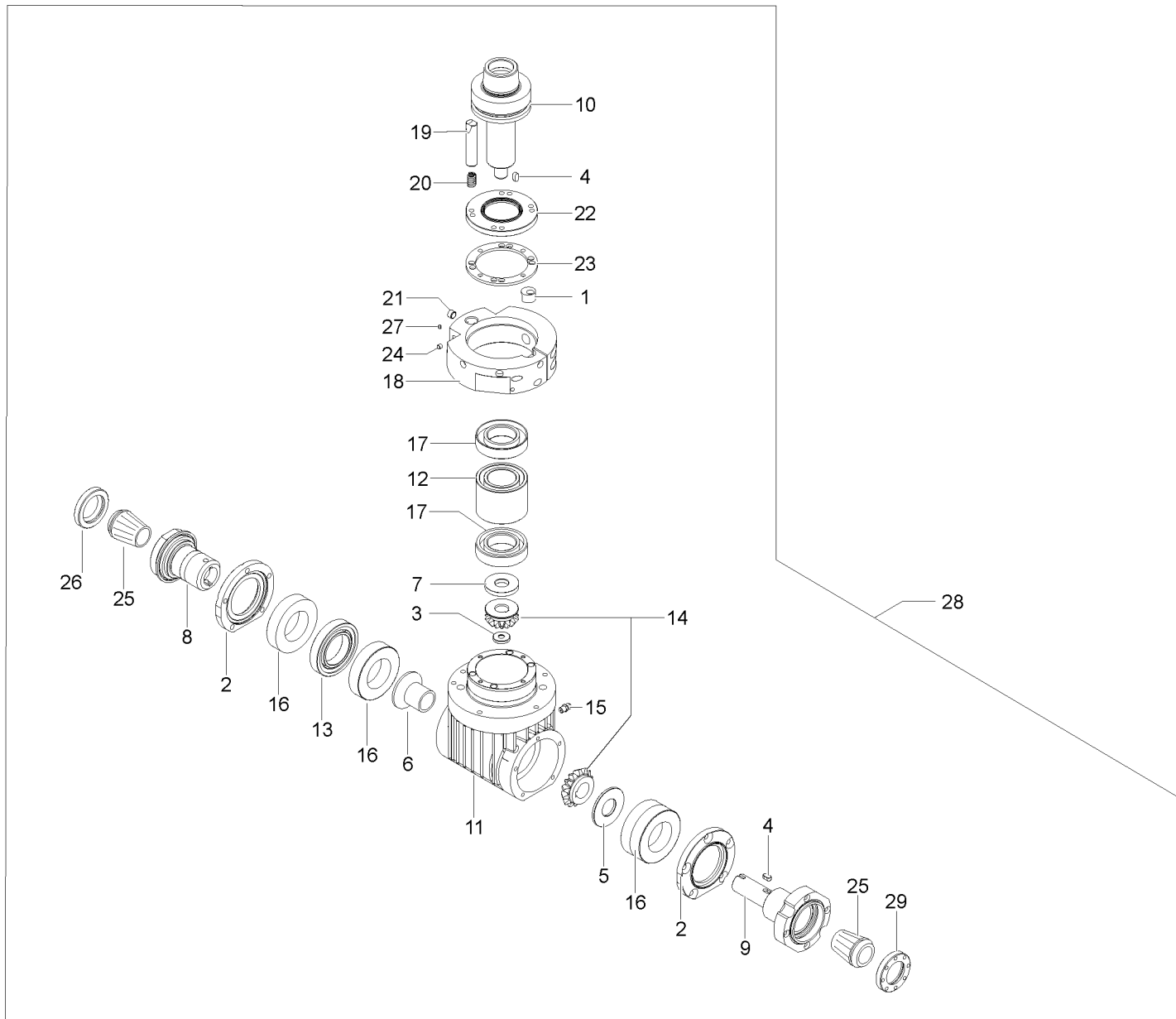
- 1 0801A0451
- 2 260500700
- 3 0804A0052
- 4 0806A0532
- 5 0807A0147 - HSK F63
- 6 0807A0440
- 7 0807A0441
- 8 0807A0443
- 9 0817A0199
- 10 0817A0200
- 11 0817A0201
- 12 0817A0202
- 13 0905A1521
- 14 0908A0379
- 15 0922A0198
- 16 0922A0199
- 17 1606A0017
- 18 1606A0065
- 19 1606A0066
- 20 1621A0156
- 21 2701A0246
- 22 2807A0011
- 23 290304400
- 24 2903A0007 - 20-42-12
- 25 2903A0005 - 30-55-13
- 26 241201100 - F=1/8
- 27 2903A0031
- 28 0901A0219
- 29 081718600 - HSK
- 30 0801A0452
- 31 0801A0453
- 32 0820A0114
- 33 2801A0008
- 34 1102A0001
- 35 112001000
- 36 0804A0312
- 37 3407A0215
- 38 340706500 - D=15-16 ERC..
- 39 3407A0151 - D=10 EX 16
- 40 6314A0400
- 41 080487200 - 5X4X10

C0722A01 - AGGREGATE - HSK F63 - 23449\_ALL - ROVER S 15-02-2008

| POSITION | DRAWING/COMPONENT | DESCRIPTION      |
|----------|-------------------|------------------|
| 1        | 0801A0451         | FLANGE           |
| 2        | 260500700         | GREASING NIPPLE  |
| 3        | 0804A0052         | WASHER           |
| 4        | 0806A0532         | SPACER           |
| 5        | 0807A0147         | SHAFT HSK F63    |
| 6        | 0807A0440         | SHAFT            |
| 7        | 0807A0441         | SHAFT            |
| 8        | 0807A0443         | SHAFT            |
| 9        | 0817A0199         | BUSHING          |
| 10       | 0817A0200         | BUSHING          |
| 11       | 0817A0201         | FLANGE           |
| 12       | 0817A0202         | BUSHING          |
| 13       | 0905A1521         | SUPPORT          |
| 14       | 0908A0379         | COVER            |
| 15       | 0922A0198         | PULLEY           |
| 16       | 0922A0199         | PULLEY           |
| 17       | 1606A0017         | SPACER           |
| 18       | 1606A0065         | SPACER           |
| 19       | 1606A0066         | SPACER           |
| 20       | 1621A0156         | BEVEL GEAR SET   |
| 21       | 2701A0246         | BELT             |
| 22       | 2807A0011         | RING             |
| 23       | 290304400         | BEARING          |
| 24       | 2903A0007         | BEARING 20-42-12 |
| 25       | 2903A0005         | BEARING 30-55-13 |
| 26       | 241201100         | SILENCER F=1/8   |
| 27       | 2903A0031         | BEARING          |
| 28       | 0901A0219         | FLANGE           |
| 29       | 081718600         | BUSHING HSK      |

C0722A01 - AGGREGATE - HSK F63 - 23449\_ALL - ROVER S 15-02-2008

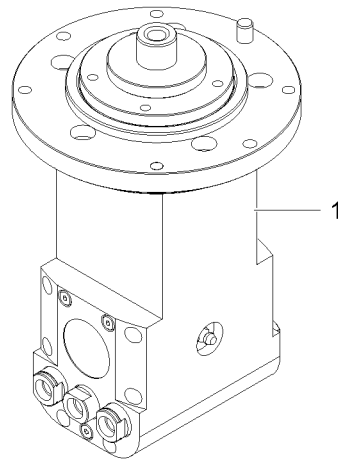
| POSITION | DRAWING/COMPONENT | DESCRIPTION                   |
|----------|-------------------|-------------------------------|
| 30       | 0801A0452         | FLANGE                        |
| 31       | 0801A0453         | FLANGE                        |
| 32       | 0820A0114         | ANTIROTATION PIN              |
| 33       | 2801A0008         | SPRING                        |
| 34       | 1102A0001         | PAD                           |
| 35       | 112001000         | DOWEL                         |
| 36       | 0804A0312         | RING NUT                      |
| 37       | 3407A0215         | RING NUT                      |
| 38       | 340706500         | ELASTIC COLLET D=15-16 ERC 32 |
| 39       | 3407A0151         | ELASTIC COLLET D=10 EX 16     |
| 40       | 6314A0400         | AGGREGATE                     |
| 41       | 080487200         | FEATHER 5X4X10                |



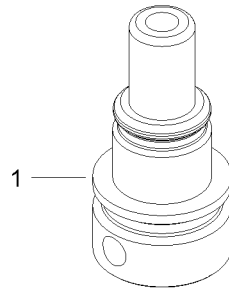
|    |                           |
|----|---------------------------|
| 1  | 0801A0098                 |
| 2  | 0801A0451                 |
| 3  | 080485900 - 18X6,5X3,5    |
| 4  | 080487200 - 5X4X10        |
| 5  | 0806A0446                 |
| 6  | 0806A0468                 |
| 7  | 0806A0477                 |
| 8  | 0807A0441                 |
| 9  | 0807A0454                 |
| 10 | 0807A0455                 |
| 11 | 0905A1686                 |
| 12 | 1606A0064                 |
| 13 | 1606A0066                 |
| 14 | 1621A0020                 |
| 15 | 260500700                 |
| 16 | 290304400                 |
| 17 | 2903A0005 - 30-55-13      |
| 18 | 0901A0219                 |
| 19 | 0820A0114                 |
| 20 | 2801A0008                 |
| 21 | 081718600 - HSK           |
| 22 | 0801A0067                 |
| 23 | 0801A0097                 |
| 24 | 112001000                 |
| 25 | 340706700 - D=19-20 ERC.. |
| 26 | 0804A0312                 |
| 27 | 1102A0001                 |
| 28 | 6314A0402                 |
| 29 | 0804A0293                 |

C0724A00 - AGGREGATE - HSK F63 - 23449\_ALL - ROVER S 15-02-2008

| POSITION | DRAWING/COMPONENT | DESCRIPTION                   |
|----------|-------------------|-------------------------------|
| 1        | 0801A0098         | PIN                           |
| 2        | 0801A0451         | FLANGE                        |
| 3        | 080485900         | WASHER 18X6,5X3,5             |
| 4        | 080487200         | FEATHER 5X4X10                |
| 5        | 0806A0446         | SPACER                        |
| 6        | 0806A0468         | SPACER                        |
| 7        | 0806A0477         | SPACER                        |
| 8        | 0807A0441         | SHAFT                         |
| 9        | 0807A0454         | SHAFT                         |
| 10       | 0807A0455         | SHAFT                         |
| 11       | 0905A1686         | SUPPORT                       |
| 12       | 1606A0064         | SPACER                        |
| 13       | 1606A0066         | SPACER                        |
| 14       | 1621A0020         | GEAR WHEEL                    |
| 15       | 260500700         | GREASING NIPPLE               |
| 16       | 290304400         | BEARING                       |
| 17       | 2903A0005         | BEARING 30-55-13              |
| 18       | 0901A0219         | FLANGE                        |
| 19       | 0820A0114         | ANTIROTATION PIN              |
| 20       | 2801A0008         | SPRING                        |
| 21       | 081718600         | BUSHING HSK                   |
| 22       | 0801A0067         | FLANGE                        |
| 23       | 0801A0097         | FLANGE                        |
| 24       | 112001000         | DOWEL                         |
| 25       | 340706700         | ELASTIC COLLET D=19-20 ERC 32 |
| 26       | 0804A0312         | RING NUT                      |
| 27       | 1102A0001         | PAD                           |
| 28       | 6314A0402         | AGGREGATE                     |
| 29       | 0804A0293         | RING NUT                      |



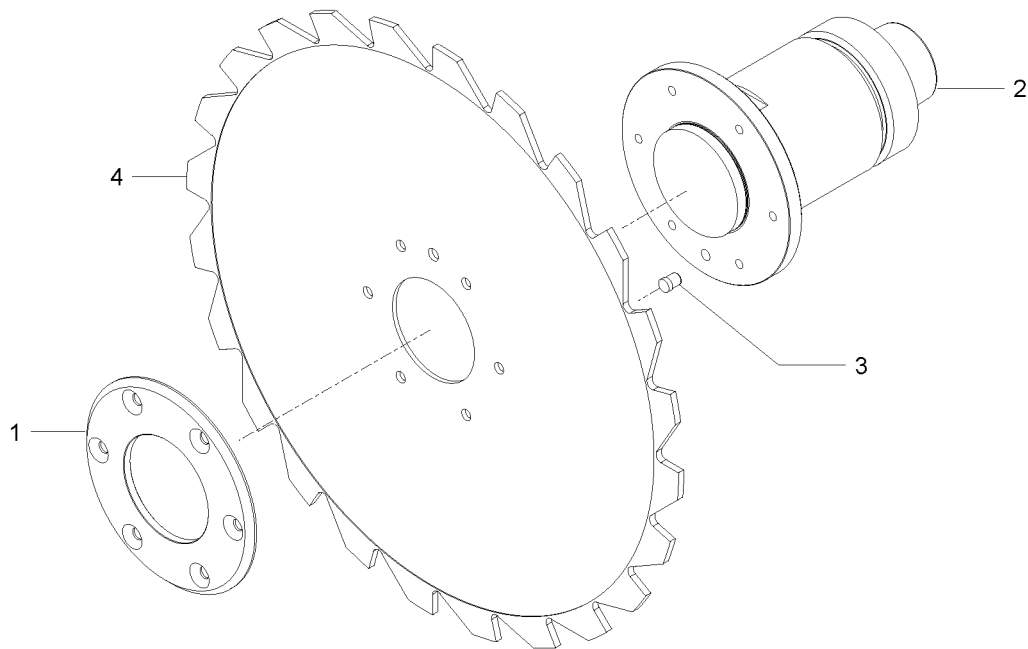
1 K1010K0013



C0754A00 - BUSH - 23449\_ALL - ROVER S 15-02-2008

| POSITION | DRAWING/COMPONENT | DESCRIPTION |
|----------|-------------------|-------------|
| 1        | K1010K0013        | BUSH        |

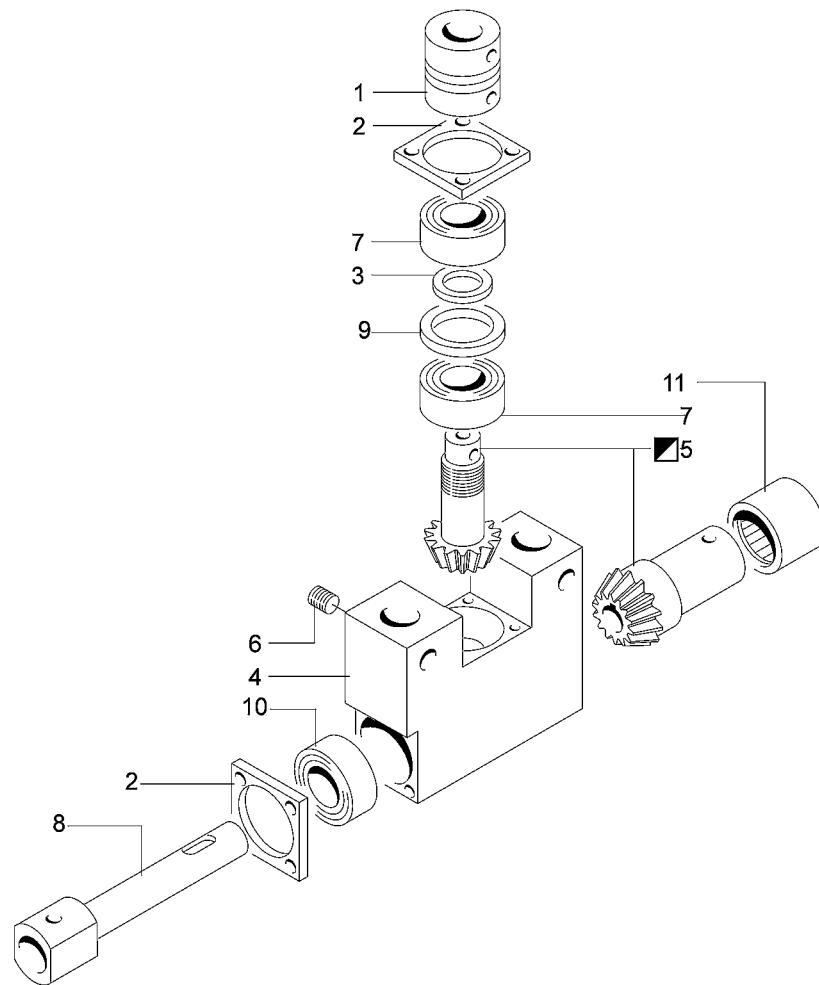




- 1 0801A0458
- 2 0807A0404
- 3 0820A0213
- 4 3401A0225 - De=300 Di=5..
- 4 3401A0226 - De=350 Di=5..

C0755A00 - AGGREGATE - 23449\_ALL - ROVER S 15-02-2008

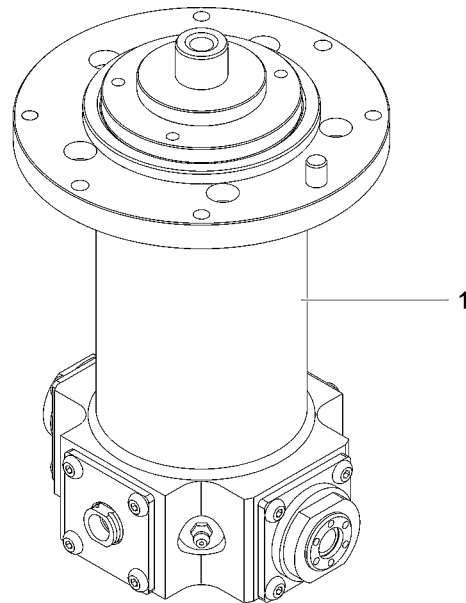
| POSITION | DRAWING/COMPONENT | DESCRIPTION                  |
|----------|-------------------|------------------------------|
| 1        | 0801A0458         | FLANGE                       |
| 2        | 0807A0404         | SHAFT                        |
| 3        | 0820A0213         | DOWEL                        |
| 4        | 3401A0225         | BLADE DE=300 DI=50 S3,2 Z=24 |
| 4        | 3401A0226         | BLADE DE=350 DI=50 S3,5 Z=28 |



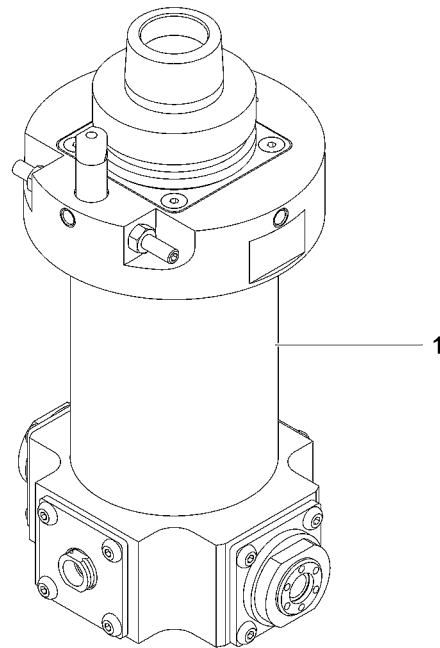
- |    |                           |
|----|---------------------------|
| 1  | 270704800 - W725-10-10X.. |
| 2  | 081485211                 |
| 3  | 080632400                 |
| 4  | 0905A1511                 |
| 5  | 1621A0155 - SX            |
| 5  | 1621A0154 - DX            |
| 6  | 112001000                 |
| 7  | 290102300 - 6001-2RS RI.. |
| 8  | 080731910 - DX            |
| 8  | 080732110 - SX            |
| 9  | 080632500                 |
| 10 | 290401600 - 12-28-12      |
| 11 | 290602000 - 22-28-14      |

## C0759A00 - HORIZONTAL BORING CHUCK - 23449\_ALL - ROVER S 15-02-2008

| POSITION | DRAWING/COMPONENT | DESCRIPTION              |
|----------|-------------------|--------------------------|
| 1        | 270704800         | JOINT W725-10-10XX SITME |
| 2        | 081485211         | PLATE                    |
| 3        | 080632400         | SPACER                   |
| 4        | 0905A1511         | SUPPORT                  |
| 5        | 1621A0155         | BEVEL GEAR SET SX        |
| 5        | 1621A0154         | BEVEL GEAR SET DX        |
| 6        | 112001000         | DOWEL                    |
| 7        | 290102300         | BEARING 6001-2RS RIV-SKF |
| 8        | 080731910         | SPINDLE DX               |
| 8        | 080732110         | SPINDLE SX               |
| 9        | 080632500         | SPACER                   |
| 10       | 290401600         | BEARING 12-28-12         |
| 11       | 290602000         | BEARING 22-28-14         |



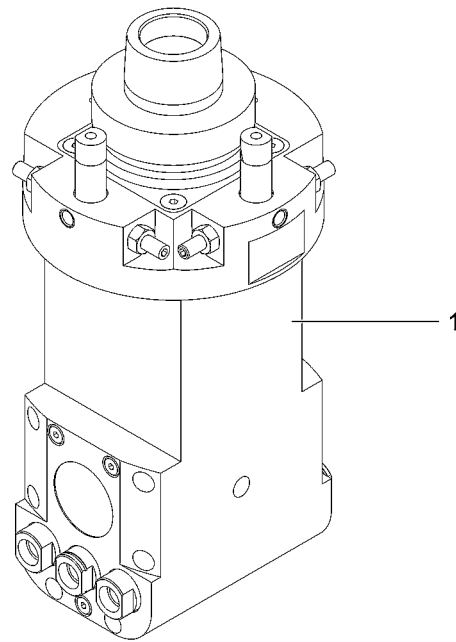
1 6314A0377



C0772A00 - AGGREGATE - 23449\_ALL - ROVER S 15-02-2008

| POSITION | DRAWING/COMPONENT | DESCRIPTION |
|----------|-------------------|-------------|
| 1        | 6314A0377         | AGGREGATE   |

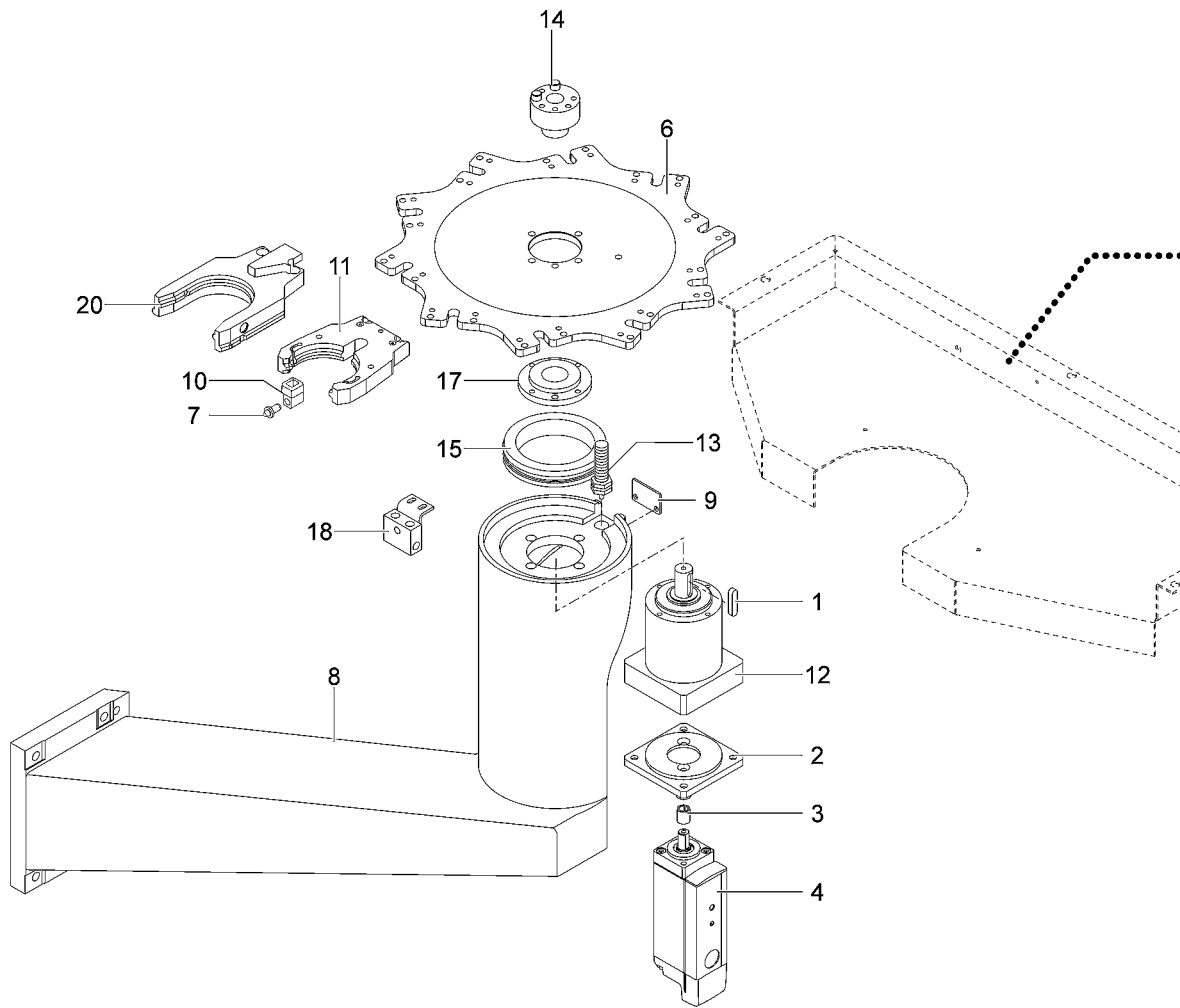
1 6314A0403





C0773A00 - AGGREGATE - 23449\_ALL - ROVER S 15-02-2008

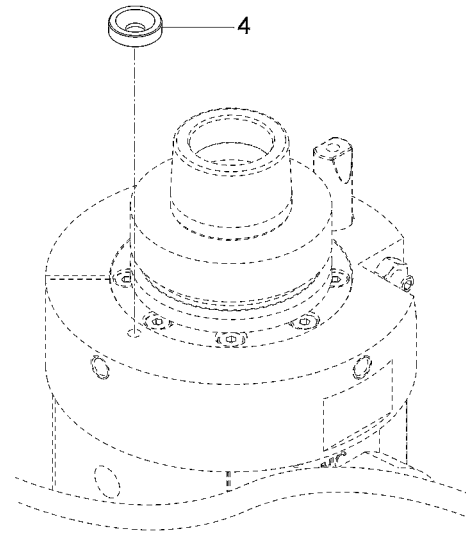
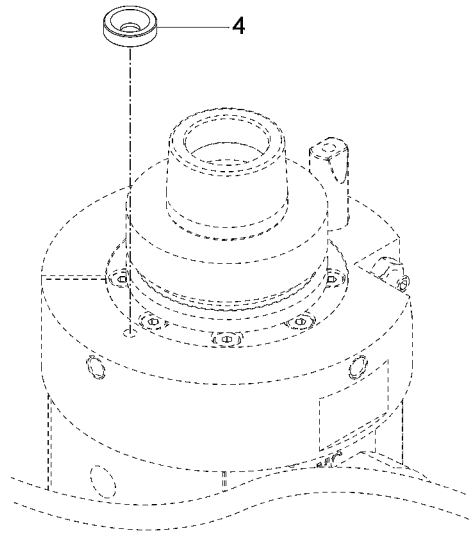
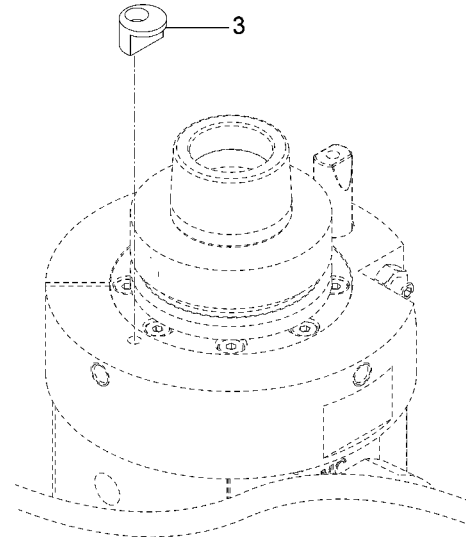
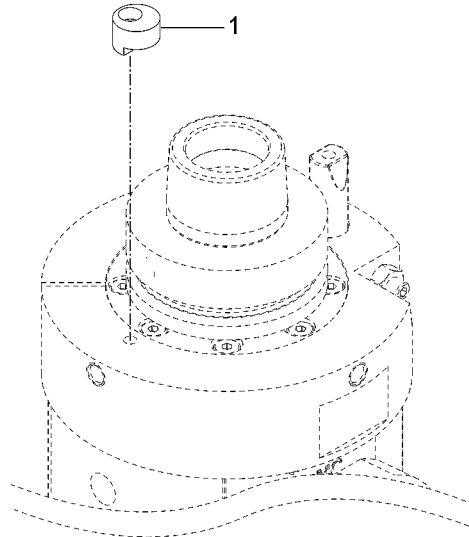
| POSITION | DRAWING/COMPONENT | DESCRIPTION |
|----------|-------------------|-------------|
| 1        | 6314A0403         | AGGREGATE   |

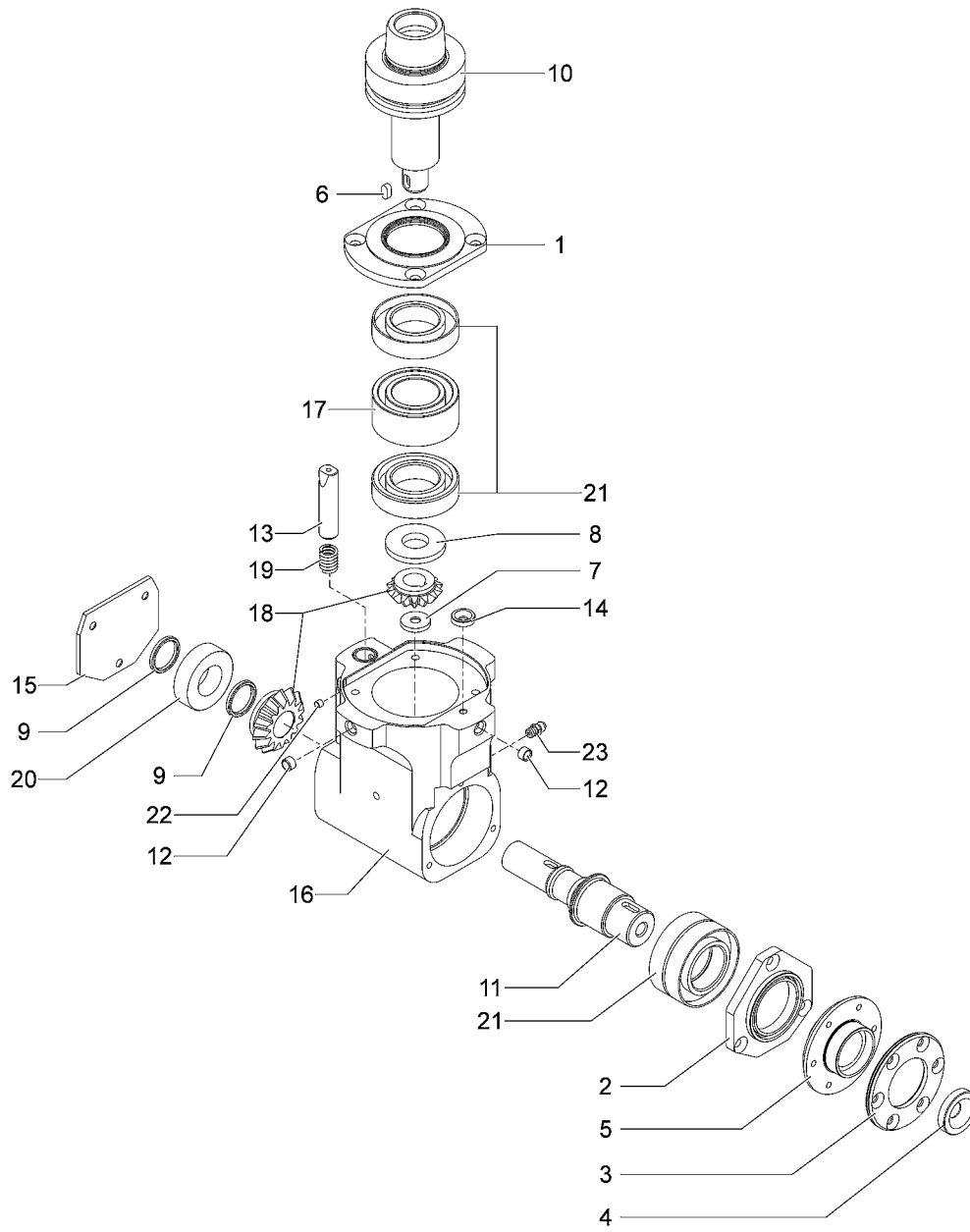


- 1 0804A0333
- 2 0914A0744
- 3 0801A0301
- 4 0102D137C5
- 6 0805A0276 - 10P
- 7 0820A0142
- 8 0905A1881
- 9 0908A0233
- 10 1414A0170 - HSK F63
- 11 C0518A01
- 12 2001A0450
- 13 2164A0359
- 14 270706500
- 15 2911A0068
- 17 0801A0348
- 18 N0333A00
- 18 N0377A00
- 20 B0415A00
- 21 1208A2510

## C0793A01 - REVOLVER TYPE TOOL MAGAZINE - 10P - 23449\_ALL - ROVER S 15-02-2008

| POSITION | DRAWING/COMPONENT | DESCRIPTION     |
|----------|-------------------|-----------------|
| 1        | 0804A0333         | FEATHER         |
| 2        | 0914A0744         | FLANGE          |
| 3        | 0801A0301         | RING            |
| 4        | 0102D137C5        | ELECTRIC MOTOR  |
| 6        | 0805A0276         | TOOL HOLDER 10P |
| 7        | 0820A0142         | DOWEL           |
| 8        | 0905A1881         | SUPPORT         |
| 9        | 0908A0233         | COVER           |
| 10       | 1414A0170         | SUPPORT HSK F63 |
| 11       | C0518A01          | TOOL HOLDER     |
| 12       | 2001A0450         | REDUCTION UNIT  |
| 13       | 2164A0359         | SENSOR          |
| 14       | 270706500         | KEYING DEVICE   |
| 15       | 2911A0068         | BEARING         |
| 17       | 0801A0348         | FLANGE          |
| 18       | N0333A00          | BLOWER          |
| 18       | N0377A00          | BLOWER          |
| 20       | B0415A00          | COLLET          |
| 21       | 1208A2510         | COVER           |

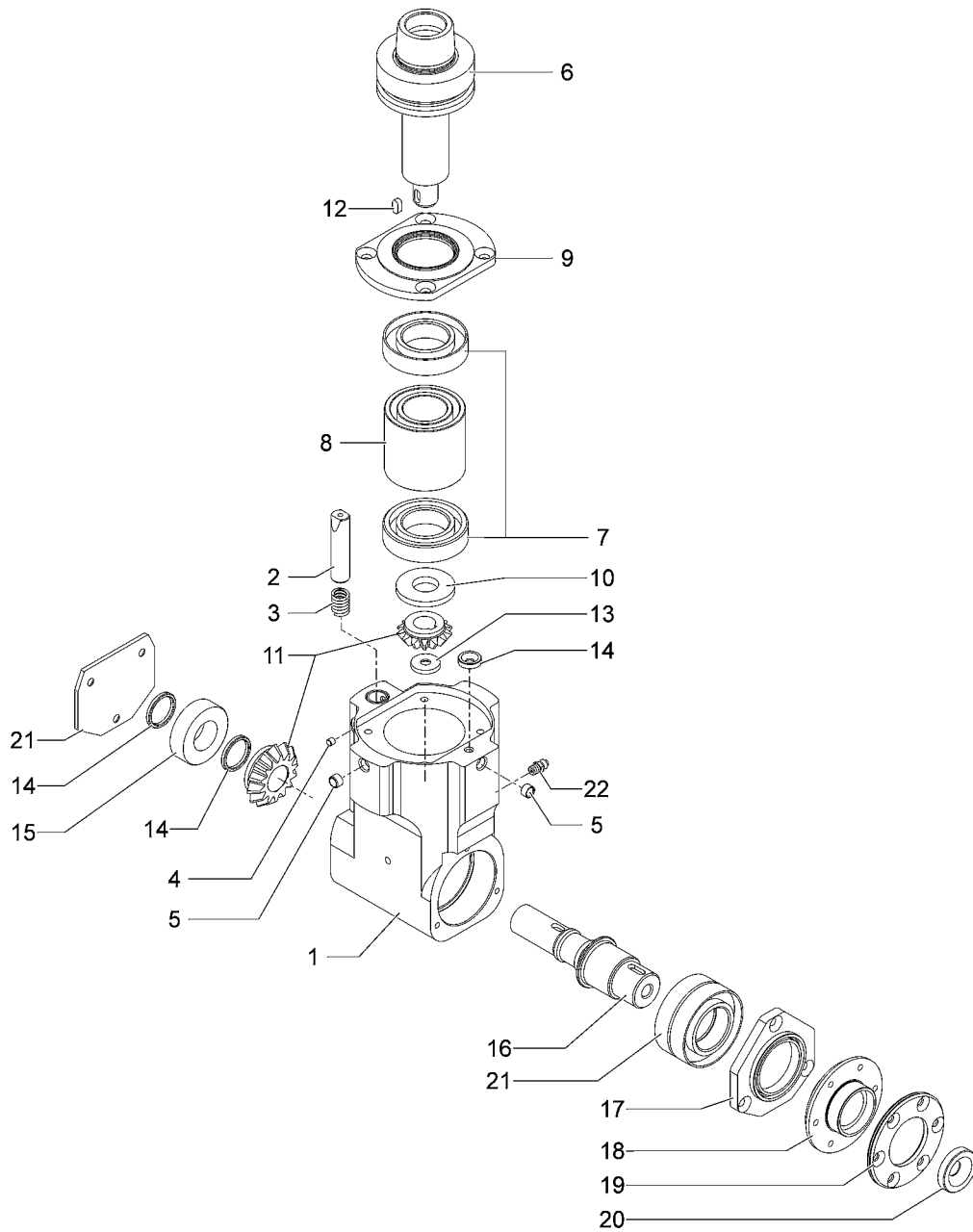




- 1 0801A0117
- 2 0801A0403
- 3 0801A0404
- 4 0804A0351
- 5 0801A0313
- 6 080487200 - 5X4X10
- 7 0804A0068
- 8 0806A0213
- 9 0806A0284
- 10 0807A0192 - HSK F63
- 11 0807A0406
- 12 081718600 - HSK
- 13 0820A0049 - ISO 30
- 14 0820C0025
- 15 0908A0270
- 16 1605A0106
- 17 1606A0023
- 18 162102501
- 19 280106700
- 20 290101000 - 6004-2RS RI..
- 21 2903A0005 - 30-55-13
- 22 112001000
- 23 260500700

C0816A00 - AGGREGATE - D=120-215 HSK F63 - 23449\_ALL - ROVER S 15-02-2008

| POSITION | DRAWING/COMPONENT | DESCRIPTION              |
|----------|-------------------|--------------------------|
| 1        | 0801A0117         | FLANGE                   |
| 2        | 0801A0403         | FLANGE                   |
| 3        | 0801A0404         | FLANGE                   |
| 4        | 0804A0351         | WASHER                   |
| 5        | 0801A0313         | FLANGE                   |
| 6        | 080487200         | FEATHER 5X4X10           |
| 7        | 0804A0068         | WASHER                   |
| 8        | 0806A0213         | SPACER                   |
| 9        | 0806A0284         | SPACER                   |
| 10       | 0807A0192         | SHAFT HSK F63            |
| 11       | 0807A0406         | SHAFT                    |
| 12       | 081718600         | BUSHING HSK              |
| 13       | 0820A0049         | PIN ISO 30               |
| 14       | 0820C0025         | PIN                      |
| 15       | 0908A0270         | COVER                    |
| 16       | 1605A0106         | SUPPORT                  |
| 17       | 1606A0023         | SPACER                   |
| 18       | 162102501         | BEVEL GEAR SET           |
| 19       | 280106700         | SPRING                   |
| 20       | 290101000         | BEARING 6004-2RS RIV-SKF |
| 21       | 2903A0005         | BEARING 30-55-13         |
| 22       | 112001000         | DOWEL                    |
| 23       | 260500700         | GREASING NIPPLE          |

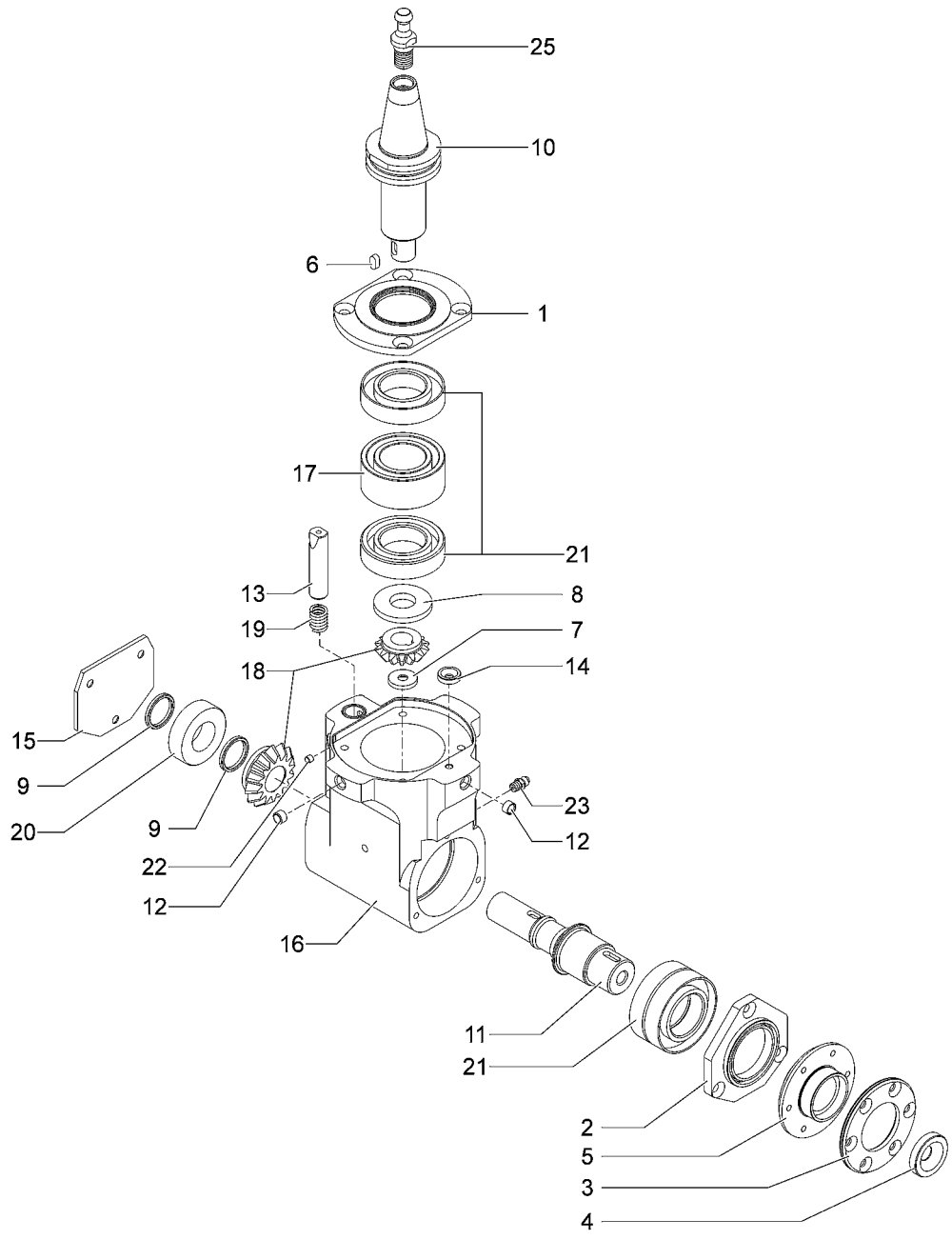


|    |                           |
|----|---------------------------|
| 1  | 1605A0034                 |
| 2  | 0820A0049 - ISO 30        |
| 3  | 280106700                 |
| 4  | 112001000                 |
| 5  | 081718600 - HSK           |
| 6  | 0807A0331                 |
| 7  | 2903A0005 - 30-55-13      |
| 8  | 1606A0037                 |
| 9  | 0801A0117                 |
| 10 | 0806A0213                 |
| 11 | 162102501                 |
| 12 | 080487200 - 5X4X10        |
| 13 | 0804A0068                 |
| 14 | 0806A0284                 |
| 15 | 290101000 - 6004-2RS RI.. |
| 16 | 0807A0406                 |
| 17 | 0801A0403                 |
| 18 | 0801A0402                 |
| 19 | 0801A0401                 |
| 20 | 0804A0351                 |
| 21 | 0908A0270                 |
| 22 | 260500700                 |

C0817A00 - AGGREGATE - D=180-270 HSK F63 - 23449\_ALL - ROVER S 15-02-2008

| POSITION | DRAWING/COMPONENT | DESCRIPTION              |
|----------|-------------------|--------------------------|
| 1        | 1605A0034         | SUPPORT                  |
| 2        | 0820A0049         | PIN ISO 30               |
| 3        | 280106700         | SPRING                   |
| 4        | 112001000         | DOWEL                    |
| 5        | 081718600         | BUSHING HSK              |
| 6        | 0807A0331         | SHAFT                    |
| 7        | 2903A0005         | BEARING 30-55-13         |
| 8        | 1606A0037         | SPACER                   |
| 9        | 0801A0117         | FLANGE                   |
| 10       | 0806A0213         | SPACER                   |
| 11       | 162102501         | BEVEL GEAR SET           |
| 12       | 080487200         | FEATHER 5X4X10           |
| 13       | 0804A0068         | WASHER                   |
| 14       | 0806A0284         | SPACER                   |
| 15       | 290101000         | BEARING 6004-2RS RIV-SKF |
| 16       | 0807A0406         | SHAFT                    |
| 17       | 0801A0403         | FLANGE                   |
| 18       | 0801A0402         | FLANGE                   |
| 19       | 0801A0401         | FLANGE                   |
| 20       | 0804A0351         | WASHER                   |
| 21       | 0908A0270         | COVER                    |
| 22       | 260500700         | GREASING NIPPLE          |





- 1 0801A0117
- 2 0801A0403
- 3 0801A0404
- 4 0804A0351
- 5 0801A0313
- 6 080487200 - 5X4X10
- 7 0804A0068
- 8 0806A0213
- 9 0806A0284
- 10 0807A0190 - D.180 mm
- 11 0807A0406
- 12 081718600 - HSK
- 13 0820A0049 - ISO 30
- 14 0820C0025
- 15 0908A0270
- 16 1605A0106
- 17 1606A0023
- 18 162102501
- 19 280106700
- 20 290101000 - 6004-2RS RI..
- 21 2903A0005 - 30-55-13
- 22 112001000
- 23 260500700
- 25 0804A0013 - ISO 30

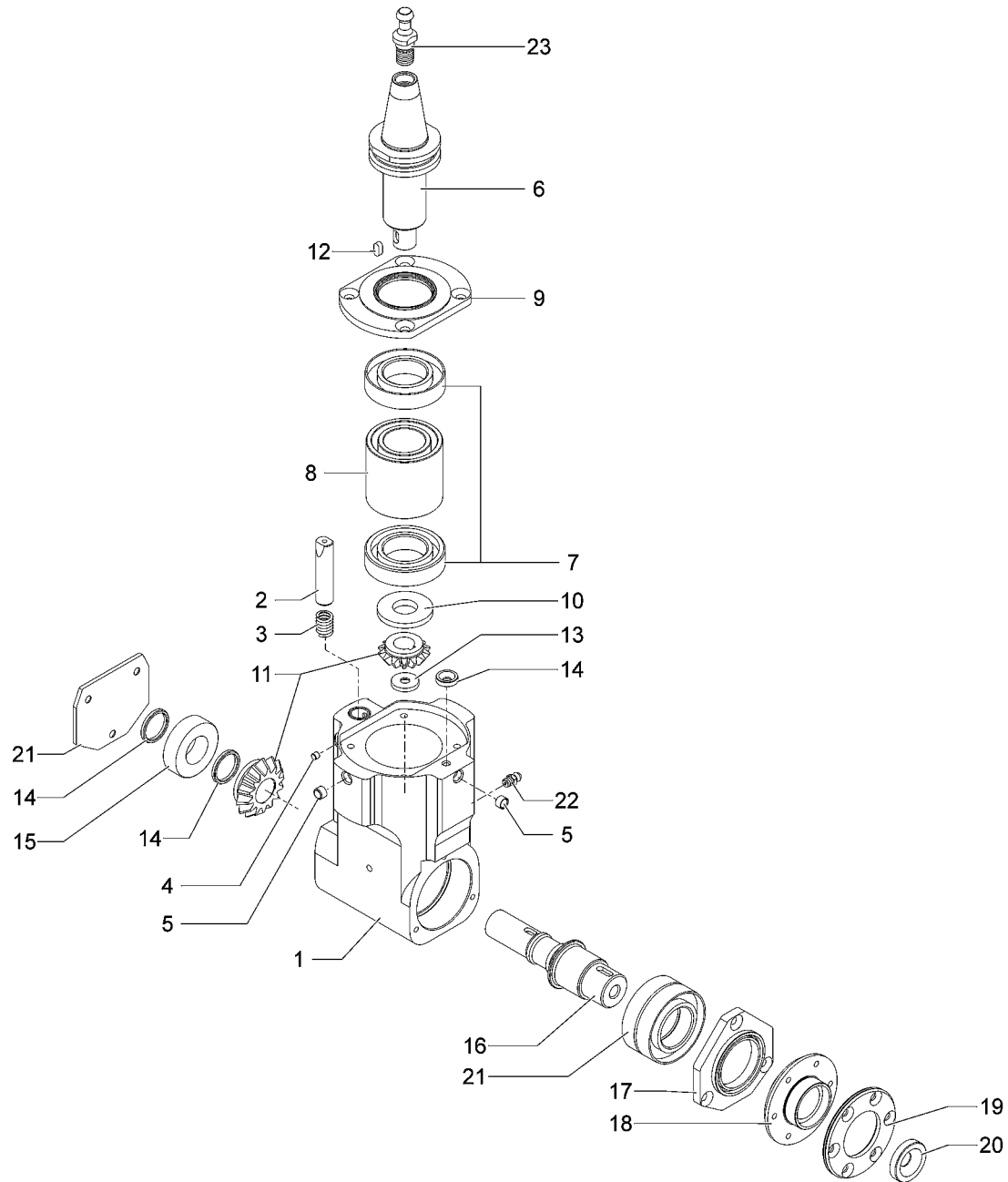


AGGREGATE - D=120-215 ISO 30 - 23449\_ALL - ROVER S 15-02-2008

**C0818 A**  
00

C0818A00 - AGGREGATE - D=120-215 ISO 30 - 23449\_ALL - ROVER S 15-02-2008

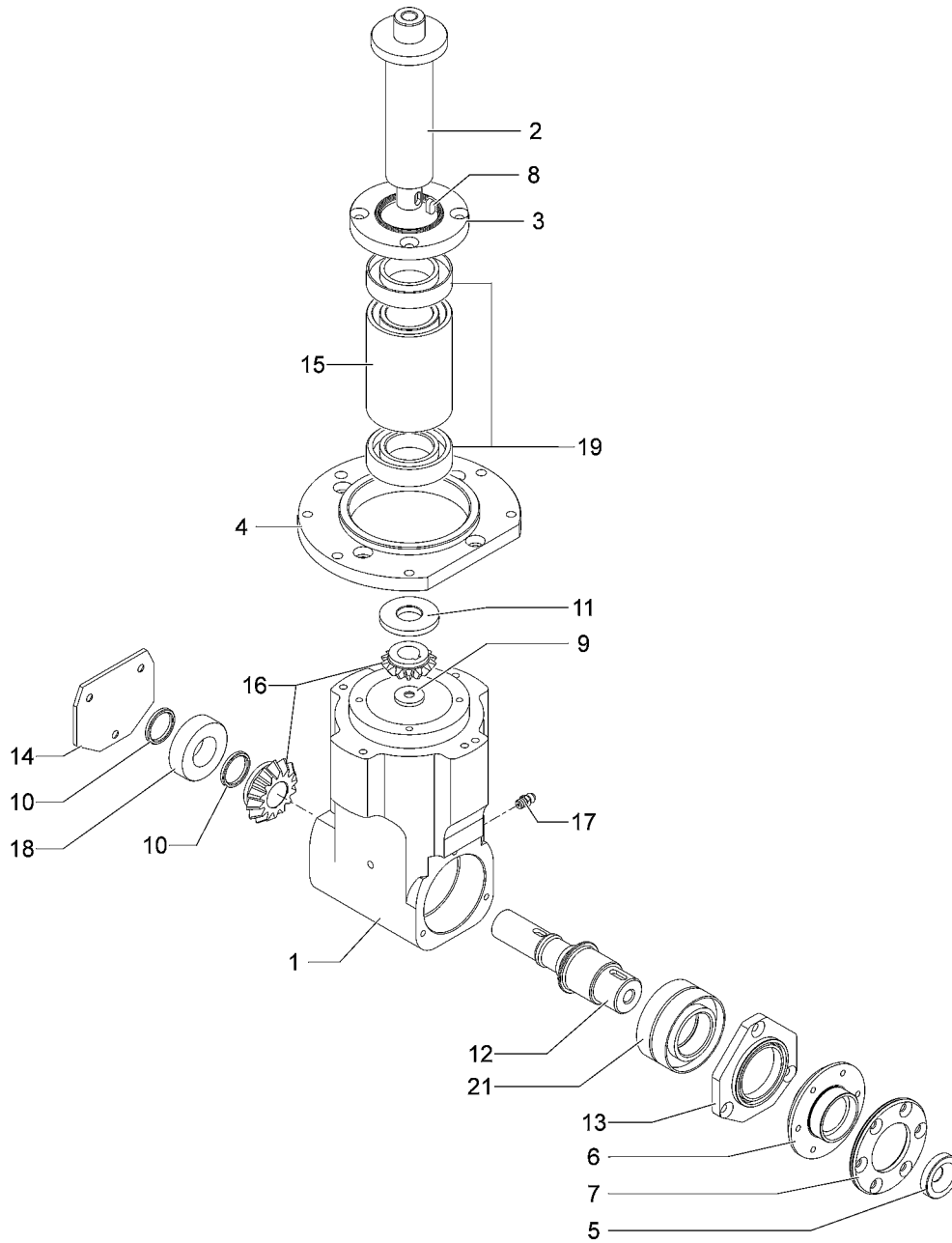
| POSITION | DRAWING/COMPONENT | DESCRIPTION              |
|----------|-------------------|--------------------------|
| 1        | 0801A0117         | FLANGE                   |
| 2        | 0801A0403         | FLANGE                   |
| 3        | 0801A0404         | FLANGE                   |
| 4        | 0804A0351         | WASHER                   |
| 5        | 0801A0313         | FLANGE                   |
| 6        | 080487200         | FEATHER 5X4X10           |
| 7        | 0804A0068         | WASHER                   |
| 8        | 0806A0213         | SPACER                   |
| 9        | 0806A0284         | SPACER                   |
| 10       | 0807A0190         | SHAFT D.180 MM           |
| 11       | 0807A0406         | SHAFT                    |
| 12       | 081718600         | BUSHING HSK              |
| 13       | 0820A0049         | PIN ISO 30               |
| 14       | 0820C0025         | PIN                      |
| 15       | 0908A0270         | COVER                    |
| 16       | 1605A0106         | SUPPORT                  |
| 17       | 1606A0023         | SPACER                   |
| 18       | 162102501         | BEVEL GEAR SET           |
| 19       | 280106700         | SPRING                   |
| 20       | 290101000         | BEARING 6004-2RS RIV-SKF |
| 21       | 2903A0005         | BEARING 30-55-13         |
| 22       | 112001000         | DOWEL                    |
| 23       | 260500700         | GREASING NIPPLE          |
| 25       | 0804A0013         | TIE ROD ISO 30           |

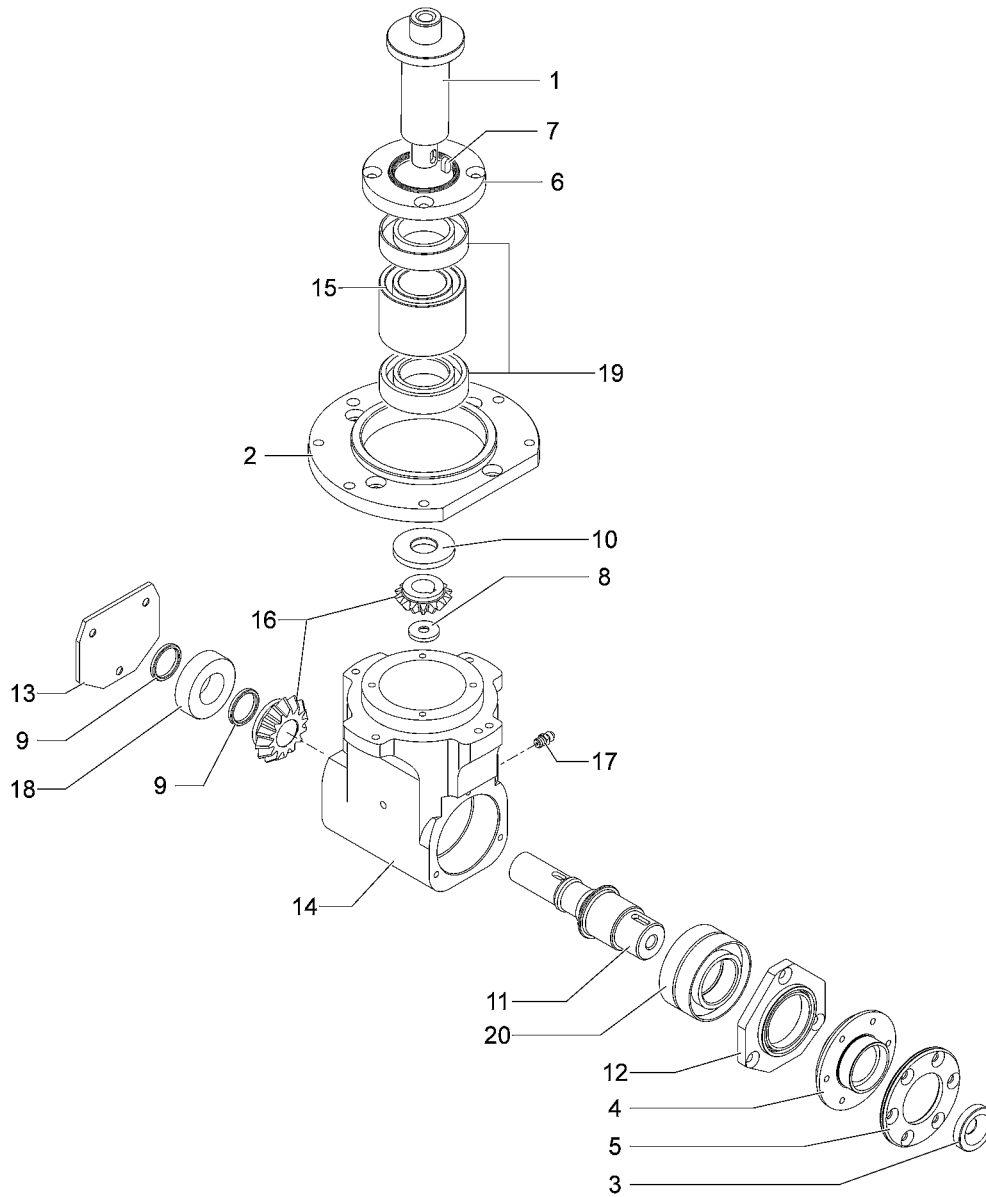


|    |                           |
|----|---------------------------|
| 1  | 1605A0034                 |
| 2  | 0820A0049 - ISO 30        |
| 3  | 280106700                 |
| 4  | 112001000                 |
| 5  | 081718600 - HSK           |
| 6  | 0807A0444                 |
| 7  | 2903A0005 - 30-55-13      |
| 8  | 1606A0037                 |
| 9  | 0801A0117                 |
| 10 | 0806A0213                 |
| 11 | 162102501                 |
| 12 | 080487200 - 5X4X10        |
| 13 | 0804A0068                 |
| 14 | 0806A0284                 |
| 15 | 290101000 - 6004-2RS RI.. |
| 16 | 0807A0406                 |
| 17 | 0801A0403                 |
| 18 | 0801A0402                 |
| 19 | 0801A0401                 |
| 20 | 0804A0351                 |
| 21 | 0908A0270                 |
| 22 | 260500700                 |
| 23 | 0804A0013 - ISO 30        |

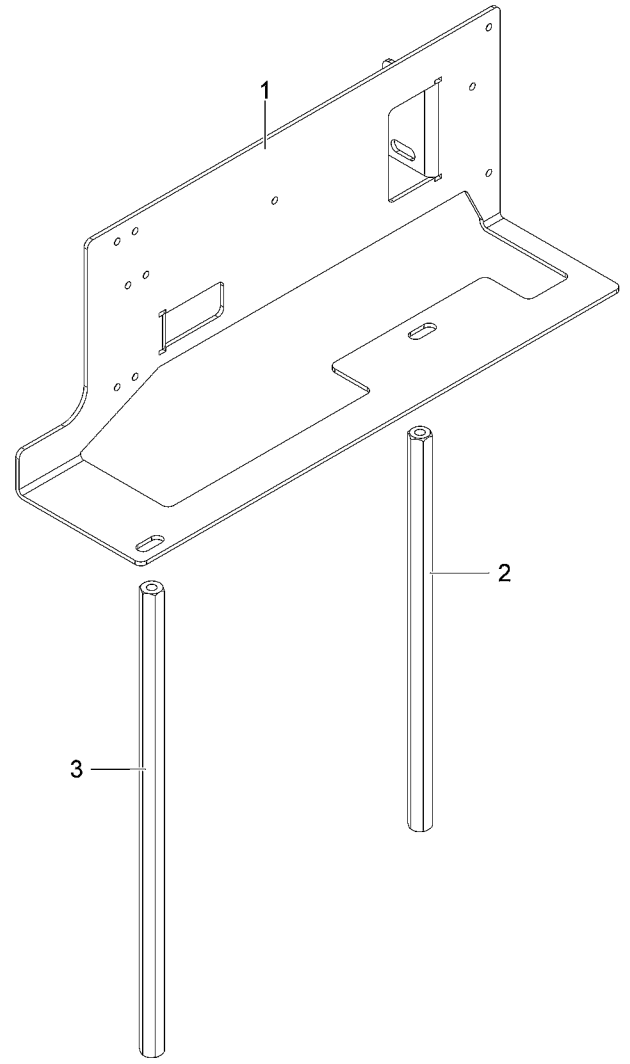
C0819A00 - AGGREGATE - D=180-270 ISO 30 - 23449\_ALL - ROVER S 15-02-2008

| POSITION | DRAWING/COMPONENT | DESCRIPTION              |
|----------|-------------------|--------------------------|
| 1        | 1605A0034         | SUPPORT                  |
| 2        | 0820A0049         | PIN ISO 30               |
| 3        | 280106700         | SPRING                   |
| 4        | 112001000         | DOWEL                    |
| 5        | 081718600         | BUSHING HSK              |
| 6        | 0807A0444         | SHAFT                    |
| 7        | 2903A0005         | BEARING 30-55-13         |
| 8        | 1606A0037         | SPACER                   |
| 9        | 0801A0117         | FLANGE                   |
| 10       | 0806A0213         | SPACER                   |
| 11       | 162102501         | BEVEL GEAR SET           |
| 12       | 080487200         | FEATHER 5X4X10           |
| 13       | 0804A0068         | WASHER                   |
| 14       | 0806A0284         | SPACER                   |
| 15       | 290101000         | BEARING 6004-2RS RIV-SKF |
| 16       | 0807A0406         | SHAFT                    |
| 17       | 0801A0403         | FLANGE                   |
| 18       | 0801A0402         | FLANGE                   |
| 19       | 0801A0401         | FLANGE                   |
| 20       | 0804A0351         | WASHER                   |
| 21       | 0908A0270         | COVER                    |
| 22       | 260500700         | GREASING NIPPLE          |
| 23       | 0804A0013         | TIE ROD ISO 30           |





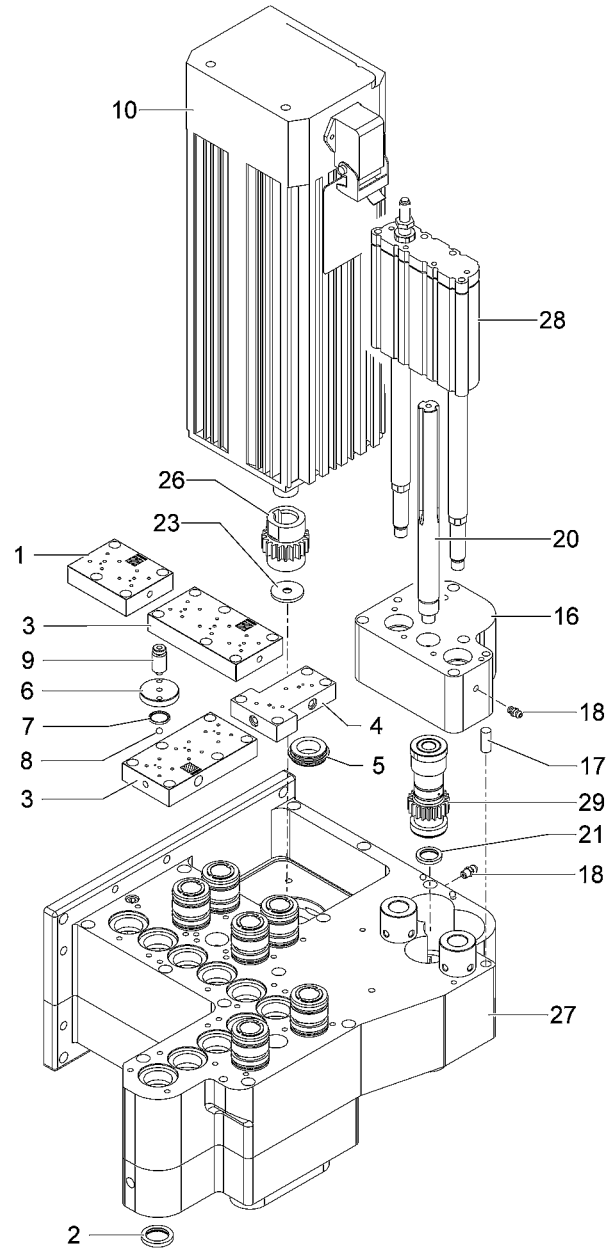
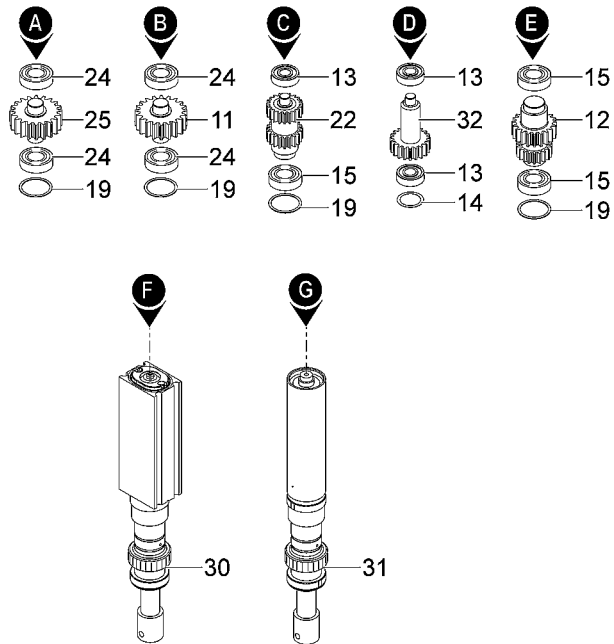
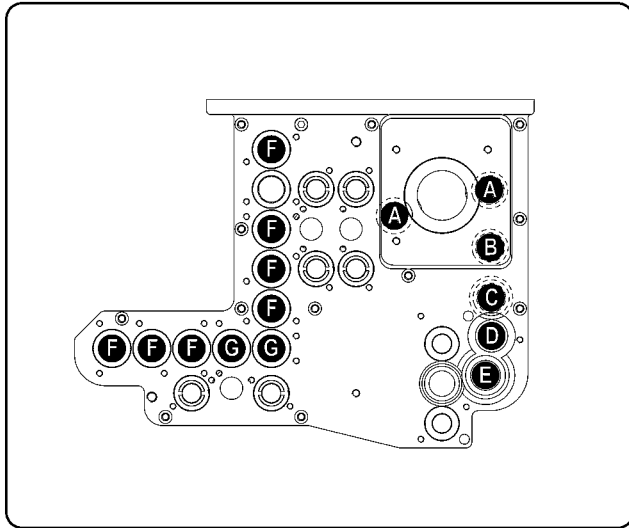
- 1 1214A1438
- 2 0805A0433
- 3 0805A0432



C0832A00 - SUPPORT - 23449\_ALL - ROVER S 15-02-2008

| POSITION | DRAWING/COMPONENT | DESCRIPTION |
|----------|-------------------|-------------|
| 1        | 1214A1438         | BRACKET     |
| 2        | 0805A0433         | SUPPORT     |
| 3        | 0805A0432         | SUPPORT     |





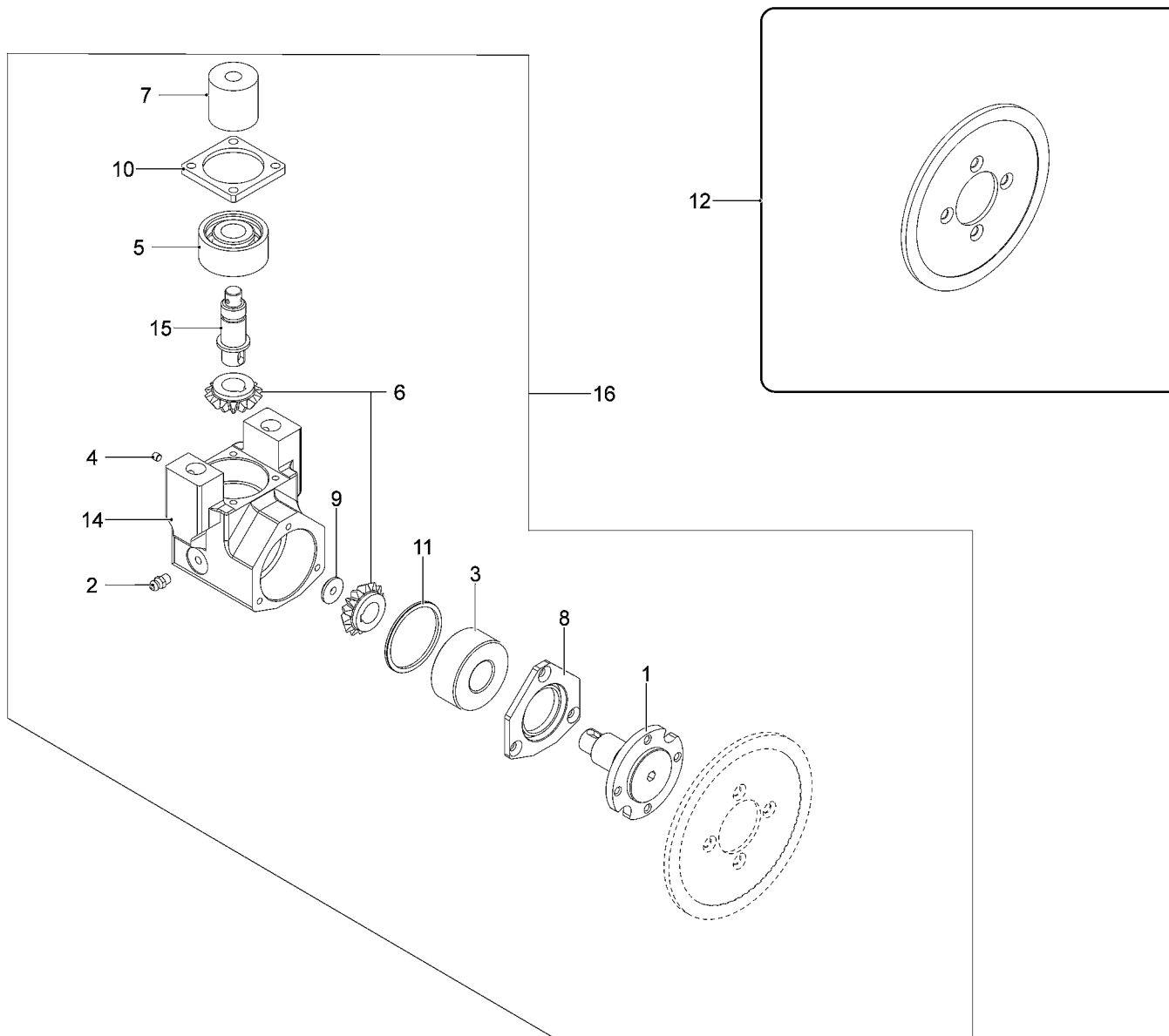
- 1 1413A0001
- 2 311402200 - G16X22X3
- 3 1413A0002 - L=96
- 4 0913A0113
- 5 0817A0059
- 6 0901A0156
- 7 311001400 - OR 2050
- 8 292100400
- 9 245100100 - D=4 F=M5
- 10 6410A0318
- 11 0821A0239
- 12 1721A0007
- 13 290101700 - 6000-2RSH
- 14 2807A0001
- 15 293000200
- 16 0908A0421
- 17 082001101 - 8X28
- 18 260500700
- 19 280700400
- 20 0807A0451
- 21 311300500
- 22 1721A0006
- 23 080450400
- 24 290102500 - 6002-2RS RI..
- 25 0821A0240
- 26 0821A0241
- 27 1612A0175
- 28 C0696A01
- 29 C0691A00
- 30 C0694A01
- 31 C0695A00

## C0833A00 - BORING UNIT - 23449\_ALL - ROVER S 15-02-2008

| POSITION | DRAWING/COMPONENT | DESCRIPTION              |
|----------|-------------------|--------------------------|
| 1        | 1413A0001         | DISTRIBUTOR              |
| 2        | 311402200         | RING G16X22X3            |
| 3        | 1413A0002         | DISTRIBUTOR L=96         |
| 4        | 0913A0113         | DISTRIBUTOR              |
| 5        | 0817A0059         | BUSHING                  |
| 6        | 0901A0156         | FLANGE                   |
| 7        | 311001400         | RING OR 2050             |
| 8        | 292100400         | BALL                     |
| 9        | 245100100         | CONNECTOR D=4 F=M5       |
| 10       | 6410A0318         | MOTOR                    |
| 11       | 0821A0239         | GEAR                     |
| 12       | 1721A0007         | GEAR                     |
| 13       | 290101700         | BEARING 6000-2RSH        |
| 14       | 2807A0001         | RING                     |
| 15       | 293000200         | BEARING                  |
| 16       | 0908A0421         | COVER                    |
| 17       | 082001101         | DOWEL 8X28               |
| 18       | 260500700         | GREASING NIPPLE          |
| 19       | 280700400         | RING                     |
| 20       | 0807A0451         | SPINDLE                  |
| 21       | 311300500         | SEAL RING                |
| 22       | 1721A0006         | GEAR                     |
| 23       | 080450400         | WASHER                   |
| 24       | 290102500         | BEARING 6002-2RS RIV-SKF |
| 25       | 0821A0240         | GEAR                     |
| 26       | 0821A0241         | GEAR WHEEL               |
| 27       | 1612A0175         | BORING HEAD ASSEMBLY     |
| 28       | C0696A01          | SLIDING UNIT             |
| 29       | C0691A00          | GEAR WHEEL               |

C0833A00 - BORING UNIT - 23449\_ALL - ROVER S 15-02-2008

| POSITION | DRAWING/COMPONENT | DESCRIPTION |
|----------|-------------------|-------------|
| 30       | C0694A01          | SPINDLE     |
| 31       | C0695A00          | SPINDLE     |

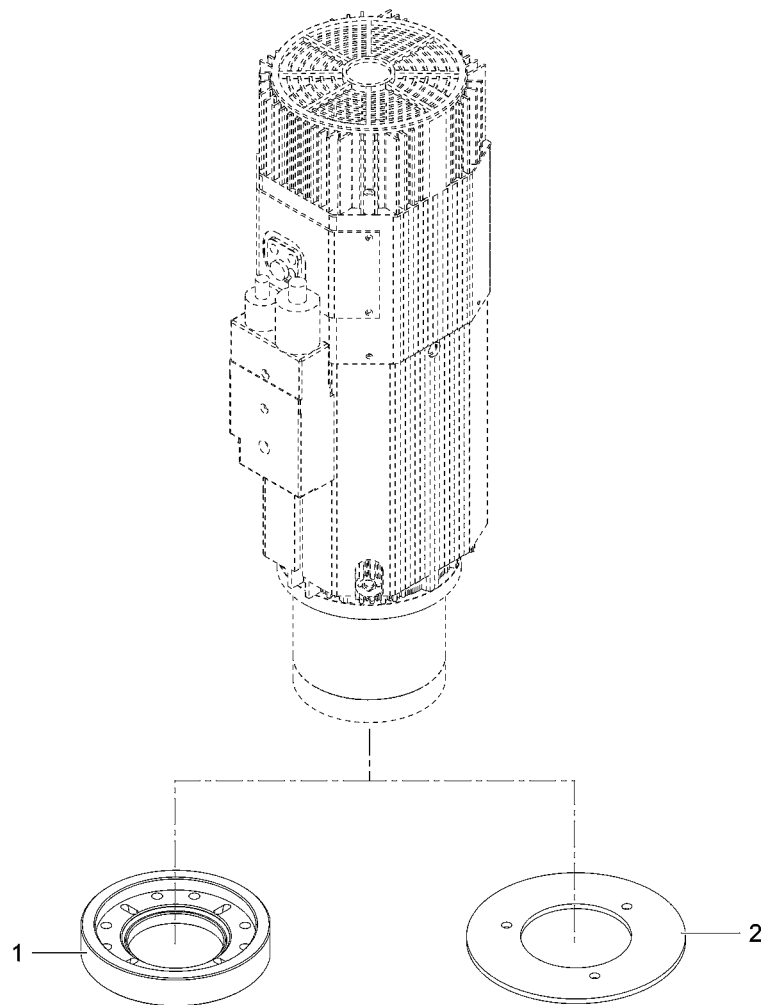


- 1 0807A0470
- 2 260500700
- 3 290401500 - 20-47-20,6
- 4 1120A0012
- 5 290402400 - 15-42-19
- 6 162100801
- 7 2707A0009 - W7 30-10-10..
- 8 090840100
- 9 0804A0017
- 10 080123300
- 11 0806A0014
- 12 C0681A01
- 14 0905A1676
- 15 080755100
- 16 6314A0510

C0834A00 - MILLING CUTTER - 23449\_ALL - ROVER S 15-02-2008

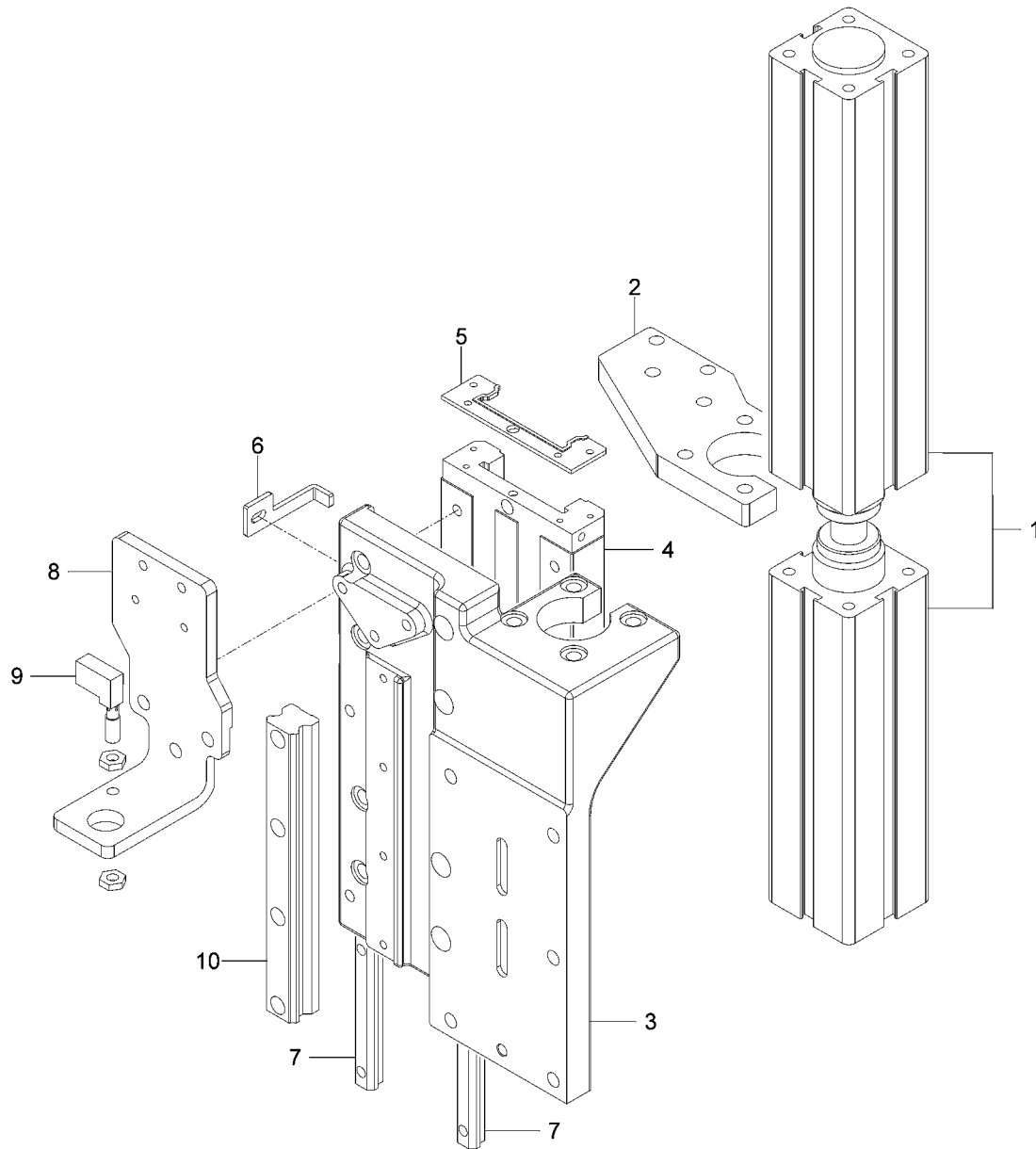
| POSITION | DRAWING/COMPONENT | DESCRIPTION                |
|----------|-------------------|----------------------------|
| 1        | 0807A0470         | SHAFT                      |
| 2        | 260500700         | GREASING NIPPLE            |
| 3        | 290401500         | BEARING 20-47-20,6         |
| 4        | 1120A0012         | DOWEL                      |
| 5        | 290402400         | BEARING 15-42-19           |
| 6        | 162100801         | BEVEL GEAR SET             |
| 7        | 2707A0009         | JOINT W7 30-10-10 HELY-CAL |
| 8        | 090840100         | PLATE                      |
| 9        | 0804A0017         | WASHER                     |
| 10       | 080123300         | FLANGE                     |
| 11       | 0806A0014         | SPACER                     |
| 12       | C0681A01          | MILLING CUTTER             |
| 14       | 0905A1676         | SUPPORT                    |
| 15       | 080755100         | SHAFT                      |
| 16       | 6314A0510         | MILLING CUTTER             |

1 0801A0414  
2 1201A0040



C0835A00 - FLANGE - 23449\_ALL - ROVER S 15-02-2008

| POSITION | DRAWING/COMPONENT | DESCRIPTION               |
|----------|-------------------|---------------------------|
| 1        | 0801A0414         | FLANGE FOR ELECTROSPINDLE |
| 2        | 1201A0040         | FLANGE                    |

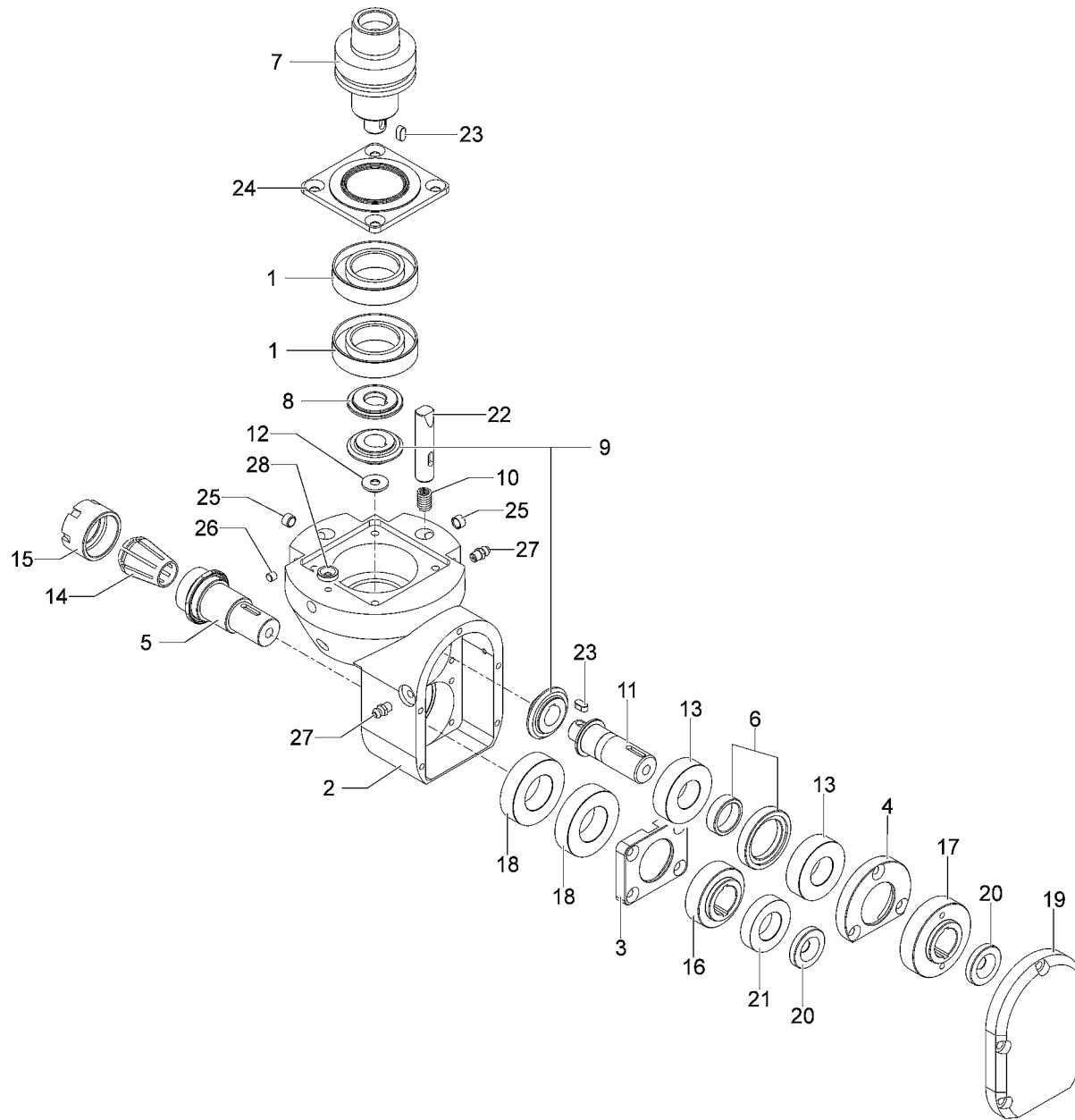


- 1 2420A1608
- 2 0805A0431
- 3 0914A0946
- 4 2914A1058
- 5 3120A0020
- 6 1214A1477
- 7 0804A0146
- 8 1305A0516
- 9 2164A0355
- 10 2914A1293



C0836A01 - SLIDE - 23449\_ALL - ROVER S 15-02-2008

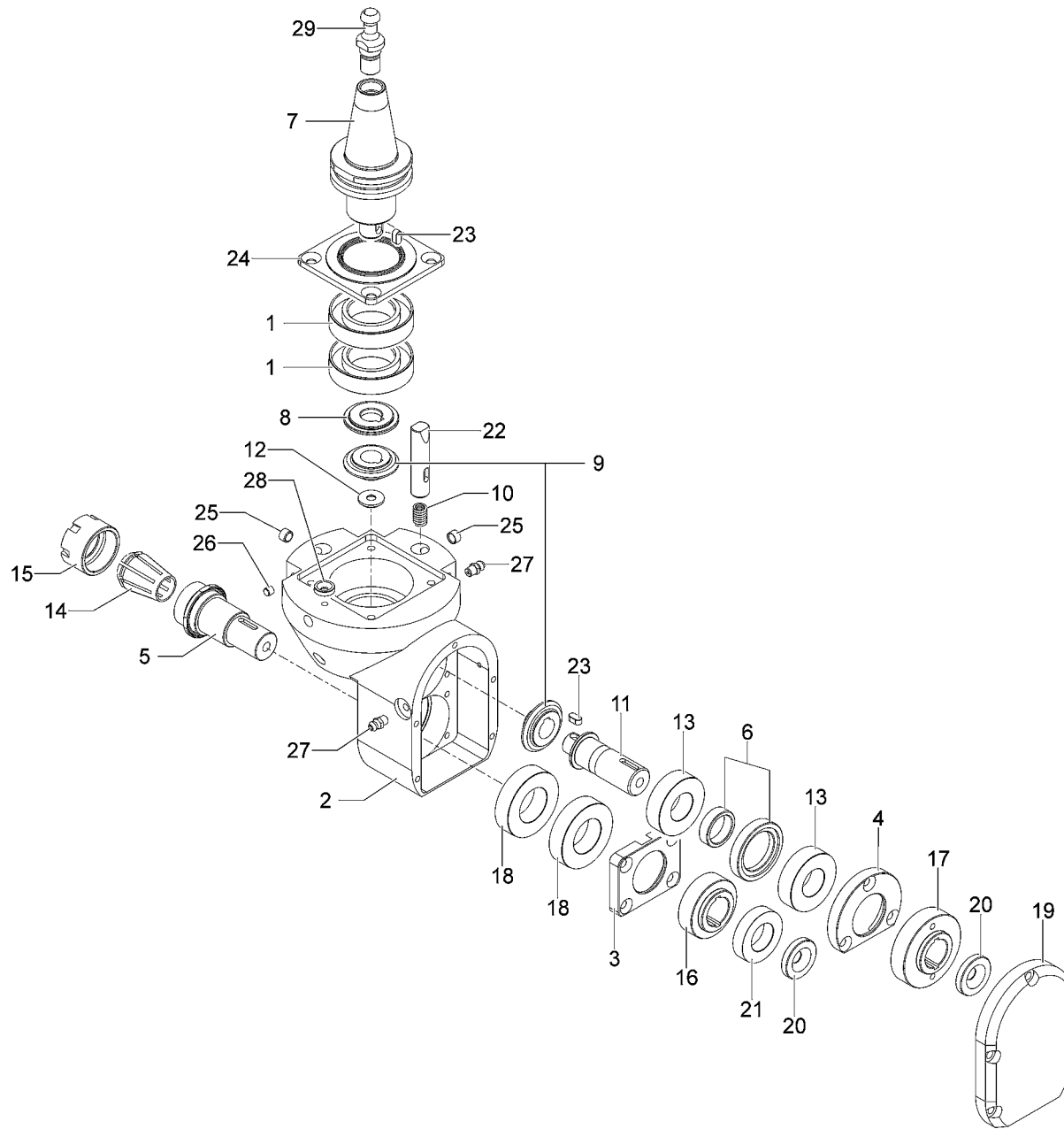
| POSITION | DRAWING/COMPONENT | DESCRIPTION |
|----------|-------------------|-------------|
| 1        | 2420A1608         | CYLINDER    |
| 2        | 0805A0431         | SUPPORT     |
| 3        | 0914A0946         | PLATE       |
| 4        | 2914A1058         | SLIDE BLOCK |
| 5        | 3120A0020         | RASCHIATORE |
| 6        | 1214A1477         | PLATE       |
| 7        | 0804A0146         | BAR         |
| 8        | 1305A0516         | SUPPORT     |
| 9        | 2164A0355         | SENSOR      |
| 10       | 2914A1293         | GUIDE       |



|    |                      |
|----|----------------------|
| 1  | 2903A0005 - 30-55-13 |
| 2  | 0905A1907            |
| 3  | 0817A0506            |
| 4  | 0817A0505            |
| 5  | 0807A0487            |
| 6  | 1606A0092            |
| 7  | 0807A0484            |
| 8  | 0806A0532            |
| 9  | 1621A0156            |
| 10 | 2801A0008            |
| 11 | 0807A0485            |
| 12 | 0804A0052            |
| 13 | 2903A0007 - 20-42-12 |
| 14 | 340702200            |
| 15 | 340702000 - M30 DX   |
| 16 | 0821A0257            |
| 17 | 0821A0256            |
| 18 | 290304100            |
| 19 | 0908A0427            |
| 20 | 080483400            |
| 21 | 2903A0031            |
| 22 | 0820A0114            |
| 23 | 080487200 - 5X4X10   |
| 24 | 0801A0504            |
| 25 | 081718600 - HSK      |
| 26 | 112001000            |
| 27 | 260500700            |
| 28 | 0820C0025            |

C0837A00 - AGGREGATE - HSK F63 - 23449\_ALL - ROVER S 15-02-2008

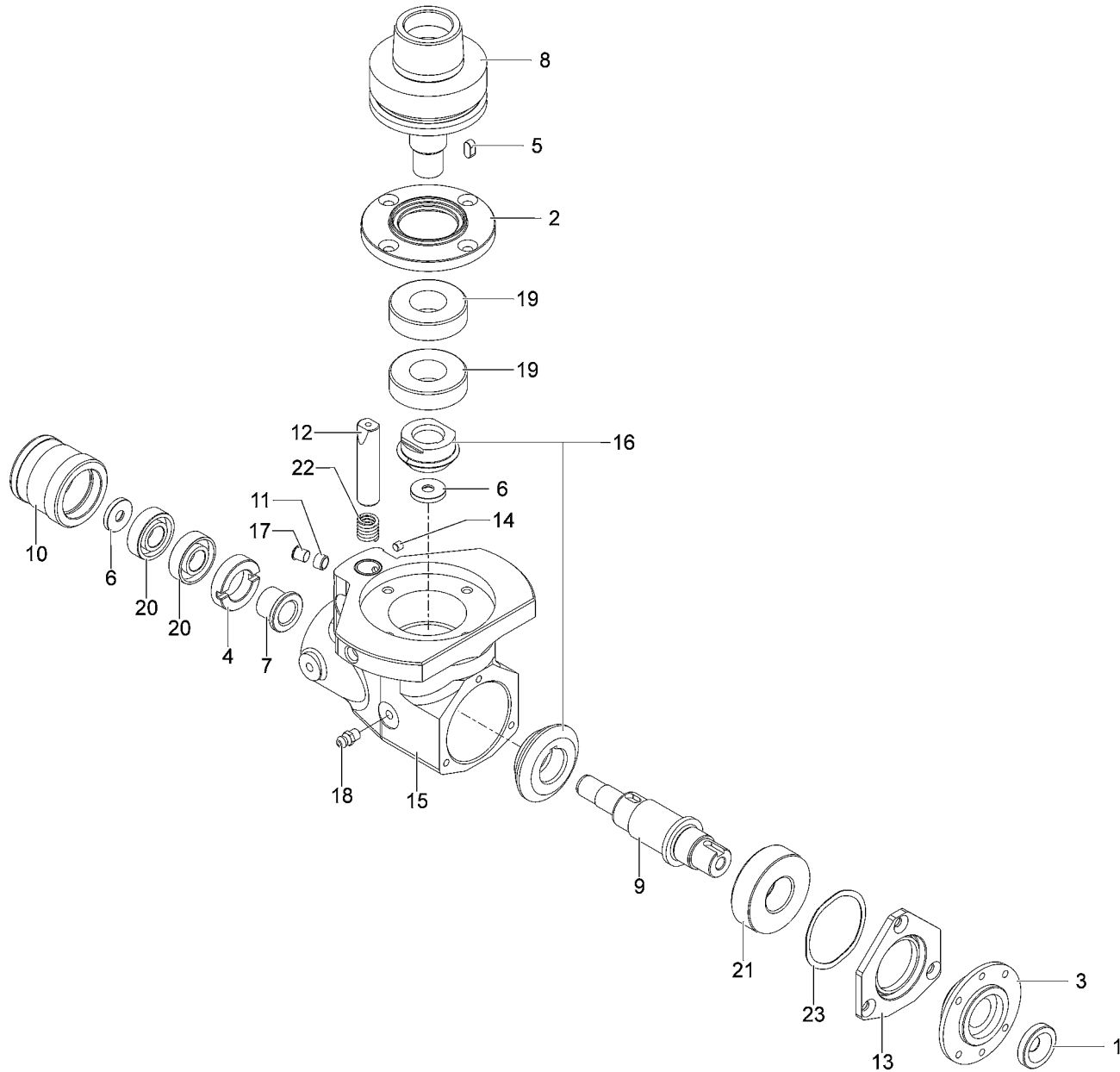
| POSITION | DRAWING/COMPONENT | DESCRIPTION      |
|----------|-------------------|------------------|
| 1        | 2903A0005         | BEARING 30-55-13 |
| 2        | 0905A1907         | SUPPORT          |
| 3        | 0817A0506         | FLANGE           |
| 4        | 0817A0505         | FLANGE           |
| 5        | 0807A0487         | SHAFT            |
| 6        | 1606A0092         | SPACER           |
| 7        | 0807A0484         | SHAFT            |
| 8        | 0806A0532         | SPACER           |
| 9        | 1621A0156         | BEVEL GEAR SET   |
| 10       | 2801A0008         | SPRING           |
| 11       | 0807A0485         | SHAFT            |
| 12       | 0804A0052         | WASHER           |
| 13       | 2903A0007         | BEARING 20-42-12 |
| 14       | 340702200         | ELASTIC COLLET   |
| 15       | 340702000         | NUT M30 DX       |
| 16       | 0821A0257         | GEAR             |
| 17       | 0821A0256         | GEAR             |
| 18       | 290304100         | BEARING          |
| 19       | 0908A0427         | COVER            |
| 20       | 080483400         | WASHER           |
| 21       | 2903A0031         | BEARING          |
| 22       | 0820A0114         | ANTIROTATION PIN |
| 23       | 080487200         | FEATHER 5X4X10   |
| 24       | 0801A0504         | FLANGE           |
| 25       | 081718600         | BUSHING HSK      |
| 26       | 112001000         | DOWEL            |
| 27       | 260500700         | GREASING NIPPLE  |
| 28       | 0820C0025         | PIN              |



|    |                      |
|----|----------------------|
| 1  | 2903A0005 - 30-55-13 |
| 2  | 0905A1907            |
| 3  | 0817A0506            |
| 4  | 0817A0505            |
| 5  | 0807A0487            |
| 6  | 1606A0092            |
| 7  | 0807A0489            |
| 8  | 0806A0532            |
| 9  | 1621A0156            |
| 10 | 2801A0008            |
| 11 | 0807A0485            |
| 12 | 0804A0052            |
| 13 | 2903A0007 - 20-42-12 |
| 14 | 340702200            |
| 15 | 340702000 - M30 DX   |
| 16 | 0821A0257            |
| 17 | 0821A0256            |
| 18 | 290304100            |
| 19 | 0908A0427            |
| 20 | 080483400            |
| 21 | 2903A0031            |
| 22 | 0820A0114            |
| 23 | 080487200 - 5X4X10   |
| 24 | 0801A0504            |
| 25 | 081718600 - HSK      |
| 26 | 112001000            |
| 27 | 260500700            |
| 28 | 0820C0025            |
| 29 | 0804A0013 - ISO 30   |

C0838A00 - AGGREGATE - ISO 30 - 23449\_ALL - ROVER S 15-02-2008

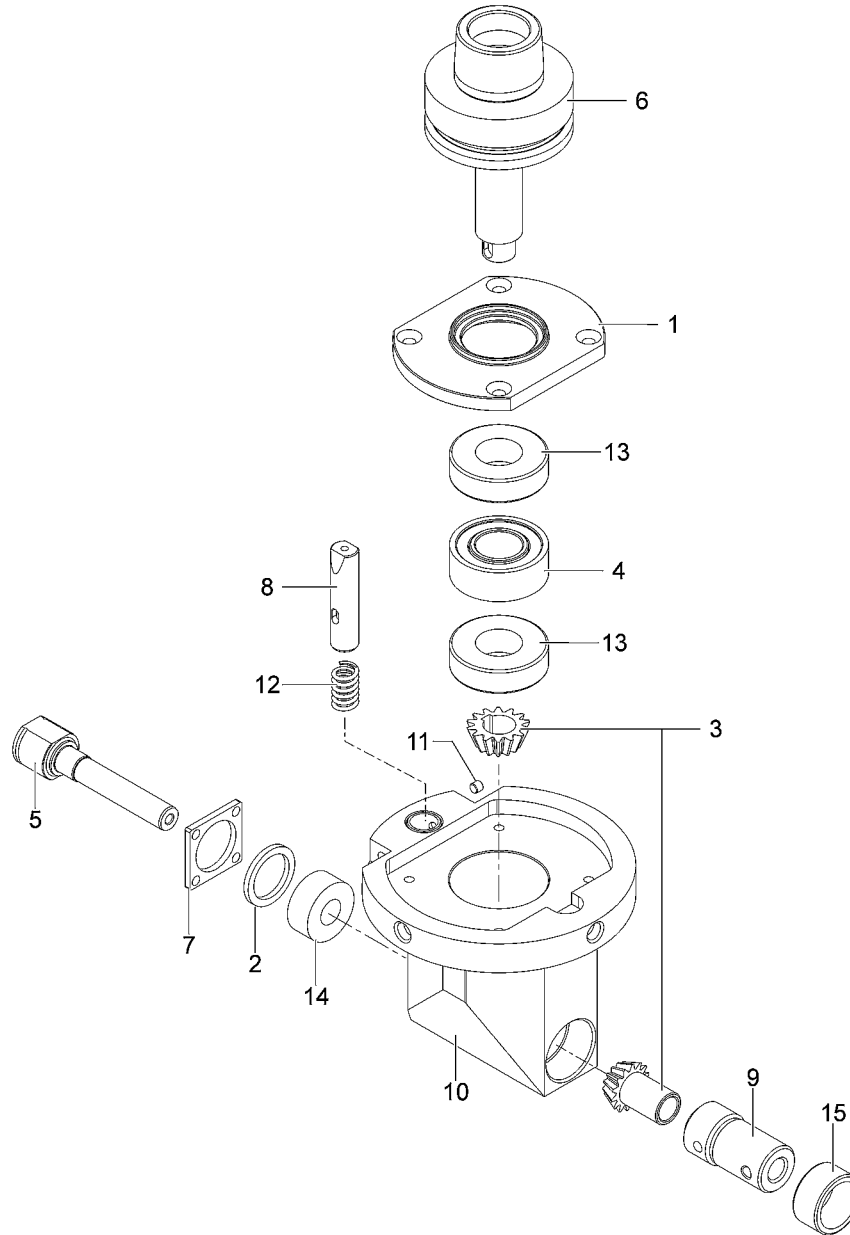
| POSITION | DRAWING/COMPONENT | DESCRIPTION      |
|----------|-------------------|------------------|
| 1        | 2903A0005         | BEARING 30-55-13 |
| 2        | 0905A1907         | SUPPORT          |
| 3        | 0817A0506         | FLANGE           |
| 4        | 0817A0505         | FLANGE           |
| 5        | 0807A0487         | SHAFT            |
| 6        | 1606A0092         | SPACER           |
| 7        | 0807A0489         | SHAFT            |
| 8        | 0806A0532         | SPACER           |
| 9        | 1621A0156         | BEVEL GEAR SET   |
| 10       | 2801A0008         | SPRING           |
| 11       | 0807A0485         | SHAFT            |
| 12       | 0804A0052         | WASHER           |
| 13       | 2903A0007         | BEARING 20-42-12 |
| 14       | 340702200         | ELASTIC COLLET   |
| 15       | 340702000         | NUT M30 DX       |
| 16       | 0821A0257         | GEAR             |
| 17       | 0821A0256         | GEAR             |
| 18       | 290304100         | BEARING          |
| 19       | 0908A0427         | COVER            |
| 20       | 080483400         | WASHER           |
| 21       | 2903A0031         | BEARING          |
| 22       | 0820A0114         | ANTIROTATION PIN |
| 23       | 080487200         | FEATHER 5X4X10   |
| 24       | 0801A0504         | FLANGE           |
| 25       | 081718600         | BUSHING HSK      |
| 26       | 112001000         | DOWEL            |
| 27       | 260500700         | GREASING NIPPLE  |
| 28       | 0820C0025         | PIN              |
| 29       | 0804A0013         | TIE ROD ISO 30   |



- 1 0804A0273
- 2 080122000
- 3 0801A0317
- 4 080460711
- 5 080487200 - 5X4X10
- 6 0804A0068
- 7 0806A0032
- 8 0807A0473
- 9 0807A0335
- 10 081716101
- 11 081718600 - HSK
- 12 0820A0049 - ISO 30
- 13 090840100
- 14 112001000
- 15 1605A0007
- 16 162102501
- 17 240323000 - D=6.4
- 18 260500700
- 19 290304800 - 20-42-12
- 20 290304900 - 12-28-8
- 21 290305000 - 20-47-14
- 22 280106700
- 23 280701000

C0839A00 - AGGREGATE - HSK F63 - 23449\_ALL - ROVER S 15-02-2008

| POSITION | DRAWING/COMPONENT | DESCRIPTION      |
|----------|-------------------|------------------|
| 1        | 0804A0273         | WASHER           |
| 2        | 080122000         | FLANGE           |
| 3        | 0801A0317         | FLANGE           |
| 4        | 080460711         | RING NUT         |
| 5        | 080487200         | FEATHER 5X4X10   |
| 6        | 0804A0068         | WASHER           |
| 7        | 0806A0032         | SPACER           |
| 8        | 0807A0473         | SHAFT            |
| 9        | 0807A0335         | SHAFT            |
| 10       | 081716101         | BUSHING          |
| 11       | 081718600         | BUSHING HSK      |
| 12       | 0820A0049         | PIN ISO 30       |
| 13       | 090840100         | PLATE            |
| 14       | 112001000         | DOWEL            |
| 15       | 1605A0007         | SUPPORT          |
| 16       | 162102501         | BEVEL GEAR SET   |
| 17       | 240323000         | PLUG D=6.4       |
| 18       | 260500700         | GREASING NIPPLE  |
| 19       | 290304800         | BEARING 20-42-12 |
| 20       | 290304900         | BEARING 12-28-8  |
| 21       | 290305000         | BEARING 20-47-14 |
| 22       | 280106700         | SPRING           |
| 23       | 280701000         | RING             |

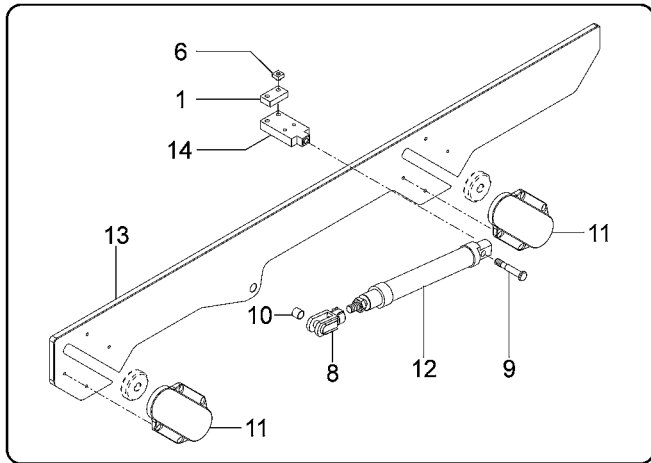
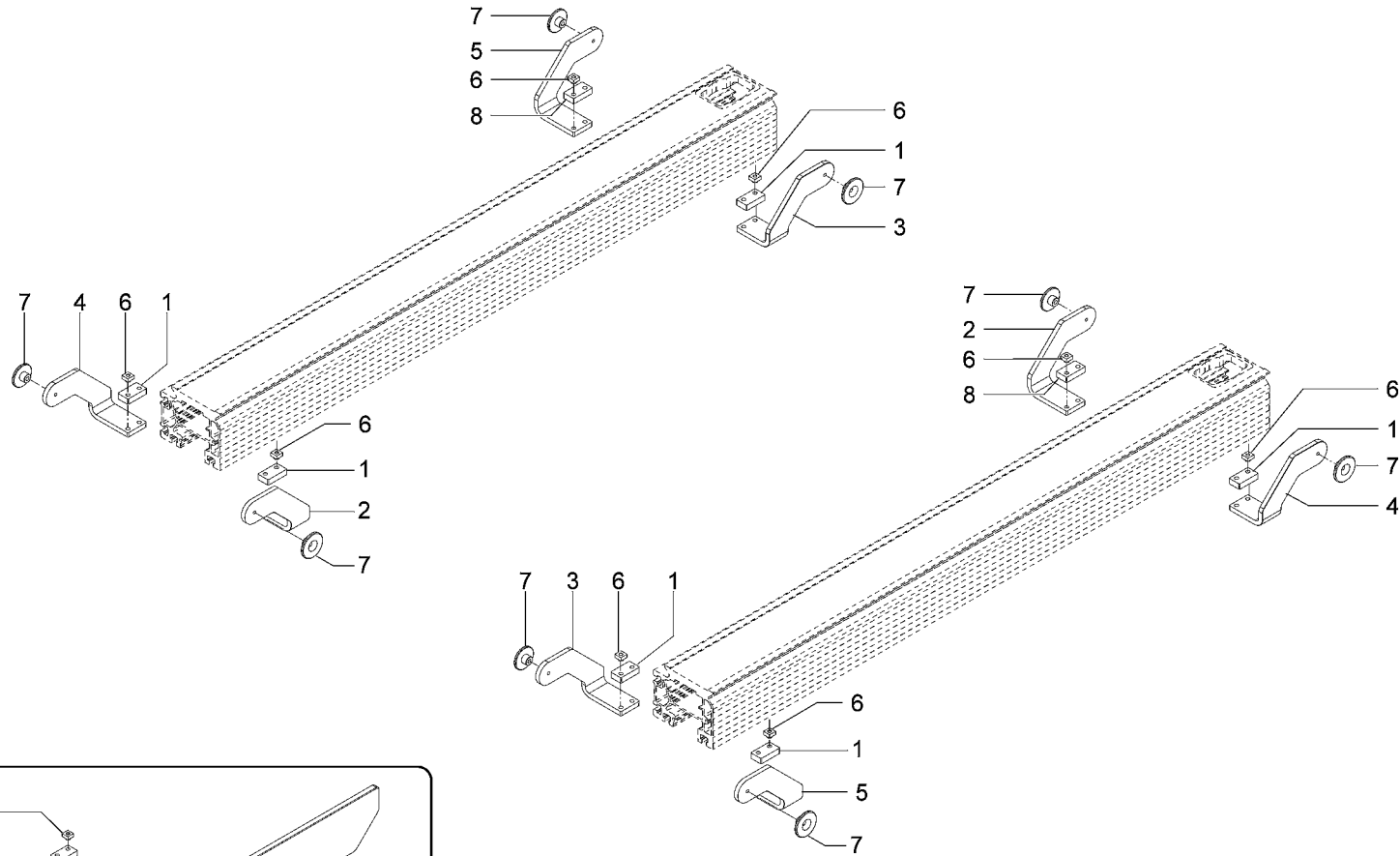


- 1 0801A0206
- 2 080632500
- 3 080634800
- 4 160606700
- 5 080732110 - SX
- 6 0807A0259
- 7 081485211
- 8 0820A0049 - ISO 30
- 9 162102800
- 10 1605A0044
- 11 112001000
- 12 280106700
- 13 290304800 - 20-42-12
- 14 290401600 - 12-28-12
- 15 290602000 - 22-28-14



C0840A00 - AGGREGATE - ISO 30 - 23449\_ALL - ROVER S 15-02-2008

| POSITION | DRAWING/COMPONENT | DESCRIPTION      |
|----------|-------------------|------------------|
| 1        | 0801A0206         | FLANGE           |
| 2        | 080632500         | SPACER           |
| 3        | 080634800         | SPACER           |
| 4        | 160606700         | SPACER           |
| 5        | 080732110         | SPINDLE SX       |
| 6        | 0807A0259         | SHAFT            |
| 7        | 081485211         | PLATE            |
| 8        | 0820A0049         | PIN ISO 30       |
| 9        | 162102800         | BEVEL GEAR SET   |
| 10       | 1605A0044         | BOX UNIT         |
| 11       | 112001000         | DOWEL            |
| 12       | 280106700         | SPRING           |
| 13       | 290304800         | BEARING 20-42-12 |
| 14       | 290401600         | BEARING 12-28-12 |
| 15       | 290602000         | BEARING 22-28-14 |



- 2 1205A1681
- 3 1205A1680
- 4 1205A1682
- 5 1205A1683
- 6 0804A0038
- 8 2012A0002
- 10 291004400 - GLY PG 1012..
- 12 2420A0118

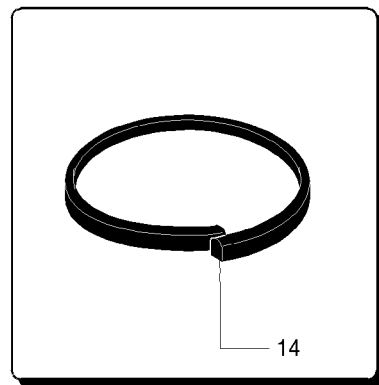
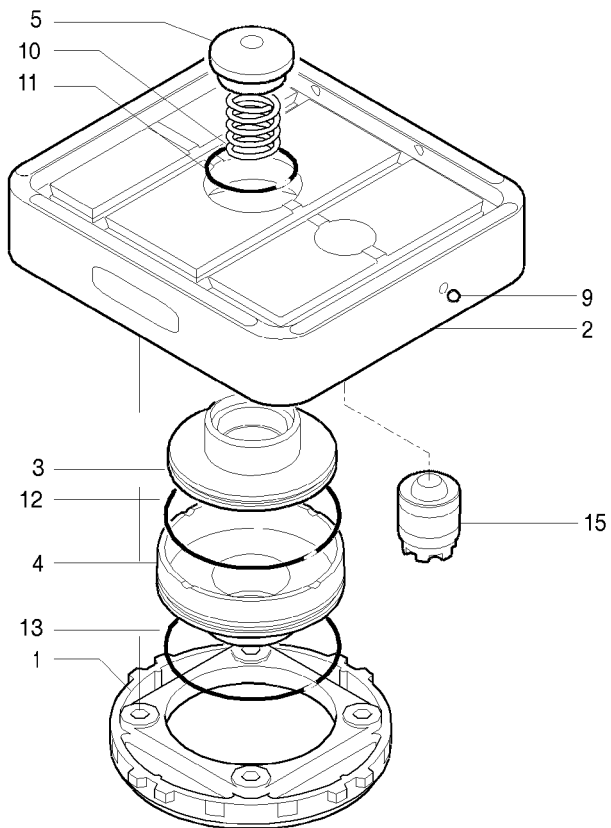


LOADING-UNLOADING DEVICE - 23449\_ALL - ROVER S 15-02-2008

D0176 A  
01

D0176A01 - LOADING-UNLOADING DEVICE - 23449\_ALL - ROVER S 15-02-2008

| POSITION | DRAWING/COMPONENT | DESCRIPTION            |
|----------|-------------------|------------------------|
| 2        | 1205A1681         | SUPPORT                |
| 3        | 1205A1680         | SUPPORT                |
| 4        | 1205A1682         | SUPPORT                |
| 5        | 1205A1683         | SUPPORT                |
| 6        | 0804A0038         | NUT                    |
| 8        | 2012A0002         | SUPPORT                |
| 10       | 291004400         | BUSHING GLY PG 101210F |
| 12       | 2420A0118         | CYLINDER               |

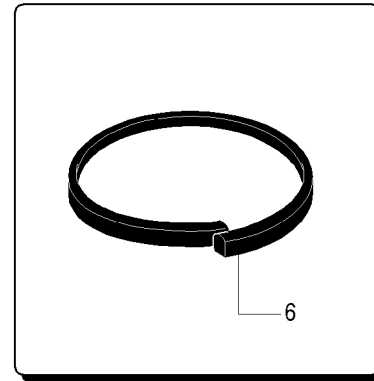
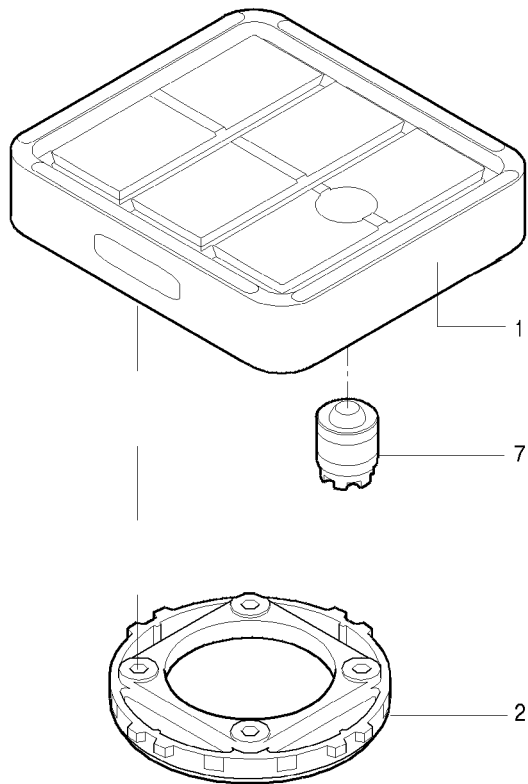


- 1 1405A0013
- 2 1614A0090 - 132x146
- 3 0915A0013
- 4 0916A0048
- 5 1420A0007
- 9 292100100 - ISO 30
- 10 2801A0039
- 11 3110A0014
- 12 311026600
- 13 311026800 - OR 2250
- 14 3123A0076
- 15 1704A0012

E0198A02 - SHAPEABLE SUCTION CUP - 23449\_ALL - ROVER S 15-02-2008

| POSITION | DRAWING/COMPONENT | DESCRIPTION       |
|----------|-------------------|-------------------|
| 1        | 1405A0013         | SUPPORT           |
| 2        | 1614A0090         | PLATE 132X146     |
| 3        | 0915A0013         | PISTON            |
| 4        | 0916A0048         | CYLINDER LINER    |
| 5        | 1420A0007         | PIN               |
| 9        | 292100100         | BALL ISO 30       |
| 10       | 2801A0039         | SPRING            |
| 11       | 3110A0014         | SEAL RING         |
| 12       | 311026600         | SEAL RING         |
| 13       | 311026800         | SEAL RING OR 2250 |
| 14       | 3123A0076         | GASKET            |
| 15       | 1704A0012         | SHUTTER           |

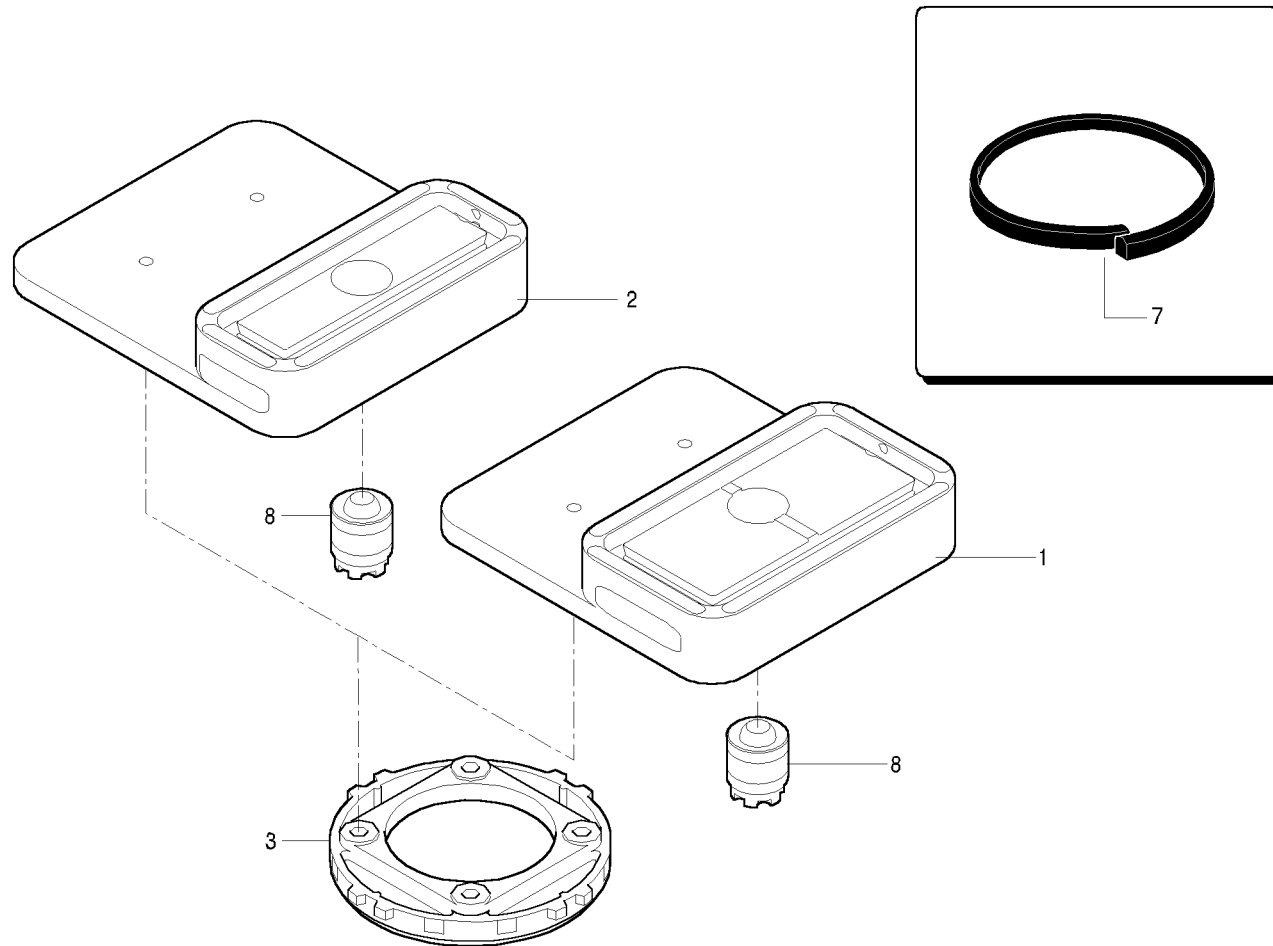
- 1 1614A0089 - 132x146
- 2 1405A0013
- 6 3123A0076
- 7 1704A0012



E0199A02 - SHAPEABLE SUCTION CUP - 23449\_ALL - ROVER S 15-02-2008

| POSITION | DRAWING/COMPONENT | DESCRIPTION   |
|----------|-------------------|---------------|
| 1        | 1614A0089         | PLATE 132X146 |
| 2        | 1405A0013         | SUPPORT       |
| 6        | 3123A0076         | GASKET        |
| 7        | 1704A0012         | SHUTTER       |

- 1 1614A0120 - 131,5X75X48
- 1 1614A0088 - 131,5x75x29..
- 2 1614A0087 - 132x50
- 2 1614A0121 - 131,5X54X48
- 3 1405A0013
- 7 3123A0076
- 8 1704A0012

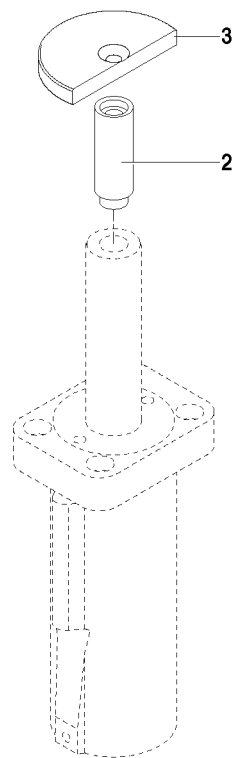




E0200A02 - SHAPEABLE SUCTION CUP - 23449\_ALL - ROVER S 15-02-2008

| POSITION | DRAWING/COMPONENT | DESCRIPTION                       |
|----------|-------------------|-----------------------------------|
| 1        | 1614A0120         | SHAPEABLE SUCTION CUP 131,5X75X48 |
| 1        | 1614A0088         | PLATE 131,5X75X29,1               |
| 2        | 1614A0087         | PLATE 132X50                      |
| 2        | 1614A0121         | SHAPEABLE SUCTION CUP 131,5X54X48 |
| 3        | 1405A0013         | SUPPORT                           |
| 7        | 3123A0076         | GASKET                            |
| 8        | 1704A0012         | SHUTTER                           |

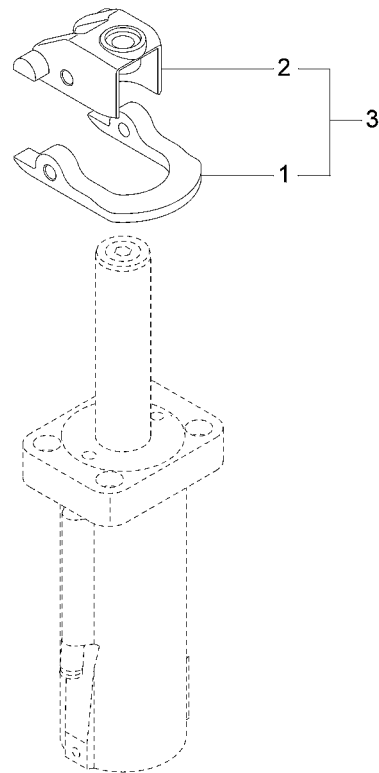
2 0806A0322  
3 1401A0068



E0202A02 - STOP - 23449\_ALL - ROVER S 15-02-2008

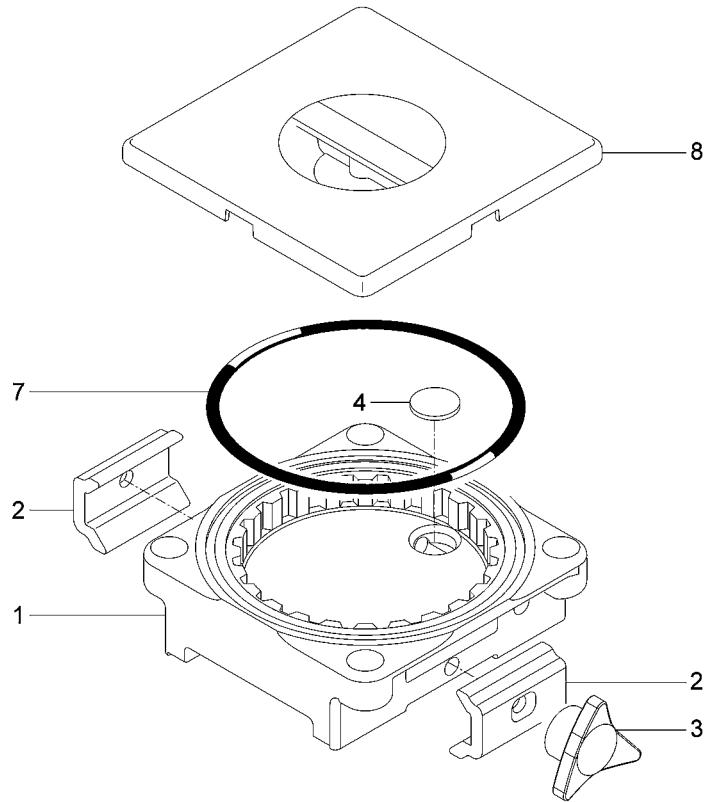
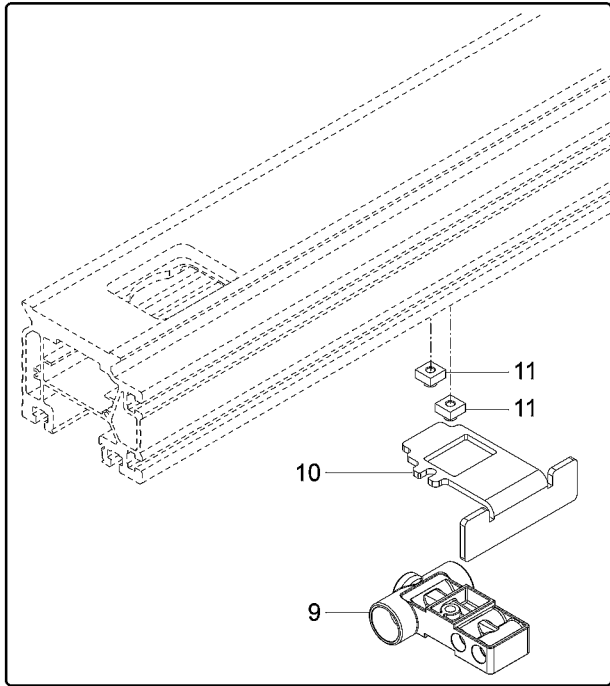
| POSITION | DRAWING/COMPONENT | DESCRIPTION |
|----------|-------------------|-------------|
| 2        | 0806A0322         | SPACER      |
| 3        | 1401A0068         | FLANGE      |

- 1 0728A0023
- 2 0905A1413
- 3 1728A0003



E0258A01 - BATTUTA - 23449\_ALL - ROVER S 15-02-2008

| POSITION | DRAWING/COMPONENT | DESCRIPTION   |
|----------|-------------------|---------------|
| 1        | 0728A0023         | STOP          |
| 2        | 0905A1413         | SUPPORT       |
| 3        | 1728A0003         | STOP ASSEMBLY |

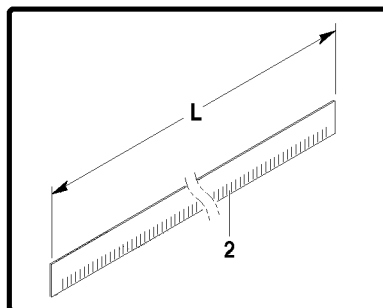
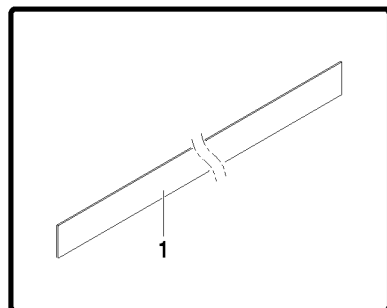


- 1 0905A1334
- 2 0724A0003
- 3 2710A0085
- 4 2422A0124
- 7 1419A0041
- 8 1701A0004
- 9 1713A0013
- 10 1208A2463
- 11 0804A0038

E0262A02 - CARRIAGE - CTS - 23449\_ALL - ROVER S 15-02-2008

| POSITION | DRAWING/COMPONENT | DESCRIPTION |
|----------|-------------------|-------------|
| 1        | 0905A1334         | SUPPORT     |
| 2        | 0724A0003         | LEVER       |
| 3        | 2710A0085         | HANDWHEEL   |
| 4        | 2422A0124         | FILTER      |
| 7        | 1419A0041         | GASKET      |
| 8        | 1701A0004         | PLUG        |
| 9        | 1713A0013         | DISTRIBUTOR |
| 10       | 1208A2463         | CASING      |
| 11       | 0804A0038         | NUT         |

- 1 1426A0031 - L=1600
- 2 1426A0030 - L=0-1600

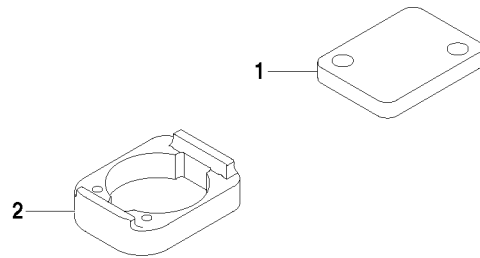




E0273A00 - MILLIMETRE RULE - 23449\_ALL - ROVER S 15-02-2008

| POSITION | DRAWING/COMPONENT | DESCRIPTION              |
|----------|-------------------|--------------------------|
| 1        | 1426A0031         | MILLIMETRE RULE L=1600   |
| 2        | 1426A0030         | MILLIMETRE RULE L=0-1600 |

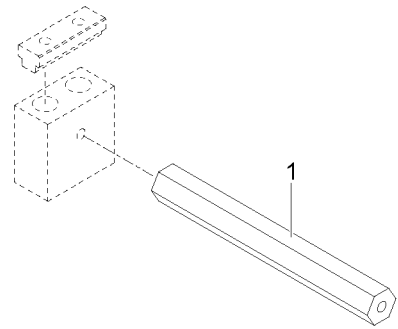
1 1401A0049  
2 0914A0470



E0280A00 - PLUG - 23449\_ALL - ROVER S 15-02-2008

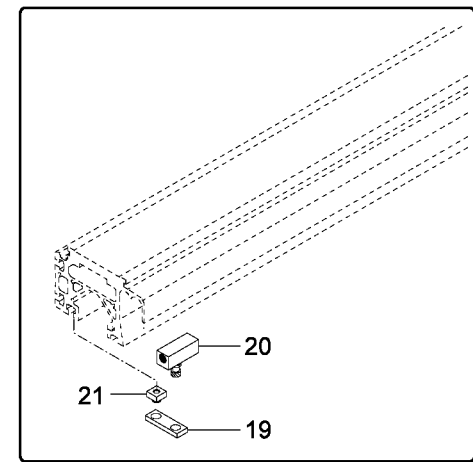
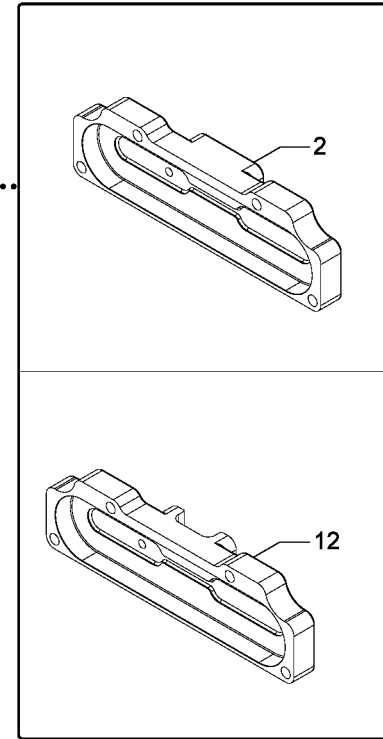
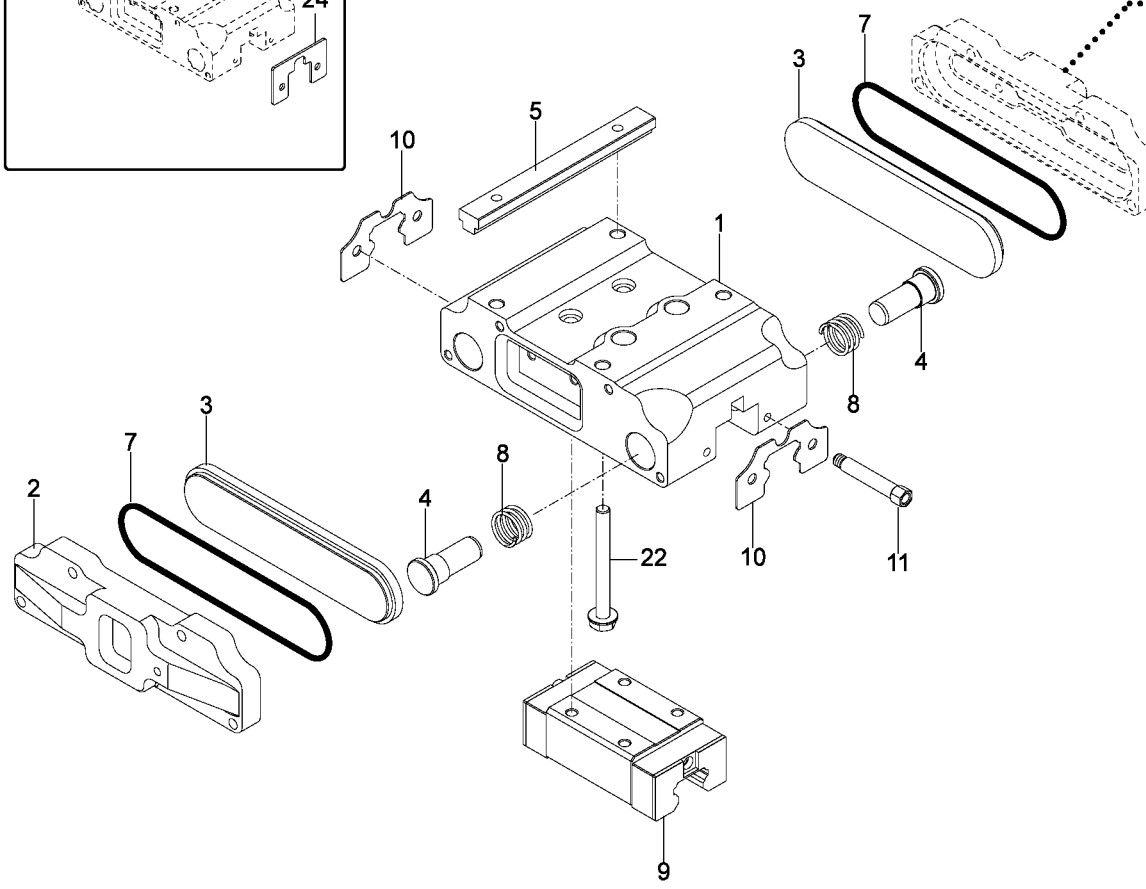
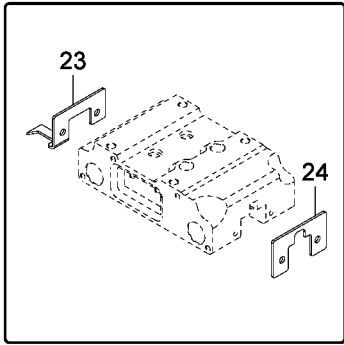
| POSITION | DRAWING/COMPONENT | DESCRIPTION |
|----------|-------------------|-------------|
| 1        | 1401A0049         | PLUG        |
| 2        | 0914A0470         | PLATE       |

- 1 0806A0586 - L=130
- 1 0806A0583 - L=94
- 1 0806A0582 - L=40



E0326A00 - SPACER - 23449\_ALL - ROVER S 15-02-2008

| POSITION | DRAWING/COMPONENT | DESCRIPTION  |
|----------|-------------------|--------------|
| 1        | 0806A0586         | SPACER L=130 |
| 1        | 0806A0583         | SPACER L=94  |
| 1        | 0806A0582         | SPACER L=40  |

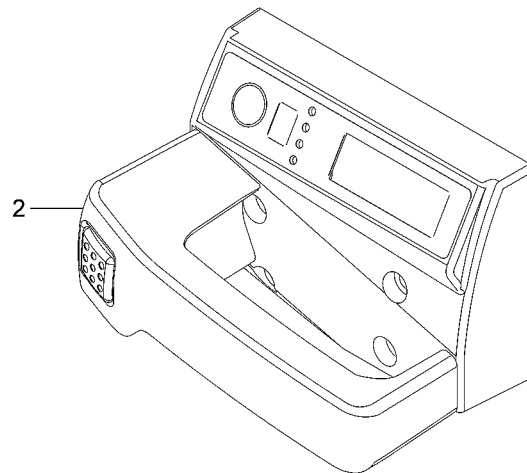
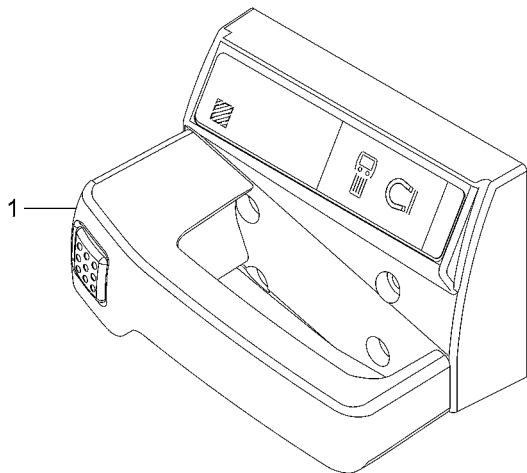


|    |                  |
|----|------------------|
| 1  | 0705A0096        |
| 2  | 0716A0013        |
| 3  | 0815A0233        |
| 4  | 0820A0437        |
| 5  | 0802A0036        |
| 7  | 311025500        |
| 8  | 2801A0418        |
| 9  | 2914A1125        |
| 10 | 1219A0003        |
| 11 | 0806A0570        |
| 12 | 0716A0014        |
| 19 | 0814A0909        |
| 20 | 241402200 - F=M5 |
| 21 | 0804A0038        |

## E0331A03 - WORK TABLE LOCKING - 23449\_ALL - ROVER S 15-02-2008

| POSITION | DRAWING/COMPONENT | DESCRIPTION         |
|----------|-------------------|---------------------|
| 1        | 0705A0096         | SUPPORT             |
| 2        | 0716A0013         | CYLINDER LINER      |
| 3        | 0815A0233         | PISTON              |
| 4        | 0820A0437         | PIN                 |
| 5        | 0802A0036         | GIB                 |
| 7        | 311025500         | SEAL RING           |
| 8        | 2801A0418         | SPRING              |
| 9        | 2914A1125         | SLIDE BLOCK         |
| 10       | 1219A0003         | SCRAPER             |
| 11       | 0806A0570         | SPACER              |
| 12       | 0716A0014         | CYLINDER LINER      |
| 19       | 0814A0909         | PLATE               |
| 20       | 241402200         | FLOW REGULATOR F=M5 |
| 21       | 0804A0038         | NUT                 |

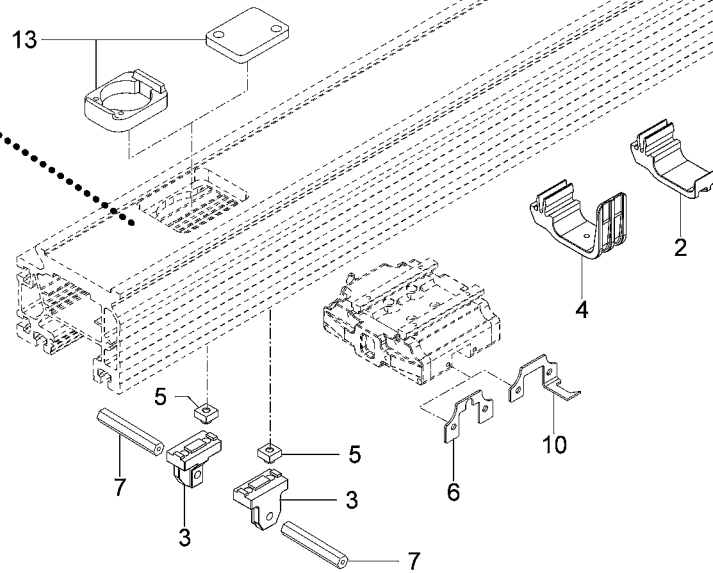
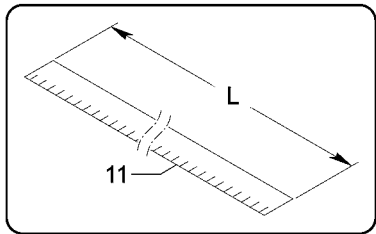
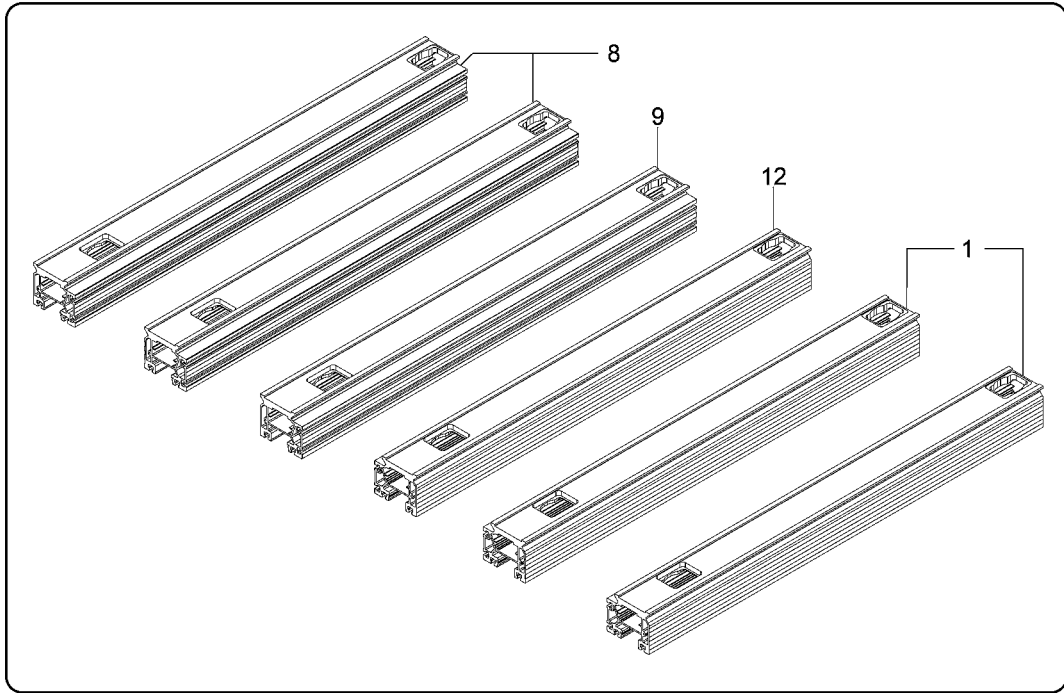
- 1 6424A0009
- 2 6424A0007





E0339A01 - HANDLE - 23449\_ALL - ROVER S 15-02-2008

| POSITION | DRAWING/COMPONENT | DESCRIPTION |
|----------|-------------------|-------------|
| 1        | 6424A0009         | HANDLE      |
| 2        | 6424A0007         | HANDLE      |

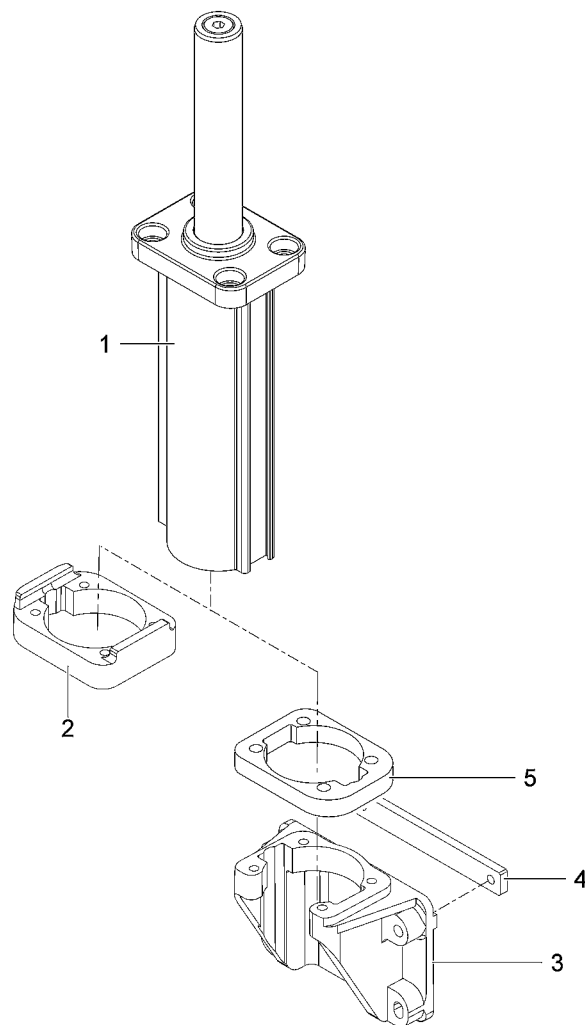


- 1 0905A1857
- 2 1405A0044
- 3 0905A1854
- 4 1405A0036
- 5 0804A0038
- 6 1226A0012V
- 7 E0326A00
- 8 0905A1858
- 9 0905A1860
- 10 1226A0013V
- 11 E0273A00
- 12 0905A1859
- 13 E0280A00

## E0377A01 - WORK TABLE - 23449\_ALL - ROVER S 15-02-2008

| POSITION | DRAWING/COMPONENT | DESCRIPTION     |
|----------|-------------------|-----------------|
| 1        | 0905A1857         | SUPPORT         |
| 2        | 1405A0044         | SUPPORT         |
| 3        | 0905A1854         | SUPPORT         |
| 4        | 1405A0036         | SUPPORT         |
| 5        | 0804A0038         | NUT             |
| 6        | 1226A0012V        | NONIUS          |
| 7        | E0326A00          | SPACER          |
| 8        | 0905A1858         | SUPPORT         |
| 9        | 0905A1860         | SUPPORT         |
| 10       | 1226A0013V        | NONIUS          |
| 11       | E0273A00          | MILLIMETRE RULE |
| 12       | 0905A1859         | SUPPORT         |
| 13       | E0280A00          | PLUG            |

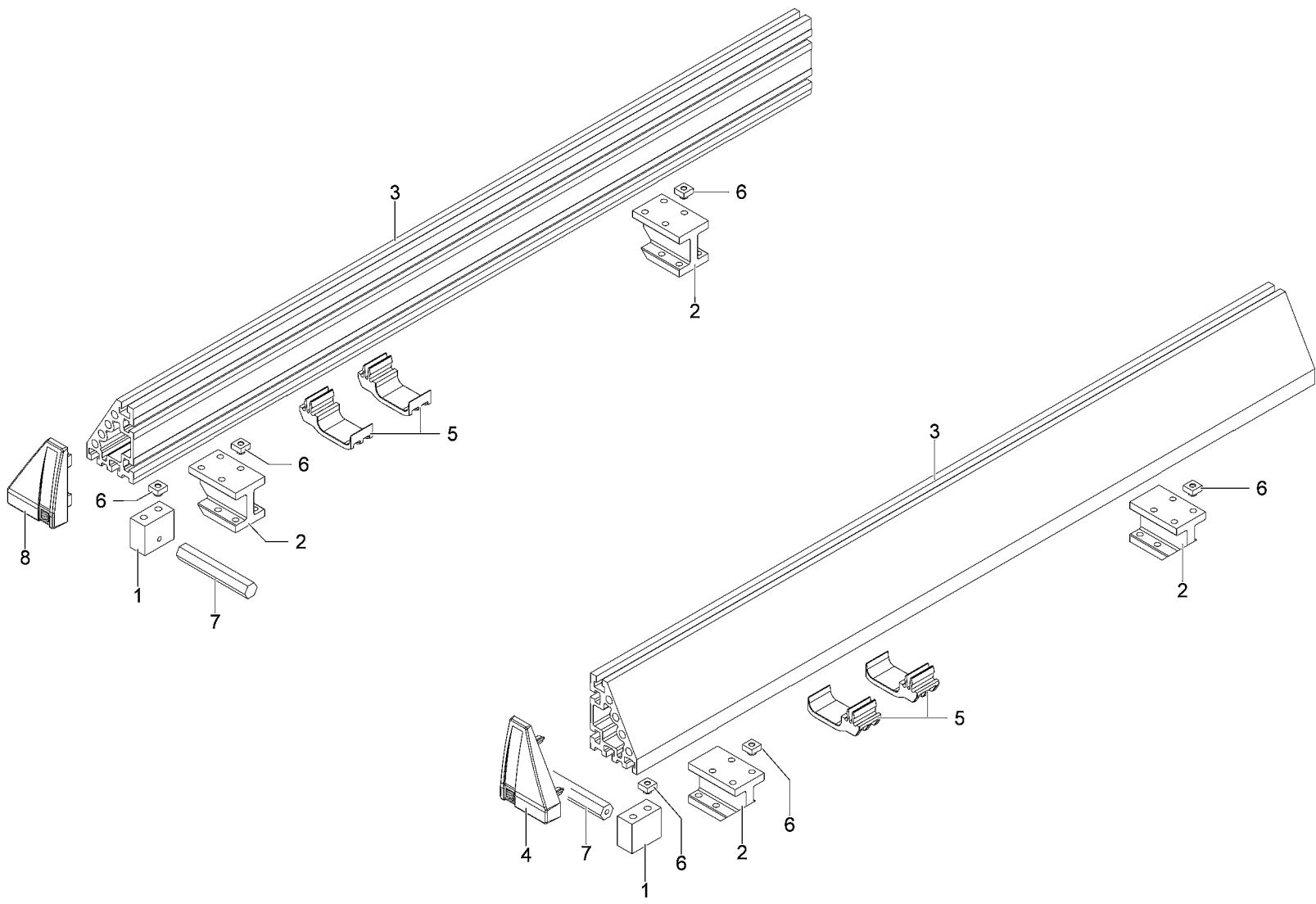
- 1 6307A0203
- 2 0914A0470
- 3 0905A0874
- 4 0802A0023
- 5 0906A0232



E0378A00 - STOP - 23449\_ALL - ROVER S 15-02-2008

| POSITION | DRAWING/COMPONENT | DESCRIPTION |
|----------|-------------------|-------------|
| 1        | 6307A0203         | STOP        |
| 2        | 0914A0470         | PLATE       |
| 3        | 0905A0874         | SUPPORT     |
| 4        | 0802A0023         | GIB         |
| 5        | 0906A0232         | SPACER      |

- 1 0905A1854
- 2 0905A1864
- 3 0905A1861
- 4 1401A0060 - DX
- 5 1405A0044
- 6 0804A0038
- 7 E0326A00
- 8 1401A0059 - SX



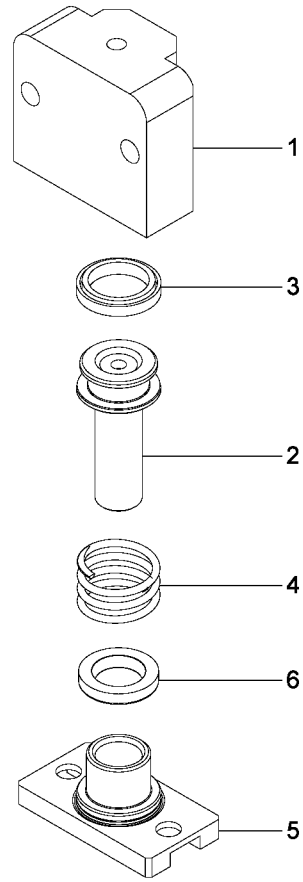
SIDE WORK TABLE - 23449\_ALL - ROVER S 15-02-2008

E0379 A  
00

E0379A00 - SIDE WORK TABLE - 23449\_ALL - ROVER S 15-02-2008

| POSITION | DRAWING/COMPONENT | DESCRIPTION |
|----------|-------------------|-------------|
| 1        | 0905A1854         | SUPPORT     |
| 2        | 0905A1864         | SUPPORT     |
| 3        | 0905A1861         | SUPPORT     |
| 4        | 1401A0060         | PLUG DX     |
| 5        | 1405A0044         | SUPPORT     |
| 6        | 0804A0038         | NUT         |
| 7        | E0326A00          | SPACER      |
| 8        | 1401A0059         | PLUG SX     |

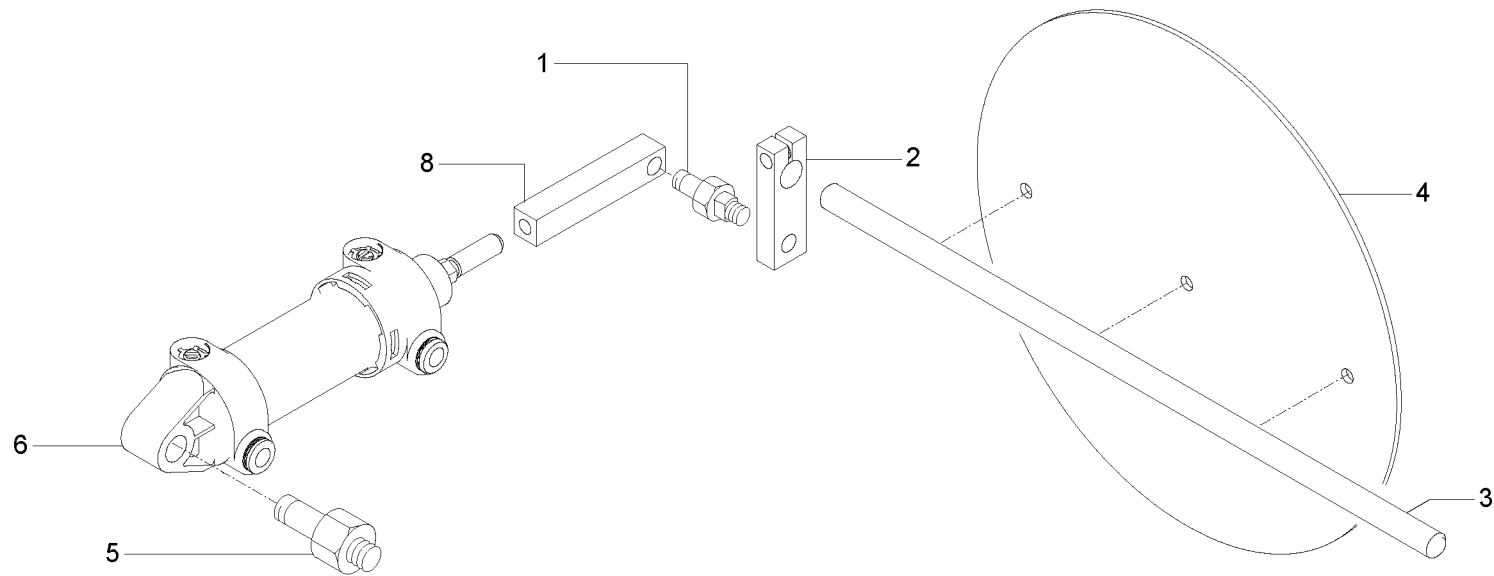
- 1 0916A0130
- 2 0820A0438
- 3 3102A0013
- 4 2801A0418
- 5 0717A0028
- 6 311401300 - GR 10-17-3





E0387A00 - LOCKING UNIT - 23449\_ALL - ROVER S 15-02-2008

| POSITION | DRAWING/COMPONENT | DESCRIPTION     |
|----------|-------------------|-----------------|
| 1        | 0916A0130         | CYLINDER LINER  |
| 2        | 0820A0438         | PIN             |
| 3        | 3102A0013         | GASKET          |
| 4        | 2801A0418         | SPRING          |
| 5        | 0717A0028         | BUSHING         |
| 6        | 311401300         | RING GR 10-17-3 |

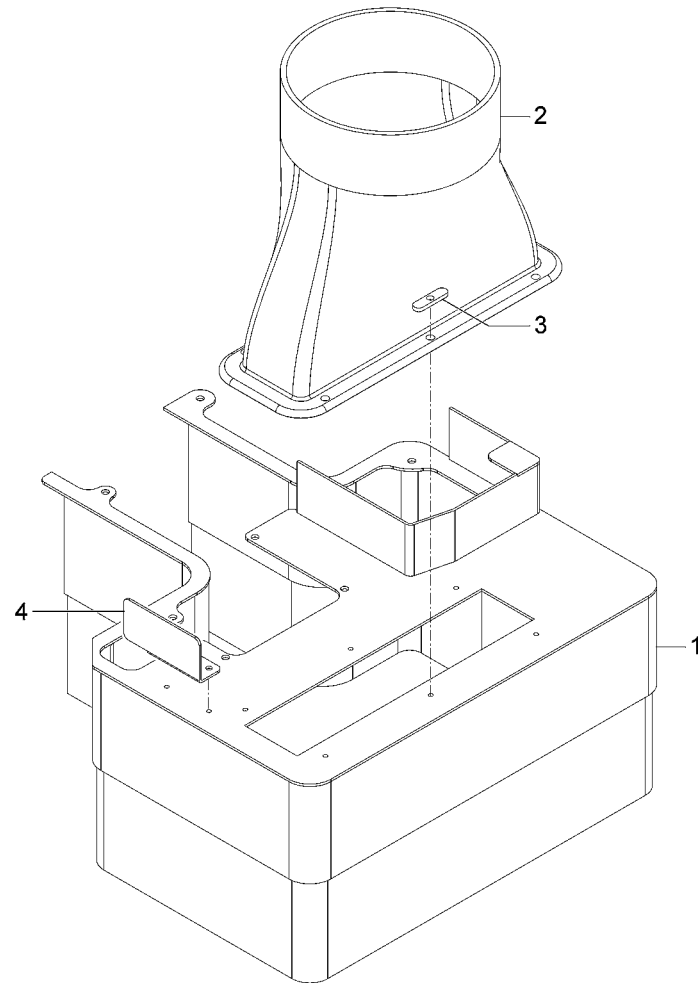


- 1 0820A0350
- 2 0824A0056
- 3 0814A1262 - L=250
- 3 0814A1260 - L=200
- 4 1224A0019 - D=200
- 4 1224A0017 - D=150
- 5 082030700
- 6 1415A0012
- 8 0814A1271

G0163A00 - SUCTION - 23449\_ALL - ROVER S 15-02-2008

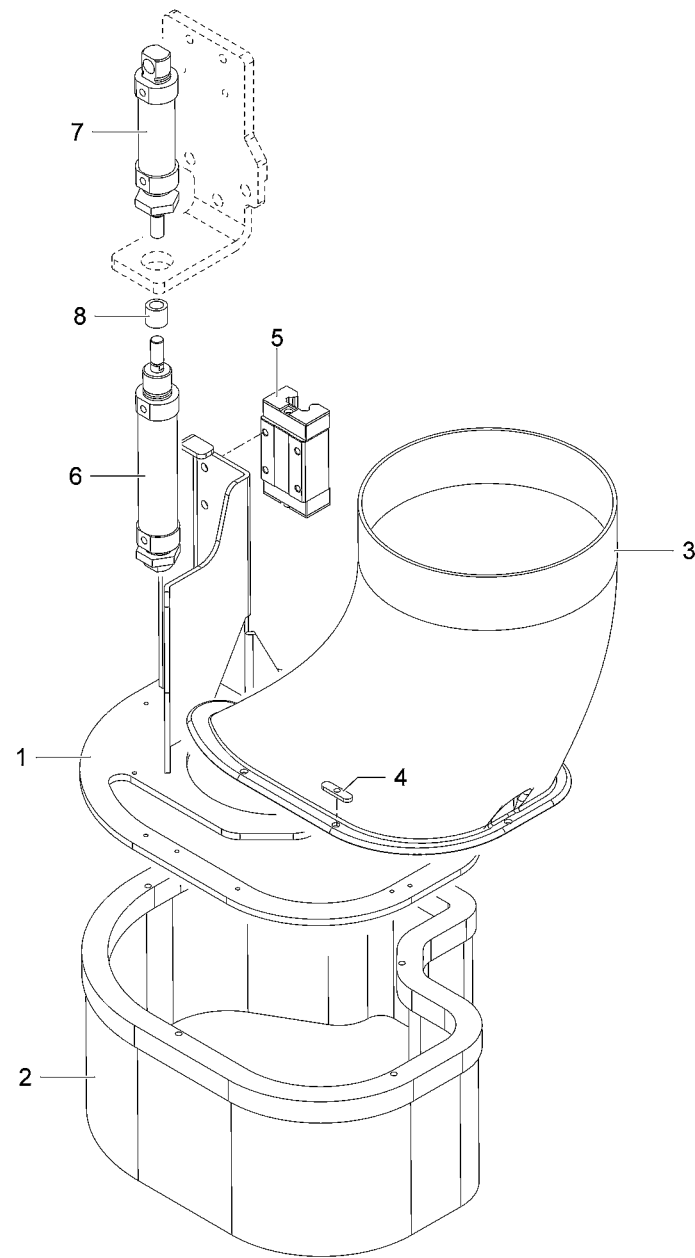
| POSITION | DRAWING/COMPONENT | DESCRIPTION |
|----------|-------------------|-------------|
| 1        | 0820A0350         | PIN         |
| 2        | 0824A0056         | LEVER       |
| 3        | 0814A1262         | BAR L=250   |
| 3        | 0814A1260         | BAR L=200   |
| 4        | 1224A0019         | PLATE D=200 |
| 4        | 1224A0017         | PLATE D=150 |
| 5        | 082030700         | PIN         |
| 6        | 1415A0012         | CYLINDER    |
| 8        | 0814A1271         | BLOCK       |

- 1 1732A0012
- 2 1412A0107
- 3 0814A1104
- 4 1208A2641



G0186A01 - SUCTION - 23449\_ALL - ROVER S 15-02-2008

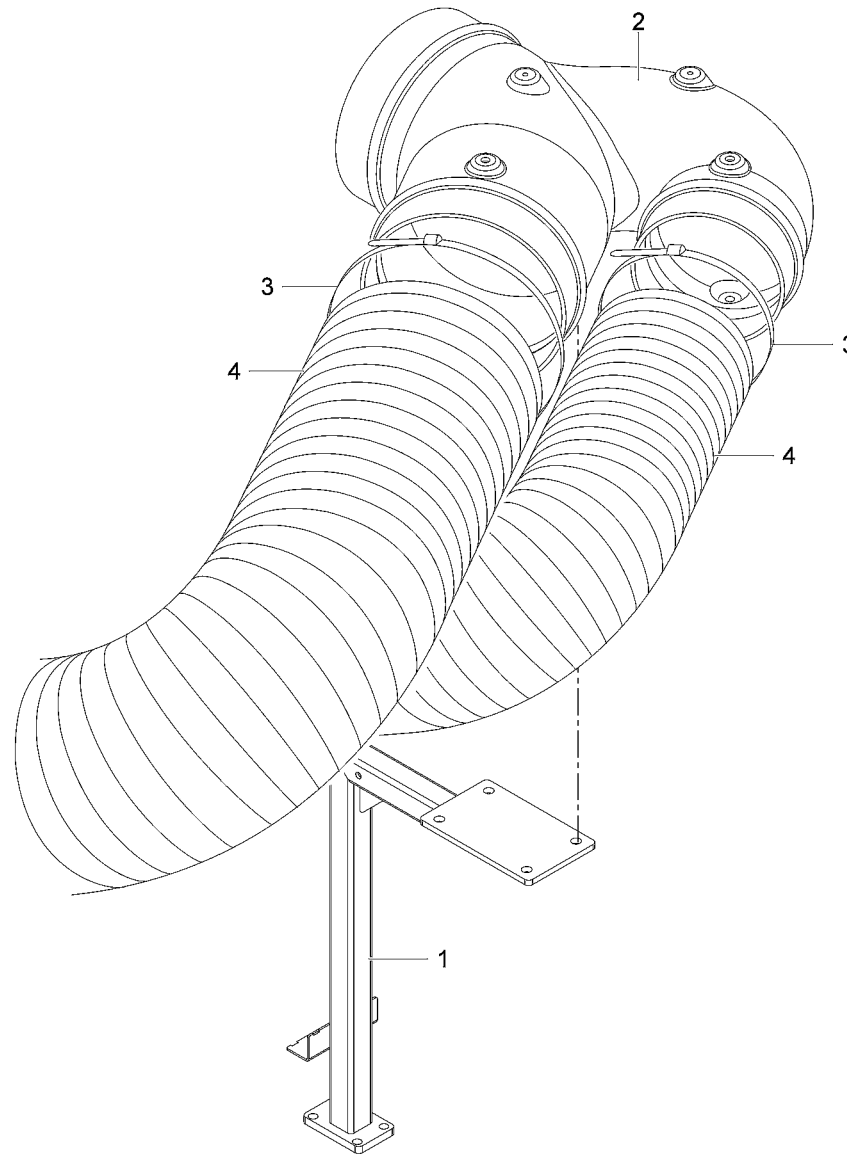
| POSITION | DRAWING/COMPONENT | DESCRIPTION |
|----------|-------------------|-------------|
| 1        | 1732A0012         | BRUSH       |
| 2        | 1412A0107         | MANIFOLD    |
| 3        | 0814A1104         | WASHER      |
| 4        | 1208A2641         | CASING      |



- 1 1205A1956
- 2 1432A0418
- 3 1412A0108
- 4 0814A1104
- 5 2914A1125
- 6 2420A1651
- 7 2420A1652
- 8 0917A0023

G0187A00 - SUCTION - 23449\_ALL - ROVER S 15-02-2008

| POSITION | DRAWING/COMPONENT | DESCRIPTION |
|----------|-------------------|-------------|
| 1        | 1205A1956         | SUPPORT     |
| 2        | 1432A0418         | BRUSH       |
| 3        | 1412A0108         | MANIFOLD    |
| 4        | 0814A1104         | WASHER      |
| 5        | 2914A1125         | SLIDE BLOCK |
| 6        | 2420A1651         | CYLINDER    |
| 7        | 2420A1652         | CYLINDER    |
| 8        | 0917A0023         | BUSH        |

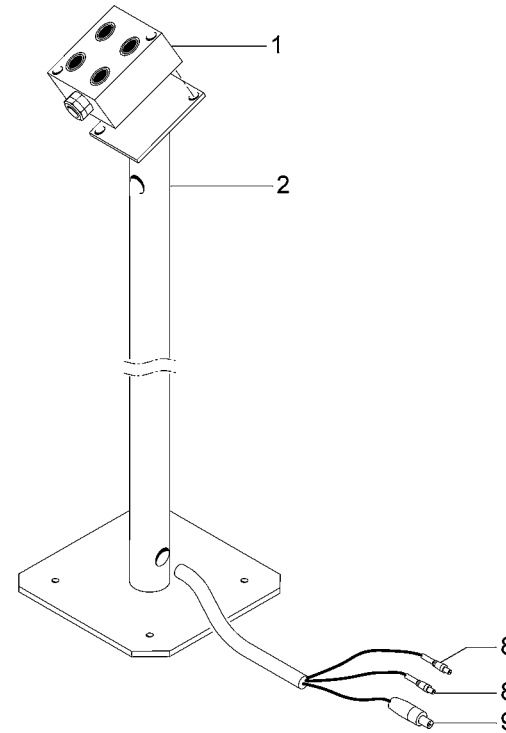
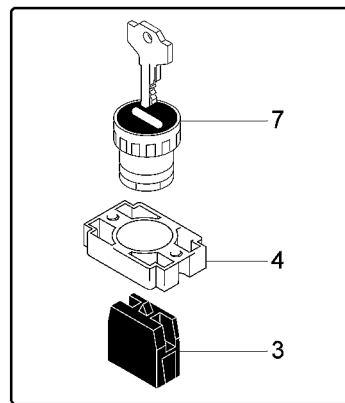
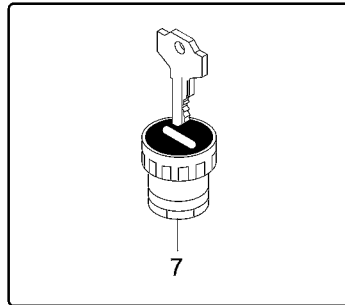
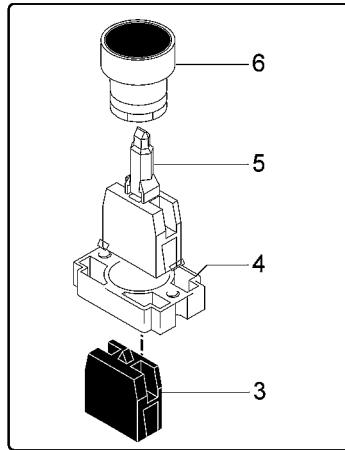


- 1 1205A1913
- 2 1412A0109
- 3 1727A0005 - D=200-190
- 3 1727A0004 - D=160-145
- 3 1727A0003 - D=210
- 4 2002A0026
- 4 2002A0032 - D=150 L=110..



G0188A00 - SUCTION - 23449\_ALL - ROVER S 15-02-2008

| POSITION | DRAWING/COMPONENT | DESCRIPTION          |
|----------|-------------------|----------------------|
| 1        | 1205A1913         | SUPPORT              |
| 2        | 1412A0109         | MANIFOLD             |
| 3        | 1727A0005         | HOSE CLAMP D=200-190 |
| 3        | 1727A0004         | HOSE CLAMP D=160-145 |
| 3        | 1727A0003         | HOSE CLAMP D=210     |
| 4        | 2002A0026         | FLEXIBLE PIPE        |
| 4        | 2002A0032         | PIPE D=150 L=1100    |

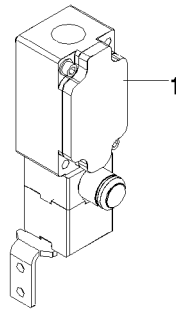


- 1 2165A0001
- 2 1205A0838V
- 3 2123A0065 - ZBE101
- 4 2123A0083 - ZB4-BZ009
- 5 2119A0002 - ZBVB3 24V
- 6 2118A0103 - ZB4BW333
- 7 2106A0093 - ZB4-BG4
- 8 6480A0131 - F=M8 POLE 3..
- 9 6480A0133 - F=M12 POLE ..

H0235A04 - BUTTON PAD - 23449\_ALL - ROVER S 15-02-2008

| POSITION | DRAWING/COMPONENT | DESCRIPTION                               |
|----------|-------------------|---|
| 1        | 2165A0001         | CONNECTOR BLOCK                           |
| 2        | 1205A0838V        | SUPPORT                                   |
| 3        | 2123A0065         | CONTACT ZBE101                            |
| 4        | 2123A0083         | BASE ZB4-BZ009                            |
| 5        | 2119A0002         | LAMP ZBVB3 24V                            |
| 6        | 2118A0103         | PUSH BUTTON ZB4BW333                      |
| 7        | 2106A0093         | SELECTOR ZB4-BG4                          |
| 8        | 6480A0131         | PLUG CONNECTOR F=M8 POLE 3-L=4,5M 3X0,35  |
| 9        | 6480A0133         | PLUG CONNECTOR F=M12 POLE 5-L=4,5M 5X0,35 |

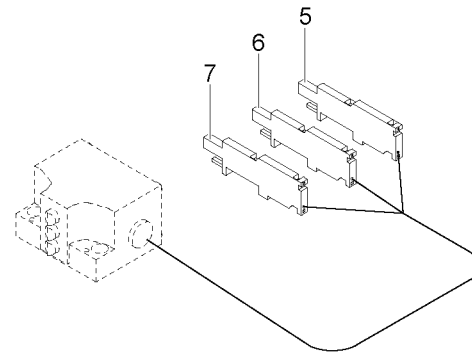
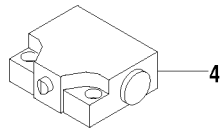
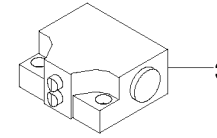
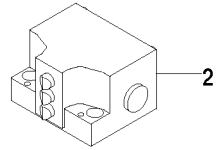
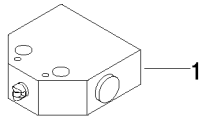
1 2104A0272



H0239A00 - SAFETY SWITCH - 23449\_ALL - ROVER S 15-02-2008

| POSITION | DRAWING/COMPONENT | DESCRIPTION  |
|----------|-------------------|--------------|
| 1        | 2104A0272         | LIMIT SWITCH |

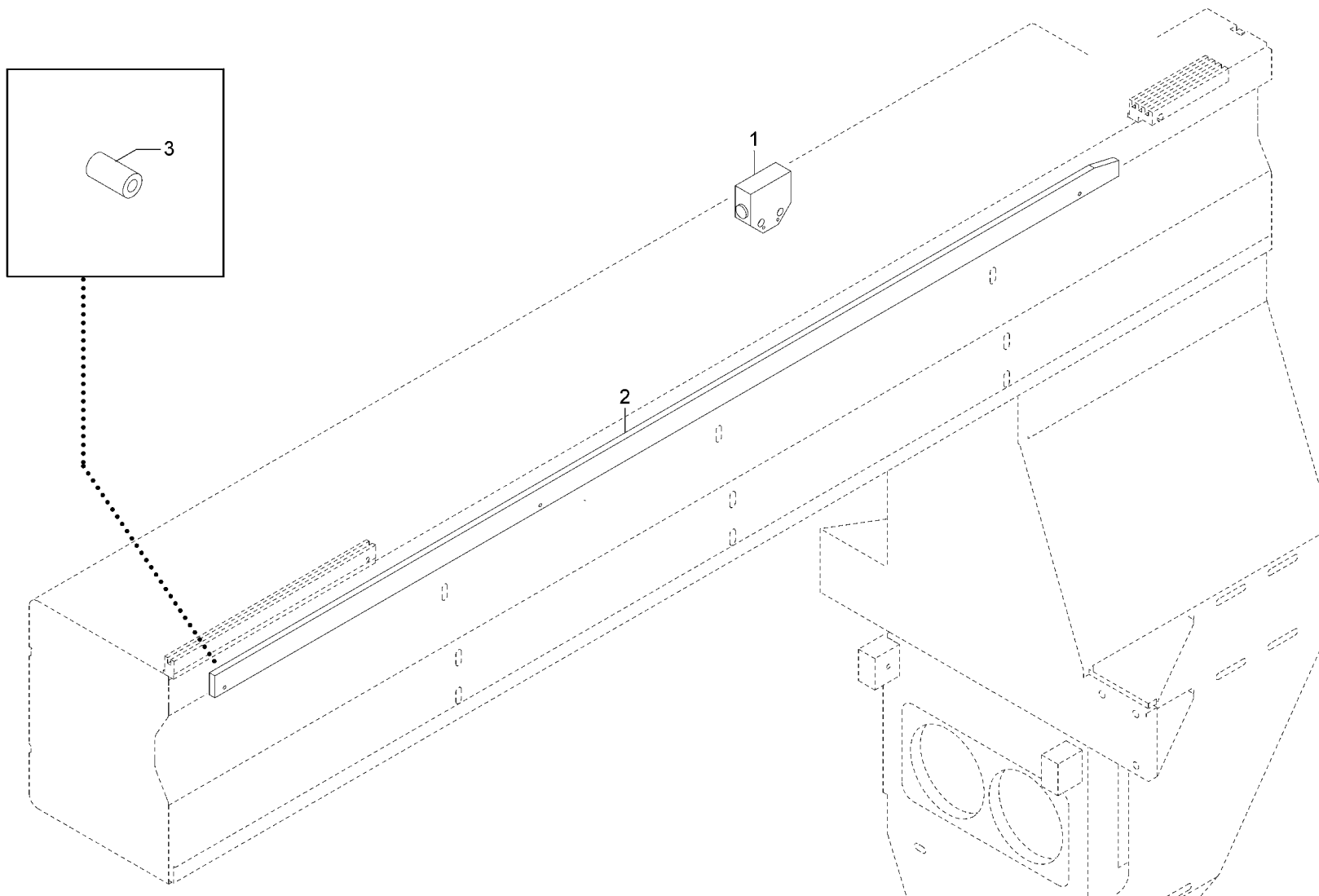
- 1 2104A0215 - BNS-813-FL-..
- 2 2104A0212 - BNS 819-B03..



H0249A02 - SAFETY LIMIT SWITCH - 23449\_ALL - ROVER S 15-02-2008

| POSITION | DRAWING/COMPONENT | DESCRIPTION                          |
|----------|-------------------|--------------------------------------|
| 1        | 2104A0215         | LIMIT SWITCH BNS-813-FL-60 CE        |
| 2        | 2104A0212         | LIMIT SWITCH BNS 819-B03D12-61-12-10 |

- 1 H0249A02
- 2 0809A0131

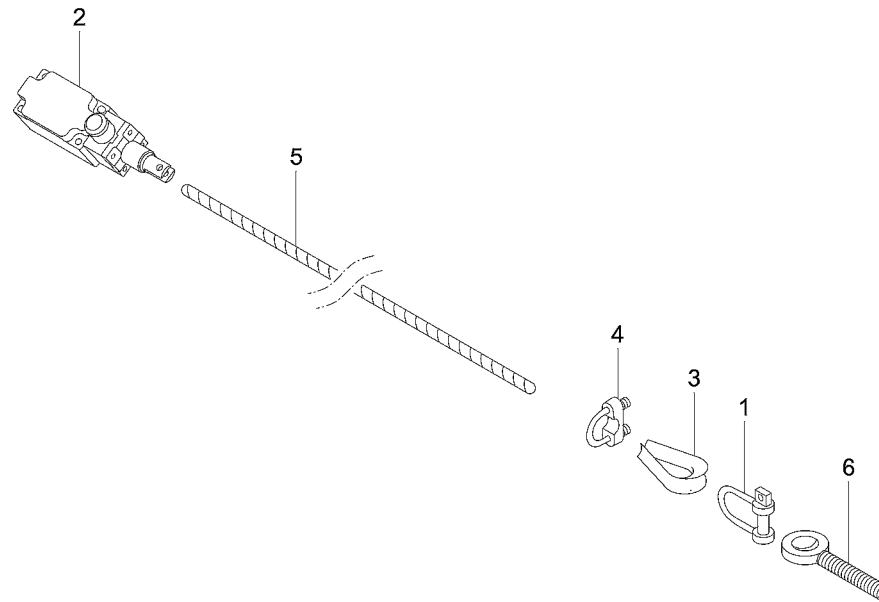




H0289A01 - AXIS Y LIMIT SWITCH - 23449\_ALL - ROVER S 15-02-2008

| POSITION | DRAWING/COMPONENT | DESCRIPTION         |
|----------|-------------------|---------------------|
| 1        | H0249A02          | SAFETY LIMIT SWITCH |
| 2        | 0809A0131         | CAM                 |

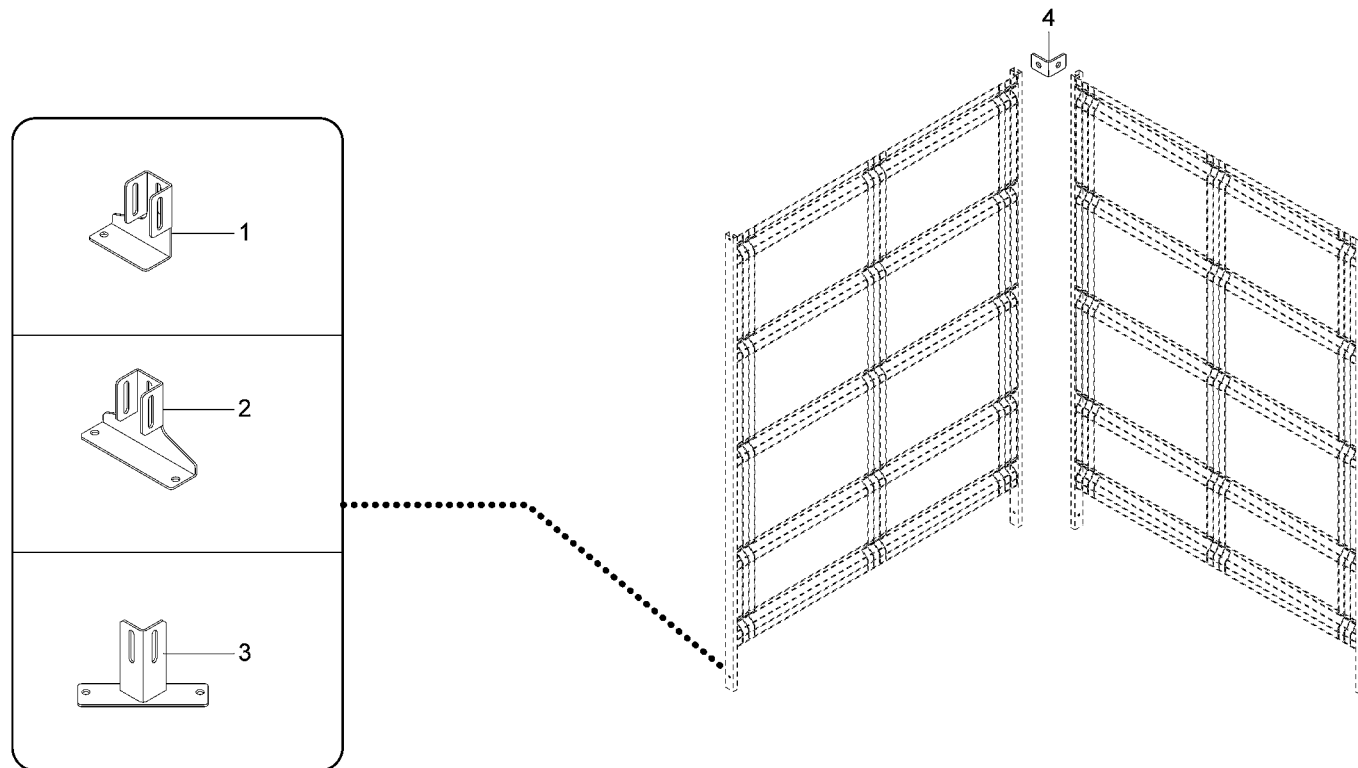
- 1 200900100
- 2 2104A0250
- 3 200800100
- 4 200901200
- 5 271500700
- 6 2007A0001 - M8X40 UNI 6..



H0365A00 - EMERGENCY DEVICE - 23449\_ALL - ROVER S 15-02-2008

| POSITION | DRAWING/COMPONENT | DESCRIPTION              |
|----------|-------------------|--------------------------|
| 1        | 200900100         | U-BOLTS                  |
| 2        | 2104A0250         | LIMIT SWITCH             |
| 3        | 200800100         | THIMBLE                  |
| 4        | 200901200         | TERMINAL                 |
| 5        | 271500700         | EMERGENCY CORD           |
| 6        | 2007A0001         | TIGHTENER M8X40 UNI 6058 |

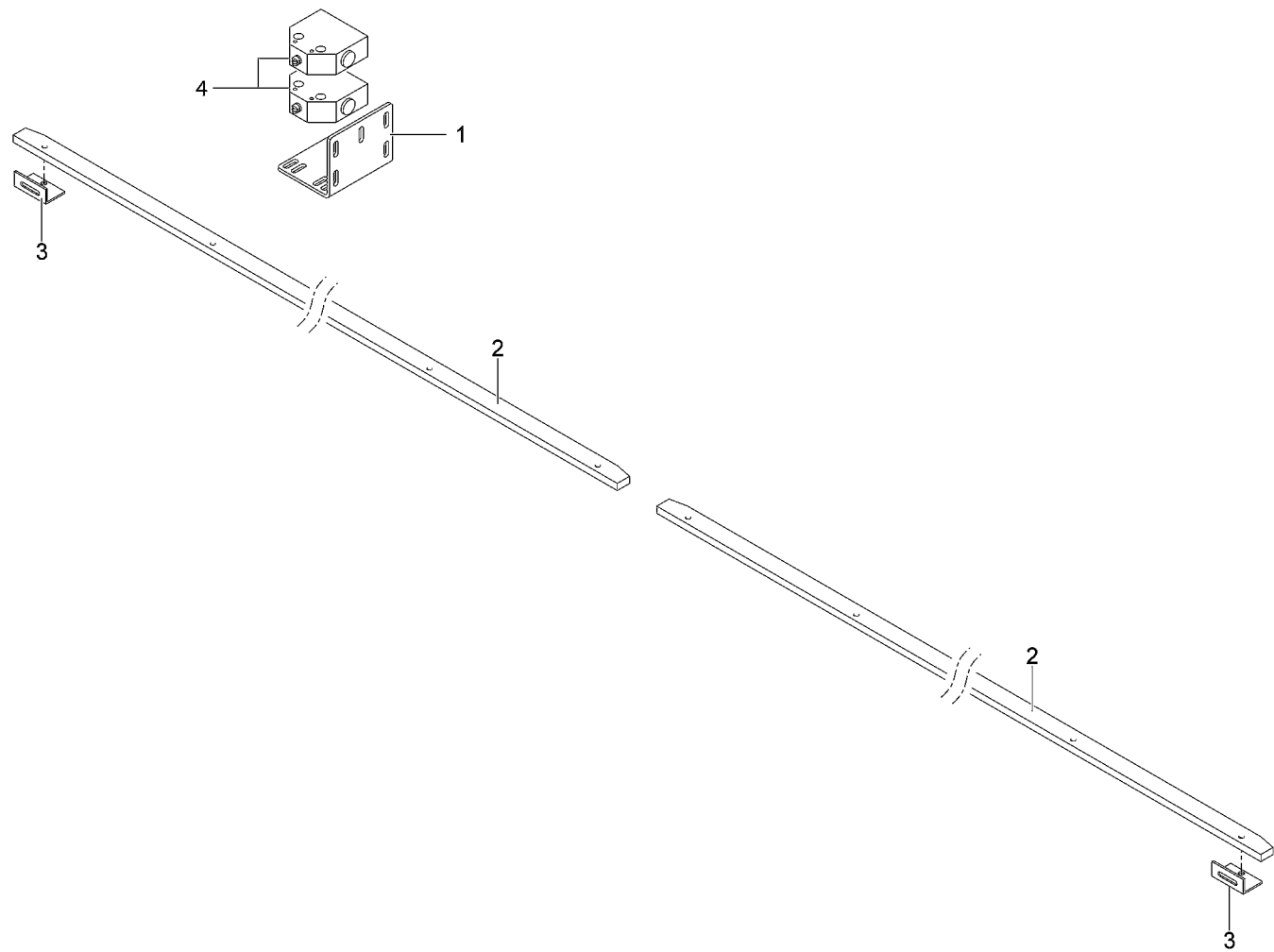
- 1 2042A0440
- 2 2042A0439
- 3 2042A0438
- 4 2042A0441



H0371A00 - SUPPORT - 23449\_ALL - ROVER S 15-02-2008

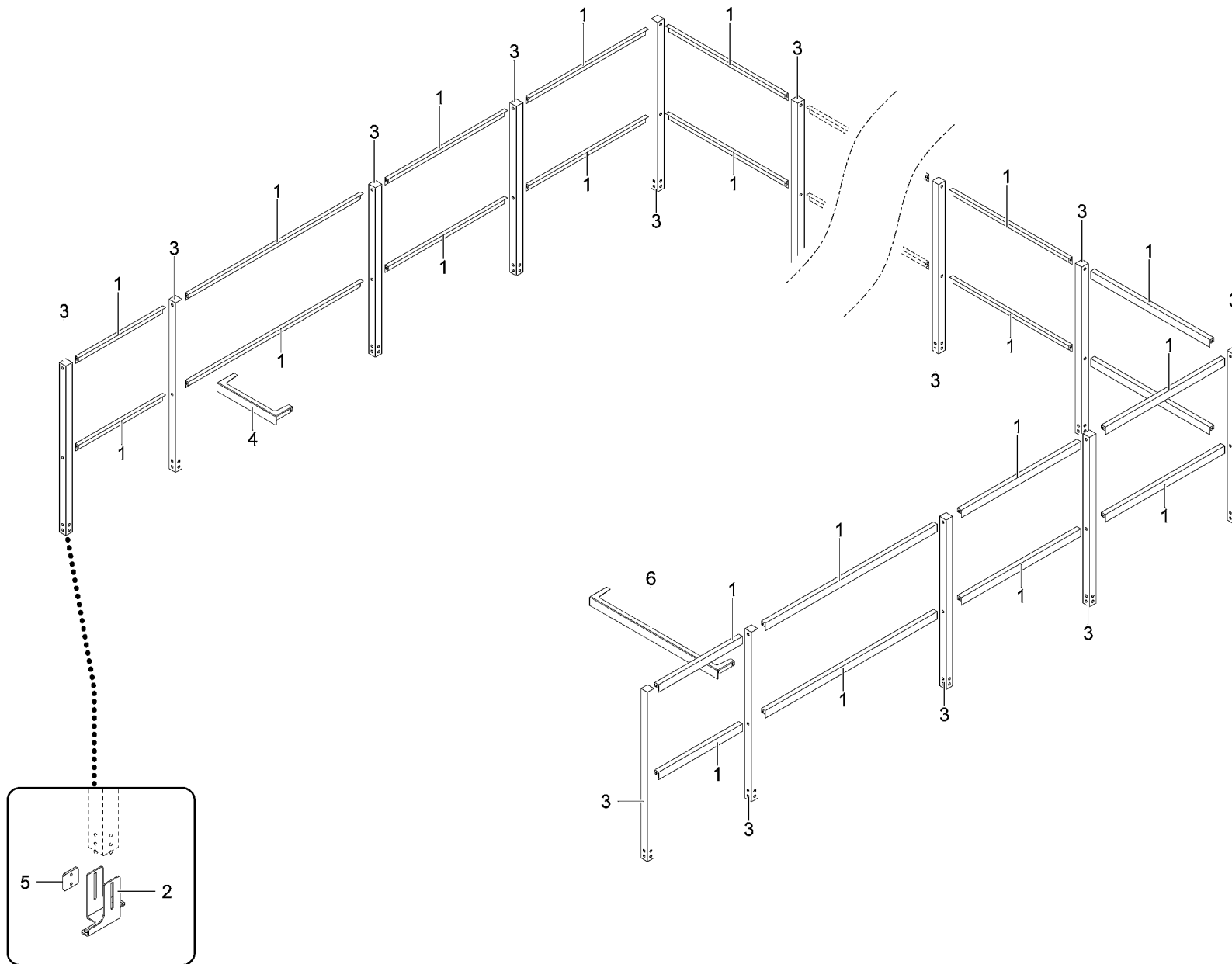
| POSITION | DRAWING/COMPONENT | DESCRIPTION |
|----------|-------------------|-------------|
| 1        | 2042A0440         | SUPPORT     |
| 2        | 2042A0439         | SUPPORT     |
| 3        | 2042A0438         | SUPPORT     |
| 4        | 2042A0441         | SMALL PLATE |

- 1 1205A1368
- 2 0809A0120
- 3 0905A1629
- 4 H0249A02



H0373A00 - LIMIT SWITCH - 23449\_ALL - ROVER S 15-02-2008

| POSITION | DRAWING/COMPONENT | DESCRIPTION         |
|----------|-------------------|---------------------|
| 1        | 1205A1368         | SUPPORT             |
| 2        | 0809A0120         | CAM                 |
| 3        | 0905A1629         | SUPPORT             |
| 4        | H0249A02          | SAFETY LIMIT SWITCH |



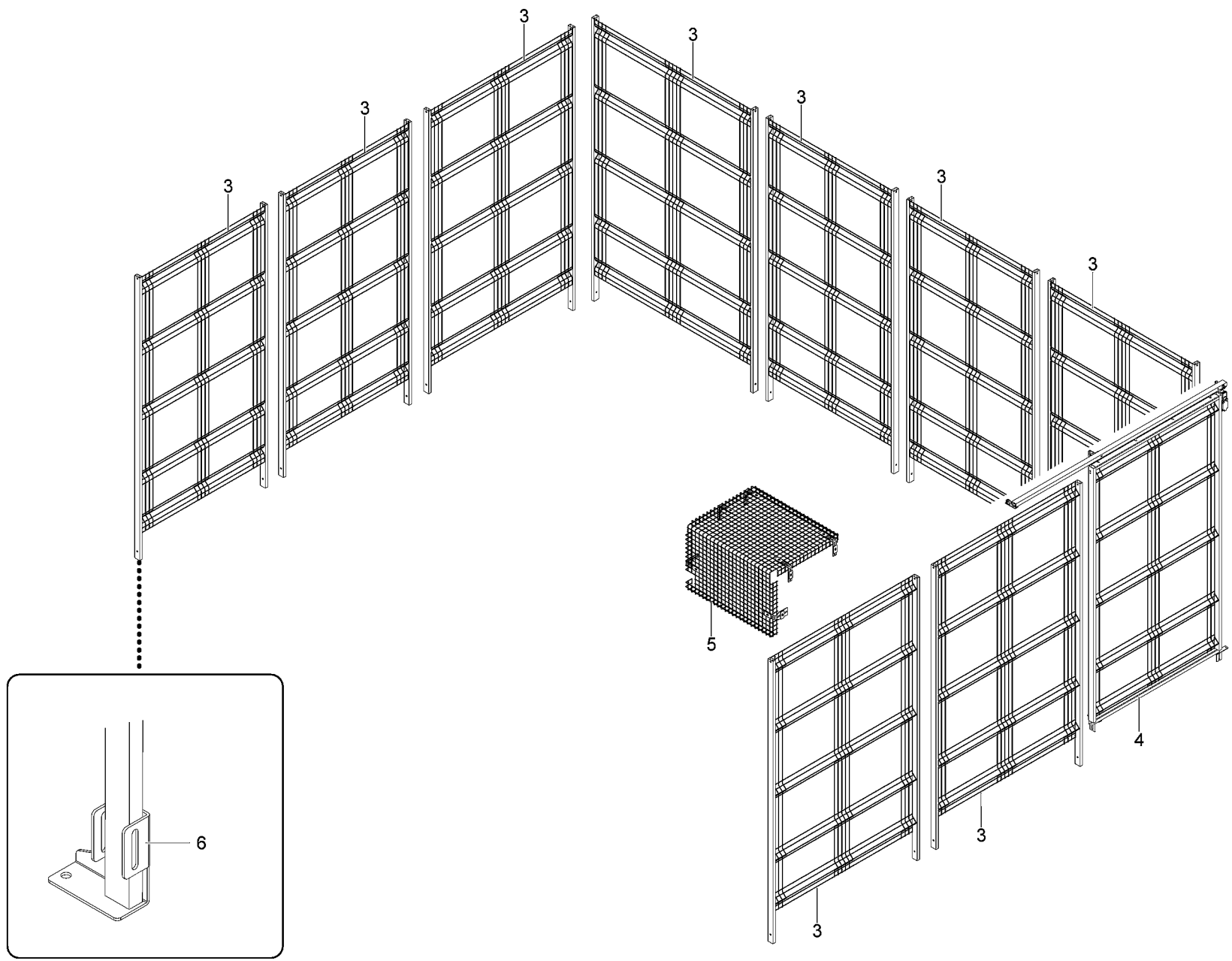
- 1 2042A0046 - L=550
- 1 2042A0399 - L=1350
- 1 2042A0050 - L=850
- 1 2042A0048 - L=1000
- 2 2042A0017
- 3 2042A0044
- 4 2042A0520
- 5 2042A0143
- 6 2042A0521



H0374A00 - PERIMETER GUARD - 23449\_ALL - ROVER S 15-02-2008

| POSITION | DRAWING/COMPONENT | DESCRIPTION    |
|----------|-------------------|----------------|
| 1        | 2042A0046         | SUPPORT L=550  |
| 1        | 2042A0399         | SUPPORT L=1350 |
| 1        | 2042A0050         | SUPPORT L=850  |
| 1        | 2042A0048         | SUPPORT L=1000 |
| 2        | 2042A0017         | FOOT           |
| 3        | 2042A0044         | PROFILE        |
| 4        | 2042A0520         | SUPPORT        |
| 5        | 2042A0143         | FIXING PLATE   |
| 6        | 2042A0521         | SUPPORT        |

- 3 2042A0452 - L=1183
- 3 2042A0455 - L=1303
- 3 2042A0450 - L=1033
- 4 H0376A00
- 5 H0377A00
- 6 H0371A00

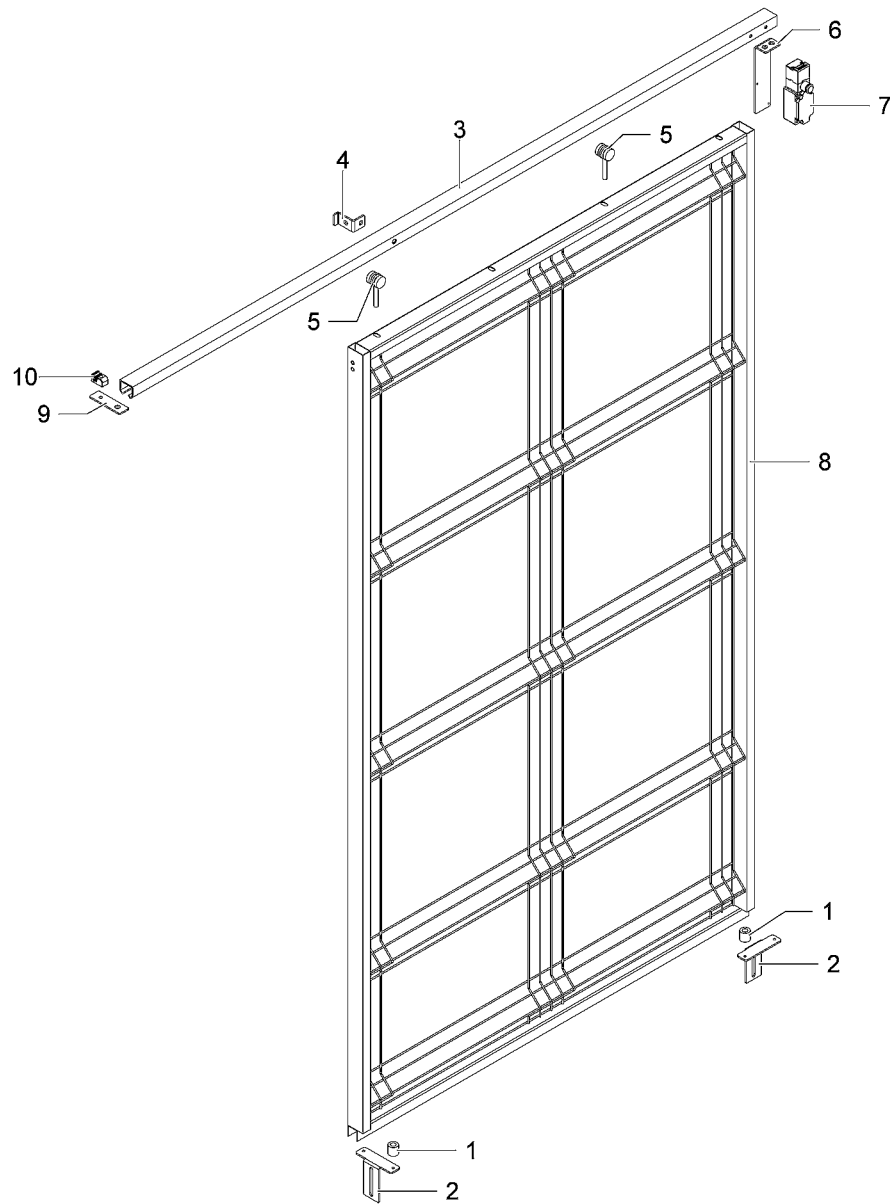


PERIMETER GUARD - 23449\_ALL - ROVER S 15-02-2008

H0375 A  
00

H0375A00 - PERIMETER GUARD - 23449\_ALL - ROVER S 15-02-2008

| POSITION | DRAWING/COMPONENT | DESCRIPTION       |
|----------|-------------------|-------------------|
| 3        | 2042A0452         | MESH GUARD L=1183 |
| 3        | 2042A0455         | MESH GUARD L=1303 |
| 3        | 2042A0450         | MESH GUARD L=1033 |
| 4        | H0376A00          | PERIMETER GUARD   |
| 5        | H0377A00          | PERIMETER GUARD   |
| 6        | H0371A00          | SUPPORT           |

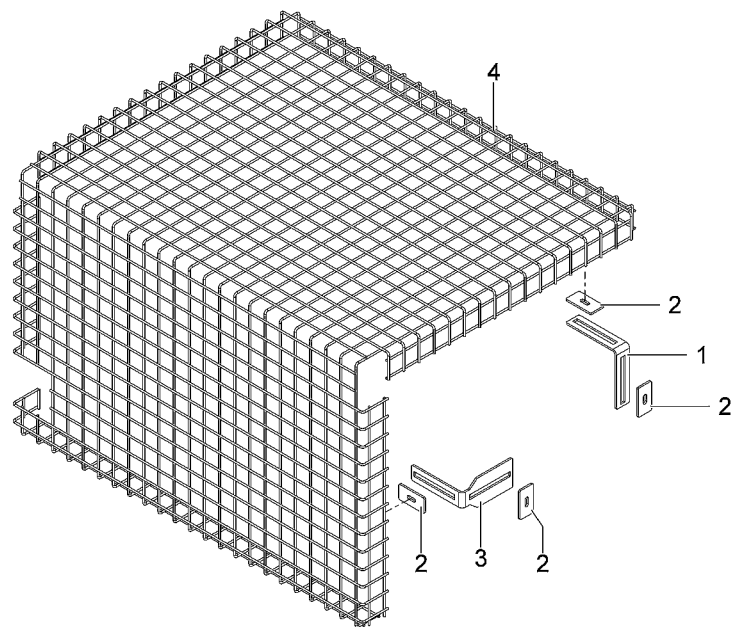


- 1 2042A0446
- 2 2042A0447
- 3 2042A0442
- 4 2042A0444
- 5 202300100
- 6 2042A0445
- 7 H0239A00
- 8 2042A0449
- 9 2042A0448
- 10 2042A0443

H0376A00 - PERIMETER GUARD - 23449\_ALL - ROVER S 15-02-2008

| POSITION | DRAWING/COMPONENT | DESCRIPTION   |
|----------|-------------------|---------------|
| 1        | 2042A0446         | WHEEL         |
| 2        | 2042A0447         | GUIDE         |
| 3        | 2042A0442         | GUIDE         |
| 4        | 2042A0444         | SMALL PLATE   |
| 5        | 202300100         | CARRIAGE      |
| 6        | 2042A0445         | SUPPORT       |
| 7        | H0239A00          | SAFETY SWITCH |
| 8        | 2042A0449         | DOOR          |
| 9        | 2042A0448         | SUPPORT       |
| 10       | 2042A0443         | HOOK          |

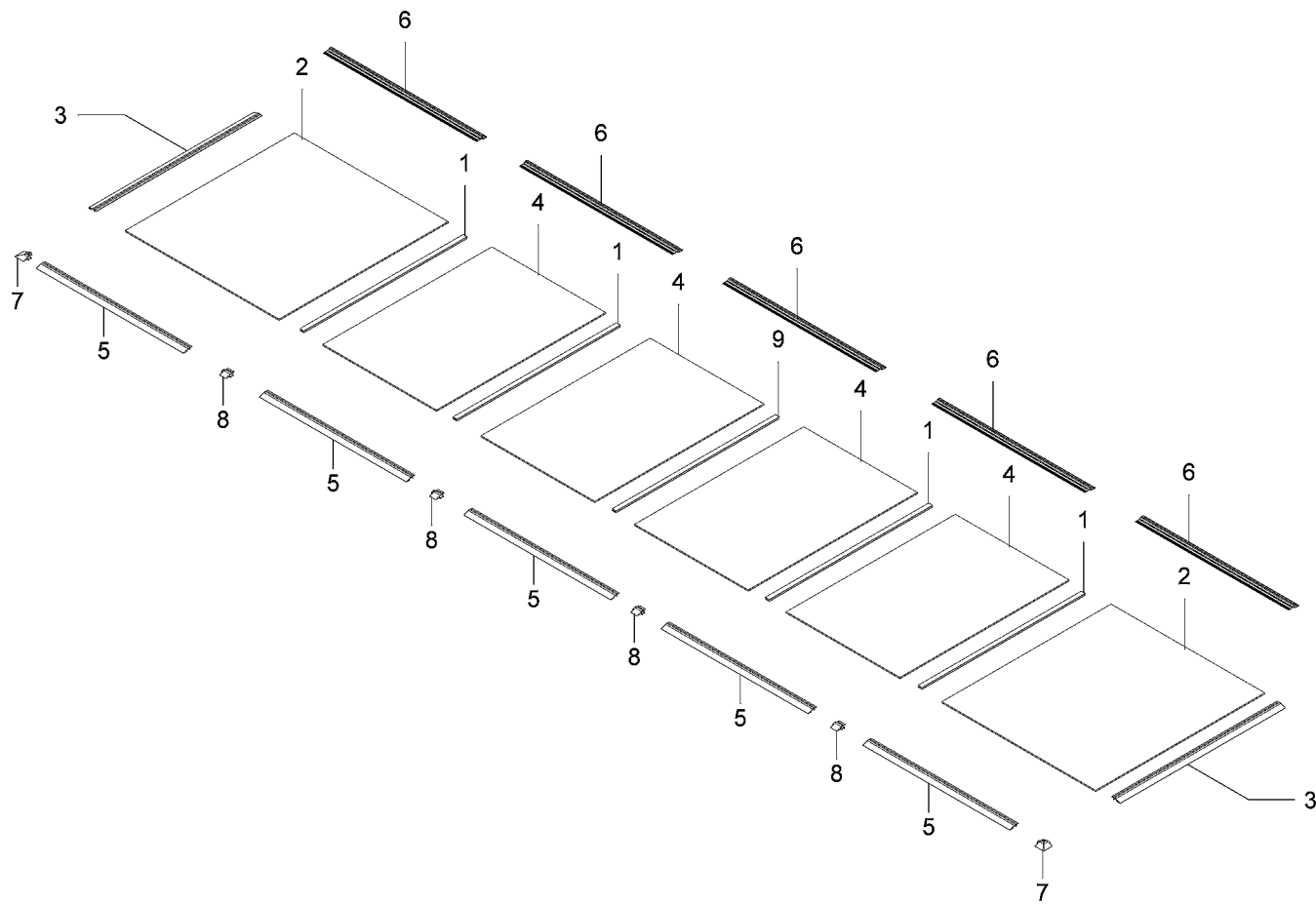
- 1 1205A1894
- 2 1214A1149V
- 3 1205A0911
- 4 2042A0471



H0377A00 - PERIMETER GUARD - 23449\_ALL - ROVER S 15-02-2008

| POSITION | DRAWING/COMPONENT | DESCRIPTION  |
|----------|-------------------|--------------|
| 1        | 1205A1894         | SMALL PLATE  |
| 2        | 1214A1149V        | FIXING PLATE |
| 3        | 1205A0911         | SMALL PLATE  |
| 4        | 2042A0471         | MESH GUARD   |

- 1 2022A0136 - L=1062
- 2 2178A0443 - 1000x1100
- 3 2022A0132 - L=1075
- 4 2178A0446 - 740x1100
- 5 2022A0133 - L=956
- 6 2022A0131 - L=997
- 7 2022A0135
- 8 2022A0134
- 9 2022A0137 - L=1062



CONTACT MAT - 23449\_ALL - ROVER S 15-02-2008

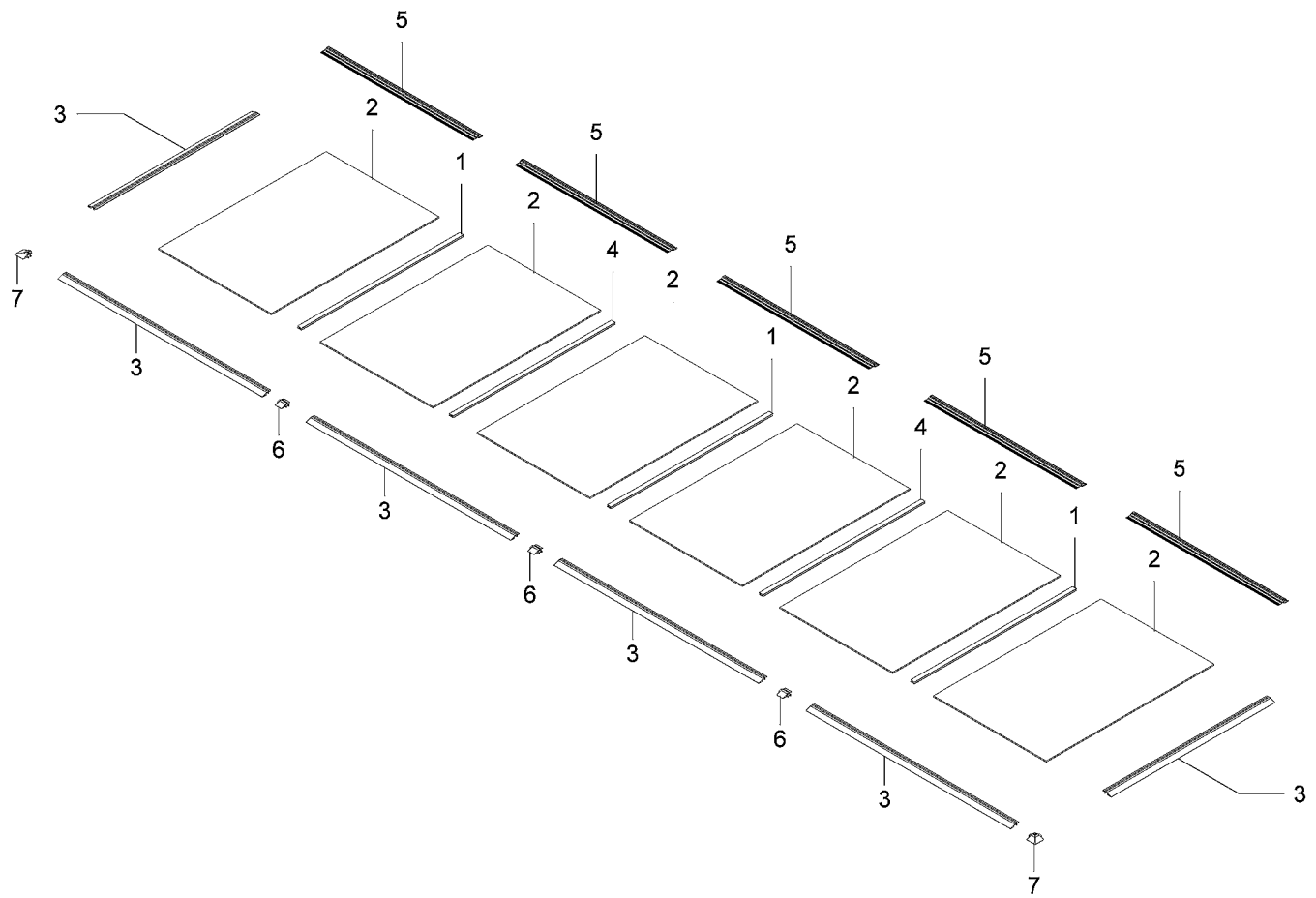
H0409 A  
00



H0409A00 - CONTACT MAT - 23449\_ALL - ROVER S 15-02-2008

| POSITION | DRAWING/COMPONENT | DESCRIPTION           |
|----------|-------------------|-----------------------|
| 1        | 2022A0136         | PROFILE L=1062        |
| 2        | 2178A0443         | CONTACT MAT 1000X1100 |
| 3        | 2022A0132         | PROFILE L=1075        |
| 4        | 2178A0446         | CONTACT MAT 740X1100  |
| 5        | 2022A0133         | PROFILE L=956         |
| 6        | 2022A0131         | PROFILE L=997         |
| 7        | 2022A0135         | JOINT                 |
| 8        | 2022A0134         | JOINT                 |
| 9        | 2022A0137         | PROFILE L=1062        |

- 1 2022A0136 - L=1062
- 2 2178A0446 - 740x1100
- 3 2022A0132 - L=1075
- 4 2022A0137 - L=1062
- 5 2022A0138 - L=893
- 6 2022A0134
- 7 2022A0135



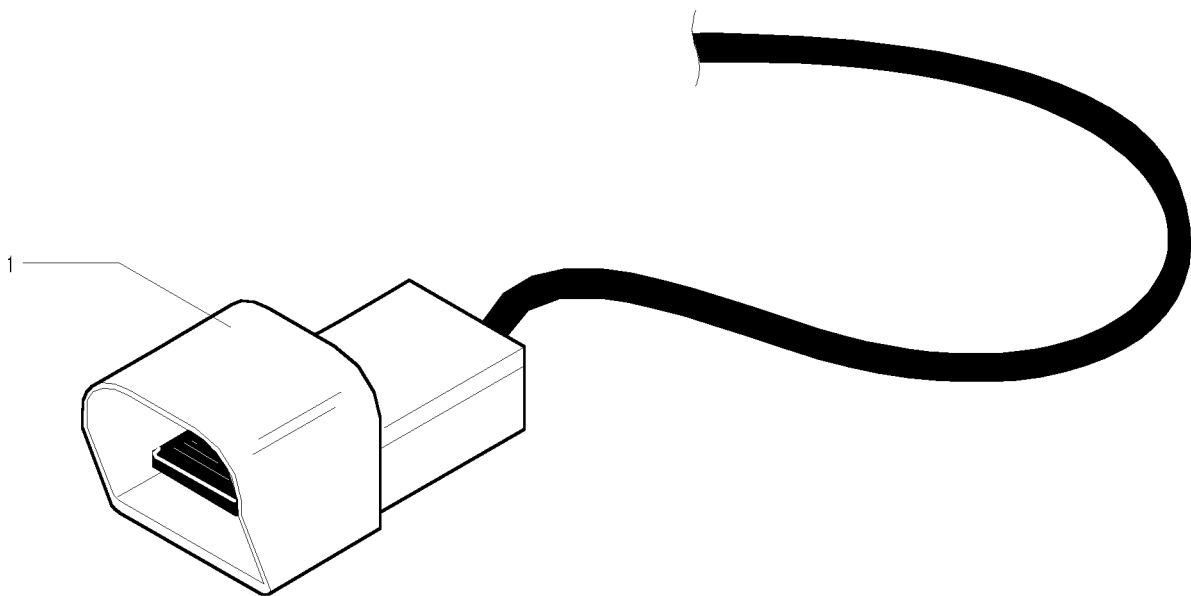
CONTACT MAT - 23449\_ALL - ROVER S 15-02-2008

H0410 A  
00

H0410A00 - CONTACT MAT - 23449\_ALL - ROVER S 15-02-2008

| POSITION | DRAWING/COMPONENT | DESCRIPTION          |
|----------|-------------------|----------------------|
| 1        | 2022A0136         | PROFILE L=1062       |
| 2        | 2178A0446         | CONTACT MAT 740X1100 |
| 3        | 2022A0132         | PROFILE L=1075       |
| 4        | 2022A0137         | PROFILE L=1062       |
| 5        | 2022A0138         | PROFILE L=893        |
| 6        | 2022A0134         | JOINT                |
| 7        | 2022A0135         | JOINT                |

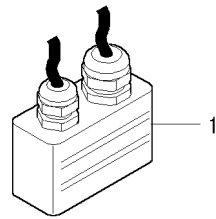
1 2104A0252



M0105A00 - CONTROL PEDAL - 23449\_ALL - ROVER S 15-02-2008

| POSITION | DRAWING/COMPONENT | DESCRIPTION  |
|----------|-------------------|--------------|
| 1        | 2104A0252         | LIMIT SWITCH |

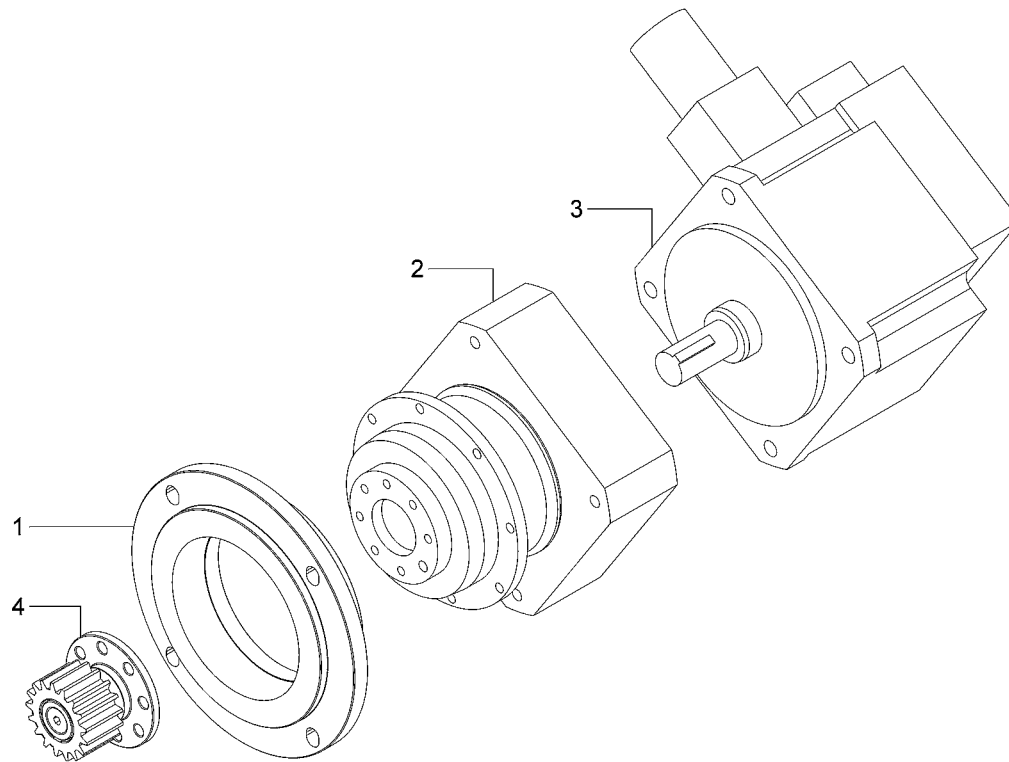
1 6480A0183 - M16-M20  
1 6480A0027



M0131A00 - CONNECTOR - 23449\_ALL - ROVER S 15-02-2008

| POSITION | DRAWING/COMPONENT | DESCRIPTION                  |
|----------|-------------------|------------------------------|
| 1        | 6480A0183         | HINGE MOUNTING PLATE M16-M20 |
| 1        | 6480A0027         | CONNECTOR                    |

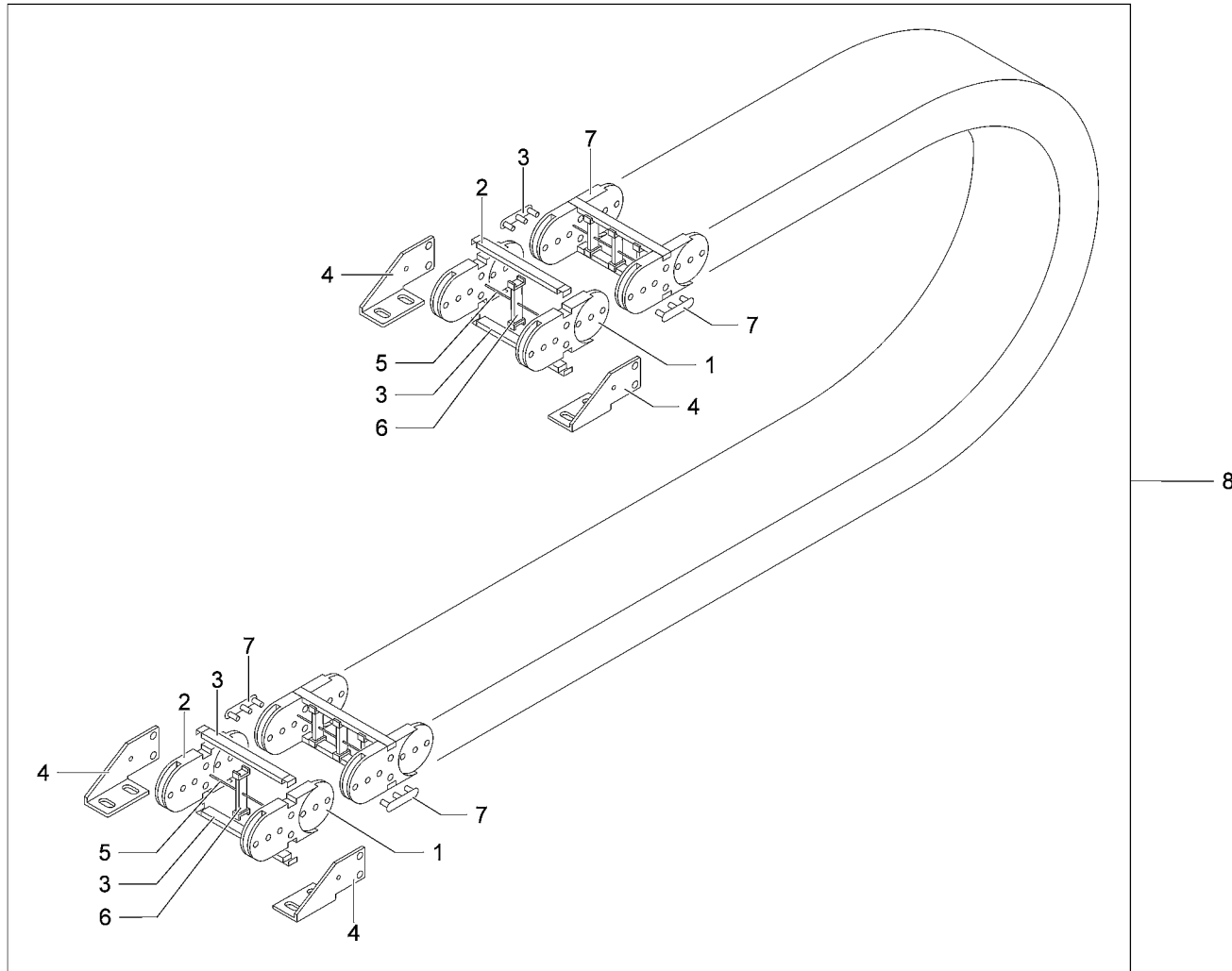
- 1 0801A0499
- 2 2001A0649
- 3 2201A0394 - SGMGH-05DCA.
- 4 6423A0032





M0245A00 - X AXIS MOTOR DRIVE - 23449\_ALL - ROVER S 15-02-2008

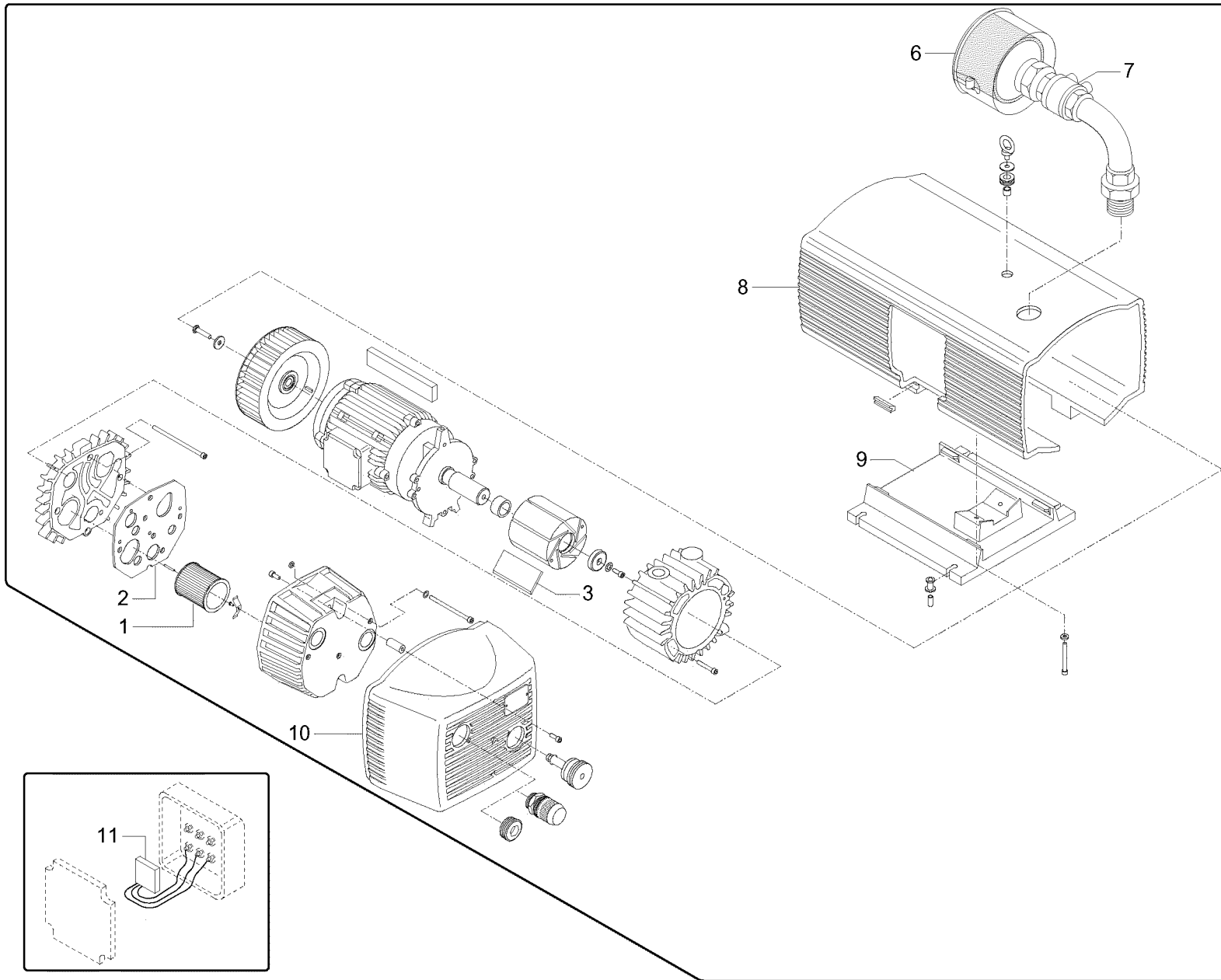
| POSITION | DRAWING/COMPONENT | DESCRIPTION            |
|----------|-------------------|------------------------|
| 1        | 0801A0499         | FLANGE                 |
| 2        | 2001A0649         | REDUCTION UNIT         |
| 3        | 2201A0394         | MOTOR SGMGH-05DCA YG13 |
| 4        | 6423A0032         | PINION                 |



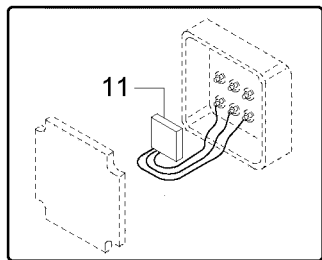
- 1 2004A0294 - M306SE150
- 1 2004A0317 - M306SE200
- 2 2004A0318 - M306SI200
- 2 2004A0316 - M306SI150
- 3 2004A0302 - C445S175
- 3 2004A0296 - C445S136
- 4 2016A0122
- 5 2017A0109 - RLAC04SL175
- 5 2017A0104 - RLAC04SL135..
- 6 2017A0111
- 7 2004A0295
- 8 6415A0518 - SR306-129-1..
- 8 6415A0392 - SR306-168-2..

M0246A00 - CHAIN - 23449\_ALL - ROVER S 15-02-2008

| POSITION | DRAWING/COMPONENT | DESCRIPTION                          |
|----------|-------------------|--------------------------------------|
| 1        | 2004A0294         | LINK M306SE150                       |
| 1        | 2004A0317         | LINK M306SE200                       |
| 2        | 2004A0318         | LINK M306SI200                       |
| 2        | 2004A0316         | LINK M306SI150                       |
| 3        | 2004A0302         | COVER C445S175                       |
| 3        | 2004A0296         | COVER C445S136                       |
| 4        | 2016A0122         | COUPLING                             |
| 5        | 2017A0109         | SEPARATOR RLAC04SL175                |
| 5        | 2017A0104         | SEPARATOR RLAC04SL135X               |
| 6        | 2017A0111         | SEPARATOR                            |
| 7        | 2004A0295         | PIN                                  |
| 8        | 6415A0518         | CABLE RACEWAYS SR306-129-150D-L=1430 |
| 8        | 6415A0392         | CABLE RACEWAYS SR306-168-200D-L=2405 |



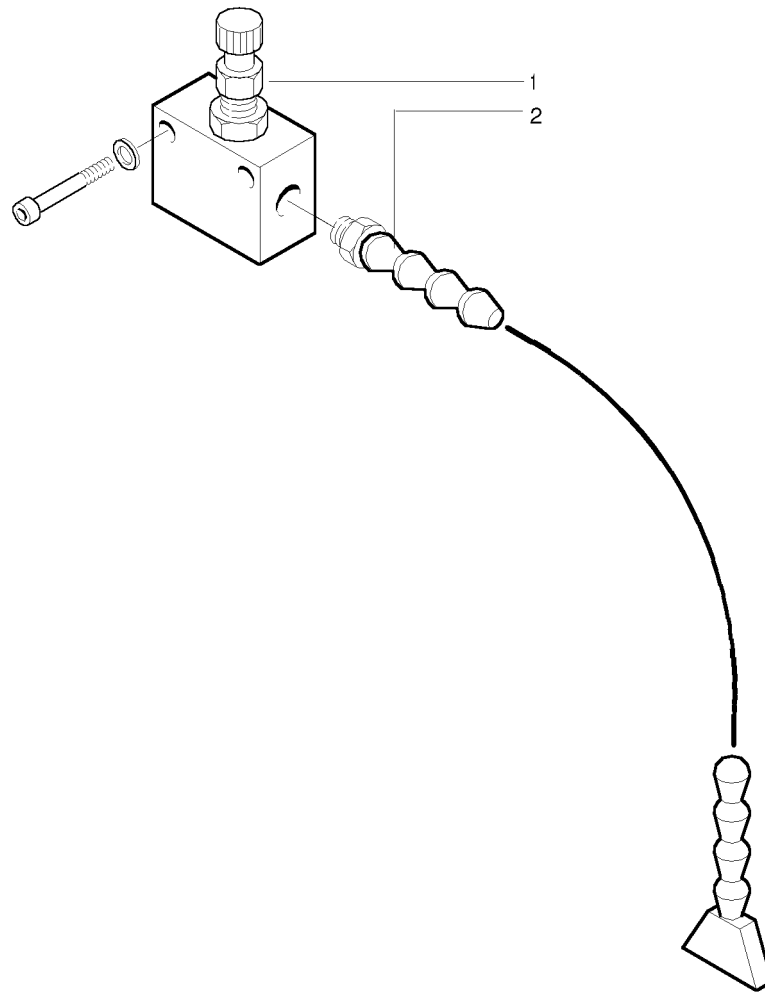
- 1 750123184 - VT 40 m3/h
- 2 750123182 - VT 40 m3/h
- 3 6414A0001
- 5 402501100 - 40 M3/H
- 6 750123212 - KVT 100 m3/..
- 7 2413A0009
- 8 2003A0009
- 9 2025A0004
- 10 2003A0010
- 11 2163A0046



N0105A06 - VACUUM PUMP - 40 M3/H - 23449\_ALL - ROVER S 15-02-2008

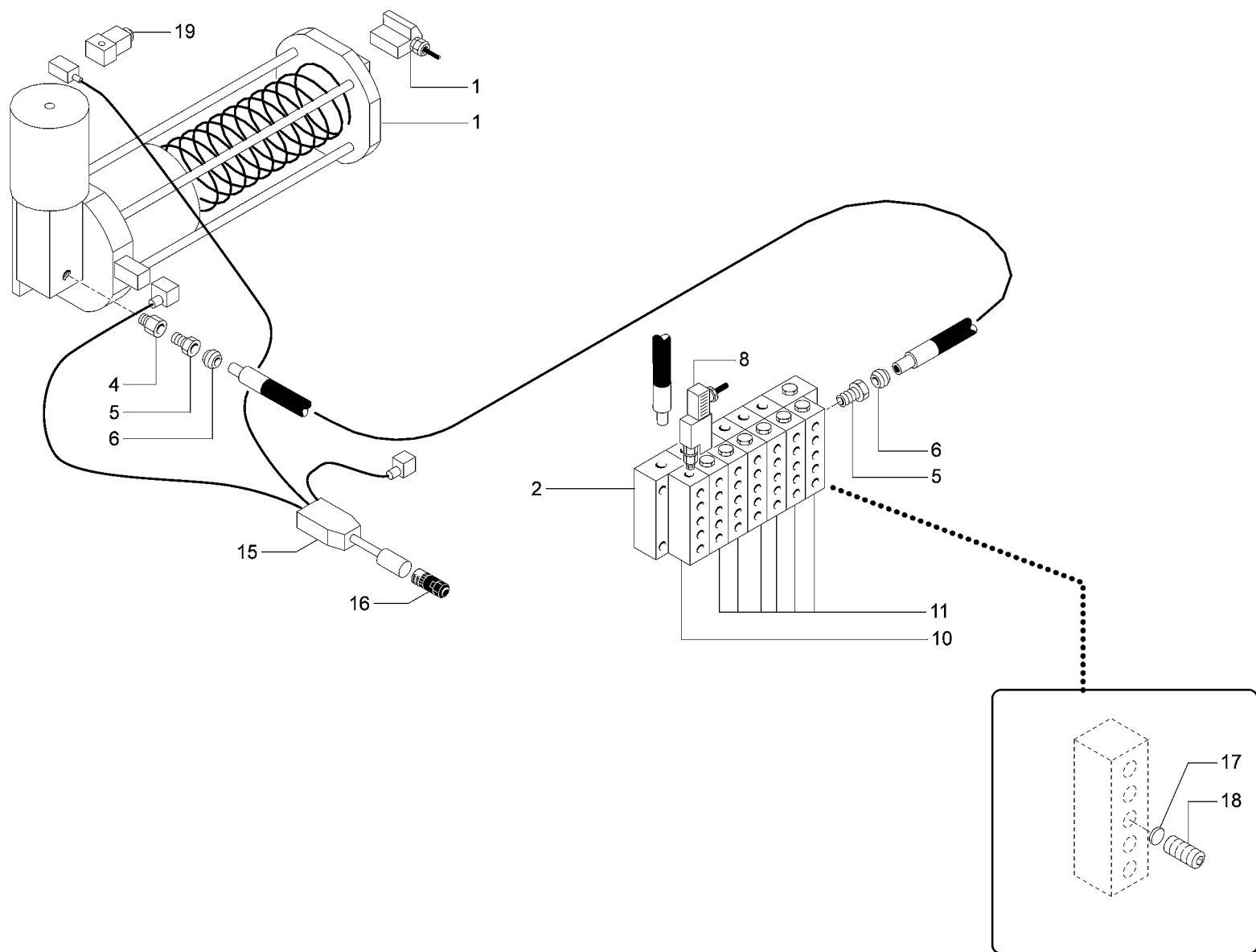
| POSITION | DRAWING/COMPONENT | DESCRIPTION         |
|----------|-------------------|---------------------|
| 1        | 750123184         | FILTER VT 40 M3/H   |
| 2        | 750123182         | GASKET VT 40 M3/H   |
| 3        | 6414A0001         | BLADE               |
| 5        | 402501100         | VACUUM PUMP 40 M3/H |
| 6        | 750123212         | FILTER KVT 100 M3/H |
| 7        | 2413A0009         | VALVE               |
| 8        | 2003A0009         | CASING              |
| 9        | 2025A0004         | FOOT                |
| 10       | 2003A0010         | CASING              |
| 11       | 2163A0046         | FILTRO              |

- 1 241400900 - f=1/8
- 2 165500100 - G1/8



N0110A01 - BLOWER - 23449\_ALL - ROVER S 15-02-2008

| POSITION | DRAWING/COMPONENT | DESCRIPTION          |
|----------|-------------------|----------------------|
| 1        | 241400900         | FLOW REGULATOR F=1/8 |
| 2        | 165500100         | BLOWER G1/8          |

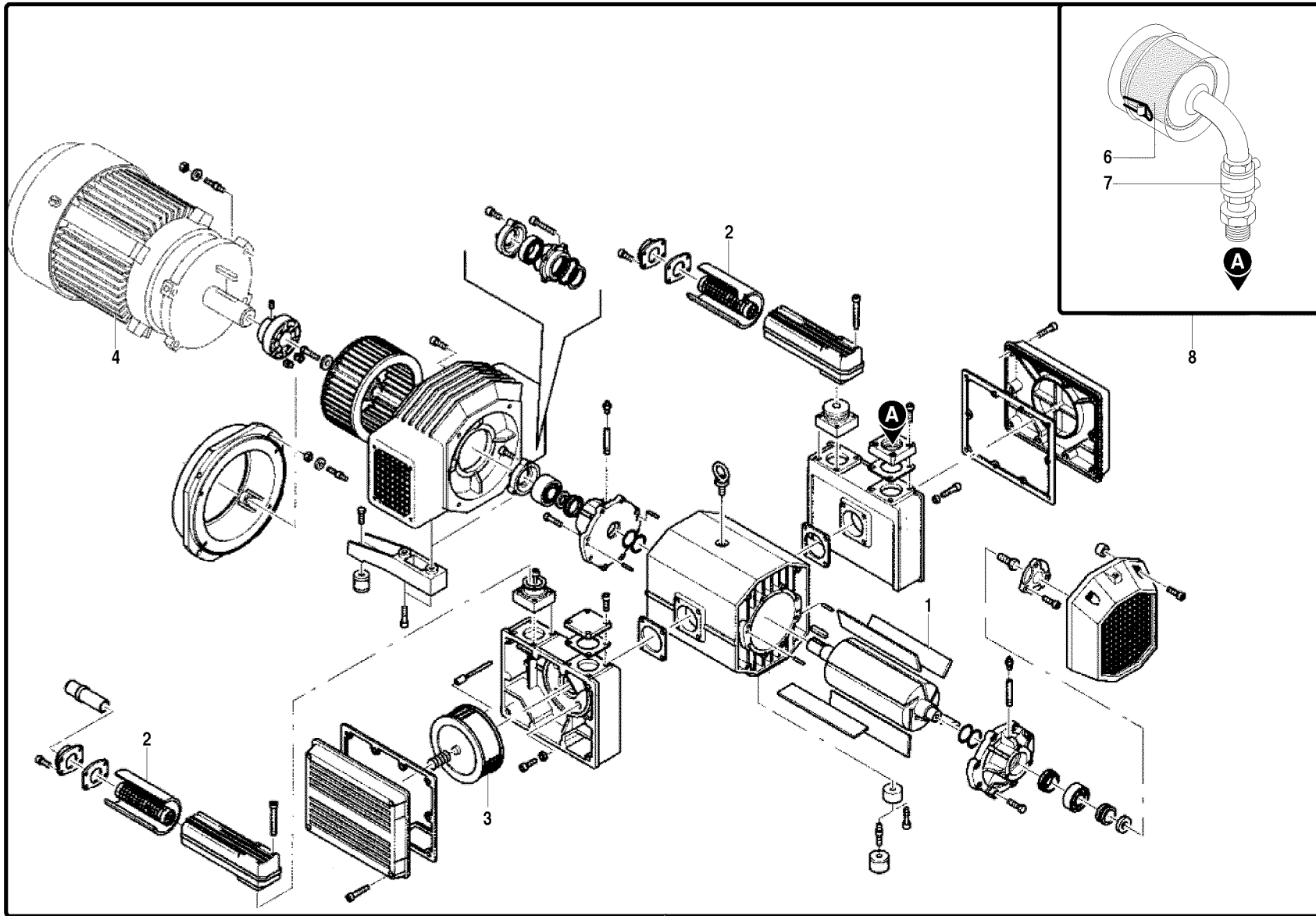


- 1 2602A0001 - 1-2CC-2KG 3..
- 2 2620A0017 - SM0 0,04 CC
- 2 2620A0008 - SMO 0,04 CC
- 4 2615A0006 - D=6-G1/4
- 5 2615A0007 - D=6-G1/8
- 6 2614A0002 - D.6
- 8 2104A0017
- 10 2620A0028 - SM0 25 LR
- 11 2620A0013 - SM0 0,25 CC..
- 11 2620A0018 - SM0 0,08 CC
- 15 6480A0125 - F=M12 POLE ..
- 16 2138A0467 - f=M12 POLE ..
- 17 2620A0055
- 18 2620A0054
- 19 2304A0013 - 1/8



## N0139A09 - LUBRICATION SYSTEM - 23449\_ALL - ROVER S 15-02-2008

| POSITION | DRAWING/COMPONENT | DESCRIPTION                               |
|----------|-------------------|---|
| 1        | 2602A0001         | LUBRICATION PUMP 1-2CC-2KG 3413026 DROPSA |
| 2        | 2620A0017         | DISTRIBUTOR SM0 0,04 CC                   |
| 2        | 2620A0008         | DISTRIBUTOR SMO 0,04 CC                   |
| 4        | 2615A0006         | CONNECTOR D=6-G1/4                        |
| 5        | 2615A0007         | CONNECTOR D=6-G1/8                        |
| 6        | 2614A0002         | OGIVE D.6                                 |
| 8        | 2104A0017         | SENSOR                                    |
| 10       | 2620A0028         | BATCHER SM0 25 LR                         |
| 11       | 2620A0013         | DISTRIBUTOR SM0 0,25 CC NA                |
| 11       | 2620A0018         | DISTRIBUTOR SM0 0,08 CC                   |
| 15       | 6480A0125         | CABLE F=M12 POLE 5                        |
| 16       | 2138A0467         | SOCKET F=M12 POLE 5                       |
| 17       | 2620A0055         | HARD DISK                                 |
| 18       | 2620A0054         | ADAPTER                                   |
| 19       | 2304A0013         | MICROREGULATOR 1/8                        |



- 1 6414A0003 - VTLF 250 m3..
- 2 2412A0005 - VTLF 250 m3..
- 3 2422A0012
- 4 2202A0025
- 5 6404A0004 - 250 M3/H
- 6 2422A0014
- 7 2413A0014
- 8 6420A0025

5

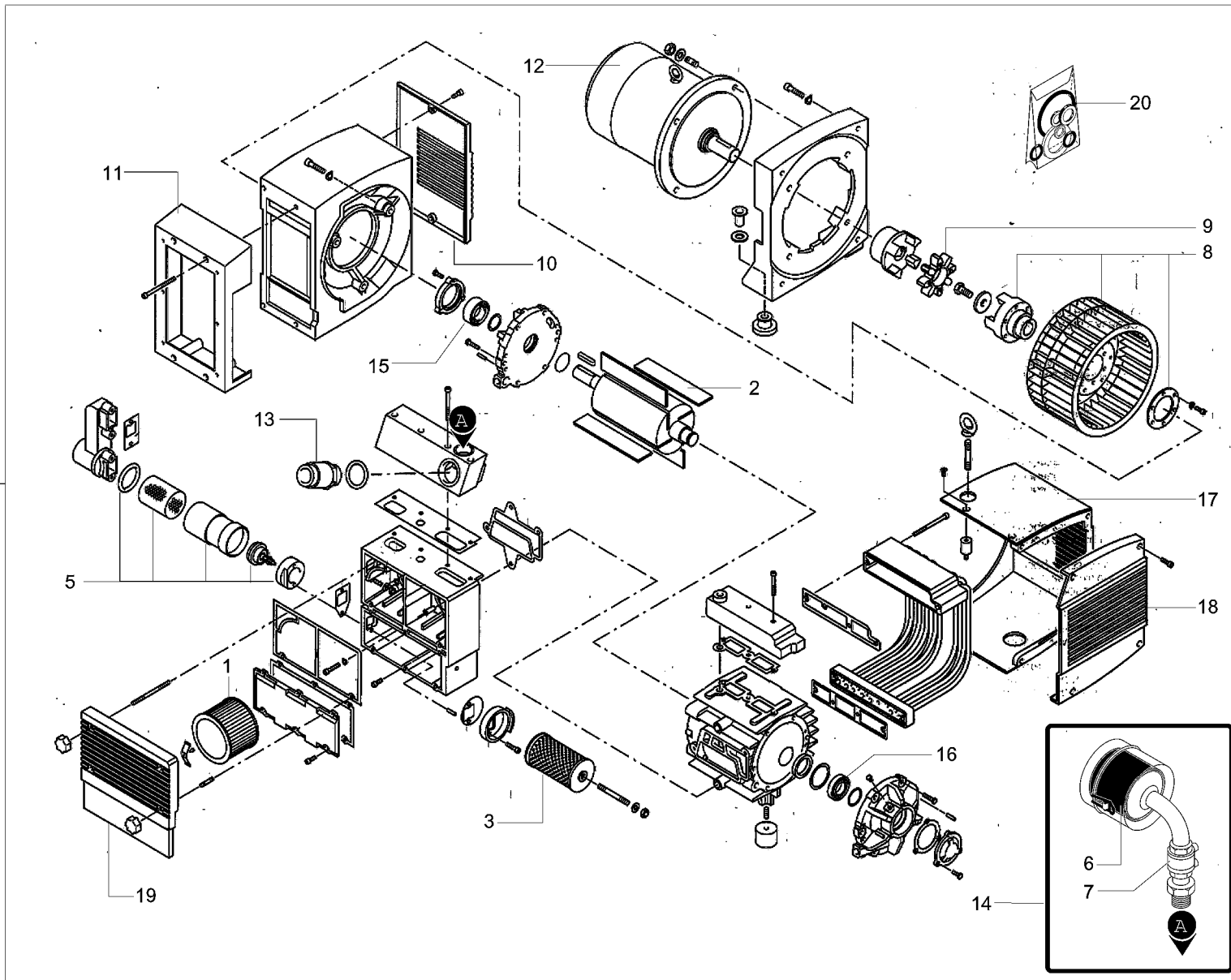


VACUUM PUMP - 250 M3/H - 23449\_ALL - ROVER S 15-02-2008

N0160 A  
01

N0160A01 - VACUUM PUMP - 250 M3/H - 23449\_ALL - ROVER S 15-02-2008

| POSITION | DRAWING/COMPONENT | DESCRIPTION            |
|----------|-------------------|------------------------|
| 1        | 6414A0003         | BLADE VTLF 250 M3/H    |
| 2        | 2412A0005         | SILENCER VTLF 250 M3/H |
| 3        | 2422A0012         | FILTER                 |
| 4        | 2202A0025         | MOTOR                  |
| 5        | 6404A0004         | VACUUM PUMP 250 M3/H   |
| 6        | 2422A0014         | CARTRIDGE              |
| 7        | 2413A0014         | VALVE                  |
| 8        | 6420A0025         | FILTER                 |

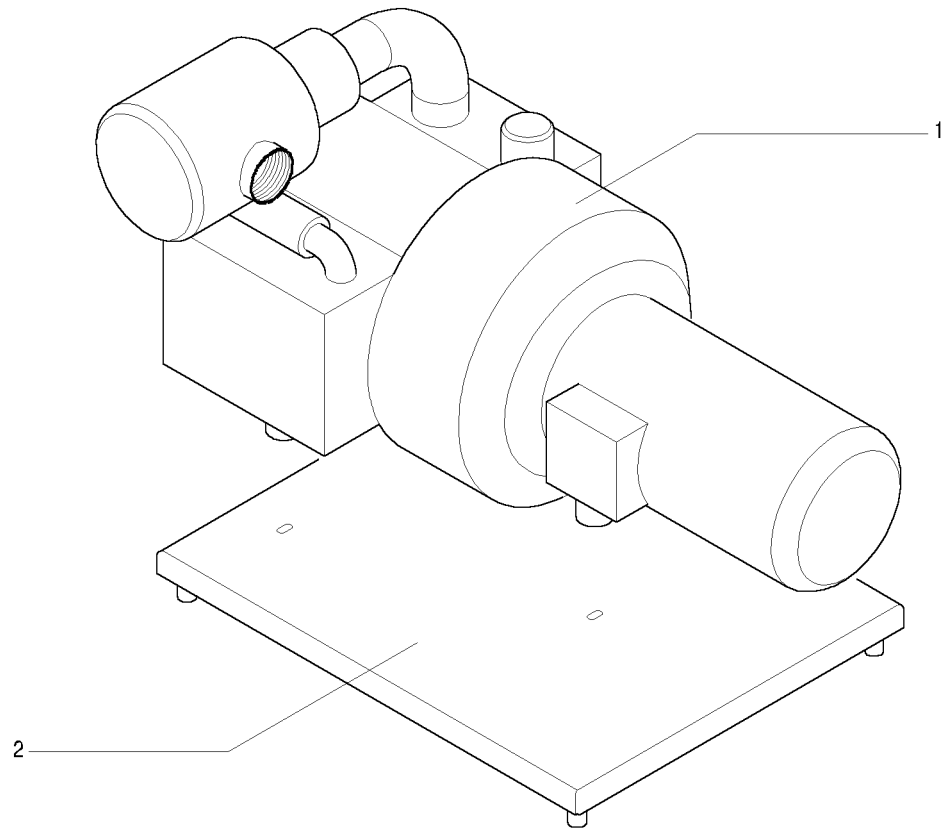


- 1 750123211 - KVT 100 m3/..
- 2 6414A0007
- 3 750123213 - KVT 100 m3/..
- 5 2412A0057
- 6 750123212 - KVT 100 m3/..
- 7 2413A0007
- 8 2161A0065
- 9 2707A0030
- 10 1208A1258
- 11 1208A1259
- 12 2202A0027
- 13 2413A0019
- 14 6420A0009
- 15 290400600 - 25-52-20,6
- 16 750123222
- 17 2003A0013
- 18 2003A0014
- 19 2003A0016
- 20 750123188
- 21 6404A0023 - 90 M3/H

N0189A03 - VACUUM PUMP - 90 M3/H - 23449\_ALL - ROVER S 15-02-2008

| POSITION | DRAWING/COMPONENT | DESCRIPTION         |
|----------|-------------------|---------------------|
| 1        | 750123211         | FILTER KVT 100 M3/H |
| 2        | 6414A0007         | BLADE               |
| 3        | 750123213         | FILTER KVT 100 M3/H |
| 5        | 2412A0057         | SILENCER            |
| 6        | 750123212         | FILTER KVT 100 M3/H |
| 7        | 2413A0007         | VALVE               |
| 8        | 2161A0065         | COOLING FAN         |
| 9        | 2707A0030         | JOINT               |
| 10       | 1208A1258         | CASING              |
| 11       | 1208A1259         | CASING              |
| 12       | 2202A0027         | MOTOR               |
| 13       | 2413A0019         | VALVE               |
| 14       | 6420A0009         | FILTER              |
| 15       | 290400600         | BEARING 25-52-20,6  |
| 16       | 750123222         | BEARING             |
| 17       | 2003A0013         | CASING              |
| 18       | 2003A0014         | CASING              |
| 19       | 2003A0016         | CASING              |
| 20       | 750123188         | GASKET KIT          |
| 21       | 6404A0023         | VACUUM PUMP 90 M3/H |

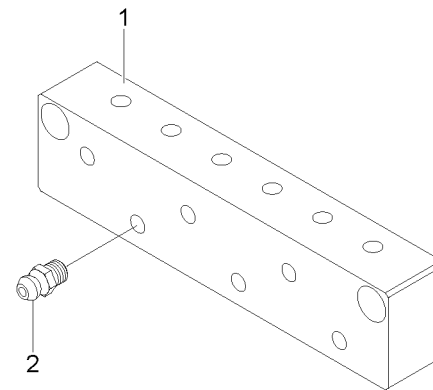
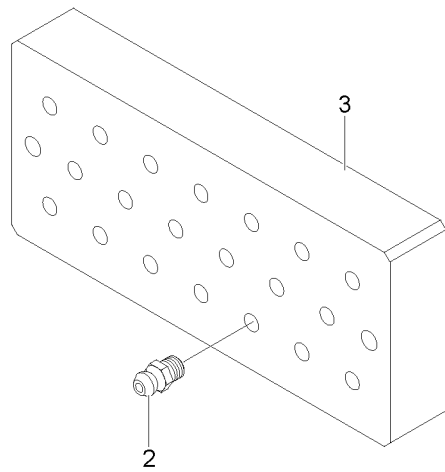
- 1 N0160A01 - 250 M3/H
- 1 N0189A03 - 90 M3/H
- 1 N0105A06 - 40 M3/H
- 2 1305A0080V - 100 m3/h



N0211A00 - VACUUM PUMP - 23449\_ALL - ROVER S 15-02-2008

| POSITION | DRAWING/COMPONENT | DESCRIPTION          |
|----------|-------------------|----------------------|
| 1        | N0160A01          | VACUUM PUMP 250 M3/H |
| 1        | N0189A03          | VACUUM PUMP 90 M3/H  |
| 1        | N0105A06          | VACUUM PUMP 40 M3/H  |
| 2        | 1305A0080V        | SUPPORT 100 M3/H     |

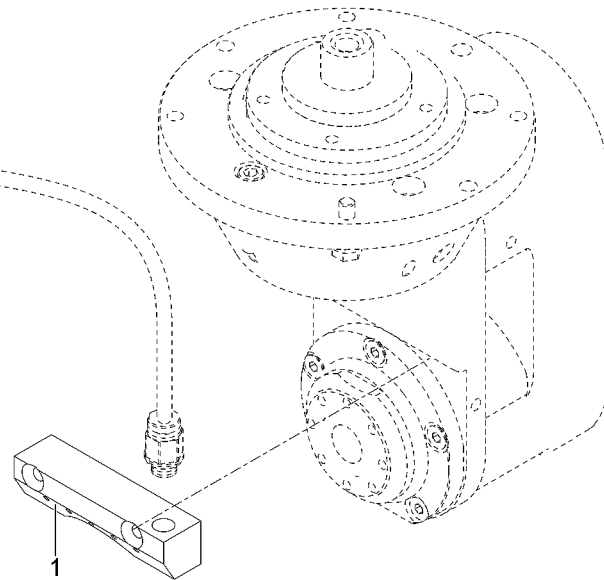
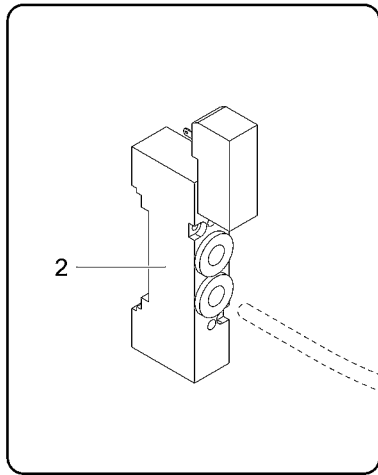
1 0913A0141  
2 260500700

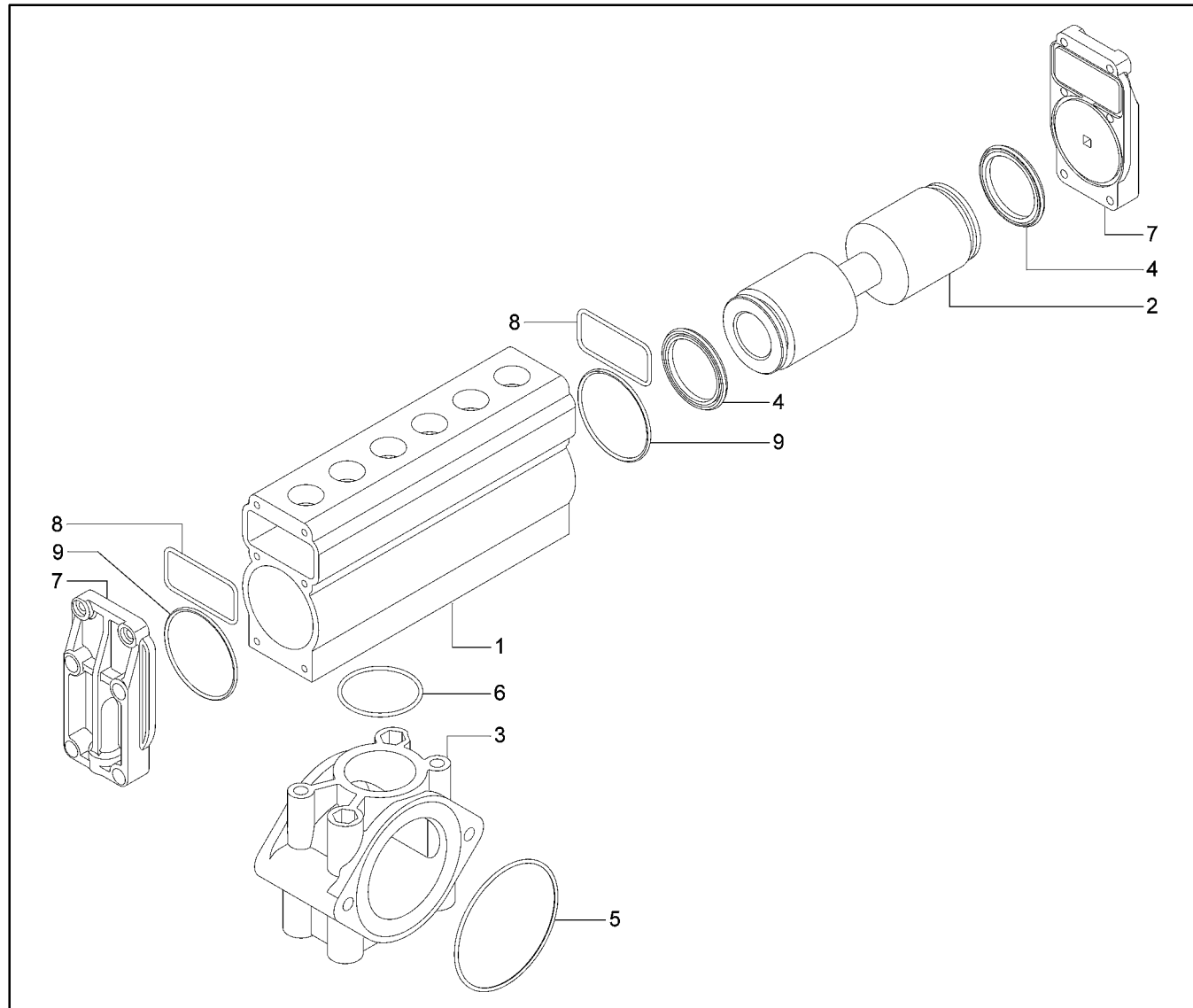




N0279A00 - LUBRICATION SYSTEM - 23449\_ALL - ROVER S 15-02-2008

| POSITION | DRAWING/COMPONENT | DESCRIPTION     |
|----------|-------------------|-----------------|
| 1        | 0913A0141         | DISTRIBUTOR     |
| 2        | 260500700         | GREASING NIPPLE |



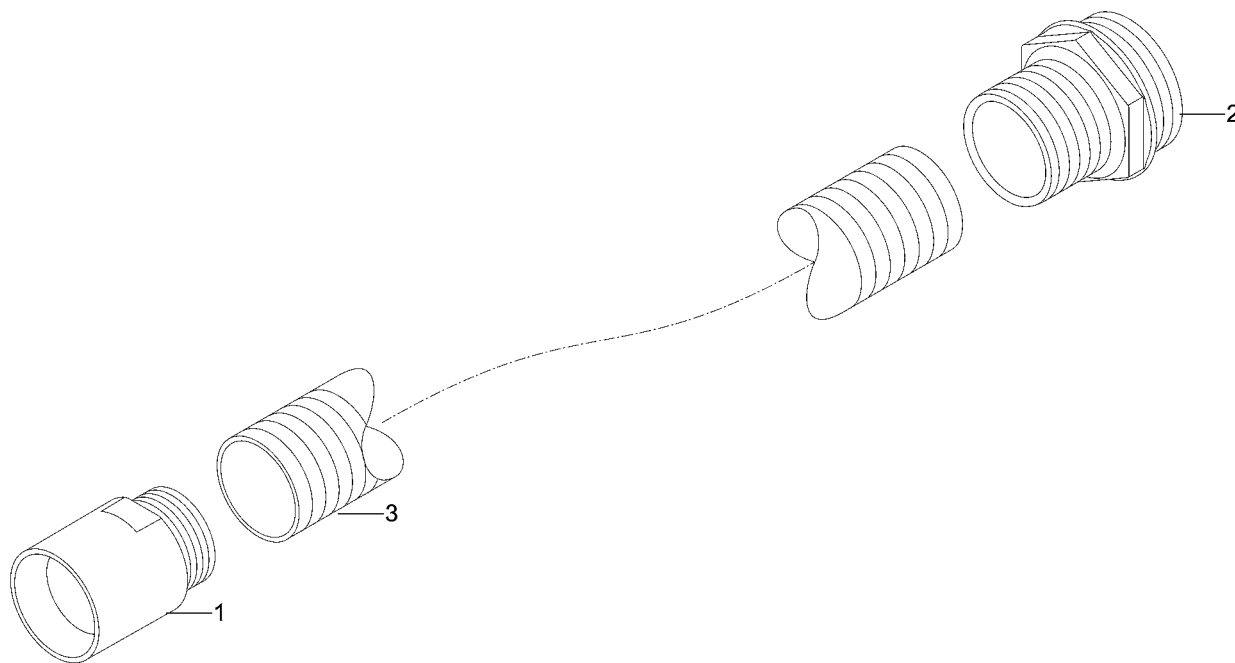


10

N0320A01 - DISTRIBUTOR - 23449\_ALL - ROVER S 15-02-2008

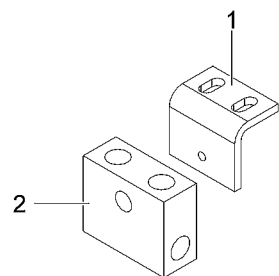
| POSITION | DRAWING/COMPONENT | DESCRIPTION      |
|----------|-------------------|------------------|
| 10       | 6358A1078         | VACUUM VALVE ATS |

- 1 0804A0223
- 2 1401A0071 - D=50
- 3 2443A0006 - D=50

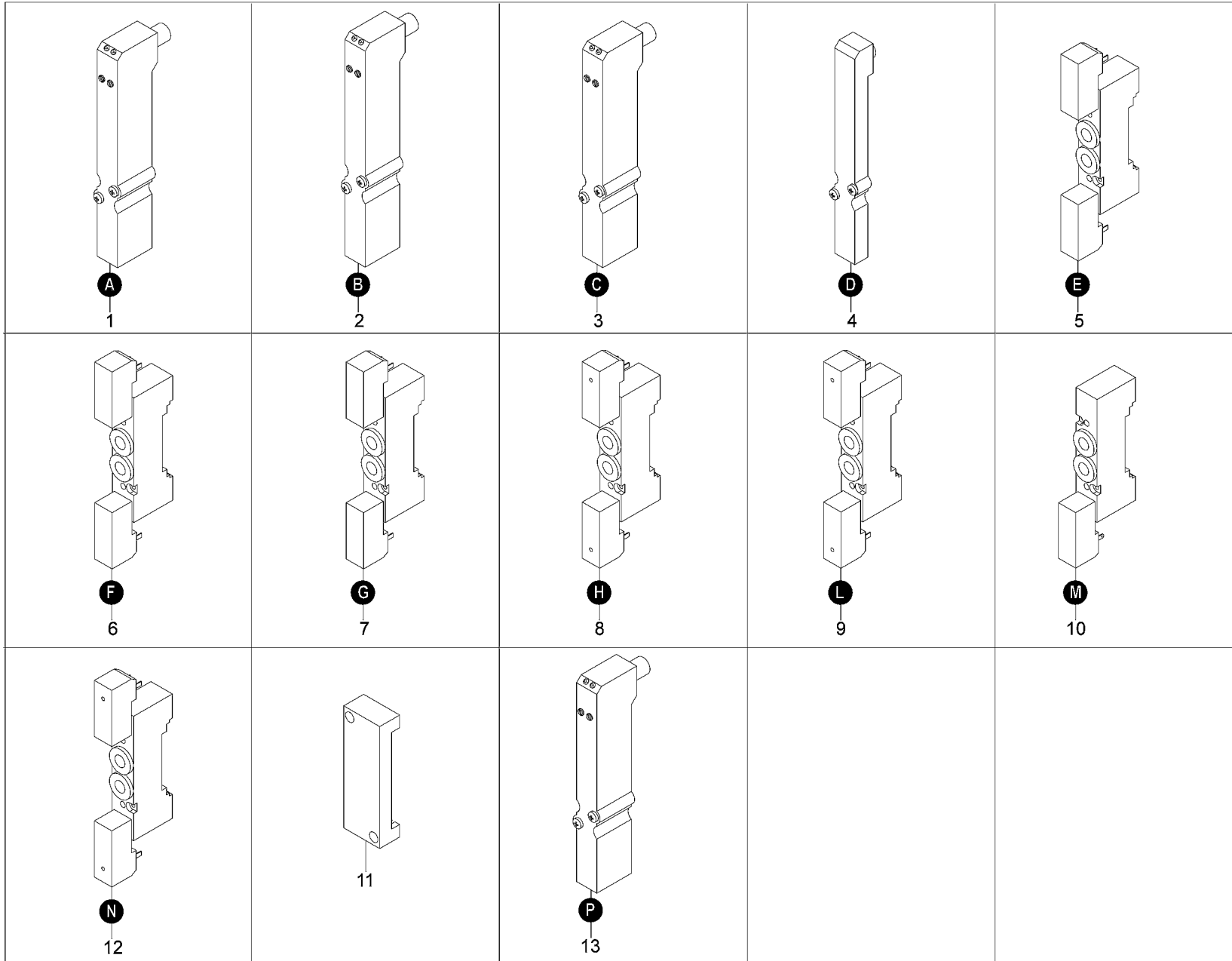


N0322A00 - PNEUMATIC SYSTEM - 23449\_ALL - ROVER S 15-02-2008

| POSITION | DRAWING/COMPONENT | DESCRIPTION      |
|----------|-------------------|------------------|
| 1        | 0804A0223         | OUTLET CONNECTOR |
| 2        | 1401A0071         | FLANGE D=50      |
| 3        | 2443A0006         | PIPE D=50        |



1 6425A0130  
 3 6425A0132  
 13 6425A0131

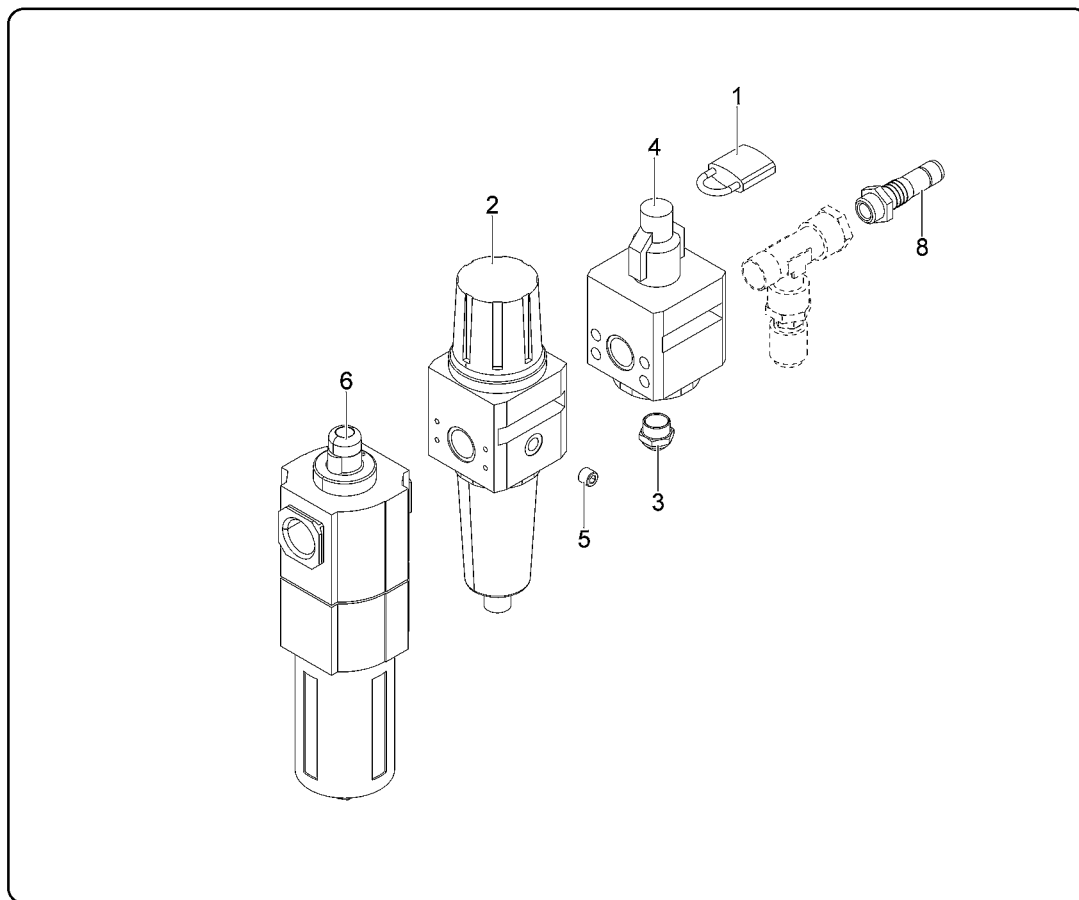




N0336A01 - ELECTROVALVE - 23449\_ALL - ROVER S 15-02-2008

| POSITION | DRAWING/COMPONENT | DESCRIPTION  |
|----------|-------------------|--------------|
| 1        | 6425A0130         | ELECTROVALVE |
| 3        | 6425A0132         | ELECTROVALVE |
| 13       | 6425A0131         | ELECTROVALVE |

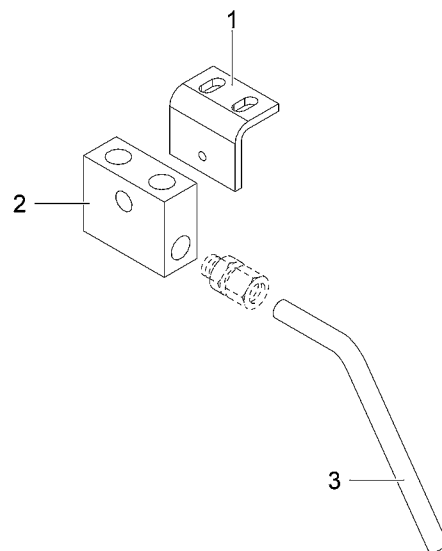
- 1 2010A0006
- 2 2422A0114
- 3 2412A0022
- 4 2413A0006
- 5 245510800 - F=1/8
- 6 2422A0203
- 7 6420A0119
- 8 0804A0285



N0365A00 - MAIN FILTER - 23449\_ALL - ROVER S 15-02-2008

| POSITION | DRAWING/COMPONENT | DESCRIPTION |
|----------|-------------------|-------------|
| 1        | 2010A0006         | LOCK        |
| 2        | 2422A0114         | FILTER      |
| 3        | 2412A0022         | SILENCER    |
| 4        | 2413A0006         | VALVE       |
| 5        | 245510800         | PLUG F=1/8  |
| 6        | 2422A0203         | CONNECTOR   |
| 7        | 6420A0119         | FILTER UNIT |
| 8        | 0804A0285         | CONNECTOR   |

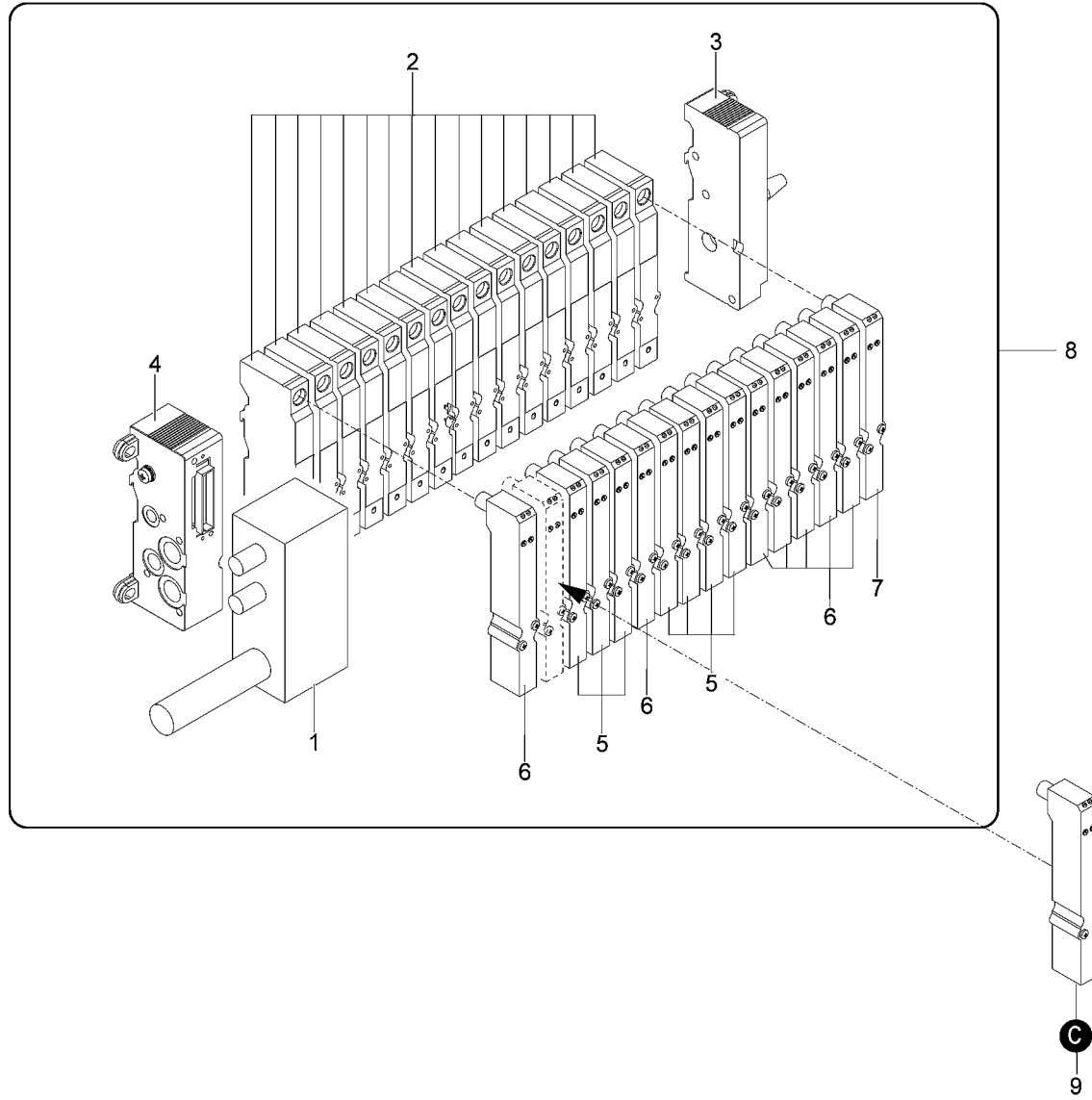
- 1 1205A0853
- 2 091302800 - ISO 30
- 3 1113A0039



N0377A00 - BLOWER - 23449\_ALL - ROVER S 15-02-2008

| POSITION | DRAWING/COMPONENT | DESCRIPTION  |
|----------|-------------------|--------------|
| 1        | 1205A0853         | SUPPORT      |
| 2        | 091302800         | BLOCK ISO 30 |
| 3        | 1113A0039         | PIPE         |

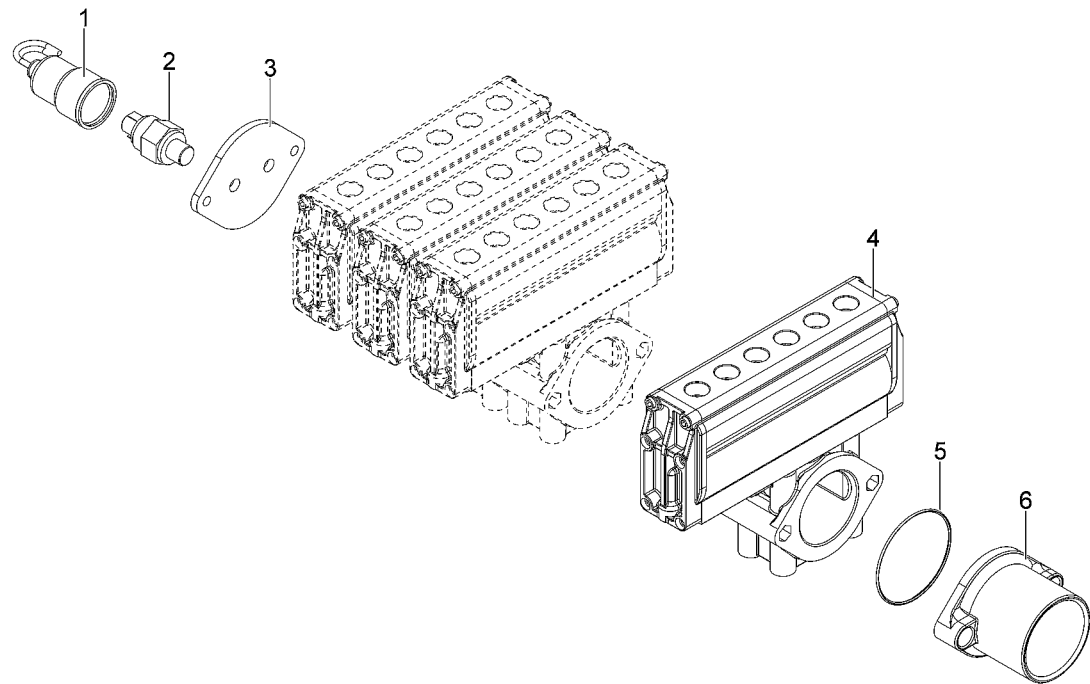
- 1 6483A0010
- 2 2306A0046
- 3 2307A0008
- 4 2307A0009
- 5 6425A0130
- 6 6425A0132
- 7 6425A0135
- 8 6362A0517
- 9 N0336A01



N0379A00 - ELECTROVALVE - 23449\_ALL - ROVER S 15-02-2008

| POSITION | DRAWING/COMPONENT | DESCRIPTION  |
|----------|-------------------|--------------|
| 1        | 6483A0010         | COMMAND UNIT |
| 2        | 2306A0046         | PLATE        |
| 3        | 2307A0008         | END          |
| 4        | 2307A0009         | END          |
| 5        | 6425A0130         | ELECTROVALVE |
| 6        | 6425A0132         | ELECTROVALVE |
| 7        | 6425A0135         | ELECTROVALVE |
| 8        | 6362A0517         | ELECTROVALVE |
| 9        | N0336A01          | ELECTROVALVE |

- 1 2138A0038
- 2 2426A0067
- 3 0801A0476
- 4 N0320A01
- 5 311026700
- 6 1401A0073

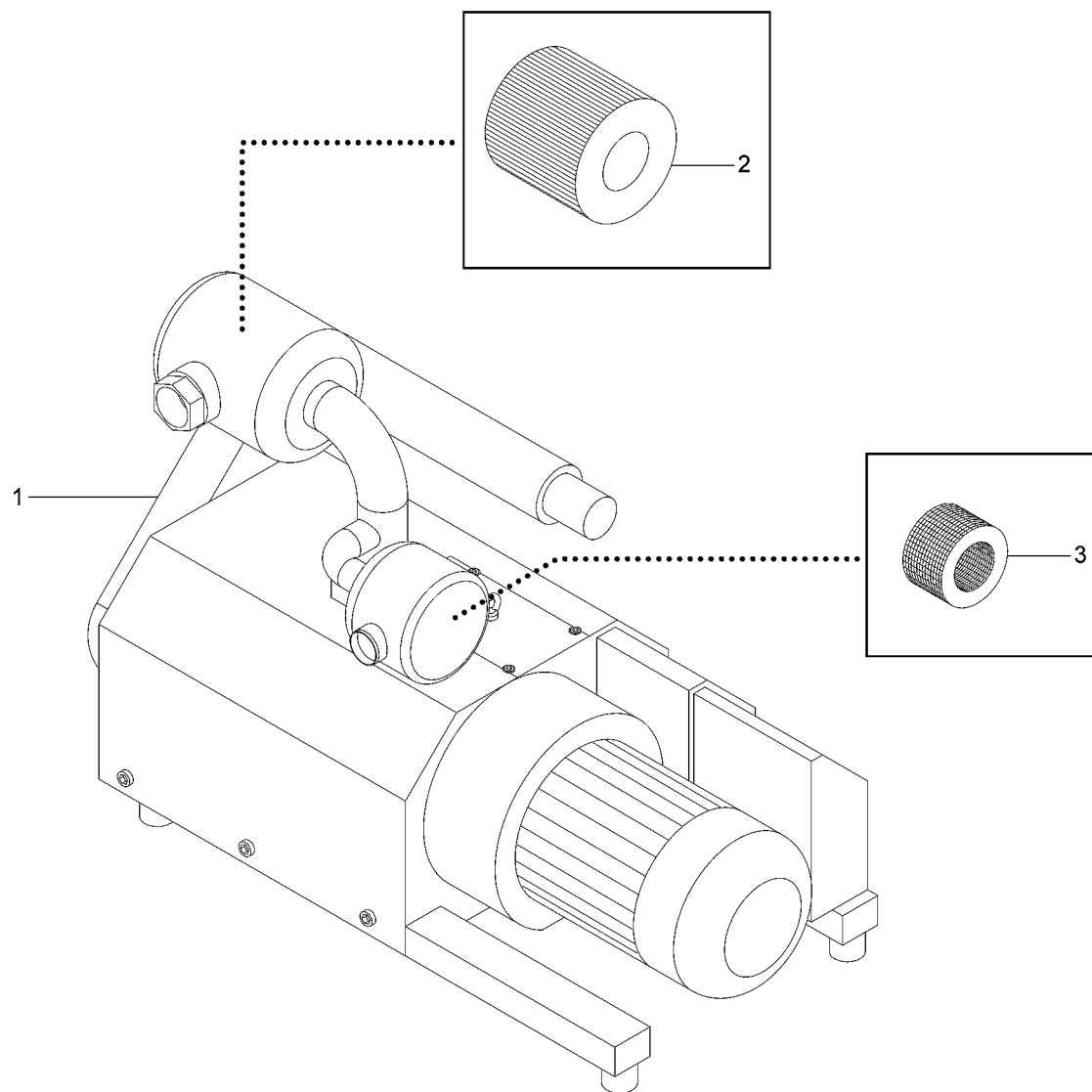




N0380A00 - DISTRIBUTOR - 23449\_ALL - ROVER S 15-02-2008

| POSITION | DRAWING/COMPONENT | DESCRIPTION |
|----------|-------------------|-------------|
| 1        | 2138A0038         | CAP         |
| 2        | 2426A0067         | VACUOSTAT   |
| 3        | 0801A0476         | PLUG        |
| 4        | N0320A01          | DISTRIBUTOR |
| 5        | 311026700         | SEAL RING   |
| 6        | 1401A0073         | FLANGE      |

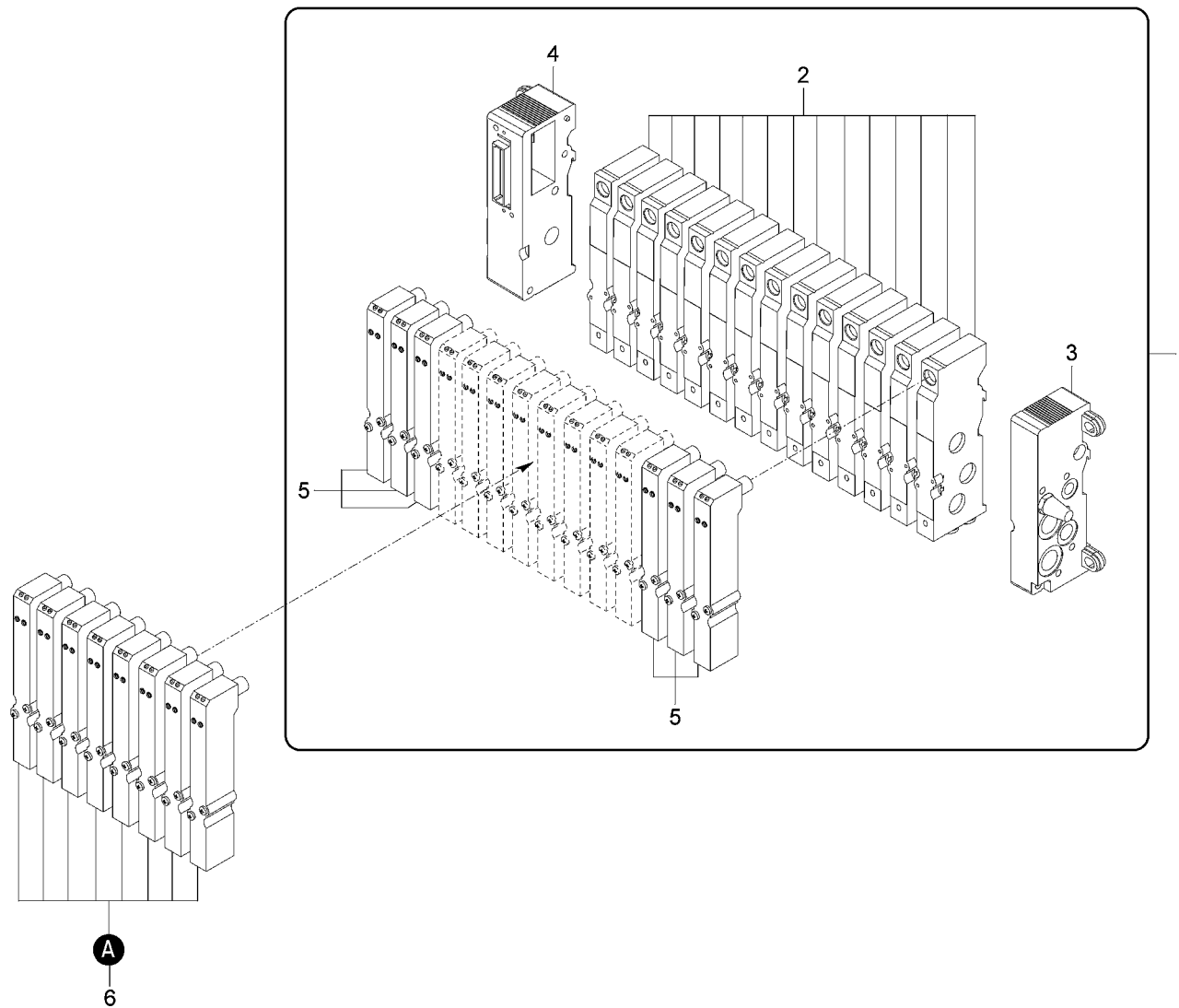
- 1 6404A0076 - 300 M3/H
- 2 2422A0198
- 3 2422A0214



N0389A00 - VACUUM PUMP - 300 M3/H - 23449\_ALL - ROVER S 15-02-2008

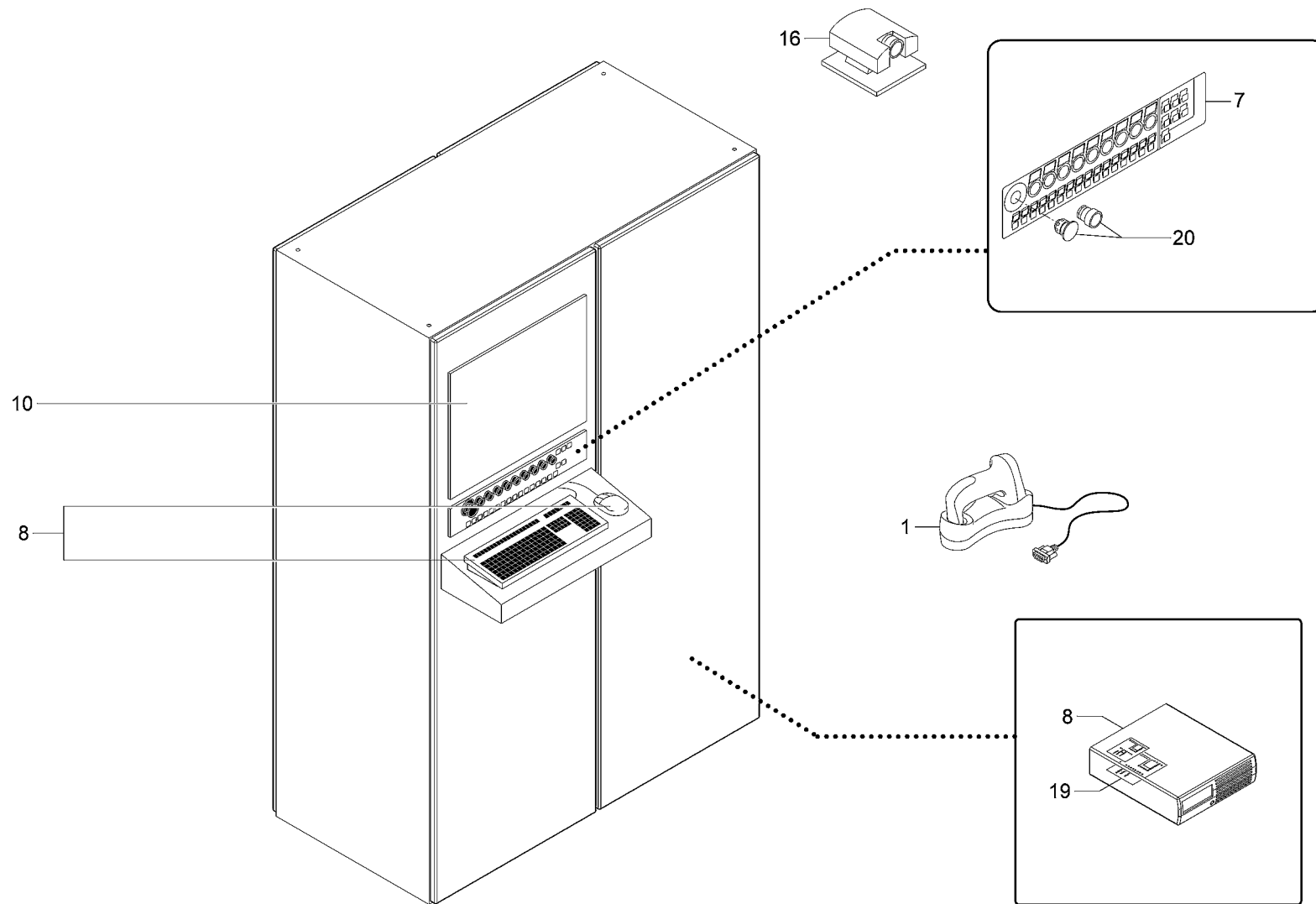
| POSITION | DRAWING/COMPONENT | DESCRIPTION   |
|----------|-------------------|---------------|
| 1        | 6404A0076         | PUMP 300 M3/H |
| 2        | 2422A0198         | CARTRIDGE     |
| 3        | 2422A0214         | CARTRIDGE     |

- 1 6362A0550
- 2 2306A0046
- 3 2307A0008
- 4 2307A0009
- 5 6425A0130
- 6 N0336A01



N0400A00 - ELECTROVALVE - 23449\_ALL - ROVER S 15-02-2008

| POSITION | DRAWING/COMPONENT | DESCRIPTION  |
|----------|-------------------|--------------|
| 1        | 6362A0550         | ELECTROVALVE |
| 2        | 2306A0046         | PLATE        |
| 3        | 2307A0008         | END          |
| 4        | 2307A0009         | END          |
| 5        | 6425A0130         | ELECTROVALVE |
| 6        | N0336A01          | ELECTROVALVE |

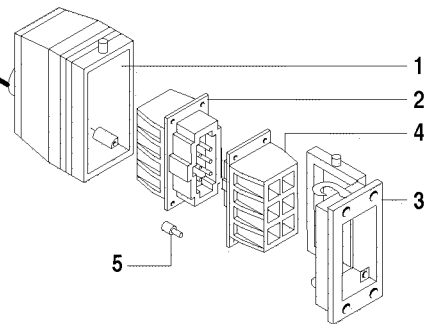
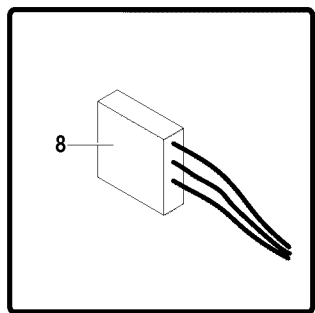
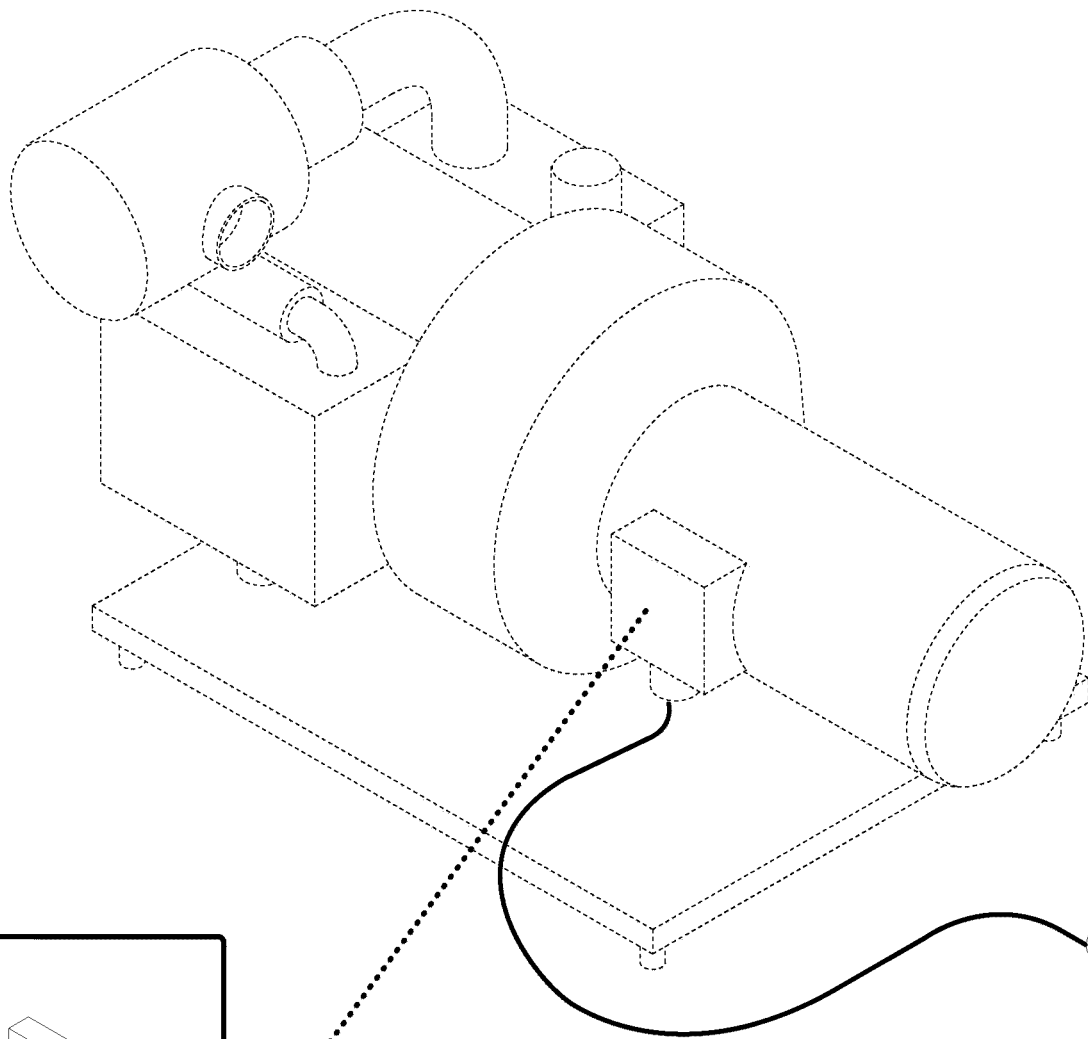


- 1 P0049A00
- 8 P0029A03
- 10 P0062A01
- 16 P0066A00
- 19 P0051A00
- 20 P0069A01

P0021A07 - CONTROL MODULE UNIT - 23449\_ALL - ROVER S 15-02-2008

| POSITION | DRAWING/COMPONENT | DESCRIPTION         |
|----------|-------------------|---------------------|
| 1        | P0049A00          | BARCODE READER      |
| 8        | P0029A03          | CONTROL MODULE UNIT |
| 10       | P0062A01          | MONITOR             |
| 16       | P0066A00          | WEB CAM             |
| 19       | P0051A00          | ELECTRONIC CARD     |
| 20       | P0069A01          | BUTTONS - SELECTORS |

- 1 2138A0343
- 2 2138A0022
- 5 3039A0002
- 8 2163A0046



**BIESSE**

CONNECTOR - 23449\_ALL - ROVER S 15-02-2008

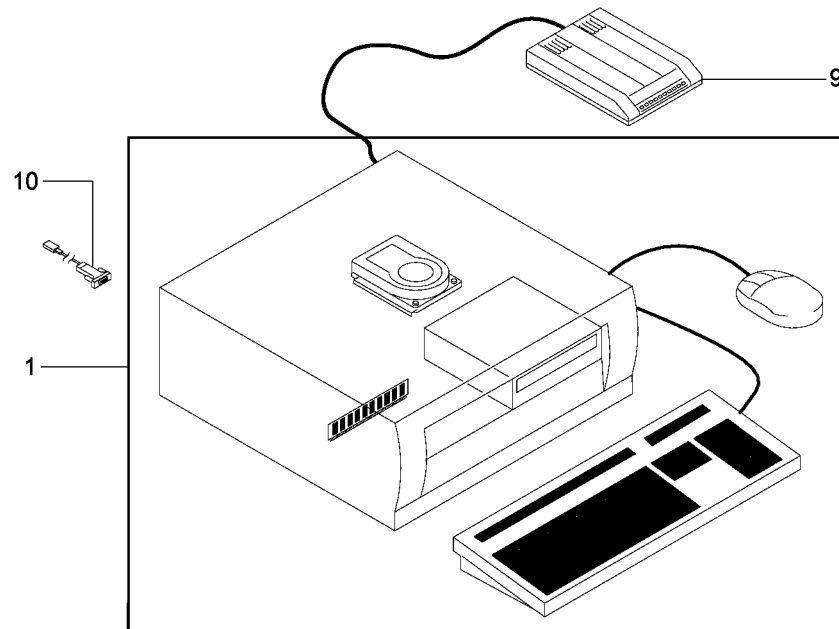
**P0028 A**  
01



P0028A01 - CONNECTOR - 23449\_ALL - ROVER S 15-02-2008

| POSITION | DRAWING/COMPONENT | DESCRIPTION       |
|----------|-------------------|-------------------|
| 1        | 2138A0343         | INSULATING SHEATH |
| 2        | 2138A0022         | CONTACT ELEMENT   |
| 5        | 3039A0002         | PIN               |
| 8        | 2163A0046         | FILTRO            |

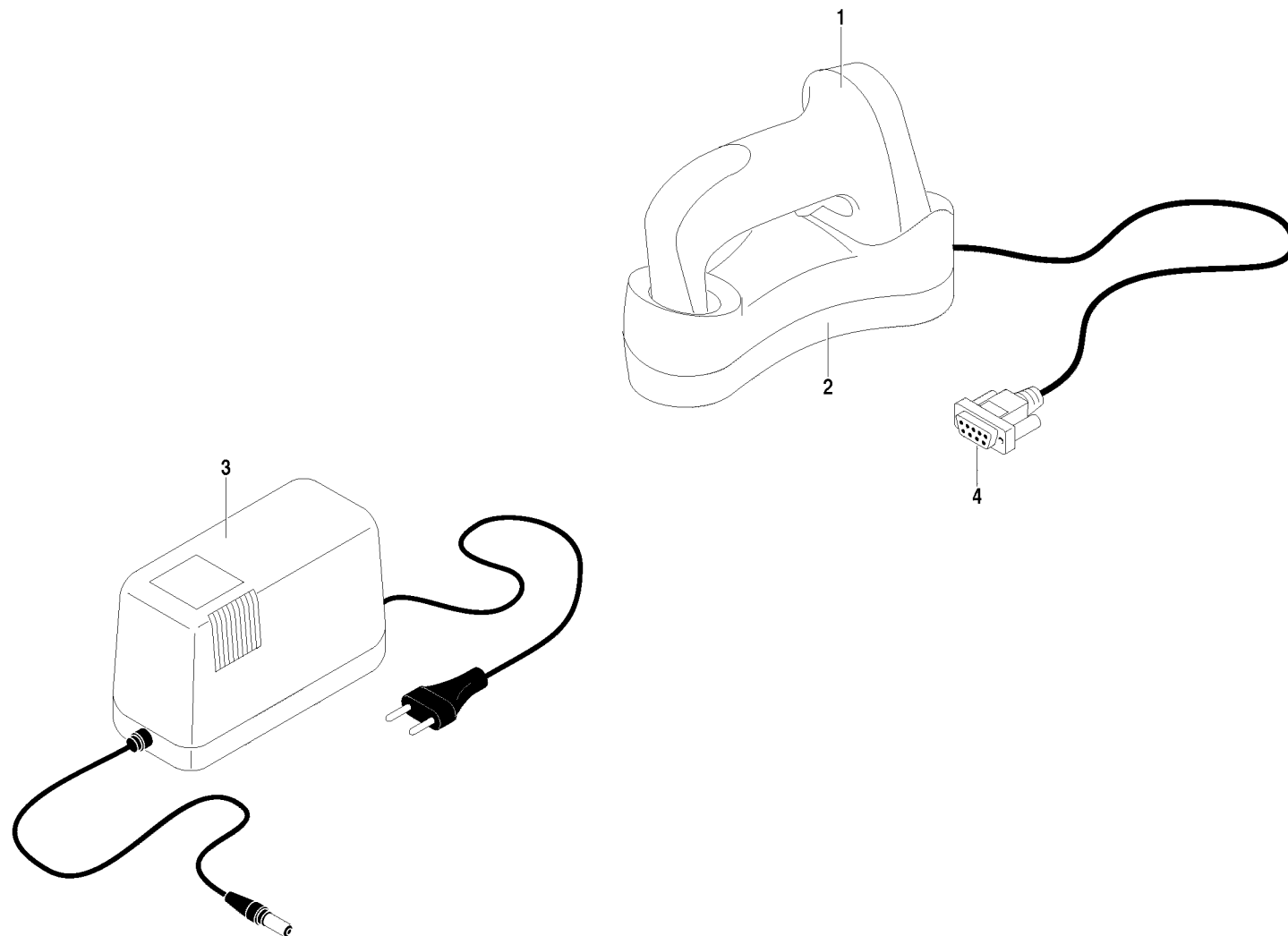
9 2175A0017  
10 6480A0154



P0029A03 - CONTROL MODULE UNIT - 23449\_ALL - ROVER S 15-02-2008

| POSITION | DRAWING/COMPONENT | DESCRIPTION |
|----------|-------------------|-------------|
| 9        | 2175A0017         | MODEM KIT   |
| 10       | 6480A0154         | ADAPTER     |

- 1 2140A0051
- 2 2140A0024
- 3 2140A0026
- 4 6480A0159



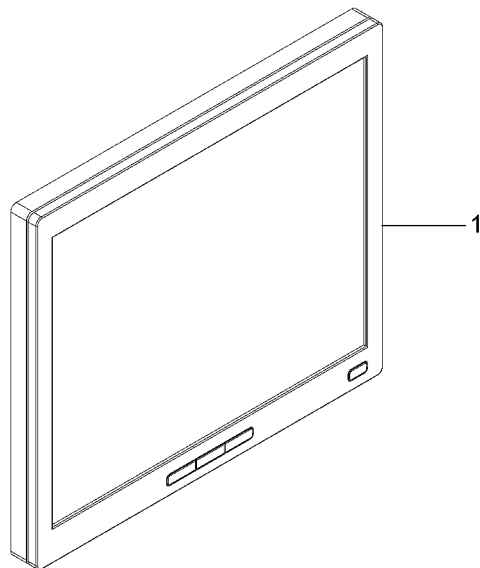
P0049A00 - BARCODE READER - 23449\_ALL - ROVER S 15-02-2008

| POSITION | DRAWING/COMPONENT | DESCRIPTION    |
|----------|-------------------|----------------|
| 1        | 2140A0051         | BARCODE READER |
| 2        | 2140A0024         | BASE           |
| 3        | 2140A0026         | FEEDER         |
| 4        | 6480A0159         | CABLE          |



P0051A00 - ELECTRONIC CARD - 23449\_ALL - ROVER S 15-02-2008

| POSITION | DRAWING/COMPONENT | DESCRIPTION     |
|----------|-------------------|-----------------|
| 2        | 0110D601A0        | CARD            |
| 3        | 0110D602A2        | MOTHERBOARD     |
| 4        | 6480A0202         | CABLE 10P L=200 |

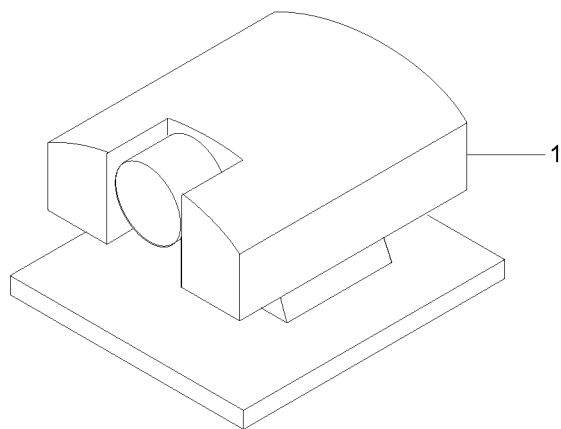




P0062A01 - MONITOR - 23449\_ALL - ROVER S 15-02-2008

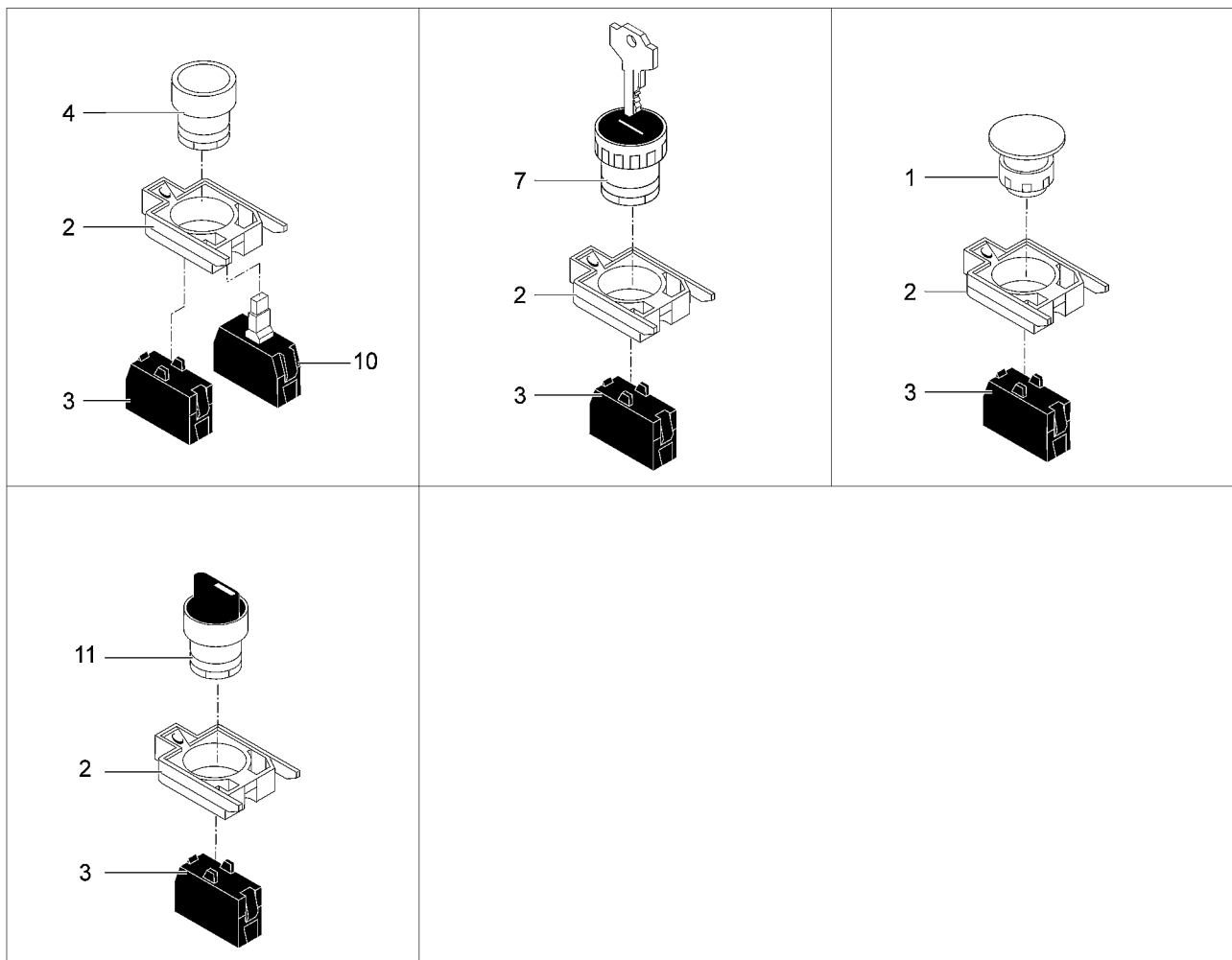
| POSITION | DRAWING/COMPONENT | DESCRIPTION    |
|----------|-------------------|----------------|
| 1        | 2151A0049         | MONITOR LCD 17 |

1 2174A0002

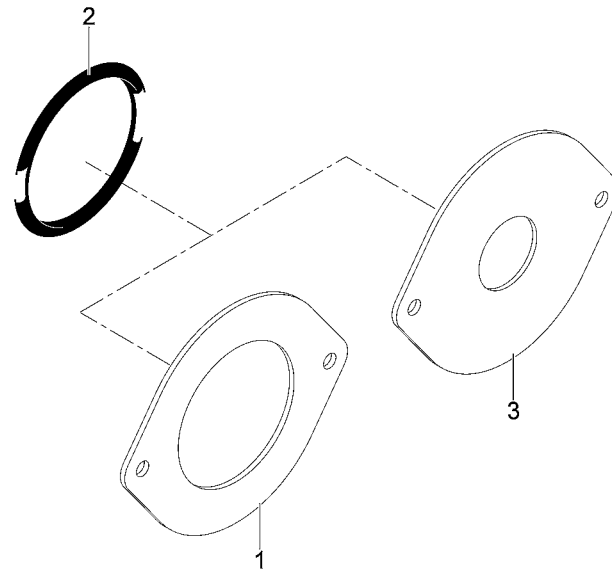


P0066A00 - WEB CAM - 23449\_ALL - ROVER S 15-02-2008

| POSITION | DRAWING/COMPONENT | DESCRIPTION |
|----------|-------------------|-------------|
| 1        | 2174A0002         | WEB CAM     |



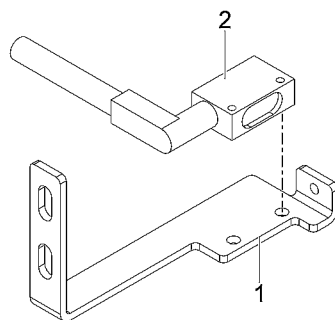
1 1201A0025V - D=65  
2 1419A0053



P0078A01 - FLANGE - 23449\_ALL - ROVER S 15-02-2008

| POSITION | DRAWING/COMPONENT | DESCRIPTION |
|----------|-------------------|-------------|
| 1        | 1201A0025V        | FLANGE D=65 |
| 2        | 1419A0053         | GASKET      |

1 1214A1446  
2 2164A0461



P0087A00 - PHOTOCCELL - 23449\_ALL - ROVER S 15-02-2008

| POSITION | DRAWING/COMPONENT | DESCRIPTION |
|----------|-------------------|-------------|
| 1        | 1214A1446         | PLATE       |
| 2        | 2164A0461         | PHOTOCCELL  |