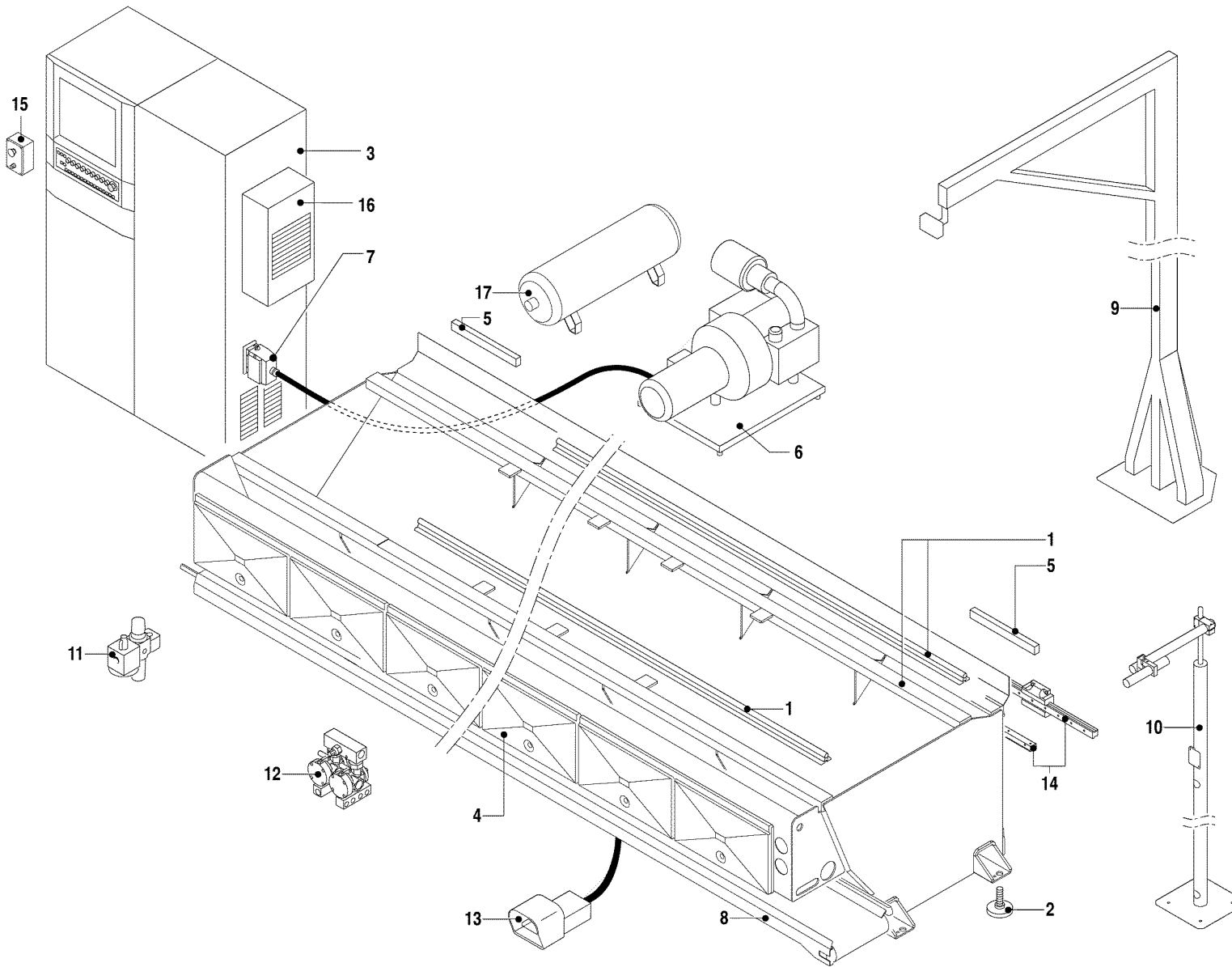


SCHEMAS

- 1 03247A00 - BASE ASSEMBLY
- 2 03252A00 - GUARDS ASSEMBLY
- 3 03251A00 - WORK TABLES ASSEMBLY
- 4 03248A00 - OPERATING SECTION ASSEMBLY



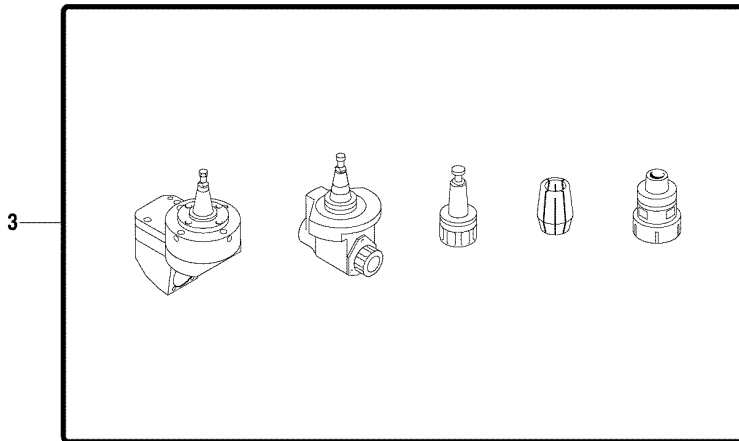
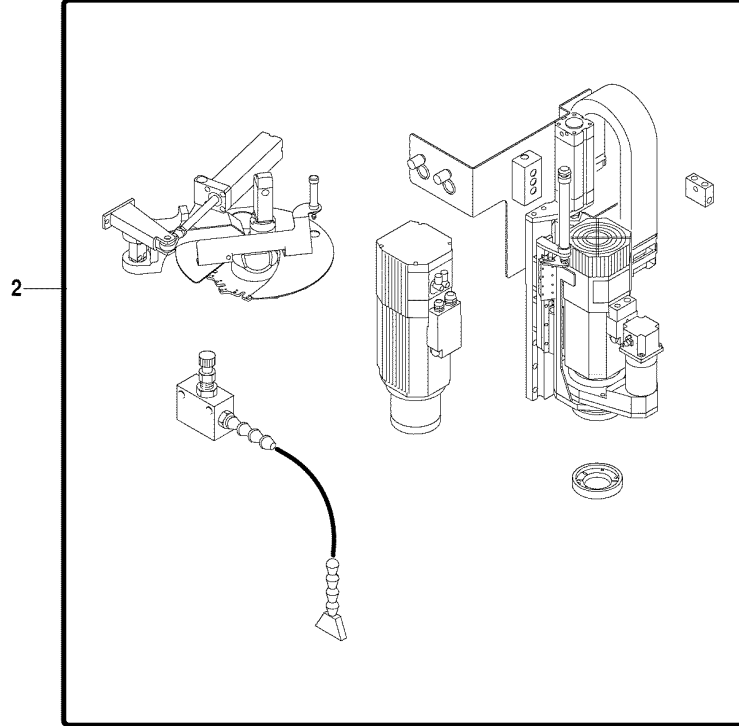
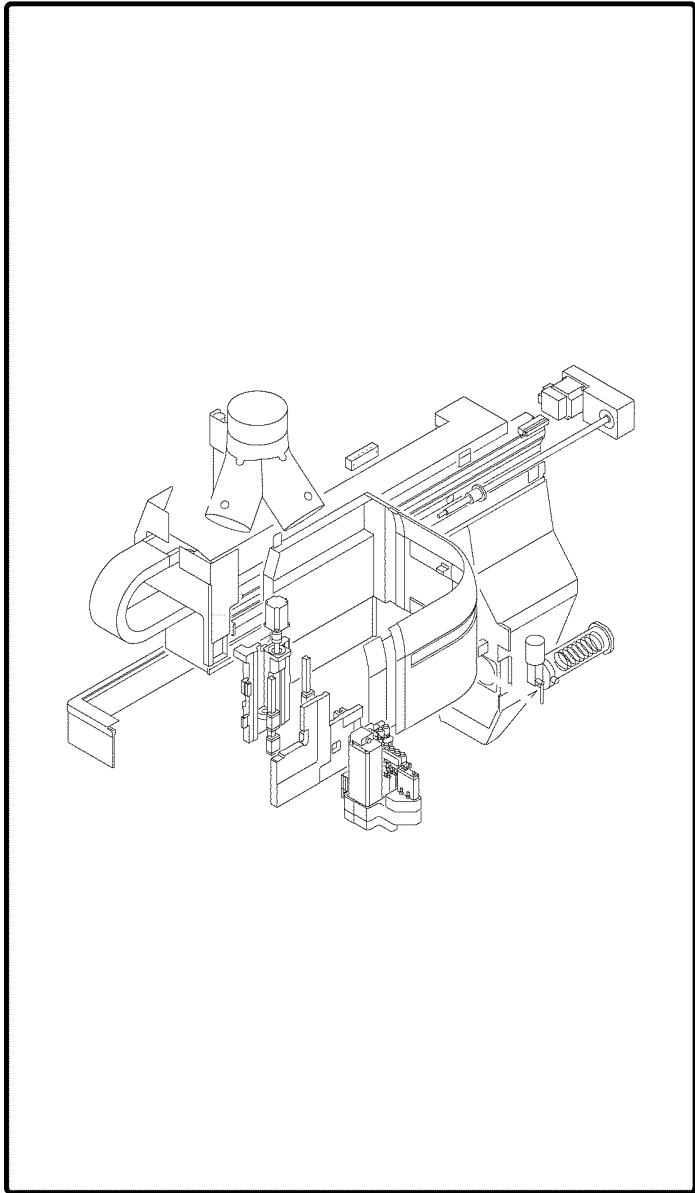
SCHEMAS

- 1 A0218A00 - BASE
- 2 A0135A00 - FOOT
- 3 P0021A03 - CONTROL MODULE UNIT - NC1000
- 4 A0216A00 - BASE
- 5 B0384A00 - X-AXIS LIMIT SWITCH
- 6 N0211A00 - VACUUM PUMP
- 7 P0028A00 - CONNECTOR
- 11 N0233A00 - MAIN FILTER
- 12 N0230A00 - VACUUM SYSTEM - 3/4'
- 13 M0105A00 - CONTROL PEDAL
- 14 A0215A00 - BASE
- 15 H0165A00 - OVERRIDE

ROVER B 2.30 (5183600) - BASE ASSEMBLY

03247A00

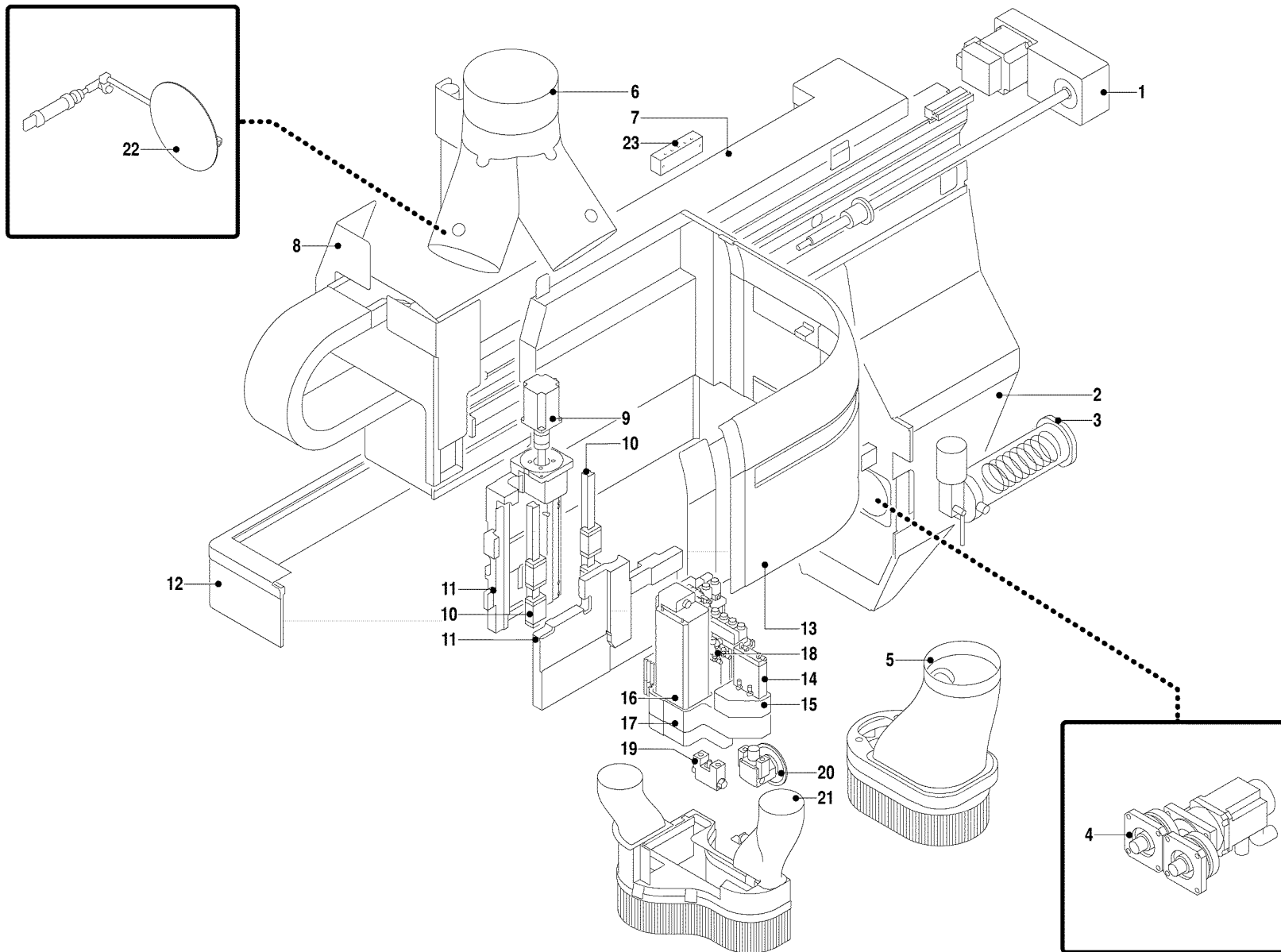




SCHEMAS

- 1 03249A00 - OPERATING SECTION ASSEMBLY
- 2 03253A00 - OPERATING SECTION DEVICES

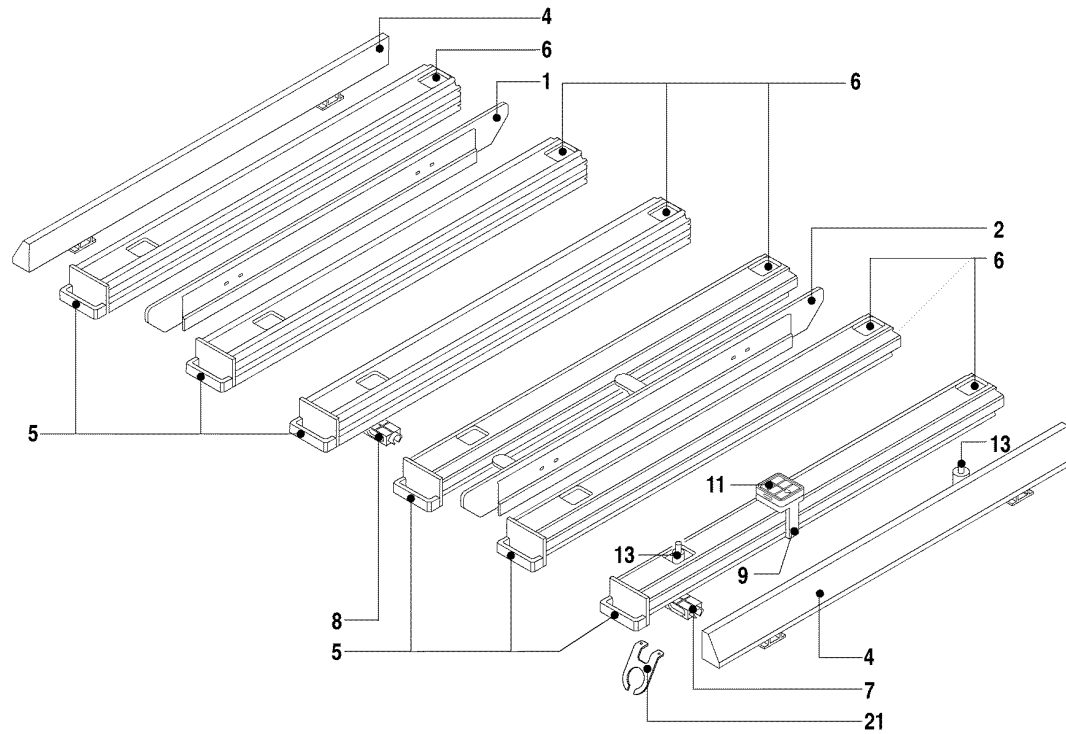




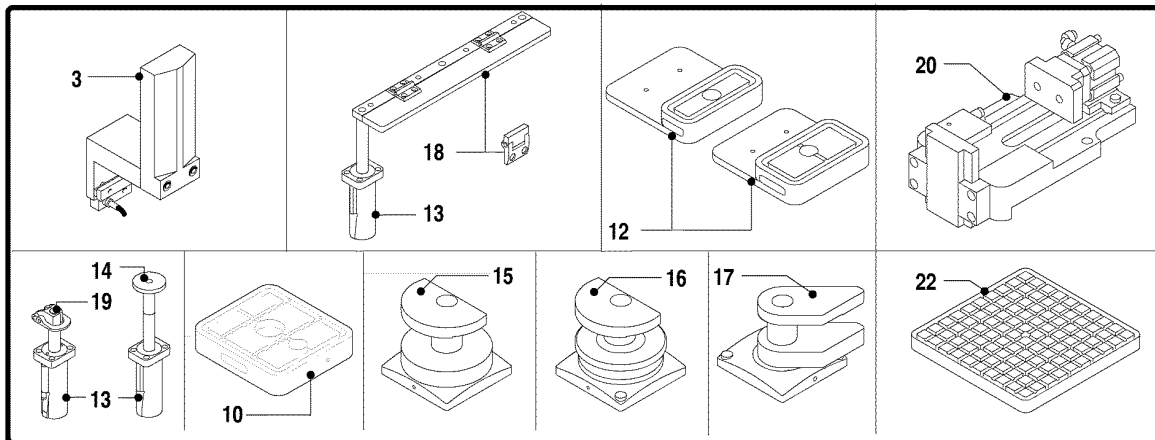
SCHEMAS

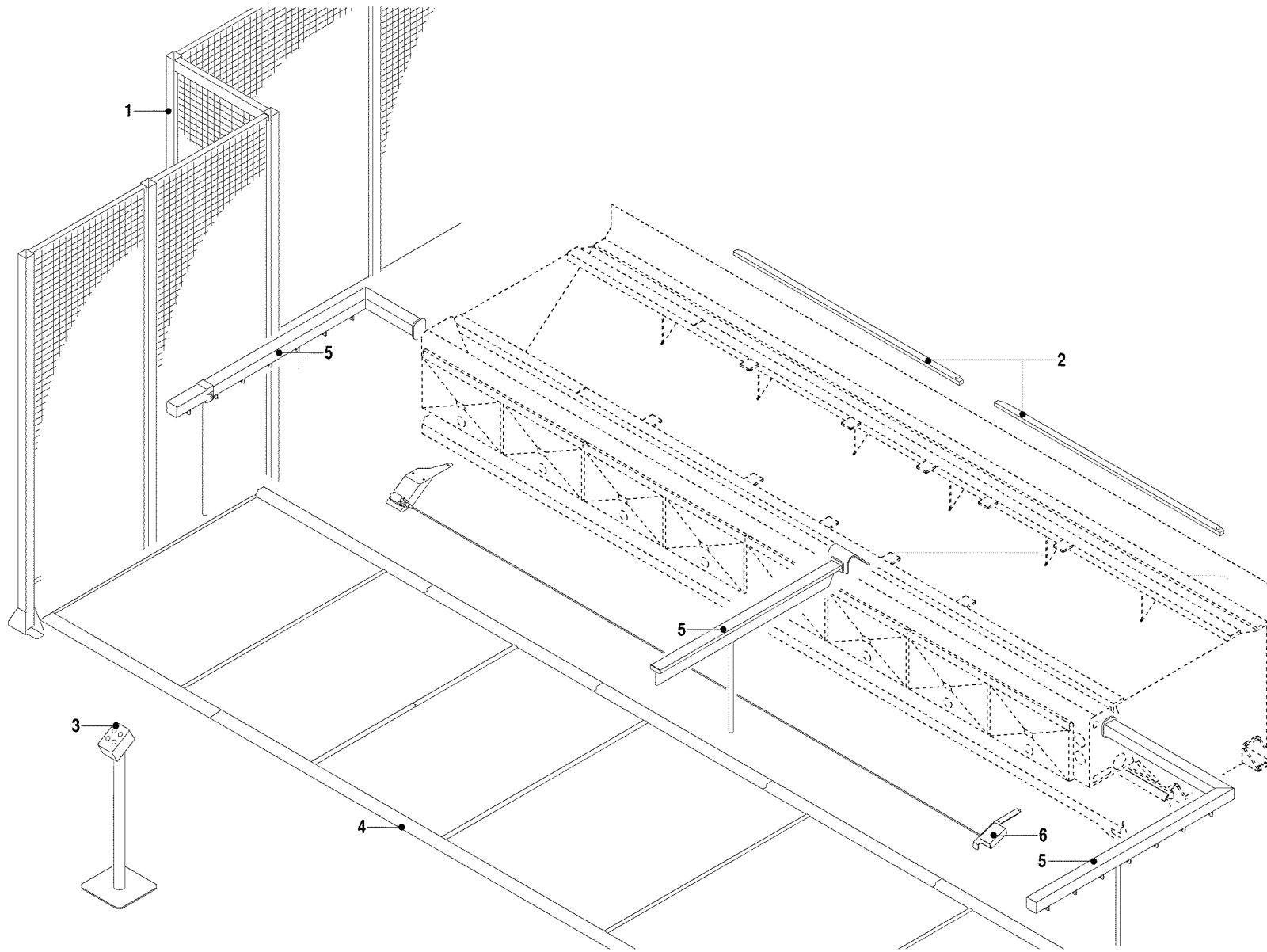
- 1 B0385A00 - AXIS Y DRIVE
- 2 B0387A00 - CARRIAGE UNIT
- 4 B0374A00 - X AXIS DRIVE
- 5 G0129A00 - SUCTION
- 6 G0131A00 - SUCTION
- 8 B0381A00 - CABLE RACEWAYS
- 9 B0376A01 - AXIS Z DRIVE
- 12 A0217A00 - HEAD CASING
- 13 A0210A00 - HEAD CASING
- 14 C0465A04 - SLIDING UNIT
- 15 C0604A00 - BORING UNIT
- 16 C0092A02 - MOTOR UNIT
- 17 C0605A00 - BORING UNIT
- 18 C0446A01 - SLIDING UNIT
- 19 C0108A07 - HORIZONTAL BORING CHUCK
- 20 C0334A03 - MILLING CUTTER
- 21 G0126A00 - SUCTION
- 22 G0087A02 - SUCTION
- 23 N0180A01 - DISTRIBUTOR





SCHEMAS	
4	E0192A02 - SIDE WORK TABLE
5	E0193A09 - SIDE WORK TABLE
6	E0266A00 - WORK TABLE
7	E0256A01 - WORK TABLE LOCKING
8	E0257A01 - WORK TABLE LOCKING
9	E0259A00 - SHAPEABLE SUCTION CUP - ATS
11	E0199A02 - SHAPEABLE SUCTION CUP
12	E0200A02 - SHAPEABLE SUCTION CUP
13	E0210A03 - STOP
21	E0265A00 - CASING





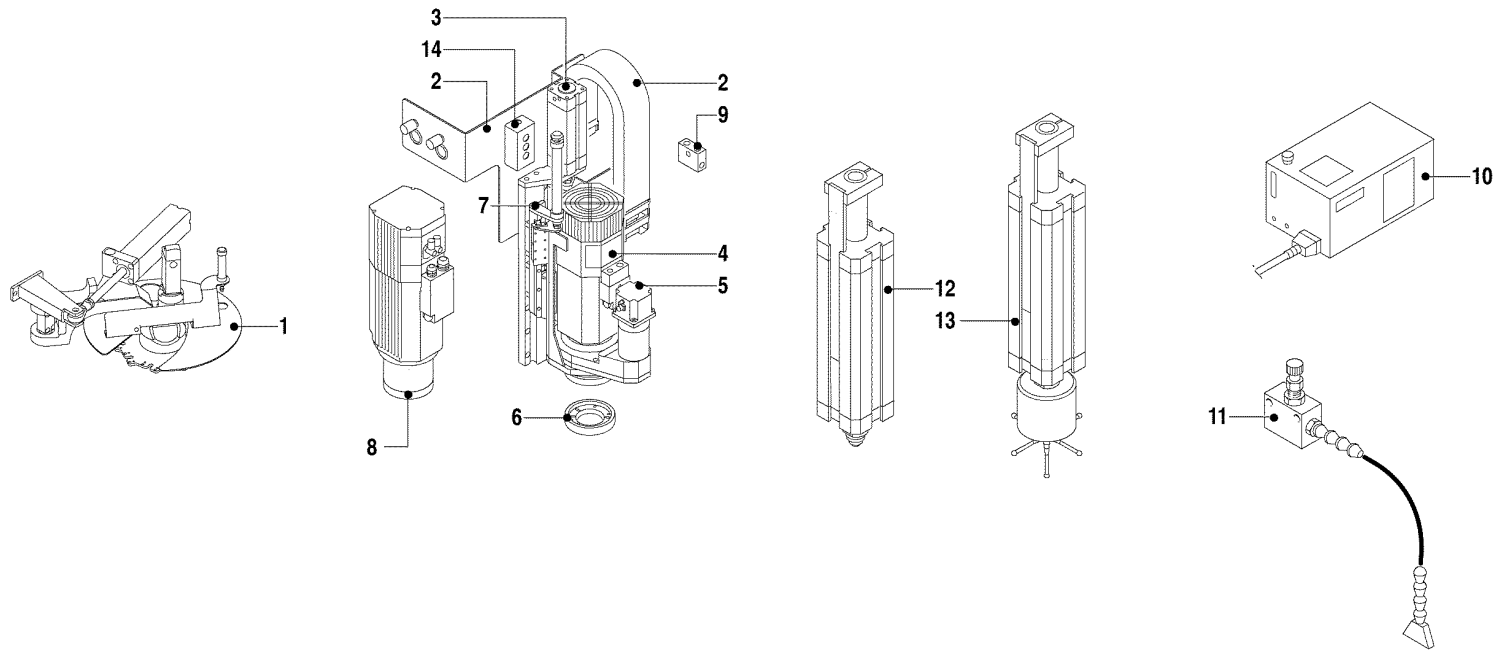
SCHEMAS

- 1 H0241A00 - PERIMETER GUARD - STD
- 2 H0234A00 - SAFETY LIMIT SWITCH
- 3 H0235A00 - BUTTON PAD
- 5 H0244A00 - PHOTOELECTRIC CELL BARRIER
- 6 H0248A00 - EMERGENCY DEVICE



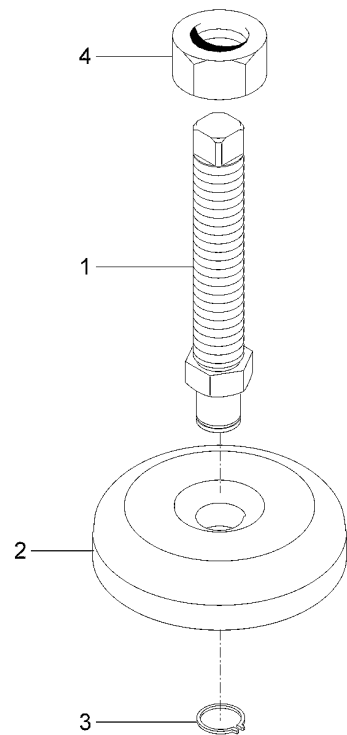
ROVER B 2.30 (5183600) - GUARDS ASSEMBLY

03252A00



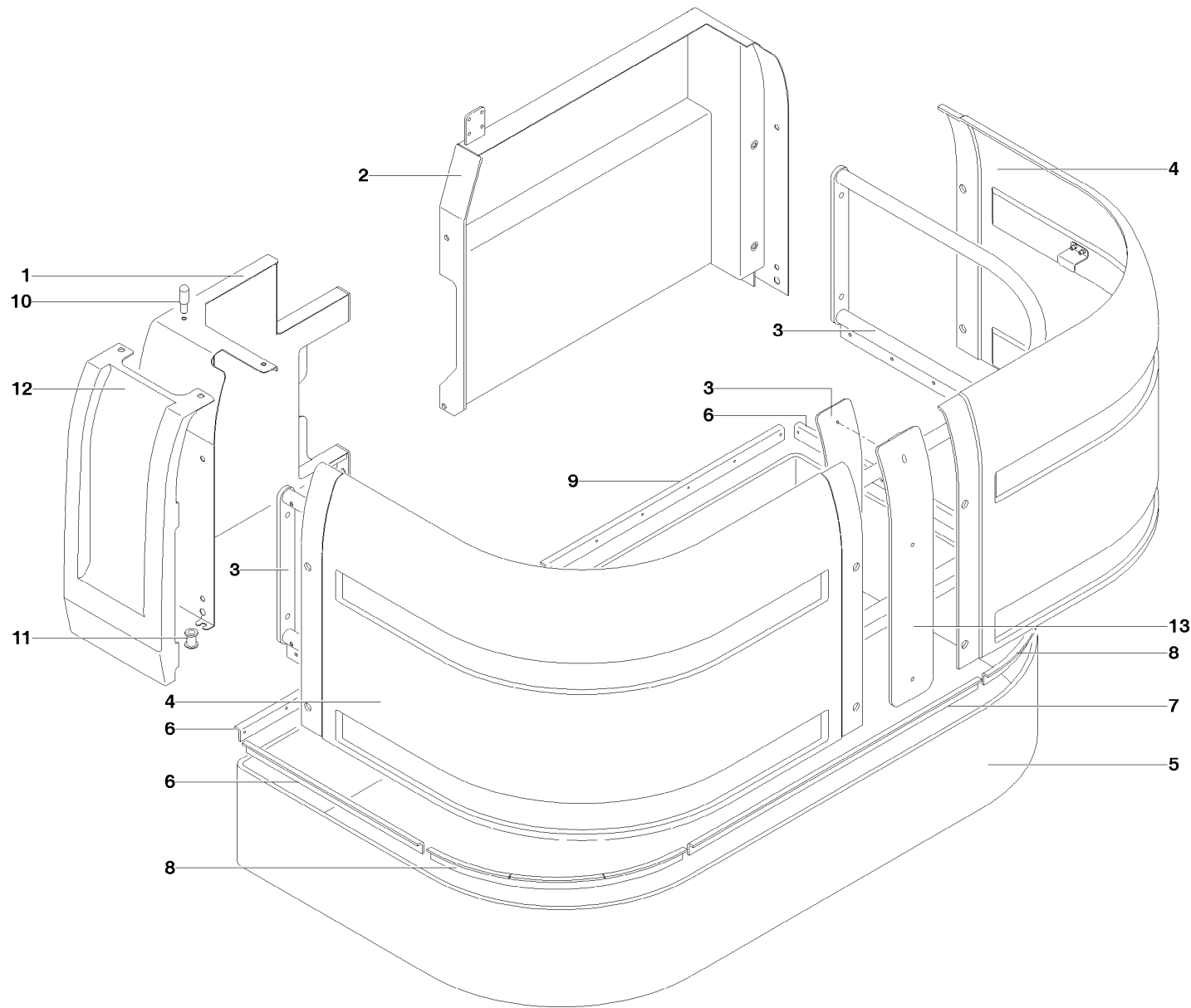
SCHEMAS

- 1 C0608A00 - TOOL MAGAZINE
- 2 C0610A00 - CABLE RACEWAYS
- 3 C0606A00 - SLIDING UNIT
- 4 C0491A03 - ELECTROSPINDLE
- 8 C0516A02 - ELECTROSPINDLE
- 9 L0128A01 - DISTRIBUTOR



PARTS ORDERABLE	
1	0814A1281 - SCREW L=93,5
2	0814A0055 - PLATE
3	302901100 - RING E 14
4	301620900 - NUT M24X2





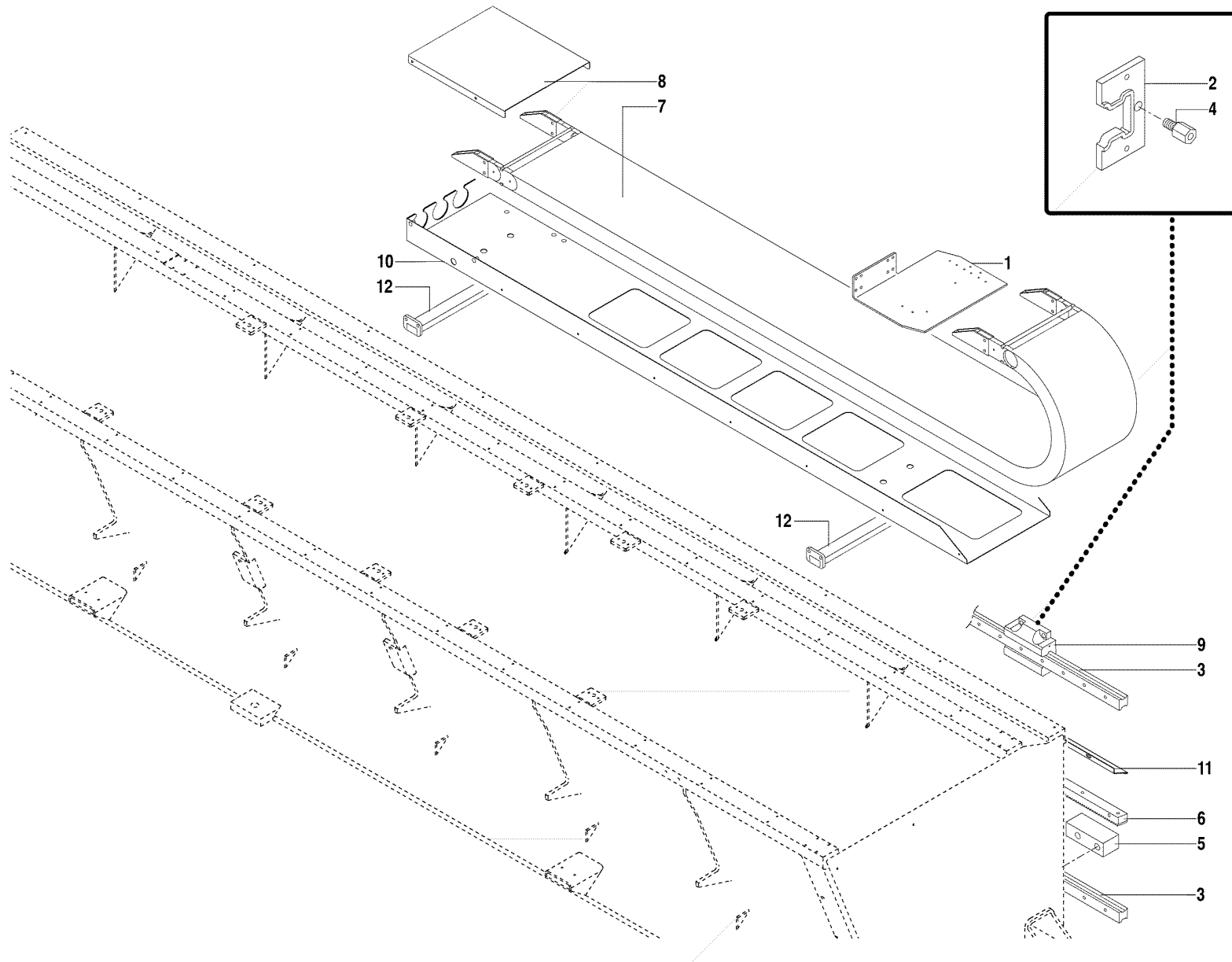
PARTS ORDERABLE

- 1 1203A0062V - FRAME
- 2 1203A0063V - FRAME
- 3 1203A0051V - FRAME
- 4 1708A0084 - CASING
- 5 1708A0092 - CURTAIN GUARD
- 6 1214A0743V - PLATE
- 7 1214A0746V - PLATE
- 8 1214A0745V - PLATE
- 9 1214A0744V - PLATE
- 10 0804A0235 - PIN
- 11 0804A0236 - WASHER
- 12 1408A0261 - COVER
- 13 1414A0232 - BLADE

ROVER B 2.30 (5183600) - HEAD CASING

A0210A00





SCHEMAS

7 M0162A00 - CABLE-HOLDER CHAIN - KS 0650.180

PARTS ORDERABLE

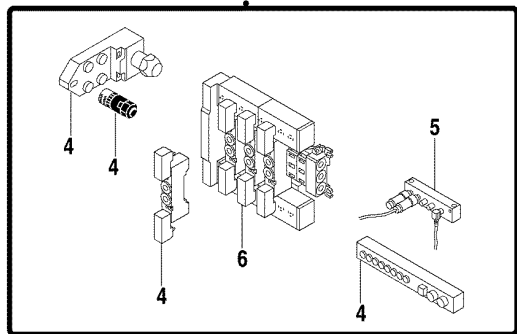
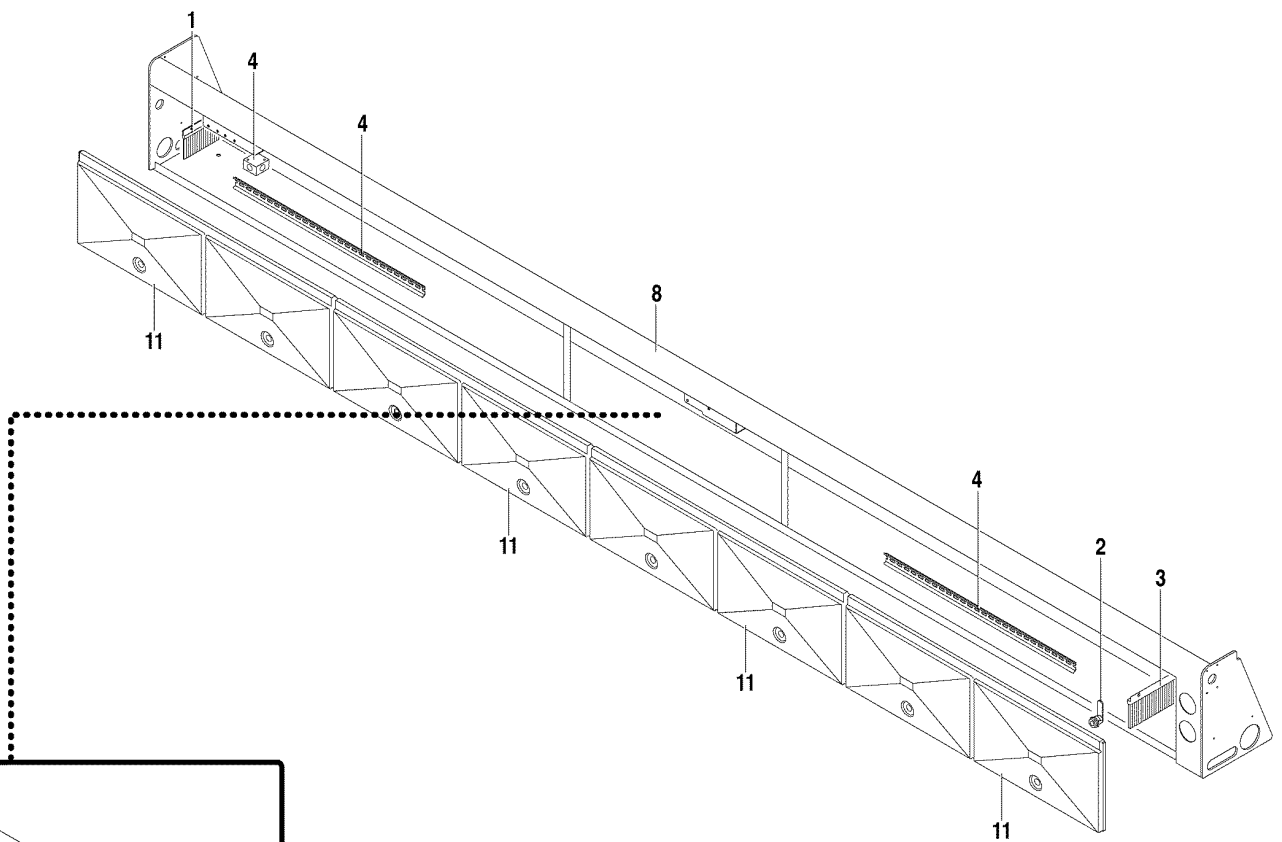
- 1 1205A1351V - SUPPORT
- 3 2914A0952 - GUIDE L=4095
- 5 0814A0903 - PLATE
- 6 081809300 - RACK L=1320 FNW0050026
- 8 1208A1816V - COVER
- 10 1212A0719V - BOX
- 11 1208A1793V - CASING
- 12 1205A0704V - SUPPORT

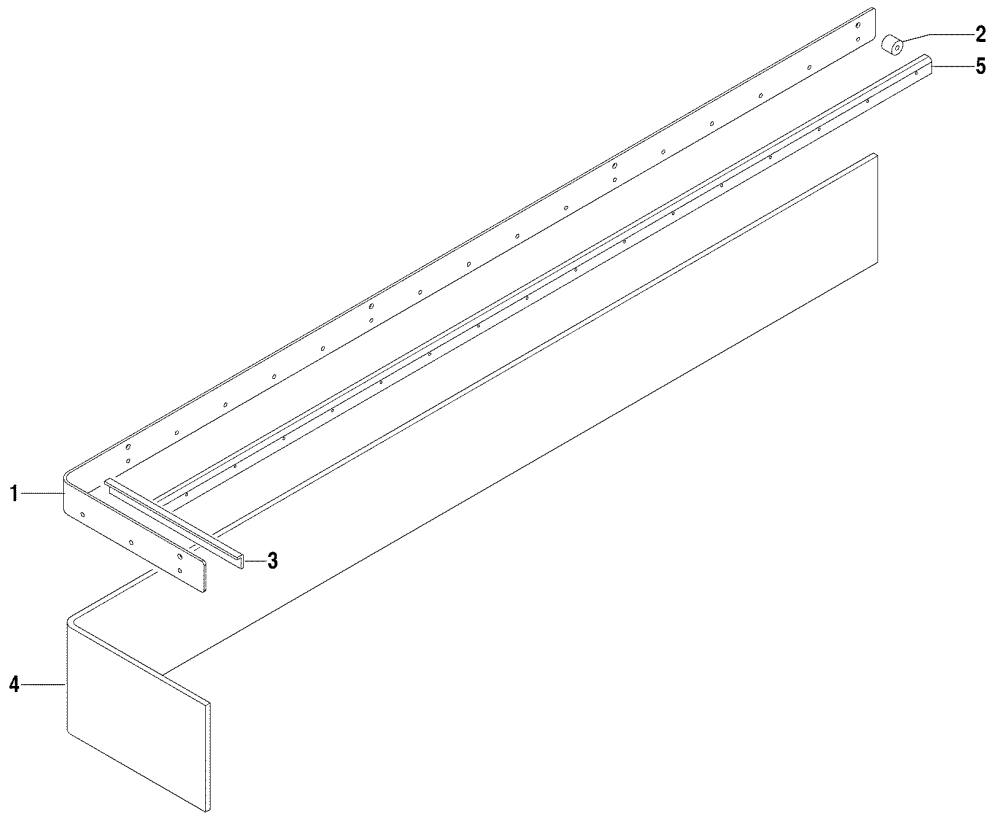


ROVER B 2.30 (5183600) - BASE

A0215A00

SCHEMAS	
4	N0219A02 - ELECTROVALVE
6	N0232A01 - ELECTROVALVE
PARTS ORDERABLE	
1	1432A0169 - BRUSH L=135 MM H=70 MM
2	2010A0001 - LOCK BOX05115500 ULTRAMID
3	1432A0279 - BRUSH
8	1212A0714V - BOX
11	1408A0395 - CASING





PARTS ORDERABLE

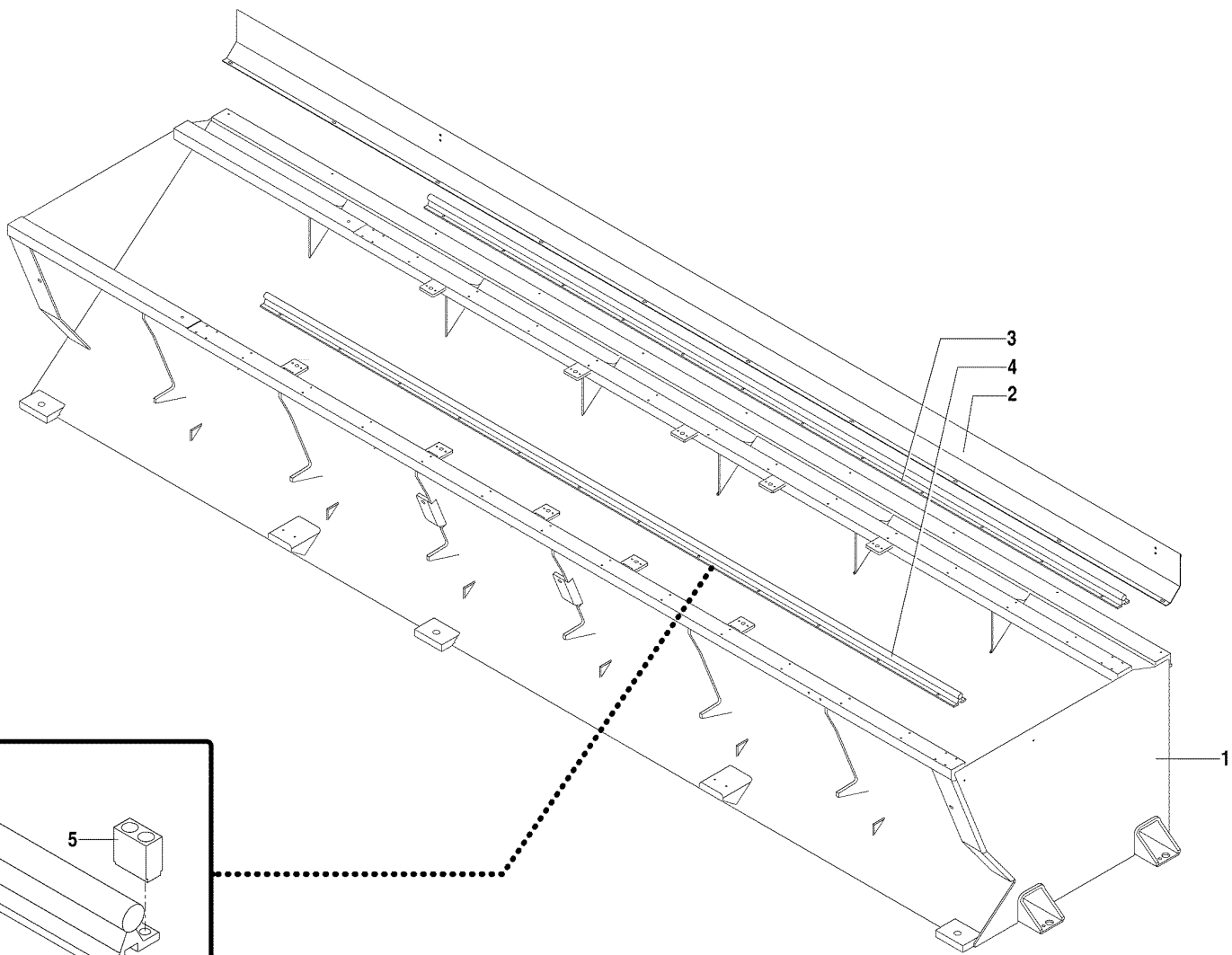
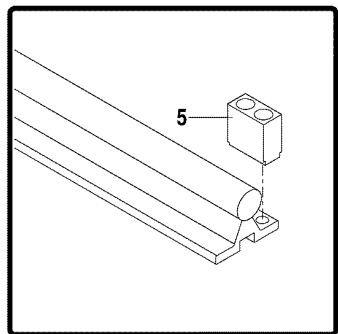
- 1 1214A0830V - PLATE
- 2 080650100 - SPACER
- 3 1214A0832V - PLATE
- 4 1708A0097 - CURTAIN GUARD
- 5 1214A0831V - FIXING PLATE

ROVER B 2.30 (5183600) - HEAD CASING

A0217A00



BIESSE

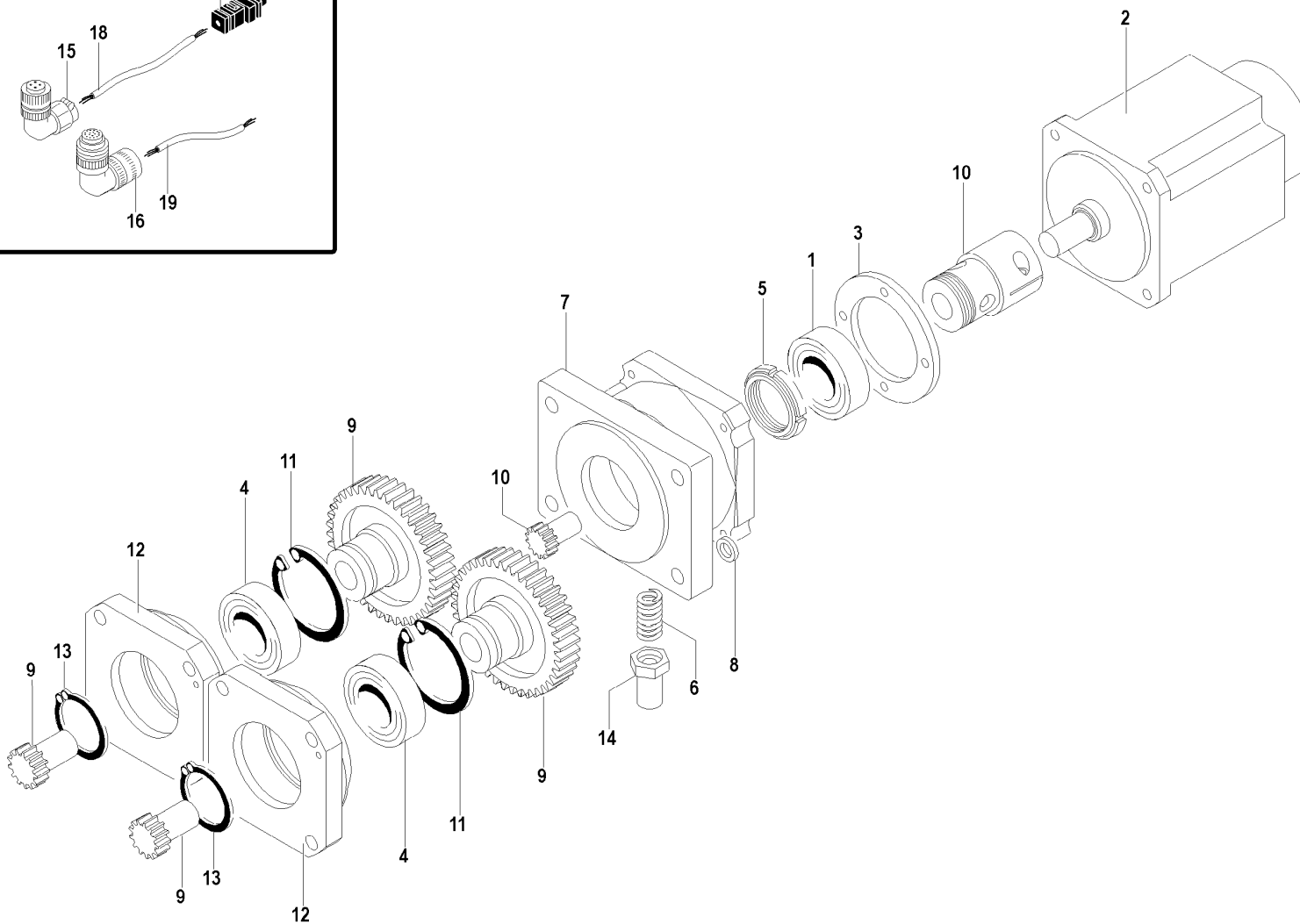
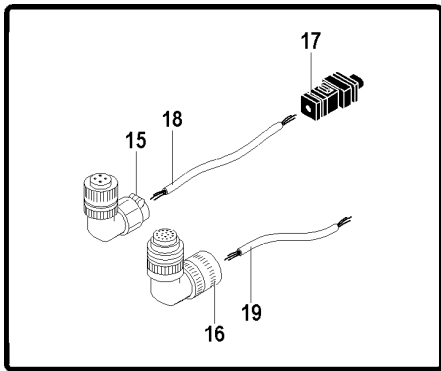


PARTS ORDERABLE	
1	1303A0217V - BASE
3	1705A0143 - GUIDE L=3018
4	1705A0091 - GUIDE L=3018
5	0814A0774 - PLATE



ROVER B 2.30 (5183600) - BASE

A0218A00



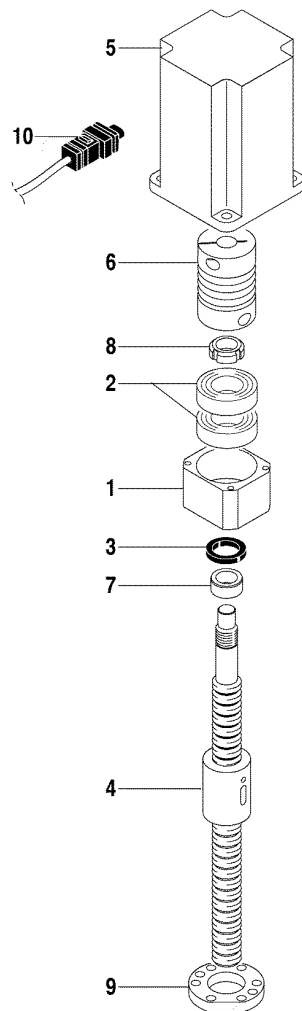
PARTS ORDERABLE

- 1 2904A0205 - BEARING
- 2 2201A0379 - MOTOR SGMGH-13DCA YG15
- 3 0801A0385 - FLANGE
- 4 290400900 - BEARING 50-90-30,2
- 5 3017A0047 - RING NUT M40X1,5
- 7 0905A1281 - SUPPORT
- 8 0804A0207 - WASHER
- 9 1621A0042 - GEAR
- 10 1621A0043 - PINION
- 11 302919700 - RING I 90
- 12 0705A0036 - SUPPORT
- 13 302904500 - RING E 50
- 15 213812900 - SOCKET CONNECTOR 17 POLE
- 16 213812800 - SOCKET CONNECTOR 4 POLE
- 17 2138A0318 - CONNECTOR CN2 YASKAWA
- 18 2131A0012 - CABLE
- 19 213107200 - CABLE

ROVER B 2.30 (5183600) - X AXIS DRIVE

B0374A00



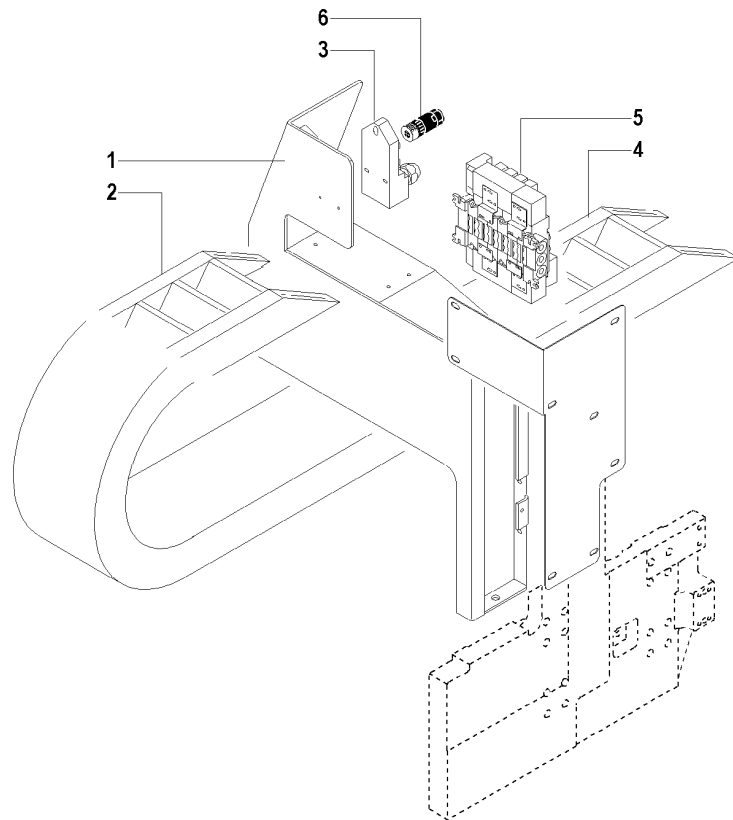


SCHEMAS

10 P0039A00 - CONNECTOR

PARTS ORDERABLE

- 1 0817A0180 - BUSHING
- 2 2903A0026 - BEARING
- 3 311403900 - RING G26X34X4
- 4 0815A0271 - SCREW
- 5 2204A0082 - MOTOR
- 6 2707A0290 - JOINT
- 7 0806A0482 - SPACER
- 8 301700200 - RING NUT M20X1
- 9 0801A0299 - FLANGE



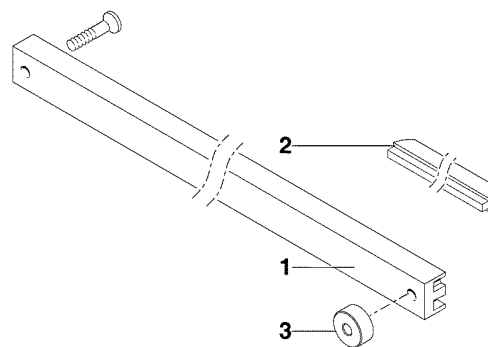
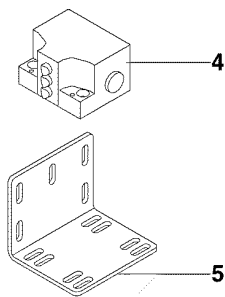
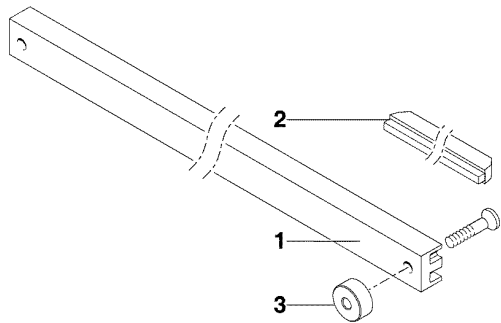
SCHEMAS

- 2 M0152A00 - CABLE-HOLDER CHAIN
- 5 N0232A01 - ELECTROVALVE

PARTS ORDERABLE

- 1 1205A1370V - SUPPORT
- 3 2165A0094 - BOX
- 4 1208A1882V - COVER
- 6 2138A0467 - SOCKET CONNECTOR
F=M12 POLE 5





SCHEMAS

4 H0249A00 - SAFETY LIMIT SWITCH

PARTS ORDERABLE

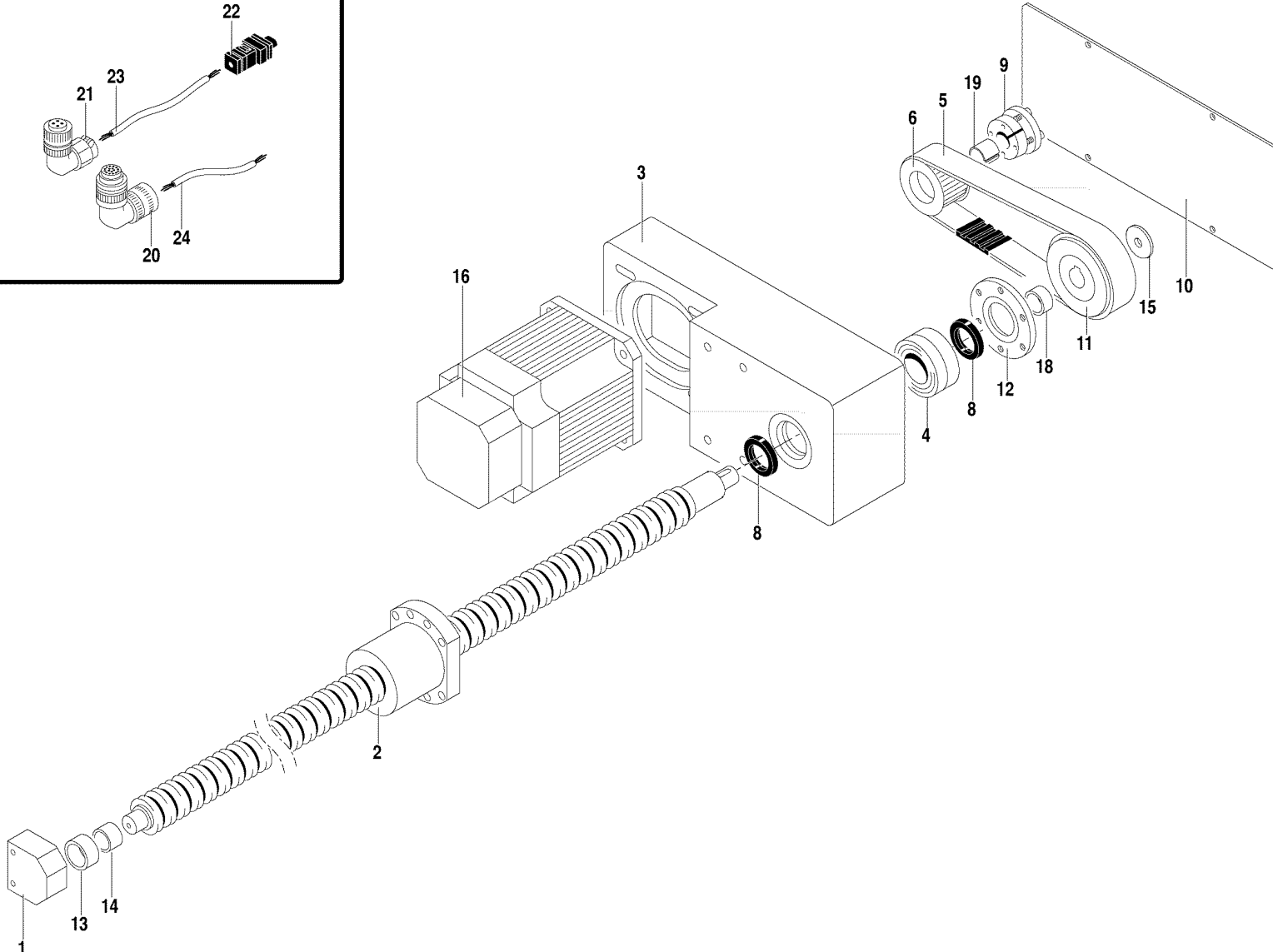
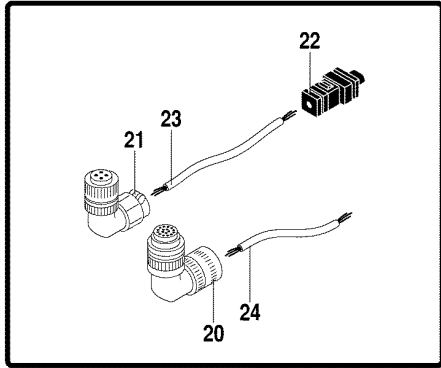
1 0911A0112 - GUIDE L=320

2 1709A0001 - CAM ASSEMBLY L=200

3 080633500 - SPACER

5 1205A1368 - SUPPORT





PARTS ORDERABLE	
1	0905A0716 - SUPPORT
2	0815A0270 - BALL SCREW
3	0912A0245V - BOX
4	290303900 - BEARING 2903A0038
5	2701A0278 - BELT
6	0922A0091 - PULLEY
8	311403900 - RING G26X34X4
9	270708100 - KEYING DEVICE
10	1208A0696V - COVER
11	0922A0192 - PULLEY
12	0801A0090 - FLANGE
15	0804A0279 - WASHER D.30X7X4
16	2201A0395 - MOTOR SGMGH-09DCA YG25
18	080659401 - SPACER
19	0806A0276 - SPACER
20	213812800 - SOCKET CONNECTOR 4 POLE
21	213812900 - SOCKET CONNECTOR 17 POLE
22	2138A0318 - CONNECTOR CN2 YASKAWA

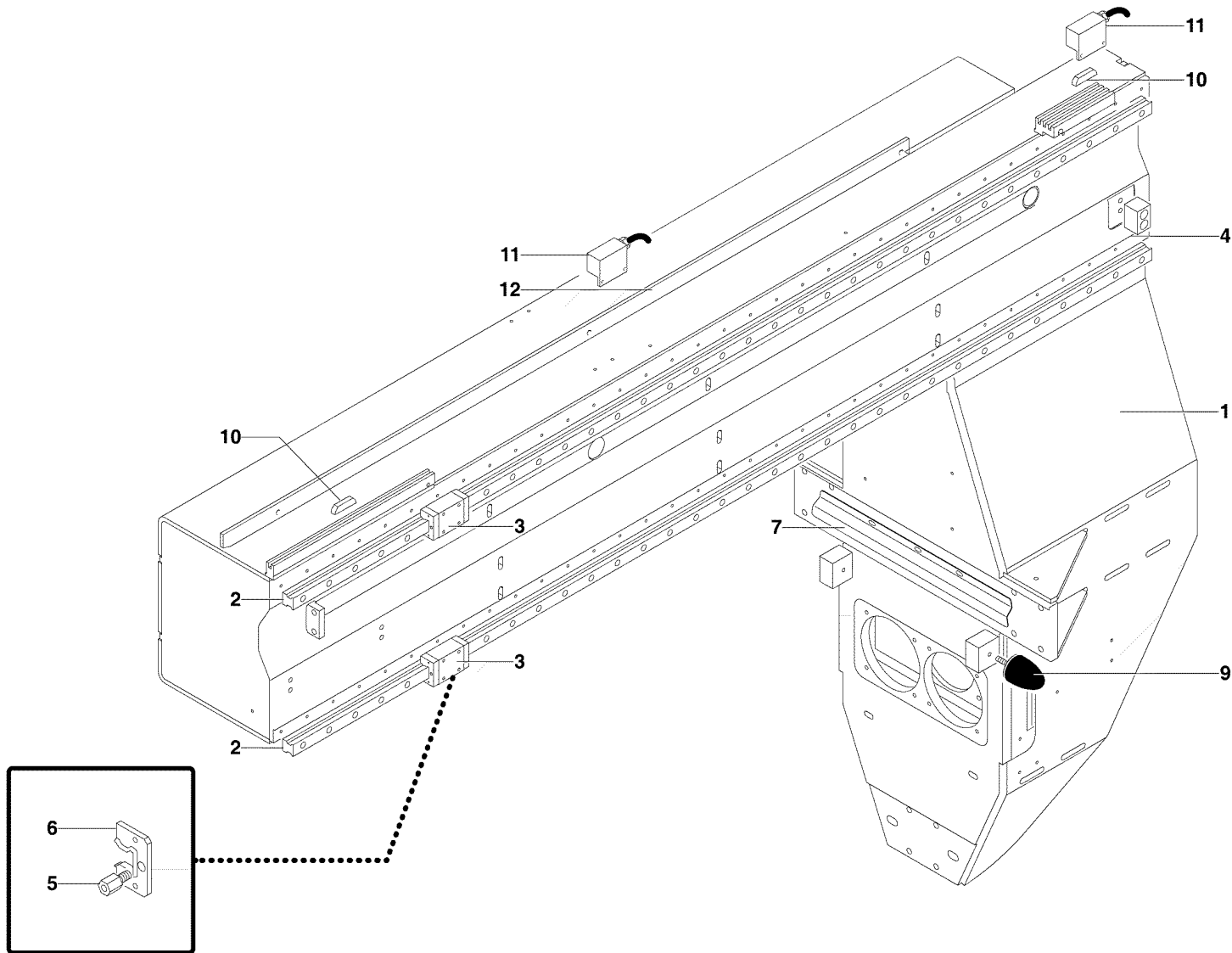


ROVER B 2.30 (5183600) - AXIS Y DRIVE

B0385A00

SCHEMAS

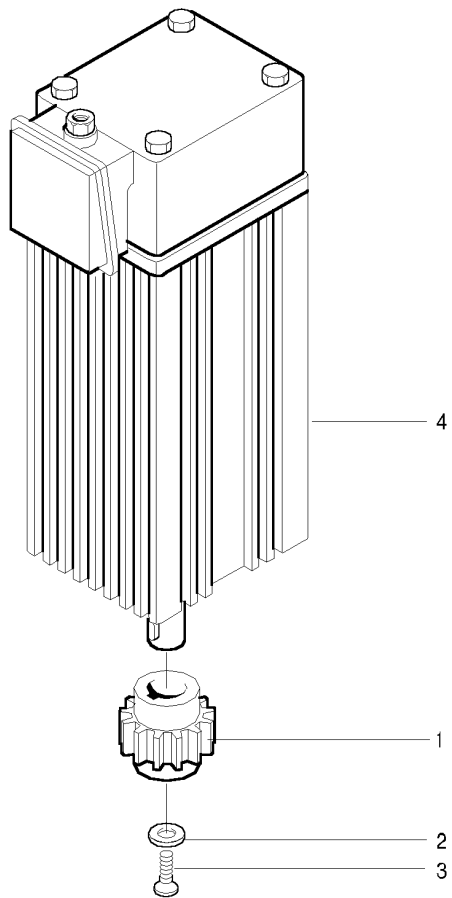
11 H0249A00 - SAFETY LIMIT SWITCH



ROVER B 2.30 (5183600) - CARRIAGE UNIT

B0387A00





SCHEMAS

4 M0151A00 - MOTOR

PARTS ORDERABLE

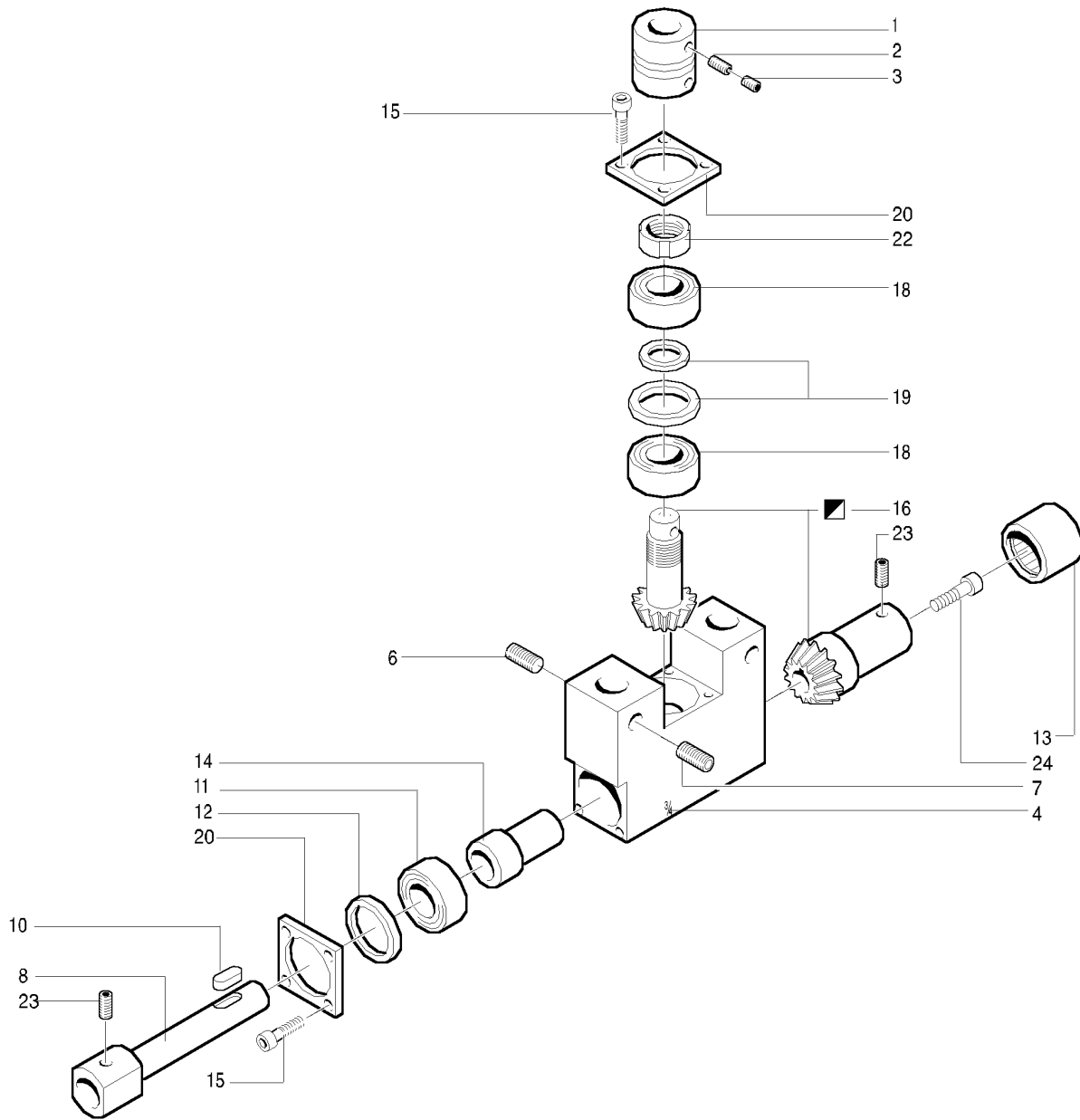
1 0821A0145 - GEAR Z=22

2 080450400 - WASHER

3 300304500 - SCREW M6X14 *R10.9

4 6410A0181 - MOTOR 50HZ - 1,7KW
2,3HP





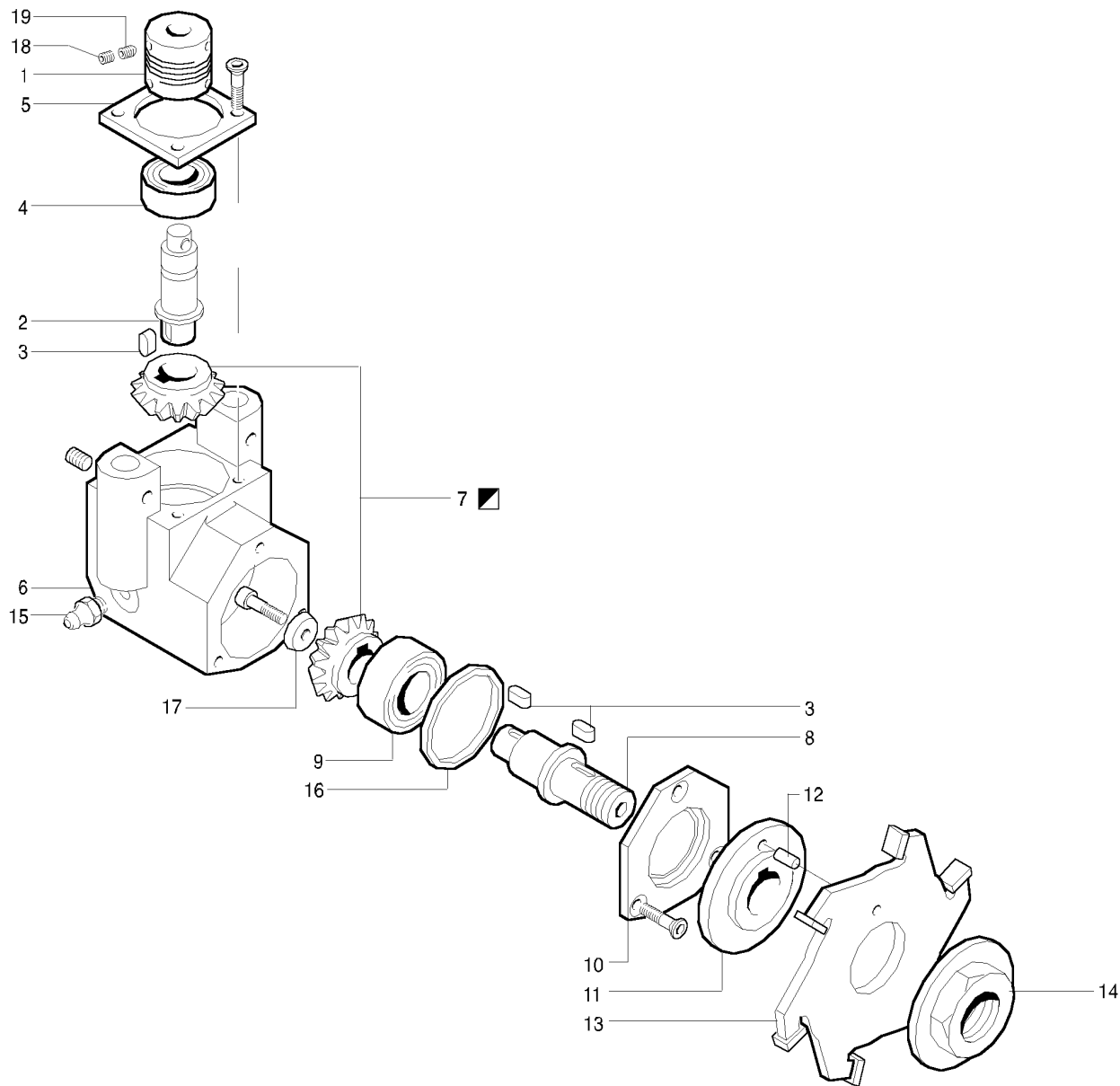
PARTS ORDERABLE

- 1 270704800 - JOINT W725-10-10XX
SITME B1725B0002 I
- 2 300437100 - SCREW M4X6
- 3 300401900 - SCREW M4X4
- 4 090529310 - SUPPORT
- 6 080460600 - SCREW M8X10
- 7 300480000 - SCREW M8X8
- 8 080731910 - SPINDLE DX
- 8 080732110 - SPINDLE SX
- 10 302510900 - TONGUE 4X4X8
- 11 290401600 - BEARING 12-28-12
- 12 080632500 - SPACER
- 13 290602000 - BEARING 22-28-14
- 14 080634800 - SPACER
- 15 300201400 - SCREW M4X10
- 16 162101500 - BEVEL GEAR SET RH
- 16 162101400 - BEVEL GEAR SET LH
- 18 290102300 - BEARING 6001-2RS RIV-SKF
- 19 160603401 - SPACER
- 20 081485211 - PLATE
- 22 301701200 - RING NUT M12X1
- 23 300405900 - SCREW M6X5
- 23 300403900 - SCREW M5X5
- 24 300203000 - SCREW M5X14



ROVER B 2.30 (5183600) - HORIZONTAL BORING CHUCK

C0108A07



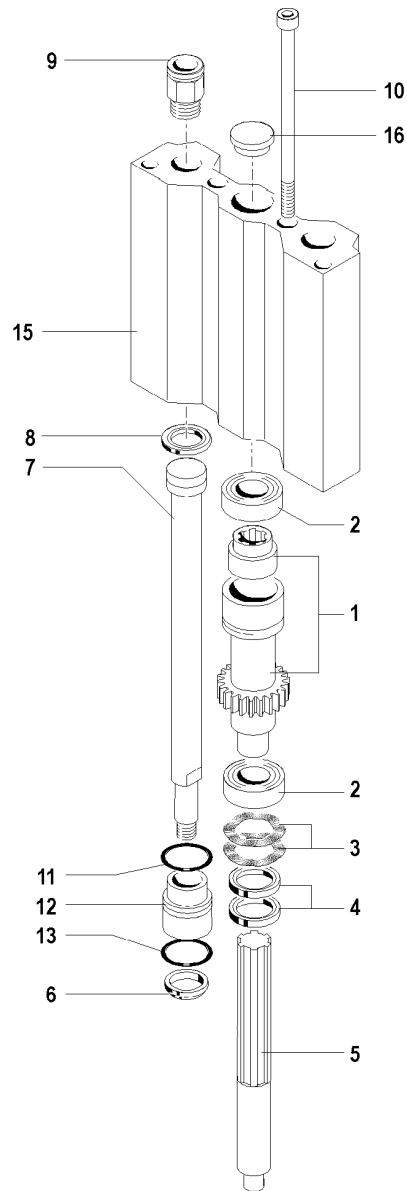
PARTS ORDERABLE

- 1 2707A0009 - JOINT W7 30-10-10 HELY-CAL
- 2 080755100 - SHAFT
- 3 302514000 - TONGUE 5X5X10
- 4 290402400 - BEARING 15-42-19
- 5 080123300 - FLANGE
- 6 0905A0105 - SUPPORT
- 7 162100801 - BEVEL GEAR SET MT M05/000096 NI
- 8 0807A0010 - SHAFT
- 9 290401500 - BEARING 20-47-20,6
- 10 090840100 - PLATE
- 11 0801A0112 - FLANGE
- 12 292200200 - DOWEL
- 13 340102001 - MILLING CUTTER DE=120 DI=35 S4,0 Z=30 VEDI MT 07-0111
- 14 080105304 - FLANGE RH
- 15 260500700 - GREASING NIPPLE
- 16 0806A0014 - SPACER
- 17 0804A0017 - WASHER
- 18 300403900 - SCREW M5X5
- 19 300439000 - SCREW M5X6



ROVER B 2.30 (5183600) - MILLING CUTTER

C0334A03

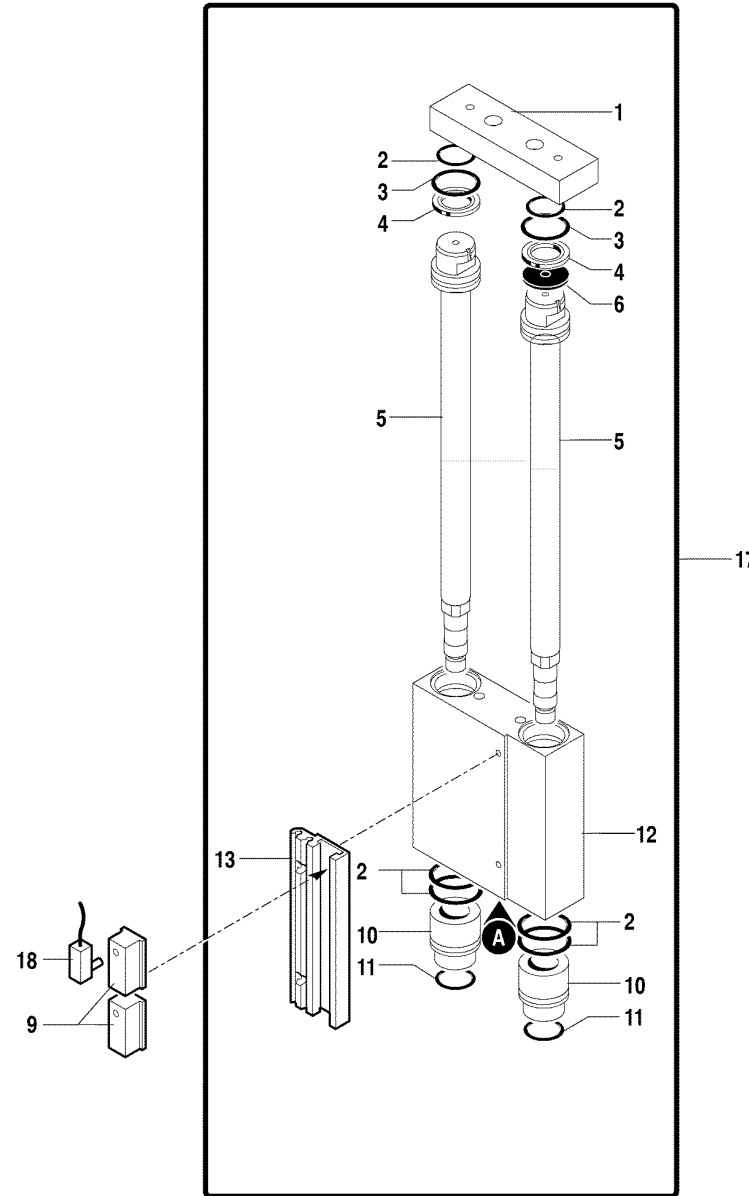
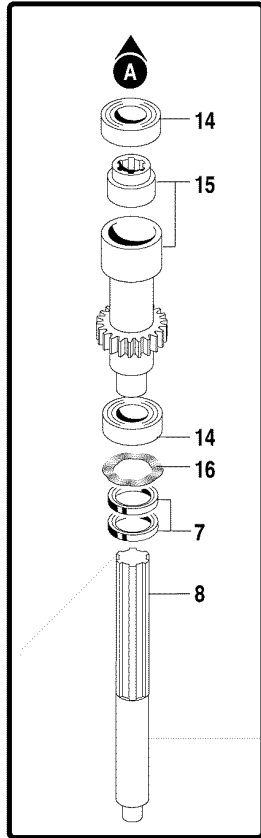


PARTS ORDERABLE	
1	1621A0008 - GEAR WHEEL DX
1	1621A0007 - GEAR WHEEL SX
2	293000200 - BEARING DI=20 DE=32 L=7 2930A0004 I
3	280700400 - RING
4	311402200 - GASKET G16X22X3
5	080747001 - SPINDLE
6	311402000 - RING G15-21-3
7	081522303 - PISTON M96/000296
8	310701000 - GASKET PK 20
9	2401A0023 - CONNECTOR D=6 D1=3/8
10	300204100 - SCREW M5X60
11	311001700 - GASKET OR 2068
12	0817A0013 - BUSHING
13	311003700 - RING OR 119
15	0916A0021 - CYLINDER LINER
16	240322100 - PLUG D=15.9



ROVER B 2.30 (5183600) - SLIDING UNIT

C0446A01

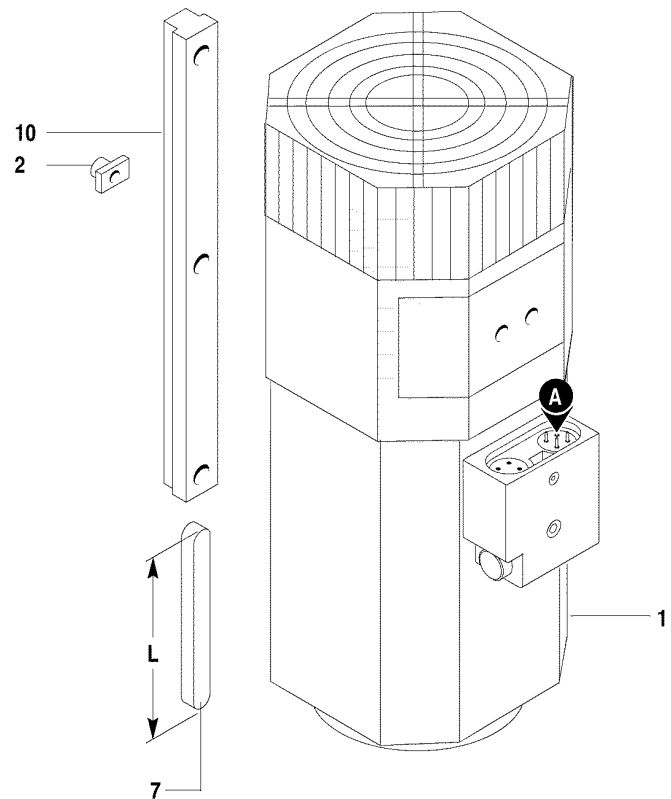
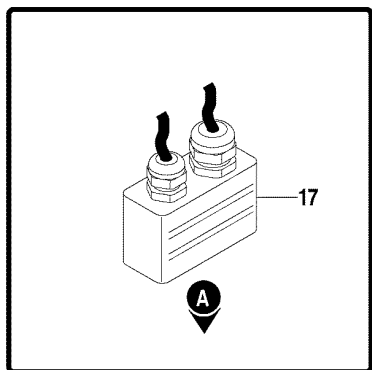


PARTS ORDERABLE	
1	0908A0237 - COVER
2	311002000 - RING OR 2087
3	311008000 - RING OR 4081
4	310700600 - GASKET PK 25
5	0815A0138 - PISTON
6	2040A0005 - MAGNET
7	311402200 - GASKET G16X22X3
8	080747001 - SPINDLE
9	2164A0320 - SENSOR
10	0817A0091 - BUSHING
11	311003700 - RING OR 119
12	0916A0052 - CYLINDER LINER
13	0905A0869 - SUPPORT
14	293000200 - BEARING DI=20 DE=32 L=7 2930A0004 I
15	1621A0007 - GEAR WHEEL SX
17	6327A0226 - BLADE DRIVE UNIT D=120
18	6480A0095 - CONNECTOR F=M8 POLE 3-F=M8 POLE 3-DEVICE NET 3X0,35 L=1,5M

ROVER B 2.30 (5183600) - SLIDING UNIT

C0465A04



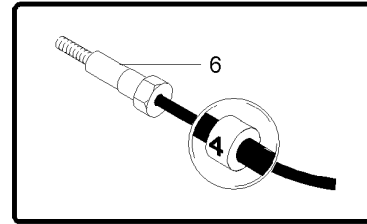
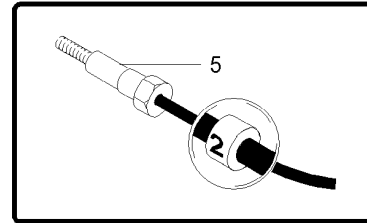
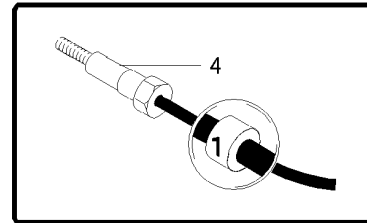
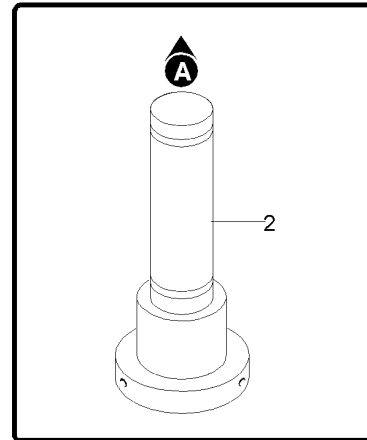
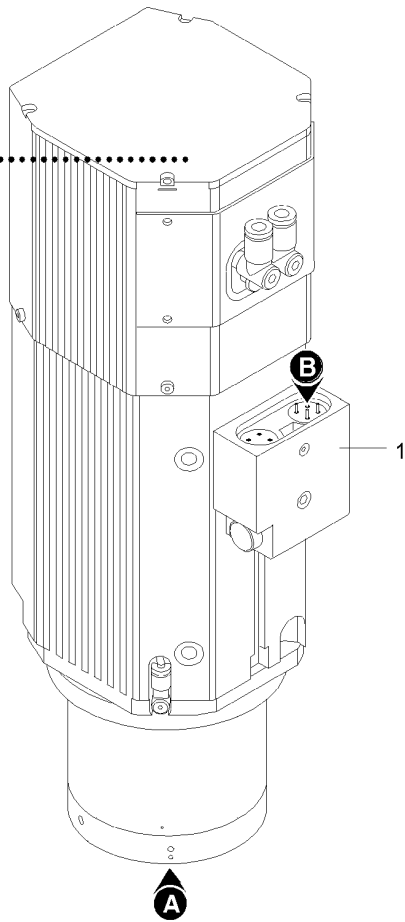
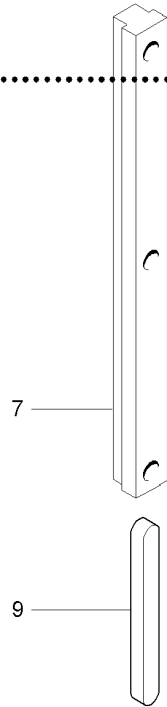
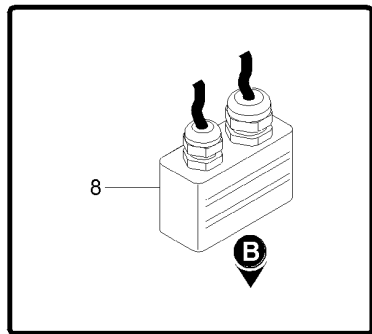
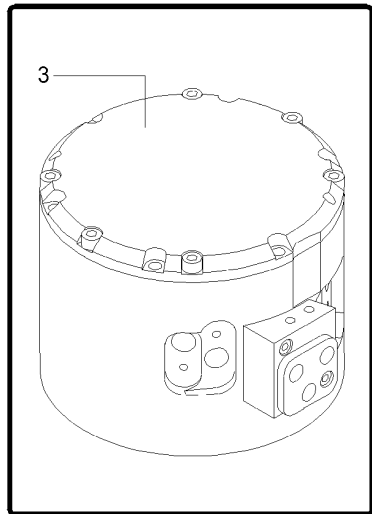


SCHEMAS

- 1 C0554A01 - ELECTROSPINDLE
- 17 M0131A00 - CONNECTOR

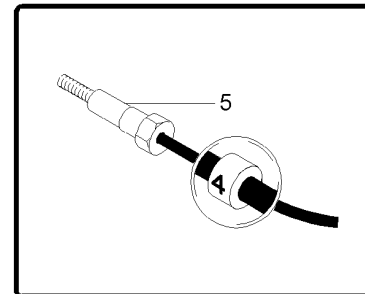
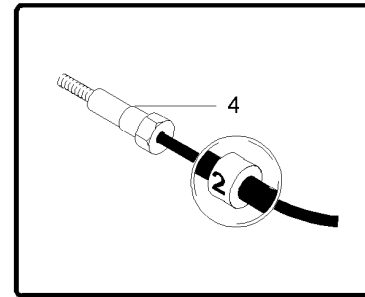
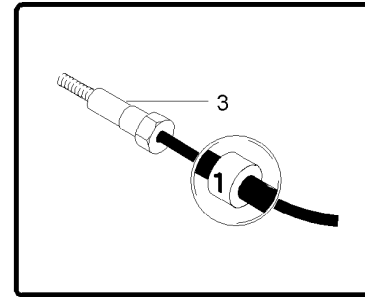
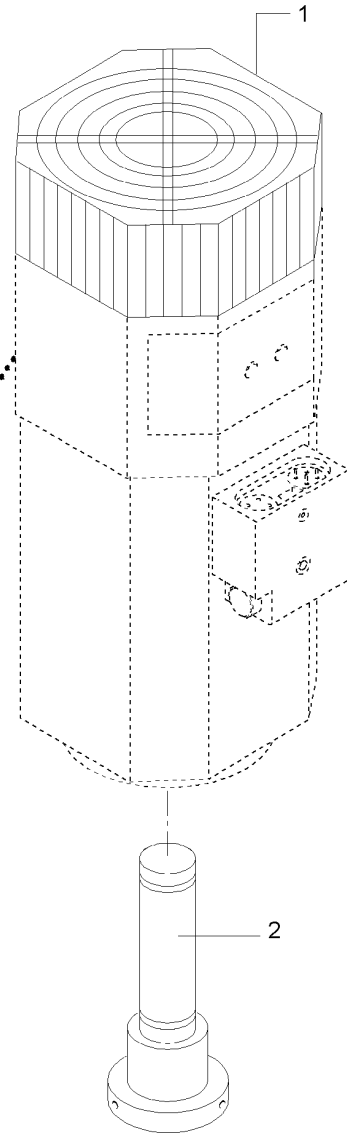
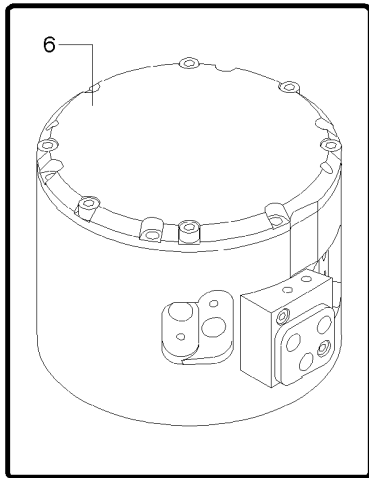
PARTS ORDERABLE

- 1 6410A0126 - ELECTROSPINDLE 7,5KW
ISO 30 VEDI TESTO NT
- 7 302521600 - FEATHER 8X7X90
- 10 0804A0146 - BAR L=185



SCHEMAS
8 M0131A00 - CONNECTOR

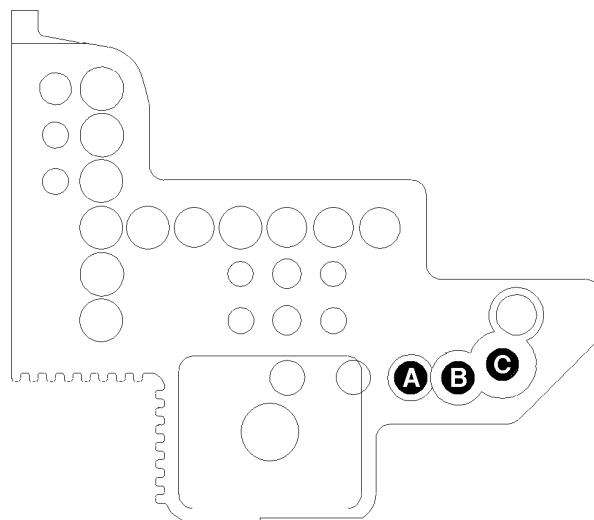
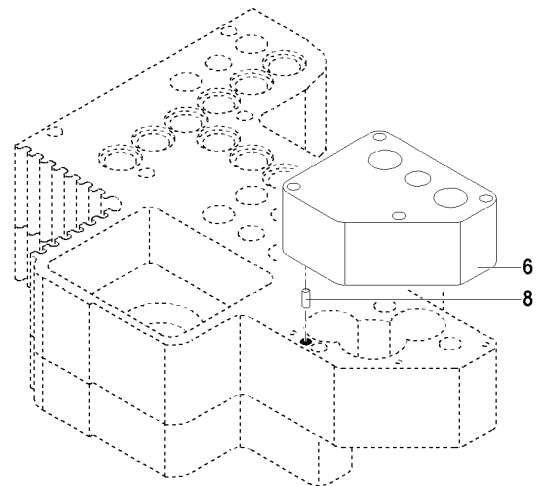
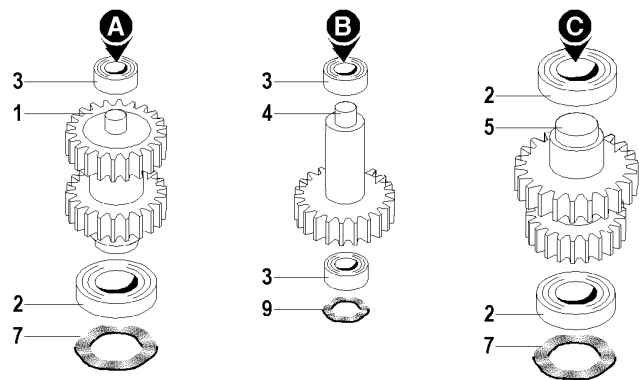




PARTS ORDERABLE

- 1 750123238 - FAN 9-10,5 HP H5661H0009
- 2 6423A0010 - SHAFT ES919 I4PNL ISO 30
- 3 750123234 - SENSOR 9-10.5 HP
- 4 750123235 - SENSOR 9-10.5 HP





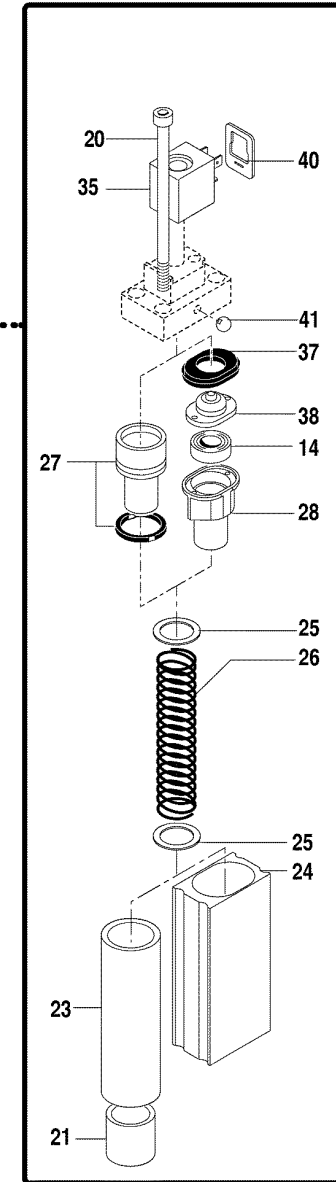
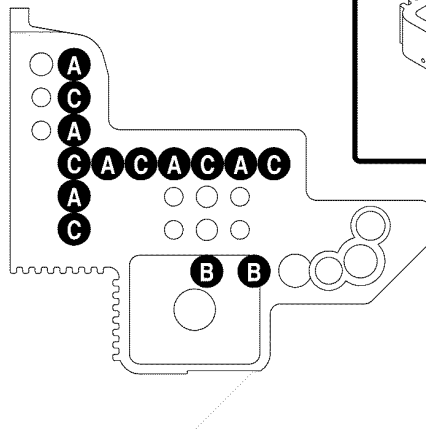
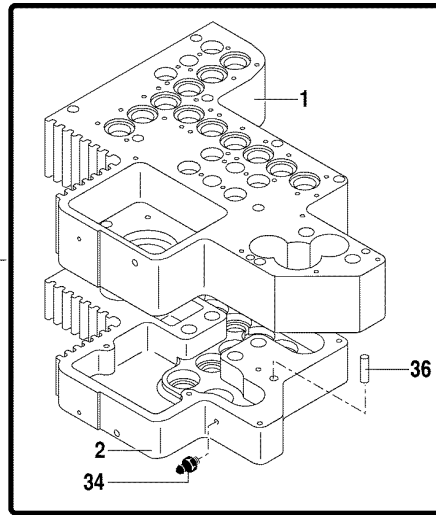
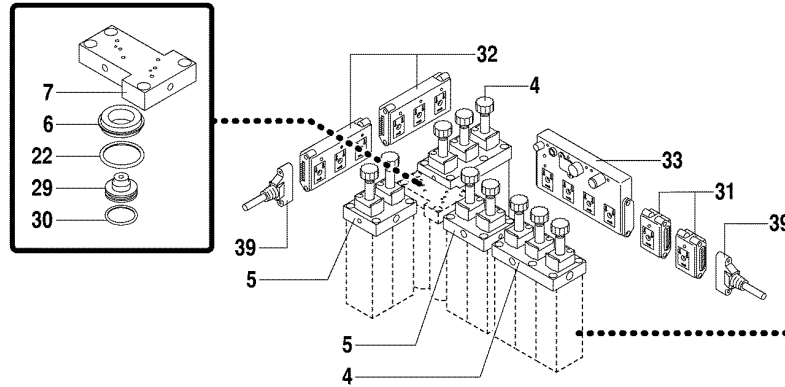
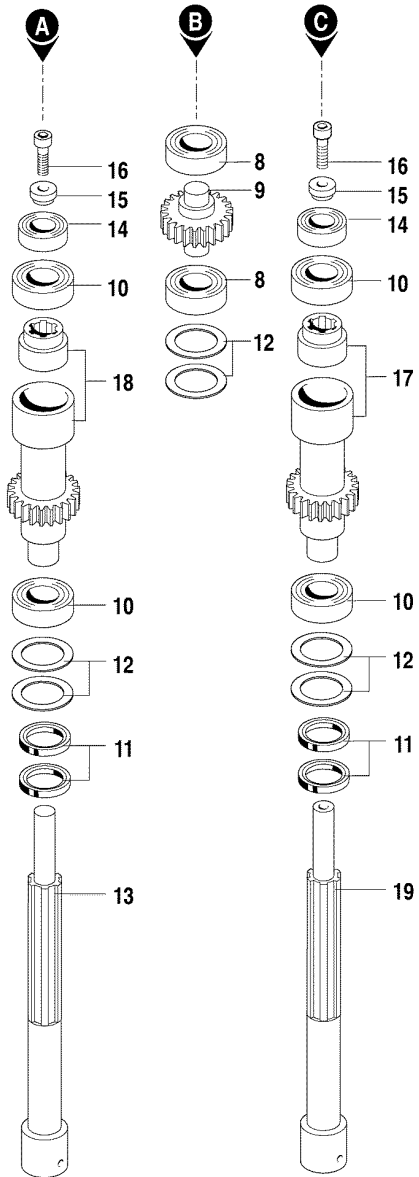
PARTS ORDERABLE

- 1 0821A0076 - GEAR
- 2 293000200 - BEARING DI=20 DE=32 L=7
2930A0004 I
- 3 290101700 - BEARING 6000-2RS1
- 4 082129000 - GEAR
- 5 082129100 - GEAR
- 6 0908A0355 - COVER
- 7 280700400 - RING
- 8 082001101 - DOWEL 8X28
- 9 2807A0001 - RING



ROVER B 2.30 (5183600) - BORING UNIT

C0604A00

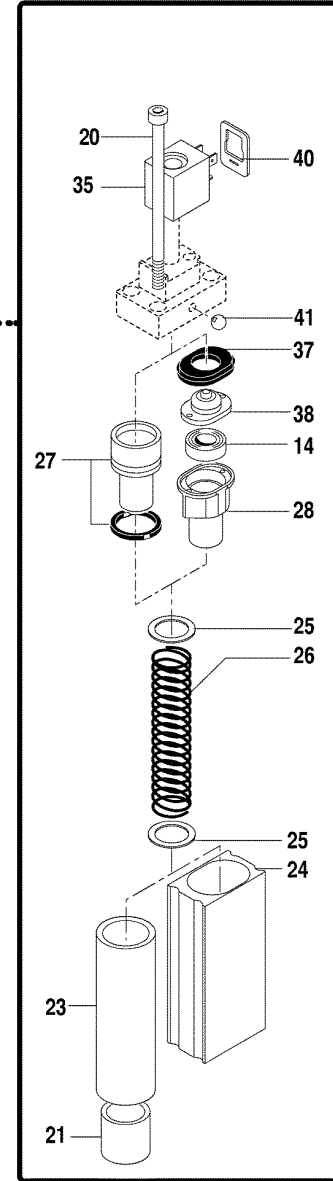
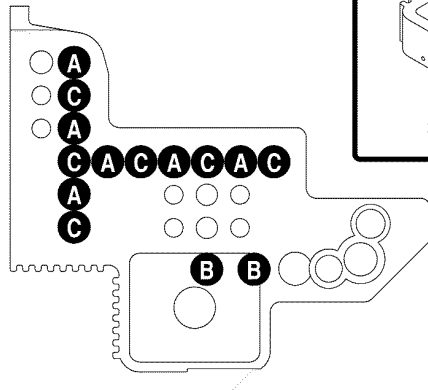
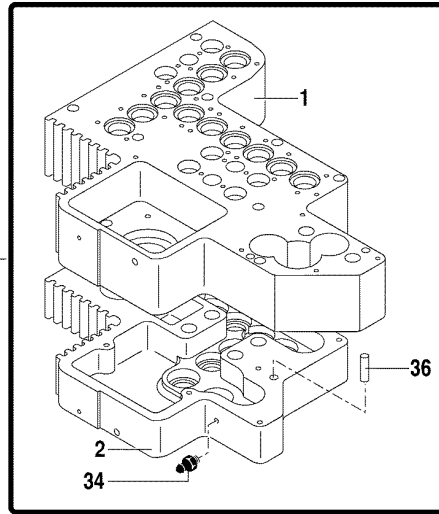
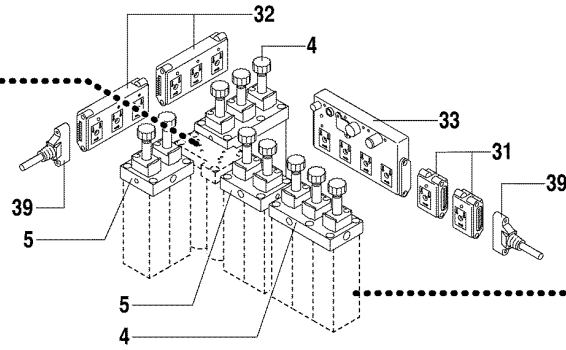
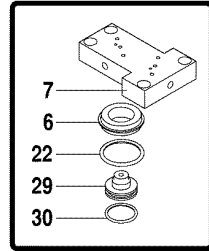
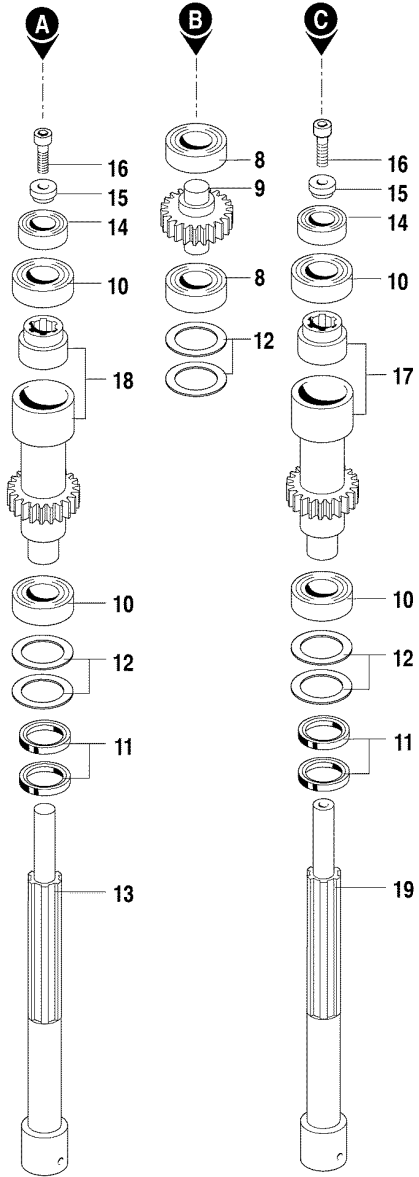


PARTS ORDERABLE	
1	0908A0336 - CASING
2	0912A0236 - BOX
3	1612A0142 - BOX 1612A0181 I
4	1713A0008 - DISTRIBUTOR
5	1713A0006 - DISTRIBUTOR
6	0817A0059 - BUSHING
7	0913A0113 - DISTRIBUTOR
8	290102500 - BEARING 6002-2RS RIV-SKF
9	082124901 - GEAR
10	293000200 - BEARING DI=20 DE=32 L=7 2930A0004 I
11	311402200 - GASKET G16X22X3
12	280700400 - RING
13	080746900 - SPINDLE RH
14	290100100 - BEARING 608-2RS RIV-SKF
15	080453400 - WASHER
16	300217000 - SCREW M5X16 *R12.9
17	1621A0008 - GEAR WHEEL DX
18	1621A0007 - GEAR WHEEL SX
19	080747100 - SPINDLE LH
20	300219000 - SCREW M5X130
21	0817A0033 - BUSH
22	311002100 - RING OR 2093
23	1116A0003 - CYLINDER LINER L=112MM
24	1416A0002 - CYLINDER LINER L=115MM
25	080656600 - RING
26	280104901 - SPRING DI=19,7 DE=23,1 L=85MM
27	1615A0002 - PISTON
28	1415A0004 - PISTON
29	090119512 - PLUG
30	311001800 - RING OR 2075
31	0109DE041B1 - MODULE H0109DE041B1 I
32	0109DE040B1 - MODULE H0109DE040B1 I
33	0109DE305B0 - MODULE H0109DE305B0 I
34	260500700 - GREASING NIPPLE



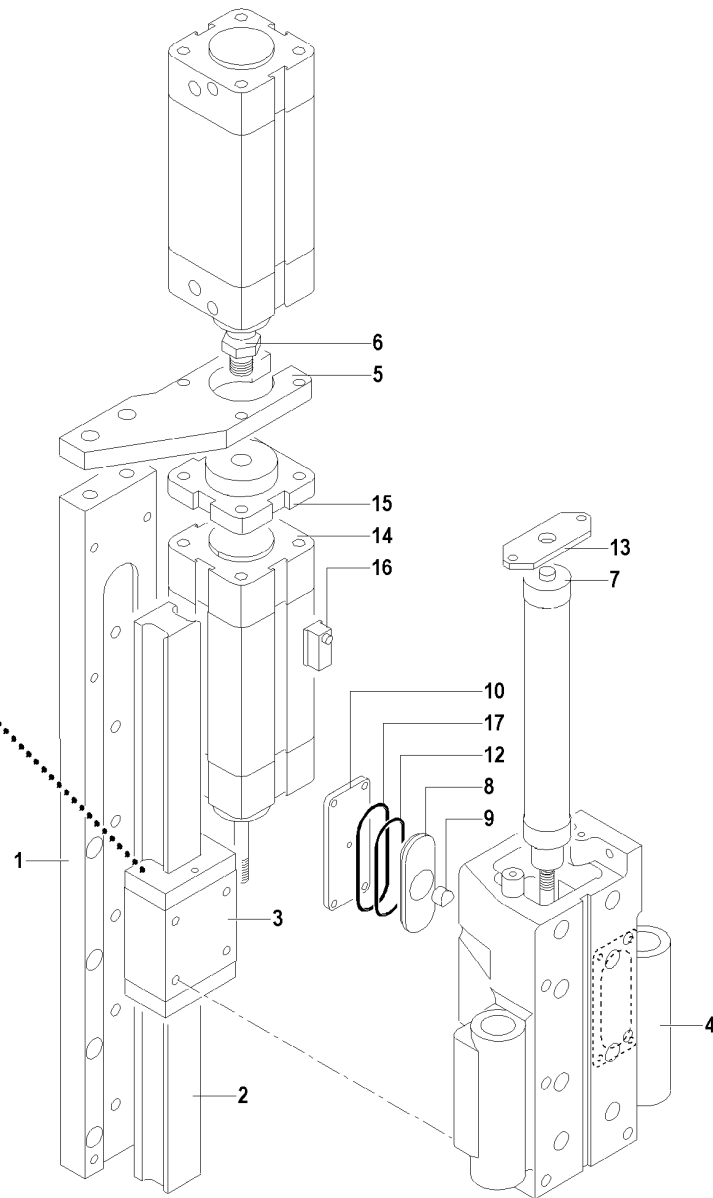
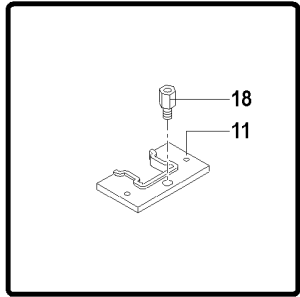
ROVER B 2.30 (5183600) - BORING UNIT

C0605A00



- 35 2120A0049 - ELECTROMAGNETIC COIL
8W
- 36 082001101 - DOWEL 8X28
- 37 1419A0015 - GASKET
- 38 1415A0003 - PISTON
- 39 0109DE042A0 - MODULE
H0109DE042A0
- 40 3123A0232 - GASKET
- 41 292100200 - BALL HSK F63



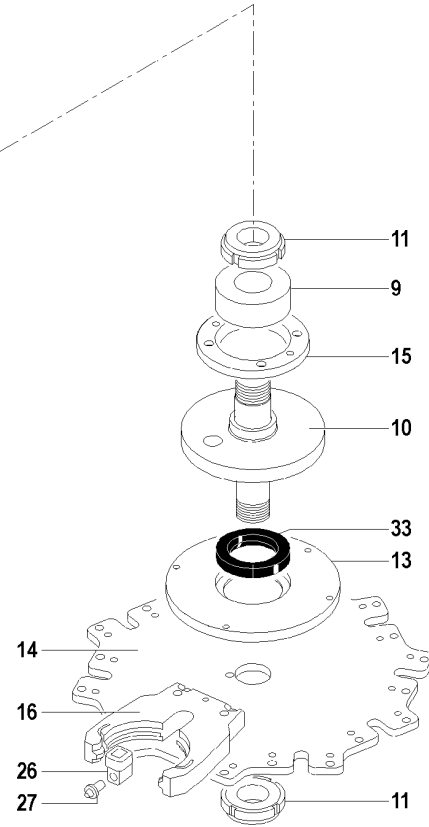
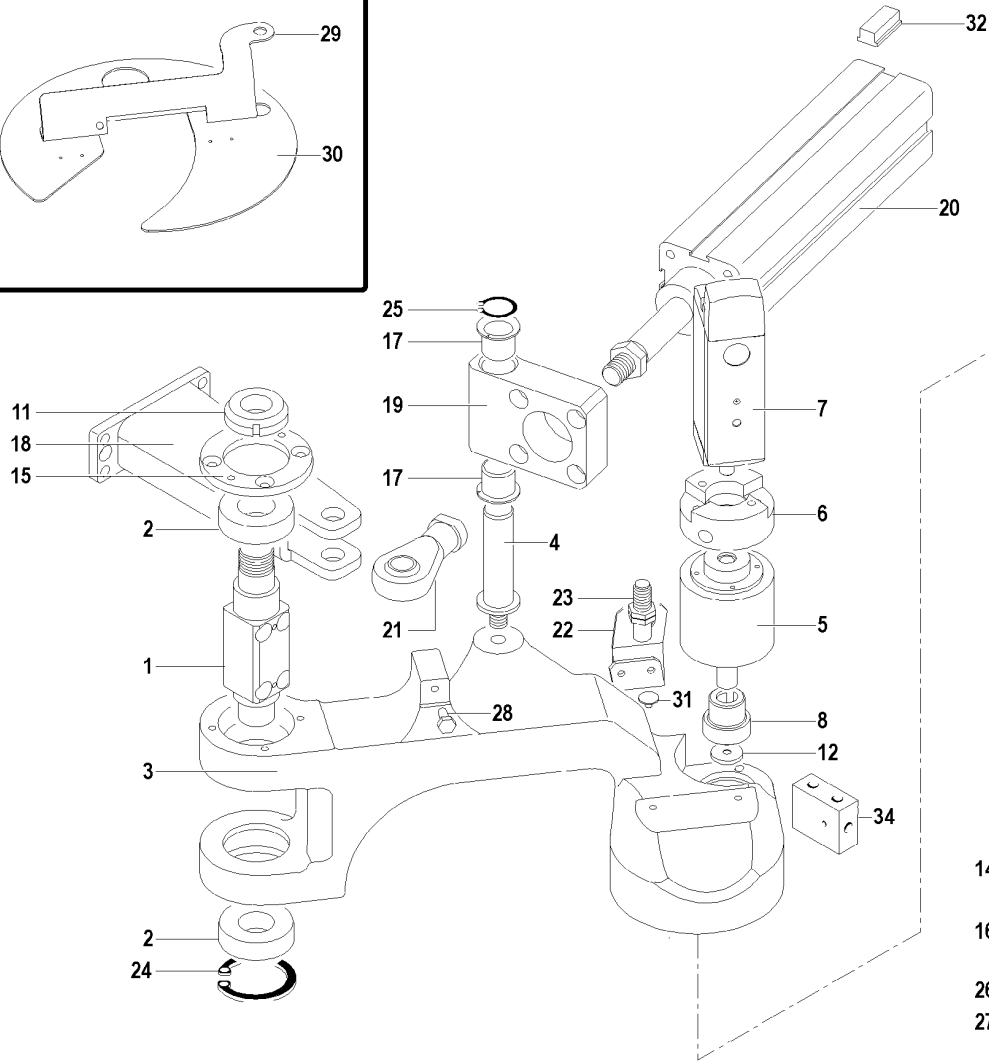
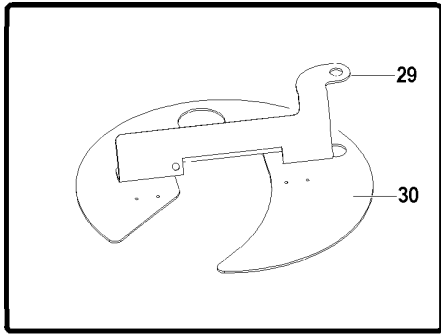


PARTS ORDERABLE

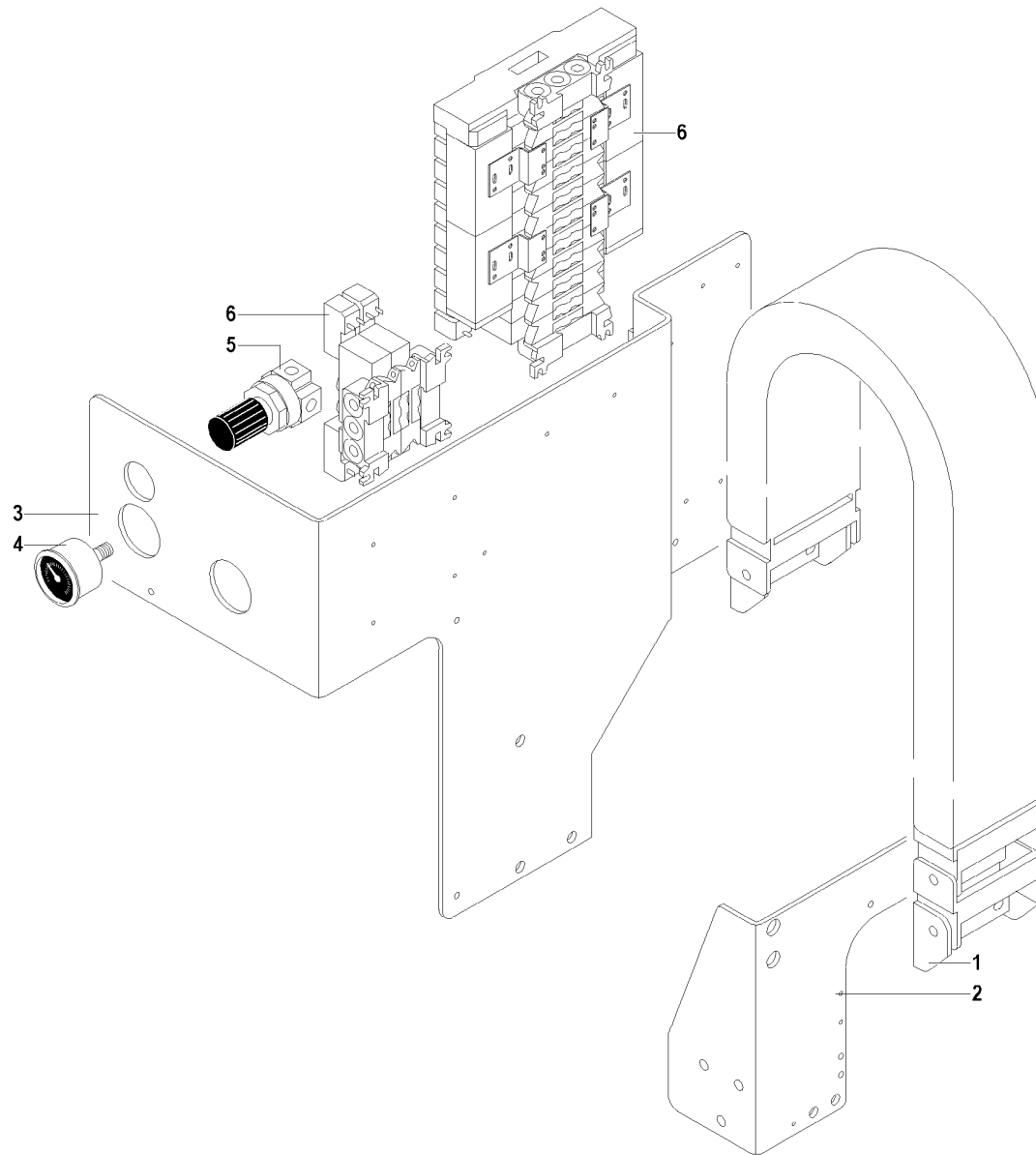
- 1 0814A1258 - PLATE
- 2 2914A0723 - GUIDE
- 3 2914A0722 - SLIDE BLOCK
- 4 0911A0344 - SLIDE
- 5 0814A1259 - PLATE
- 6 2420A1222 - CYLINDER
- 7 2420A1070 - CYLINDER
- 8 0915A0030 - PISTON
- 9 0920A0004 - PIN
- 10 0808A0025 - COVER
- 11 312005900 - SCRAPER H=35 MM
- 12 311026600 - SEAL RING
- 13 1214A0741 - PLATE
- 14 2420A1221 - CYLINDER
- 15 0801A0422 - FLANGE
- 16 2164A0320 - SENSOR
- 17 311026800 - SEAL RING OR 2250
- 18 080662500 - SPACER H=23

ROVER B 2.30 (5183600) - SLIDING UNIT

C0606A00

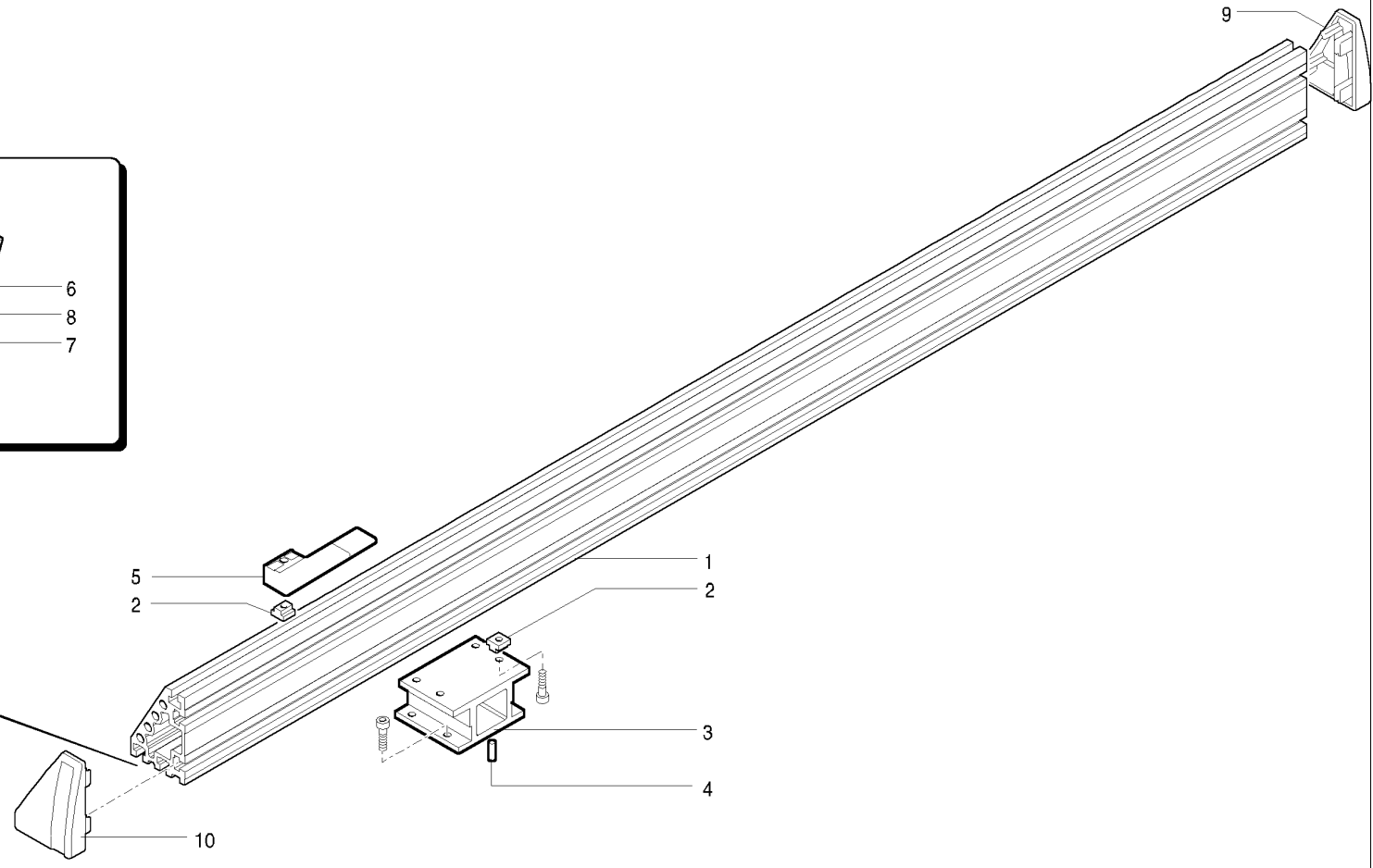
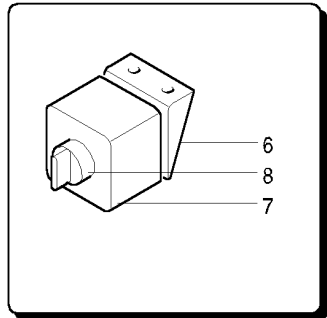


PARTS ORDERABLE	
1	0820A0428 - PIN
2	290101200 - BEARING
3	0905A1327 - SUPPORT
4	0820A0427 - PIN
5	2001A0483 - REDUCTION UNIT
6	0801A0394 - FLANGE
7	0102D137B0 - MOTOR VEDERE TESTI NT
8	0821A0204 - GEAR
9	290400600 - BEARING 25-52-20,6
10	0821A0205 - GEAR
11	3017A0004 - RING NUT M24X2
12	080454100 - WASHER
13	0908A0356 - COVER
14	0805A0316 - SUPPORT
15	0801A0393 - FLANGE
16	1705A0124 - TOOL HOLDER ISO 30
17	2910A0068 - BUSHING
18	1205A1286 - SUPPORT
19	0814A1185 - FIXING PLATE 0914A0909 I
20	2420A1120 - CYLINDER
21	2919A0018 - ARTICULATED JOINT
22	1205A0955 - SUPPORT
23	2164A0359 - SENSOR M12 SHORT 3RG4012
24	302916900 - RING I 52
25	302901700 - RING E 20
26	1414A0170 - SUPPORT HSK F63
27	0820A0142 - DOWEL
28	0804A0035 - SCREW M6X14
29	1208A1741V - CASING
31	0820A0329 - LOCKPIN
32	2164A0320 - SENSOR
33	311405300 - RING
34	091302800 - BLOCK ISO 30



SCHEMAS

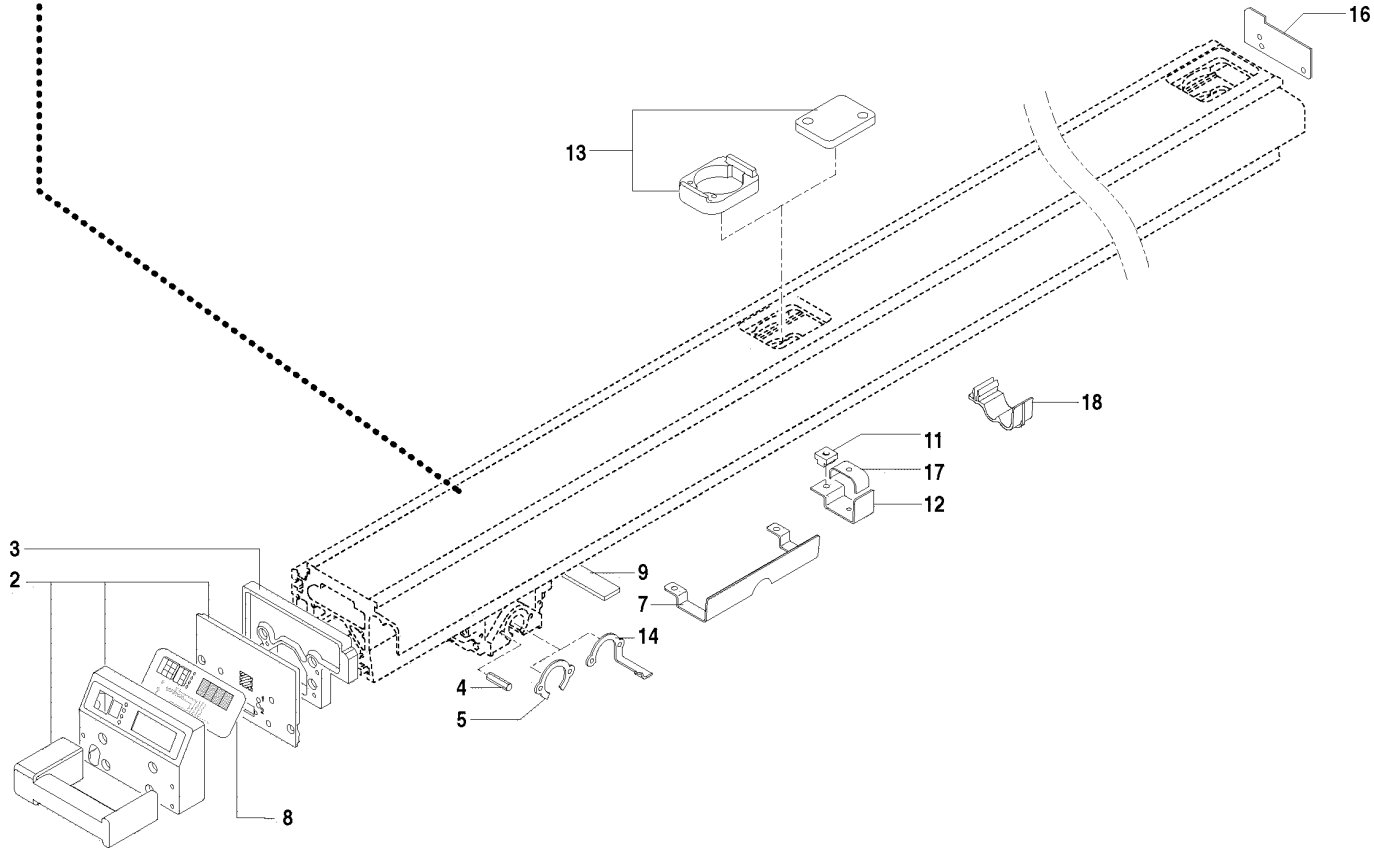
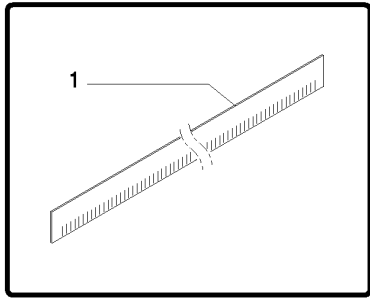
- 1 M0139A00 - CABLE-HOLDER CHAIN
 - 6 N0232A01 - ELECTROVALVE
- PARTS ORDERABLE**
- 3 1205A1383V - SUPPORT



PARTS ORDERABLE

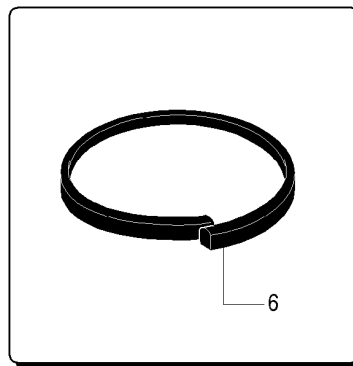
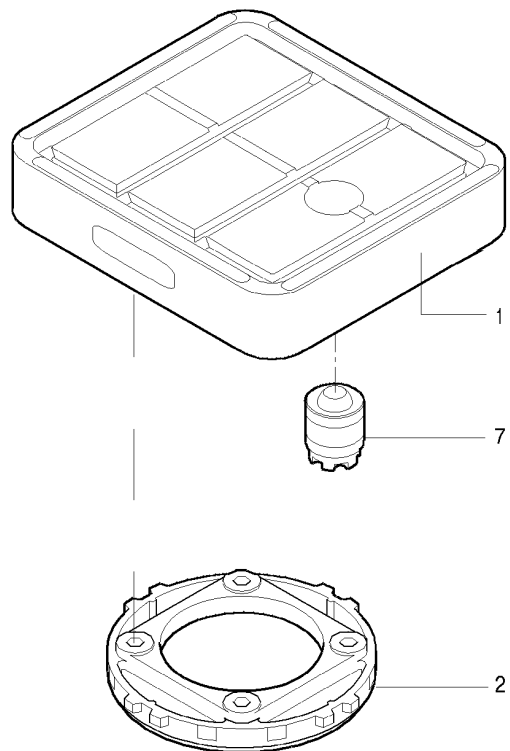
1	0905A1013 - SUPPORT L=1119	
1	0905A0793 - SUPPORT L=1119	
2	0804A0038 - NUT	
3	0905A0893 - SUPPORT	
9	1401A0060 - PLUG DX 1401A0089 NI	
10	1401A0059 - PLUG SX 1401A0088	NI





SCHEMAS	
1	E0273A00 - MILLIMETRE RULE
13	E0280A00 - PLUG
PARTS ORDERABLE	
2	6424A0007 - HANDLE 6424A0017 I
3	0906A0086 - SPACER
4	0806A0481 - SPACER H=41
5	1226A0004V - NONIUS
7	1205A1201 - SUPPORT
9	1214A0438 - SUPPORT
11	0804A0038 - NUT
14	1226A0007V - NONIUS SX
16	1208A1083 - COVER ATS-EPS

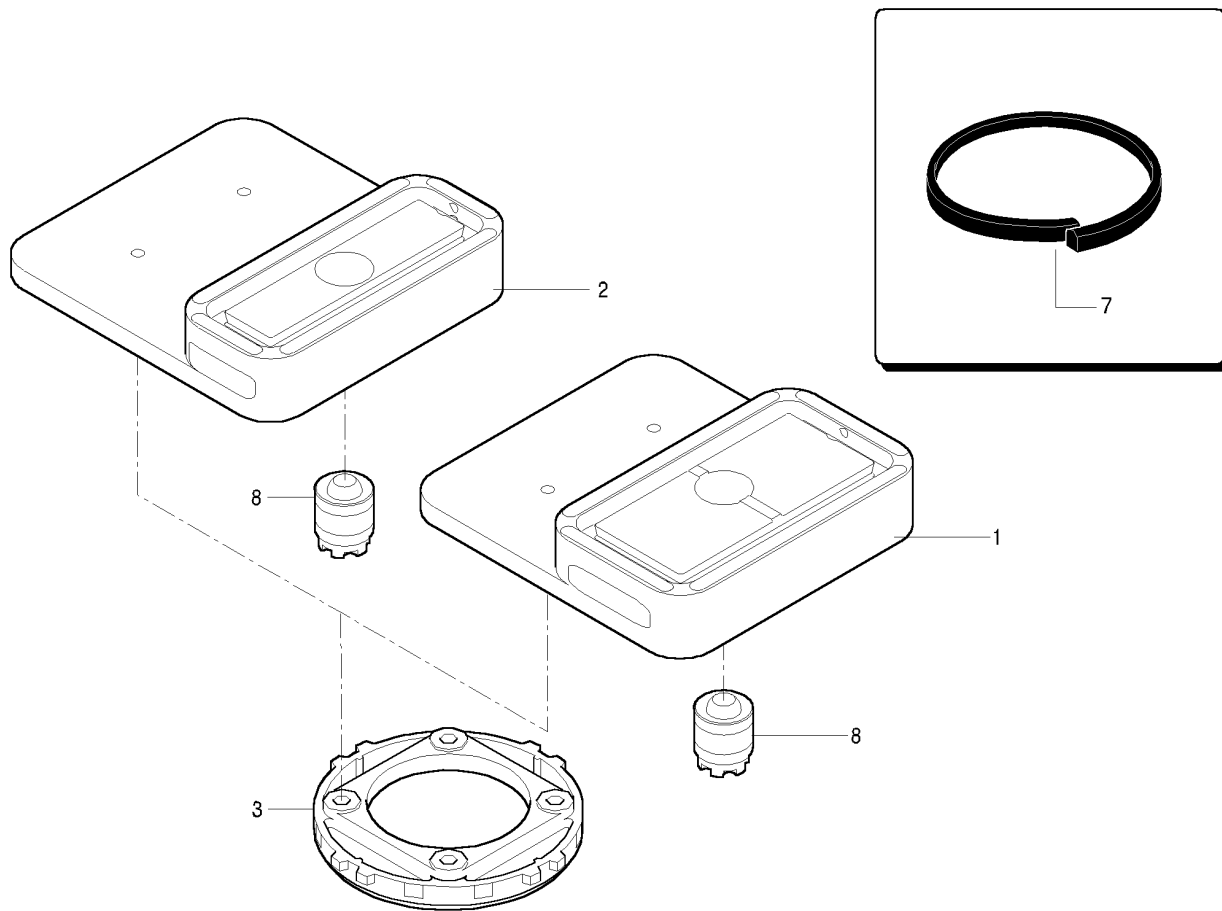




PARTS ORDERABLE

- 1 1614A0089 - PLATE 132X146 7501A9212
- 2 1405A0013 - SUPPORT
- 6 3123A0076 - GASKET VEDI TESTO NT
- 7 1704A0012 - SHUTTER

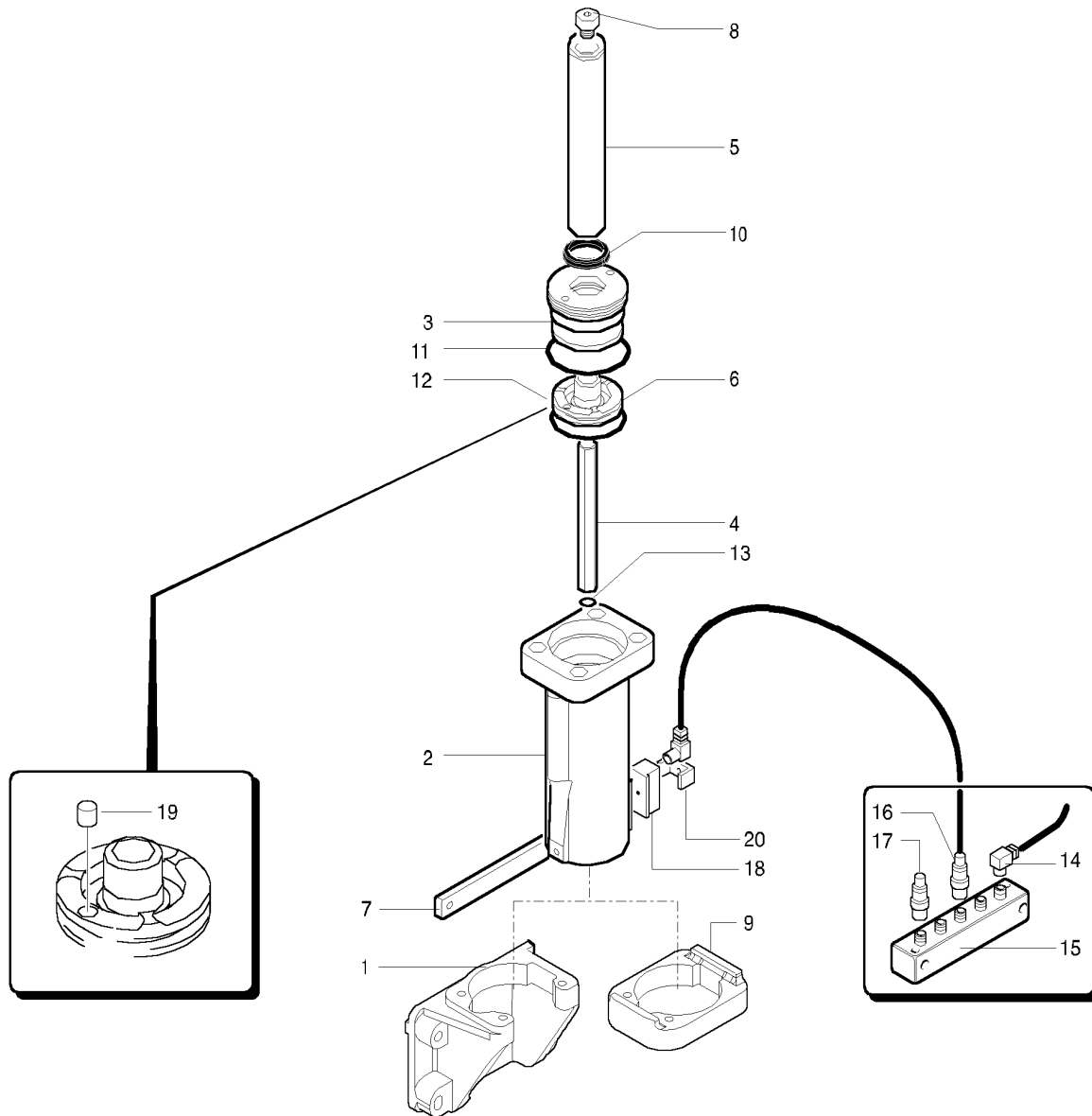




PARTS ORDERABLE

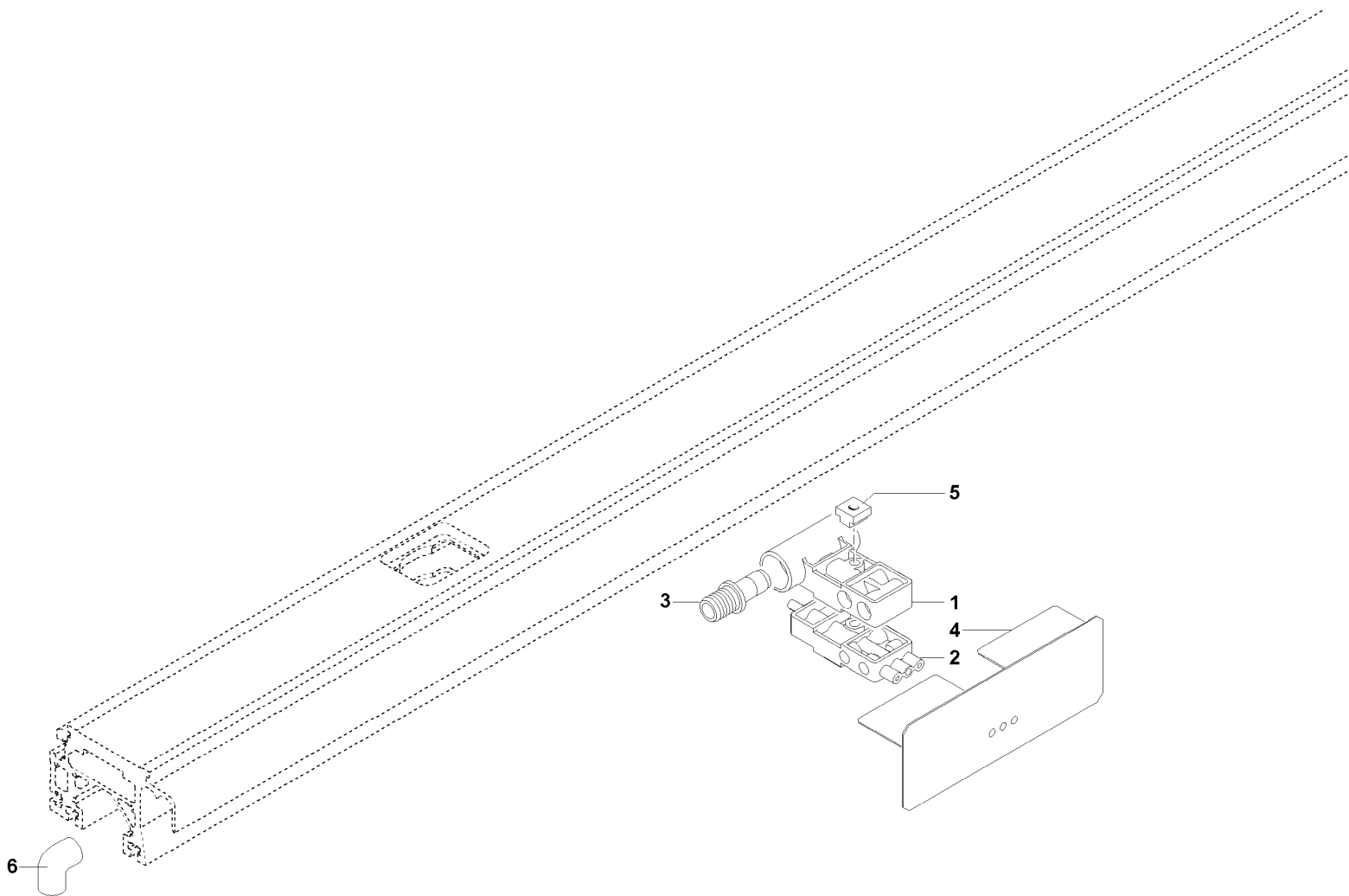
- 1 1614A0088 - PLATE 131,5X75X29,1
7501A9213 I
- 2 1614A0087 - PLATE 132X50 7501A9214
I
- 3 1405A0013 - SUPPORT
- 7 3123A0076 - GASKET VEDI TESTO NT
- 8 1704A0012 - SHUTTER





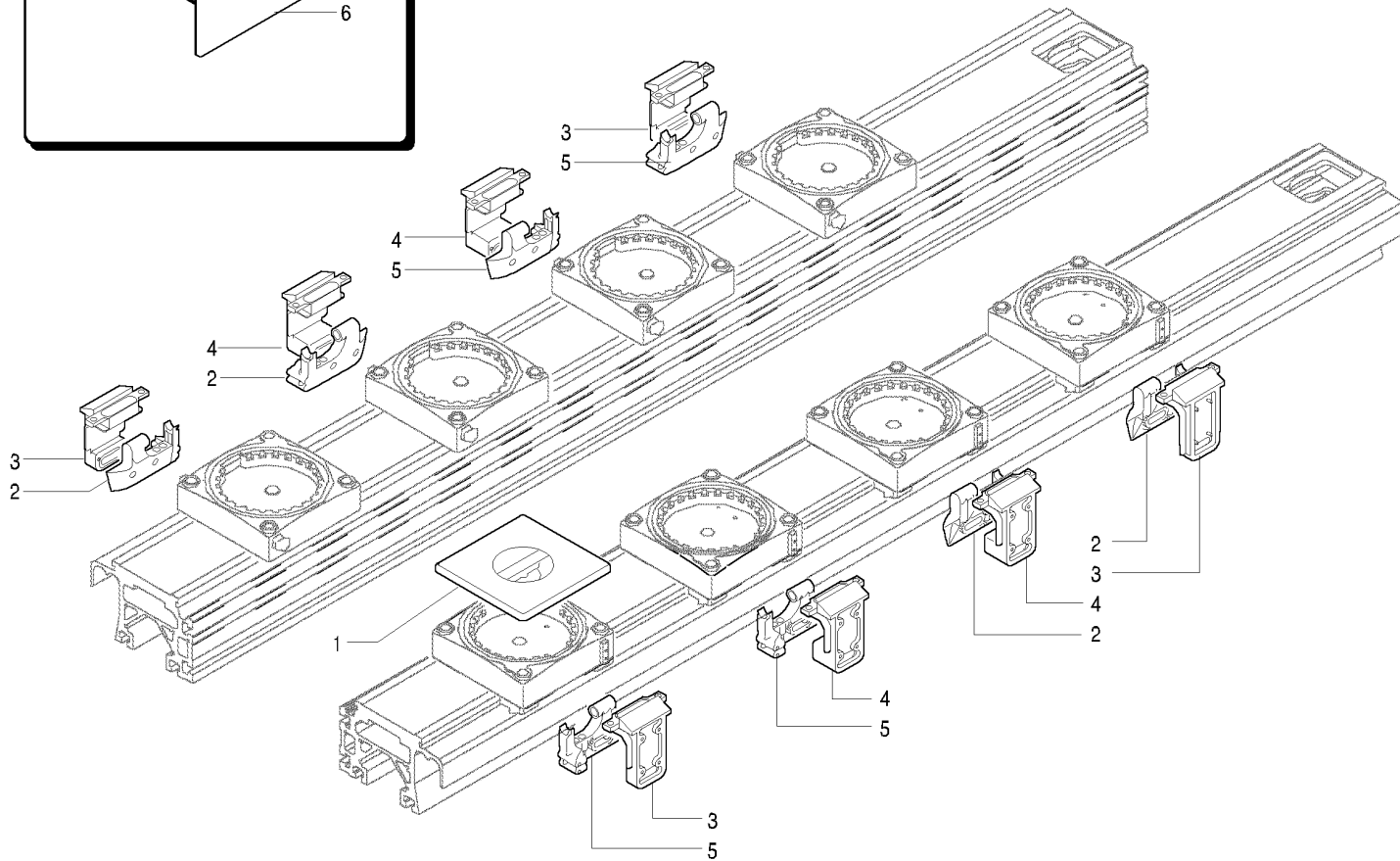
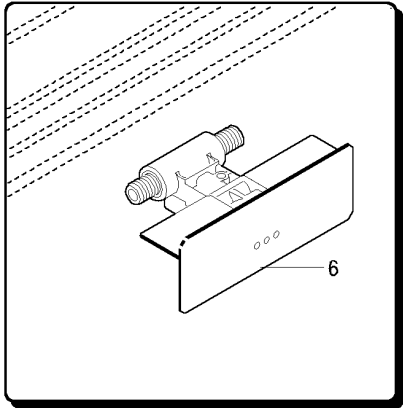
PARTS ORDERABLE

1	0905A0874 - SUPPORT	0905A2030	I
2	0916A0059 - CYLINDER LINER		
3	0717A0005 - BUSHING		
4	0820A0246 - PIN		
5	0815A0152 - ROD		
6	0915A0024 - PISTON	0915A0036	I
7	0802A0023 - GIB		
8	1401A0037 - PLUG	300206300	I
9	0914A0470 - PLATE	0914A0976	I
10	3110A0021 - SEAL RING		
11	311026200 - SEAL RING		
12	3123A0073 - GASKET 1540/31	"PNEUMAX"	
13	311000600 - SEAL RING		
19	2010A0018 - MAGNET		



PARTS ORDERABLE

- 1 1713A0013 - DISTRIBUTOR
- 2 1413A0009 - AIR DISTRIBUTOR
- 3 1104A0010 - CONNECTOR
- 4 1208A1641 - COVER
- 5 0804A0038 - NUT



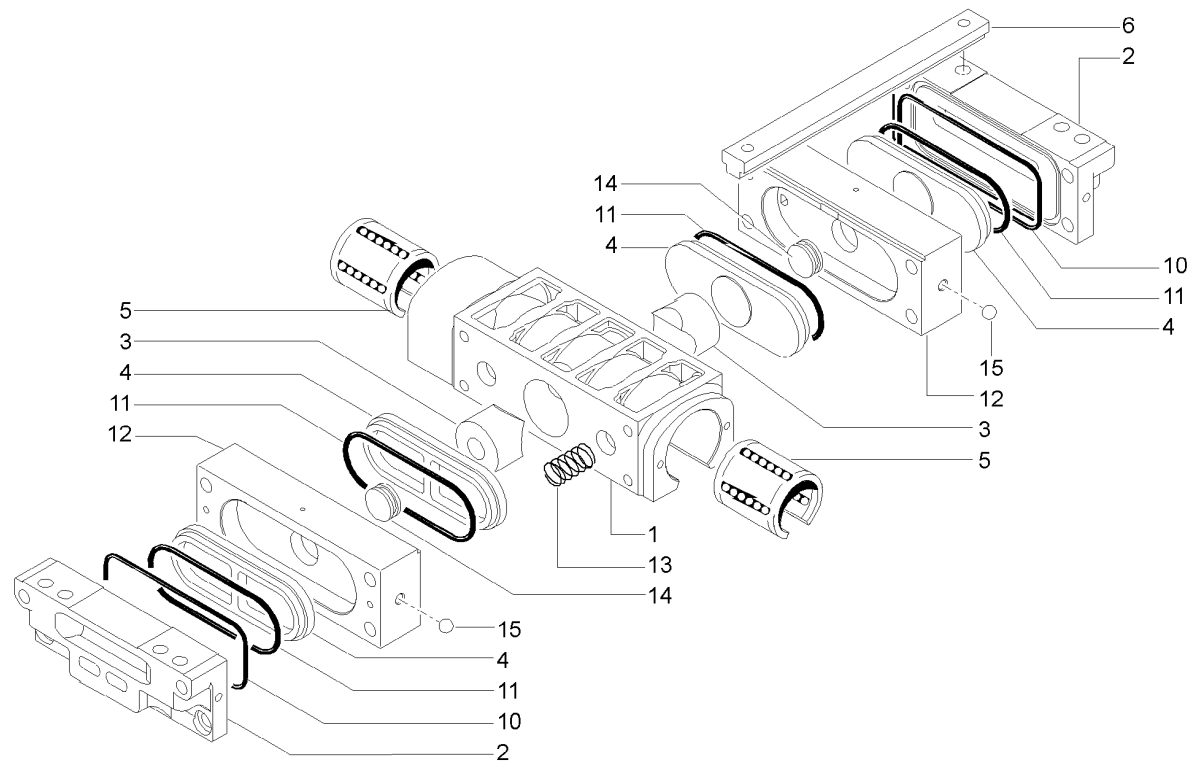
SCHEMAS

6 E0236A01 - DISTRIBUTOR



ROVER B 2.30 (5183600) - DISTRIBUTOR

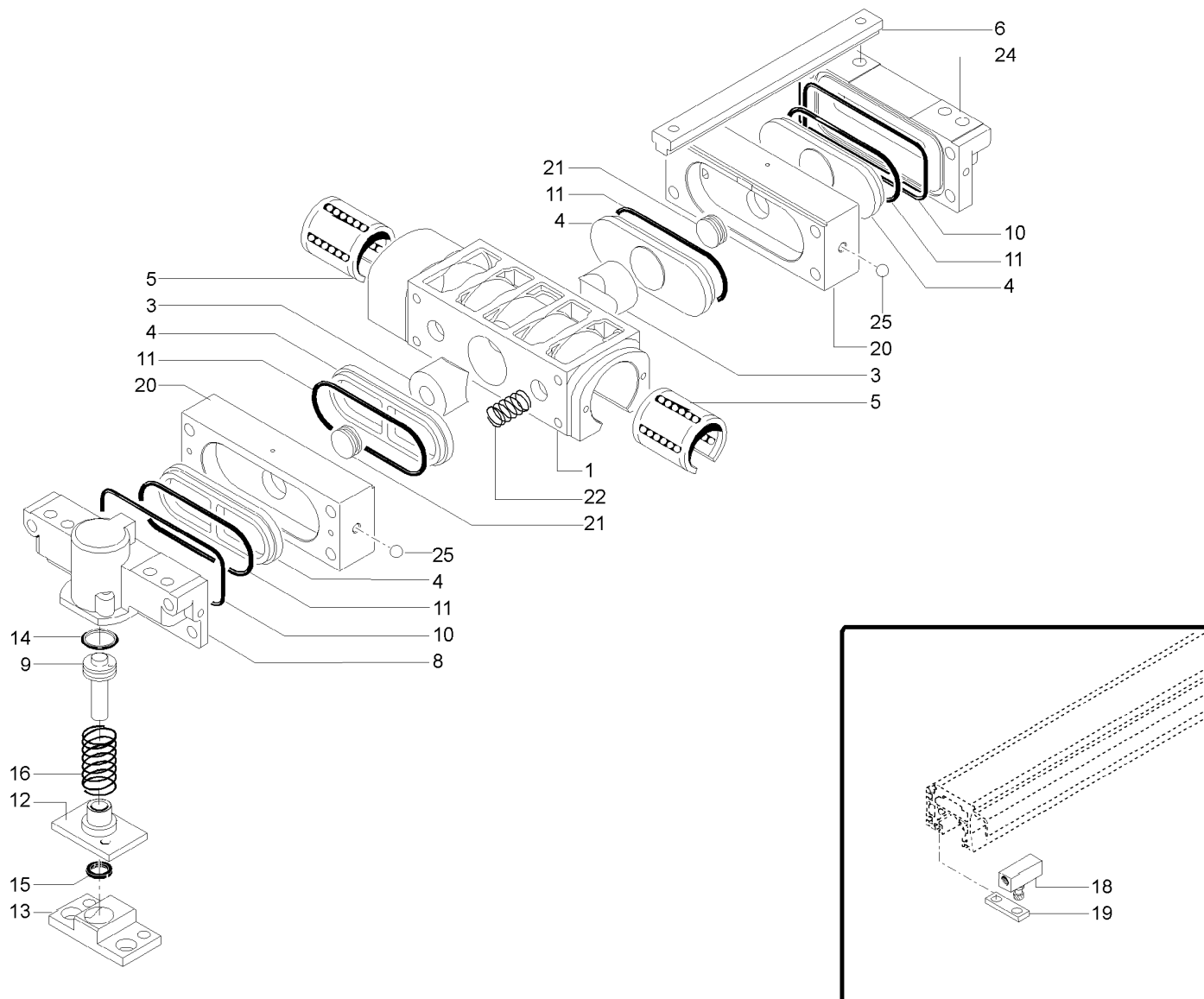
E0239A01



PARTS ORDERABLE

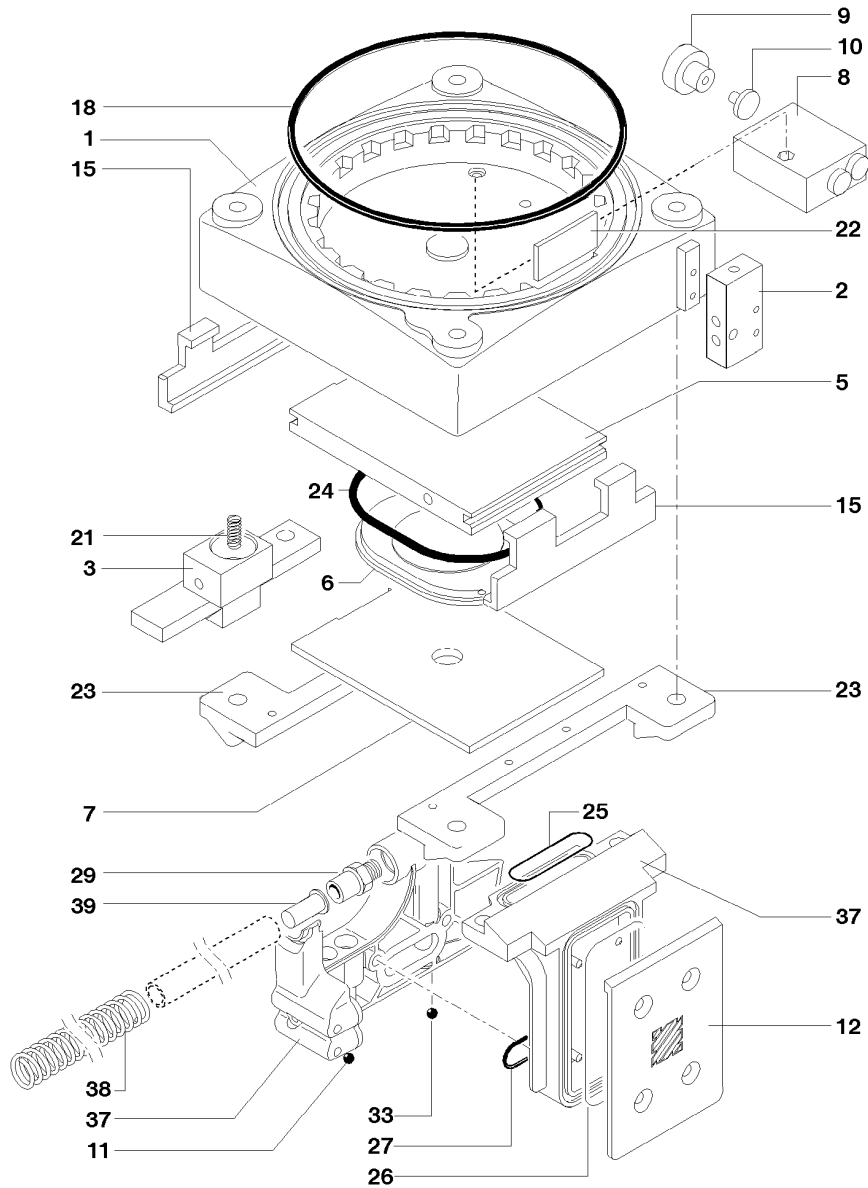
- 1 0705A0071 - SUPPORT
- 2 0901A0174 - CYLINDER LINER
- 3 0915A0012 - ROD
- 4 0915A0030 - PISTON
- 5 292502400 - BUMP SLEEVE 0673-220-40 STAR
- 6 0802A0030 - GIB
- 10 311027000 - SEAL RING
- 11 3110A1892 - SEAL RING
- 12 0916A0087 - CYLINDER LINER
- 13 2801A0016 - SPRING DE=9,5 DI=7,5
- 14 0820A0323 - PIN
- 15 2921A0043 - BALL





PARTS ORDERABLE	
1	0705A0071 - SUPPORT
3	0915A0012 - ROD
4	0915A0030 - PISTON
5	292502400 - BUMP SLEEVE 0673-220-40 STAR
6	0802A0030 - GIB
8	0916A0079 - CYLINDER LINER
10	311027000 - SEAL RING
11	3110A1892 - SEAL RING
15	311001300 - SEAL RING OR 114
18	241402200 - FLOW REGULATOR F=M5
19	0814A0909 - PLATE
20	0916A0087 - CYLINDER LINER
21	0820A0323 - PIN
22	2801A0016 - SPRING DE=9,5 DI=7,5
24	0901A0174 - CYLINDER LINER
25	2921A0043 - BALL





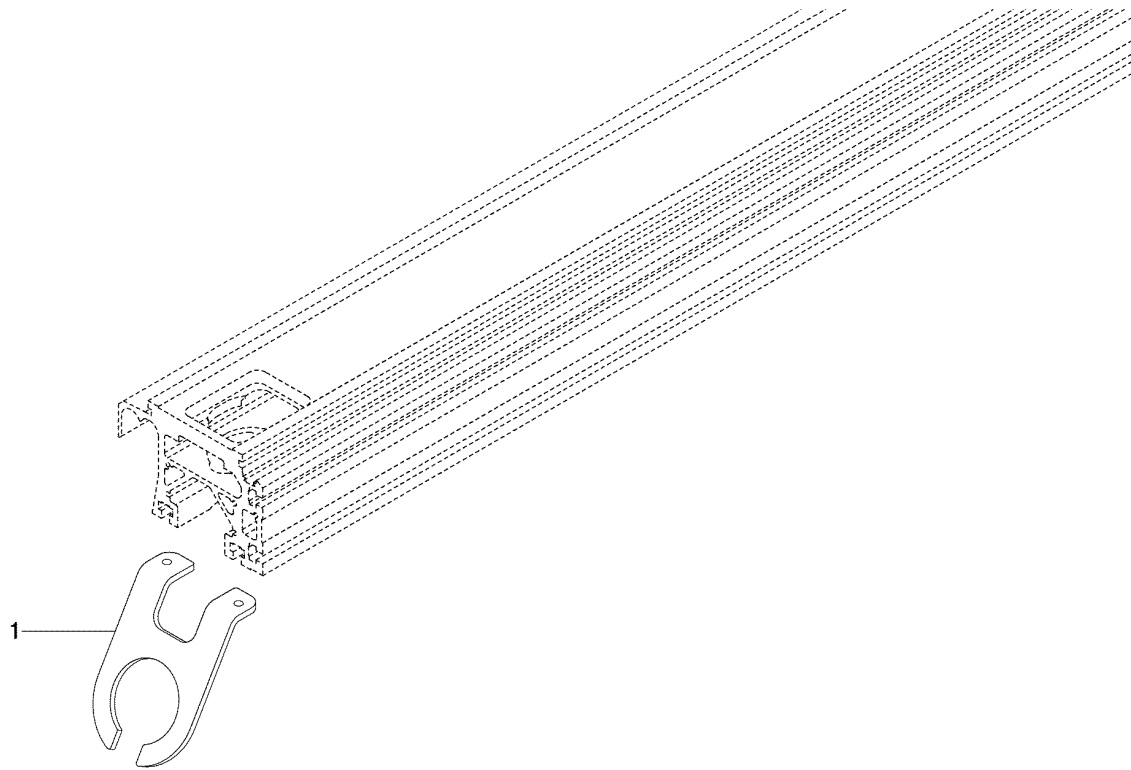
SCHEMAS

37 E0239A01 - DISTRIBUTOR



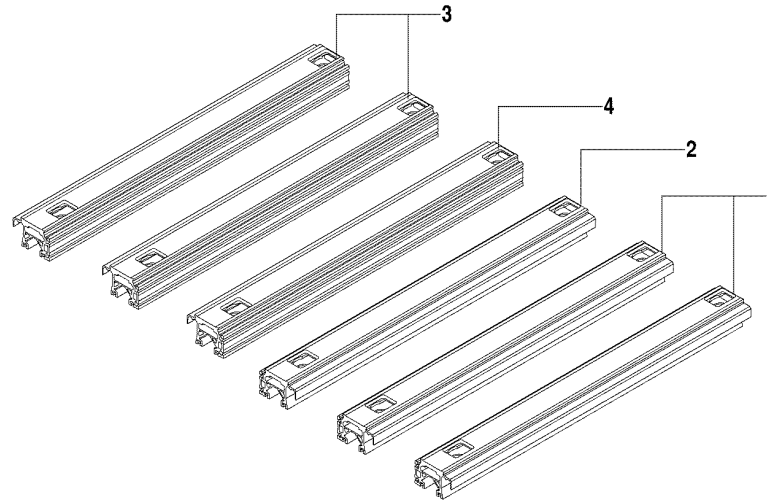
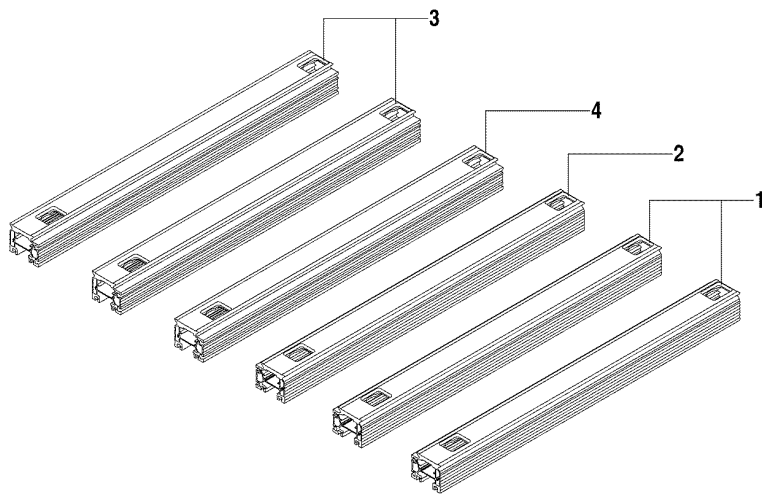
ROVER B 2.30 (5183600) - SHAPEABLE SUCTION CUP - ATS

E0259A00



PARTS ORDERABLE	
1	1205A1218 - SUPPORT



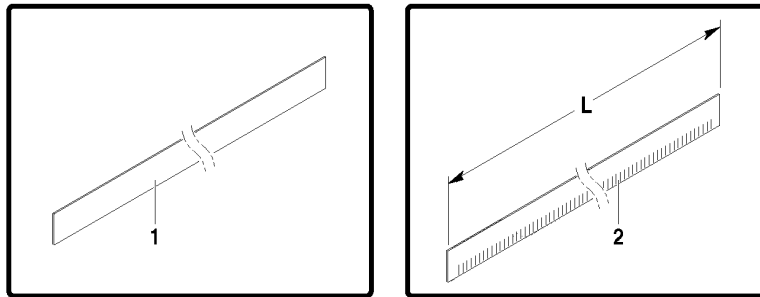


PARTS ORDERABLE

- 1 0905A1454 - SUPPORT ATS
- 2 0905A1216 - SUPPORT ATS
- 3 0905A1452 - SUPPORT ATS
- 4 0905A1453 - SUPPORT ATS

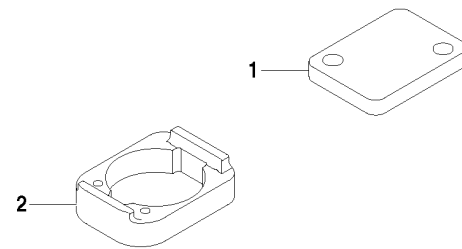
PARTS ORDERABLE

- 1 1426A0015 - MILLIMETRE RULE L=800
1426A0031 I
- 2 1426A0012 - MILLIMETRE RULE L=800
- 2 1426A0013 - MILLIMETRE RULE L=1600



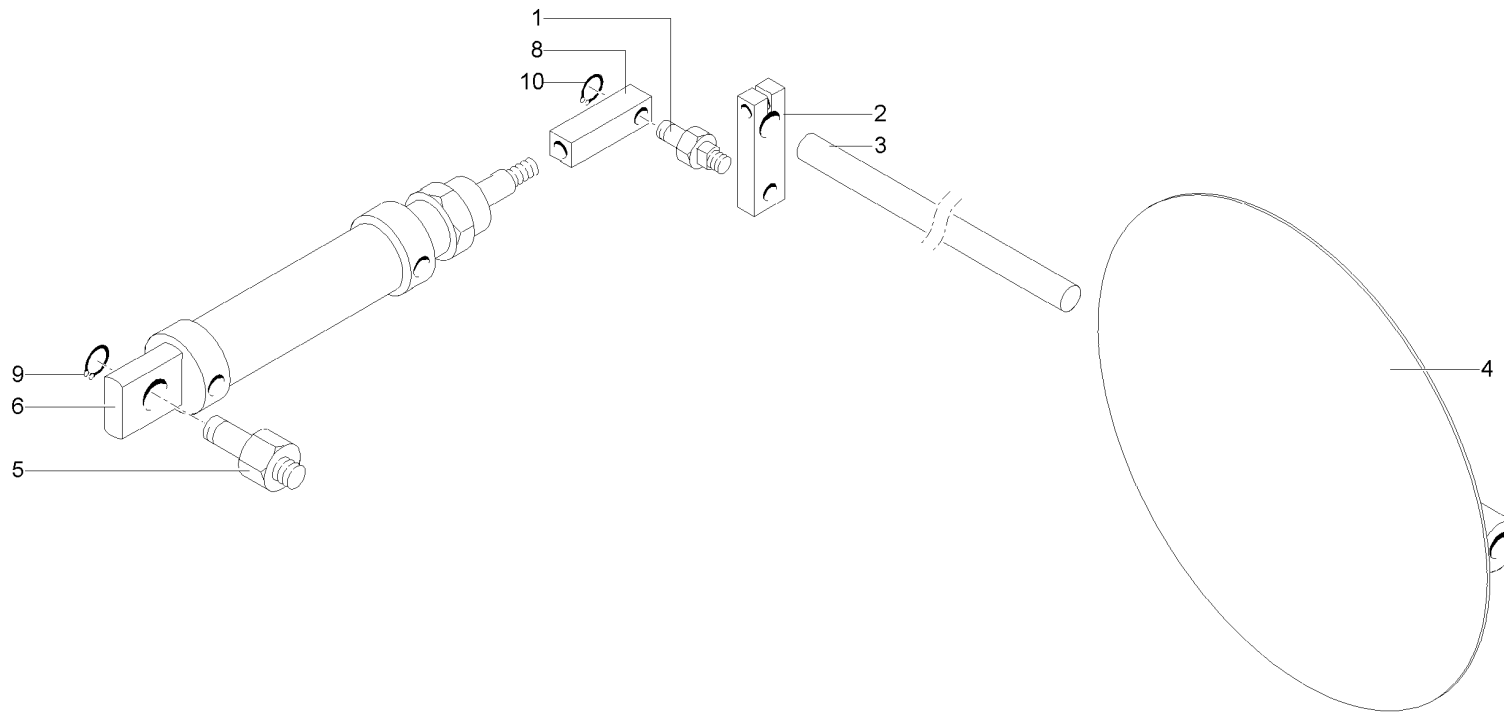
PARTS ORDERABLE

- 1 1401A0049 - PLUG
- 2 0914A0470 - PLATE 0914A0976 I



ROVER B 2.30 (5183600) - PLUG

E0280A00

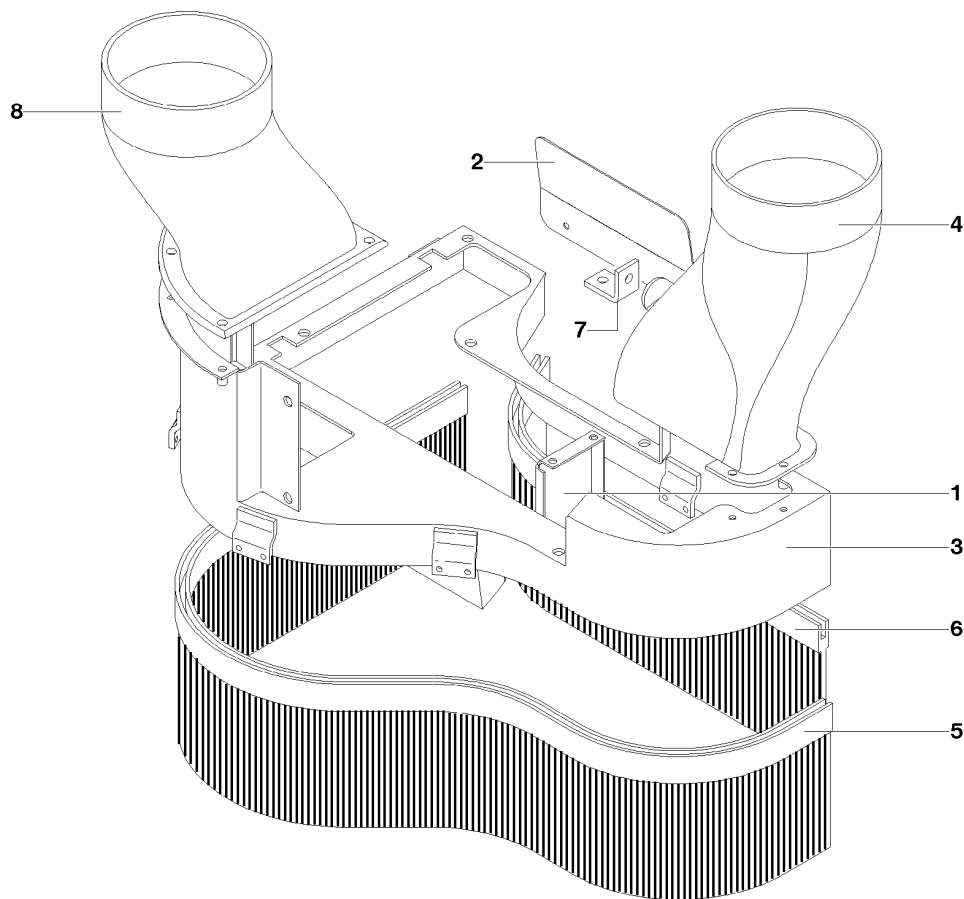


PARTS ORDERABLE	
1	0820A0350 - PIN
2	0824A0056 - LEVER
3	0814A1262 - BAR L=250
4	1224A0019 - PLATE D=200
5	082030700 - PIN
6	1415A0009 - CYLINDER 1415A0012
8	0814A1266 - BLOCK L=80MM
9	302900300 - RING E 6
10	302900200 - RING E 5



ROVER B 2.30 (5183600) - SUCTION

G0087A02



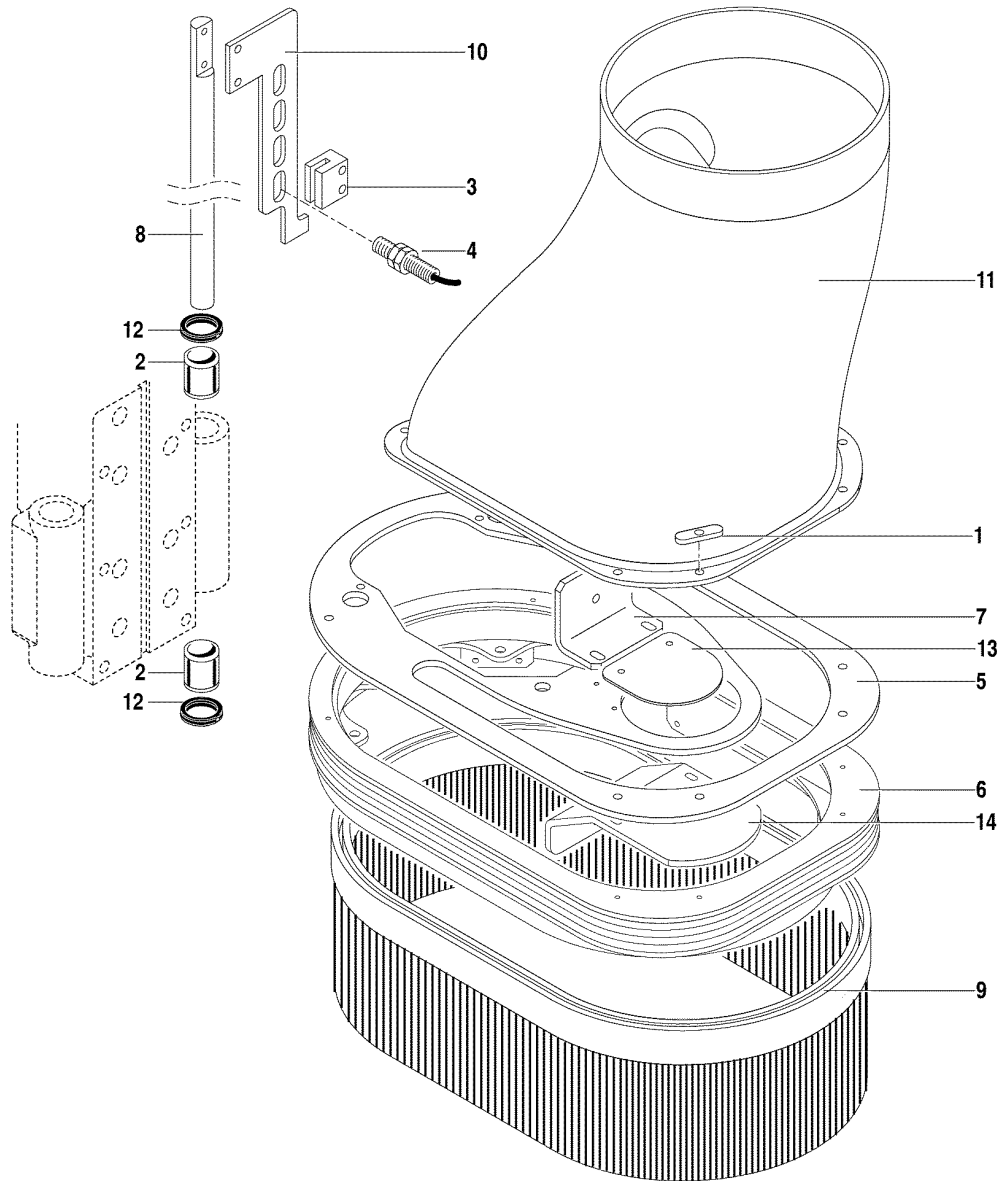
PARTS ORDERABLE

- 1 1208A1621 - CASING
- 2 1208A1748 - CASING
- 3 1212A0659V - BOX VEDI RM 05/0056
- 4 1412A0056 - SUCTION MANIFOLD
- 5 1432A0304 - BRUSH VEDI RM 05/0056
- 6 1432A0305 - BRUSH VEDI RM 05/0056
- 7 0814A1267 - PLATE
- 8 1412A0055 - SUCTION MANIFOLD



ROVER B 2.30 (5183600) - SUCTION

G0126A00

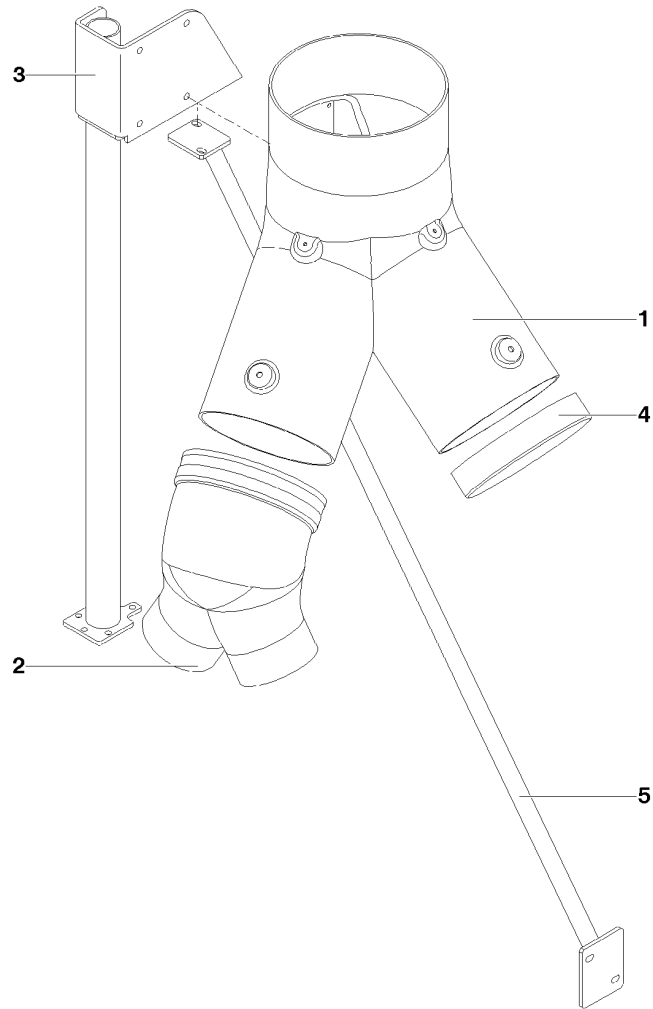


PARTS ORDERABLE	
1	0814A1104 - WASHER
2	2002A0010 - FLEXIBLE PIPE
3	1411A0076 - GUIDE
4	2164A0355 - SENSOR
5	1214A0700V - PLATE 1705A0163
6	1608A0035 - BELLOWS VEDI RM 05/0056
7	1205A1003 - PLATE
8	0814A1247 - BAR
9	1432A0301 - BRUSH VEDI RM 05/0056
10	1205A1272 - SUPPORT
11	1412A0054 - SUCTION MANIFOLD
12	3120A0013 - GASKET
13	1208A1473 - COVER



ROVER B 2.30 (5183600) - SUCTION

G0129A00

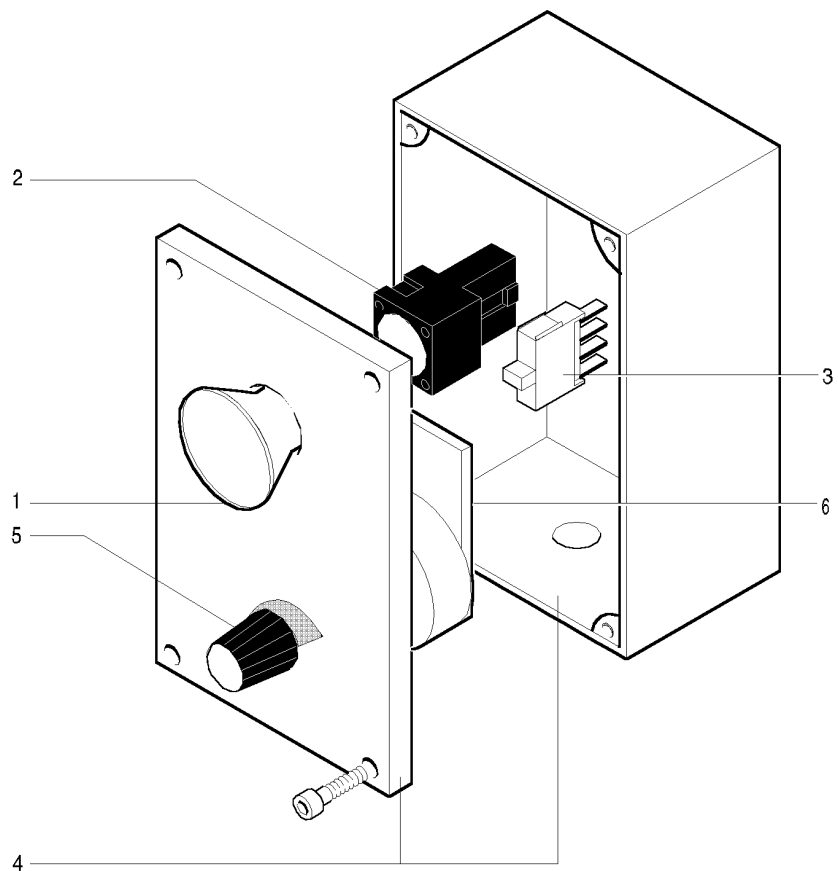


PARTS ORDERABLE	
1	1412A0059 - SUCTION MANIFOLD
2	1412A0058 - SUCTION MANIFOLD
3	1205A1377V - SUPPORT
5	1205A1298V - SUPPORT



ROVER B 2.30 (5183600) - SUCTION

G0131A00



PARTS ORDERABLE

- 1 211805300 - PUSH BUTTON 3SB20 00-1AC01 16MM SIEMENS
- 2 210607200 - BASE 3SB29 08-0AA SIEMENS
- 3 210607000 - CONTACT 3SB24 04-0C N.C. SIEMENS
- 4 2165A0003 - BOX
- 5 2160A0003 - KNOB CNI
- 6 2103A0001 - SWITCH CNI WS000442700

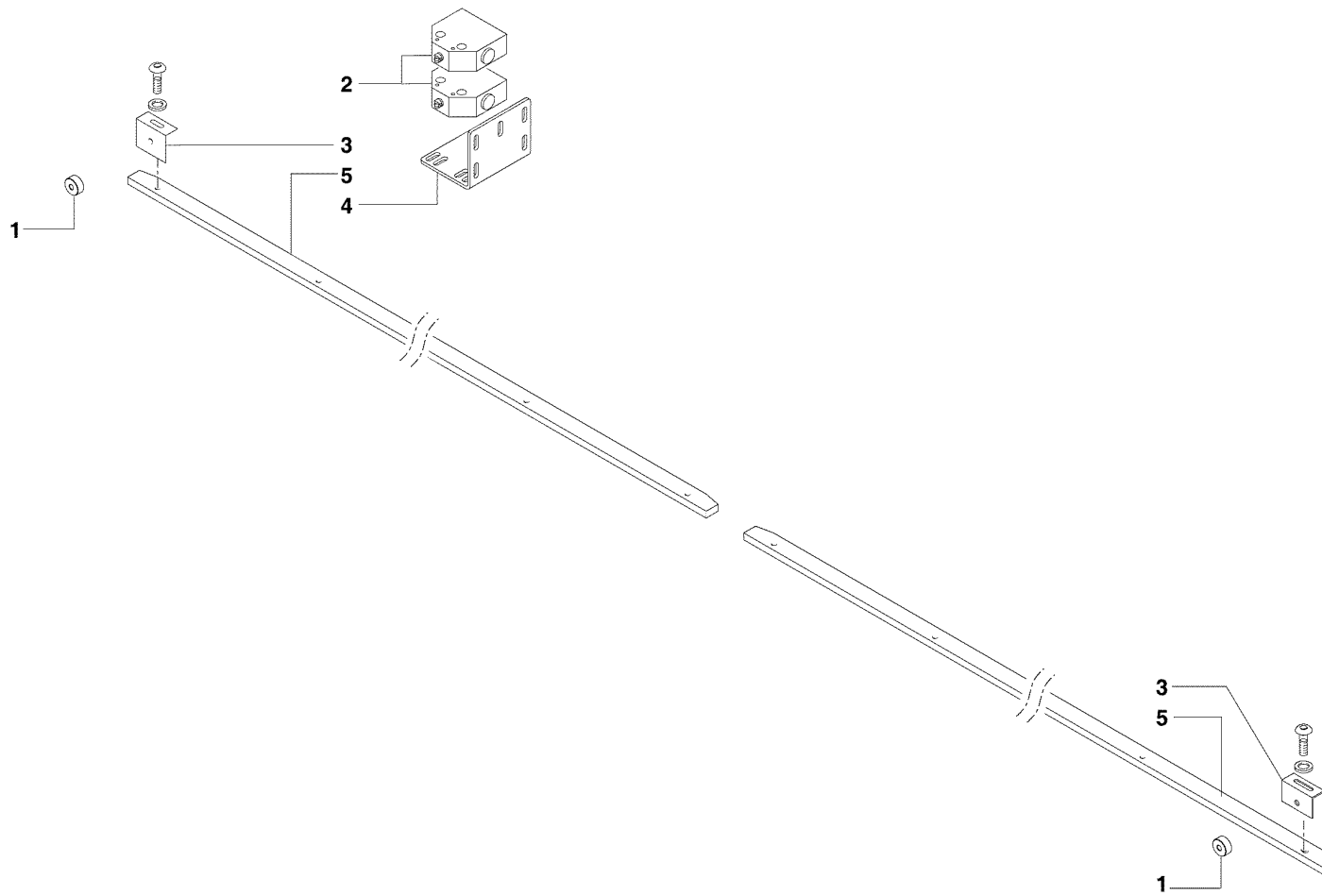


ROVER B 2.30 (5183600) - OVERRIDE

H0165A00

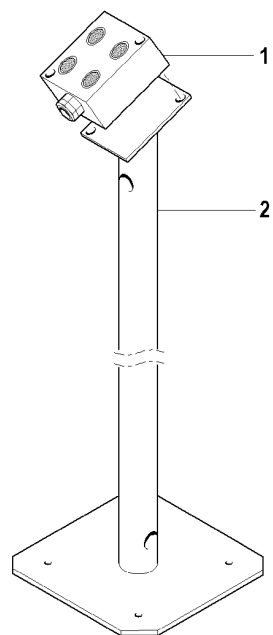
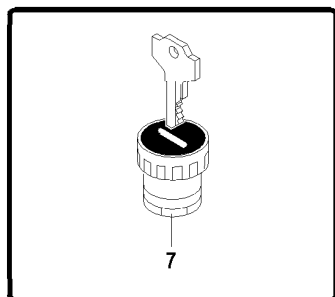
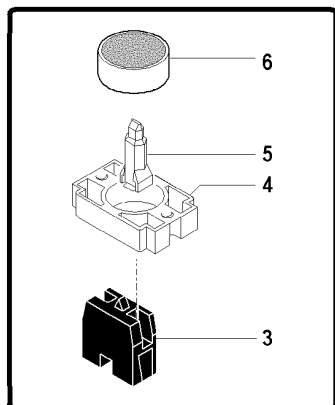
SCHEMAS

2 H0249A00 - SAFETY LIMIT SWITCH



ROVER B 2.30 (5183600) - SAFETY LIMIT SWITCH

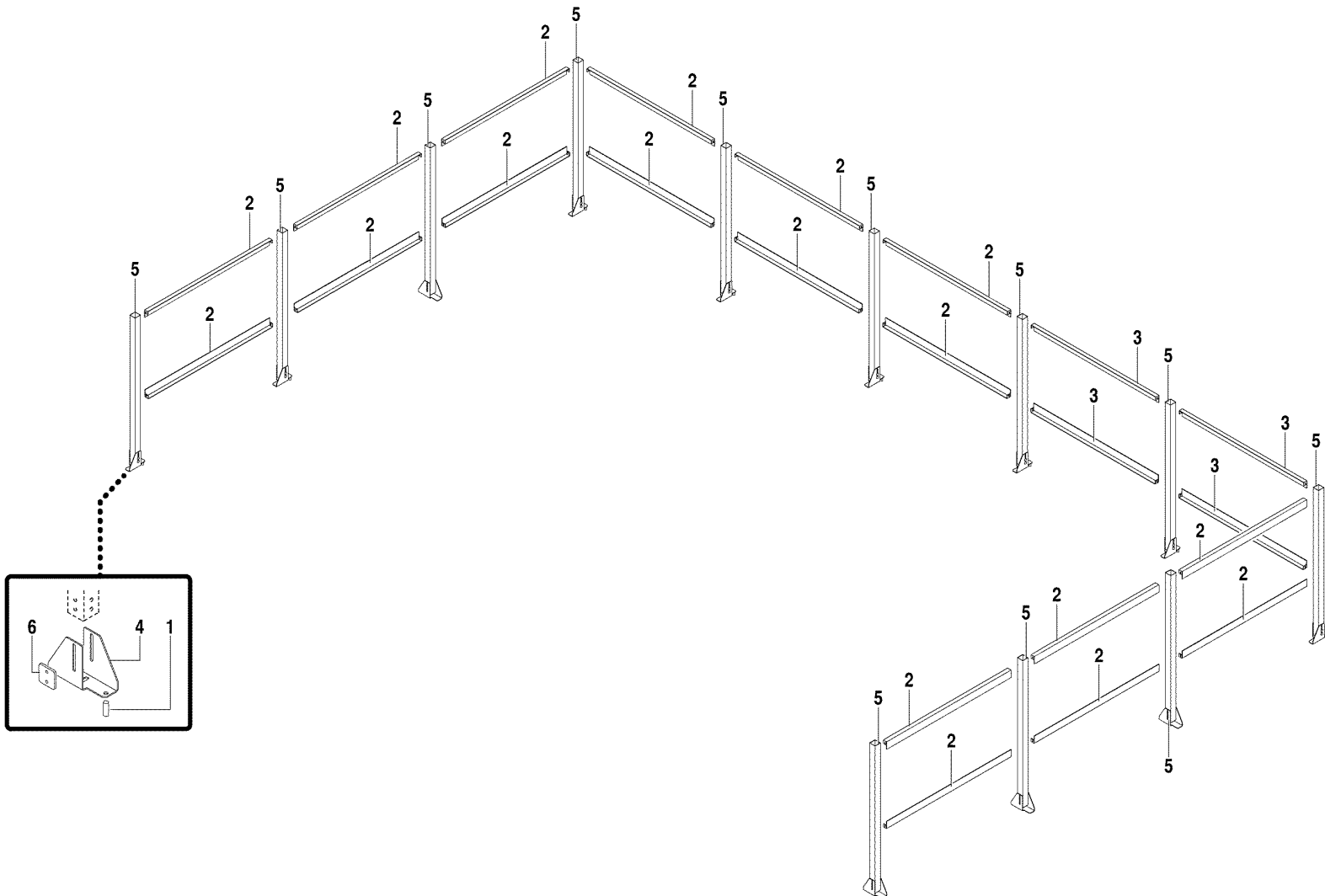
H0234A00



PARTS ORDERABLE

- 1 2165A0001 - CONNECTOR BLOCK
- 2 1205A0838V - SUPPORT
- 3 2123A0065 - CONTACT ZBE101
- 4 2123A0083 - BASE ZB4-BZ009
- 5 2119A0002 - LAMP ZBVB3 24V
- 6 2118A0103 - PUSH BUTTON ZB4BW333
- 7 2106A0093 - SELECTOR ZB4-BG4



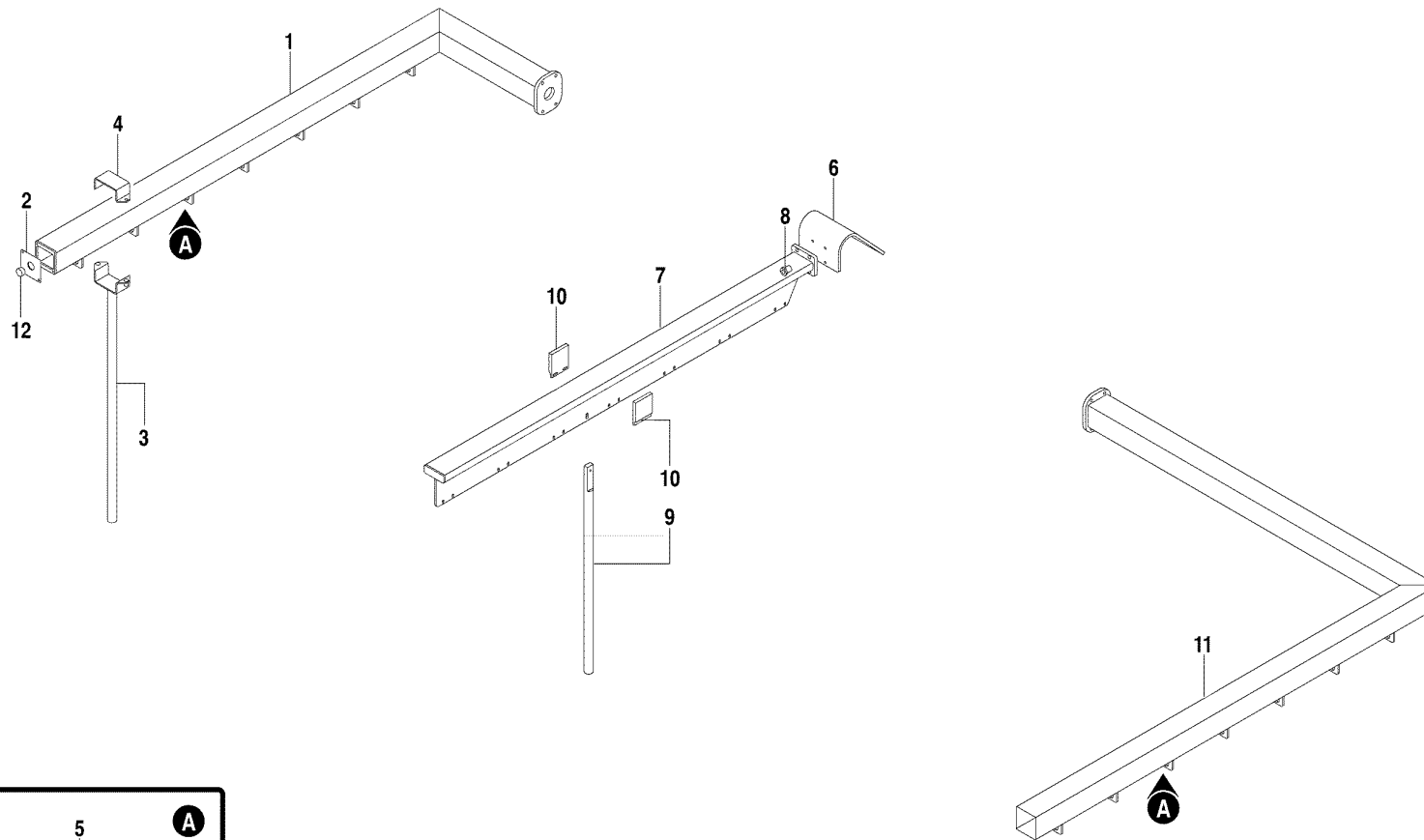


PARTS ORDERABLE	
1	201300600 - DOWEL
2	2042A0048 - SUPPORT L=1000
3	2042A0047 - SUPPORT L=1150
4	2042A0017 - FOOT
5	2042A0044 - PROFILE



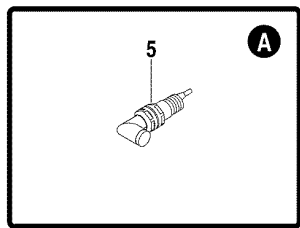
ROVER B 2.30 (5183600) - PERIMETER GUARD - STD

H0241A00



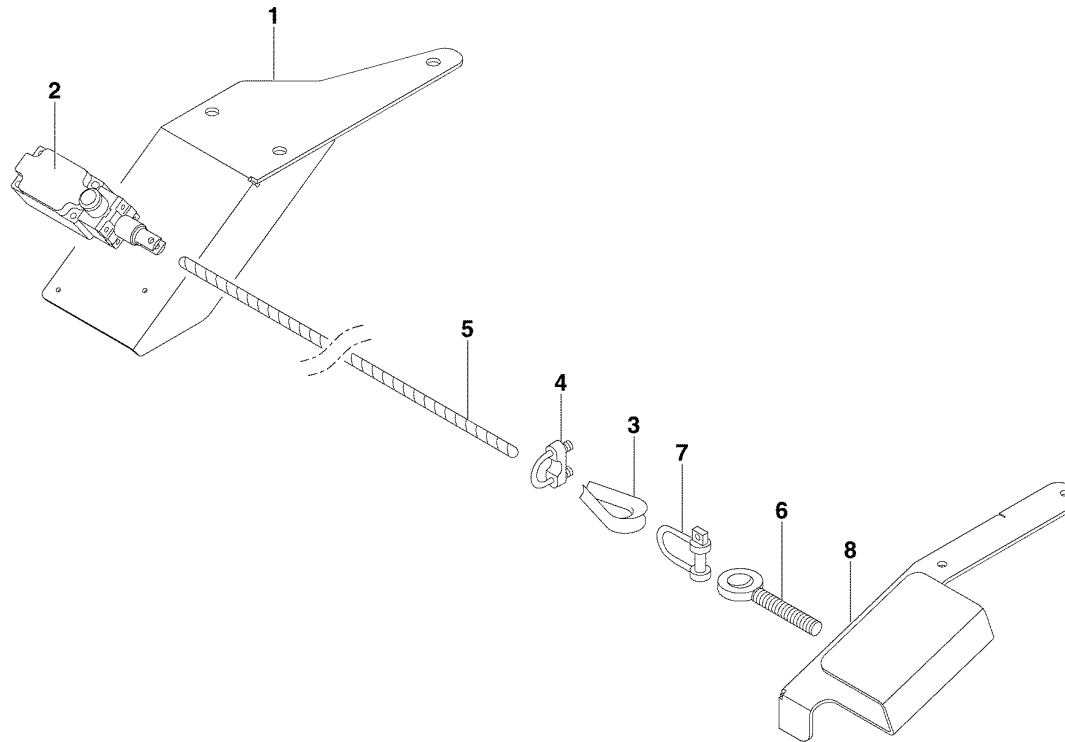
PARTS ORDERABLE

1	1205A1396V - SUPPORT
2	0908A0232 - COVER
3	1205A1075V - SUPPORT
4	1214A0624V - BRACKET
5	2164A0157 - PHOTOCELL
6	1214A0872V - PLATE
7	1205A1397V - SUPPORT
8	080425500 - NUT
9	0805A0344V - SUPPORT
9	0805A0344V - SUPPORT
10	2164A0433 - RETROREFLECTOR
11	1205A1395V - SUPPORT
12	240321600 - PLUG D=17.5



ROVER B 2.30 (5183600) - PHOTOELECTRIC CELL BARRIER

H0244A00



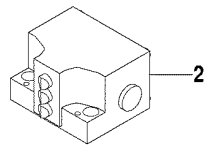
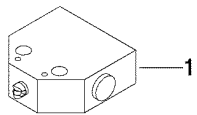
PARTS ORDERABLE

- 1 1205A1211V - SUPPORT
- 2 2104A0250 - LIMIT SWITCH 1878-M2
- 3 200800100 - THIMBLE
- 4 200901200 - TERMINAL
- 5 271500700 - EMERGENCY CORD
- 6 2007A0001 - TIGHTENER M8X40 UNI 6058
- 7 200900100 - U-BOLTS
- 8 1205A0869V - SUPPORT



ROVER B 2.30 (5183600) - EMERGENCY DEVICE

H0248A00



PARTS ORDERABLE

2 2104A0212 - LIMIT SWITCH BNS 819-
B03D12-61-12-10 VEDI TESTO NT

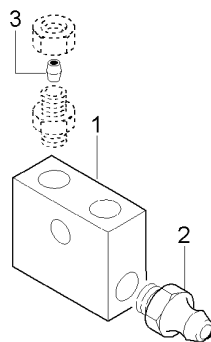


ROVER B 2.30 (5183600) - SAFETY LIMIT SWITCH

H0249A00



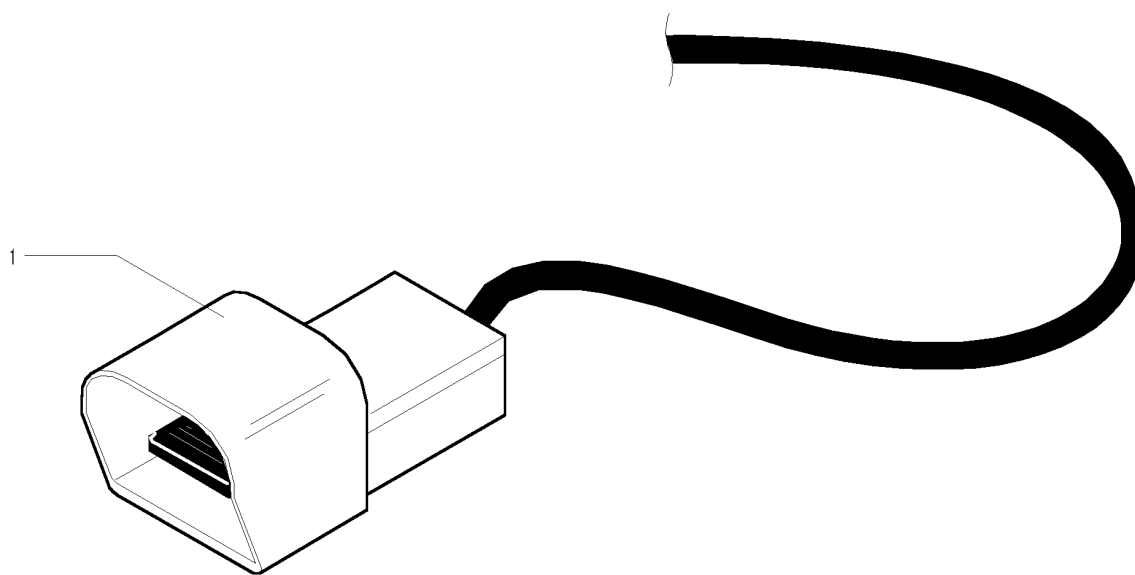
ROVER B 2.30 (5183600) - DISTRIBUTOR



PARTS ORDERABLE

- 1 091302800 - BLOCK ISO 30
- 2 260500900 - GREASING NIPPLE
- 3 2614A0003 - CONNECTOR

L0128A01



PARTS ORDERABLE

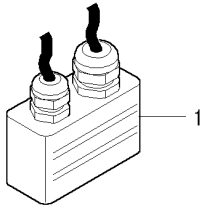
1 2104A0252 - LIMIT SWITCH 2118A0202
|

ROVER B 2.30 (5183600) - CONTROL PEDAL

M0105A00



BIESSE



PARTS ORDERABLE

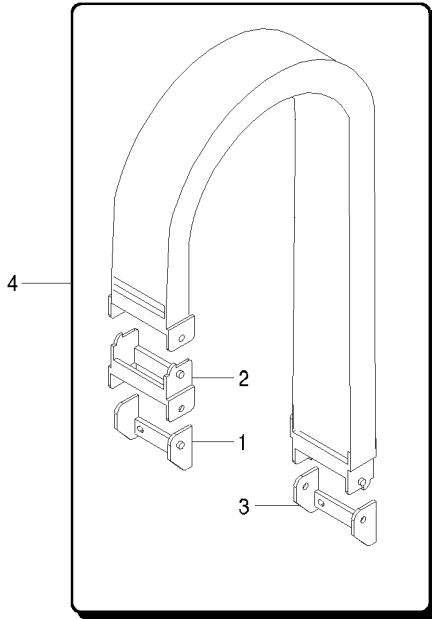
1 6480A0183 - MOUNTING PLATE M16-M20

ROVER B 2.30 (5183600) - CONNECTOR

M0131A00

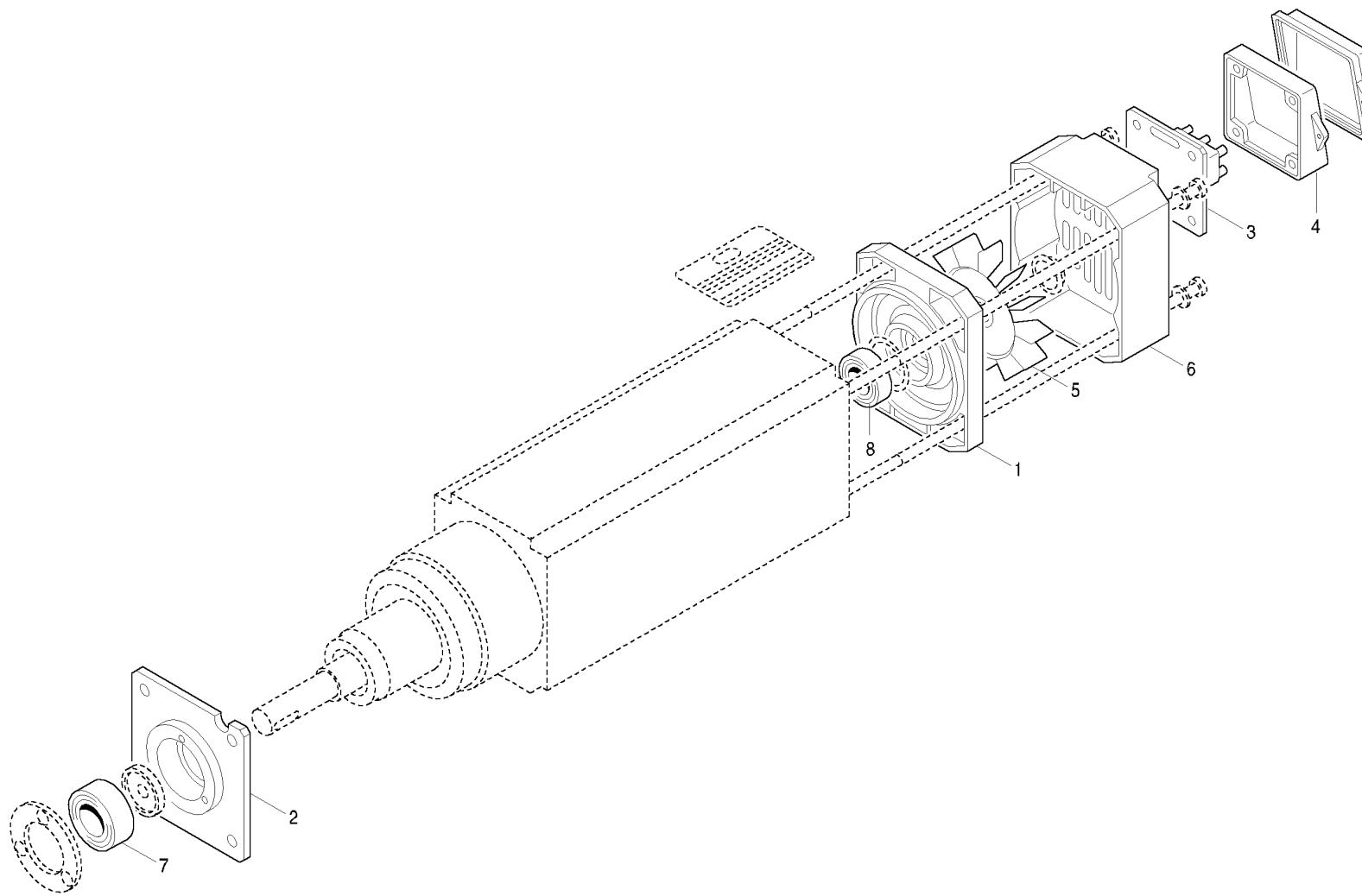


BIESSÉ



PARTS ORDERABLE	
1	2016A0011 - CHAIN TERMINAL LINK FI 0450.61 KS
2	2004A0013 - LINK 0450.61 KR94
3	2016A0061 - CONNECTOR KR94
4	6415A0101 - CABLE-HOLDER CHAIN KS0450-KR94-L=630



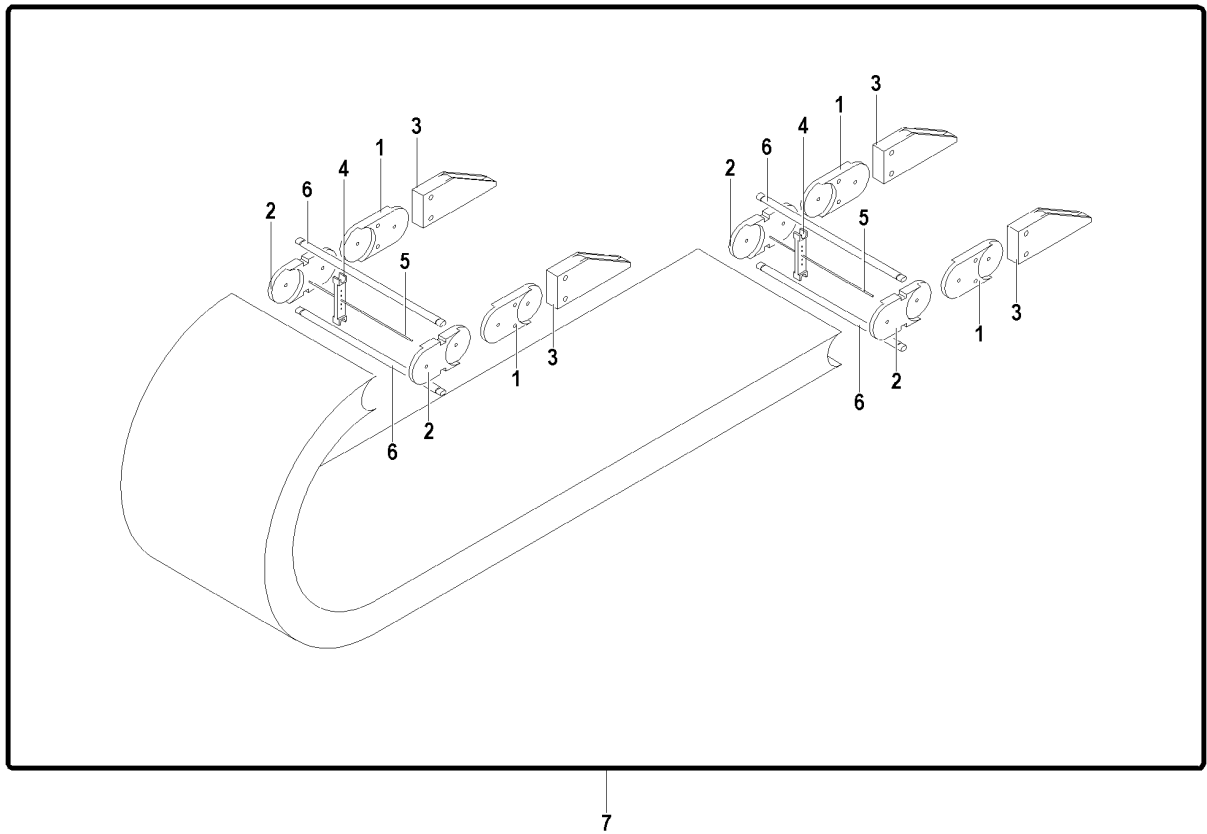


PARTS ORDERABLE	
1	2005A0006 - COVER
2	2005A0007 - FLANGE
3	2113A0100 - TERMINAL BOARD
4	2135A0053 - COVER
5	2161A0083 - FAN
6	2161A0082 - COVER
7	290401000 - BEARING
8	2909A0010 - BEARING



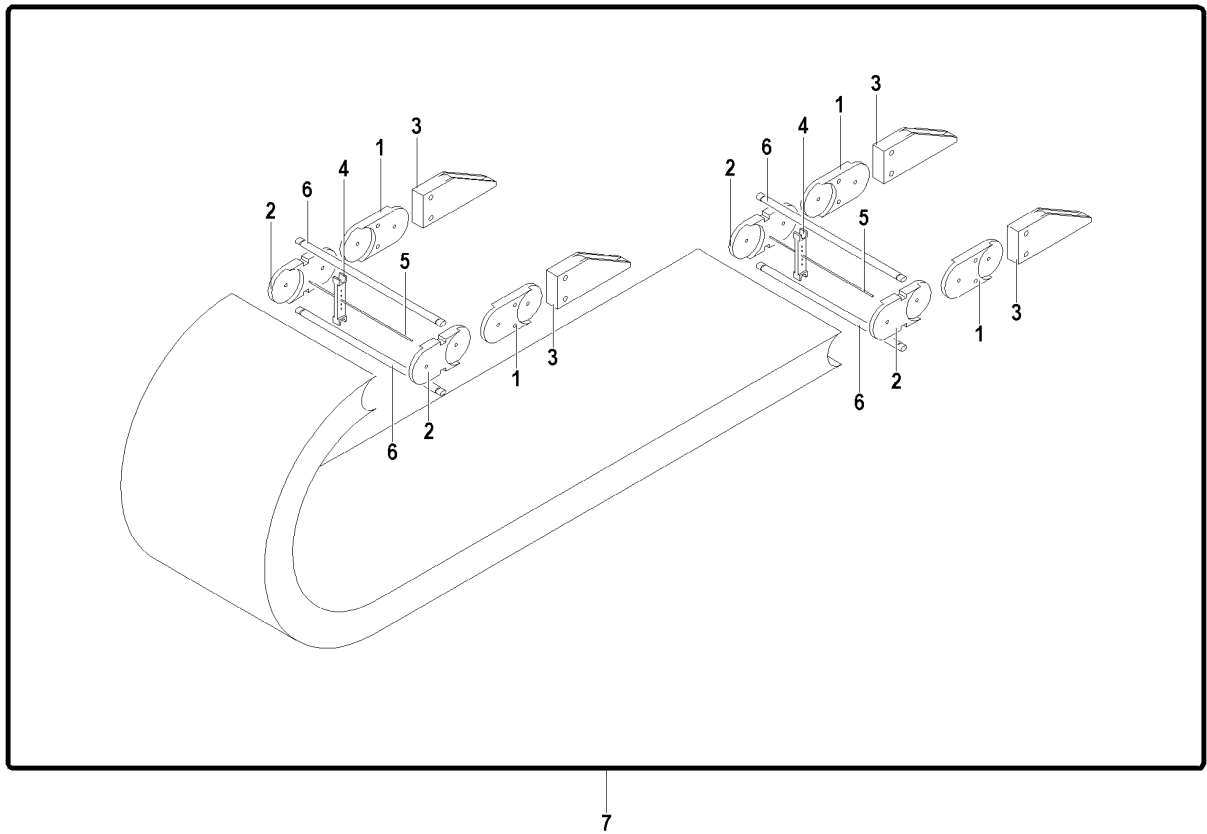
ROVER B 2.30 (5183600) - MOTOR

M0151A00



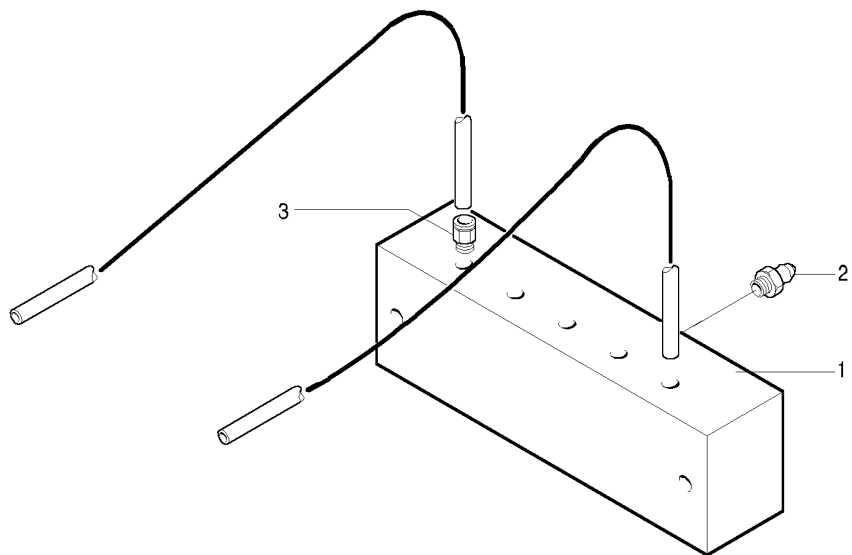
PARTS ORDERABLE	
1	2004A0228 - LINK KR145-K0650 VEDI TESTO NT
2	2004A0221 - LINK KR145-K0650
3	2016A0001 - CHAIN TERMINAL LINK K0650-KR175
4	2017A0001 - SEPARATOR K0650
5	2017A0005 - SEPARATOR K0650.130
6	2017A0051 - CROSSBAR K0650
7	6415A0249 - CABLE-HOLDER CHAIN 0650.180 RST





PARTS ORDERABLE	
1	2004A0225 - LINK KR175-K0650 VEDI TESTO NT
2	2004A0224 - LINK KR175-K0650
3	2016A0001 - CHAIN TERMINAL LINK K0650-KR175
4	2017A0001 - SEPARATOR K0650
5	2017A0007 - SEPARATOR K0650.193
6	2017A0064 - CROSSBAR K0650-BK283
7	6415A0209 - CABLE-HOLDER CHAIN KS0650.255-KR175 L=2860





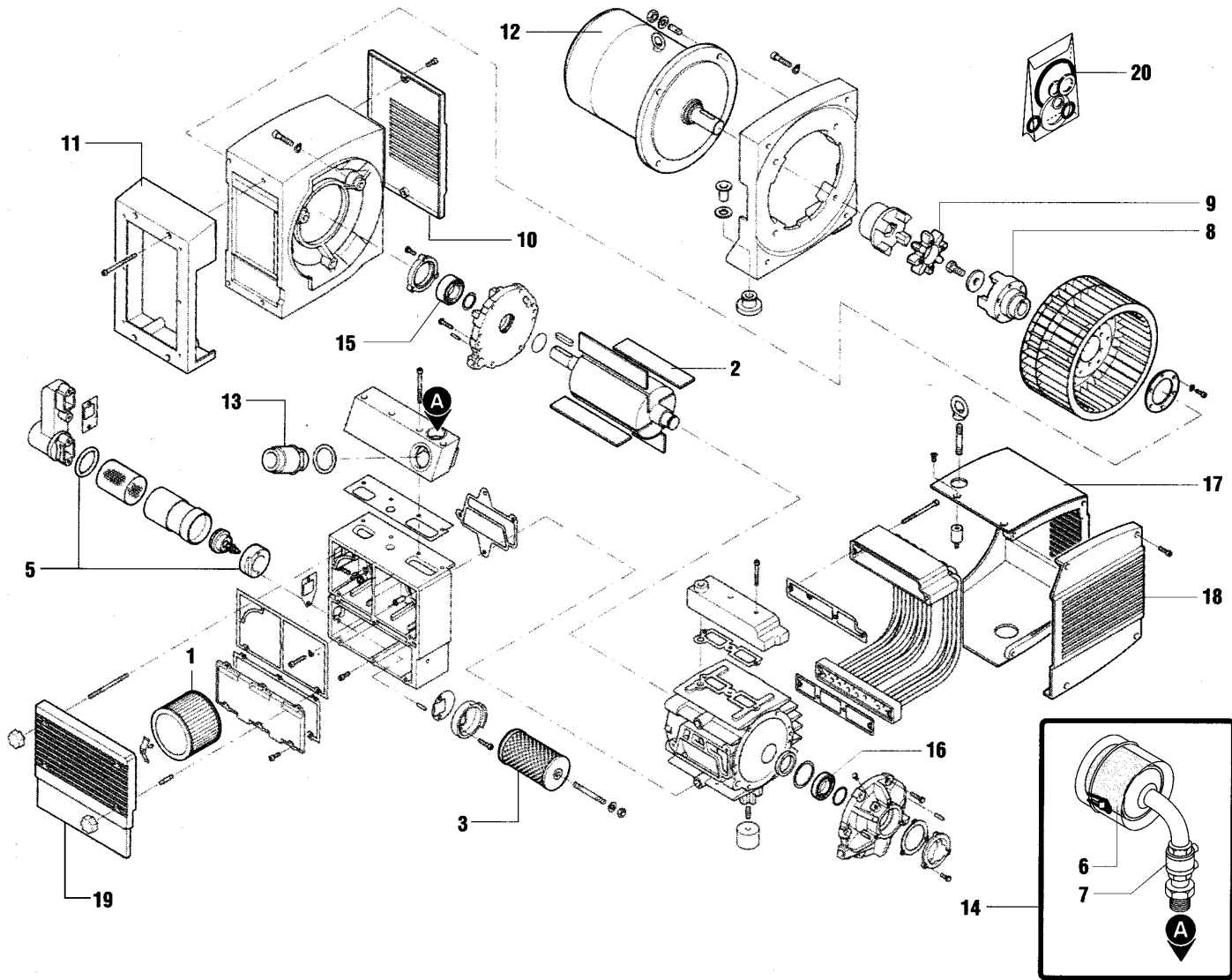
PARTS ORDERABLE

- 1 091325900 - DISTRIBUTOR
- 2 260500700 - GREASING NIPPLE
- 3 2615A0022 - CONNECTOR 2615A0066

ROVER B 2.30 (5183600) - DISTRIBUTOR

N0180A01



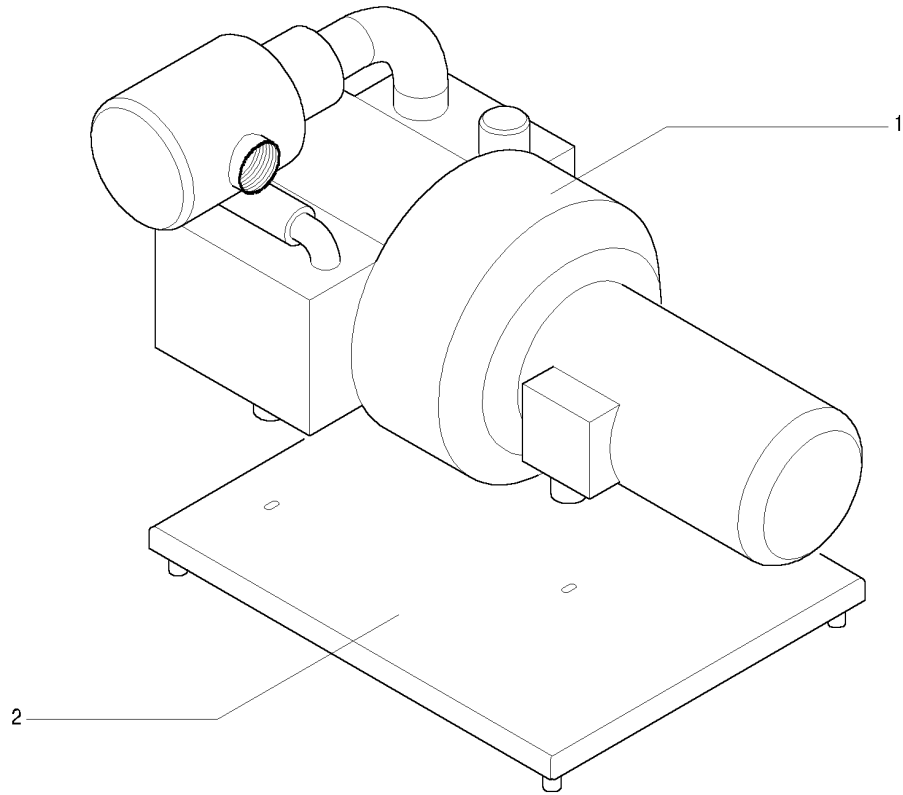


PARTS ORDERABLE	
1	750123211 - FILTER KVT 100 M3/H XUBS99909507 I
2	6414A0007 - BLADE
3	750123213 - FILTER KVT 100 M3/H 2422A0007 NI
5	2412A0057 - SILENCER
6	750123212 - FILTER KVT 100 M3/H
7	2413A0007 - VALVE
8	2161A0065 - COOLING FAN
9	2707A0030 - JOINT
10	1208A1258 - CASING
11	1208A1259 - CASING
12	2202A0027 - MOTOR
13	2413A0019 - VALVE
14	6420A0009 - FILTER
15	290400600 - BEARING 25-52-20,6
16	750123222 - BEARING
17	2003A0013 - CASING
18	2003A0014 - CASING
19	2003A0016 - CASING
20	750123188 - GASKET KIT



ROVER B 2.30 (5183600) - VACUUM PUMP - 90 M3/H

N0189A02



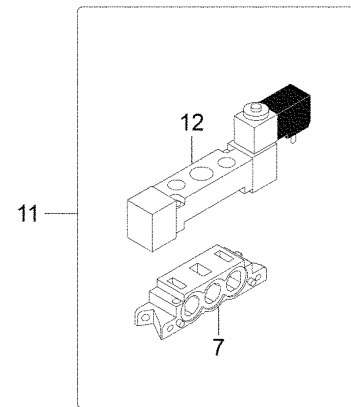
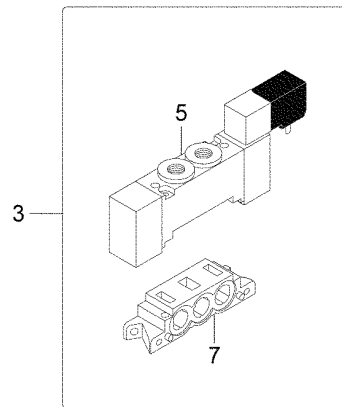
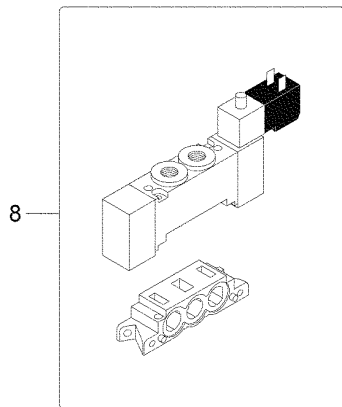
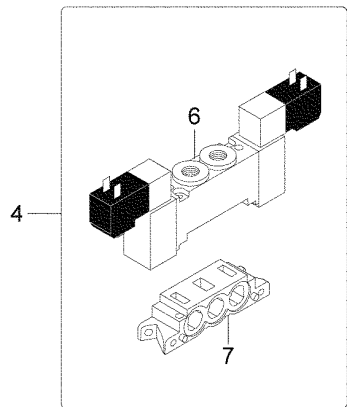
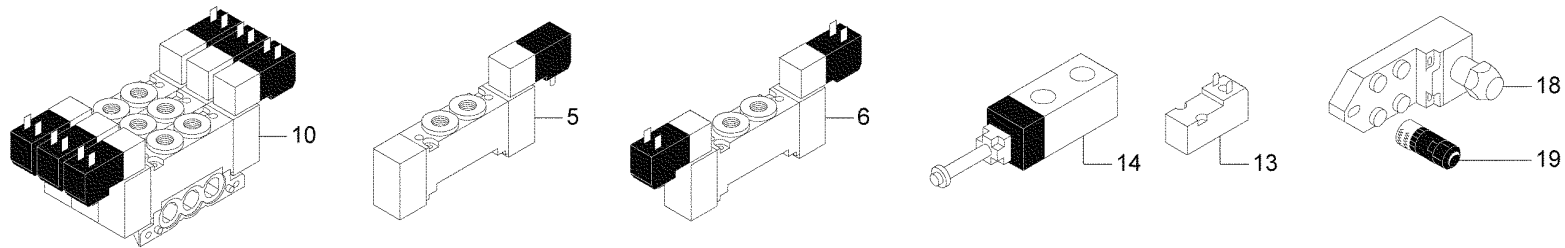
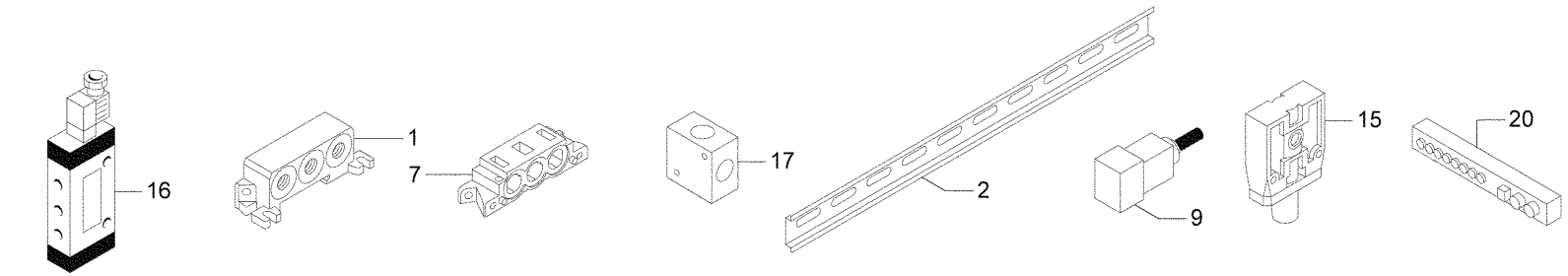
SCHEMAS

- 1 N0189A02 - VACUUM PUMP - 90 M3/H
- PARTS ORDERABLE**
- 1 6404A0023 - VACUUM PUMP 90 M3/H



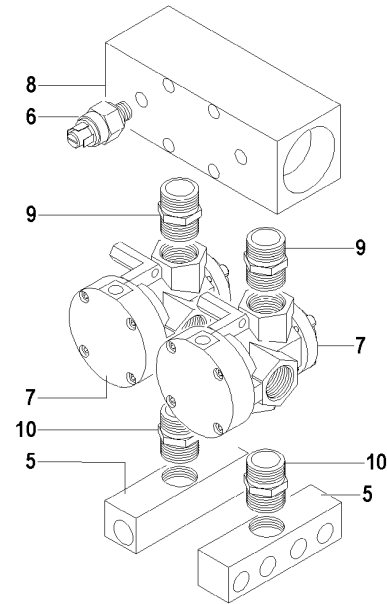
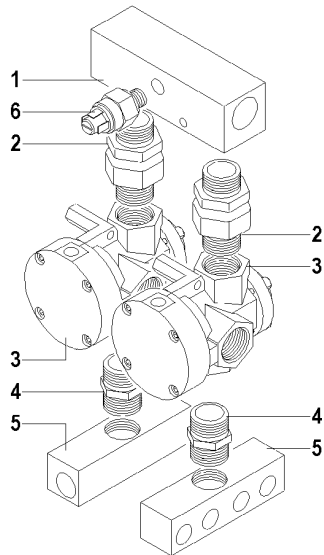
ROVER B 2.30 (5183600) - VACUUM PUMP

N0211A00



PARTS ORDERABLE	
2	214200800 - SUPPORT
6	6425A0095 - ELECTROVALVE 2435.52.00.35.88
17	2429A0010 - DISTRIBUTOR
18	2165A0094 - BOX
20	0109DE201A0 - MODULE CE201 0109DE201B0 I

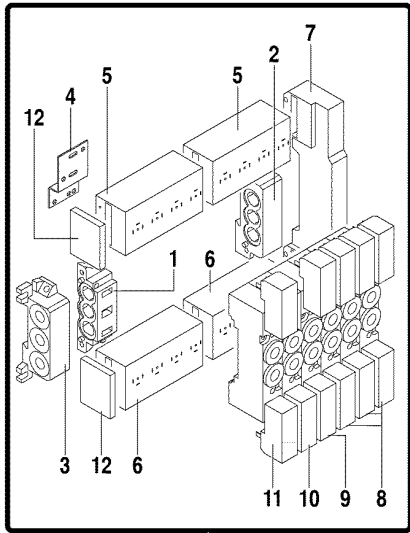




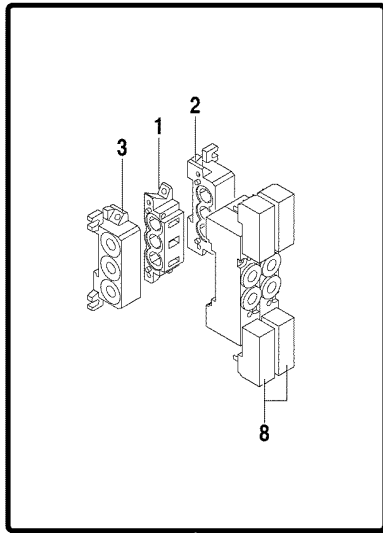
PARTS ORDERABLE

- 1 0913A0115 - DISTRIBUTOR
- 2 2450A4090 - CONNECTOR F=3/4
- 3 2304A0190 - ELECTROVALVE 3/2 NC
- 4 245511300 - NIPPLE G3/4 INCHES
2450A3491 I
- 5 0913A0116 - DISTRIBUTOR G=3/8
- 6 2426A0004 - VACUOSTAT 3.1.721 G=1/4

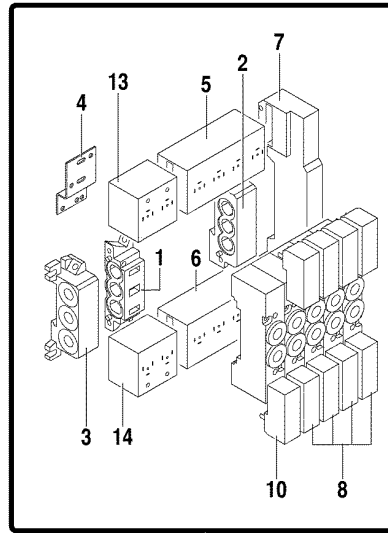




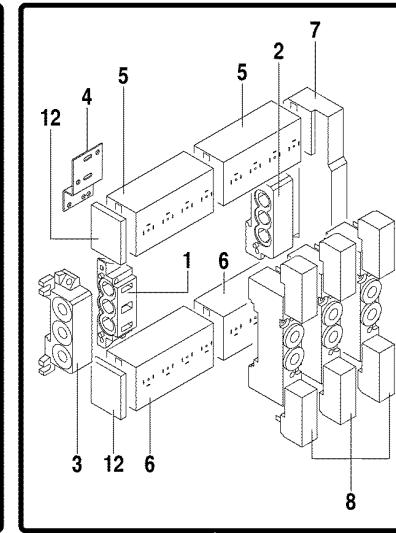
16
19



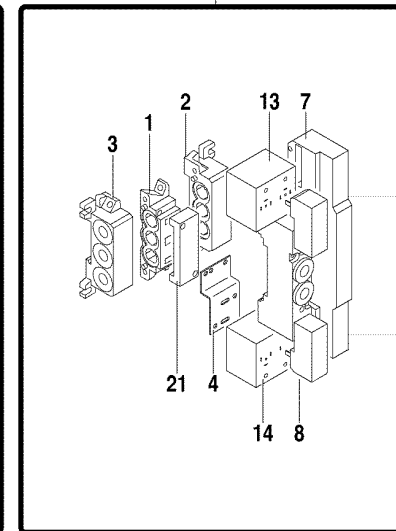
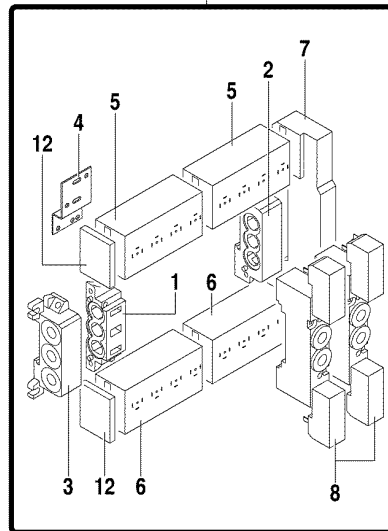
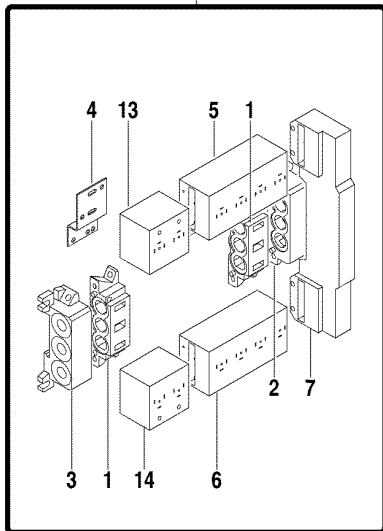
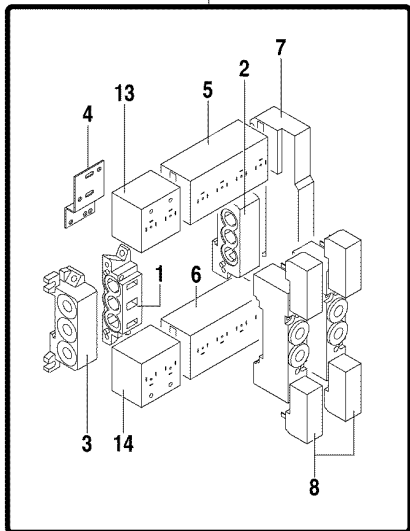
15
23



17
22



18
20



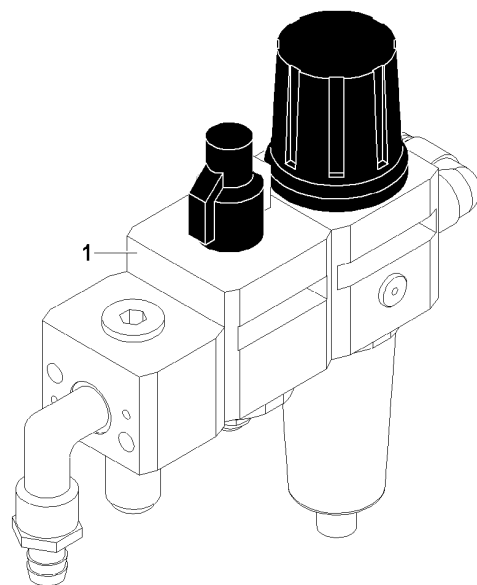
PARTS ORDERABLE

- 1 2306A0009 - BASE 2430.01
- 2 2307A0002 - FEEDER SX
- 3 2307A0001 - FEEDER DX
- 4 2138A0193 - PLATE
- 5 2138A0220 - MODULE DX 2400.04.01
- 6 2138A0219 - MODULE SX 2400.04.00
- 7 6386A0013 - CONNECTOR
- 8 6425A0095 - ELECTROVALVE
2435.52.00.35.88
- 9 6425A0096 - ELECTROVALVE
2435.53.31.35.88
- 10 6425A0094 - ELECTROVALVE
2435.52.00.39.88
- 11 6425A0097 - ELECTROVALVE
2435.62.44.35.88
- 12 2138A0192 - PLUG
- 13 2138A0218 - MODULE
- 14 2138A0217 - MODULE
- 16 6362A0279 - ELECTROVALVE GROUP
- 17 6362A0277 - ELECTROVALVE GROUP
- 18 6362A0280 - ELECTROVALVE GROUP
- 21 2306A0034 - PLATE



ROVER B 2.30 (5183600) - ELECTROVALVE

N0232A01

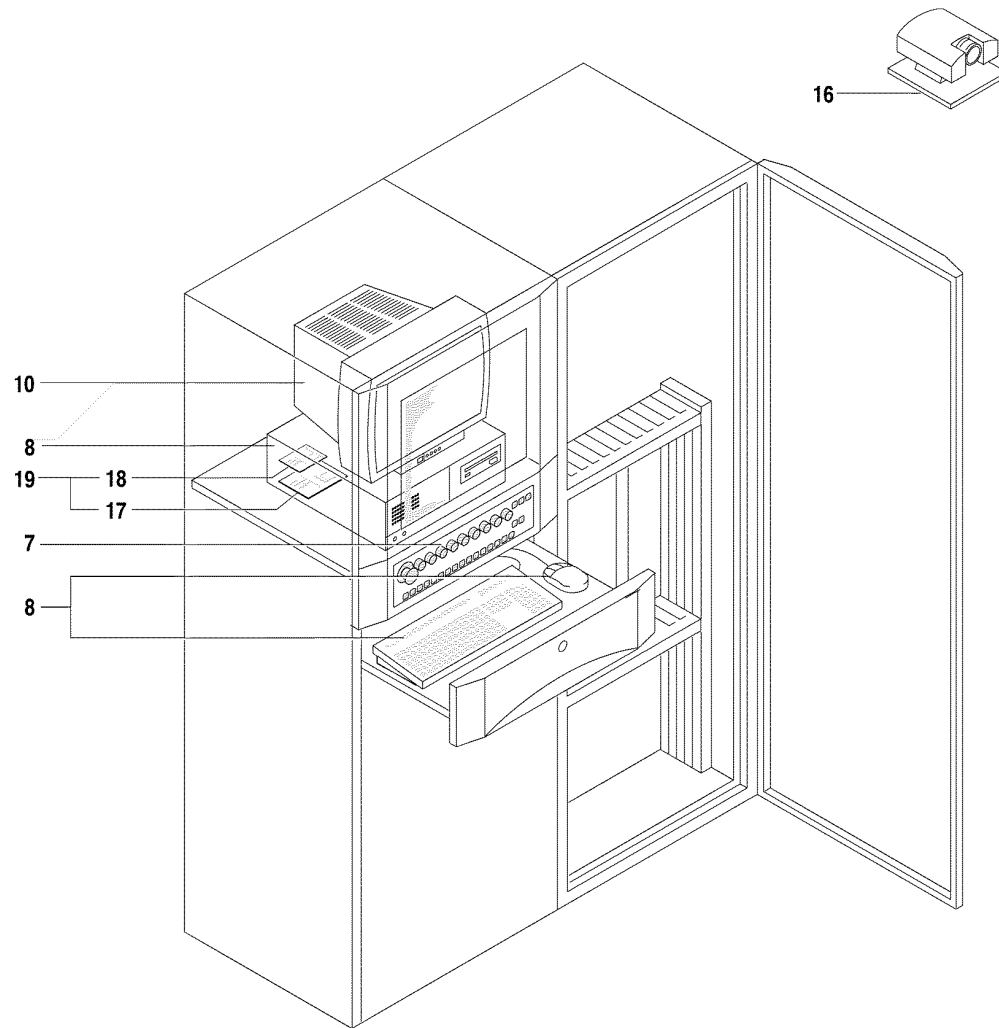


PARTS ORDERABLE
1 6420A0067 - MAIN FILTER NO CE

ROVER B 2.30 (5183600) - MAIN FILTER

N0233A00

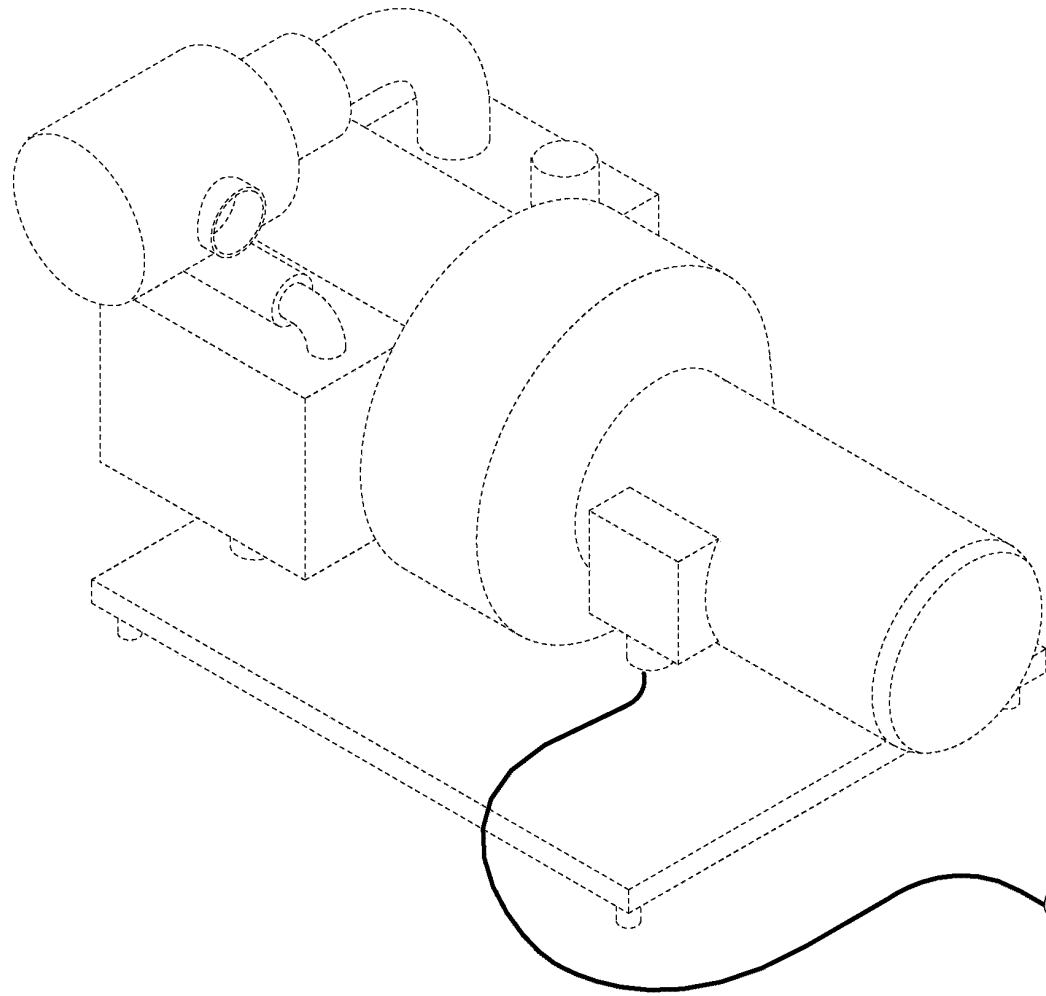




PARTS ORDERABLE

- 7 2151A0045 - KEYBOARD
- 8 6385A0167 - CONTROL MODULE UNIT
- 10 2151A0022 - MONITOR CRT 15
2151A0042 NI
- 17 0110D602A0 - CARD 0110D602A2 I
- 18 0110D601A0 - CARD 2153A0178 I
- 19 0110D600A0 - MODULE 0110D600A3
I





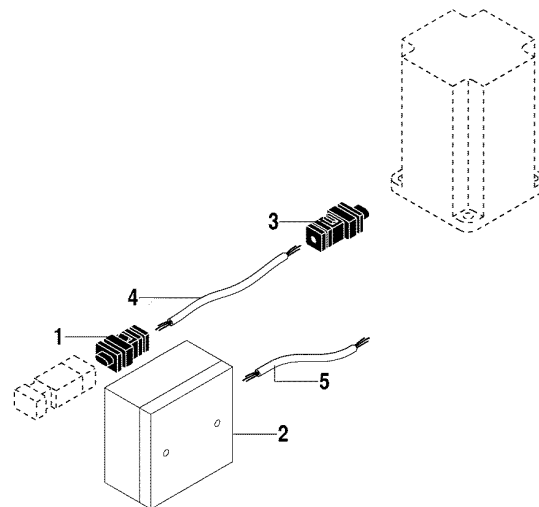
PARTS ORDERABLE

- 1 2138A0343 - INSULATING SHEATH
- 2 2138A0022 - CONTACT ELEMENT
- 3 2138A0344 - INSULATING SHEATH
- 4 2138A0345 - CONTACT ELEMENT
- 5 3039A0002 - PIN

ROVER B 2.30 (5183600) - CONNECTOR

P0028A00





PARTS ORDERABLE

- 1 2138A0319 - CONNECTOR CN1
YASKAWA
- 2 2165A0088 - CONNECTOR BLOCK
80X80X45
- 3 2138A0318 - CONNECTOR CN2
YASKAWA
- 5 2131A0312 - CABLE